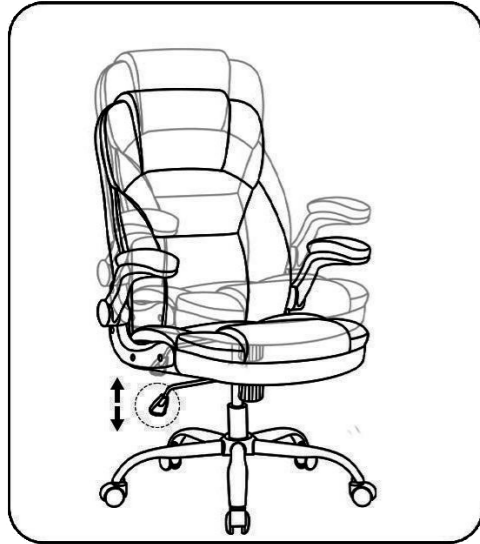


Assembly Instruction



Instructions for Use



Up and Down Adjustment





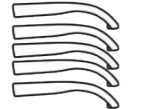



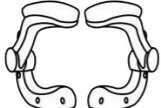
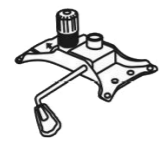





Free Tilt Tension



Strong Loading Capacity

Thanks for purchasing our products. Please read this manual before assembly. And please assemble in order. After the assembly, keep the instruction properly. Make sure all the parts are included (13 kinds in total).

Accessories List

(1) Backrest 	(2) Seat Cushion 	(3) Split Base Tube 	(4) Central Base Tube 	(5) 5 Castors 
(6) Air Rod 	(7) 2 Armrests 	(8) Base Plate 	(9) 10 Screws (M6×12MM) 	(10) 4 Screws (M6×20mm) 
(11) 8 Screws (M6×30mm) 	(12) 8 Decoration Caps 	(13) Hexagon Wrench 		

Notice

Do not stand in this chair or use the chair as a step ladder use it as a chair only. This chair is designed for one person to use at a time.

Do not use this chair unless all bolts, screws and knobs are firmly secured.

Check all bolts, screws and knobs every 90 days. Tighten them if any are loose.

Failure to follow these instructions may result in serious injury or death of yourself and people around you.

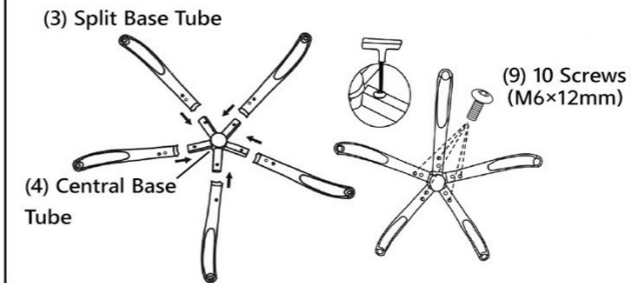
Some parts are heavy and have sharp edges, please install them carefully to avoid hurting you and the people around you.

Assembly Instruction

Please assemble in a wide and flat place.

Step 1

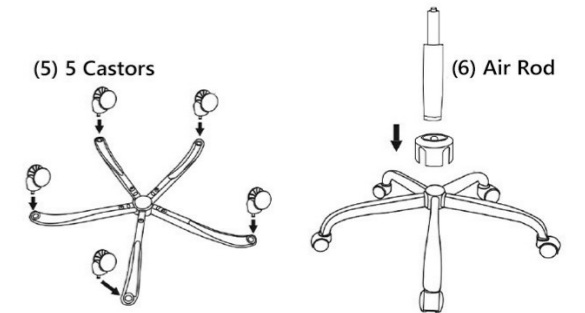
Take out Split Base Tube (3) and Central Base Tube (4). Insert Split Base Tube (3) into Central Base Tube (4) as shown. You can see there are screw holes. Align with the holes, tighten Screws M6X12mm (9) with Hexagon Wrench (13) to fix 5 Split Base Tube (3) to Central Base Tube (4). Repeat it ten times.



Step 2

Insert Castors (5) into the Split Base Tube (3). There are 5 Castors that need to be inserted. Insert Air Rod (6) into the Central Base Tube (4). Put it aside and we'll use it in Step 4.

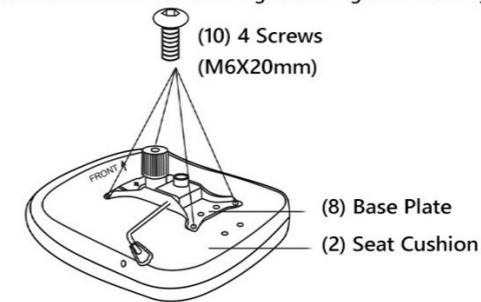
Caution: Please align all holes and screws before tightening all screws.



Step 3

Fix the Base Plate (8) to the bottom of the Seat Cushion (2). Tighten the 4 M6*20mm Screws (10) with Hexagon Wrench (13) firmly.

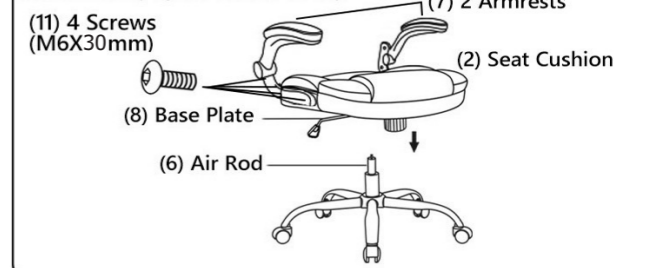
Caution: Align the direction with the "FRONT" mark for installation, half-tighten the screws first, and tighten four screws after aligning the holes to prevent the chassis from shifting and being difficult to tighten.



Step 4

Insert the Air Rod (6) into the step 3' Base Plate (8) as shown. Press the Seat Cushion (2) from top to bottom, and use your whole body's strength to insert it firmly. Take out the 2 Armrests (7), tighten the 4 M6*30mm Screws (11) with Hexagon Wrench (13) and fix the 2 Armrests (7) to the two sides of the Seat Cushion (2).

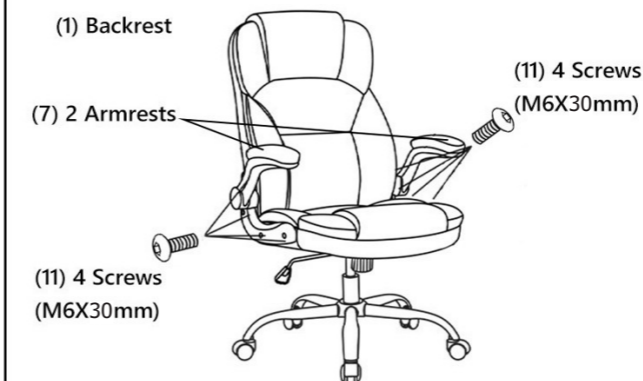
*Caution: Align the 4 screws with the holes until they are screwed in halfway, then after the backrest has been inserted between two armrests, fasten all the screw holes and finally tighten them all the way.



Step 5

Insert the Backrest (1) between the 2 Armrests (7), align the holes then press the armrests in and fasten them, then tighten with 4 M6*30mm Screws (11).

*Caution: As the chair is heavy, it is better for two people to put the backrest into the middle of the armrests together.



Step 6

Cover the screw holes on both sides of 2 Armrests (7) with 8 Decoration Caps (12), the assembly is complete now.

