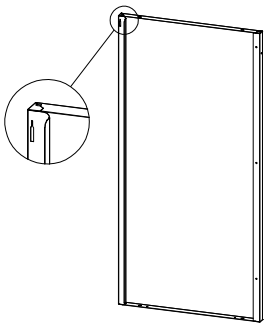
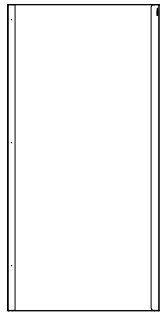


**Important!**

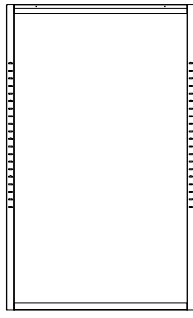
Thank you for your purchase. Please open it carefully.  
If you encounter any problems, please contact us.  
Service tenet - to enable customers to enjoy  
high-quality service.



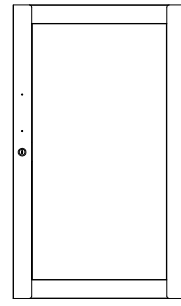
A\*1



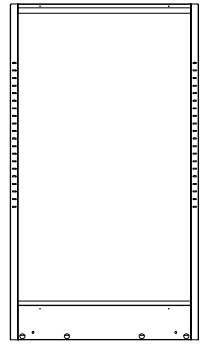
B\*1



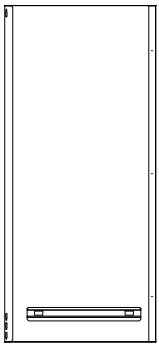
C\*1



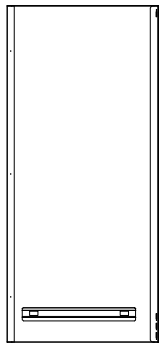
D\*2



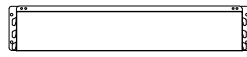
W\*1



U\*1



V\*1



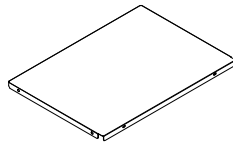
K\*1



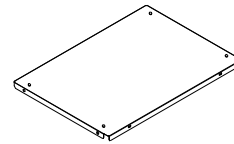
H\*2



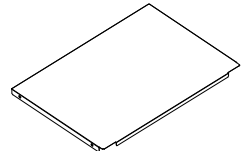
L\*2



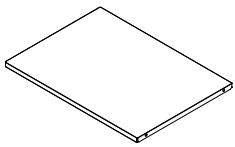
T\*1



E\*1



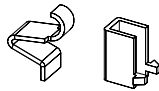
G\*1



F\*4



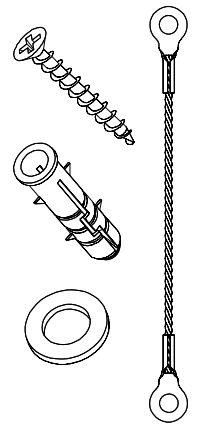
M\*47



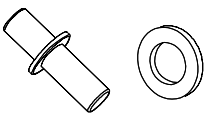
Q\*16



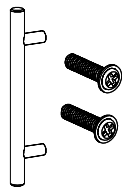
X\*6



R\*1



N\*2

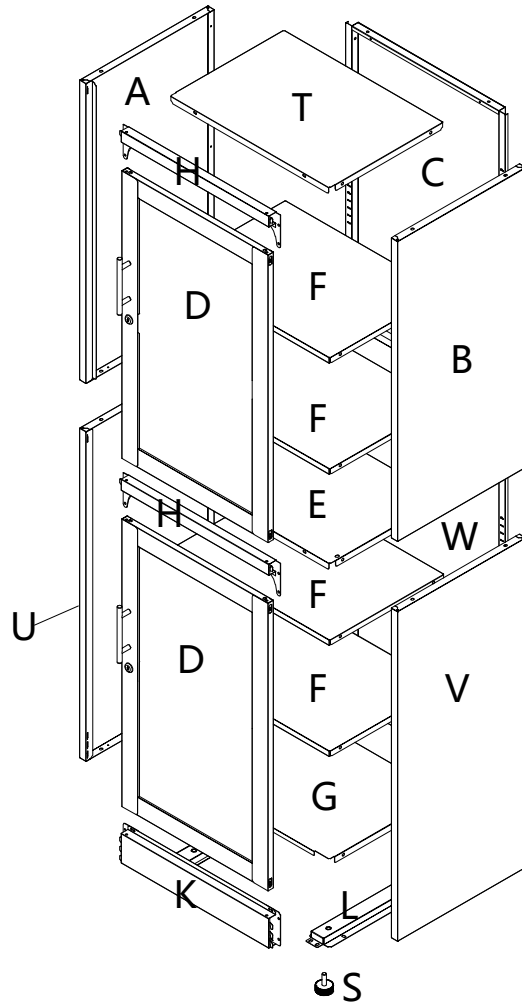


O\*2

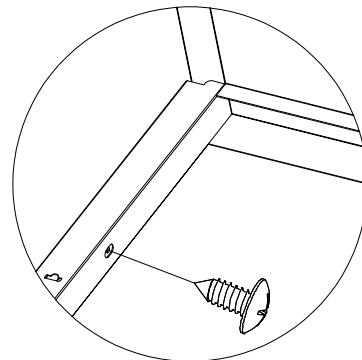
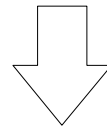
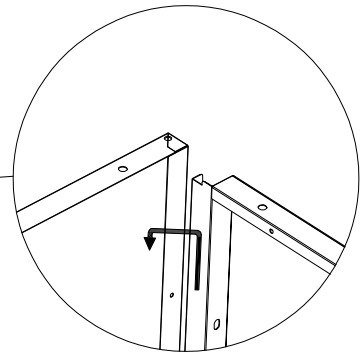
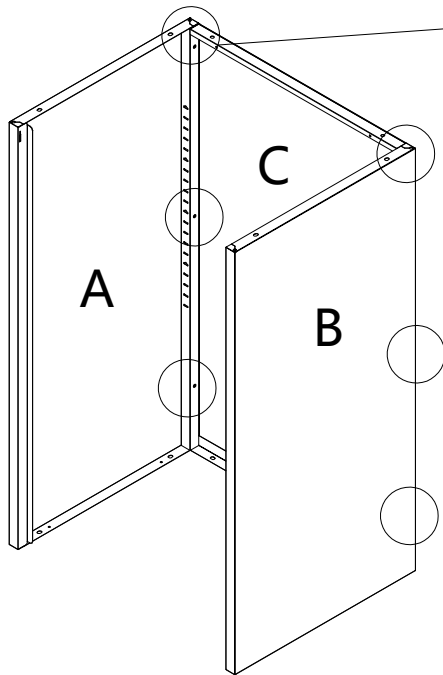


S\*4

1

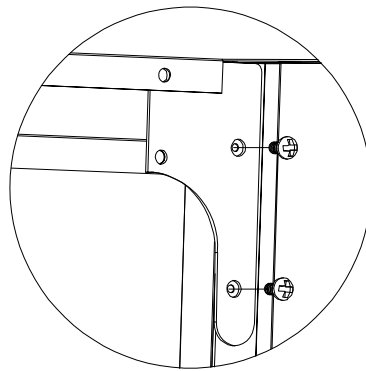
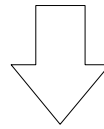
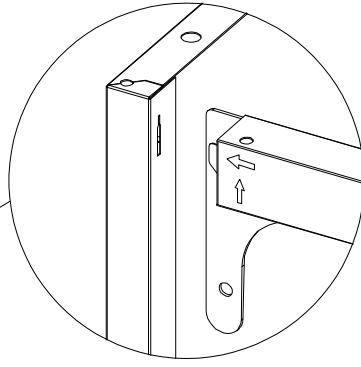
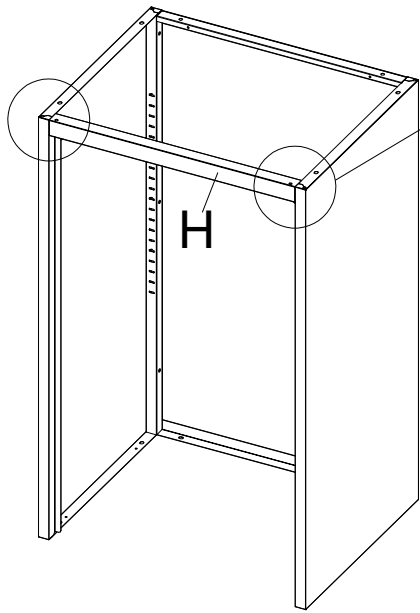


2

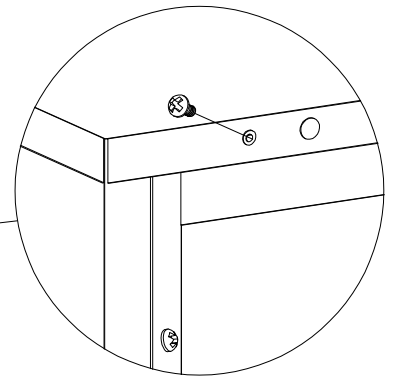
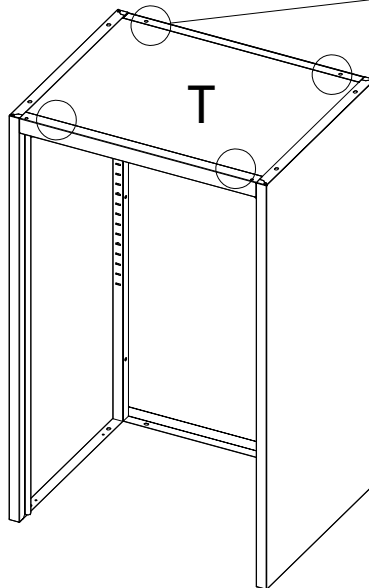
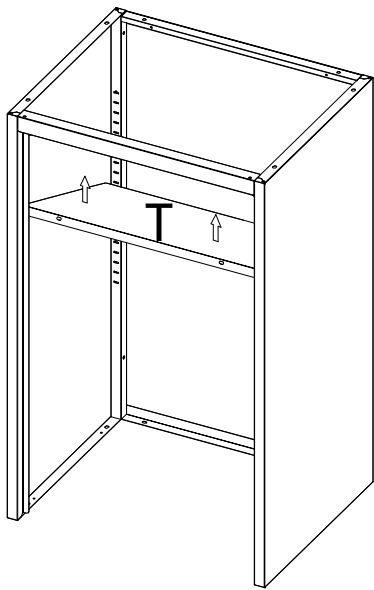


M\*6

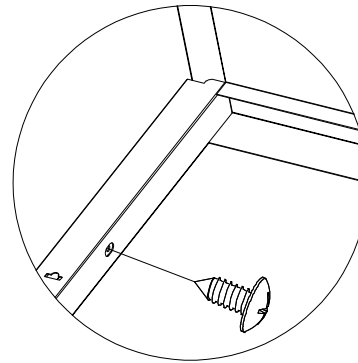
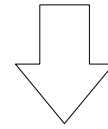
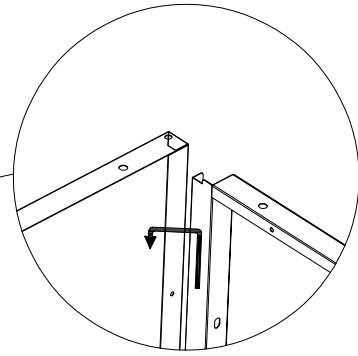
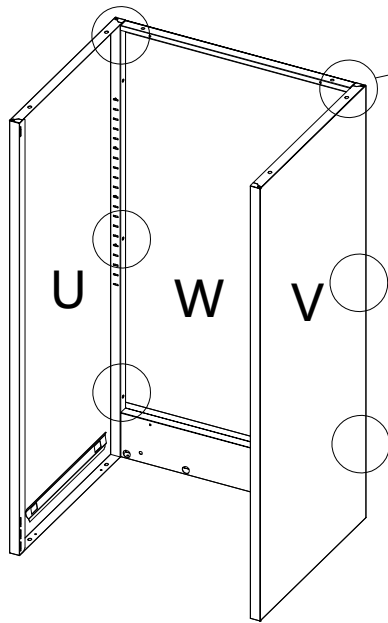
3



4

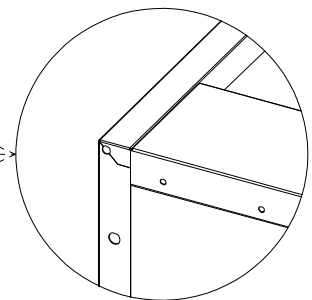
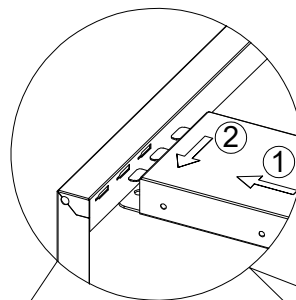
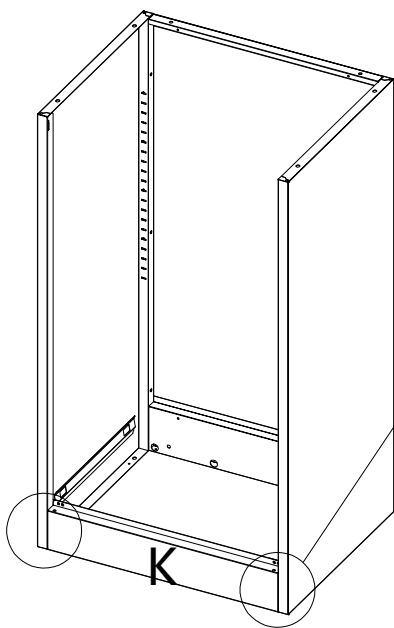


5

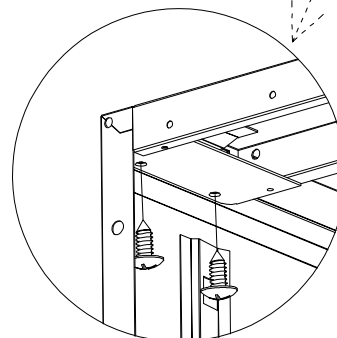


M\*6

6

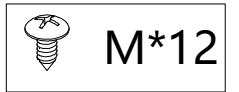
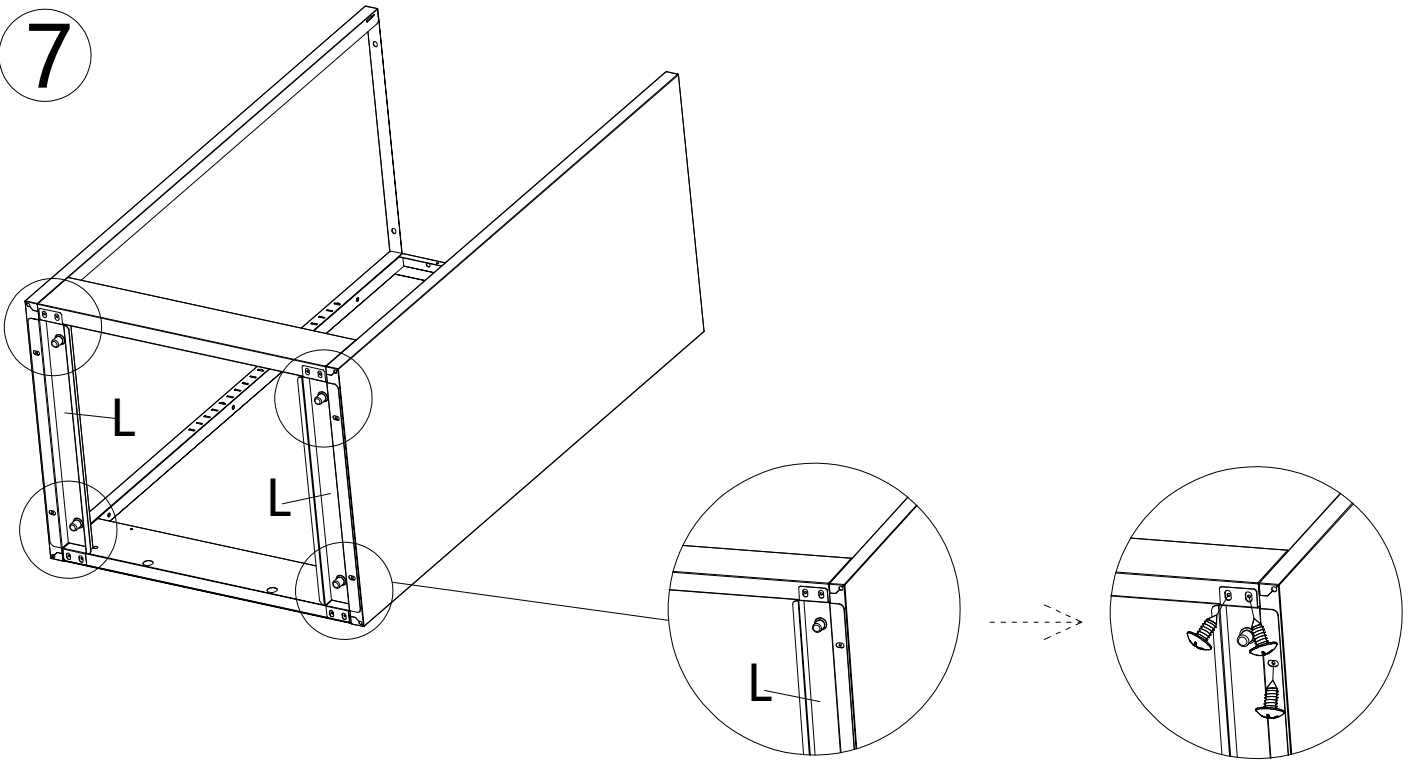


Snap the three buckles on either side of Part K into the three holes in both side panels and then push it down so that it snaps into the bottom of the cabinet.

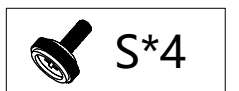
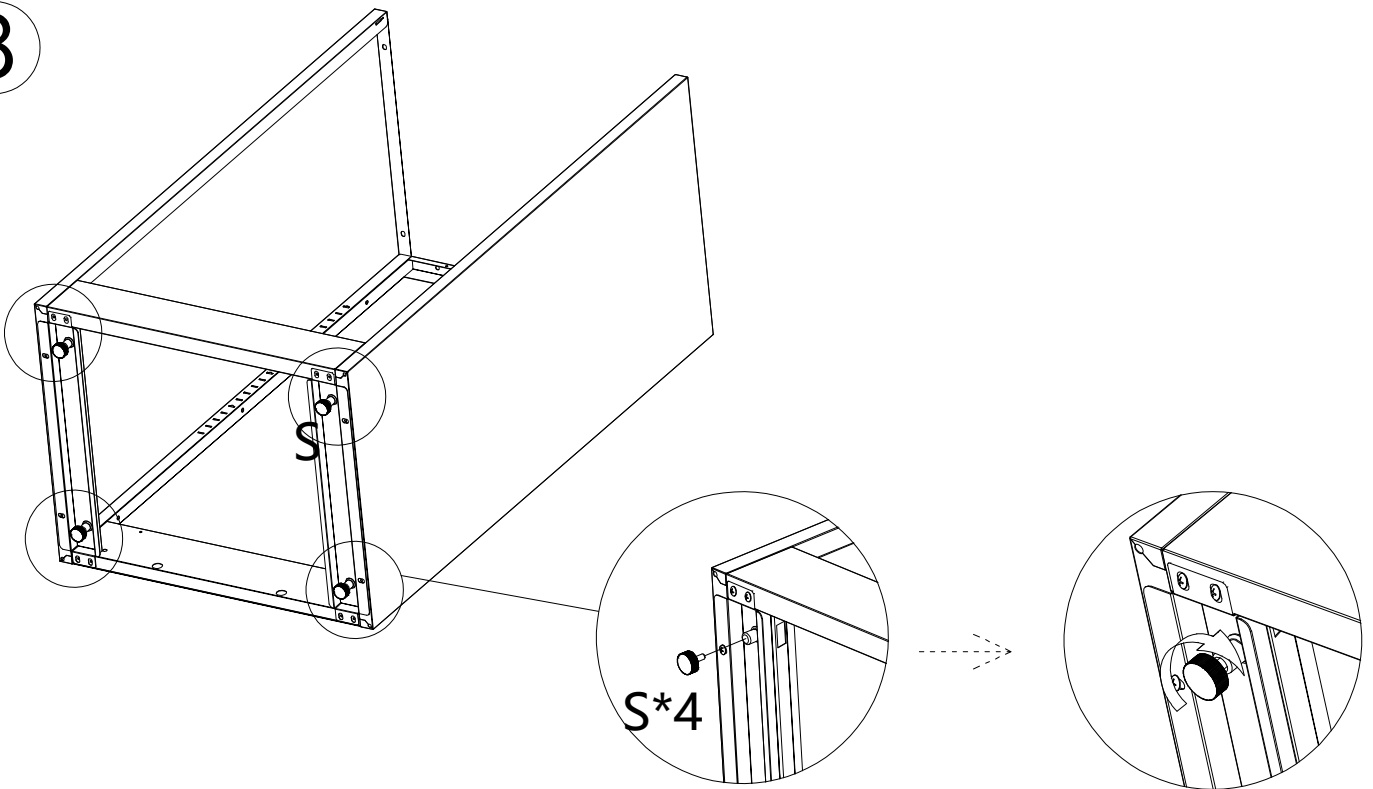


M\*4

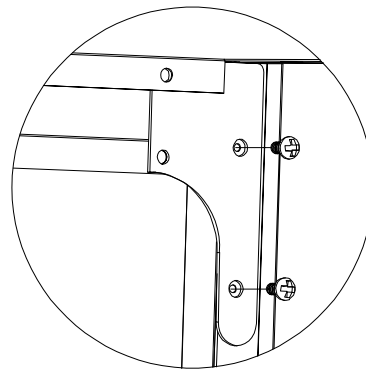
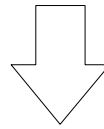
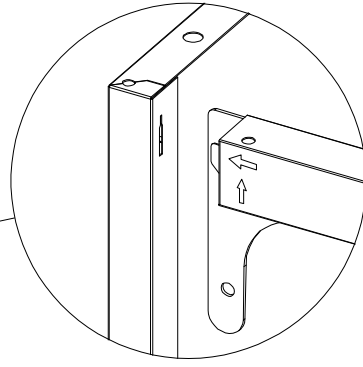
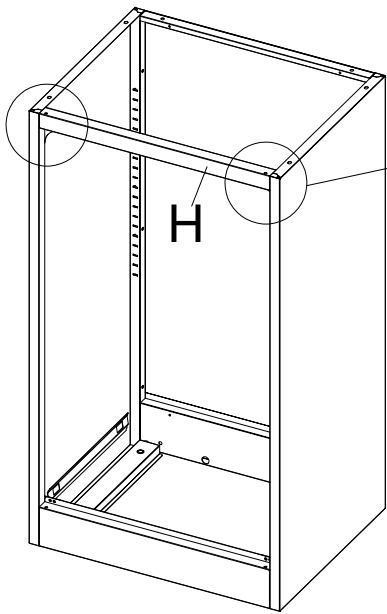
7



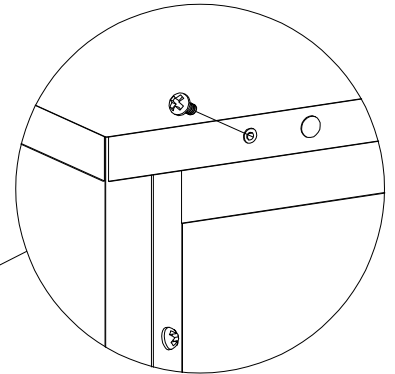
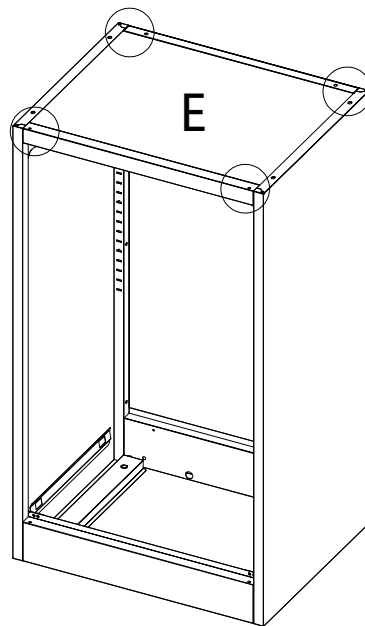
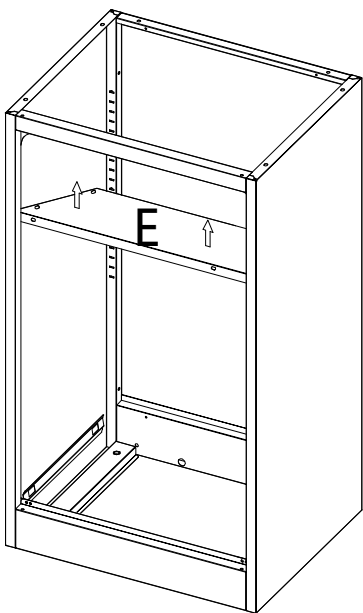
8



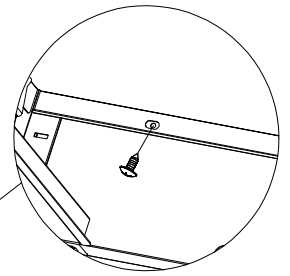
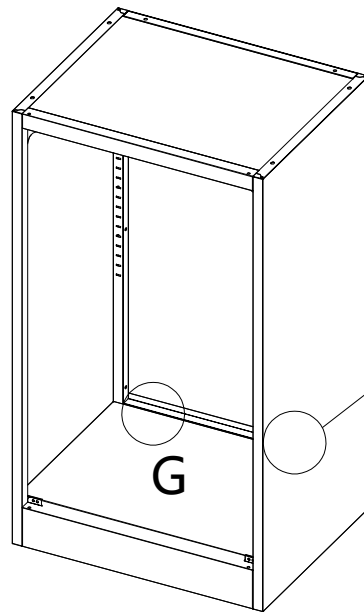
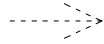
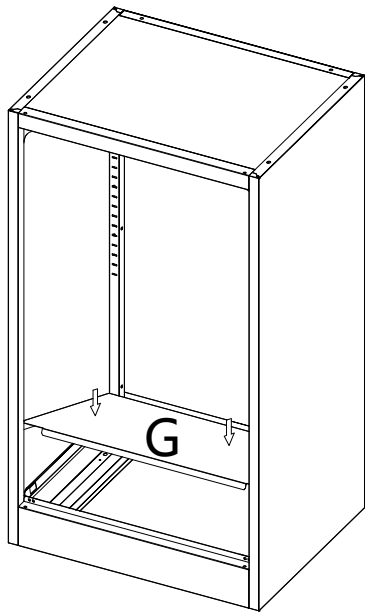
9



10

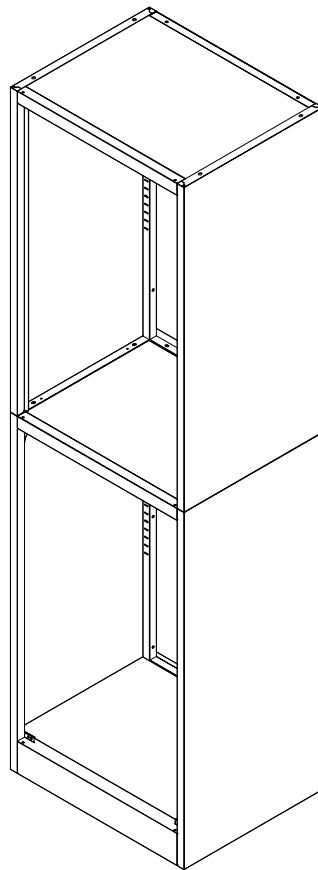
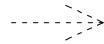
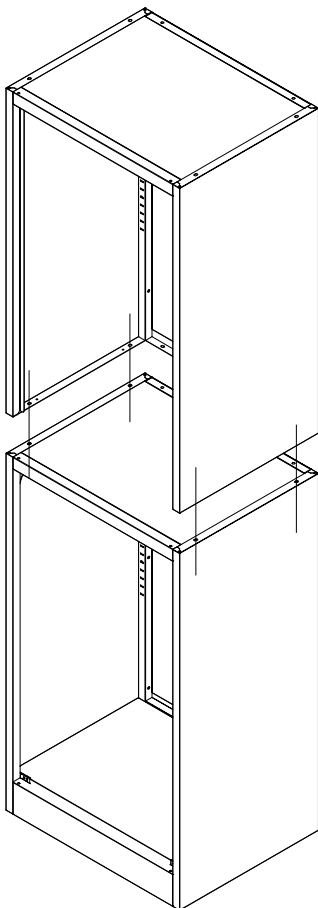


11

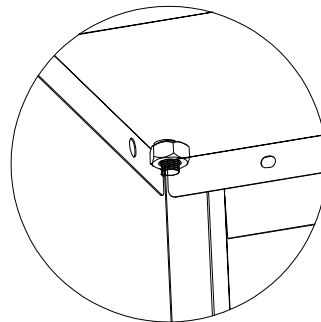
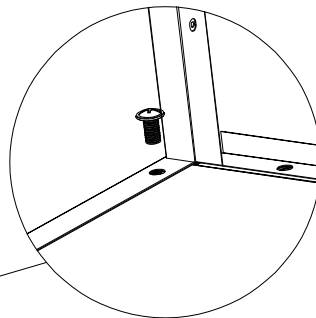
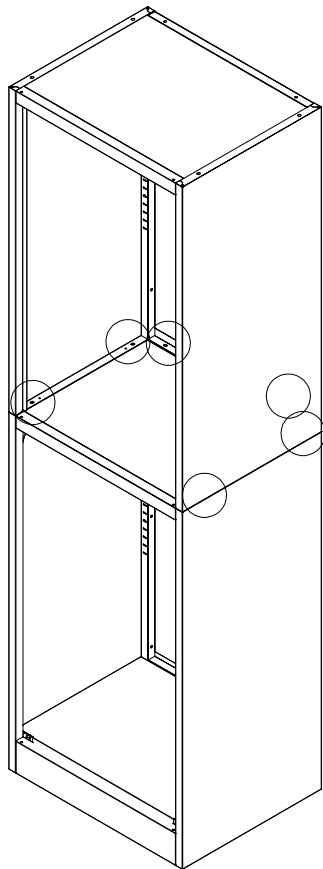


M\*2

12

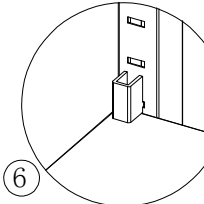
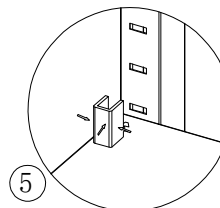
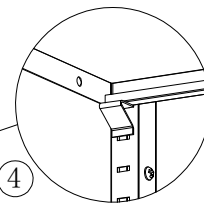
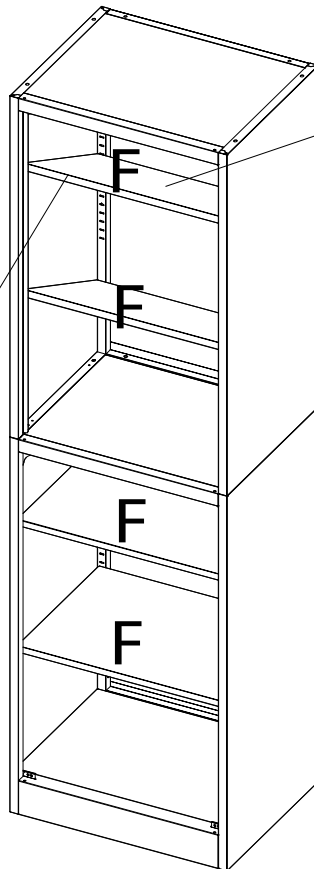
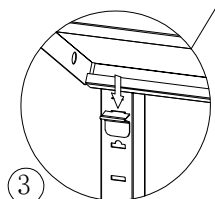
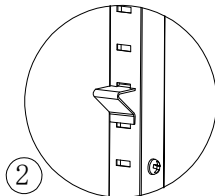
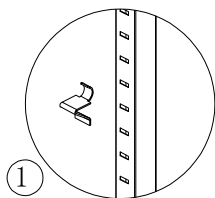


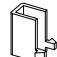

13



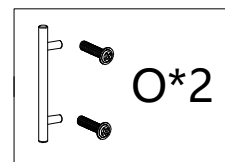
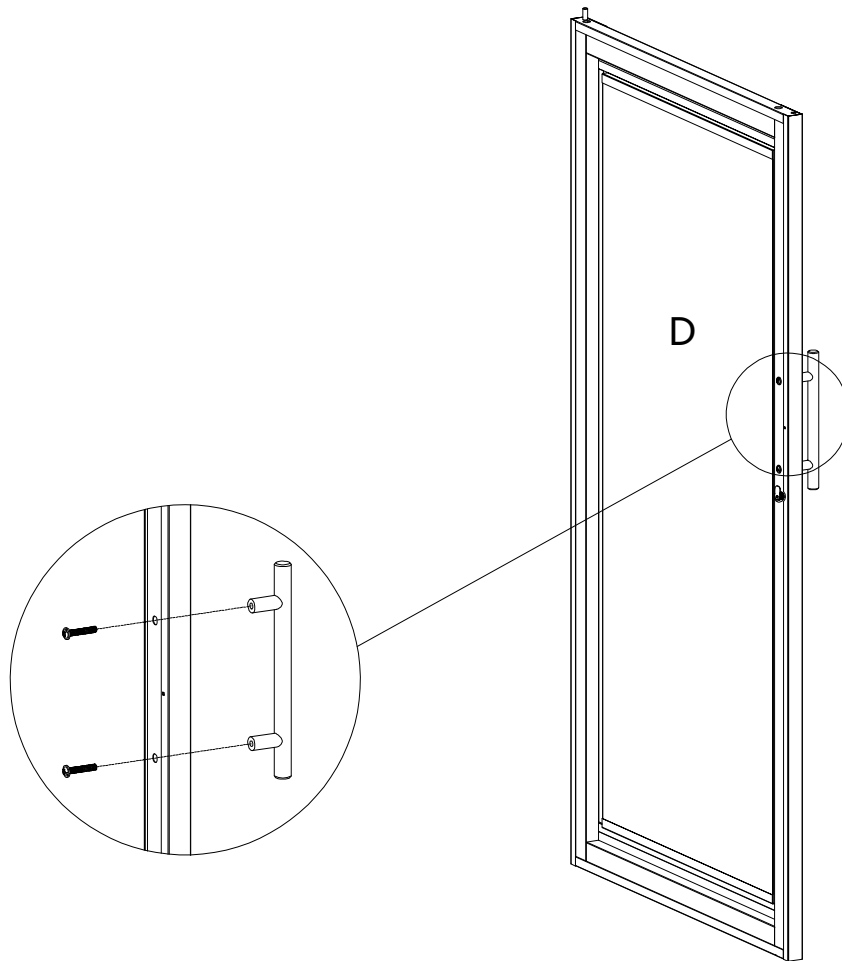
  X\*6

14

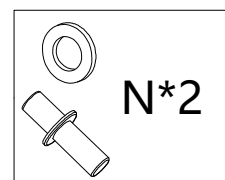
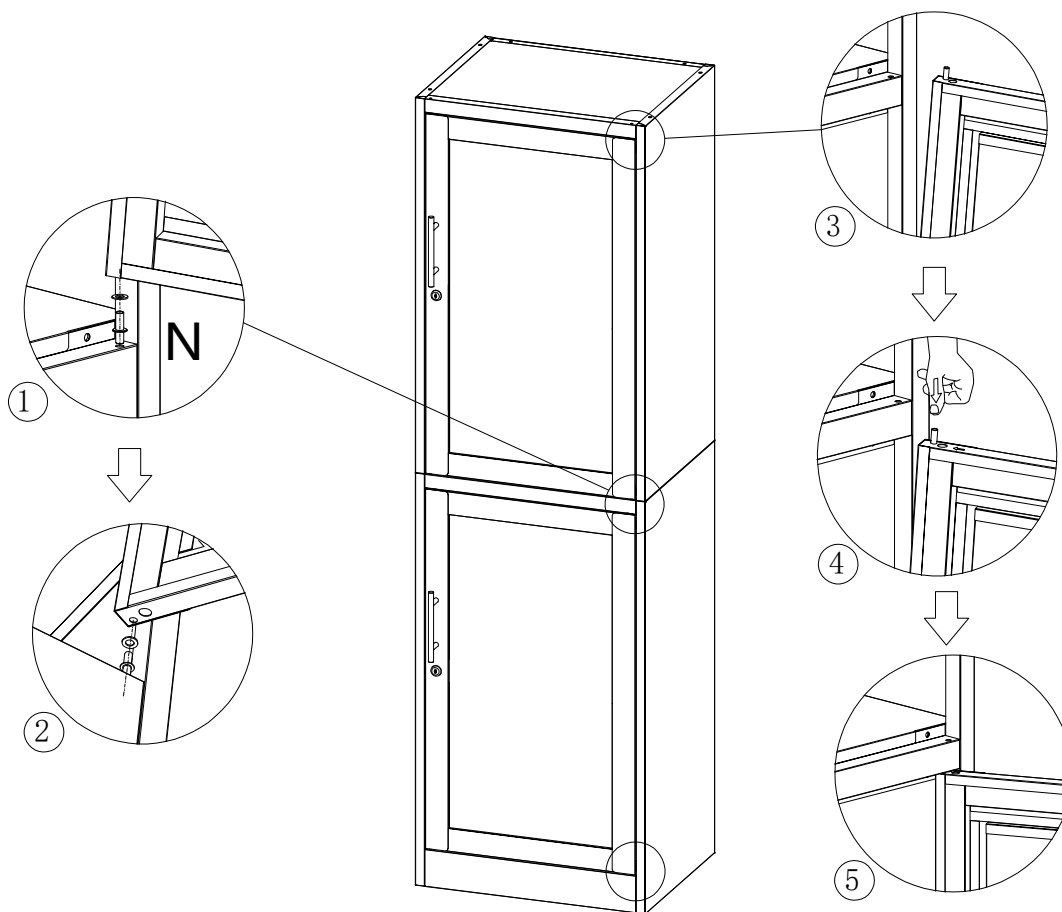


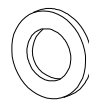
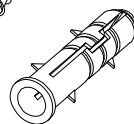
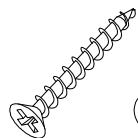
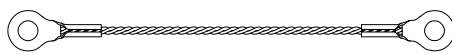
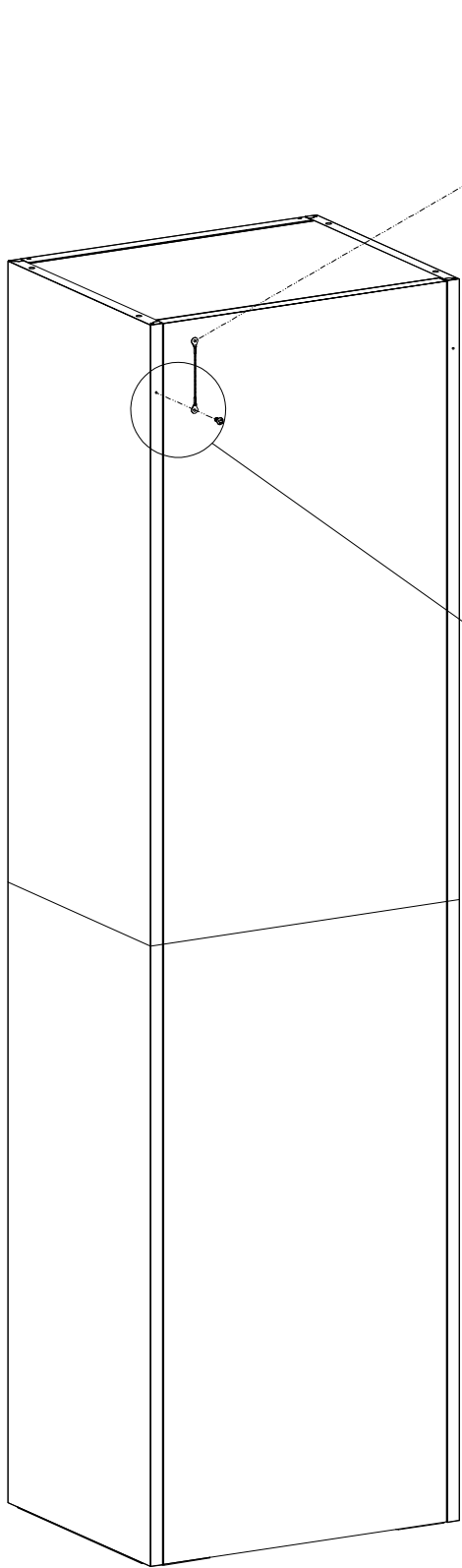
  Q\*16

15



16



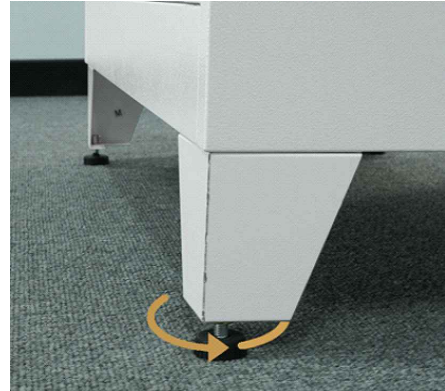
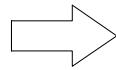


R\*1

M\*1

# Problems and Solutions

Question 1: when encountering uneven height of two door panels, adjust the bottom adjustment foot to make it flat.



Question 2: When the door is closed, it still protrudes outward.  
That's because the door is made of steel plate and has stretchability.  
You can adjust it according to the method shown in the picture.

