

Great care has gone into the manufacture of this product and it should therefore provide you with years of good service when used properly. In the event of product failure within its intended use over the course of the first 3 years after date of purchase. We will remedy the problem as quickly as possible once it has been brought to our attention. In the unlikely event of such an occurrence, or if you require any information about the product, please contact us via our helpline support services, details of which are to be found both in this manual and on the product itself.



**PRODUCED IN CHINA FOR:**

Room 1508, 15/F., Office Tower Two, Grand Plaza, 625 Nathan Road, Kowloon, Hong Kong.

**AFTER SALES SUPPORT**

AT-DW-2406 /200

00852-3076 6658

aristotleoutdoor@gmail.com

**MODEL:**

ROPE EFFECT COFFEE SET OF 3

**SCHOPEN  
HAUER**

## Assembly Instructions

# ROPE EFFECT COFFEE SET OF 3



ARISTOTLE TECHNOLOGY LIMITED

## CONTENTS

### 04 | Package contents

05 | Components

05 | Connecting elements supplied

05 | Included tools

### 06 | General information

06 | Reading and storing the assembly instructions

06 | Proper use

06 | Explanation of symbols

### 07 | Safety

07 | Explanation of notes

08 | Safety instructions

### 09 | First use

09 | Checking the package contents

10 | Basic cleaning

### 10 | Assembly

10 | Assembly steps

### 13 | Cleaning

### 13 | Maintenance

### 13 | Storage

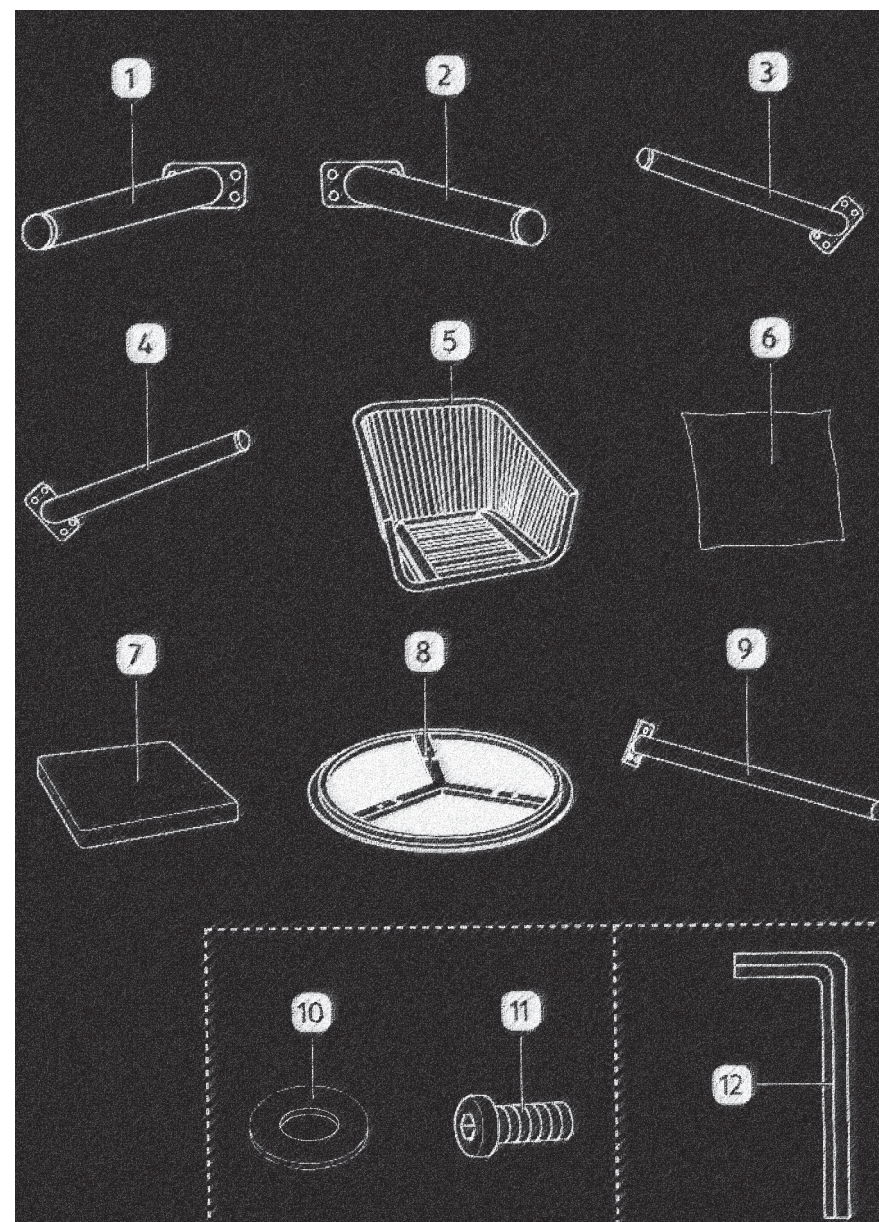
### 14 | Technical data

### 14 | Disposal

14 | Disposing of the packaging

14 | Disposing of the product

## PACKAGE CONTENTS



## COMPONENTS

1. Chair leg A x 2
2. Chair leg B x 2
3. Chair leg C x 2
4. Chair leg D x 2
5. Seat shell x 2
6. Seat cushion A x 2
7. Seat cushion B x 2
8. Tabletop x 1
9. Table leg x 3

## CONNECTING ELEMENTS SUPPLIED

10. Washer x 41
11. Screw x 41

## INCLUDED TOOLS

12. Hex key x 1

## GENERAL INFORMATION

### IMPORTANT, RETAIN FOR FUTURE REFERENCE: READ CAREFULLY

#### Reading and storing the assembly instructions

These assembly instructions accompany this Rope Effect Coffee Set of 3 (referred to below only as the "product"). They contain important information on assembly and handling.

Before assembling and using the product, read the assembly instructions carefully, and in particular the safety instructions. Failure to follow these assembly instructions may result in serious injury or in damage to the product. The assembly instructions are based on the standards and rules in force in the United Kingdom and in the European Union. When abroad, you must also observe country-specific guidelines and laws.

Hold onto the assembly instructions for future reference. Make sure to include these assembly instructions when you pass this product on to another person.

#### Proper use

The product is designed exclusively for outdoor sitting and storage. It is intended for private domestic use only and is not suitable for commercial purposes. Use the product only as described in these assembly instructions. Any other use is deemed improper and may result in damage to property or even personal injury.

The product is not a children's toy.

The manufacturer or vendor accepts no liability for damage caused by improper or incorrect use.

#### Explanation of symbols

The following symbols are used in these assembly instructions, on the product or on the packaging.



Do not wash.



This symbol provides you with additional useful information regarding assembly or use.



Do not bleach.



Do not tumble dry.



Do not iron.



Do not dry clean.

## SAFETY

### Explanation of notes

The following symbols and signal words are used in these assembly instructions.



**WARNING!**

This signal symbol/word designates a hazard with a moderate degree of risk which may lead to death or severe injury if not avoided.



**CAUTION!**

This signal symbol/word designates a hazard with low risk, which may result in minor or moderate injury if not avoided.



**NOTICE!**

This signal word warns of possible damage to property.

### Safety instructions



**WARNING!**

### Risk of swallowing and choking!

Children can get caught in the packaging when playing and suffocate.  
Children may suffocate if they swallow the provided screws or small parts.  
- Keep children away during installation.

— Ensure that children do not play with the packaging, screws or small parts.



**WARNING!**

### Risk of injury!

Improper handling of the product and incorrect assembly can lead to injury.

- Assemble the product carefully and follow these assembly instructions.
- Place the product on a level and non-slip surface.
- Children may injure themselves when playing with or climbing onto the product.
- Do not stand or jump on the product. The product can tip over easily.
- The product can tip over if subjected to an excessive or one-sided load. Make sure that the load is distributed evenly.
- Do not sit or stand on the table.
- Do not use the product as a makeshift step, support trestle, or a piece of exercise equipment.
- Do not sit on the backrests or armrests.
- Do not exceed the table's maximum loading capacity of 8 kg.
- The maximum loading capacity per armchair is 110 kg.
- Stop using the product if any of its parts exhibit cracks or breaks or are deformed.



**CAUTION!**

### Crushing hazard!

Failure to take proper care when handling the product could result in your fingers being crushed.

- Make sure that children do not play with the product. Children can squash their hands or injure themselves.
- Take care not to injure your hands and fingers during assembly work and daily use.

- To avoid being squashed, make sure that the product is assembled and transported with care.

## NOTICE!

### Risk of damage!

Improper handling of the product can damage the product.

- Place the product on an easily accessible, level, dry and sufficiently stable surface.
- Keep the product away from heat sources (e.g. fireplaces) and open flames (e.g. a campfire).
- Never expose the product to high temperatures (e.g. fireplace.campfire) or extreme cold.
- Never expose the product to the effects of the weather e.g.rain, direct sunlight or moisture.
- Never immerse the product in water or use a steam cleaner to clean the product. Otherwise, you may damage the product.

## FIRST USE

### Checking the package contents

## NOTICE!

### Risk of damage!

If you do not take care when opening the packaging with a sharp knife or other pointed object, the product can quickly become damaged.

- Be very careful when opening the packaging.

1. Take the individual parts of the product out of the packaging.
2. Check to make sure that all parts are included (see **Fig. A**).
3. Check whether the individual parts of the product exhibit damages. if this is the case, do not assemble or use the product, Contact the manufacturer at the service address specified on the warranty card.

## Basic cleaning

1. Remove the packaging material and all protective foils.
2. Clean all parts of the product before first use as described in the chapter 'cleaning'.

## ASSEMBLY

## NOTICE!

### Risk of damage!

Improper handling of the product can damage the product or other property.

- Assemble the product on a soft and clean surface. If necessary lay a blanket or something similar underneath to prevent the surfaces from being scratched or damaged.
- Take care when assembling the product and follow the assembly instructions.

### Assembly steps

Assemble the shelf using the following instructions and graphics.

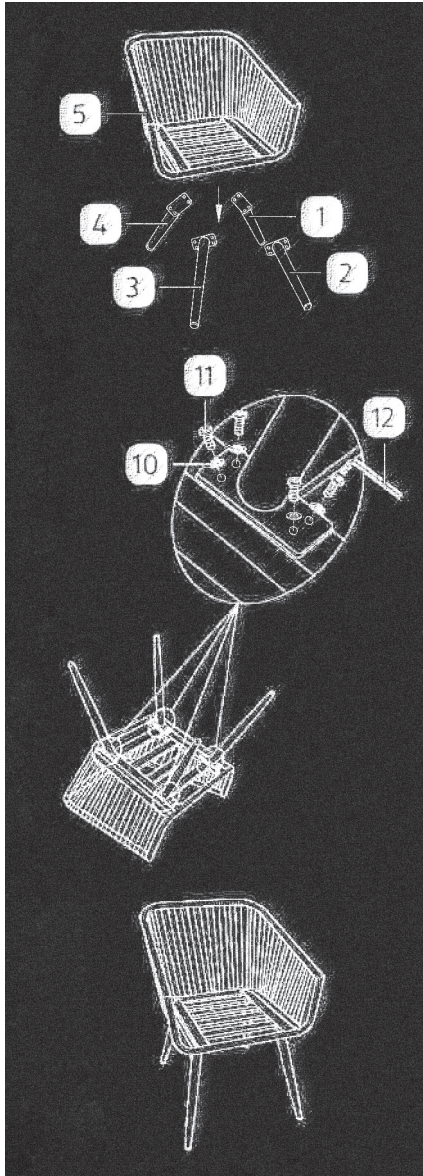


During assembly, make sure there is enough space around the product so you can move freely in all directions. Familiarise yourself with the individual parts shown before beginning assembly.

### 1. Assembling the armchair | 11

### 2. Assembling the table | 12

## 1 ASSEMBLING THE ARMCHAIR



1. Connect chair leg A **1** chair leg B **2** , chair leg C **3** and chair leg D **4** to the seat shell **5** .To do this, turn the seat shell upside down.

Both the chair legs and the seat shell are labelled accordingly.

2. Position the chair legs according to the labelling and make sure that the pre-drilled holes of the seat shell and the chair legs are aligned.

3. Use four screws **11** and four washers **10** to assemble each chair leg.

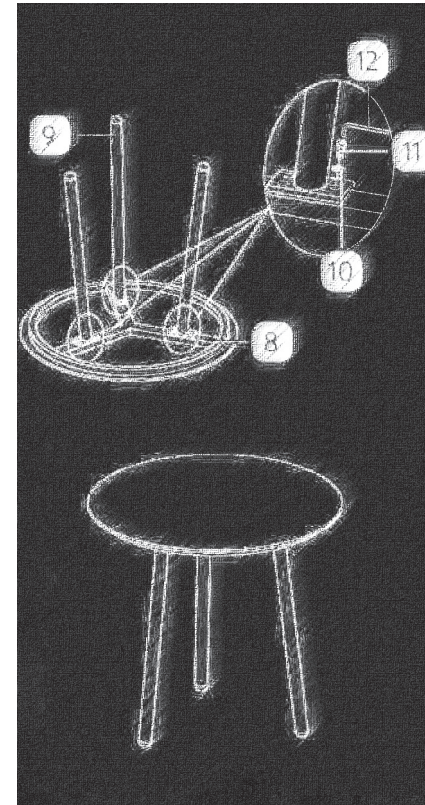
4. Tighten the screws with the Hex key **12** and check that all connections are securely tightened.

5. Turn the armchair over. Place the seat cushions **6/7** in the seat shell.

You have successfully assembled the armchair.

Repeat the above assembly steps for the second armchair.

## 2 ASSEMBLING THE TABLE



1. Connect the table legs **9** to the tabletop **8**.

To do this, turn the tabletop over and position the table legs so the pre-drilled holes of the tabletop and table legs are aligned.

2. Use three screws **11** and three washers **10** to assemble each table leg.

3. Tighten the screws with the Hex key **12** and check that all connections are securely tightened.

4. Turn the table over. You have successfully assembled the table.



You can remedy any wobbling by rotating the height-adjustment screws on the bottom of the chair legs **1/2/3/4**.

## CLEANING



### Risk of damage!

Improper handling of the product can damage the product.

- Do not use any aggressive cleaners, brushes with metal or nylon bristles, or sharp or metallic cleaning utensils such as knives, hard scrapers and the like. They could damage the surfaces.

1. Remove dirt with a damp cloth and, if necessary, a small amount of mild detergent.
2. Then wipe the product dry with a lint-free doth.

## MAINTENANCE

Check all connections at regular intervals and tighten them if necessary. Loose connections mean that safety may be compromised and entail a risk of injury.

## STORAGE

- Move the product to a sheltered place during bad weather (e.g. heavy rain, hail, storms).
- Protect the product from direct sunlight.
- Use a protective cover when not in use and during storage.
- After use, store the seat cushions 6 /7 in a clean, dry place.

If you are not using the product for a long period of time, clean the product as described in the chapter "Cleaning".

All parts must be completely dry before being stored.

- Always store the product in a dry location.
- Store the product out of reach of children, securely locked away and at a storage temperature of between 5 °C and 20 °C(room temperature).
- Check all connections before using the product again, and tighten them from time to time.

## TECHNICAL DATA

**Model:** Rope Effect Coffee Set of 3

**Weight:** approx. 14.5 kg

### Maximum load capacity

**Per armchair:** 110kg

**Table:** 8.0 kg

**Seat height:** 42 cm

**Material:** aluminium, polypropylene

### Dimensions

Armchair (W x D x H): 58 x 62 x 79 cm

Table (Φ x H): 50x56cm

**Article number:** AT-DW-2406 /200

## DISPOSAL

### Disposing of the packaging



Dispose of the packaging separated into single type materials. Dispose of cardboard and carton as waste paper and plastic via the recyclable material collection service.

### Disposing of the product

- Dispose of the product in accordance with the applicable laws and regulations for your country.

