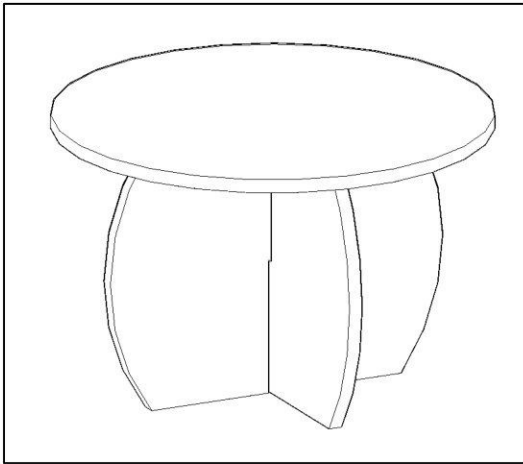


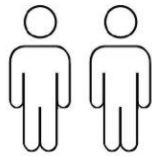
ASSEMBLY INSTRUCTIONS



+ Do Not Use Power Tools



+ Suggested Adults



- 1 Read instructions cover to cover.
- 2 Save all packaging until assembly is completed.

1 **IMPORTANT SAFETY INFORMATION**

Do Not assemble the product if any of the following parts arrived damaged:
Part # 1 - Table Top
Part # 2 - Base

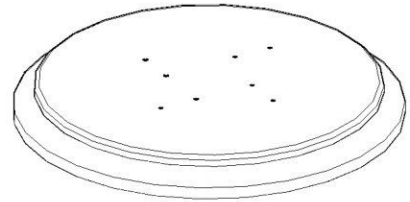
2 **IMPORTANT ASSEMBLY INFORMATION**

Assembly Step Use Bolt **A**, to connect Part # 1 to Part # 2.

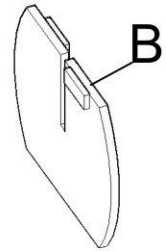
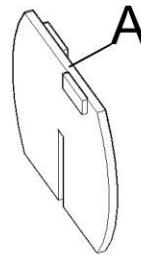
***Warning:** Do not over tighten screws, or it could damage the Table Top.

+ Parts Included

- ① Table Top
(#1 of pcs)



- ② Base
(#2 of pcs)



+ Parts Included

- A Allen Bolt
(#16 of pcs)



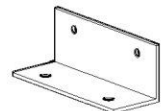
- B Washer
(#16 of pcs)



- C Allen Key
(#1 of pcs)

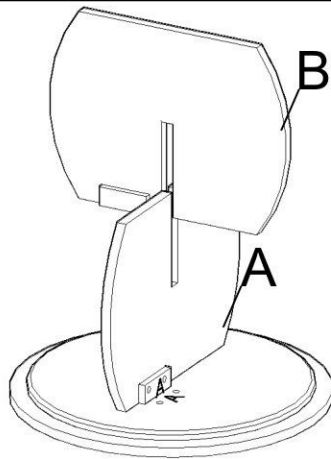


- D L Clip
(#4 of pcs)



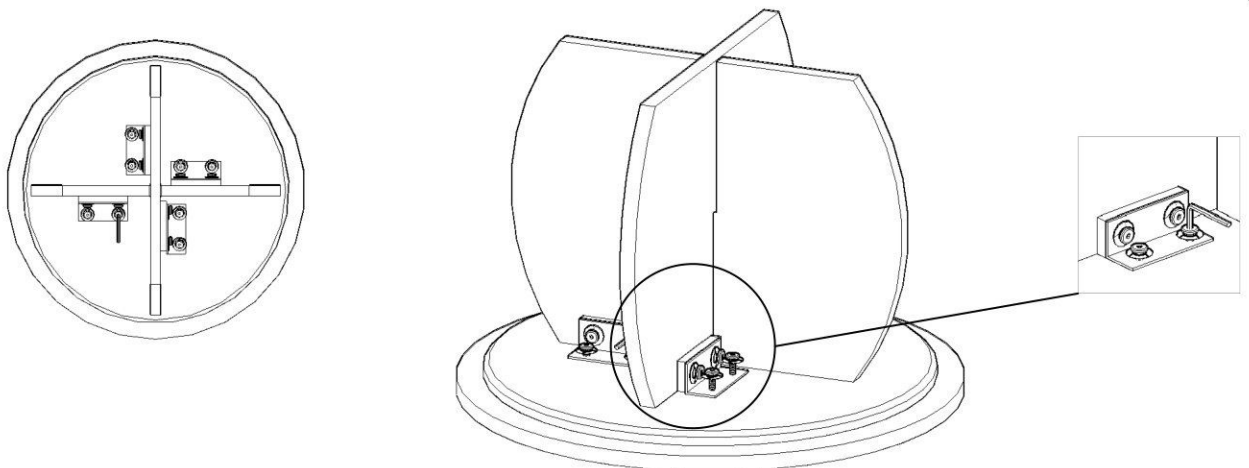
ASSEMBLY INSTRUCTIONS

①



Note: Place the top on the protective surface upside down and Joint Legs according to image. Align and match holes A with A, B with B, C with C & D with D.

②



Note: Place the L Clips, align the holes and attach the bolts as shown above.
Do not over tighten Bolts.

③

