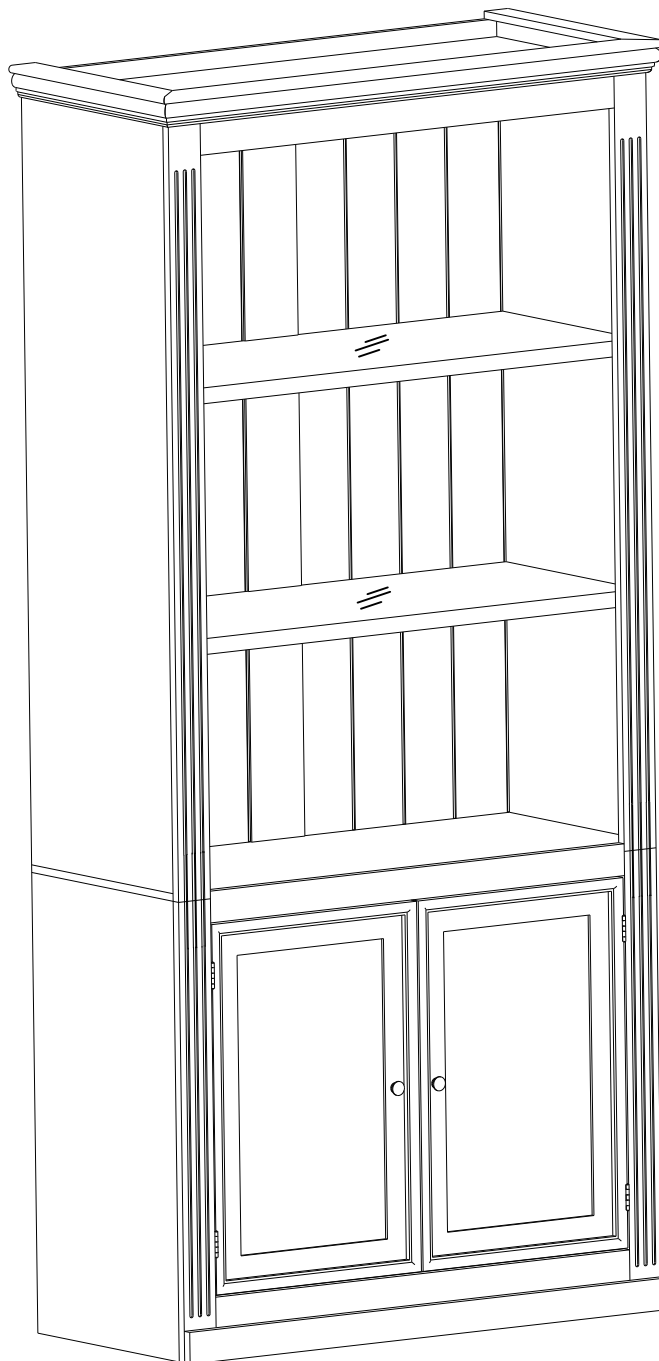


Display cabinet

Assembly Instructions - Please keep for future reference



CE



Important - Please read these instructions fully before starting assembly

Issue 1 - 14/09/24



Safety and Care Advice

Important – Please read these instructions fully before starting assembly

- Check you have all the components and tools listed on the following pages.
- Remove all fittings from the plastic bags and separate them into their groups.
- Keep children and animals away from the work area, small parts could choke if swallowed.
- Make sure you have enough space to layout the parts before starting.

- During assembly do not stand or put weight on the product, this could cause damage.
- Assemble the item as close to its final position (in the same room) as possible.
- Assemble on a soft level surface to avoid damaging the unit or your floor.
- Parts of the assembly will be easier with 3 people.



- To reduce the likelihood of damaging your product please ensure that your power drill is set on a low torque setting.

Care and maintenance

- Only clean using a damp cloth and mild detergent, do not use bleach or abrasive cleaners.
- From time to time check that there are no loose screws on this unit.
- This product should not be discarded with household waste. Take to your local authority waste disposal centre.

Handy Hints

- Assemble all parts and bolts loosely during assembly, only once the product is complete should you fully tighten the bolts
- Regularly check and ensure that all bolts and fittings are tightened properly.

WARNING
In order to help prevent overturning – please follow these instructions

To help prevent product toppling over please follow the below steps:-

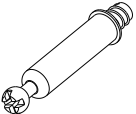

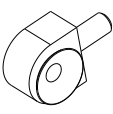
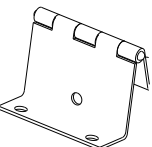
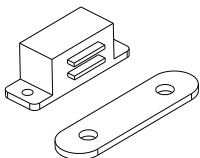


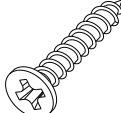


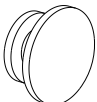

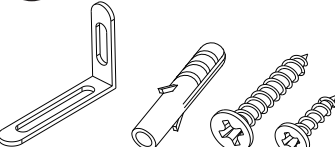
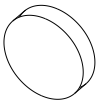
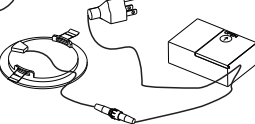
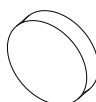
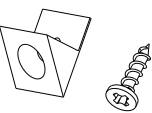
- Use the anti tip stap or wall fixing method provided (if applicable)
- Do not allow children to climb or hang on the furniture
- Do not open more than one drawer at a time
- Do not place heavy items in the top drawers
- Do not place heavy items on top of the furniture, unless the furniture has been designed for this purpose

Components - Fittings

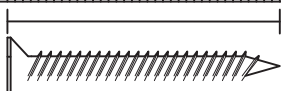
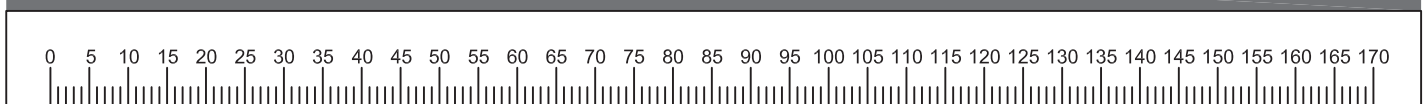
Please check you have all the panels listed below

Note: The quantities below are the correct amount to complete the assembly. In some cases more fittings may be supplied than are required.

N845P390190

<p>A x51</p> 	<p>B x51</p> 	<p>C x8</p> 	<p>D x4</p> 
<p>E x2</p> 	<p>F x2</p> <p>M4x16</p> 	<p>G x4</p> <p>M6x25</p> 	<p>H x15</p> <p>M4x25</p> 
<p>I x24</p> <p>M3x12</p> 	<p>J x1</p> <p>M4</p> 	<p>K x2</p> 	<p>L x4</p> <p>M6x45</p> 
<p>M x2</p> 	<p>N x4</p> 	<p>O x1</p> 	<p>P x4</p> 
<p>Q x16</p> 			

Ruler - Use this ruler to help correctly identify the screws



The screws length is measured from the head to the point (35mm screw shown).

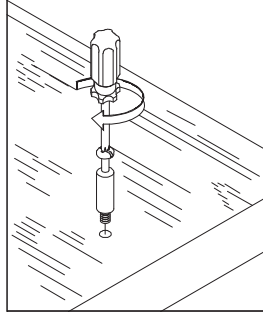
Using Camlocks

Step 1

Connect the male camlock as directed in the assembly instructions using a screwdriver.

1

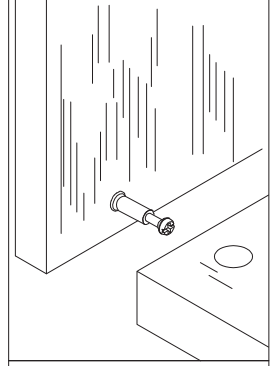
DO NOT OVER TIGHTEN.
NE PAS SERRER EXCESSIVEMENT.



Step 2

Push the male camlock into the entry hole.

2

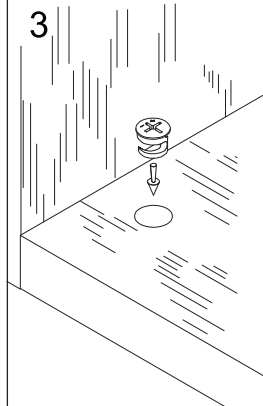


Step 3

Insert the female camlock as shown in the instruction.

Note: ensure that the arrow on the top of the camlock points towards the entry hole for the male camlock.

3



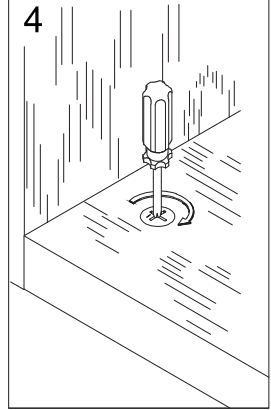
Step 4

Turn the female camlock clockwise with a screwdriver.

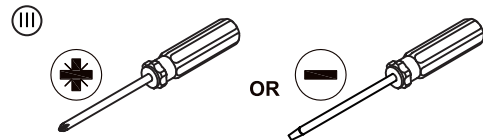
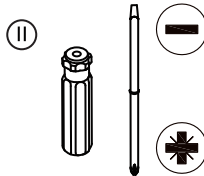
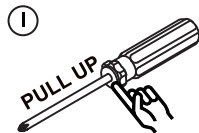
You should feel a click when the camlock is locked in place.

The joint is now secure.

4

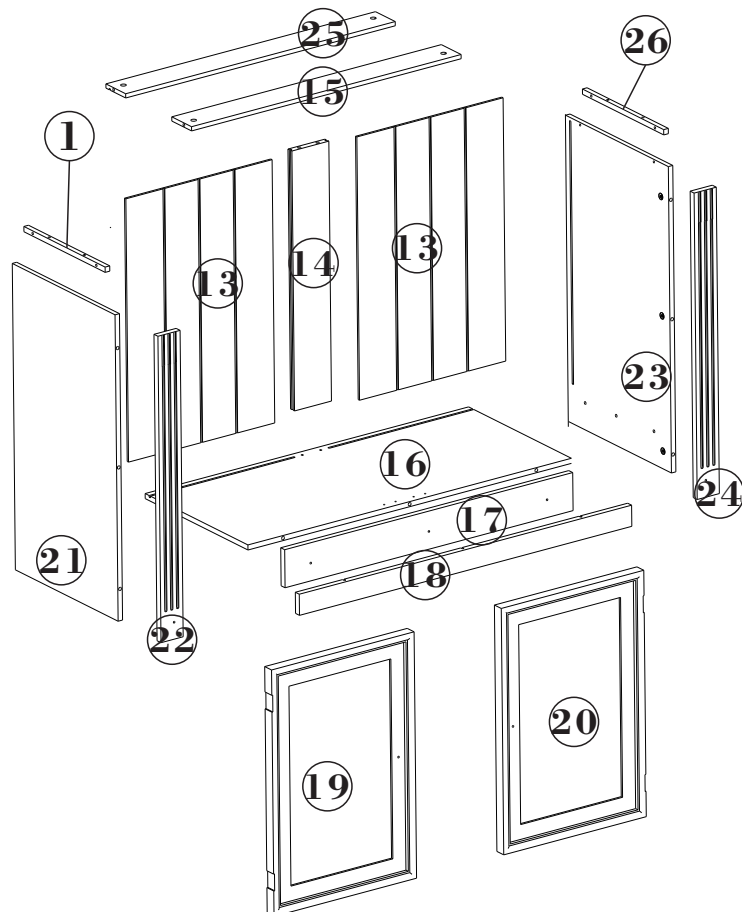
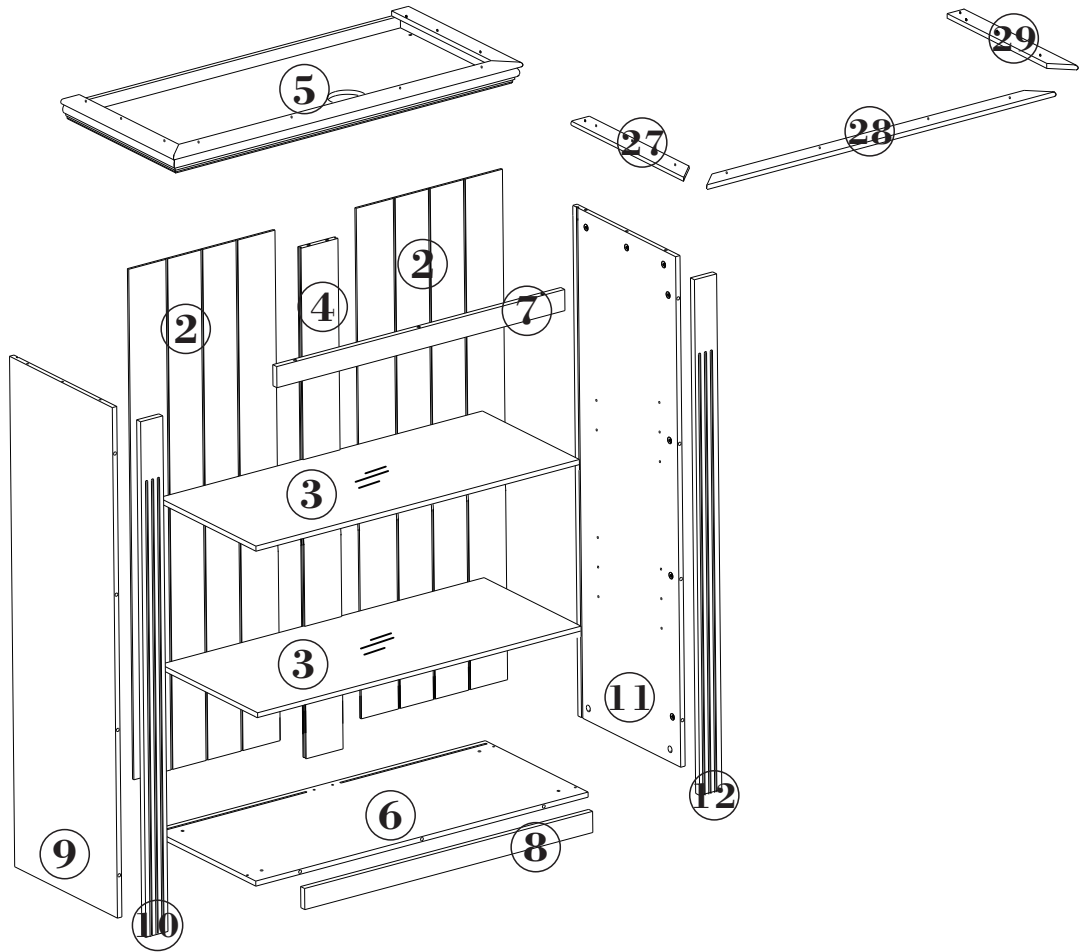


Tools required

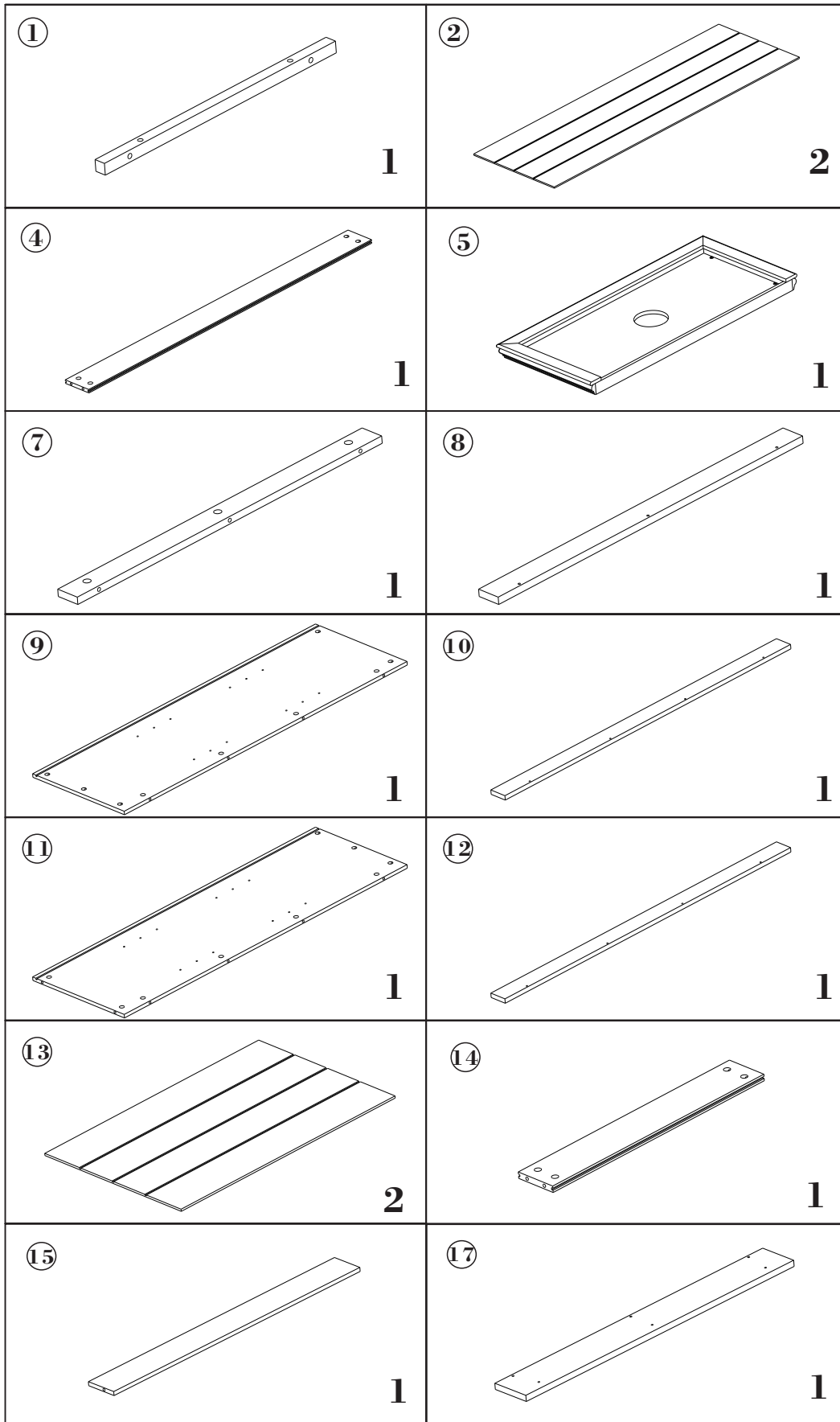


Screwdrivers can be converted to Phillips and Slotted.

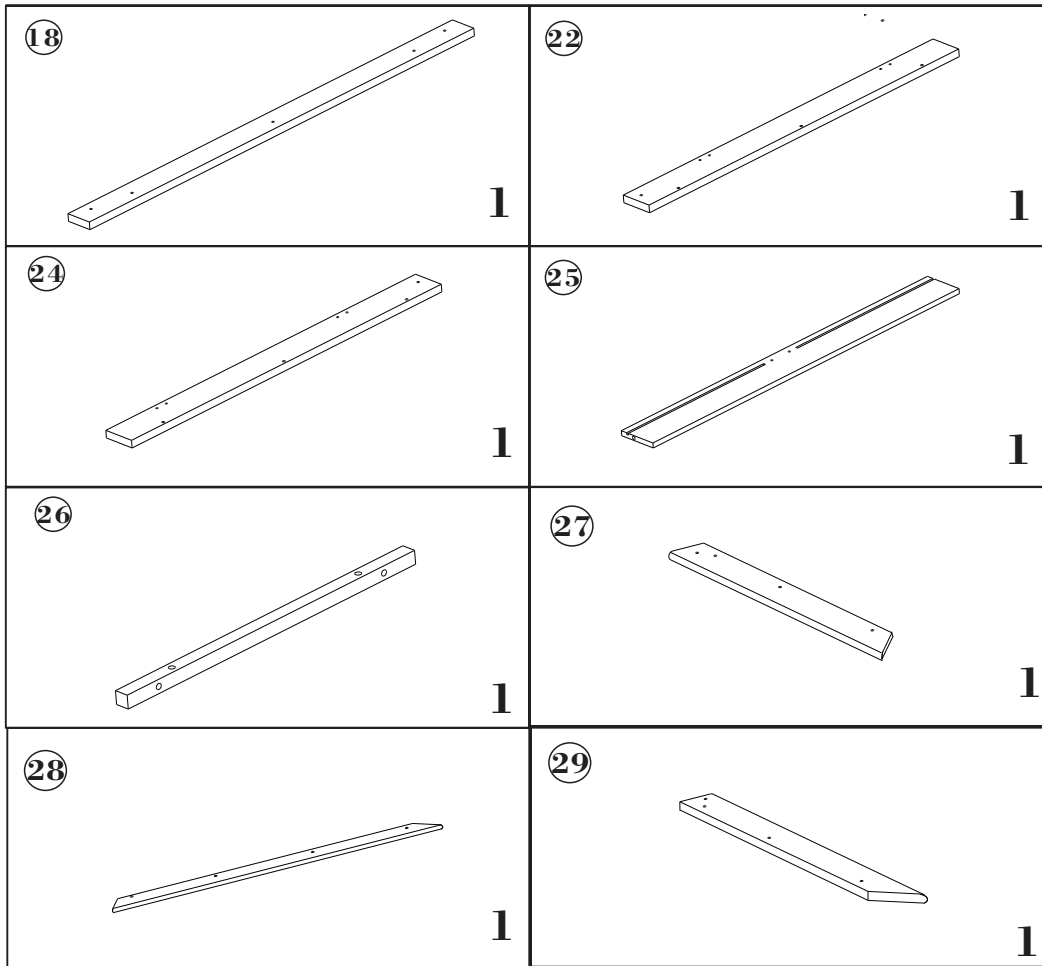
Assembly Instructions



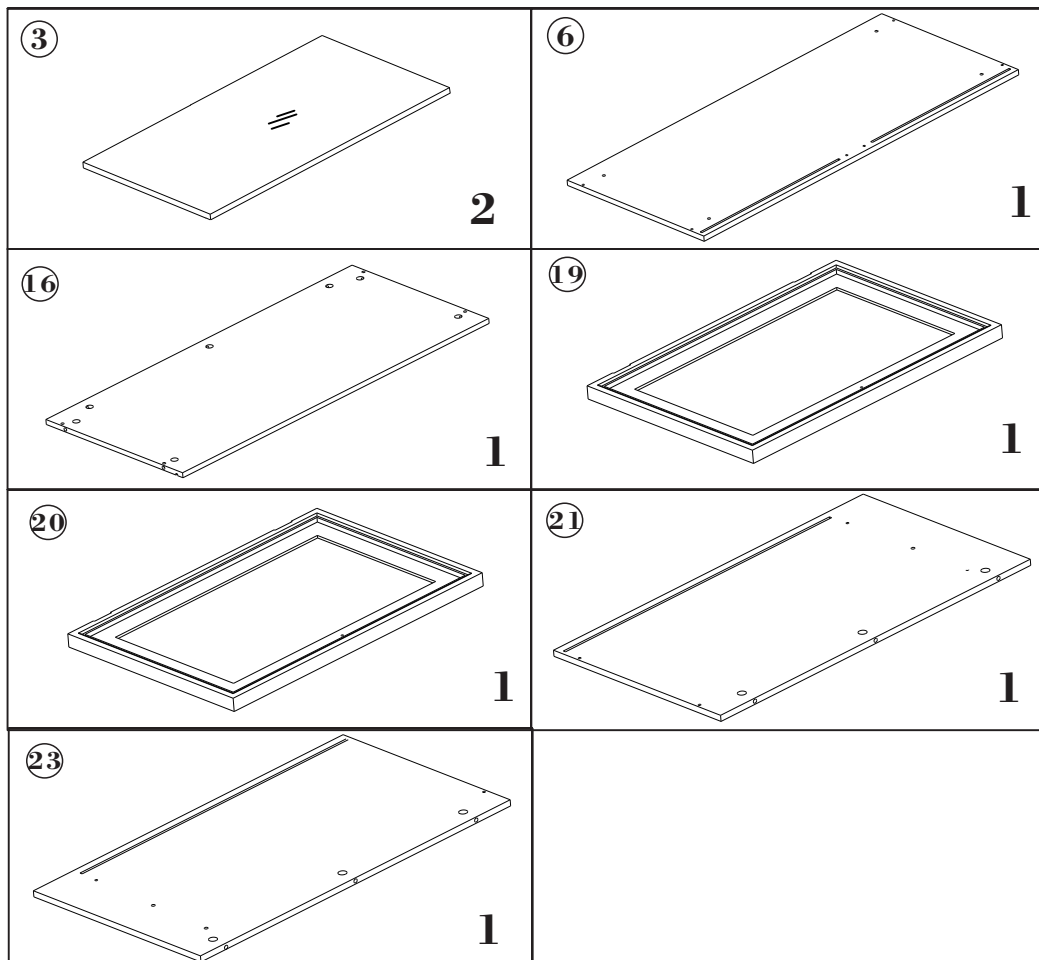
Assembly Instructions



Assembly Instructions

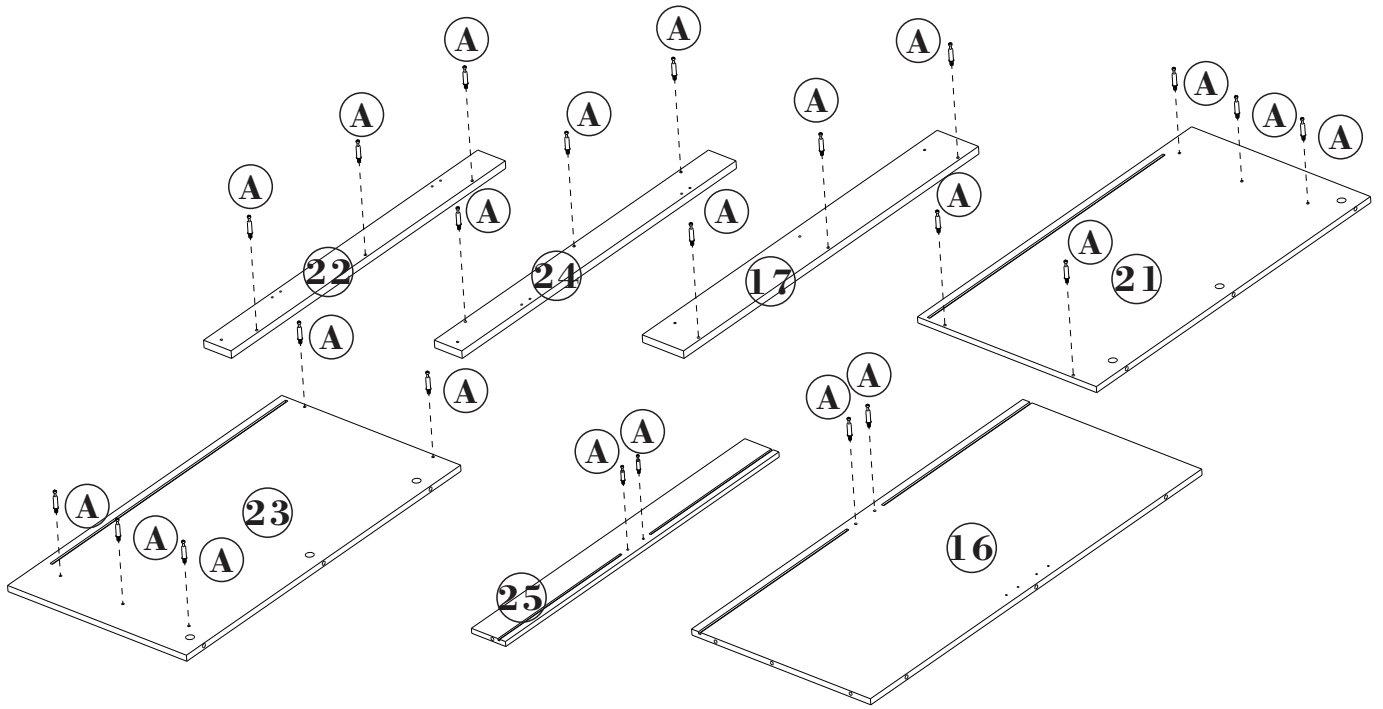


N845P390191



Assembly Instructions

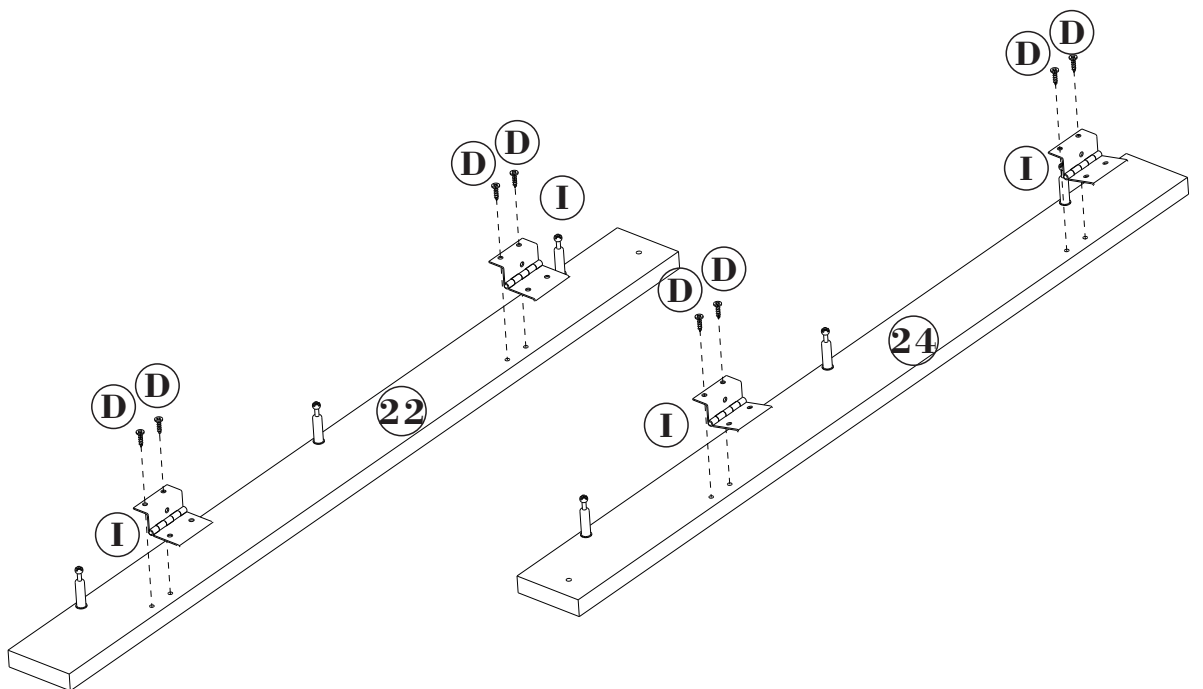
Step 1



(A) x23



Step 2



(D) x4



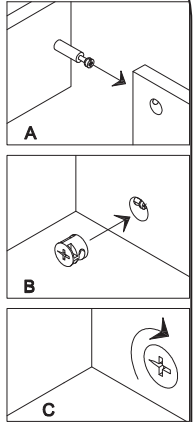
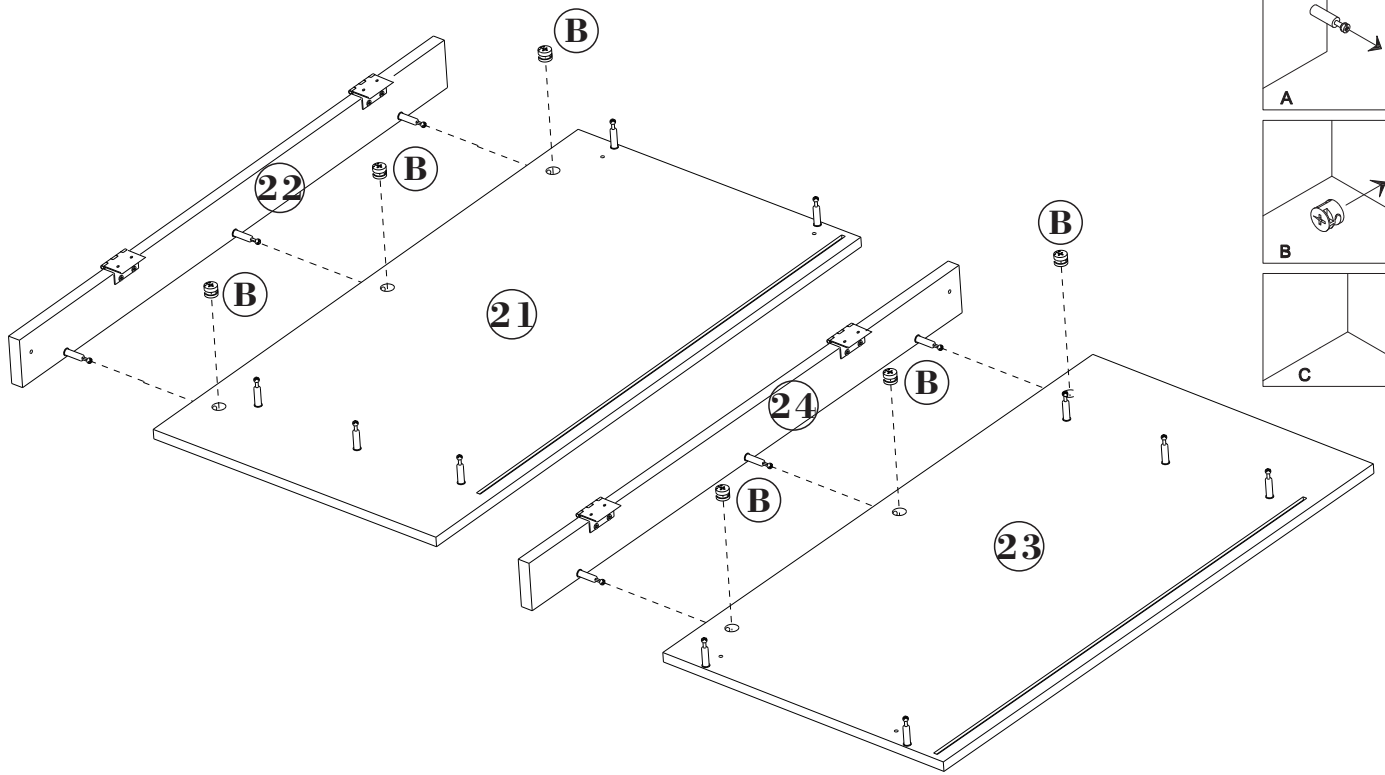
(I) x8



M3x12

Assembly Instructions

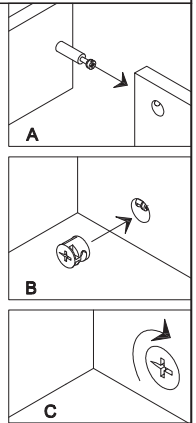
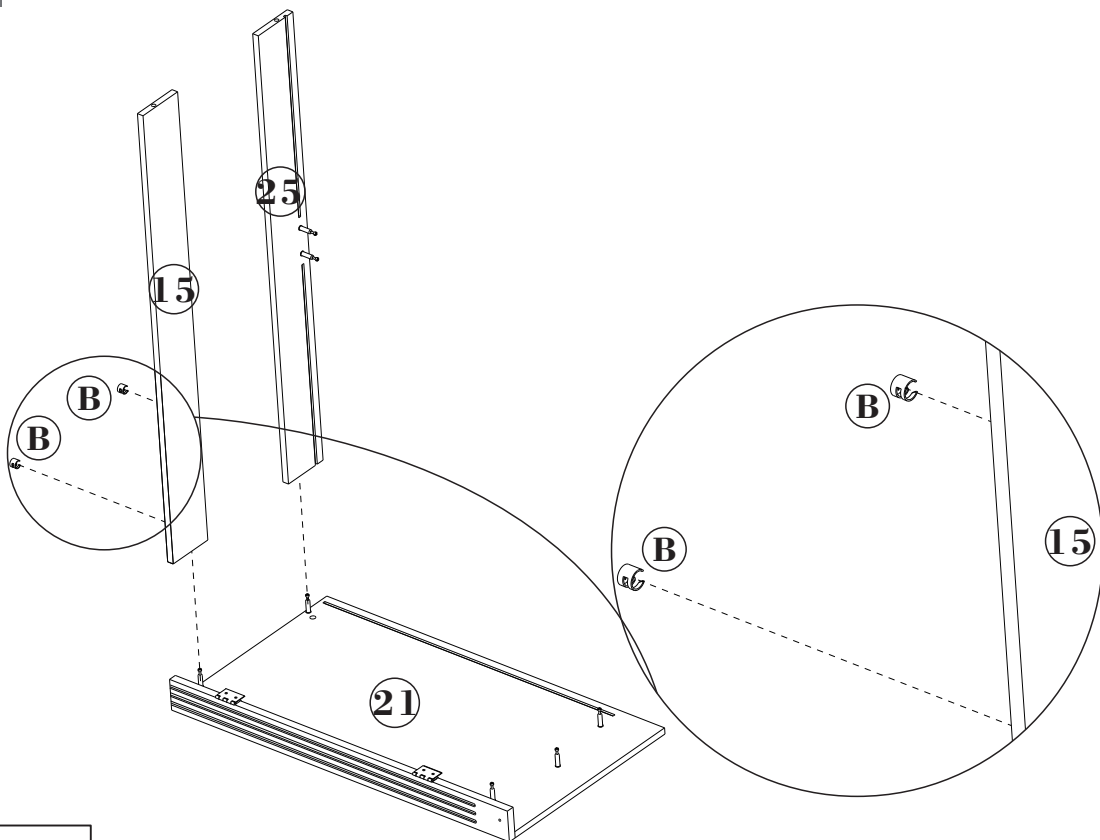
Step 3



B x6



Step 4

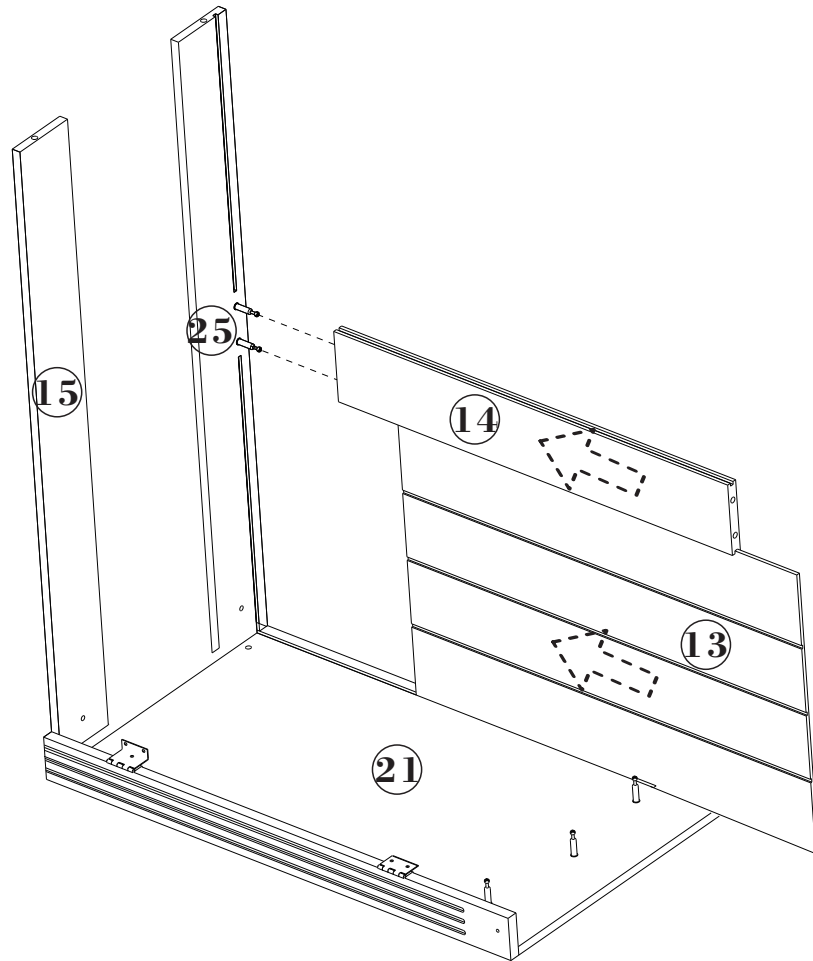


B x2

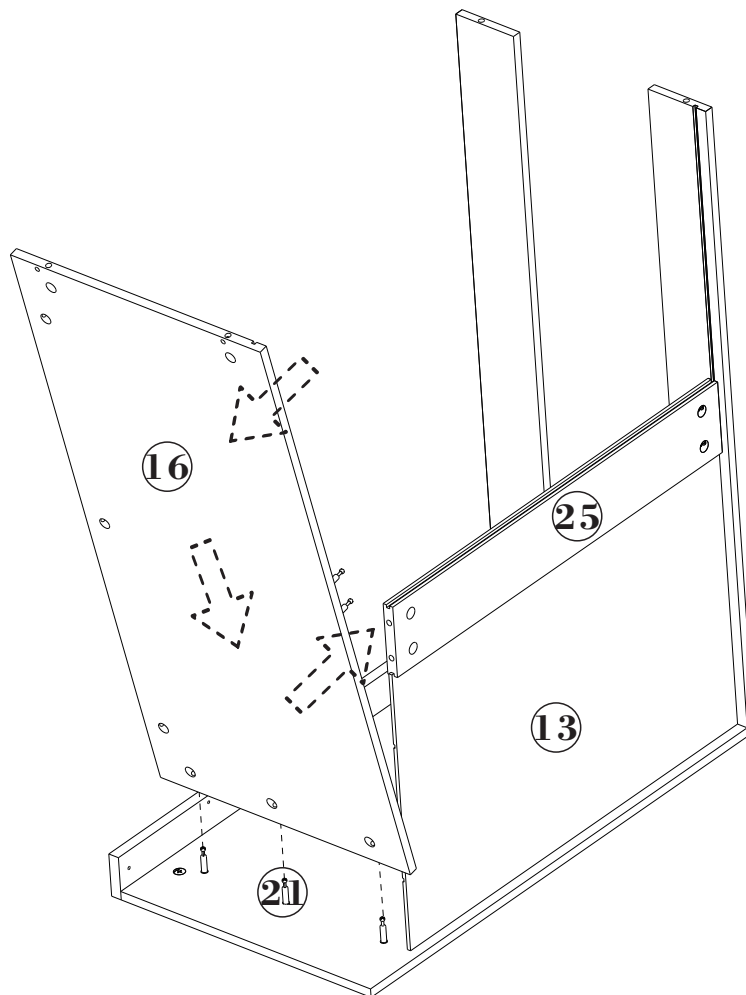


Assembly Instructions

Step 5

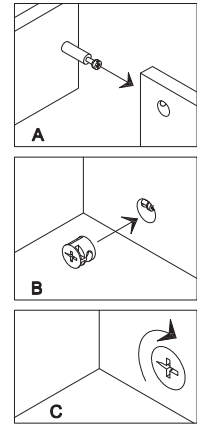
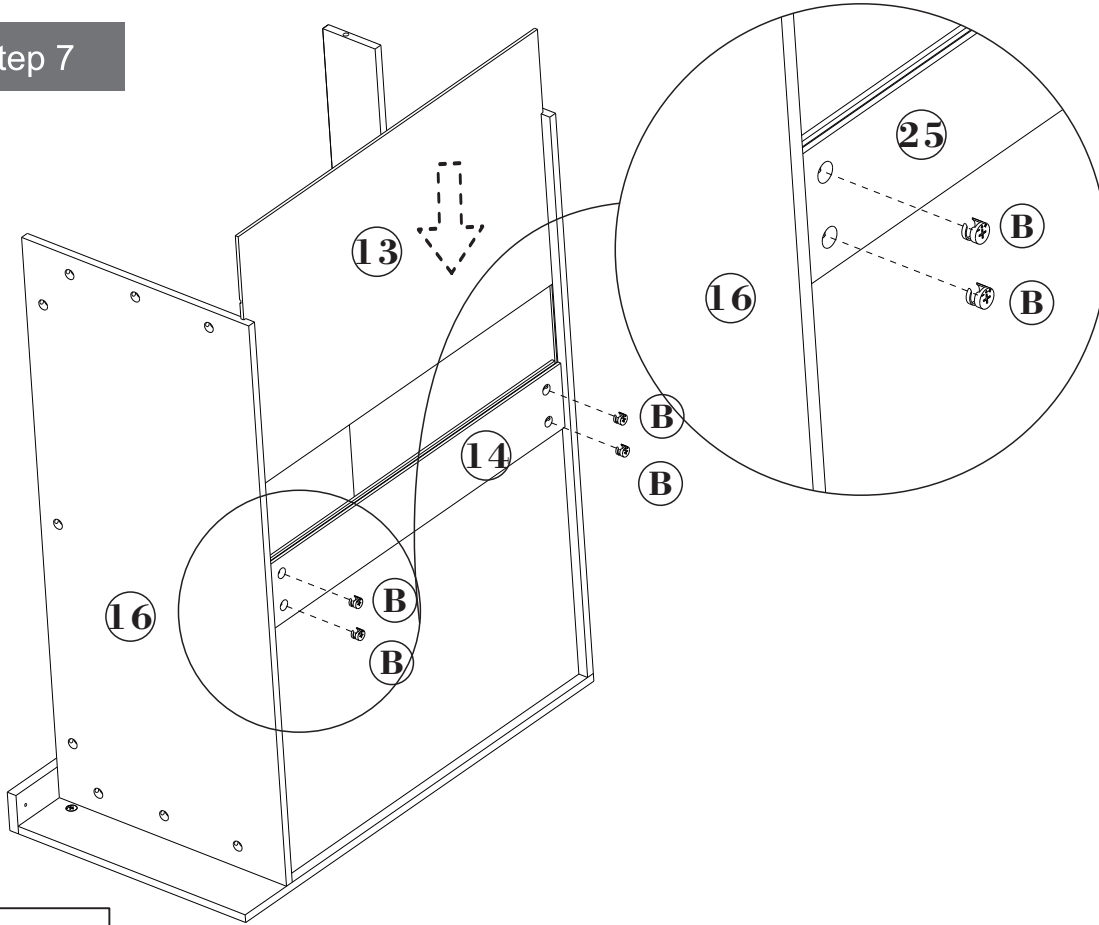


Step 6

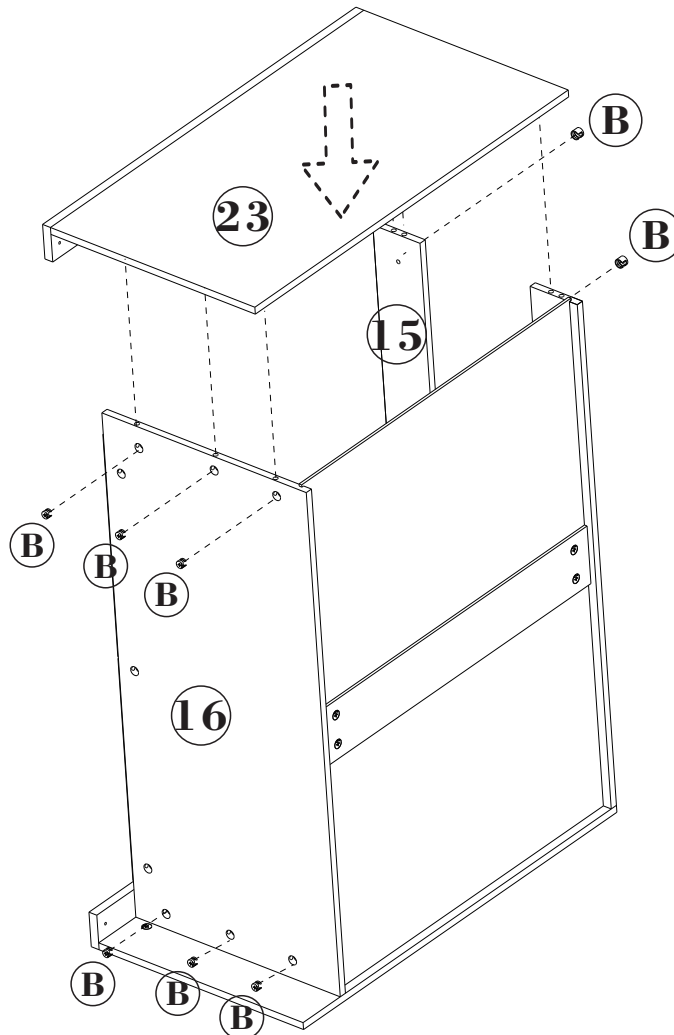


Assembly Instructions

Step 7



Step 8

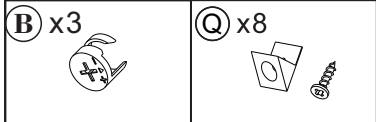
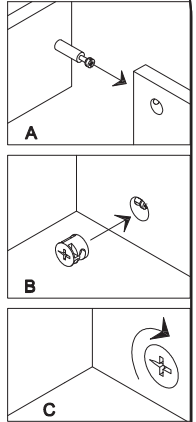
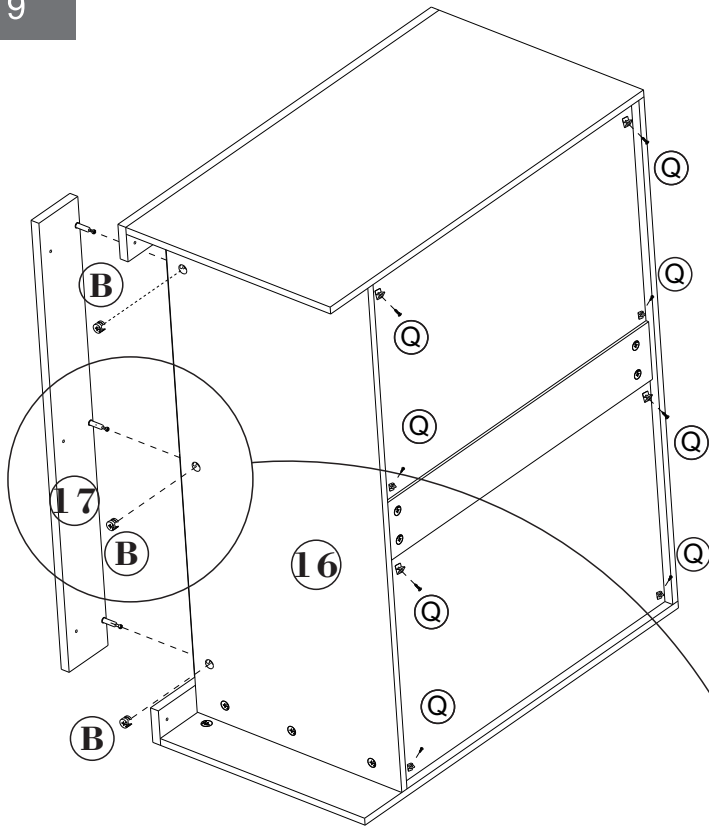


(B) x8

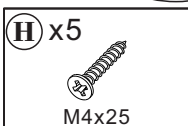
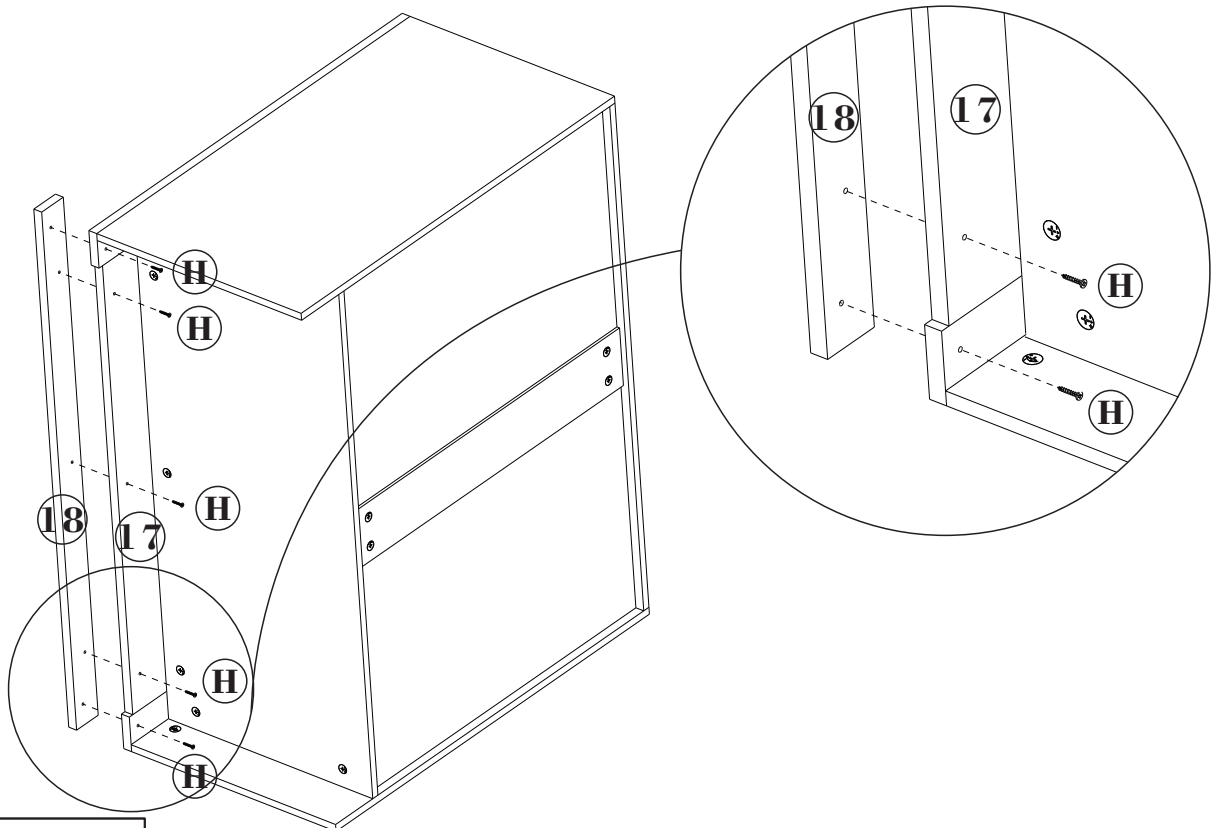


Assembly Instructions

Step 9

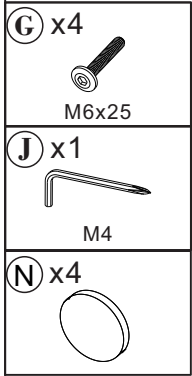
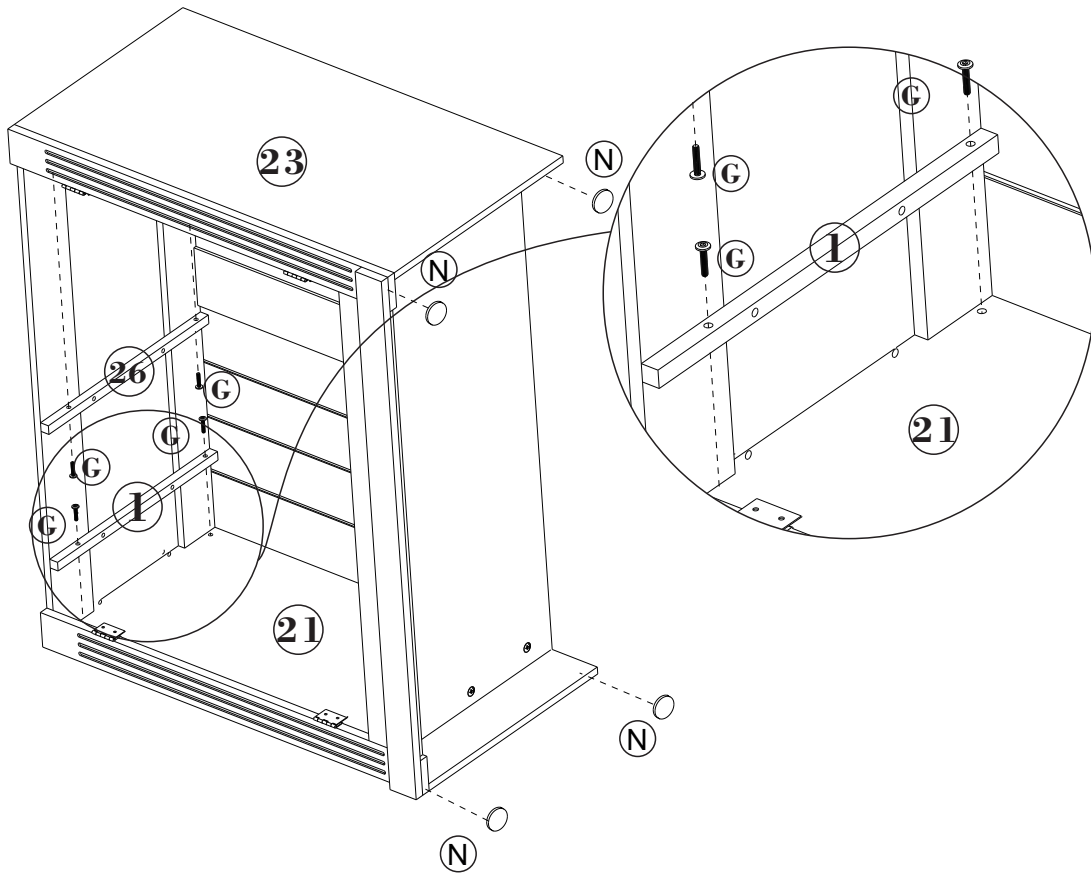


Step 10



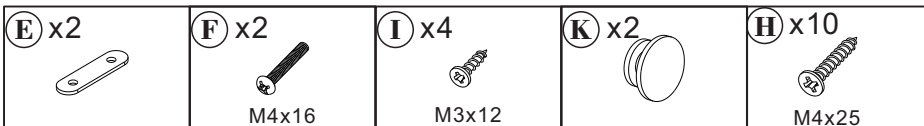
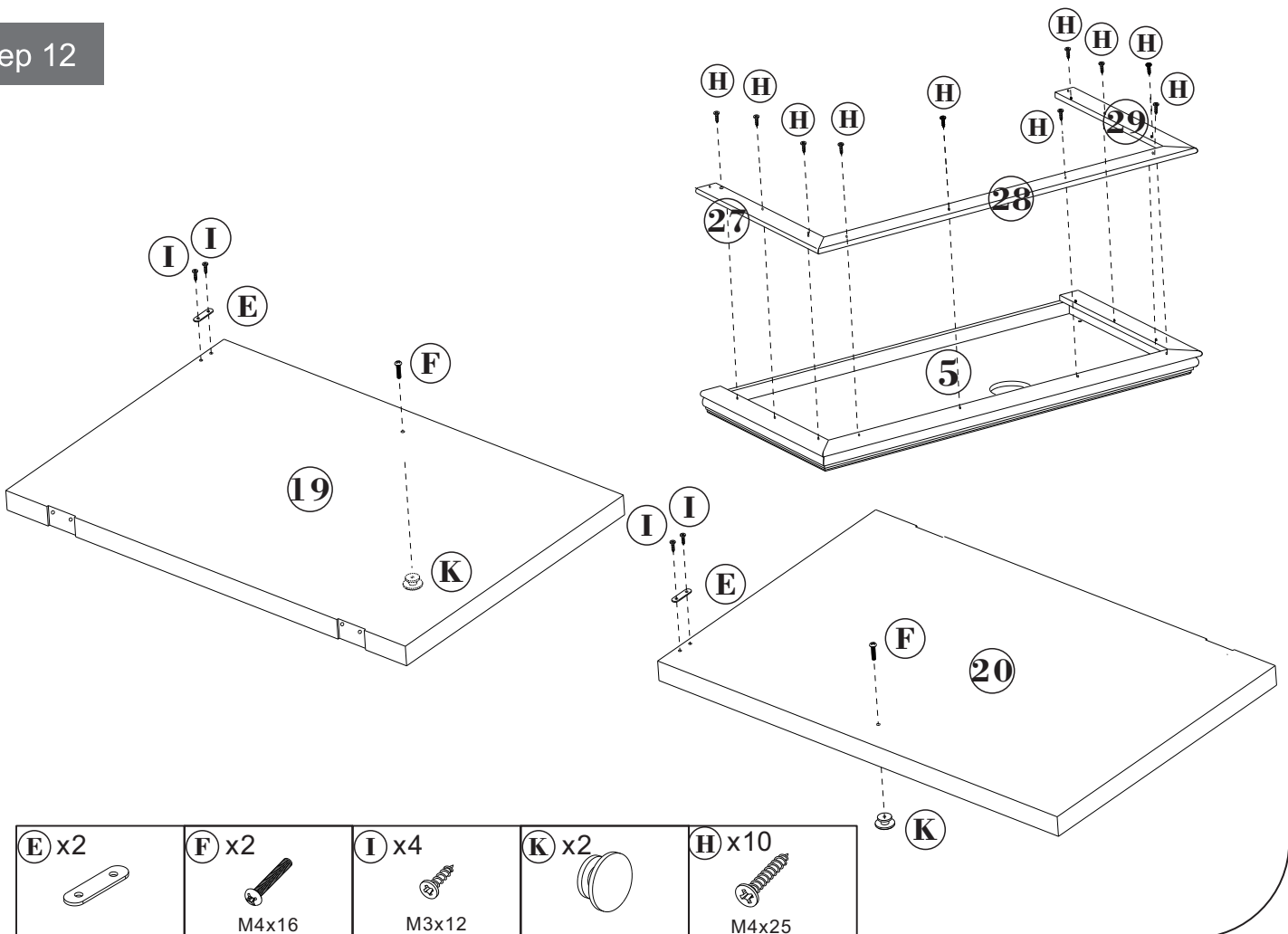
Assembly Instructions

Step 11



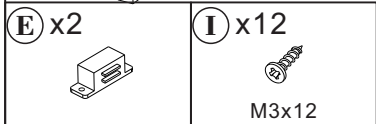
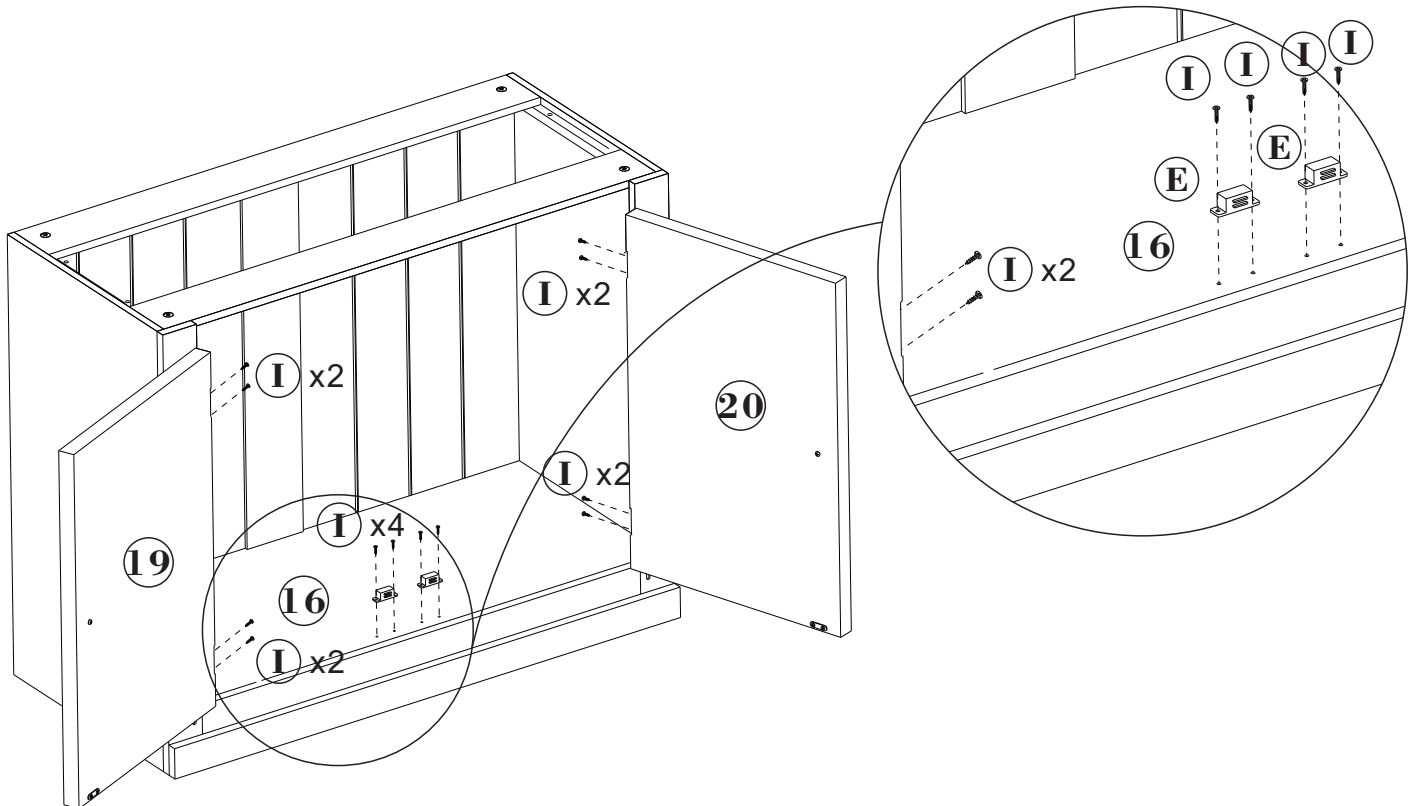
Don't fully tighten the G bolts to leave room for adjustment. Tighten them at last.

Step 12

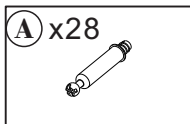
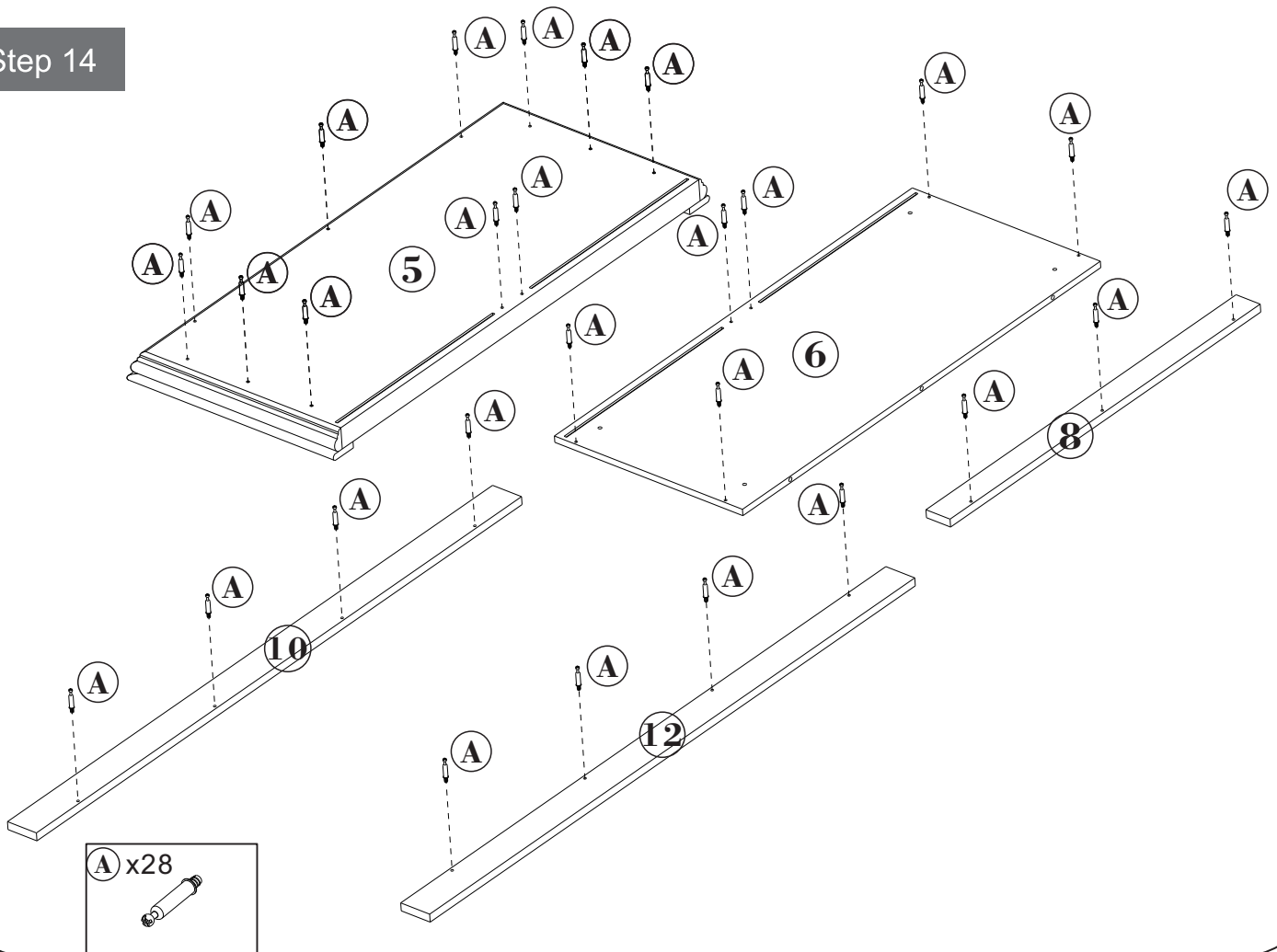


Assembly Instructions

Step 13

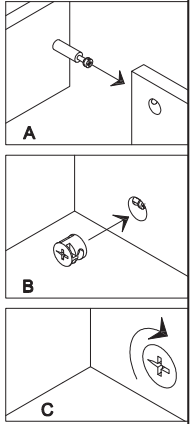
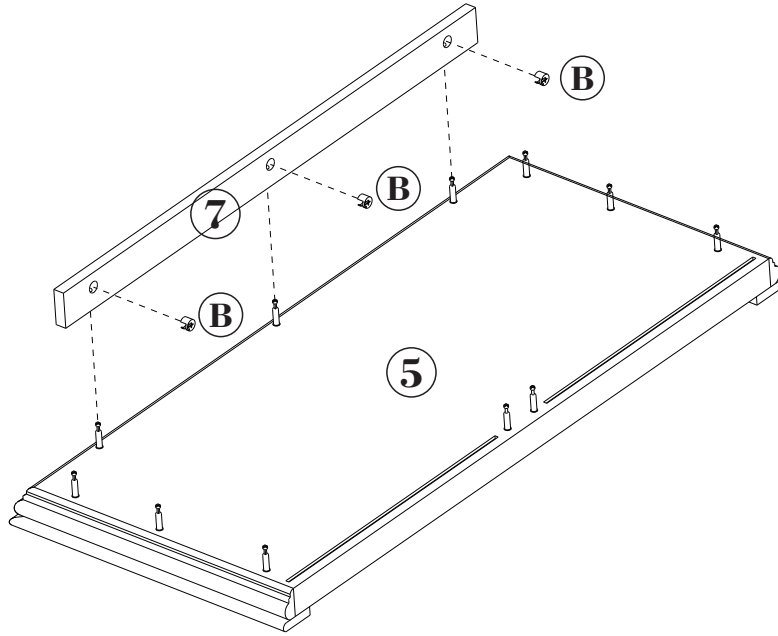


Step 14



Assembly Instructions

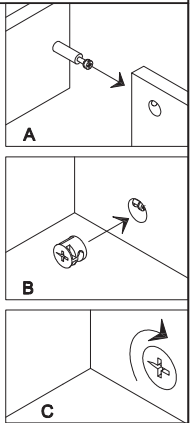
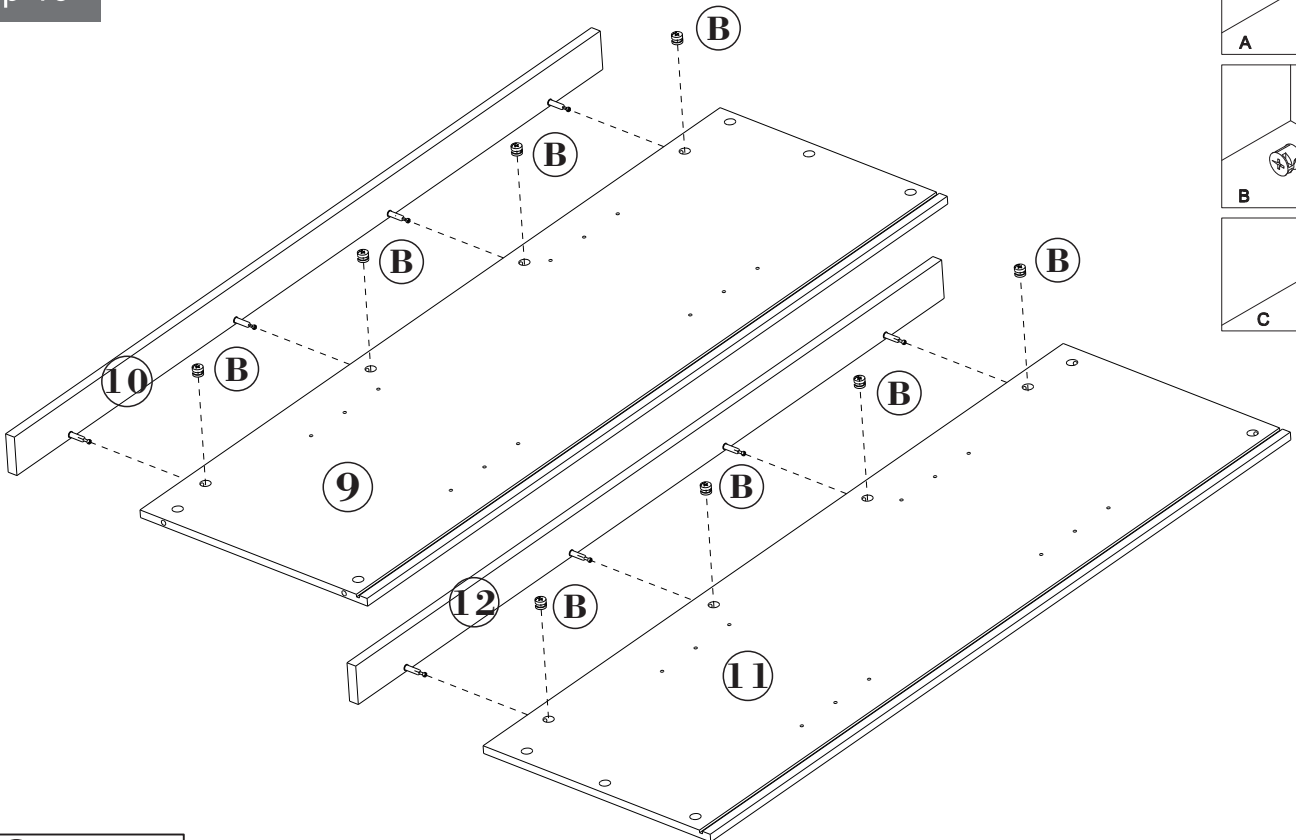
Step 15



B x3



Step 16

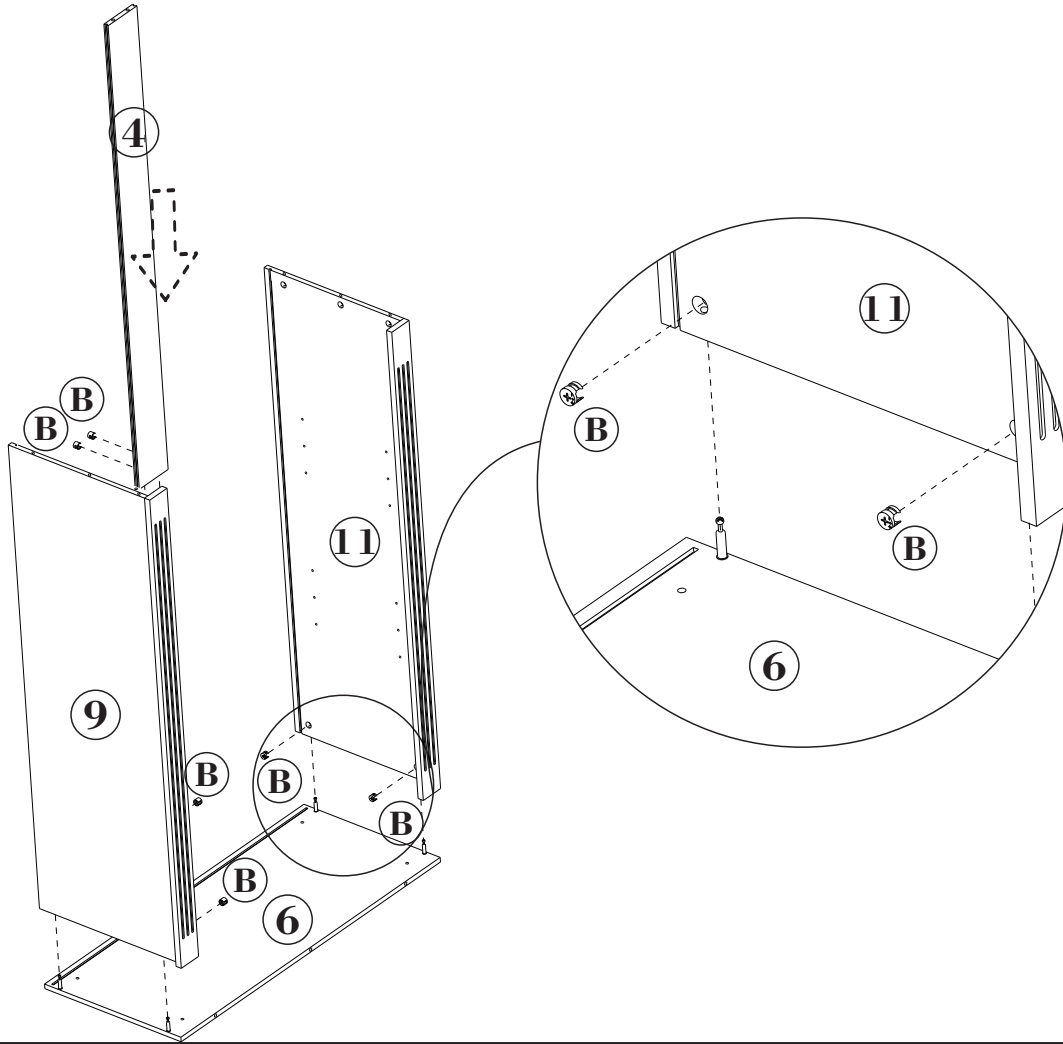


B x8

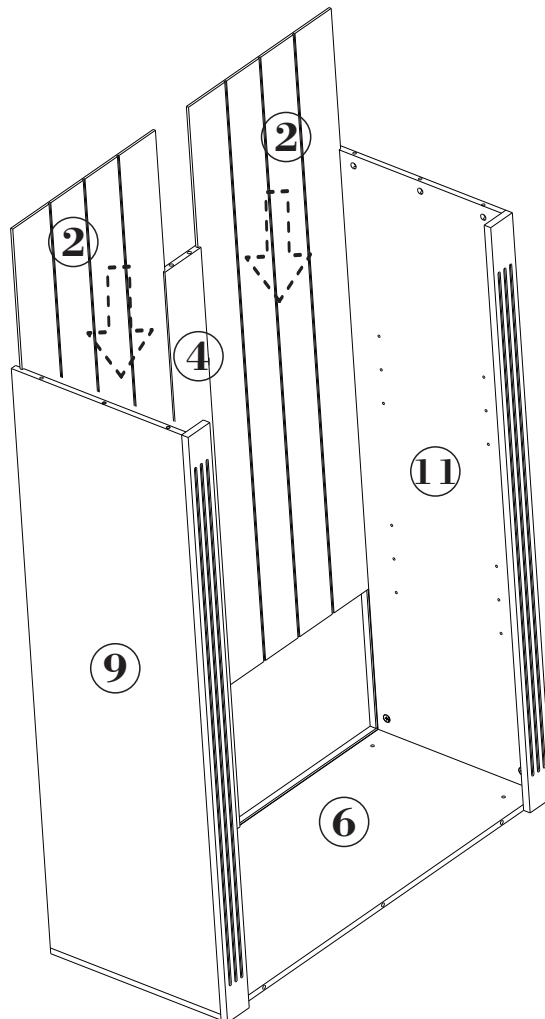


Assembly Instructions

Step 17

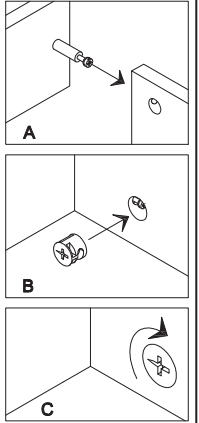
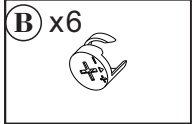
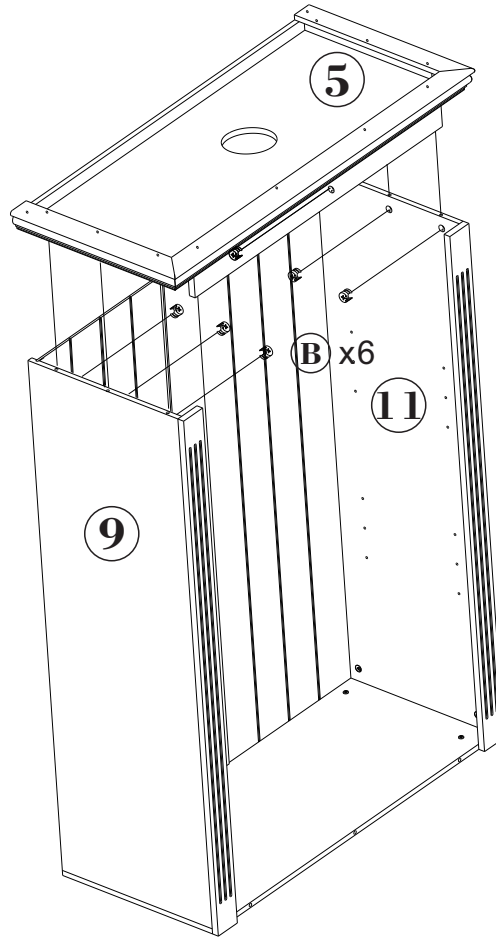


Step 18

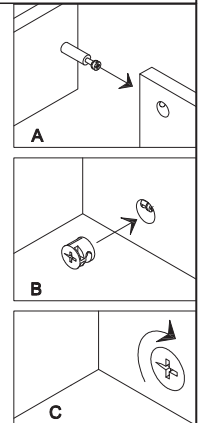
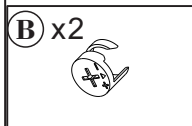
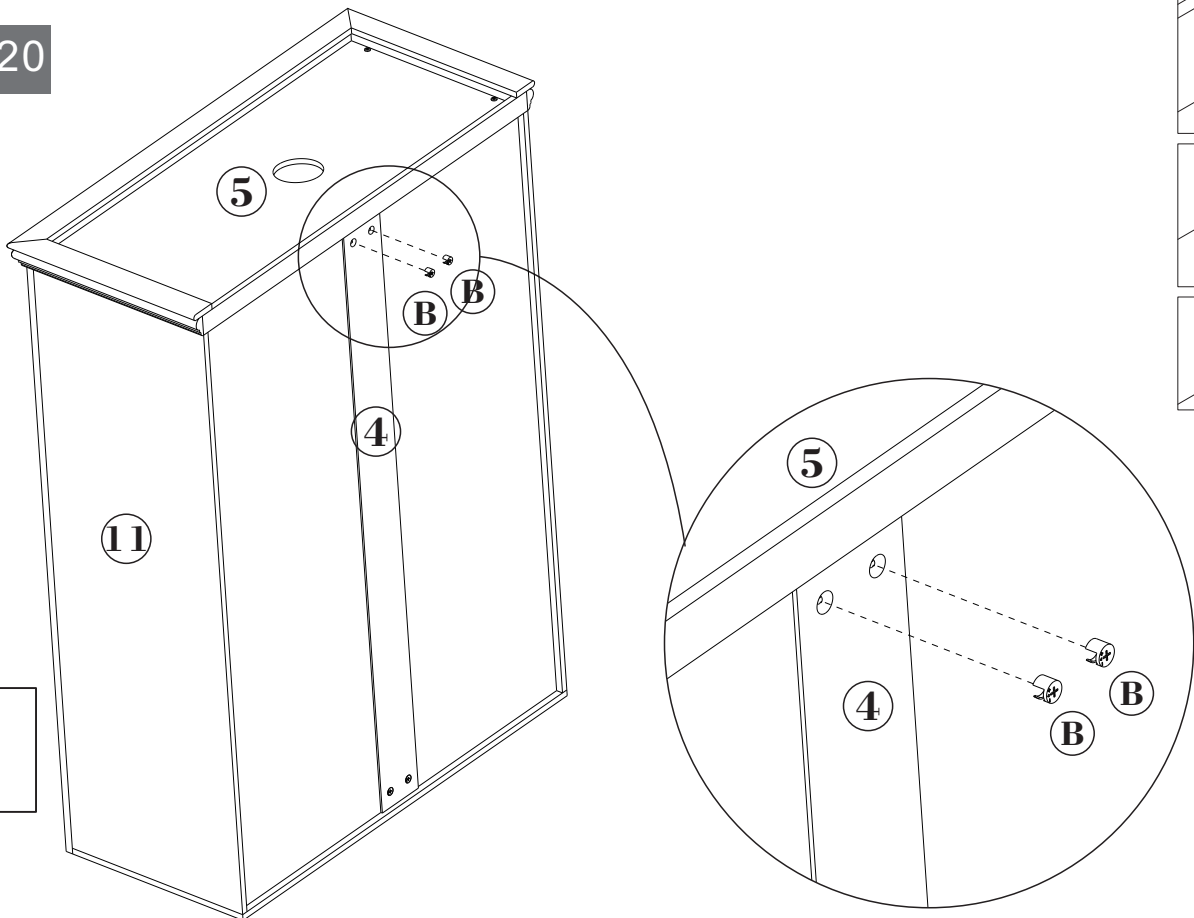


Assembly Instructions

Step 19

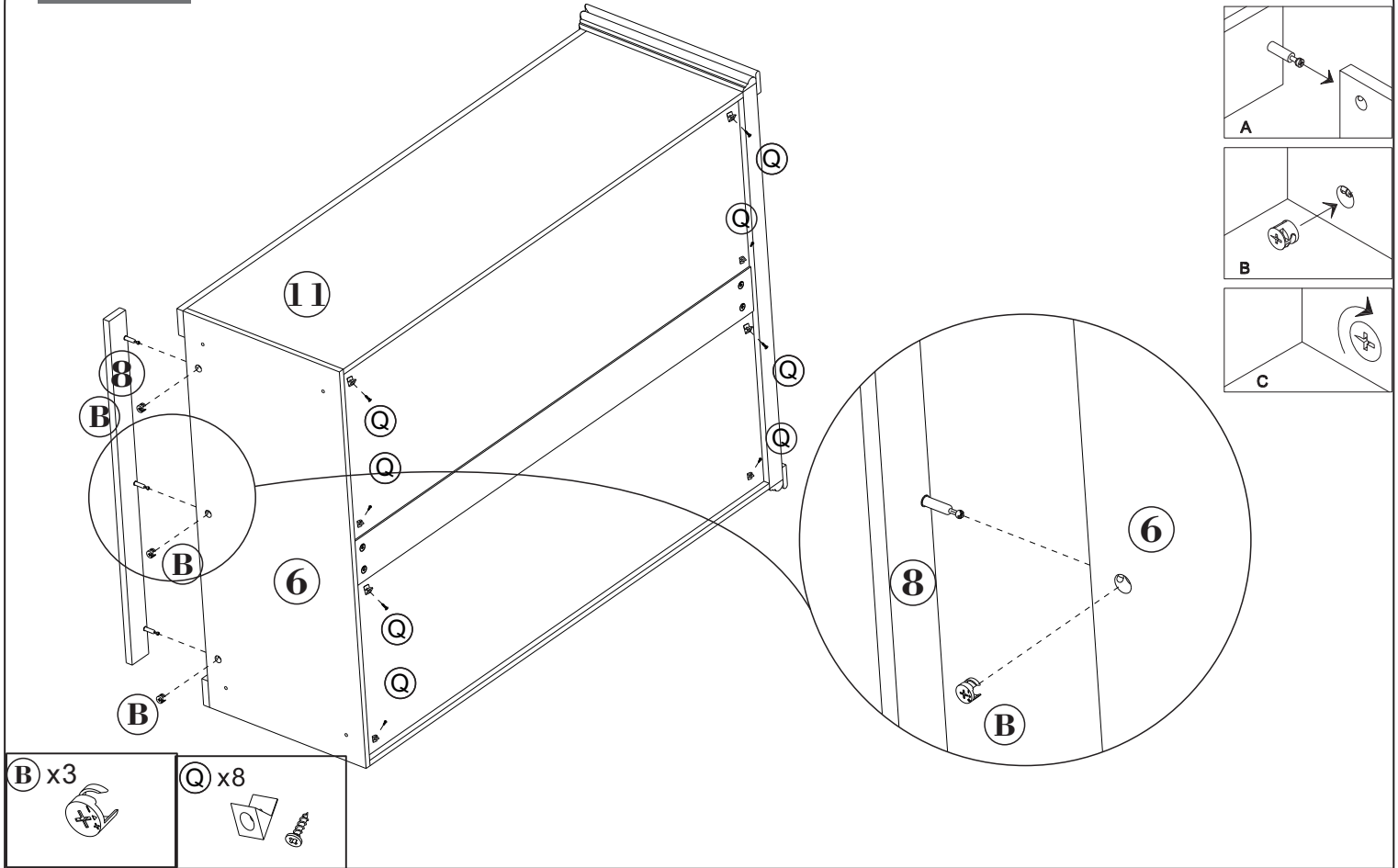


Step 20

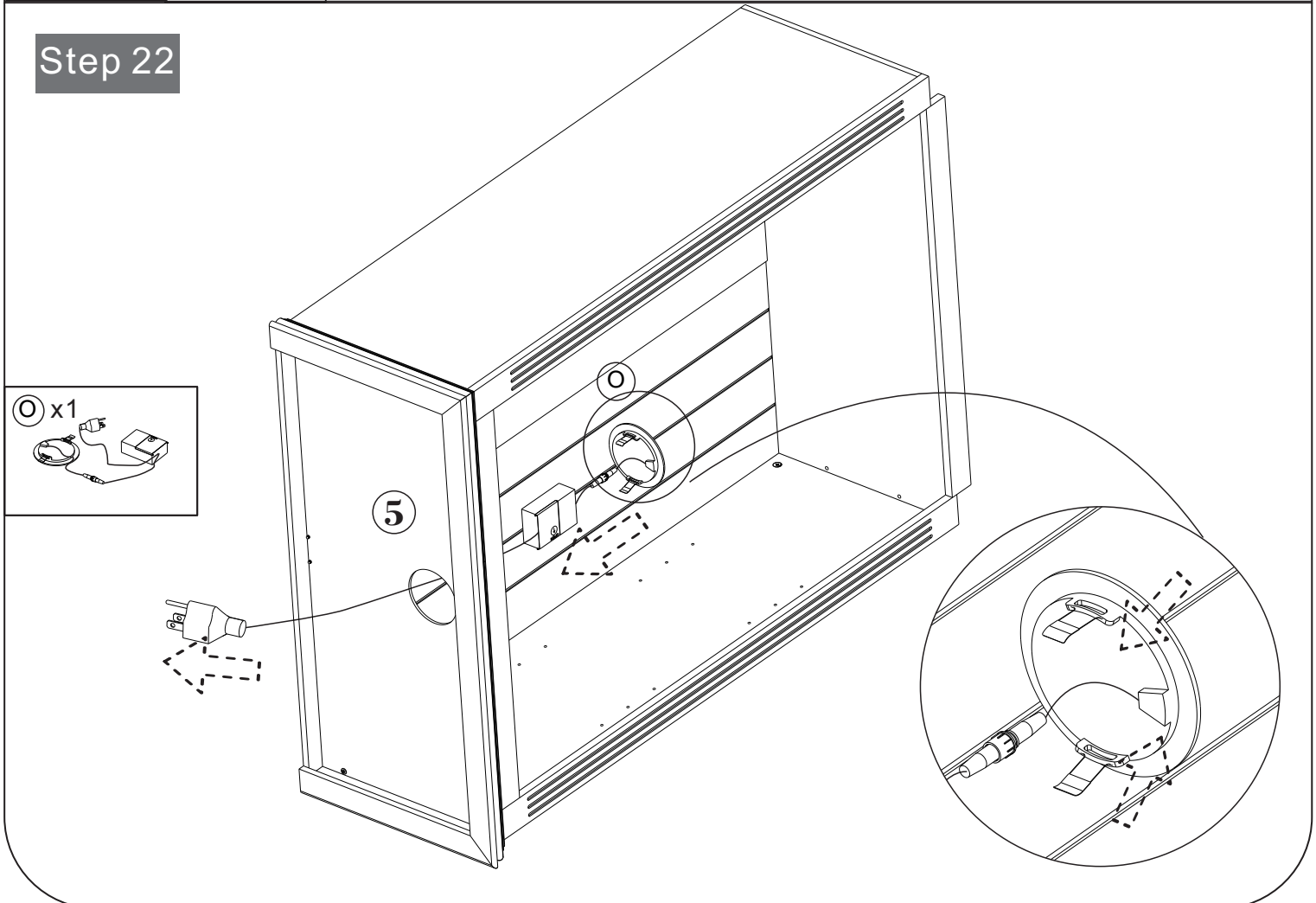


Assembly Instructions

Step 21

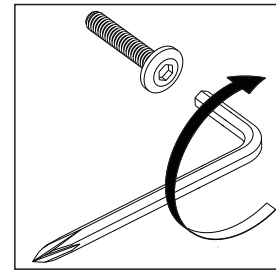
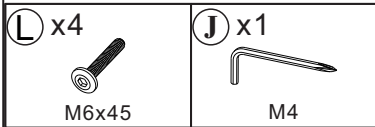
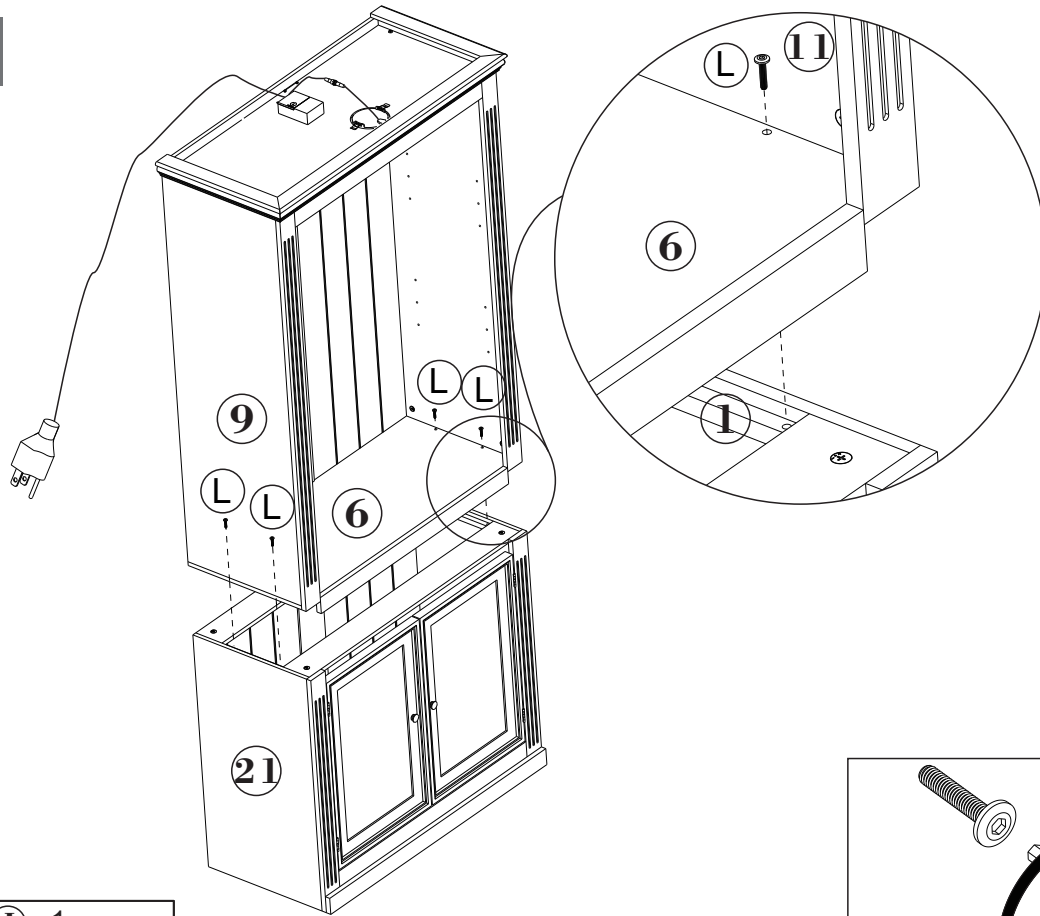


Step 22

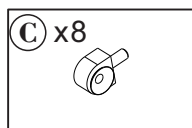
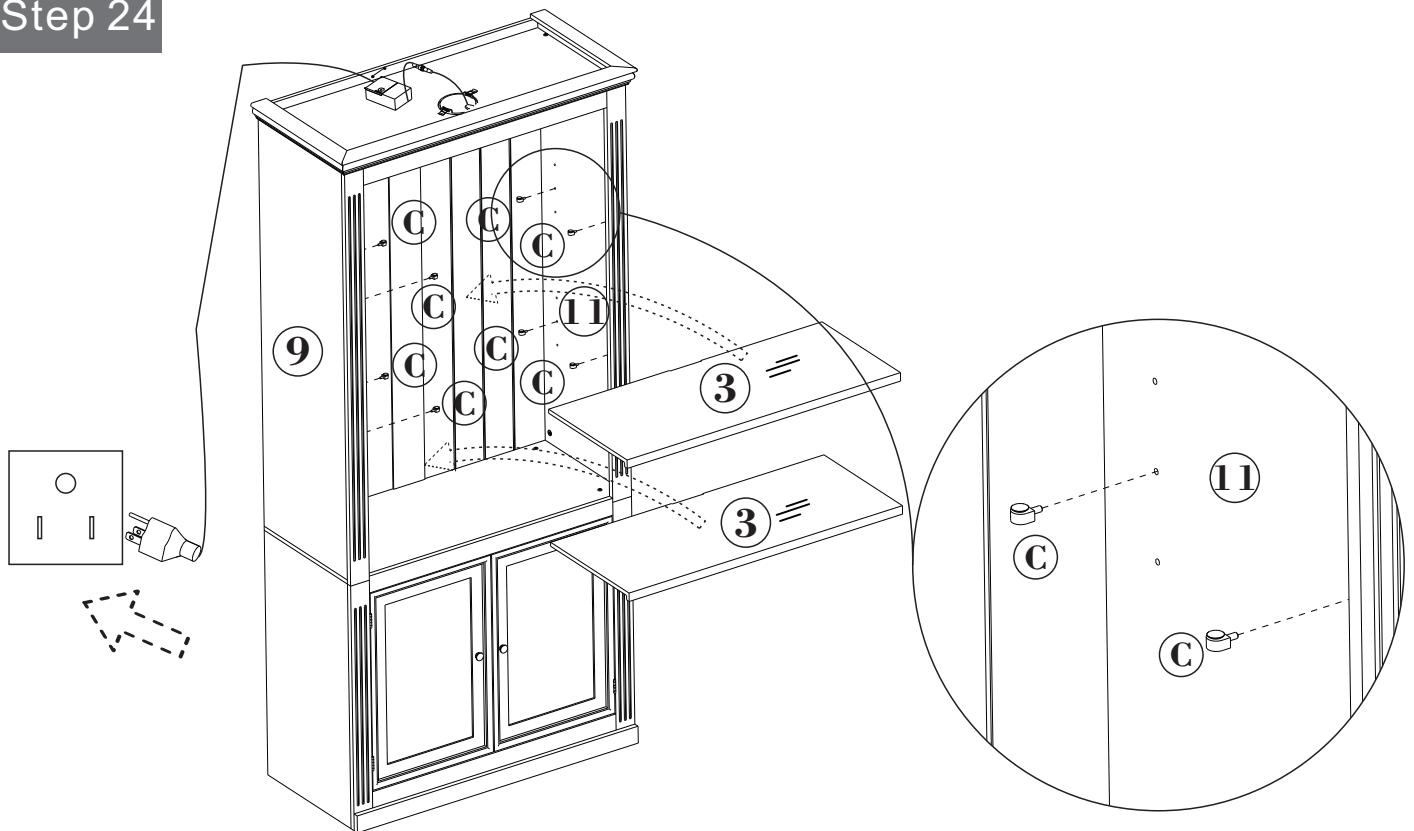


Assembly Instructions

Step 23



Step 24



Optional Item

Step 25

When the accessory cabinet is purchased, this product can be integrated with other products to form a modular cabinet system.

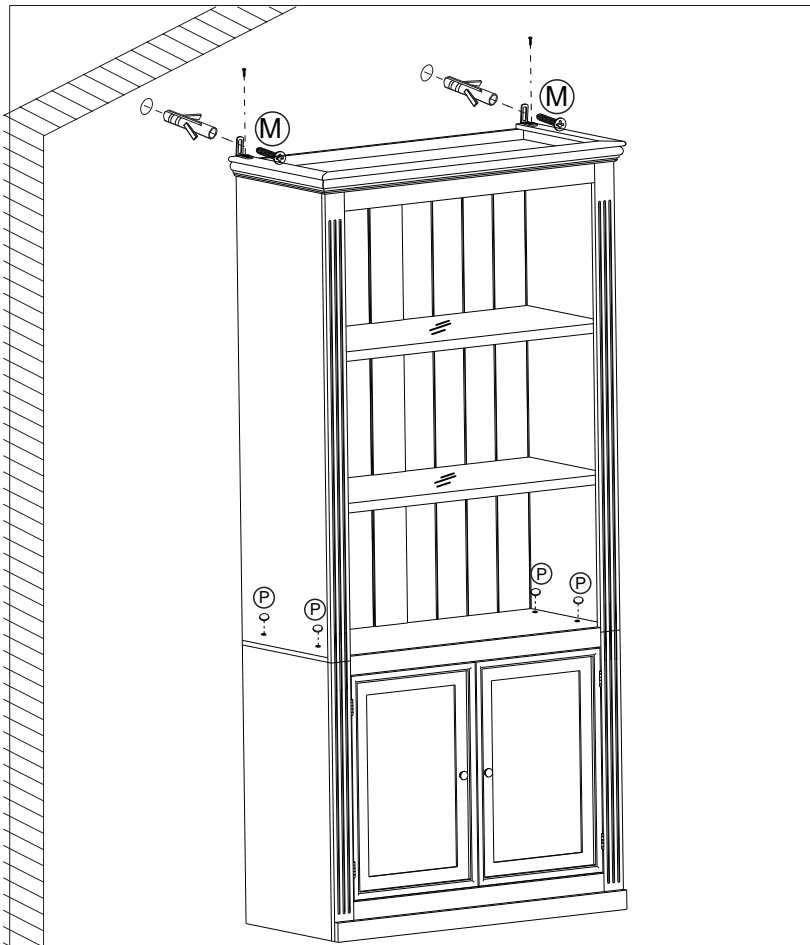


I x4



M4x20

Assembly Instructions



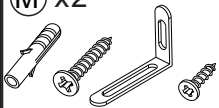
P x4



O x1



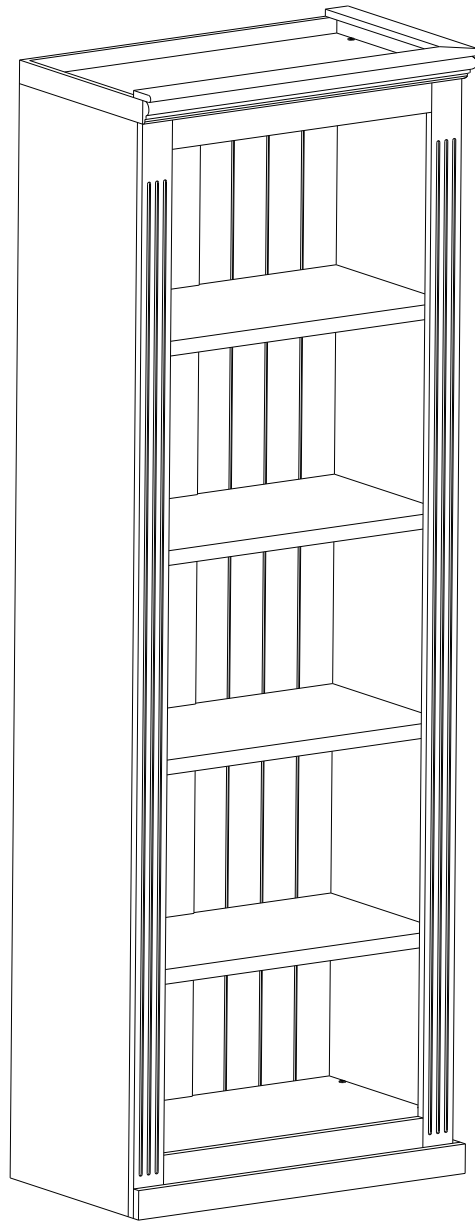
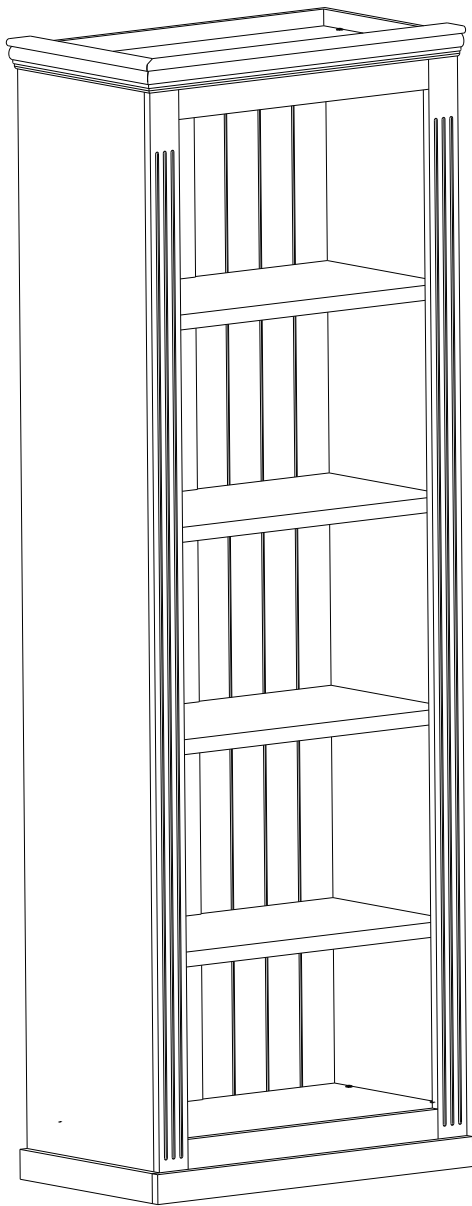
M x2



2700k-5000k LED downlights offer adjustable warm to cool white light via a switch behind the transformer, energy-efficient and long-lasting.

Bathroom storage cabinet

Assembly Instructions - Please keep for future reference



Important - Please read these instructions fully before starting assembly

Issue 1 - 14/09/24

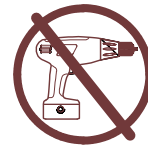


Safety and Care Advice

Important – Please read these instructions fully before starting assembly

- Check you have all the components and tools listed on the following pages.
- Remove all fittings from the plastic bags and separate them into their groups.
- Keep children and animals away from the work area, small parts could choke if swallowed.
- Make sure you have enough space to layout the parts before starting.

- During assembly do not stand or put weight on the product, this could cause damage.
- Assemble the item as close to its final position (in the same room) as possible.
- Assemble on a soft level surface to avoid damaging the unit or your floor.
- Parts of the assembly will be easier with 3 people.



- To reduce the likelihood of damaging your product please ensure that your power drill is set on a low torque setting.

Care and maintenance

- Only clean using a damp cloth and mild detergent, do not use bleach or abrasive cleaners.
- From time to time check that there are no loose screws on this unit.
- This product should not be discarded with household waste. Take to your local authority waste disposal centre.

Handy Hints

- Assemble all parts and bolts loosely during assembly, only once the product is complete should you fully tighten the bolts
- Regularly check and ensure that all bolts and fittings are tightened properly.

WARNING
In order to help prevent overturning – please follow these instructions

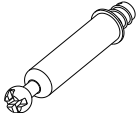



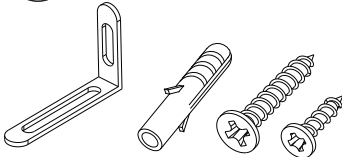
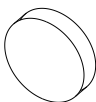
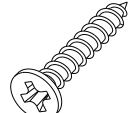
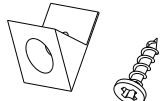
To help prevent product toppling over please follow the below steps:-

- Use the anti tip stap or wall fixing method provided (if applicable)
- Do not allow children to climb or hang on the furniture
- Do not open more than one drawer at a time
- Do not place heavy items in the top drawers
- Do not place heavy items on top of the furniture, unless the furniture has been designed for this purpose

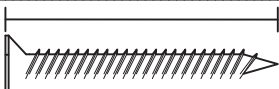
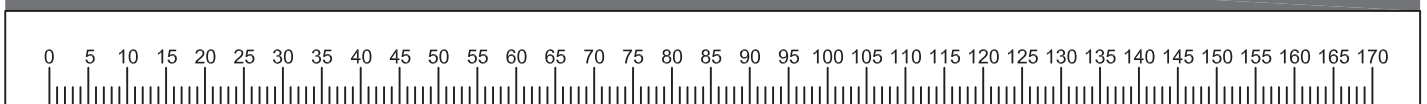
Components - Fittings

Please check you have all the panels listed below

Note: The quantities below are the correct amount to complete the assembly. In some cases more fittings may be supplied than are required.

<p>A x 104</p> 	<p>B x 104</p> 	<p>D x 28</p>  M4x25	<p>E x 1</p>  M4
<p>F x 4</p> 	<p>G x 8</p> 	<p>I x 4</p>  M4x20	<p>J x 8</p> 

Ruler - Use this ruler to help correctly identify the screws



The screws length is measured from the head to the point (35mm screw shown).

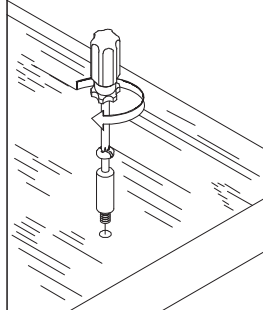
Using Camlocks

Step 1

Connect the male camlock as directed in the assembly instructions using a screwdriver.

1

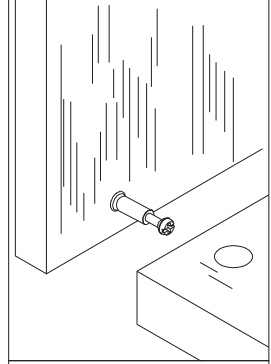
DO NOT OVER TIGHTEN.
NE PAS SERRER EXCESSIVEMENT.



Step 2

Push the male camlock into the entry hole.

2

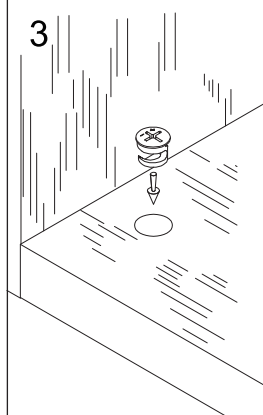


Step 3

Insert the female camlock as shown in the instruction.

Note: ensure that the arrow on the top of the camlock points towards the entry hole for the male camlock.

3



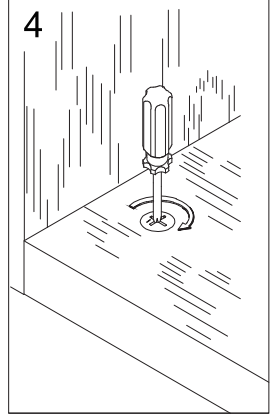
Step 4

Turn the female camlock clockwise with a screwdriver.

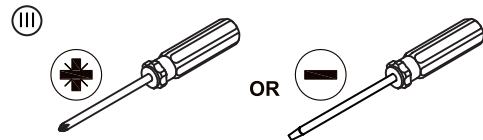
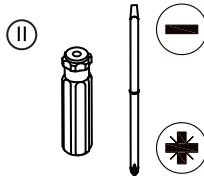
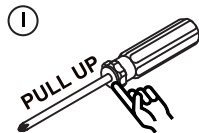
You should feel a click when the camlock is locked in place.

The joint is now secure.

4

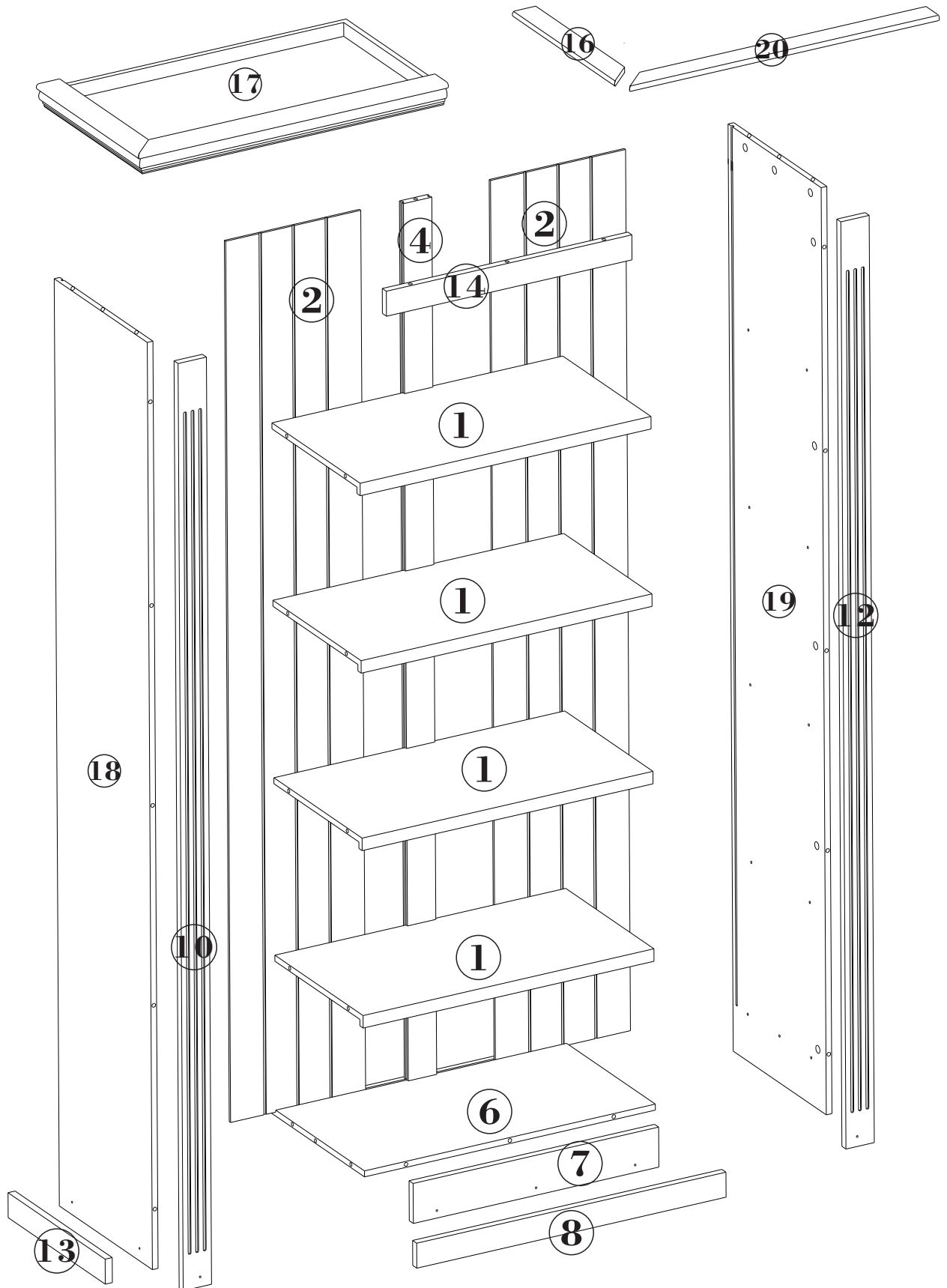


Tools required

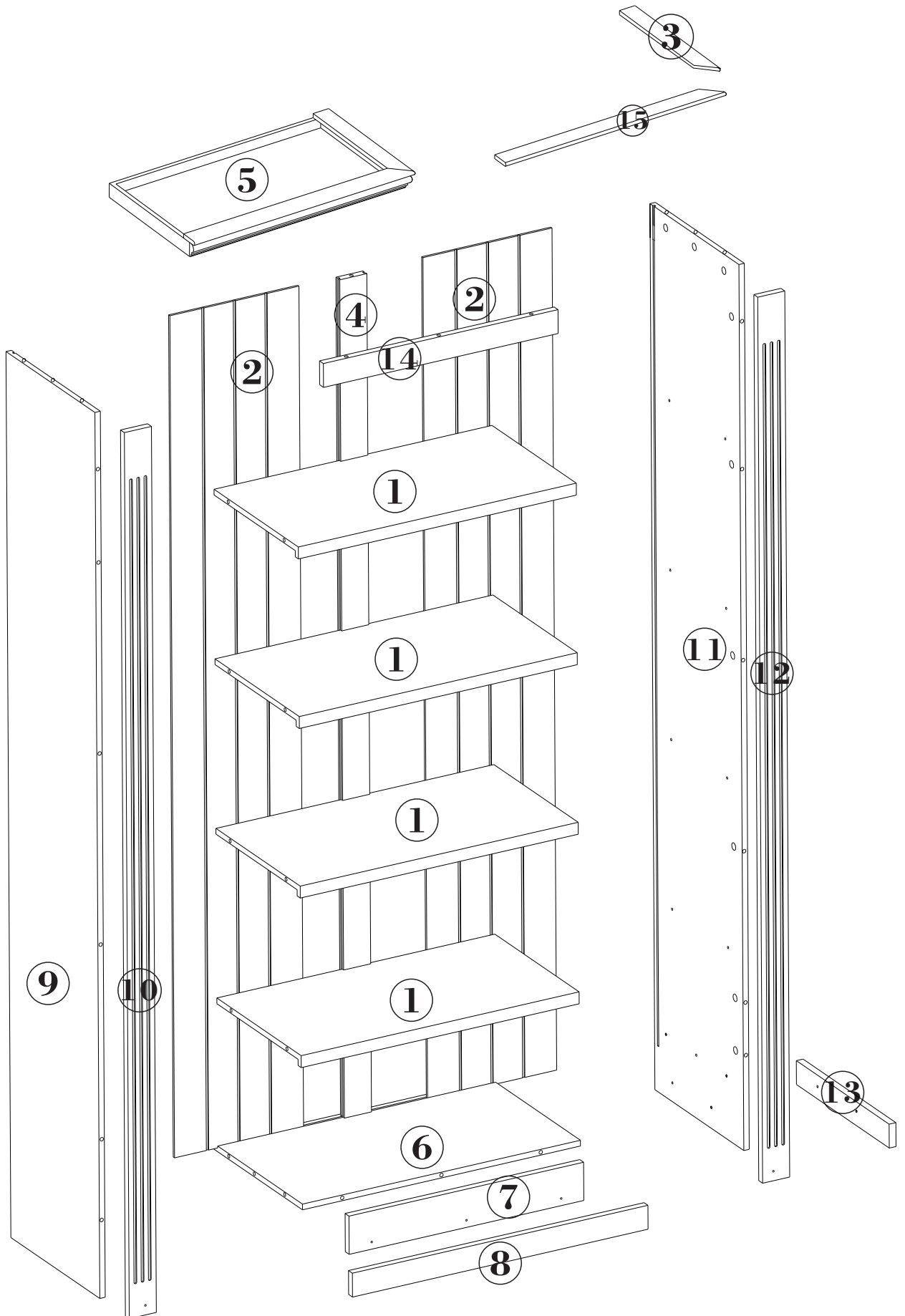


Screwdrivers can be converted to Phillips and Slotted.

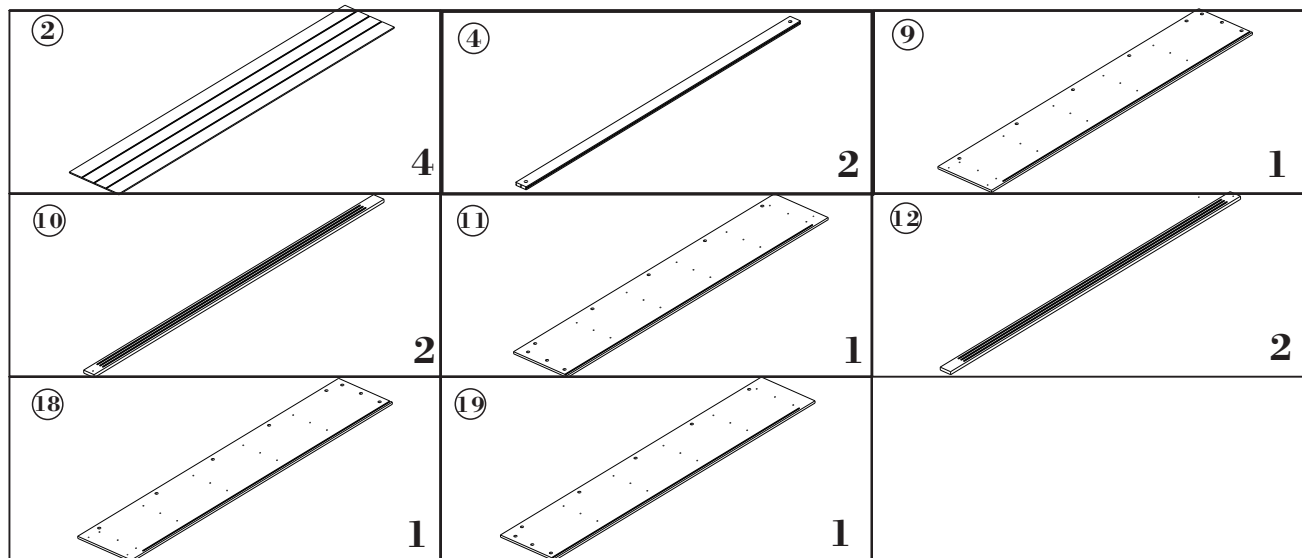
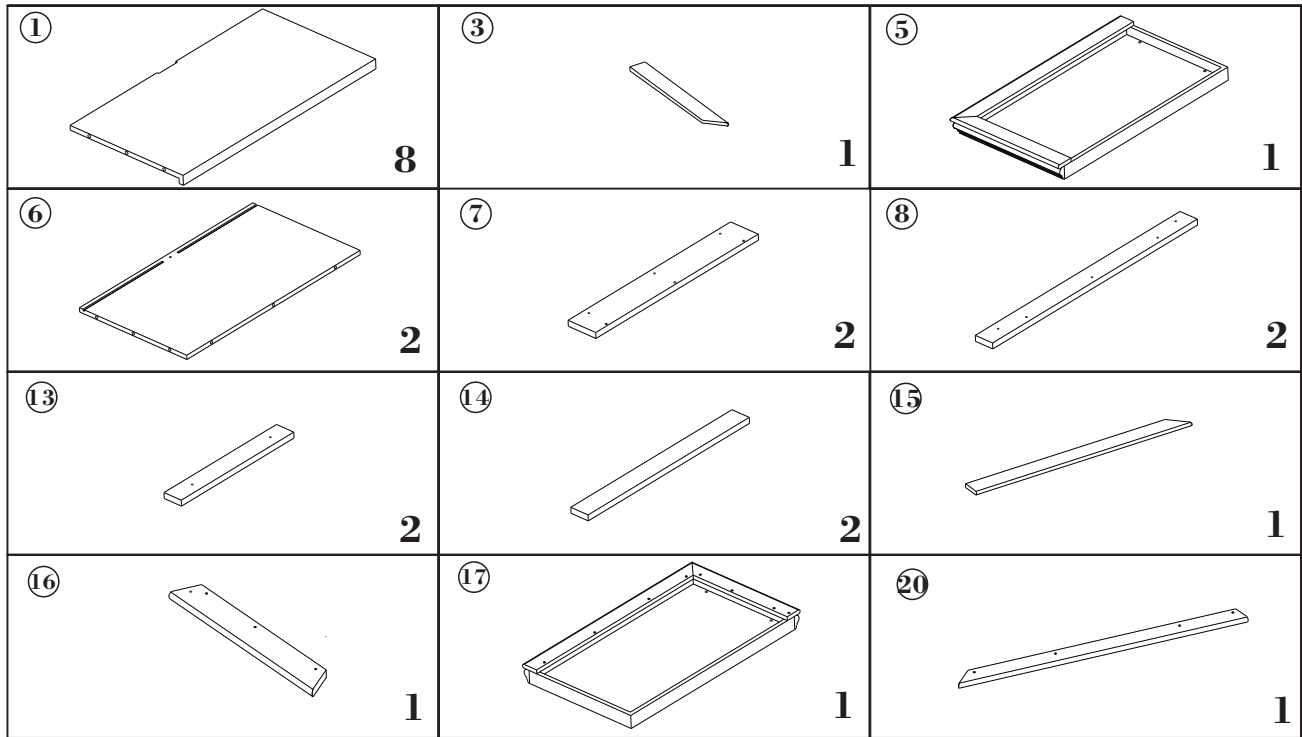
Assembly Instructions



Assembly Instructions

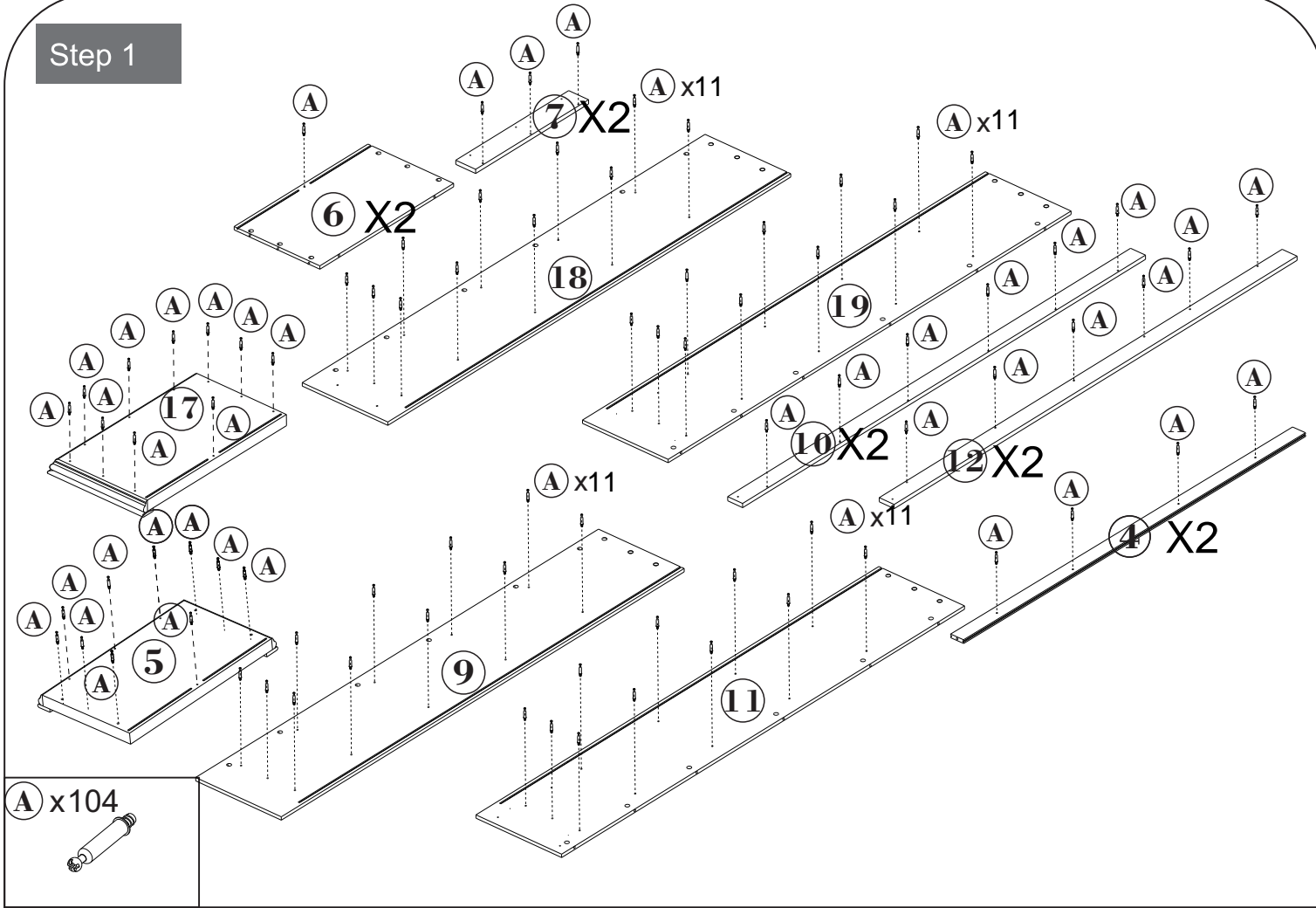


Assembly Instructions

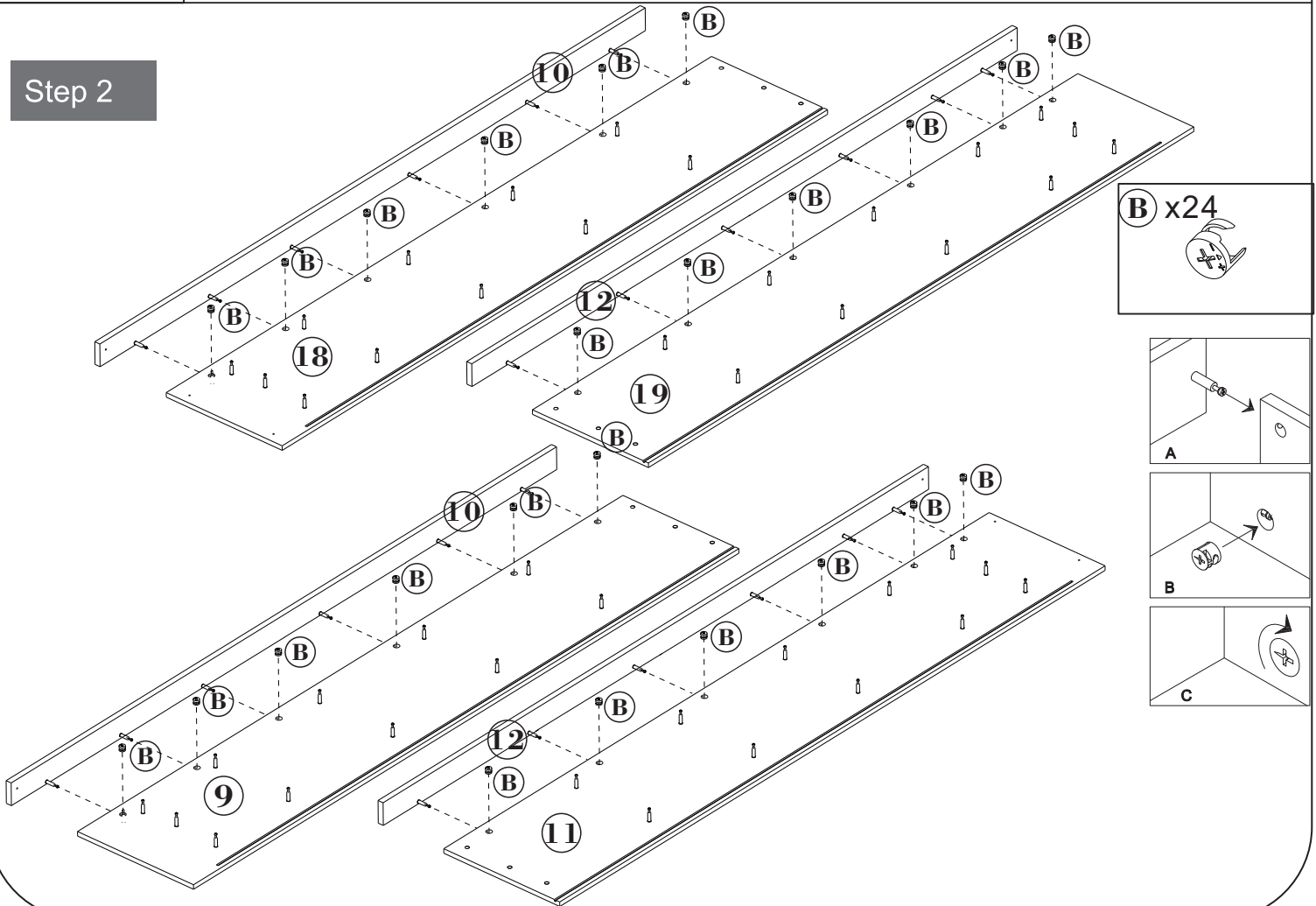


Assembly Instructions

Step 1

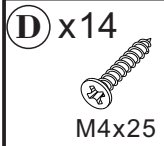
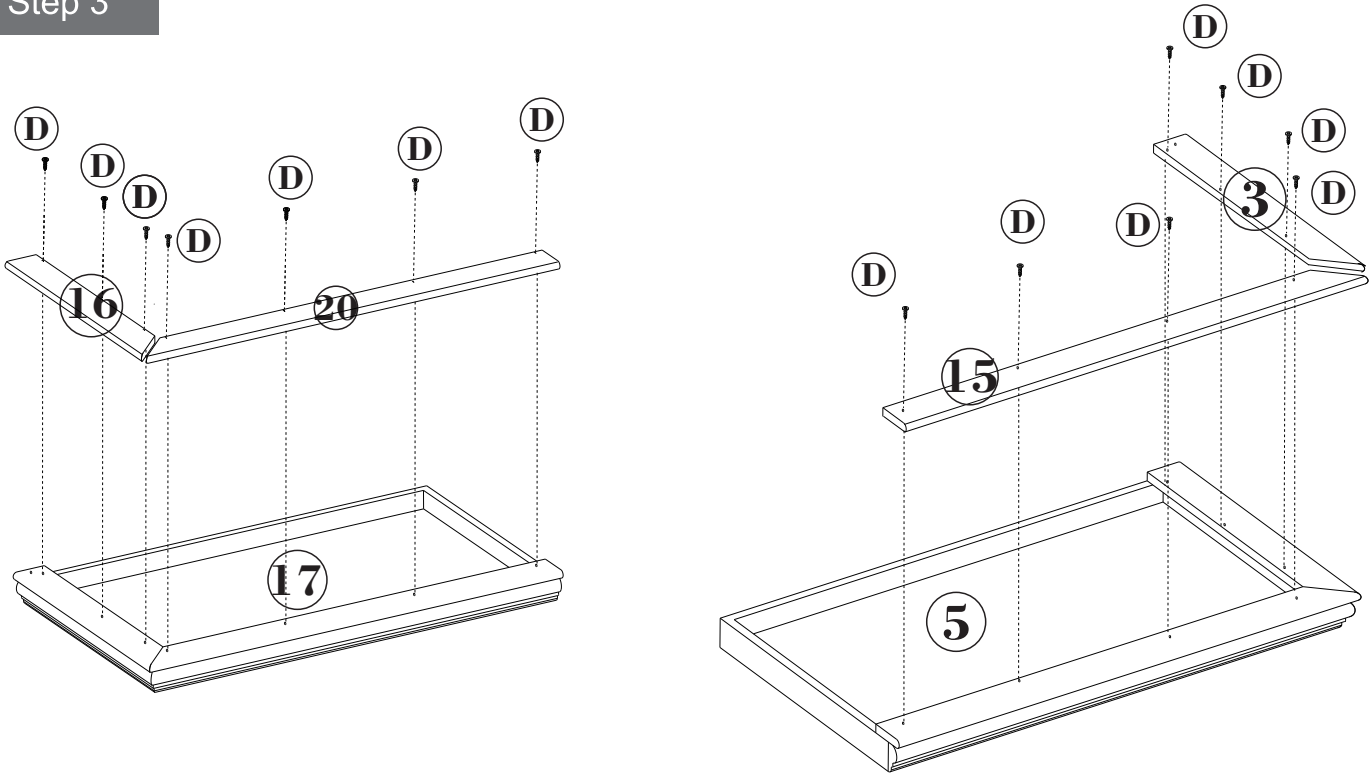


Step 2

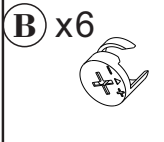
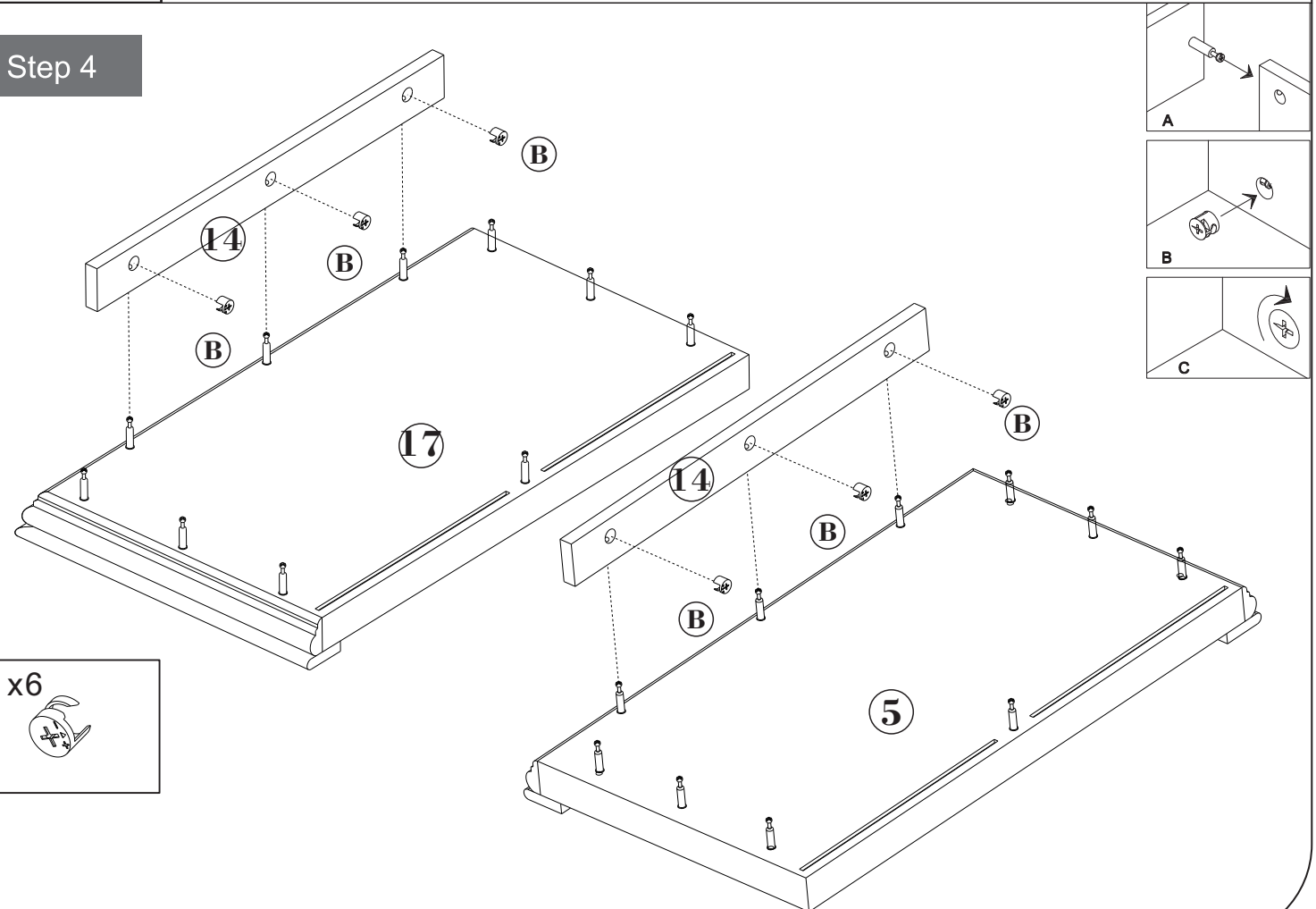


Assembly Instructions

Step 3

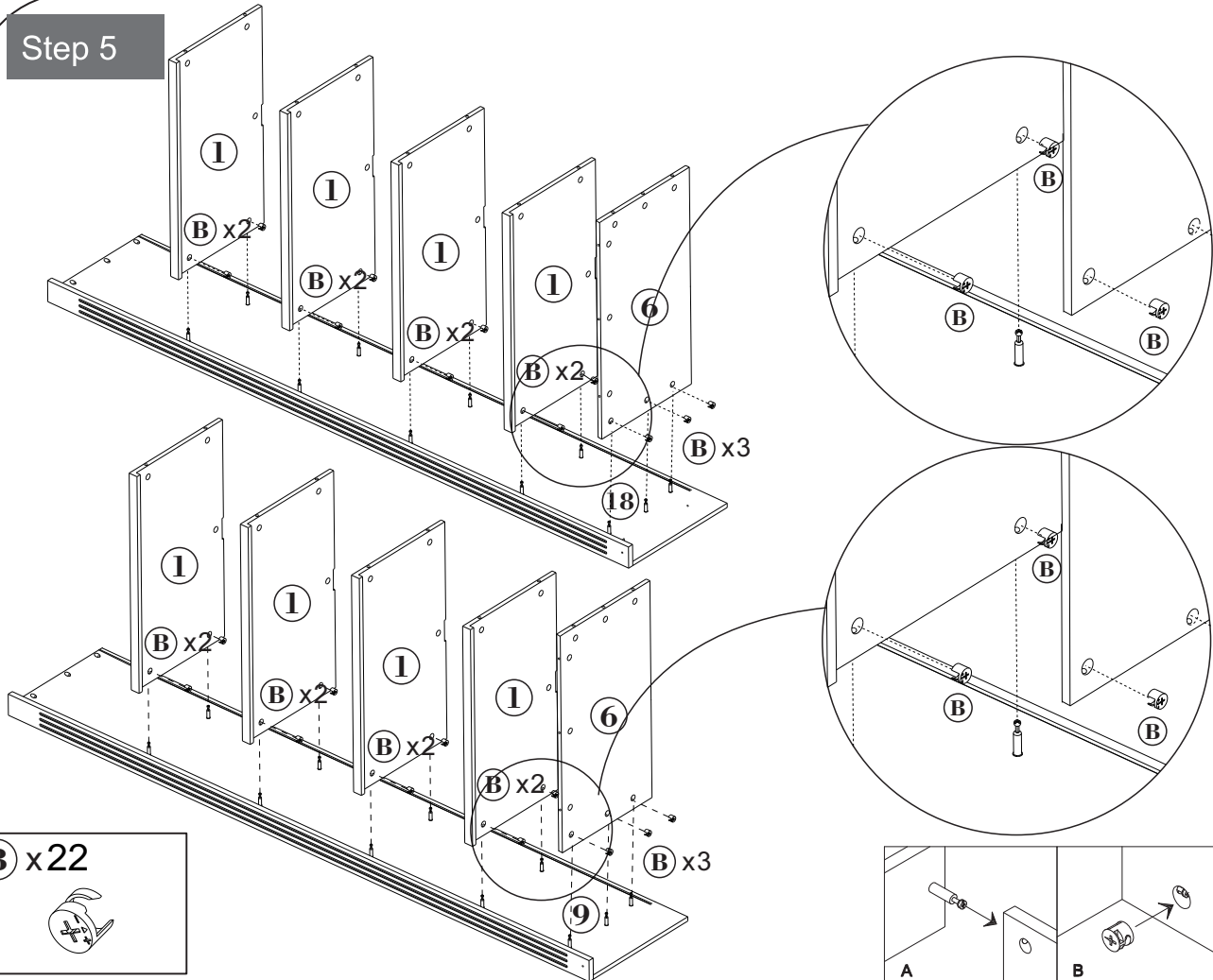


Step 4

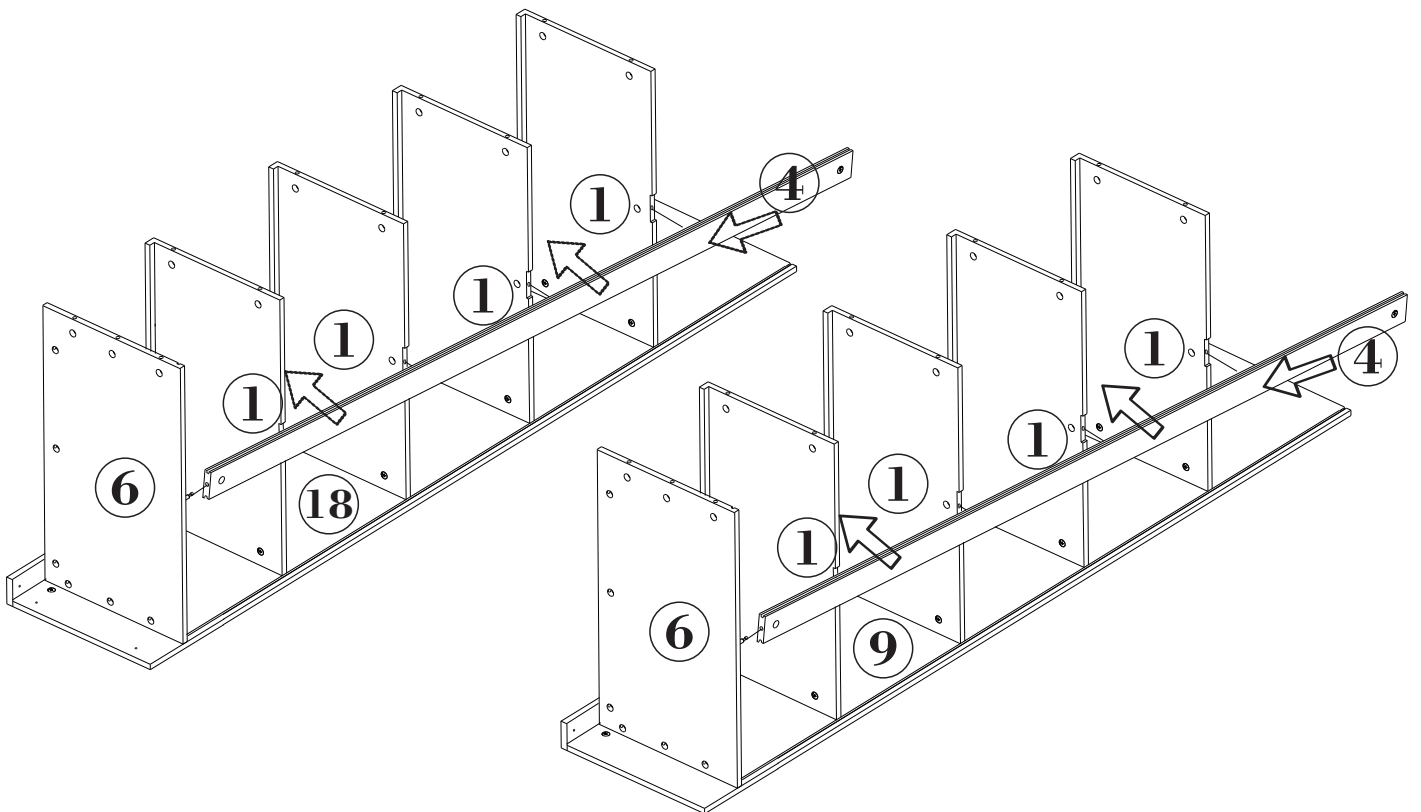


Assembly Instructions

Step 5

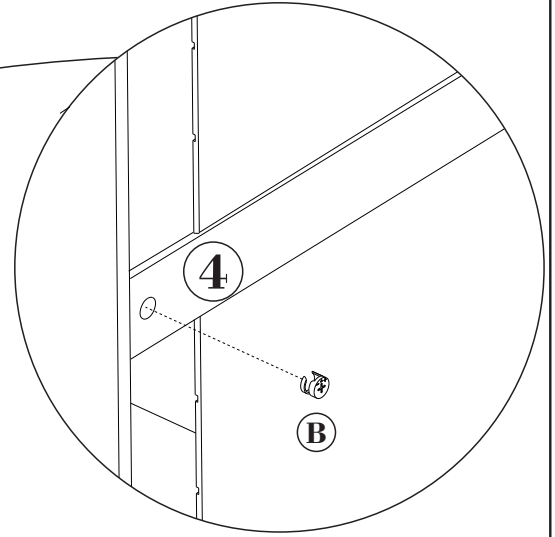
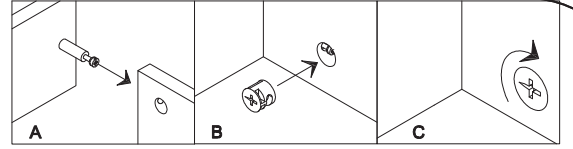
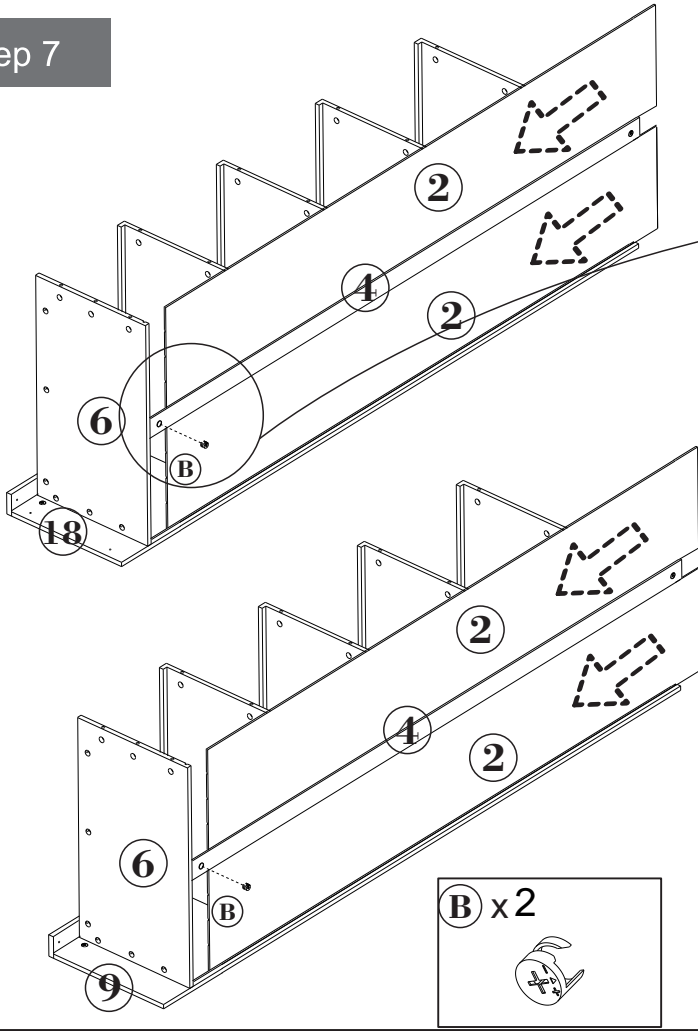


Step 6

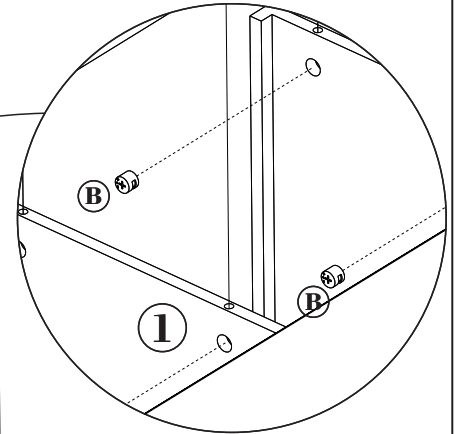
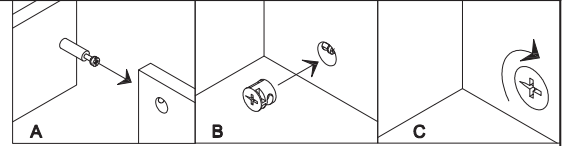
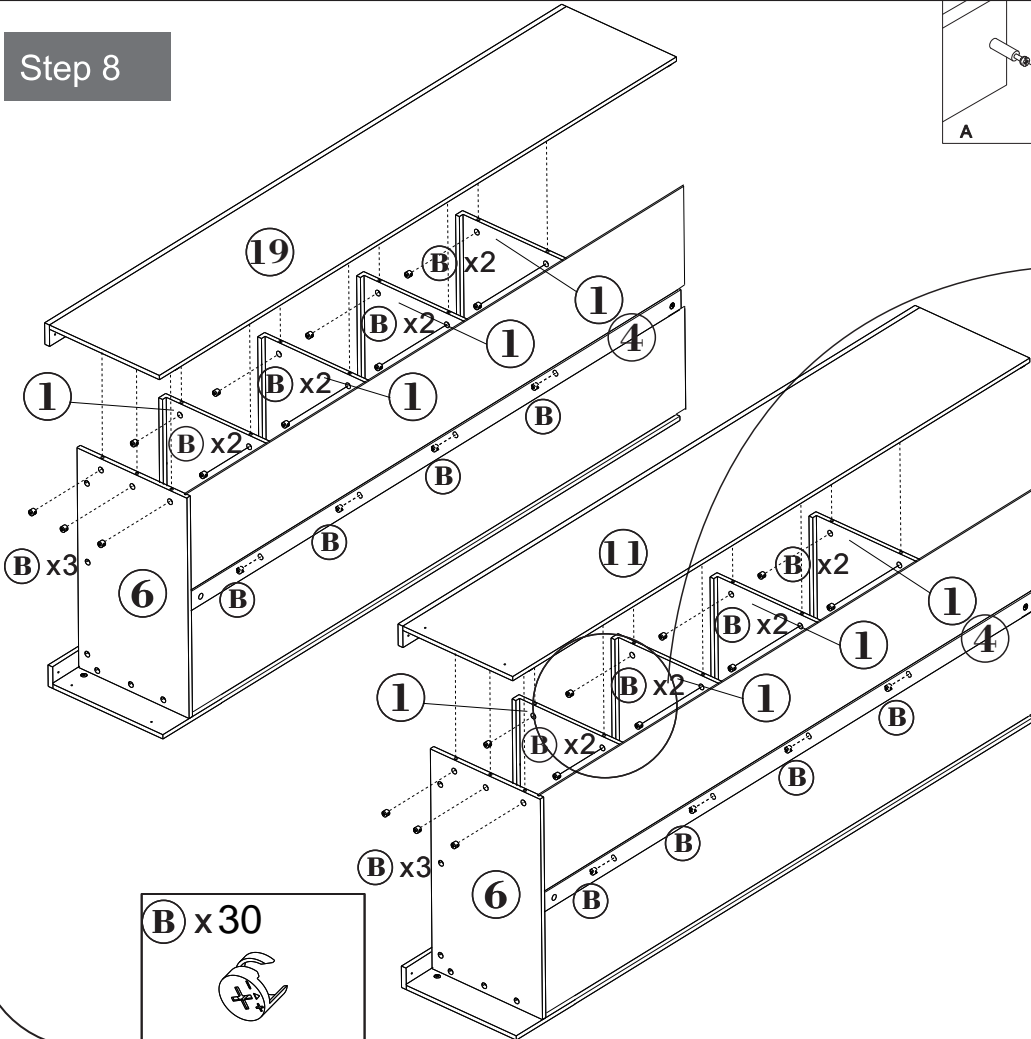


Assembly Instructions

Step 7

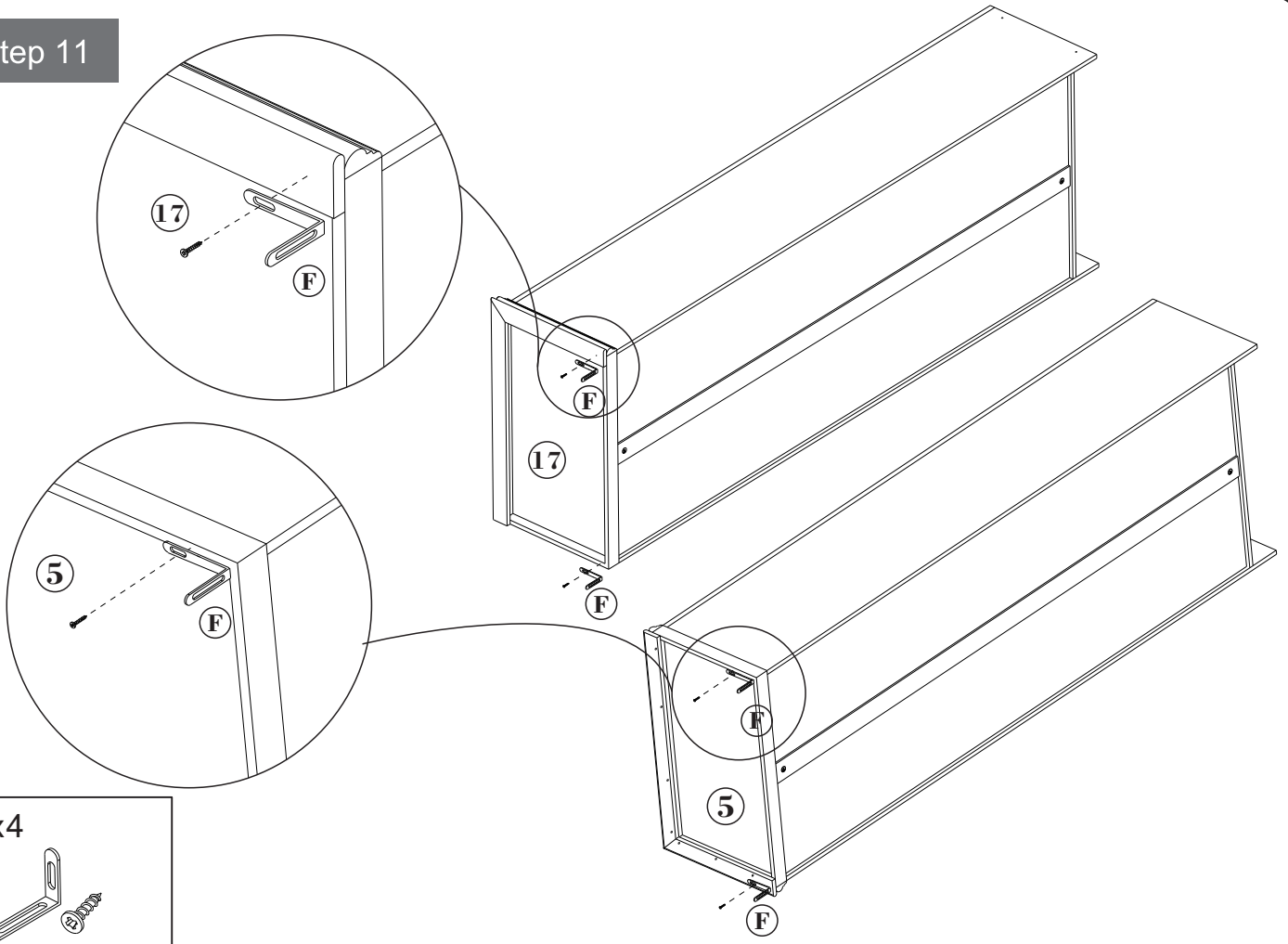


Step 8

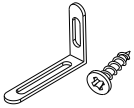


Assembly Instructions

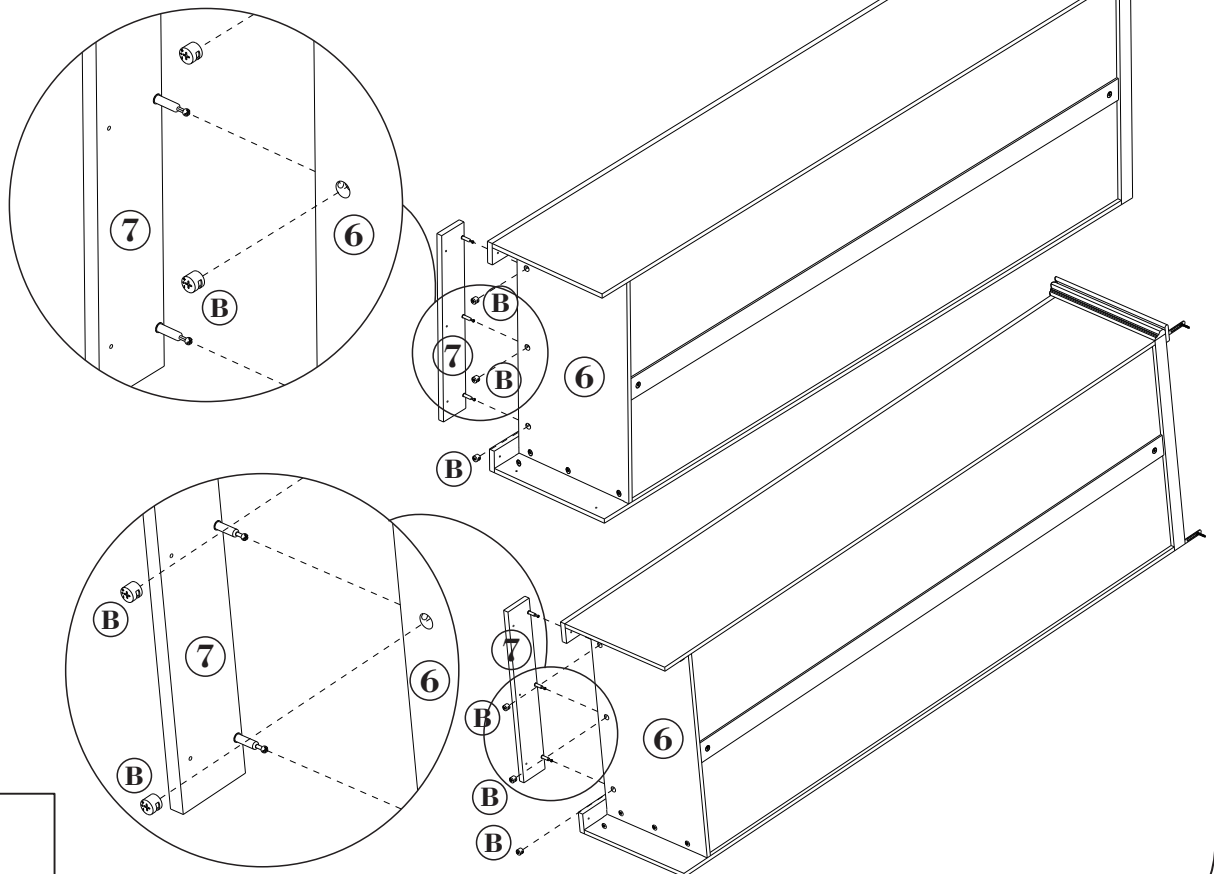
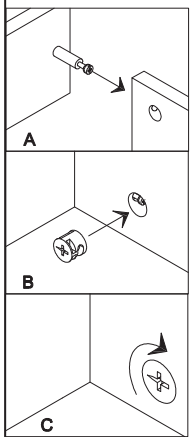
Step 11



F x4



Step 12

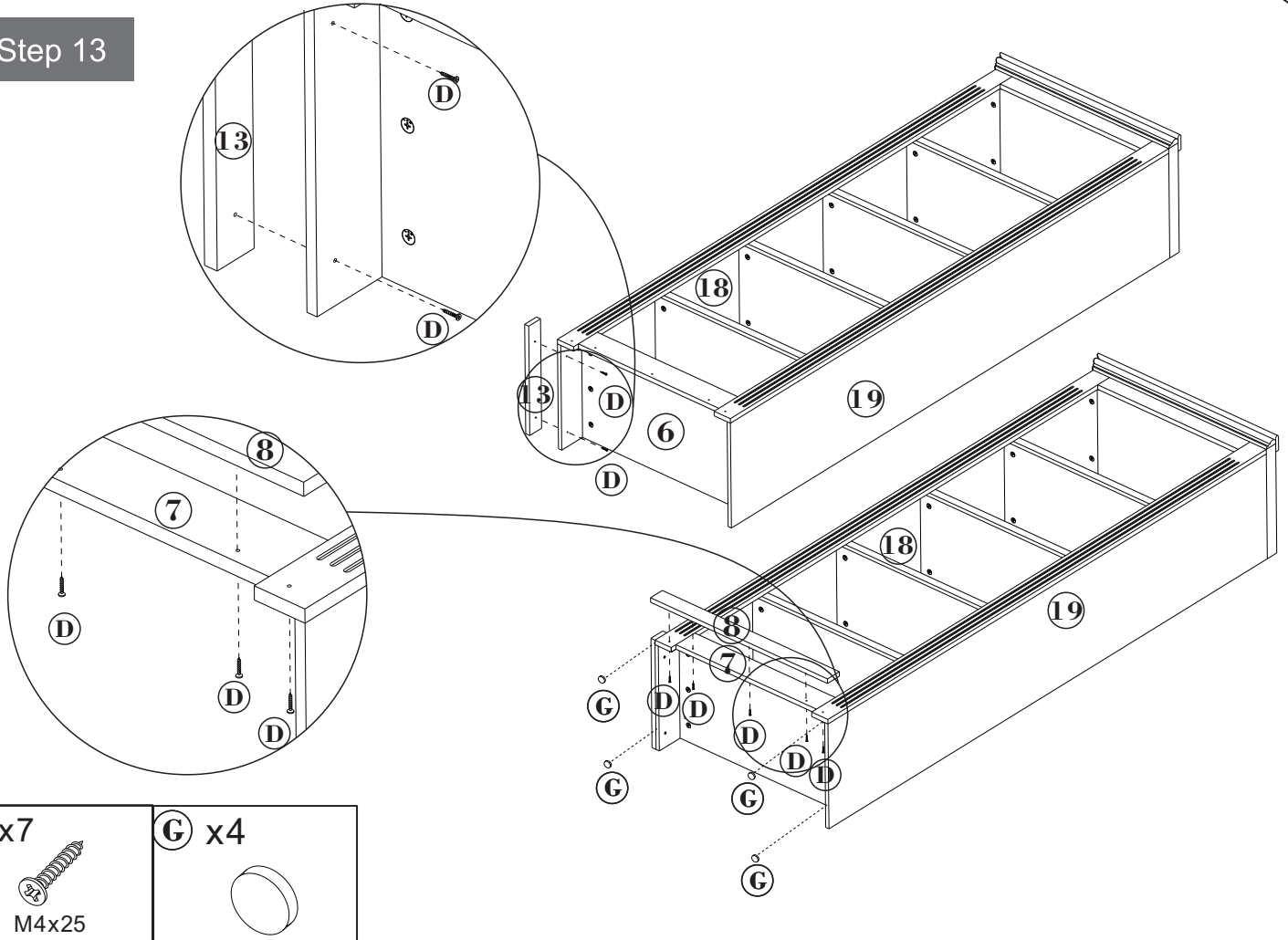


B x6

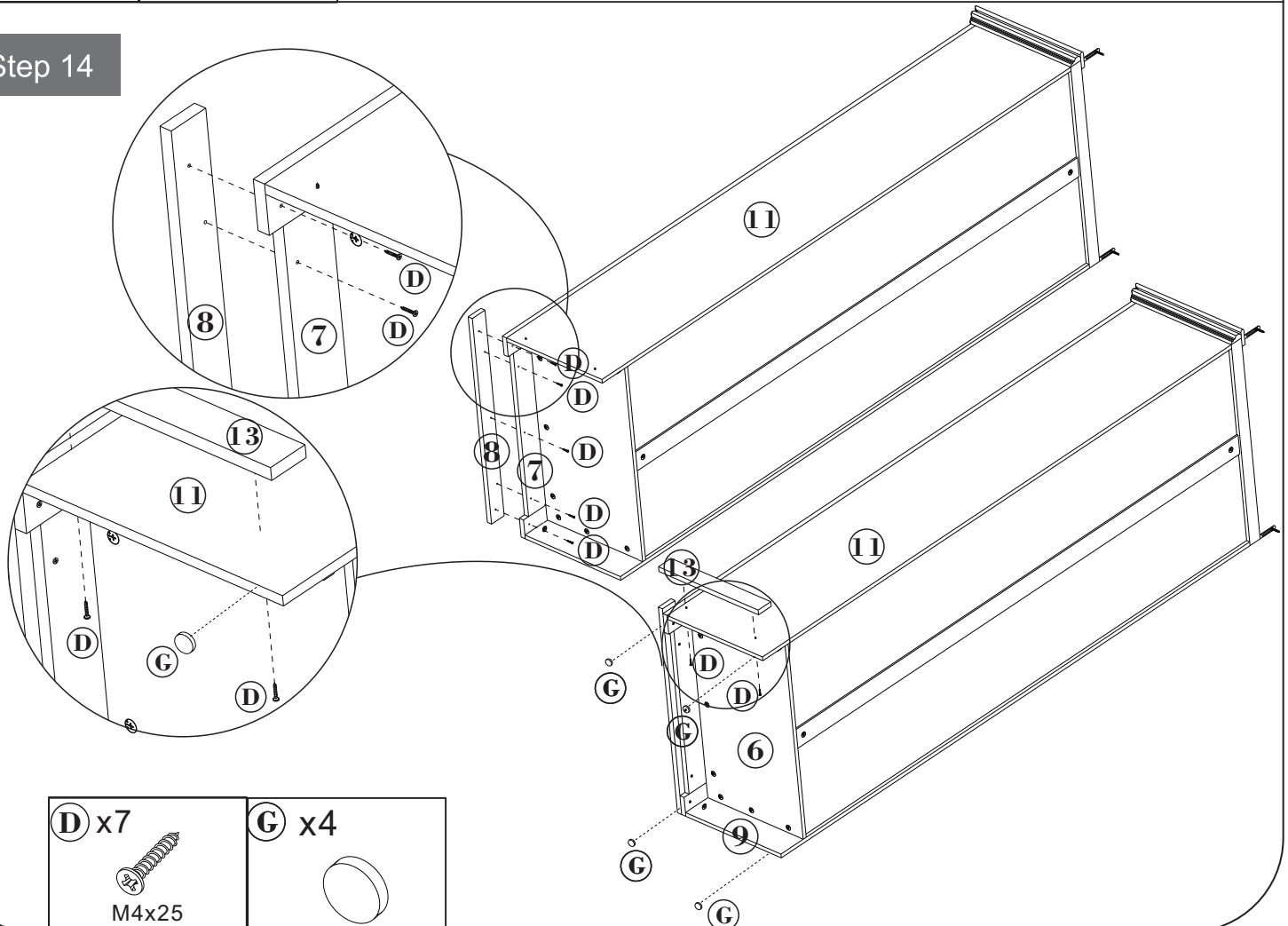


Assembly Instructions

Step 13

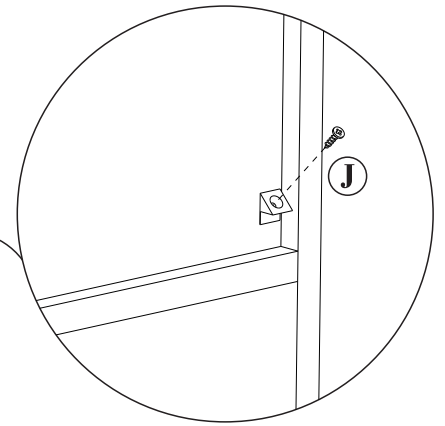
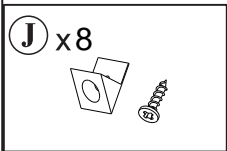
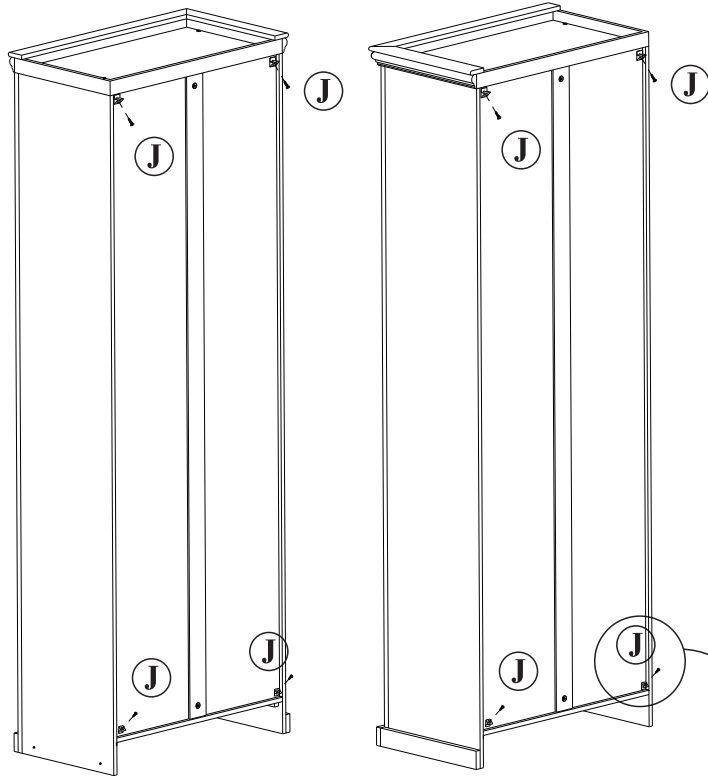
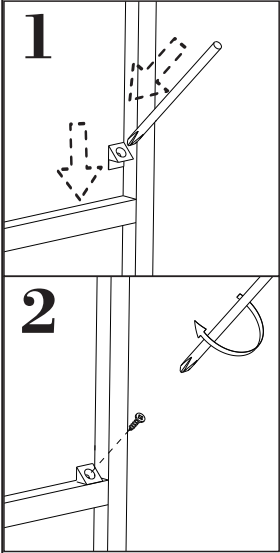


Step 14

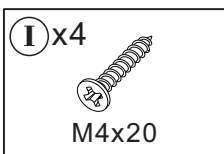
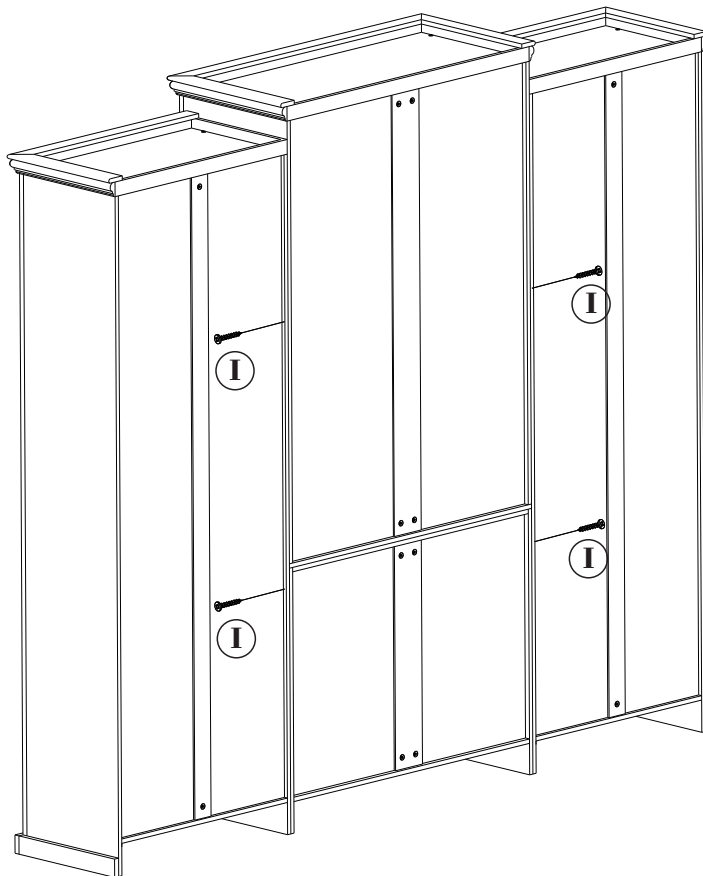


Assembly Instructions

Step 15



Optional Item



Assembly Instructions

Step 16

