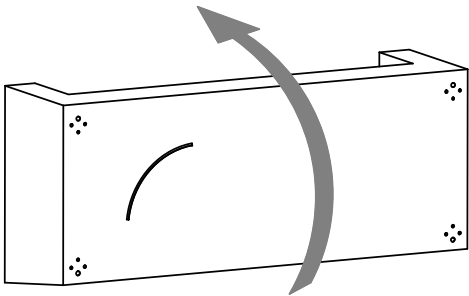


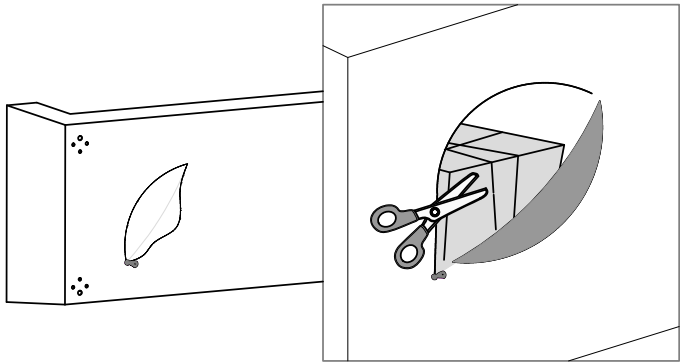
# Leg Assembly Instructions

## STEP 1



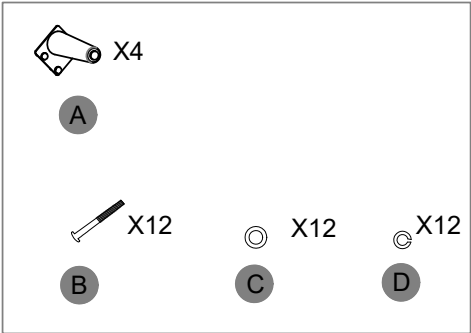
## STEP 2

Unzip the storage compartment, cut the strap and remove the package

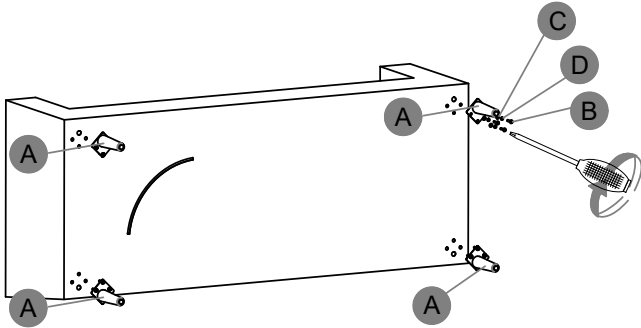


## STEP 3

Unpack the parts package.



## STEP 4



## STEP 5

