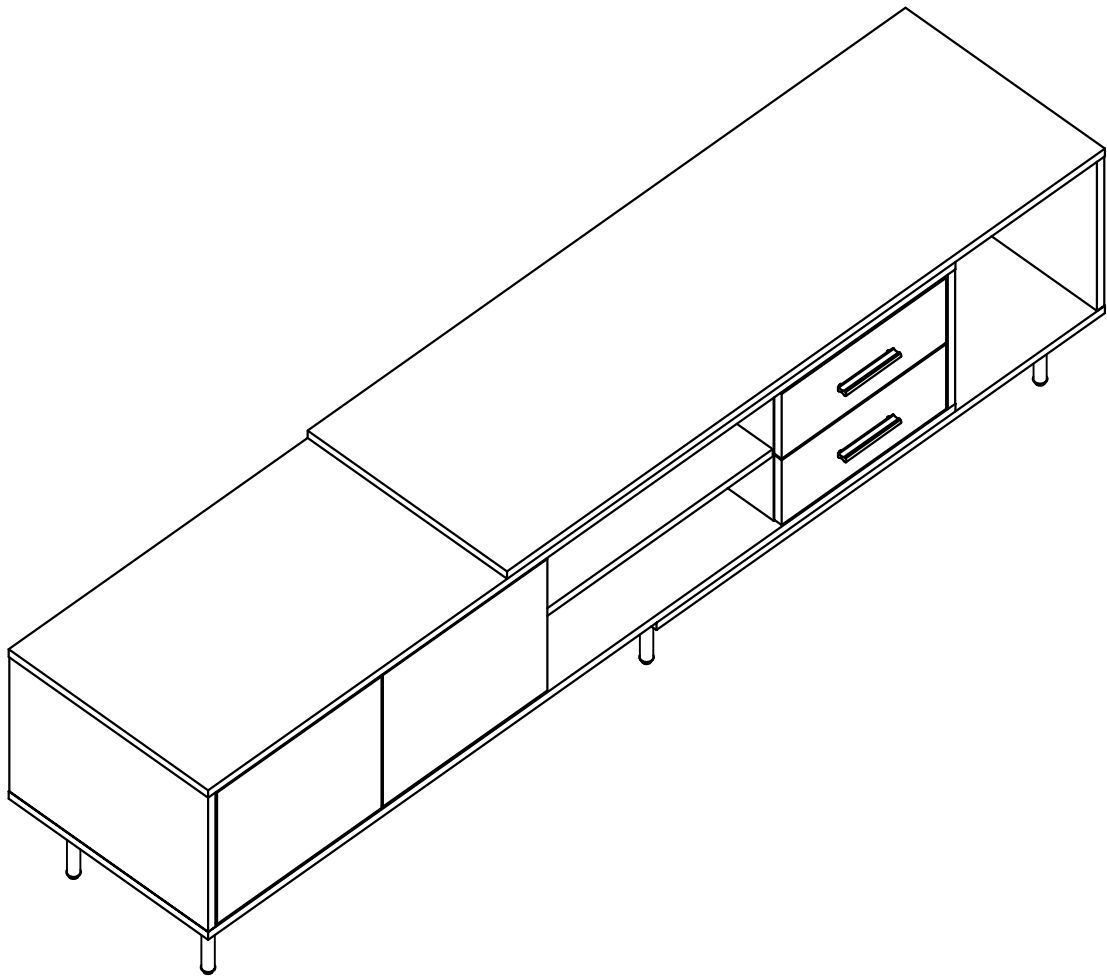


# TV STAND

Assembly Instructions - Please keep for future reference



Important - Please read these instructions fully before starting assembly



# Safety and Care Advice

**Important – Please read these instructions fully before starting assembly**

- Check you have all the components and tools listed on the following pages.
- Remove all fittings from the plastic bags and separate them into their groups.
- Keep children and animals away from the work area, small parts could choke if swallowed.
- Make sure you have enough space to layout the parts before starting.

- During assembly do not stand or put weight on the product, this could cause damage.
- Assemble the item as close to its final position (in the same room) as possible.
- Assemble on a soft level surface to avoid damaging the unit or your floor.
- Parts of the assembly will be easier with 2 people.



- To reduce the likelihood of damaging your product please ensure that your power drill is set on a low torque setting.

## Care and maintenance

- Only clean using a damp cloth and mild detergent, do not use bleach or abrasive cleaners.
- From time to time check that there are no loose screws on this unit.
- This product should not be discarded with household waste. Take to your local authority waste disposal centre.

## Handy Hints

- Assemble all parts and bolts loosely during assembly, only once the product is complete should you fully tighten the bolts
- Regularly check and ensure That all bolts and fittings are tightend properly.

## **WARNING** In order to help prevent overturning – please follow these instructions

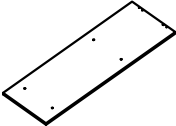
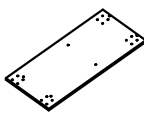
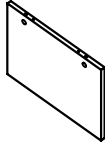
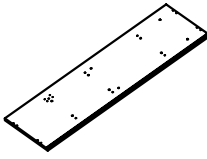
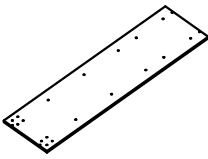
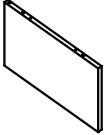
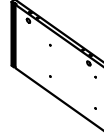
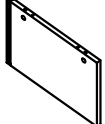
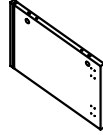
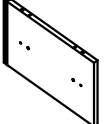
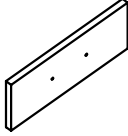
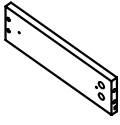
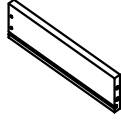
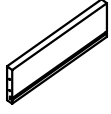
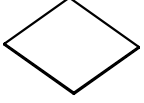
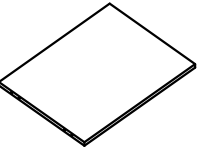
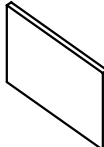
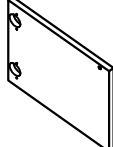
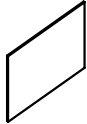
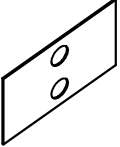
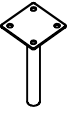
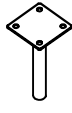
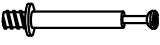









To help prevent product toppling over please follow the below steps:-

- Use the anti tip stap or wall fixing method provided (if applicable)
- Do not allow children to climb or hang on the furniture
- Do not open more than one drawer at a time
- Do not place heavy items in the top drawers
- Do not place heavy items on top of the furniture, unless the furniture has been designed for this purpose

# Components - Fittings

Please check you have all the panels listed below



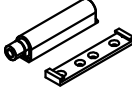
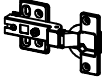






Note: The quantities below are the correct amount to complete the assembly. In some cases more fittings may be supplied than are required.

				
① x 1PC	② x 1PC	③ x 1PC	④ x 1PC	⑤ x 1PC
				
⑥ x 1PC	⑦ x 1PC	⑧ x 1PC	⑨ x 1PC	⑩ x 1PC
				
⑪ x 2PCS	⑫ x 2PCS	⑬ x 2PCS	⑭ x 2PCS	⑮ x 2PCS
				
⑰ x 1PC	⑱ x 1PC	⑲ x 1PC	⑳ x 3PCS	㉑ x 1PC
				
㉑ x 2PCS	㉒ x 4PCS			
				
M6x35mm	Ø15x12mm	8x30mm	7x40mm	3.5x14mm
Ⓐ x 24PCS	Ⓑ x 24PCS	Ⓒ x 28PCS	Ⓓ x 12PCS	Ⓔ x 62PCS
				
4x35mm	M4mm	4x18mm		300mm
Ⓕ x 8PCS	Ⓖ x 1PC	Ⓗ x 4PCS	Ⓘ x 2PCS	Ⓙ x 4PCS

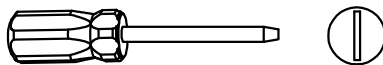
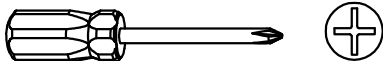
# Components - Fittings

Please check you have all the panels listed below

Note: The quantities below are the correct amount to complete the assembly. In some cases more fittings may be supplied than are required.

 300mm				
Ⓚ x 4PCS	Ⓛ x 16PCS	Ⓜ x 2PCS	Ⓝ x 2PCS	Ⓞ x 2PCS
 M6x12mm			 M6x25mm	
Ⓟ x 24PCS	Ⓠ x 20PCS	Ⓡ x 2PCS	Ⓢ x 8PCS	Ⓣ x 6PCS

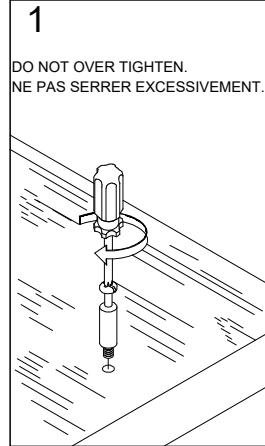
## Tools required



# Using Camlocks

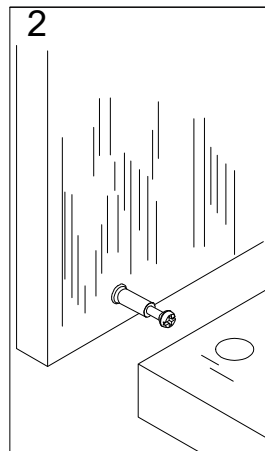
## Step 1

Connect the male camlock as directed in the assembly instructions using a screwdriver.



## Step 2

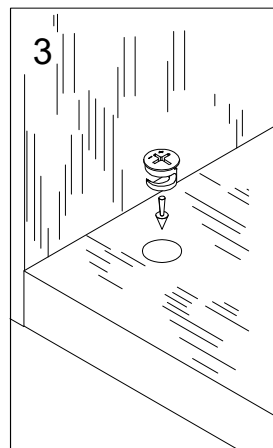
Push the male camlock into the entry hole.



## Step 3

Insert the female camlock as shown in the instruction.

Note ensure that the arrow on the top of the camlock points towards the entry hole for the male camlock.

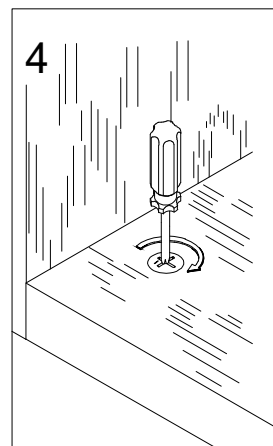


## Step 4

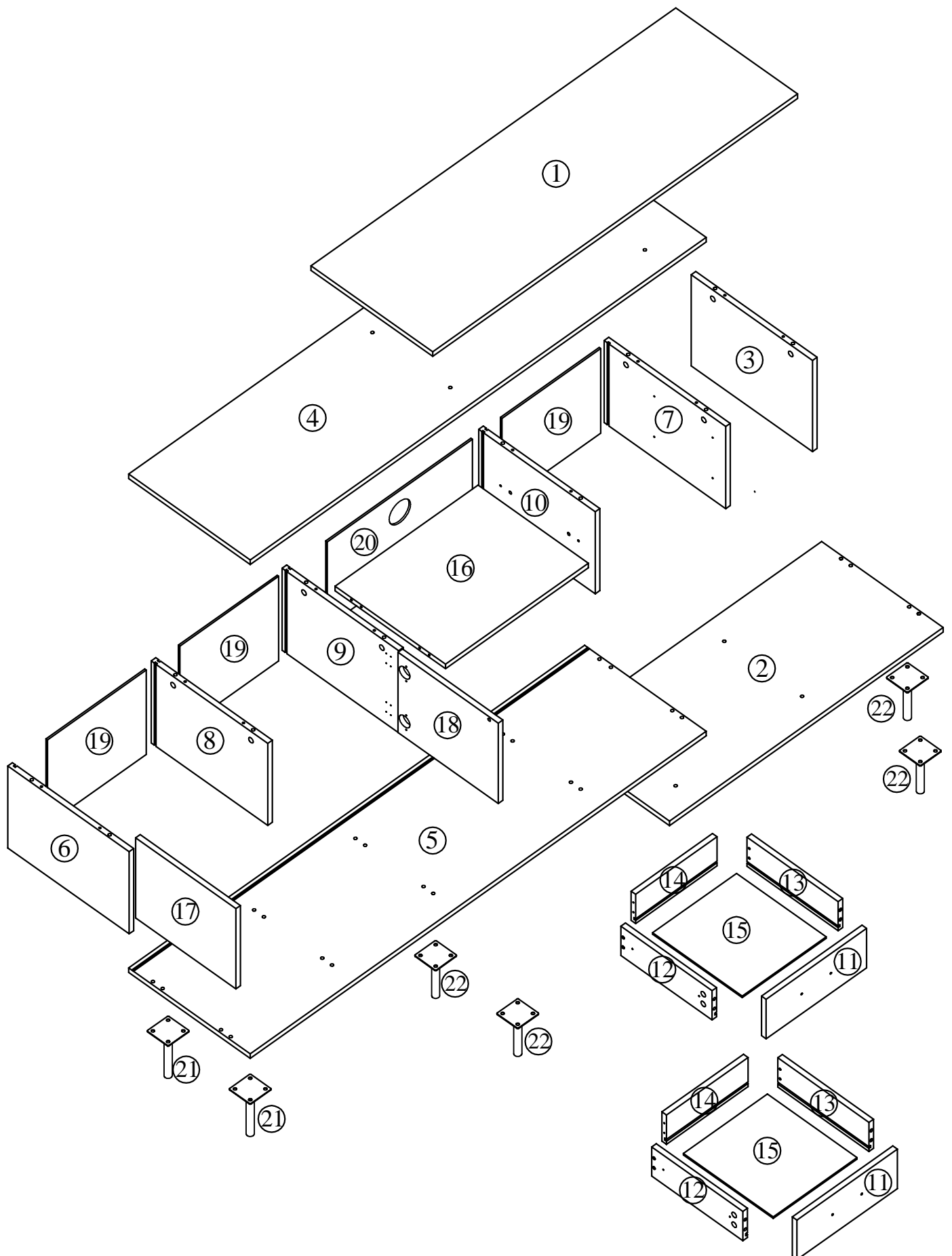
Turn the female camlock clockwise with a screwdriver.

You should feel a click when the camlock is locked in place.

The joint is now secure.

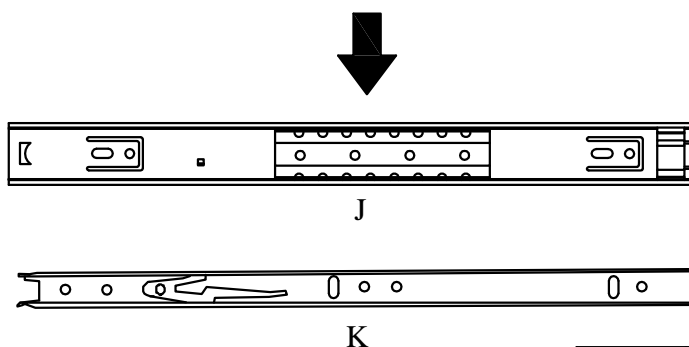
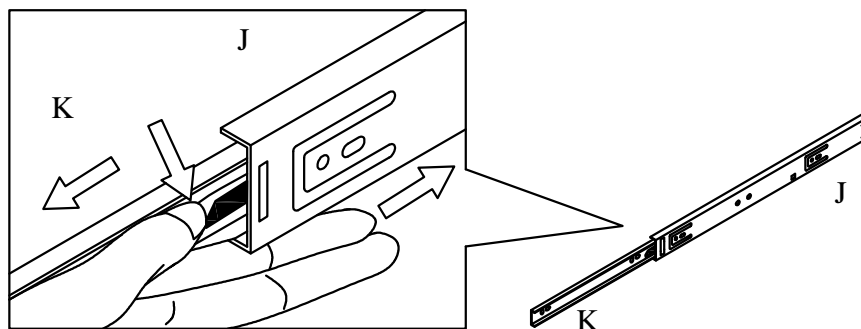



# Assembly Instructions




# Assembly Instructions

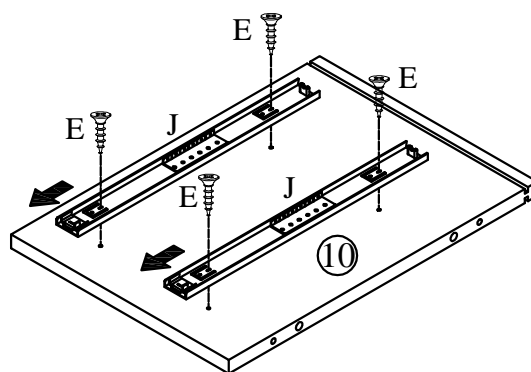
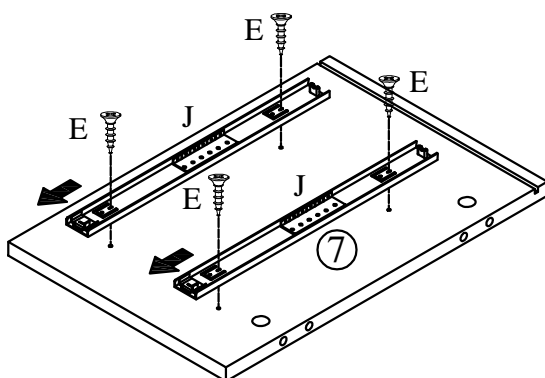
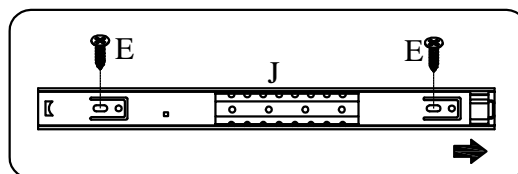
## Step 1





J	x4
	
300mm	

K	x4
	
300mm	

## Step 2

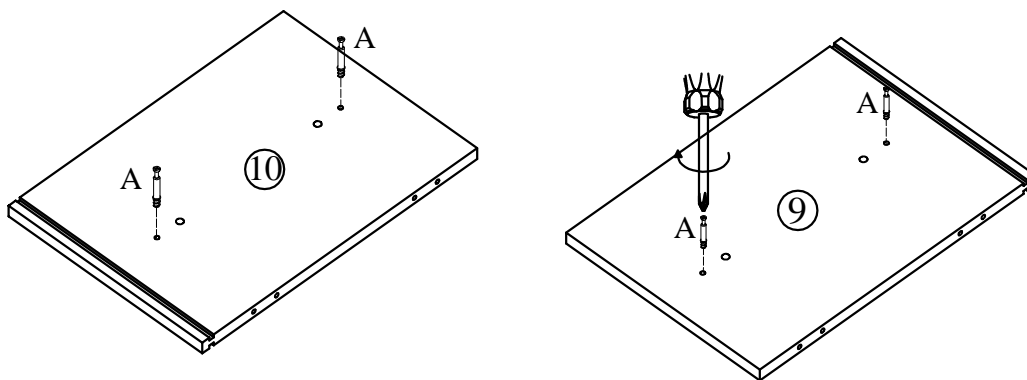


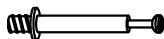
E	x8
	
3.5x14mm	

J	x4
	
300mm	

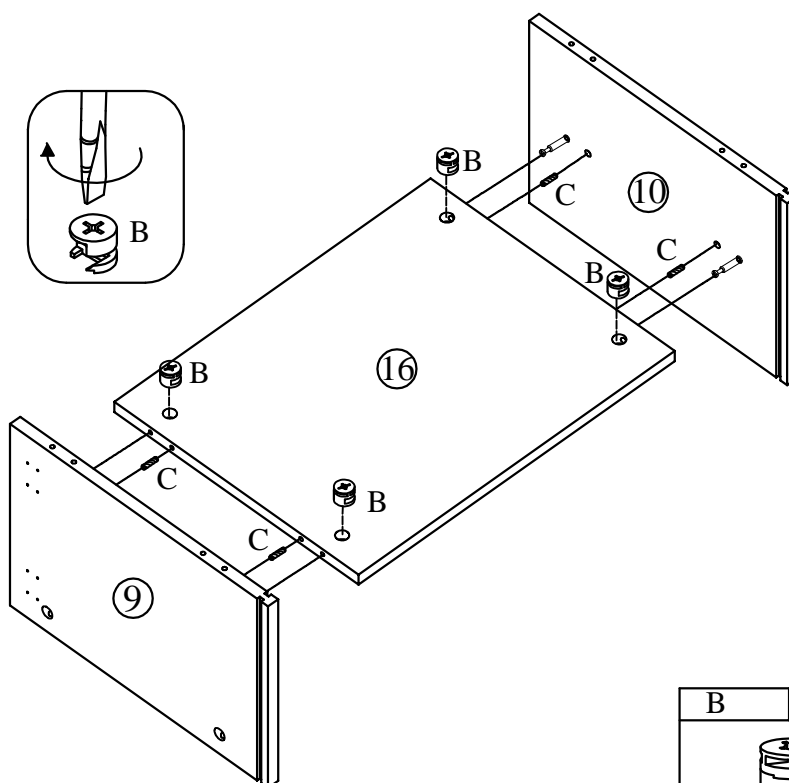
# Assembly Instructions


## Step 3




A	x4
	
M6x35mm	

## Step 4

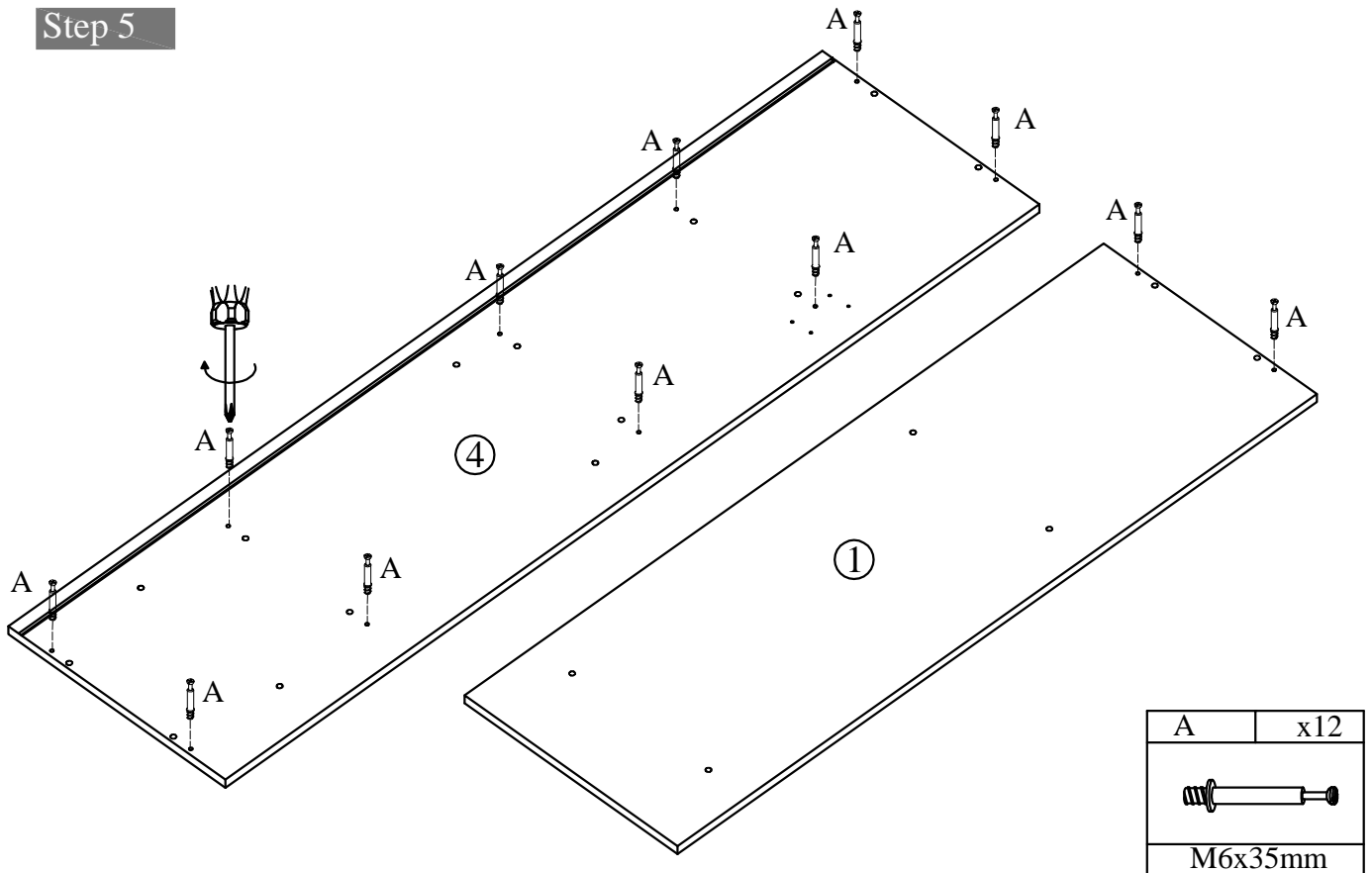


B	x4
	
Ø15x12mm	

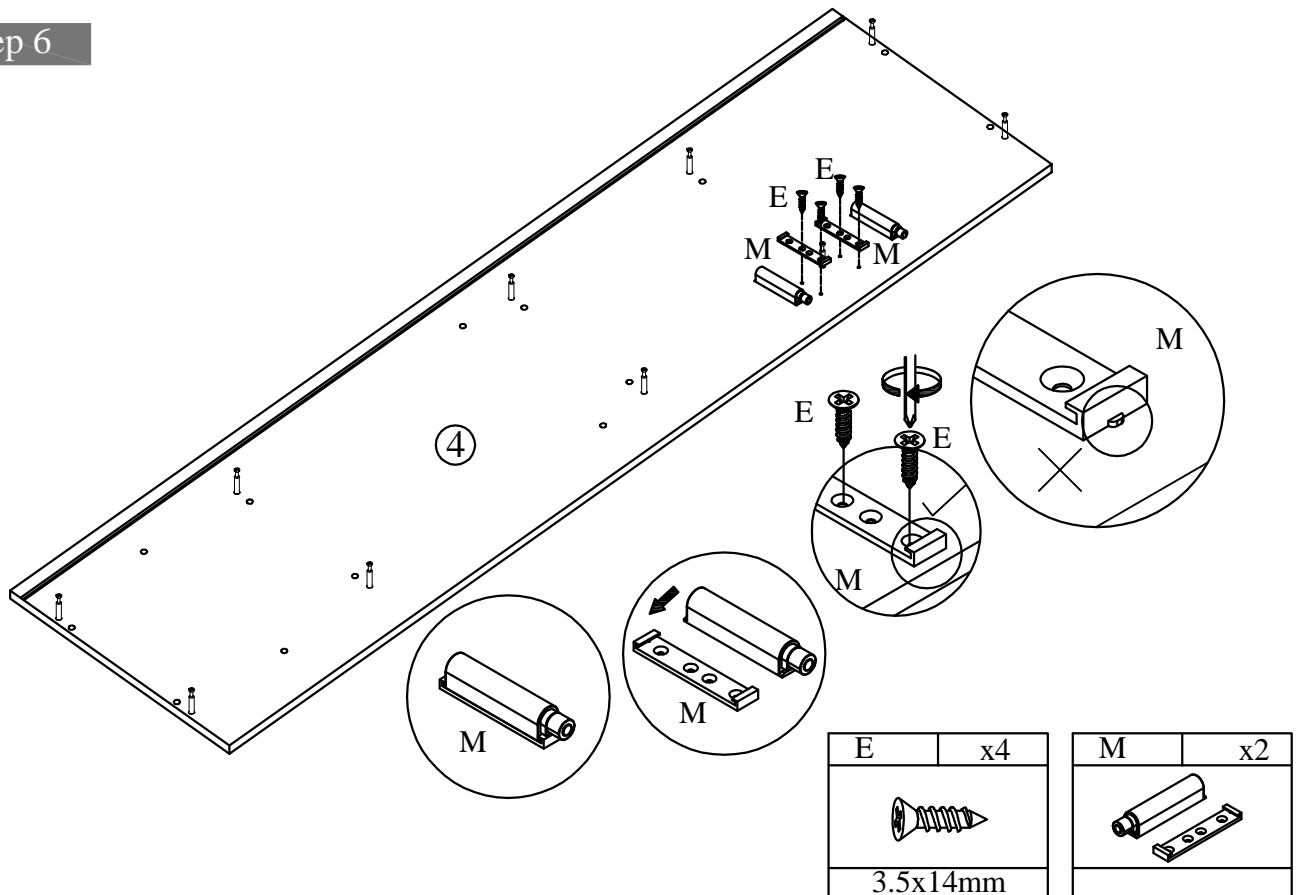
C	x4
	
8x30mm	

# Assembly Instructions

## Step 5

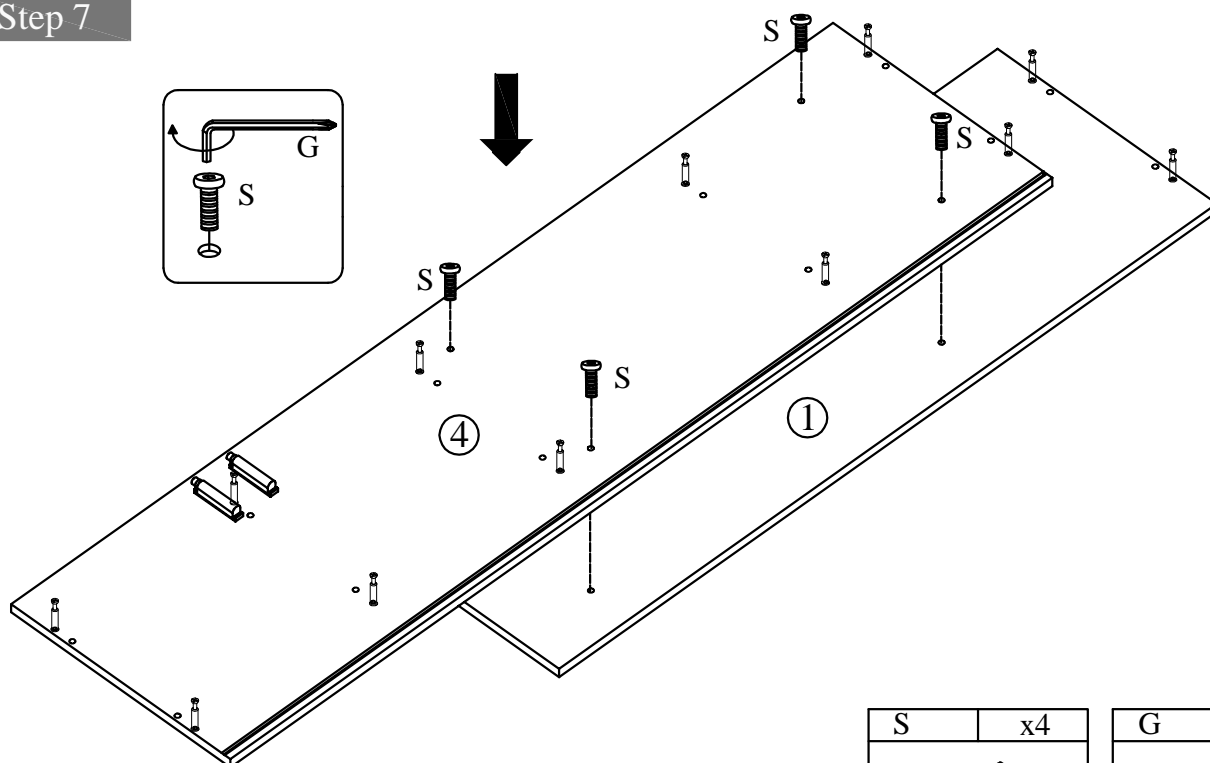



## Step 6

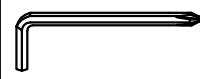


# Assembly Instructions

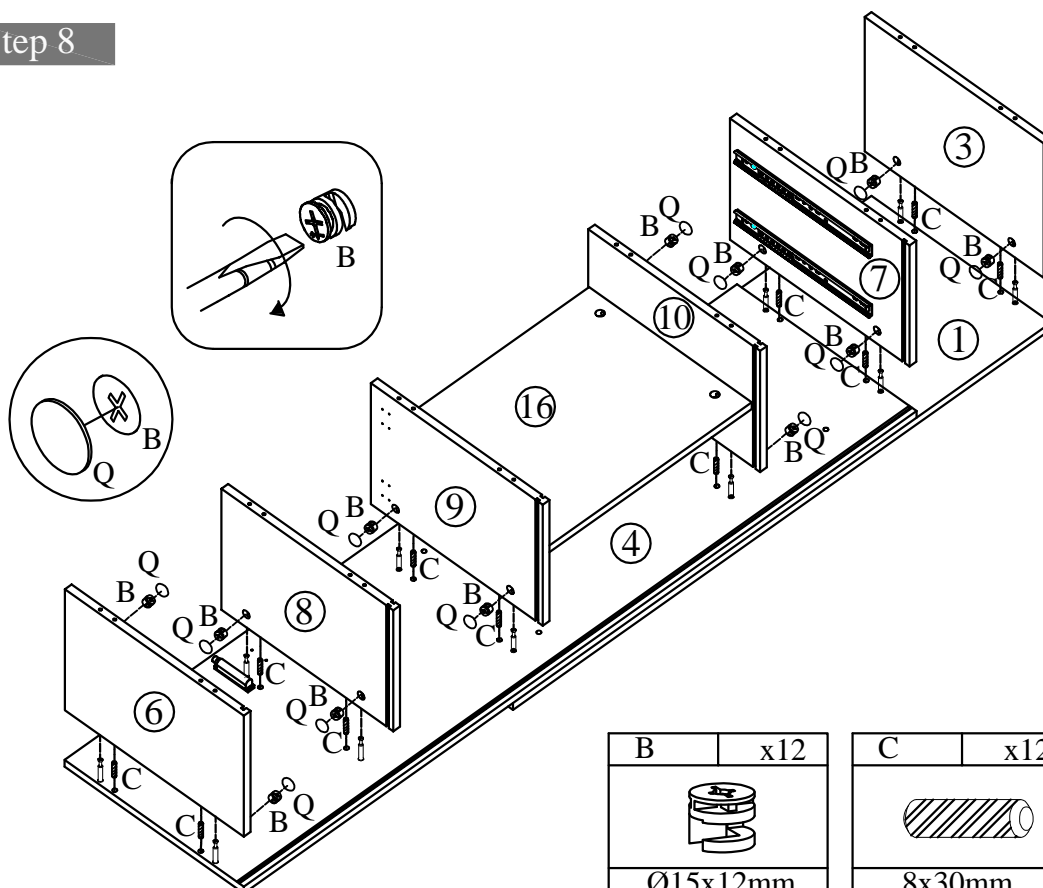
## Step 7




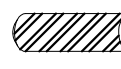
S	x4
	
M6x25mm	


G	x1
	
M4mm	

## Step 8



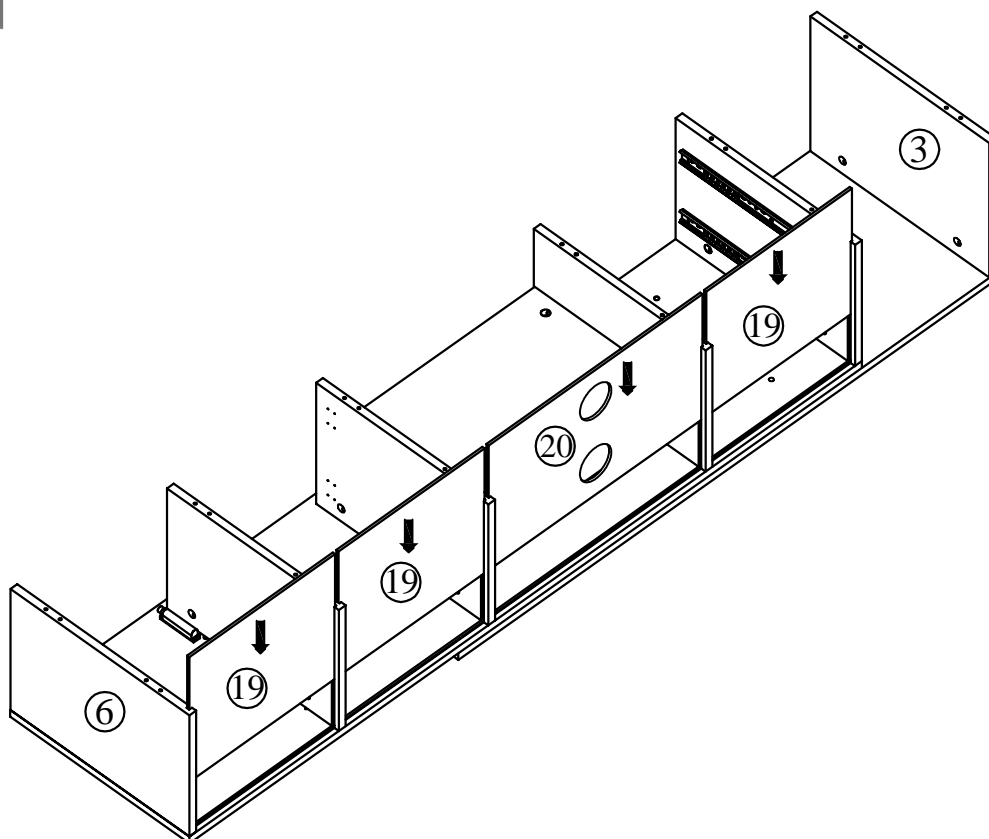
B	x12
	
Ø15x12mm	

C	x12
	
8x30mm	

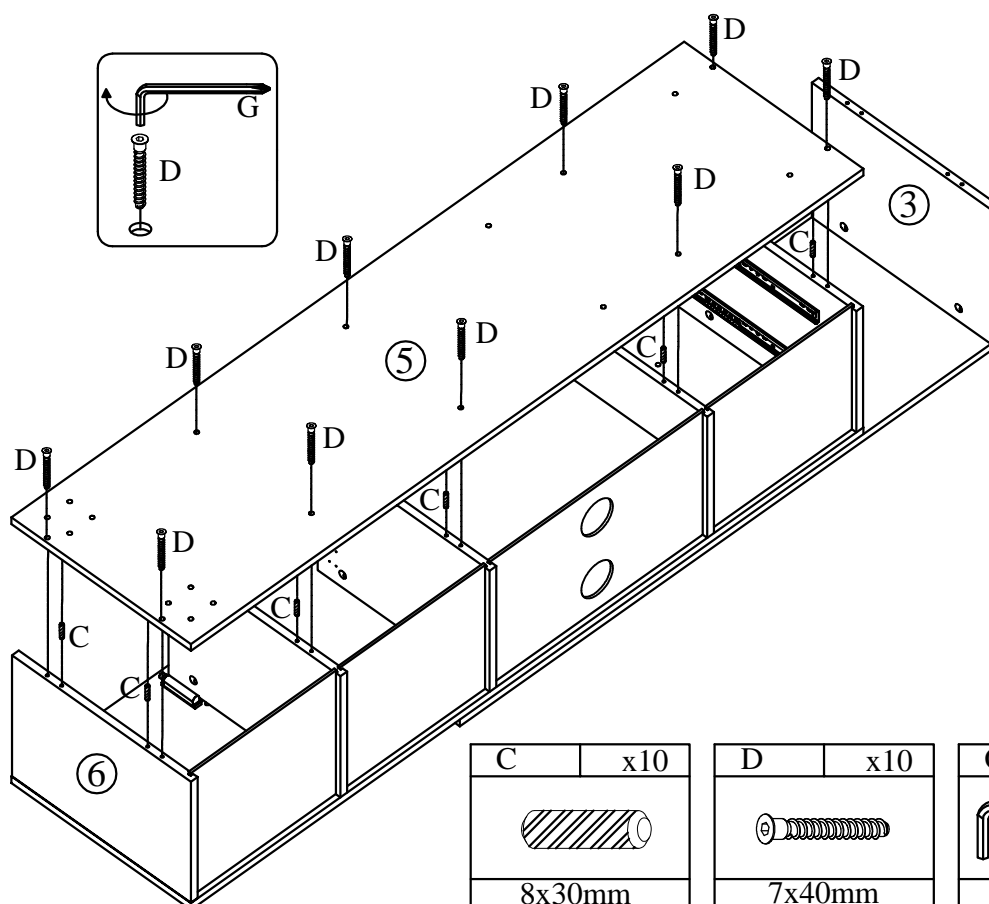
Q	x12
	

# Assembly Instructions

## Step 9

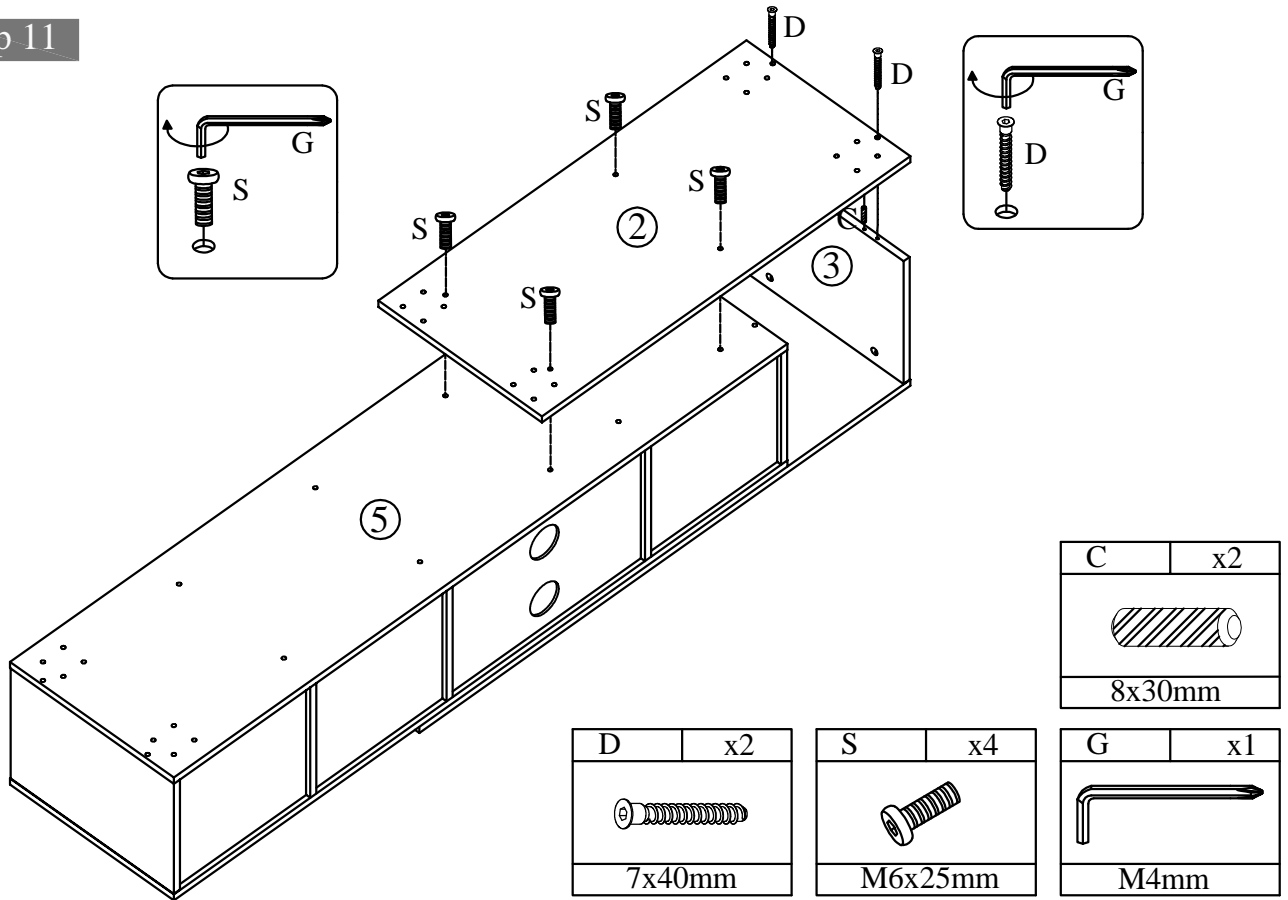


## Step 10

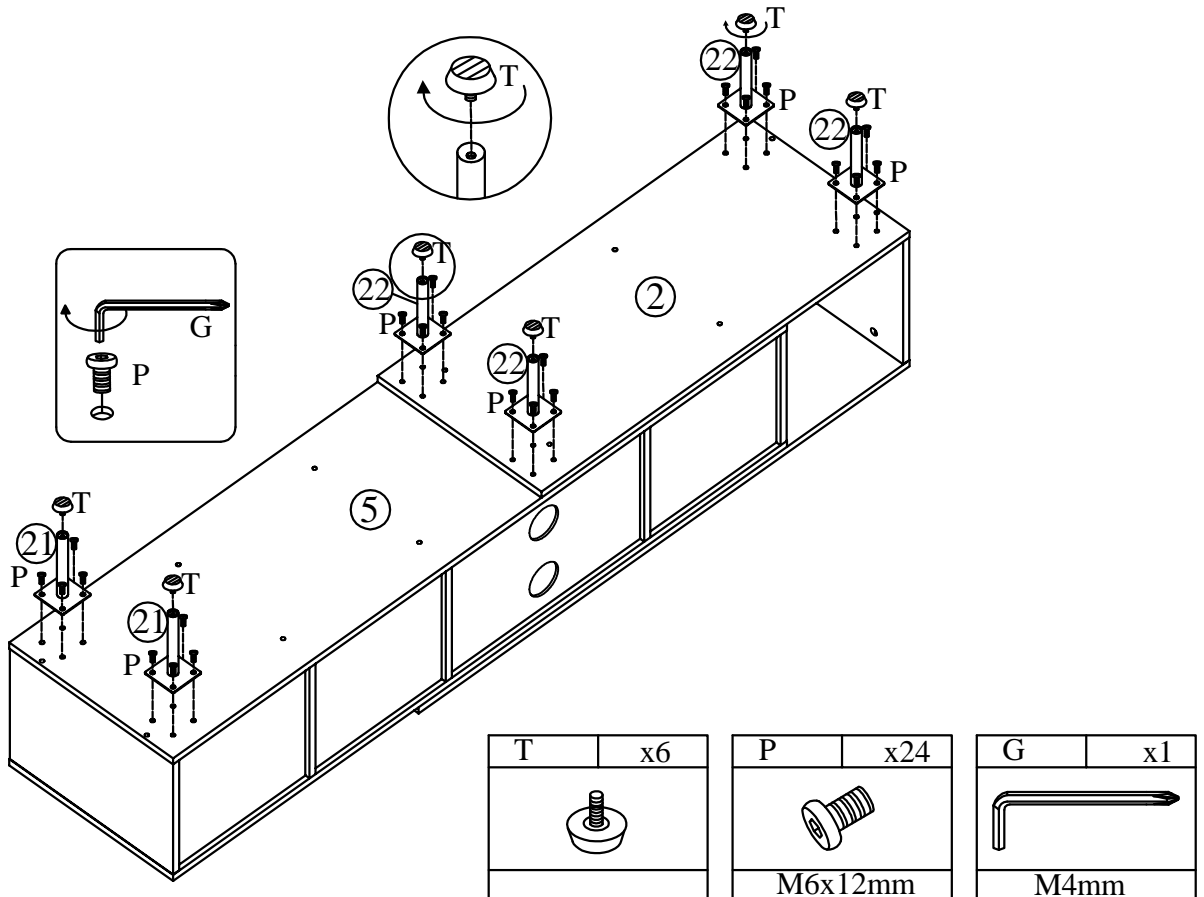


# Assembly Instructions

## Step 11

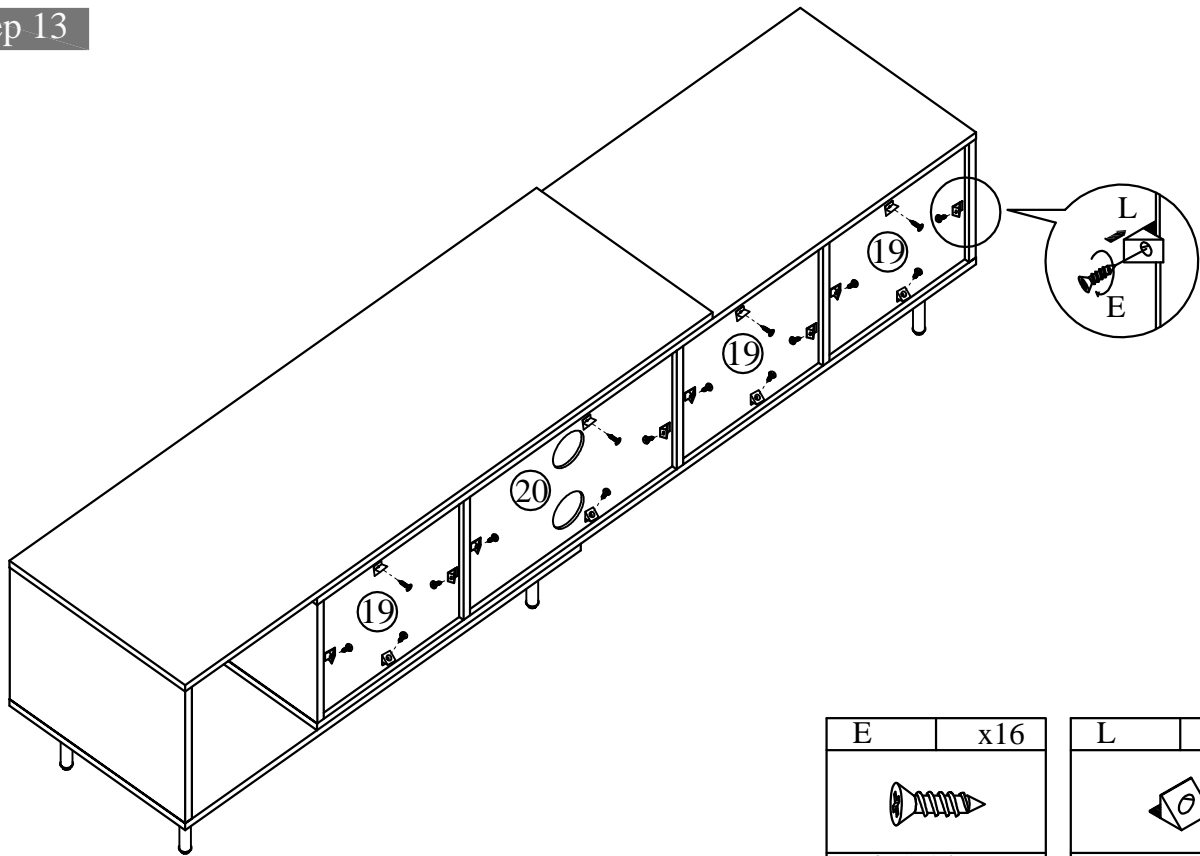



## Step 12




# Assembly Instructions

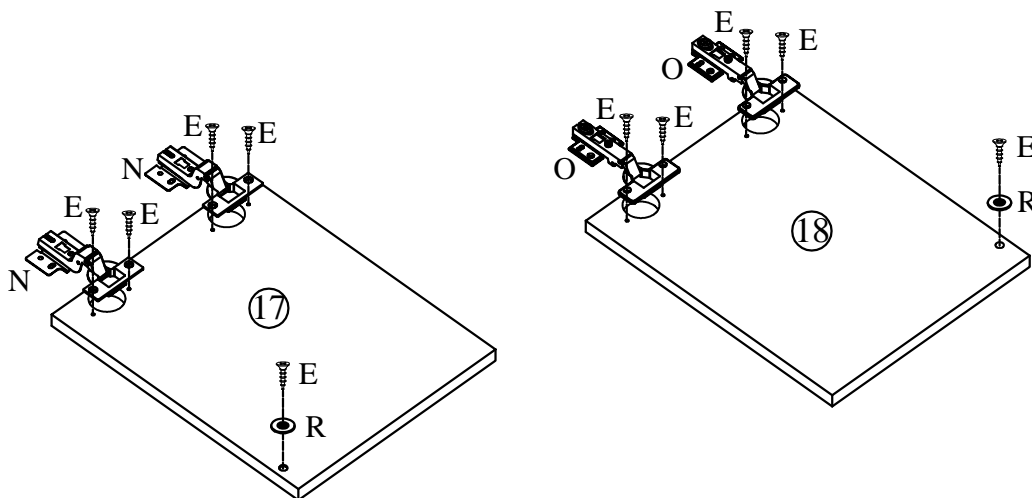
## Step 13




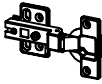
E	x16
	
3.5x14mm	


L	x16
	


## Step 14



E	x10
	
3.5x14mm	

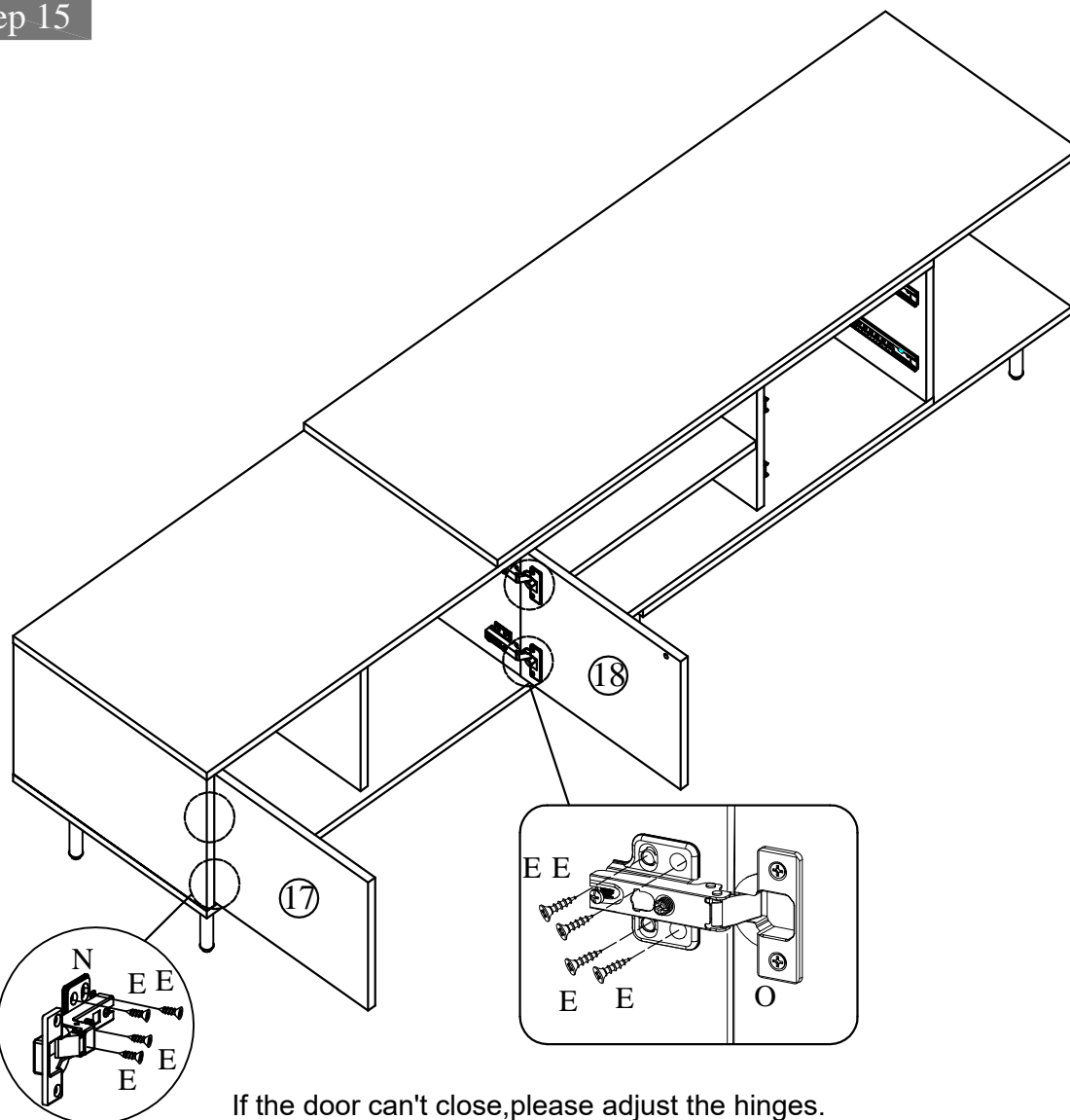
N	x2
	

O	x2
	

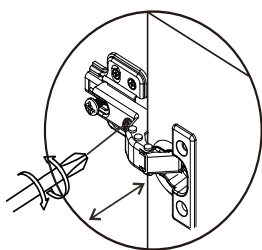
R	x2
	

# Assembly Instructions

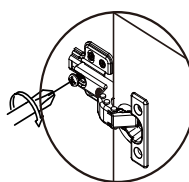
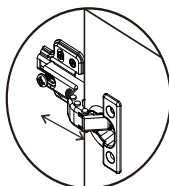
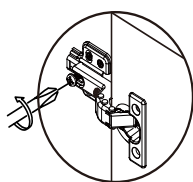
Step 15




If the door can't close, please adjust the hinges.



This is used to adjust the door panel in the up and down direction.



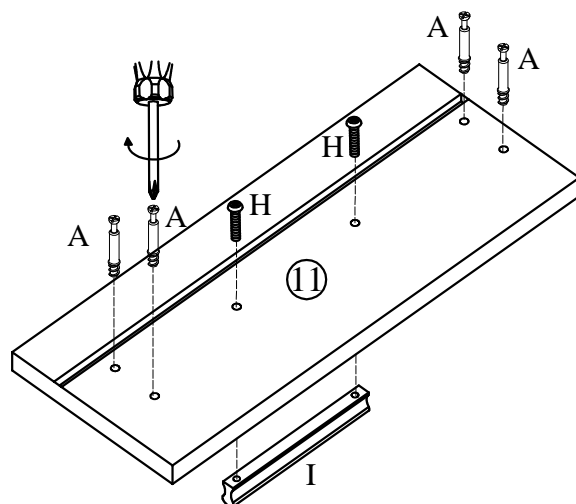
This is used to adjust the door panel in the front and back direction: Loosen the screw first, and then tighten screw after adjusting the door panel to the proper position.

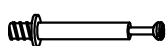
E	x16
	
3.5x14mm	


# Assembly Instructions


Step 16

x2



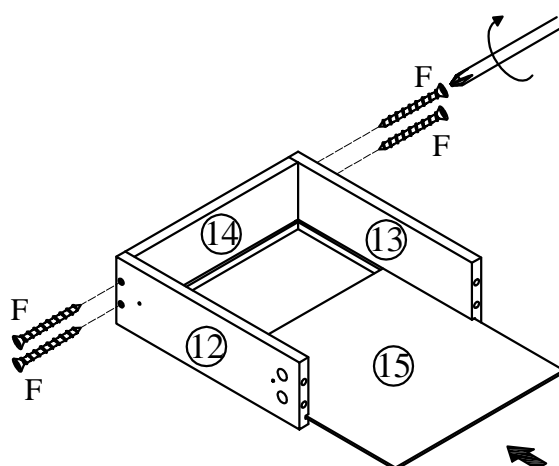
A	x8
	
M6x35mm	

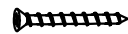
H	x4
	
4x18mm	

I	x2
	

Step 17

x2

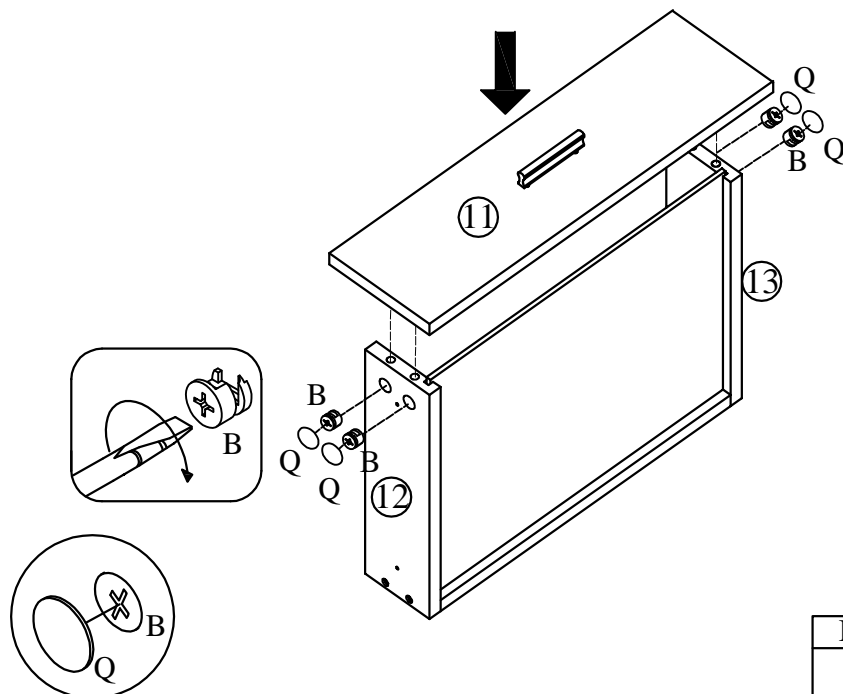



F	x8
	
4x35mm	


# Assembly Instructions

Step 18

x2

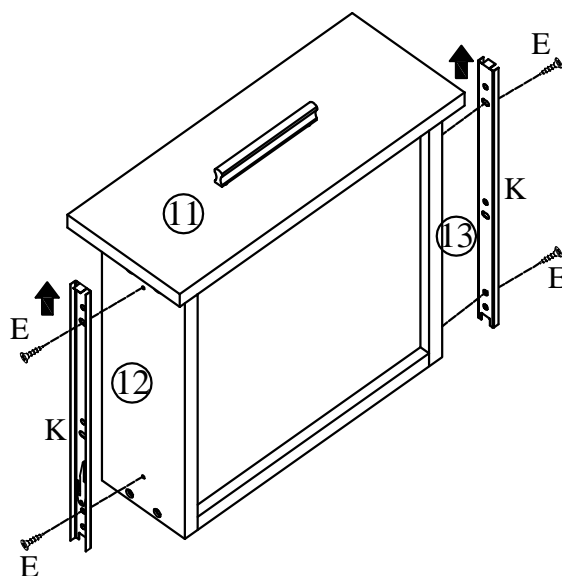
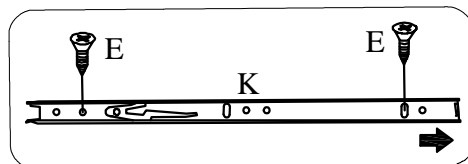



B	x8
	
Ø15x12mm	


Q	x8
	

Step 19

x2

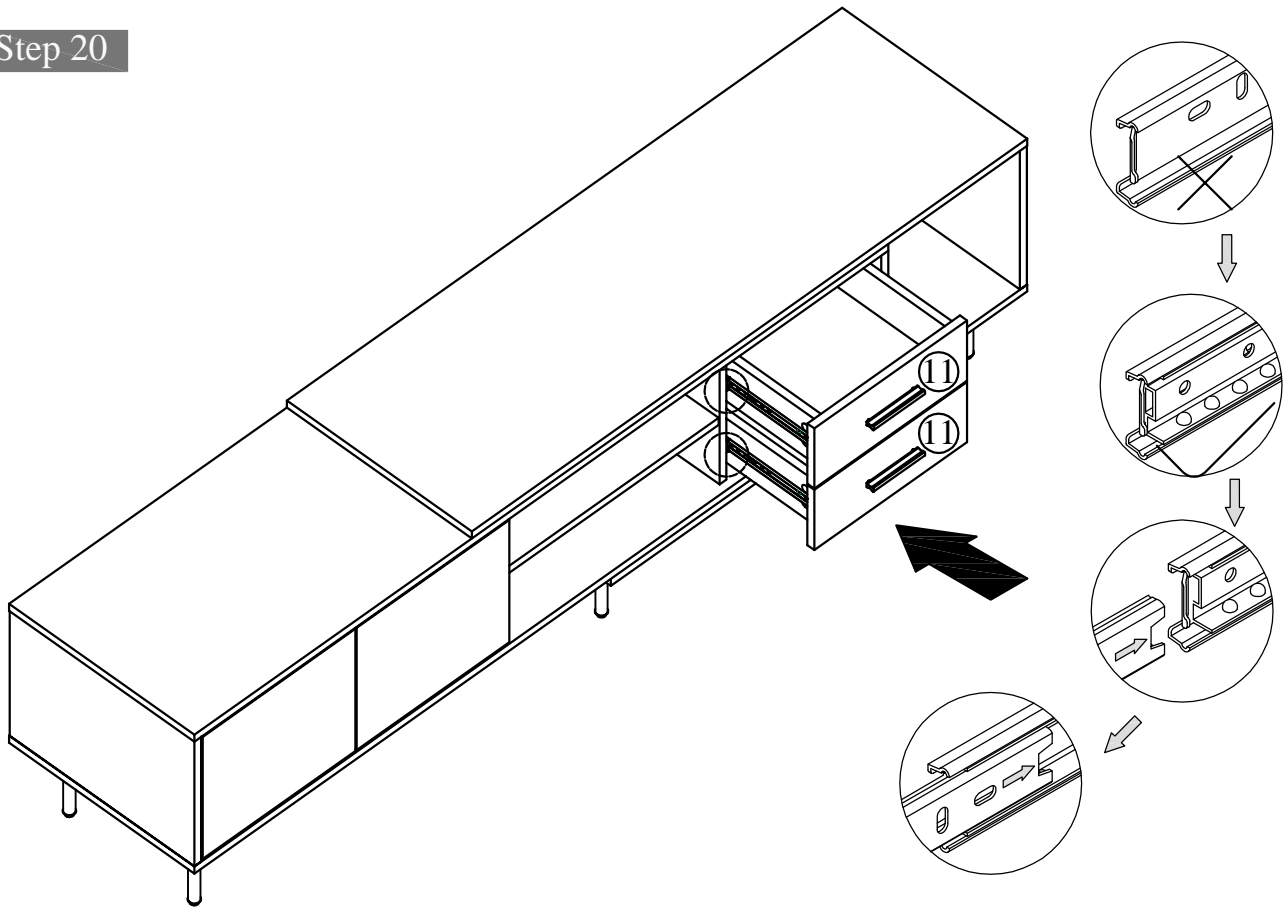


E	x8
	
3.5x14mm	

K	x4
	
300mm	

# Assembly Instructions

Step 20



Step 21

