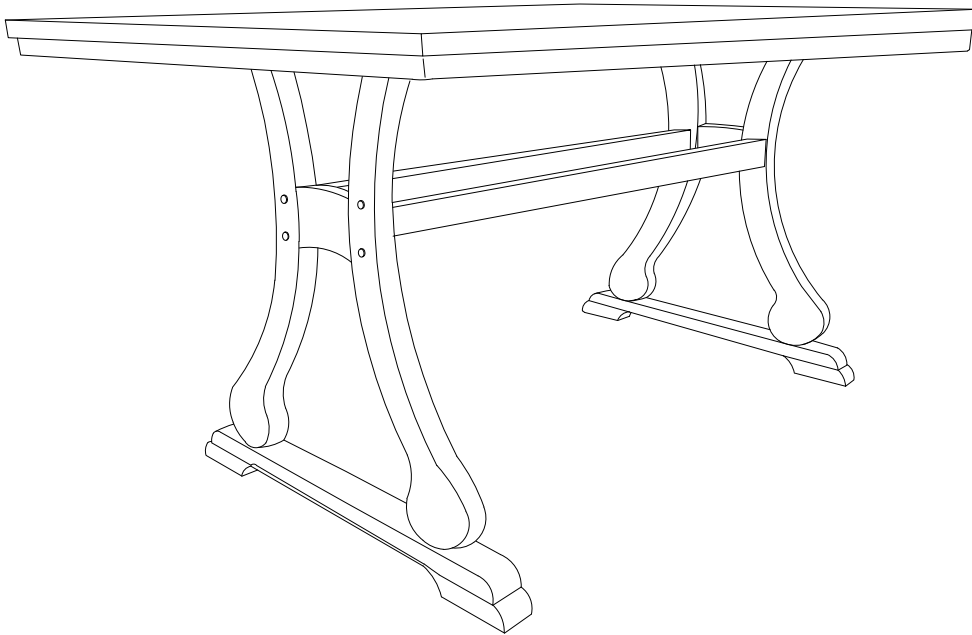


# ASSEMBLY INSTRUCTIONS

## DINING TABLE



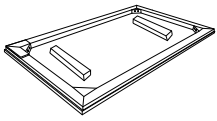
**WF 530885**

### **IMPORTANT NOTE:**

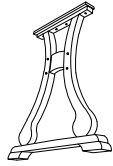
- PLACE ALL PARTS ON A CLEAN AND SMOOTH SURFACE SUCH AS A RUG OR CARPET TO AVOID THE PARTS FROM BEING SCRATCHED.
- BEFORE YOU BEGIN, KINDLY FOLLOW THE ASSEMBLY INSTRUCTIONS STEP BY STEP.
- DO NOT TIGHTEN ALL SCREWS AND BOLTS UNTIL THE TABLE IS FULLY SET-UP.

# CARTON CONTENT:

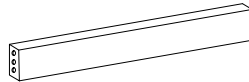
WF530885:



1 x 1



2 x 2



3 x 2

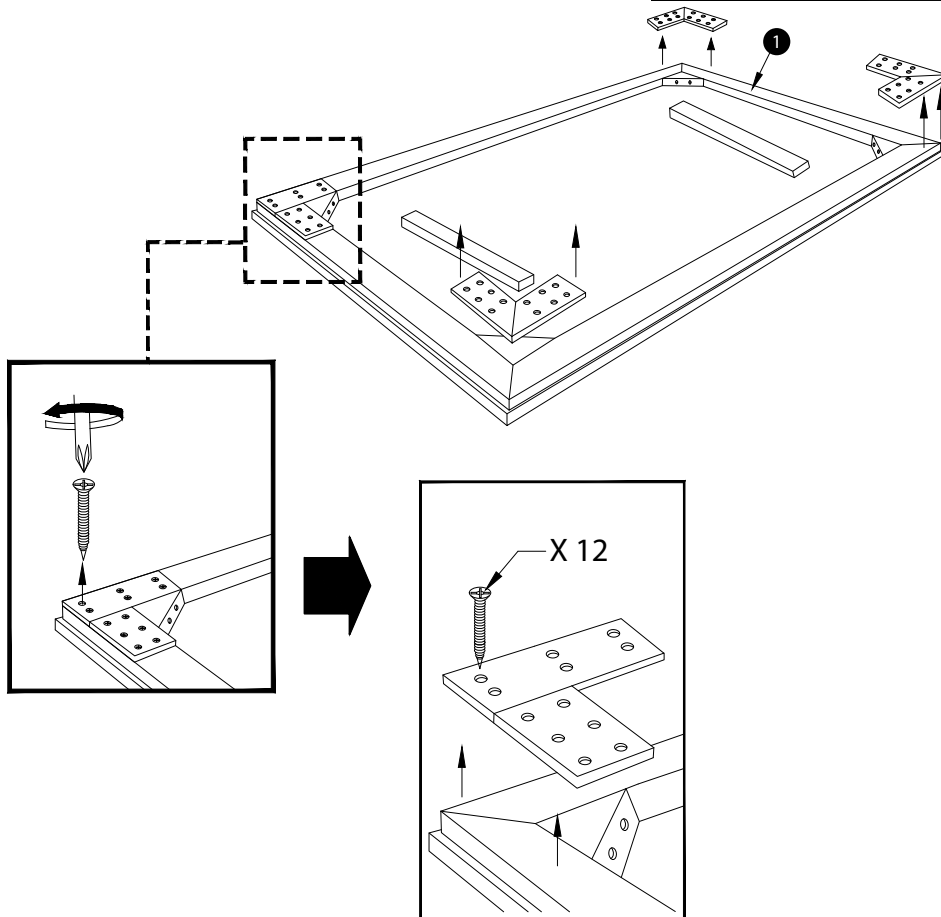
## TABLE PART LISTS

## TABLE HARDWARE LISTS

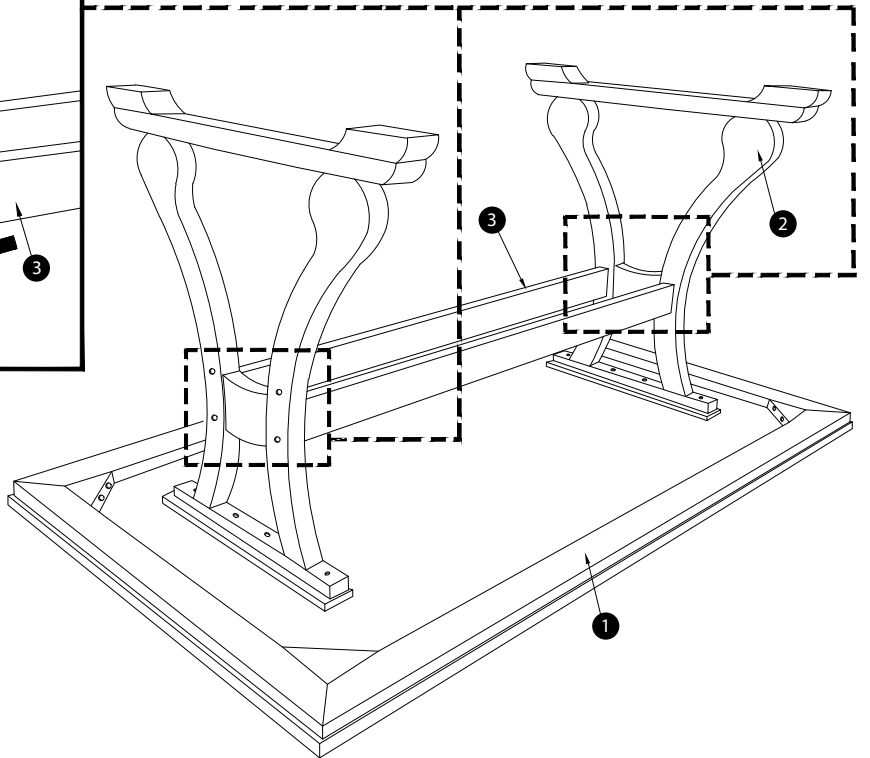
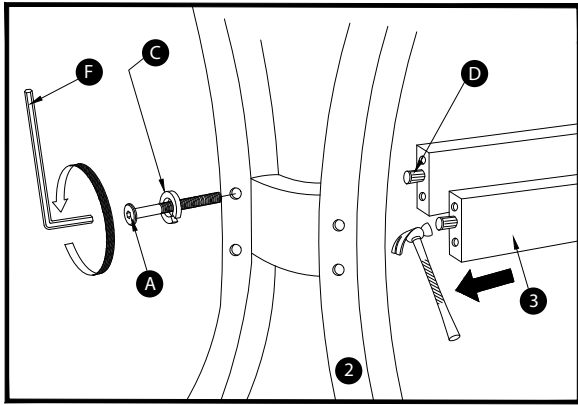
NO.	DESCRIPTION	SKETCH	QTY
1	TABLE TOP		1 PC
2	TABLE LEG		2 PCS
3	RAIL		2 PCS

NO.	DESCRIPTION	SKETCH	QTY
A	JCBC BOLT M6 X 60 mm		8 PCS
B	CSK SCREW M4 X 38 mm		8 PCS
C	SPRING WASHER M6		8 PCS
D	DOWEL M8 X 35 mm		4 PCS
E	WOOD BUTTON M14.5		8 PCS
F	ALLEN KEY M4		1 PC
SCREW DRIVER			NOT INCLUDED
HAMMER			NOT INCLUDED

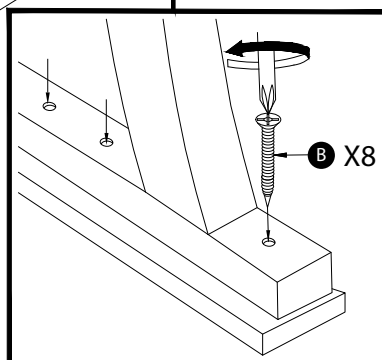
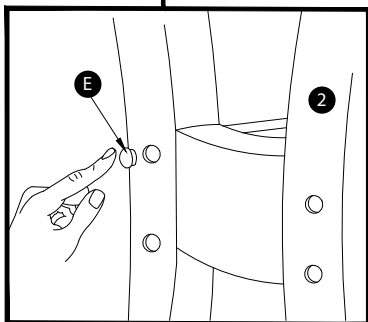
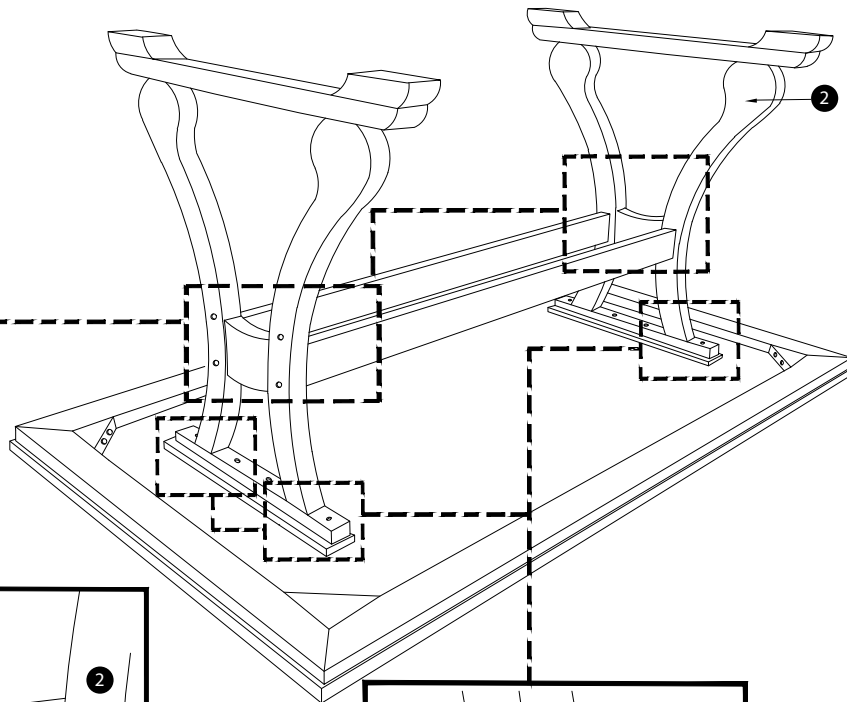
STEP 1



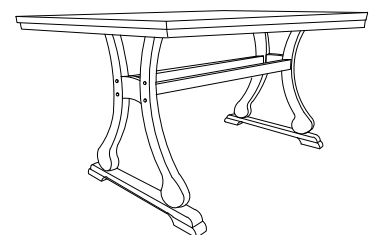
STEP 2



STEP 3

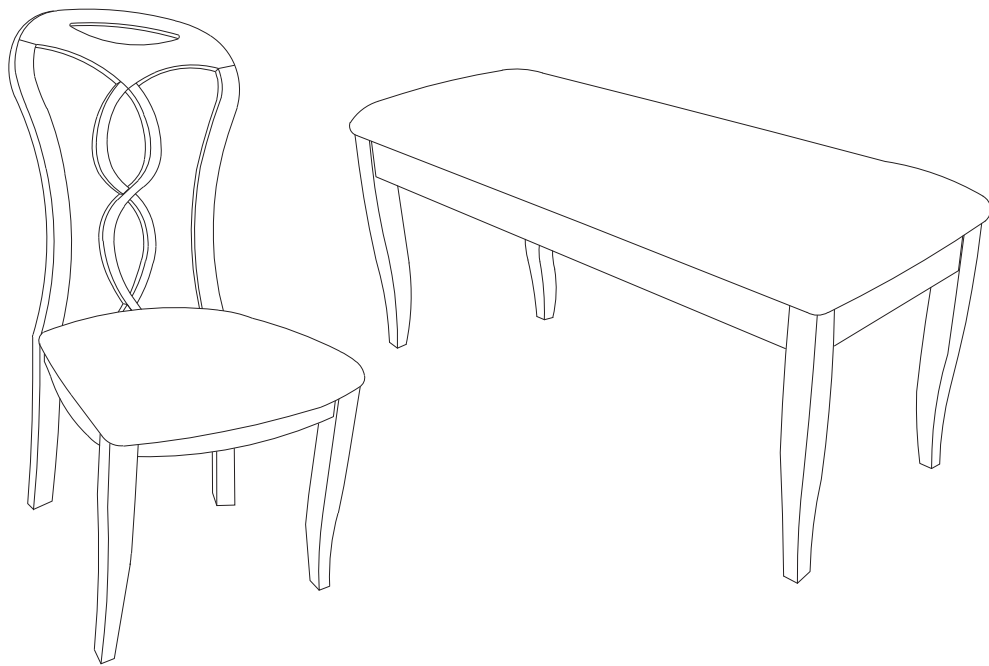


ASSEMBLY COMPLETE !



# ASSEMBLY INSTRUCTIONS

## DINING CHAIR AND BENCH



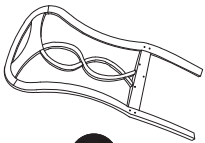
**WF530888**

### **IMPORTANT NOTE:**

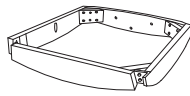
- PLACE ALL PARTS ON A CLEAN AND SMOOTH SURFACE SUCH AS A RUG OR CARPET TO AVOID THE PARTS FROM BEING SCRATCHED.
- BEFORE YOU BEGIN, KINDLY FOLLOW THE ASSEMBLY INSTRUCTIONS STEP BY STEP.
- DO NOT TIGHTEN ALL SCREWS AND BOLTS UNTIL THE CHAIR AND BENCH ARE FULLY SET-UP.

## CARTON CONTENT:

WF530888 :



1 x 4



2 x 4



3 x 4



4 x 4



5 x 4

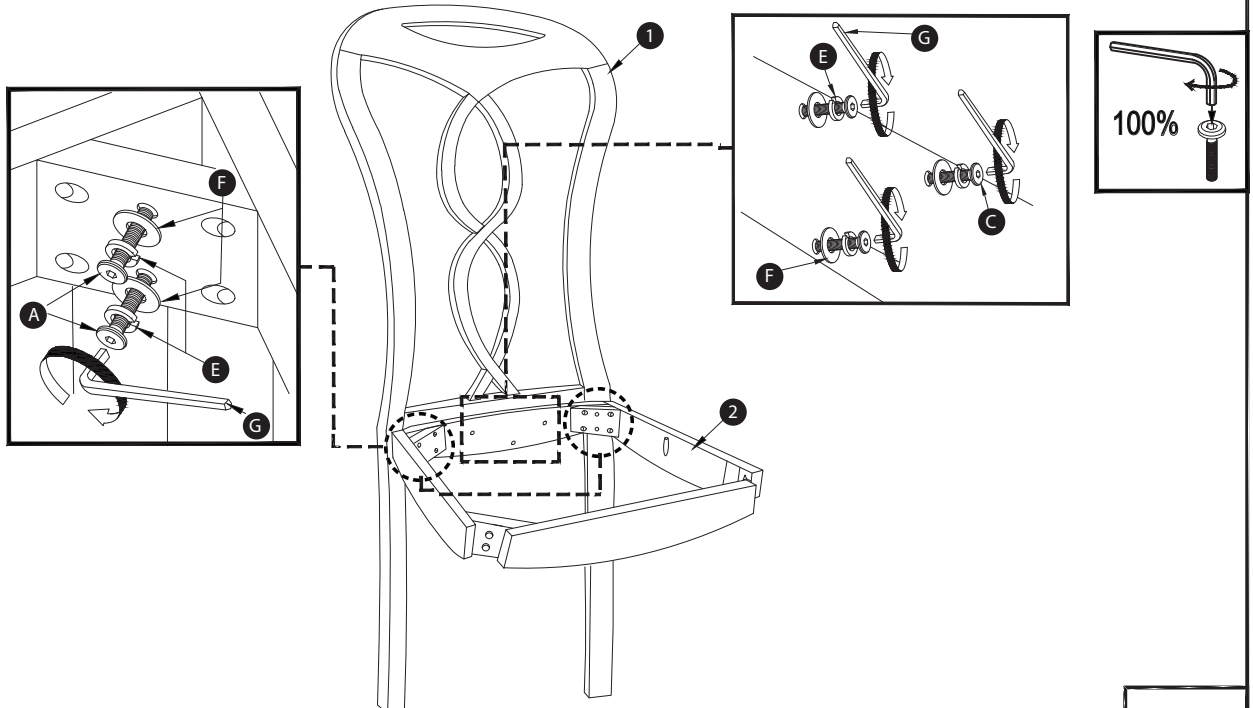
### CHAIR PART LISTS

NO.	DESCRIPTION	SKETCH	QTY
1	CHAIR BACK		4 PCS
2	BOX SEAT		4 PCS
3	FRONT LEG - R		4 PCS
4	FRONT LEG - L		4 PCS
5	SEAT		4 PCS

### CHAIR HARDWARE LISTS

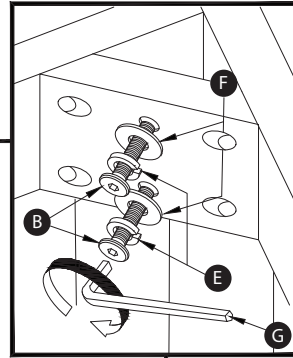
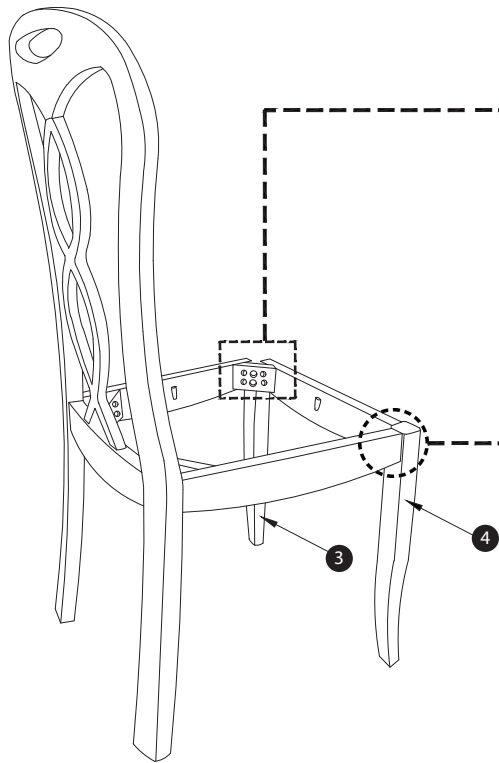
NO.	DESCRIPTION	SKETCH	QTY
A	JCBC BOLT M6 X 75 mm		16 PCS
B	JCBC BOLT M6 X 60 mm		16 PCS
C	JCBC BOLT M6 X 38 mm		12 PCS
D	CSK SCREW M4 X 32 mm		12 PCS
E	SPRING WASHER M6		44 PCS
F	FLAT WASHER M6		44 PCS
G	ALLEN KEY M4		1 PC
SCREW DRIVER			NOT INCLUDED

STEP 1

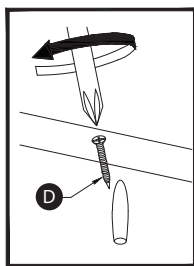


02-05

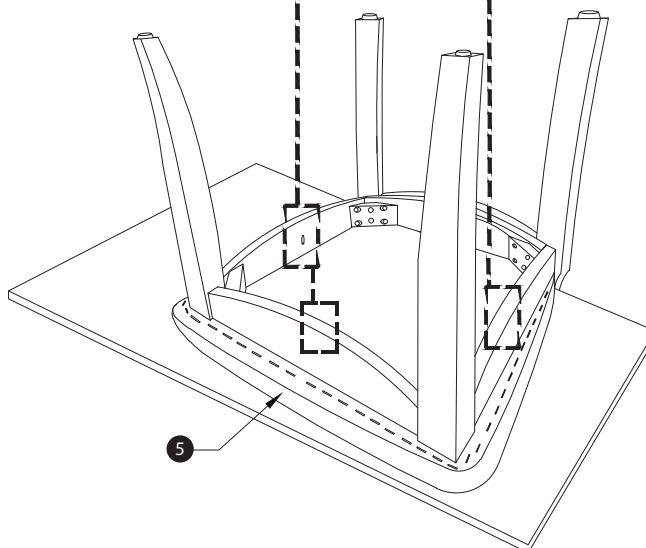
STEP 2



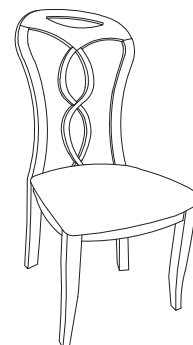
STEP 3



X 3

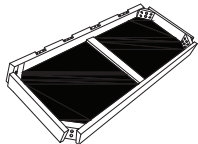


ASSEMBLY COMPLETE !

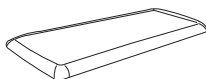


### CARTON CONTENT:

WF530888:



6 x 1



7 x 1



8 x 2



9 x 2

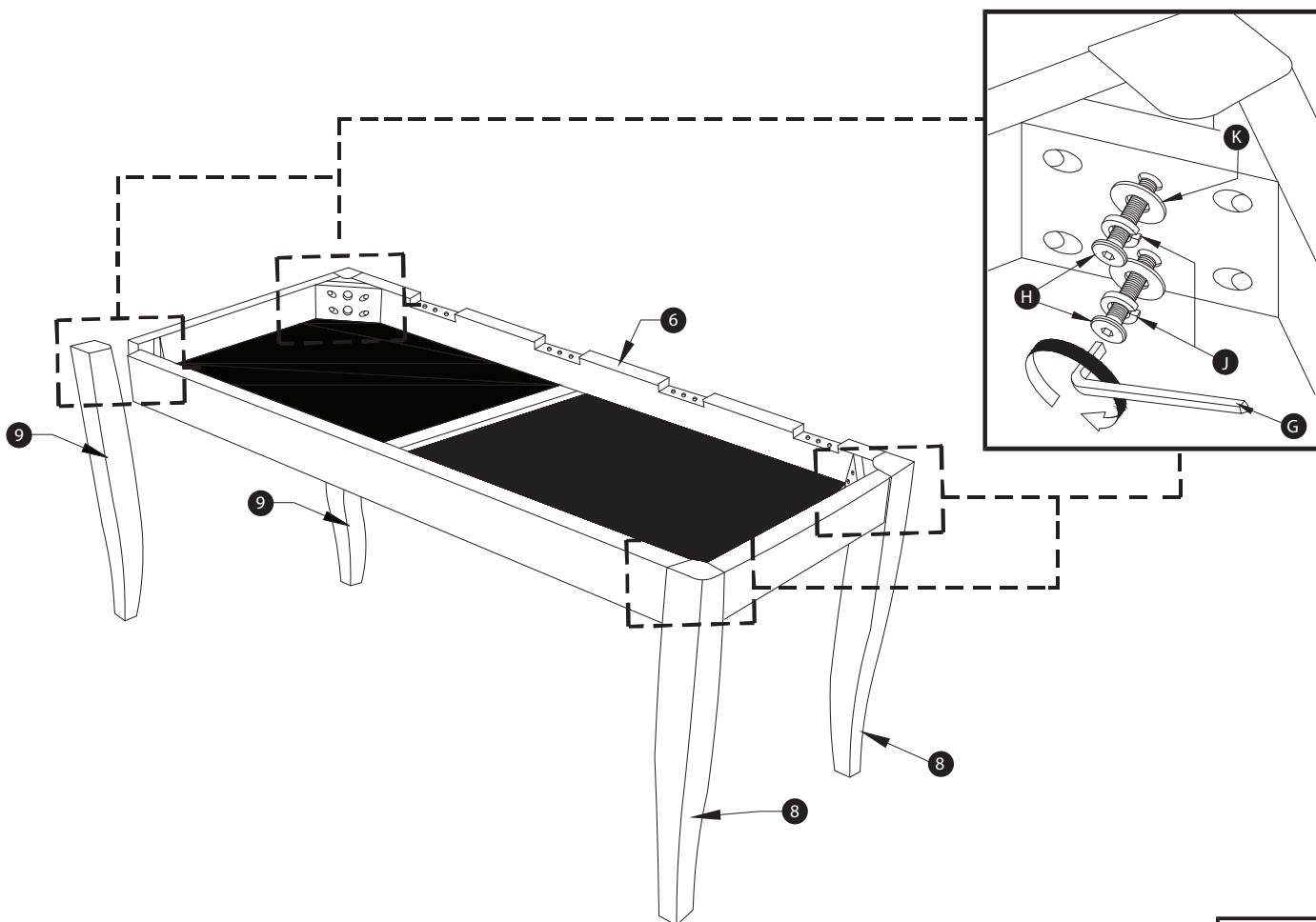
#### CHAIR PART LISTS

#### CHAIR HARDWARE LISTS

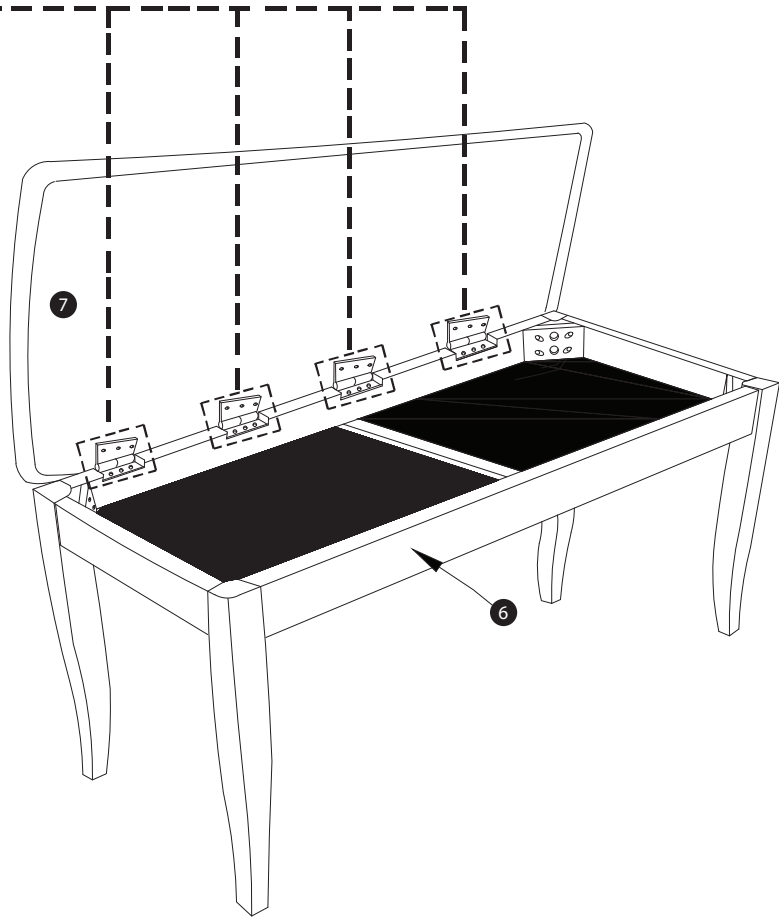
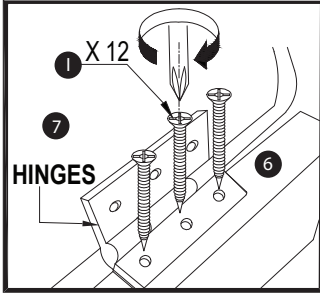
NO.	DESCRIPTION	SKETCH	QTY
6	BOX SEAT		1 PC
7	SEAT		1 PC
8	LEG ( R )		2 PCS
9	LEG ( L )		2 PCS

NO.	DESCRIPTION	SKETCH	QTY
H	JCBC BOLT M6 X 60 mm		8 PCS
I	CSK SCREW M3.5 X 16 mm		12 PCS
J	SPRING WASHER M6		8 PCS
K	FLAT WASHER M6		8 PCS

#### STEP 1



STEP 2



ASSEMBLY  
COMPLETE !

