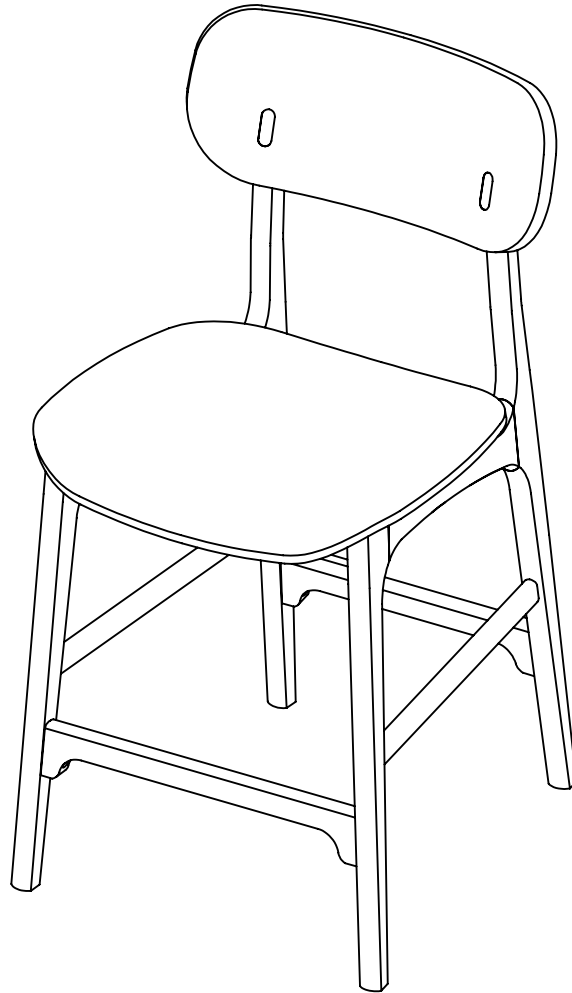


# ASSEMBLY INSTRUCTIONS

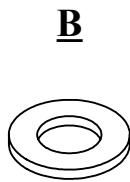
## STOOL

---

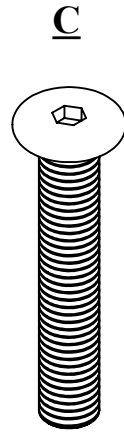




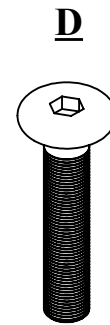
**SPRING WASHER**  
**10PCS**  
**M8\*10**



**FLAT WASHER**  
**10PCS**  
**M8\*16**



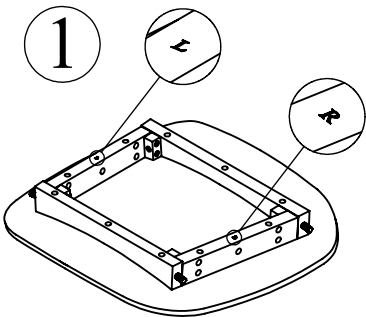
**BOLT**  
**14PCS**  
**M8\*45**



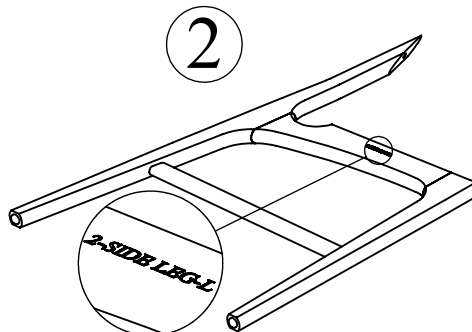
**BOLT**  
**2PCS**  
**M6\*30**



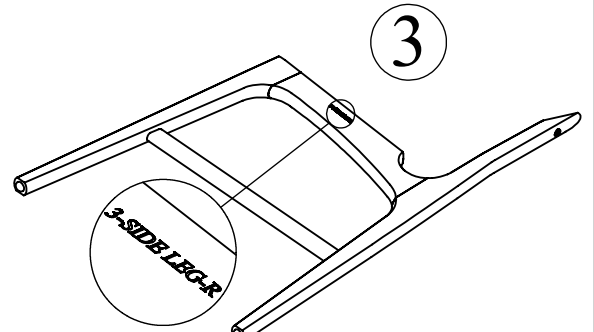
**1PC**  
**Allen Wrench**  
**M4\*110**



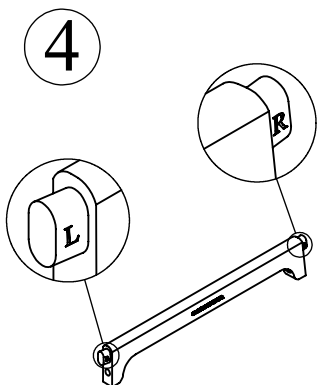
**SEAT WITH FRAME**



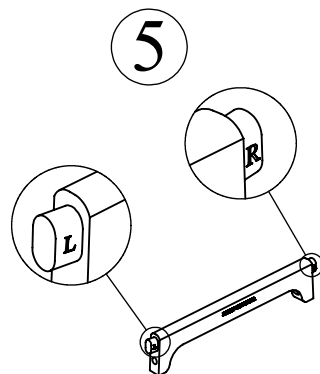
**SIDE LEG-L**



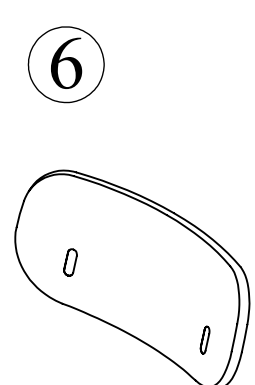
**SIDE LEG-R**



**FRONT STRETCHER**

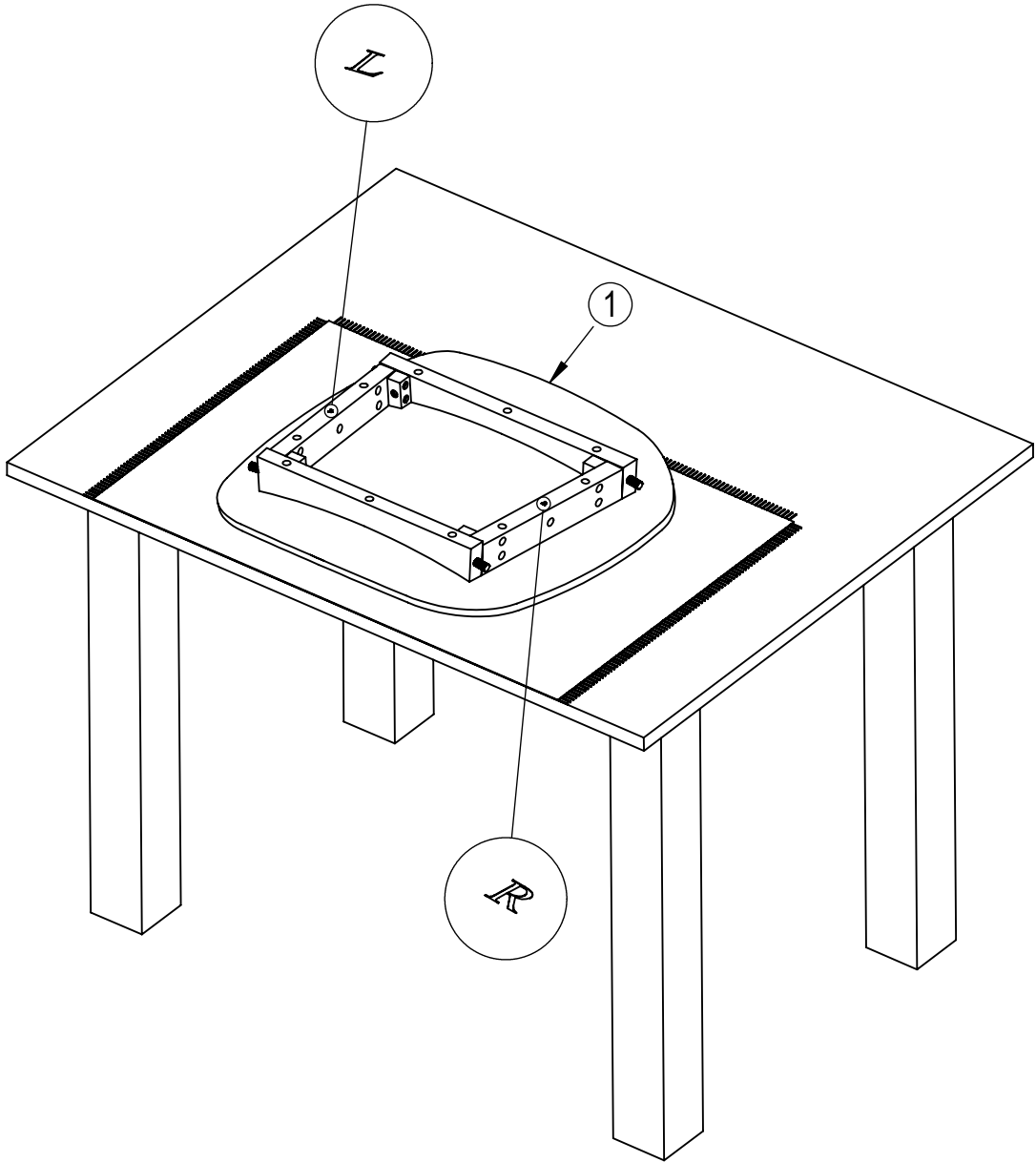


**REAR STRETCHER**



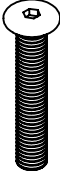


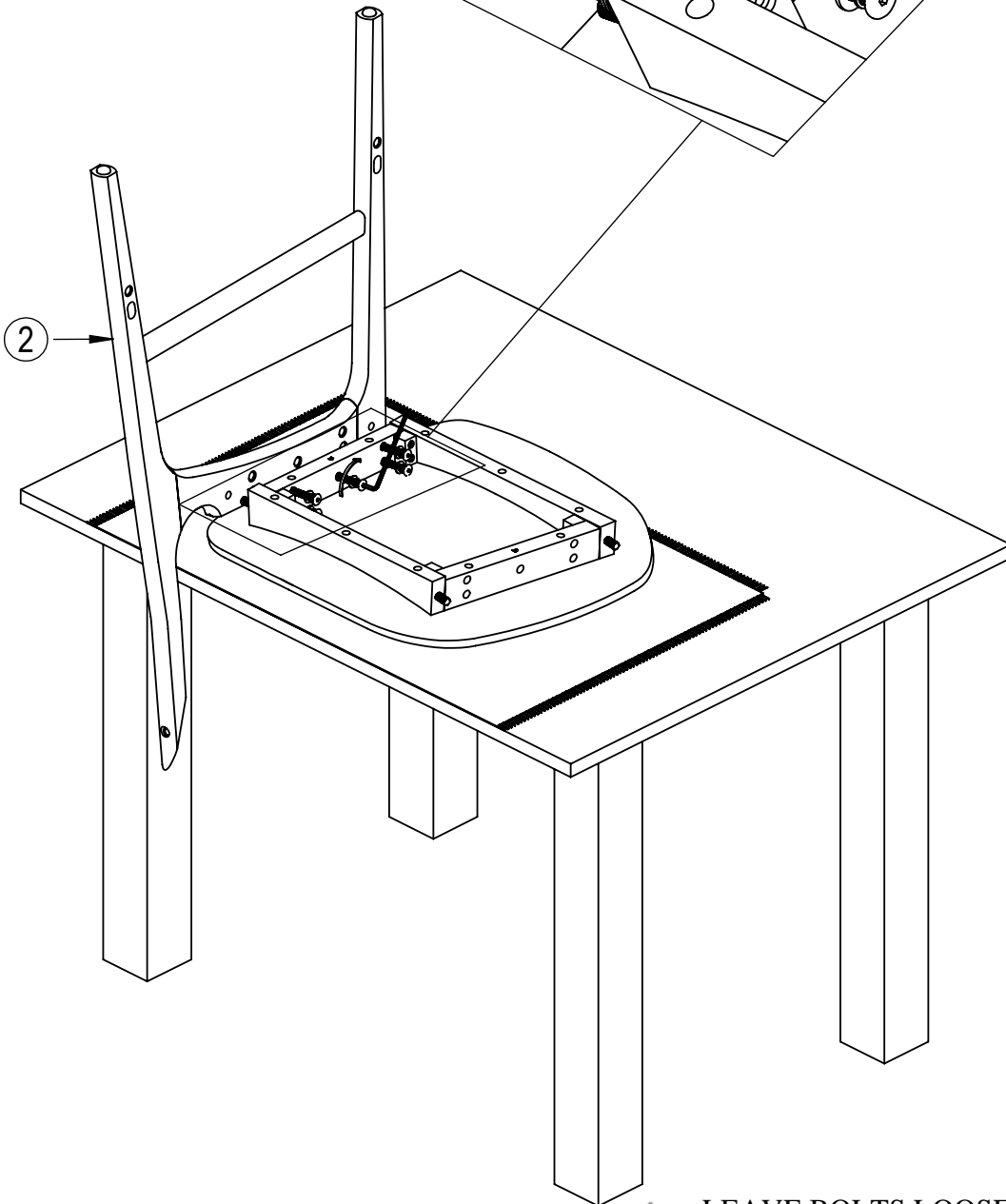
**BACKREST**

# 01



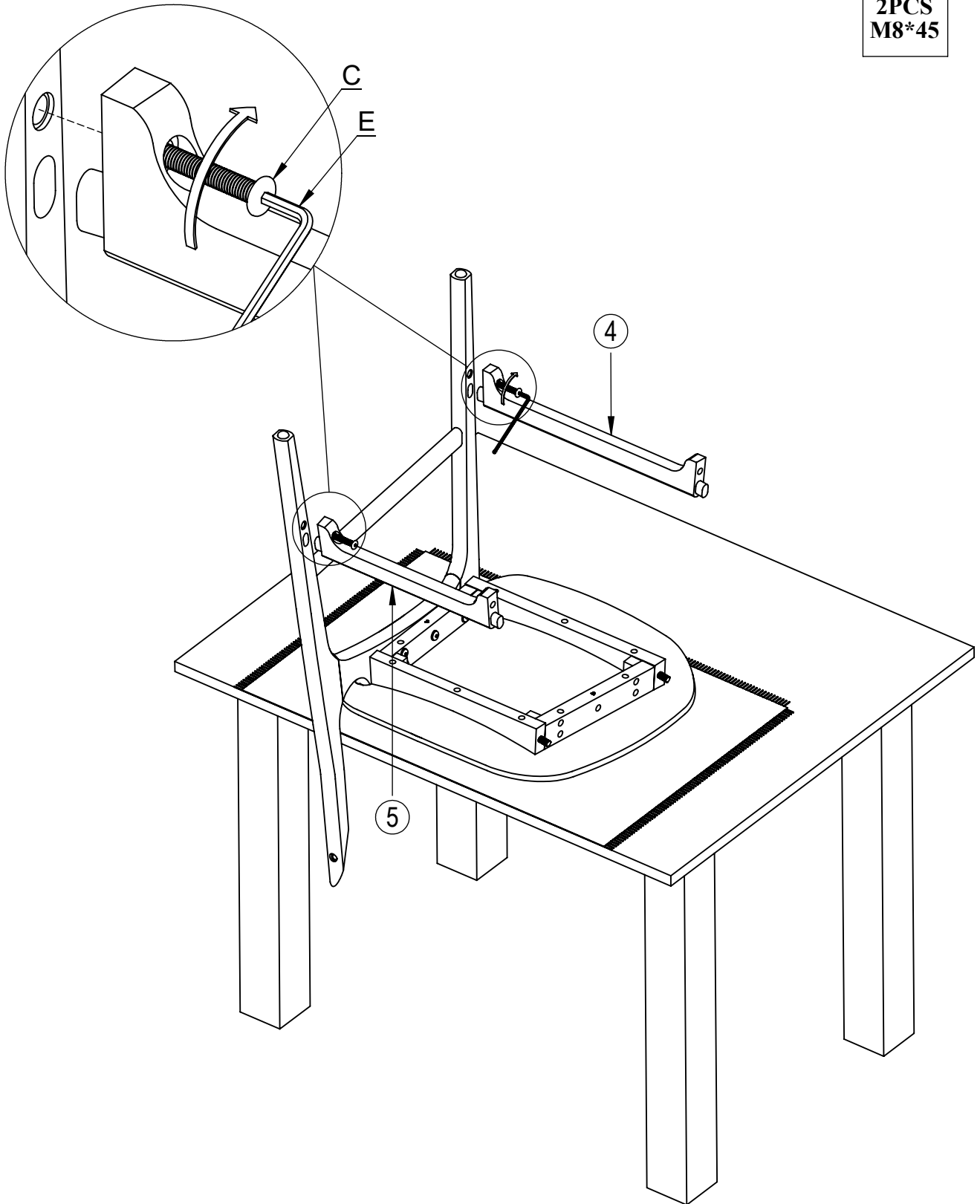
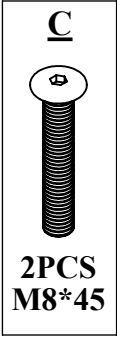
# 02

A	B	C
		
5PCS M8*10	5PCS M8*16	5PCS M8*45



 LEAVE BOLTS LOOSE.  
DO NOT TIGHTEN COMPLETELY AT THIS TIME.

**03**

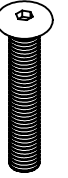


LEAVE BOLTS LOOSE.  
DO NOT TIGHTEN COMPLETELY AT THIS TIME.

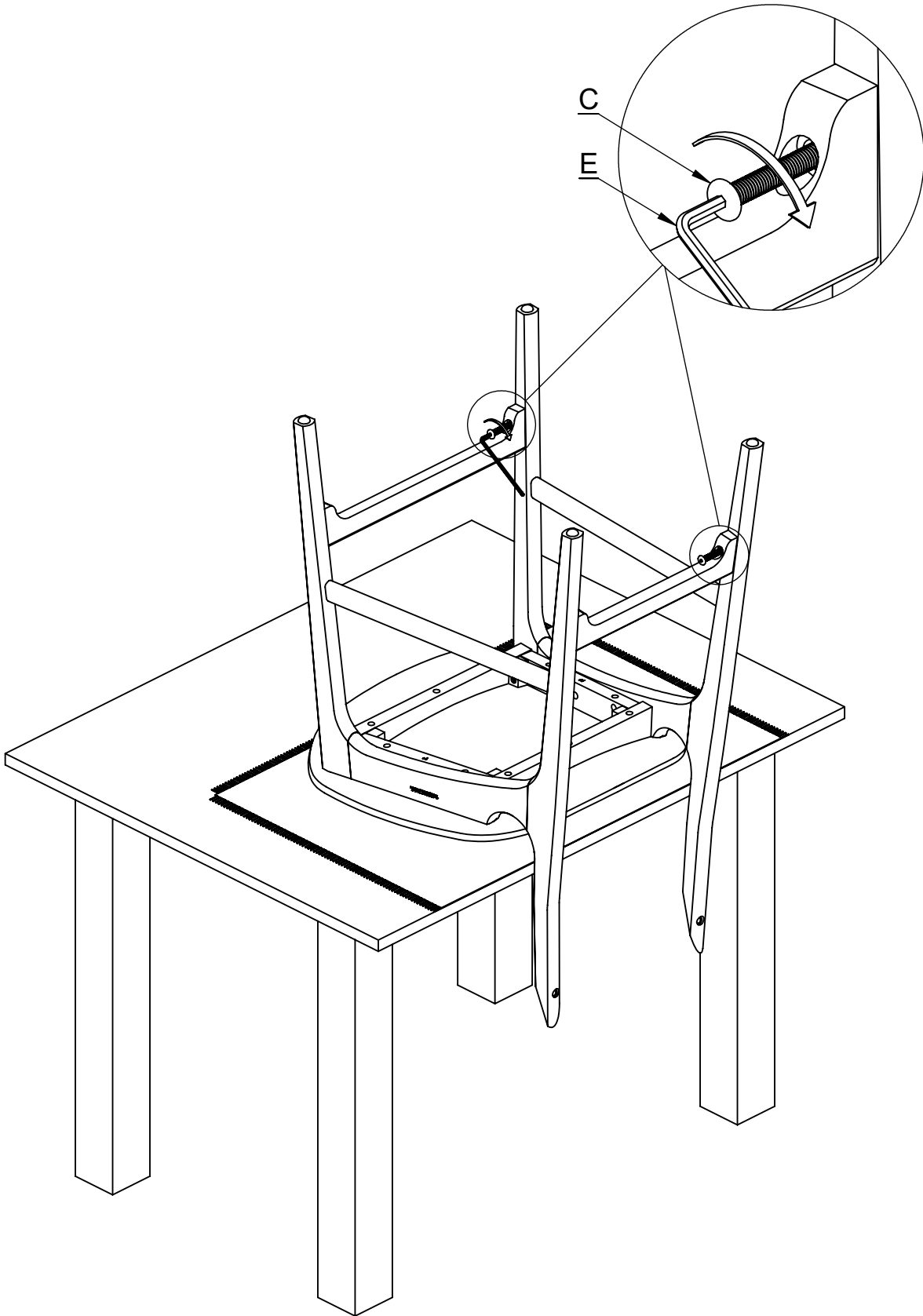


**05**

**C**



**2PCS  
M8\*45**



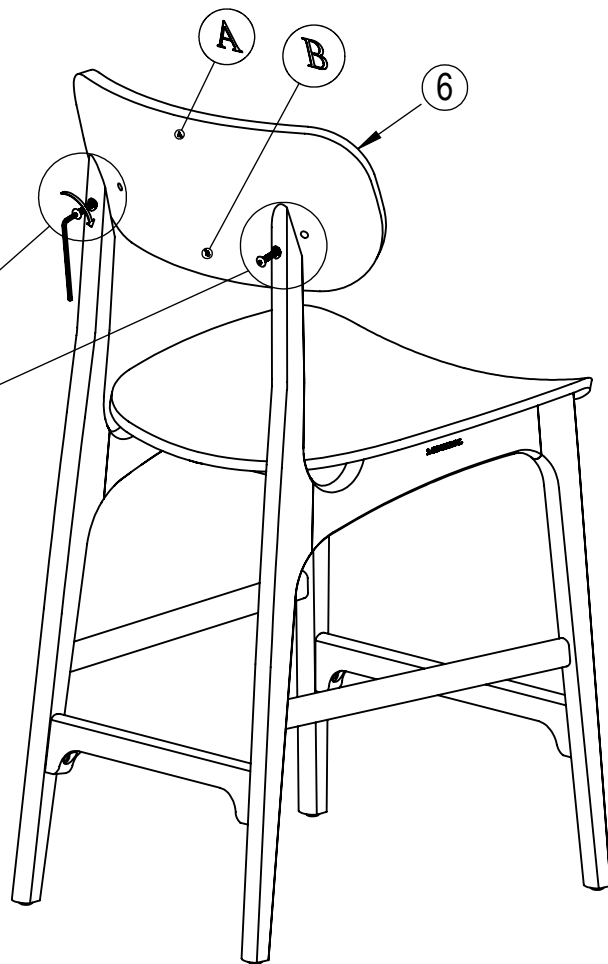
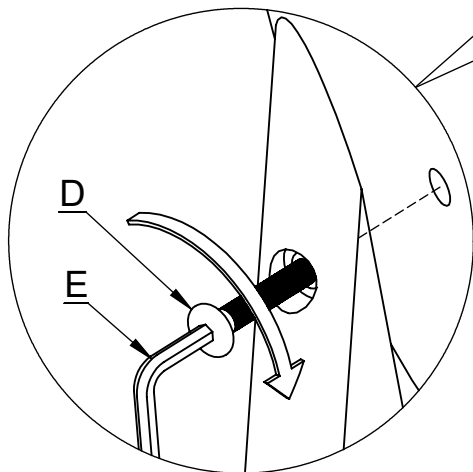
**LEAVE BOLTS LOOSE.  
DO NOT TIGHTEN COMPLETELY AT THIS TIME.**

# 06

**D**

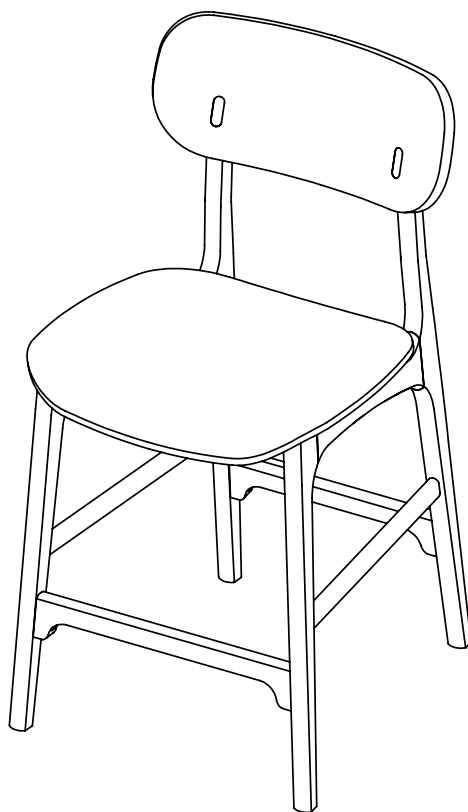


**2PCS  
M6\*30**



**TIGHTEN BOLTS COMPLETELY**

# 07



**TIGHTEN ALL BOLTS COMPETETLY FROM PREVIOUS STEPS.  
ENSURE THAT ALL PARTS ARE TIGHT AND SECURE BEFORE USE.**