



atlanticfurniture.com

FOUNDATION SUPPORT BOARDS

ATLANTIC

ASSEMBLY INSTRUCTIONS (QUEEN E-64400, KING E-64500)

Before assembling your Support boards, please read through these instructions carefully and familiarize yourself with the different parts. Please note that you will require a Phillips screwdriver.

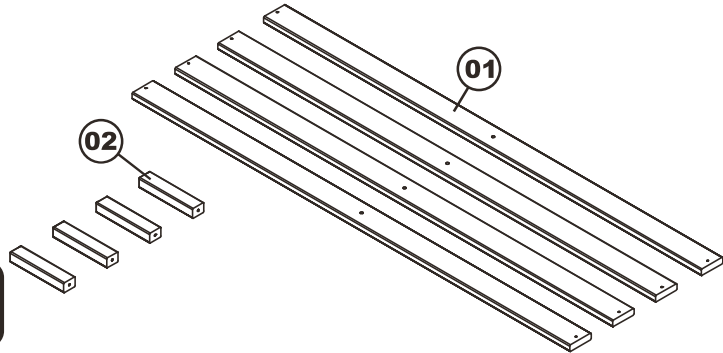
ATTENTION! If you receive a damaged or defective item, please contact Atlantic Furniture at service@atlanticfurniture.com or 1-800-955-3726



PARTS LIST

01 SUPPORT BOARDS 4 PCS

02 CENTER LEG 4 PCS

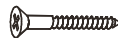


PO :

HARDWARE



A 1 1/2" Allen screw - 4 pcs
Spare - 1 pc



B 1 1/4" Wood screw - 8 pcs
Spare - 1 pc



C Allen wrench - 1 pc
Spare - 1 pc

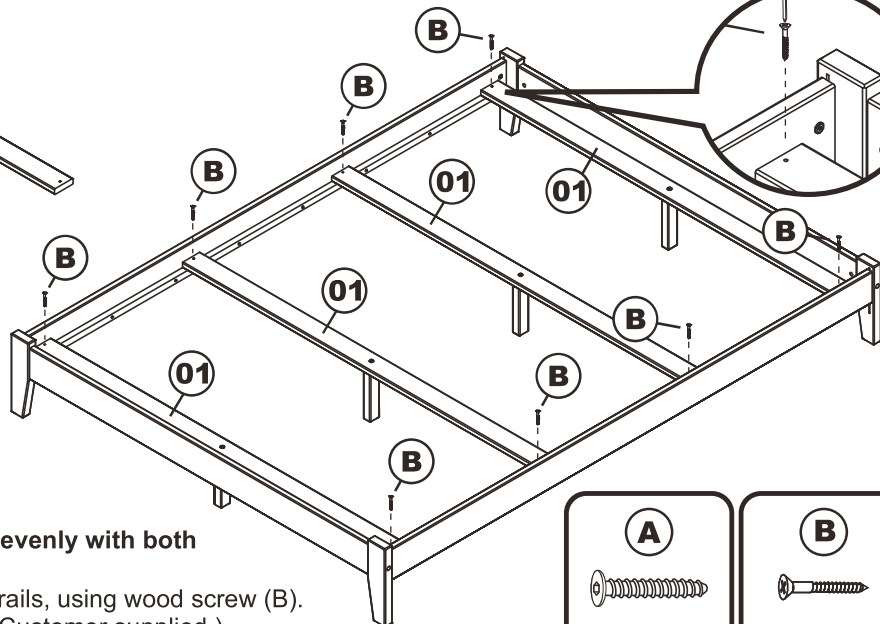
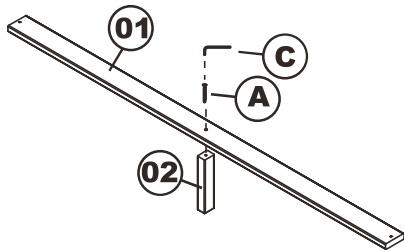
NOTE: WE INCLUDE SPARE HARDWARE IN CASE THE WOOD SCREW OR ALLEN SCREW ARE DAMAGED DURING ASSEMBLY.

Step 1

Assemble bed frame according to assembly instructions.

Step 2

Assemble center leg (02) and support boards (01). Using allen screw (A). Tighten with the Allen wrench (C). Repeat for other center legs.



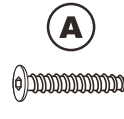
Adult assembly

Step 3

Be sure to align support boards evenly with both ends of side rails.

Screw support boards (01) to side rails, using wood screw (B). Tighten with Phillips screw driver. (Customer supplied)

Be sure the space between support boards is even.



Allen screw



Wood screw