

HARDWARE LIST

ASSEMBLY INSTRUCTIONS FOR FOOSBALL TABLE

A

WASHER
Ø1/4"



6 PCS.

B

BALL



2 PCS.

C

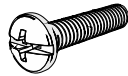
ALLEN KEY
3/32"



1 PC.

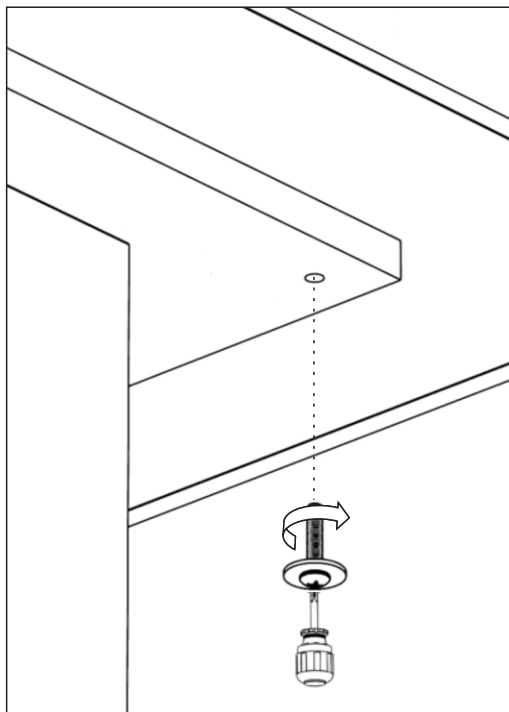
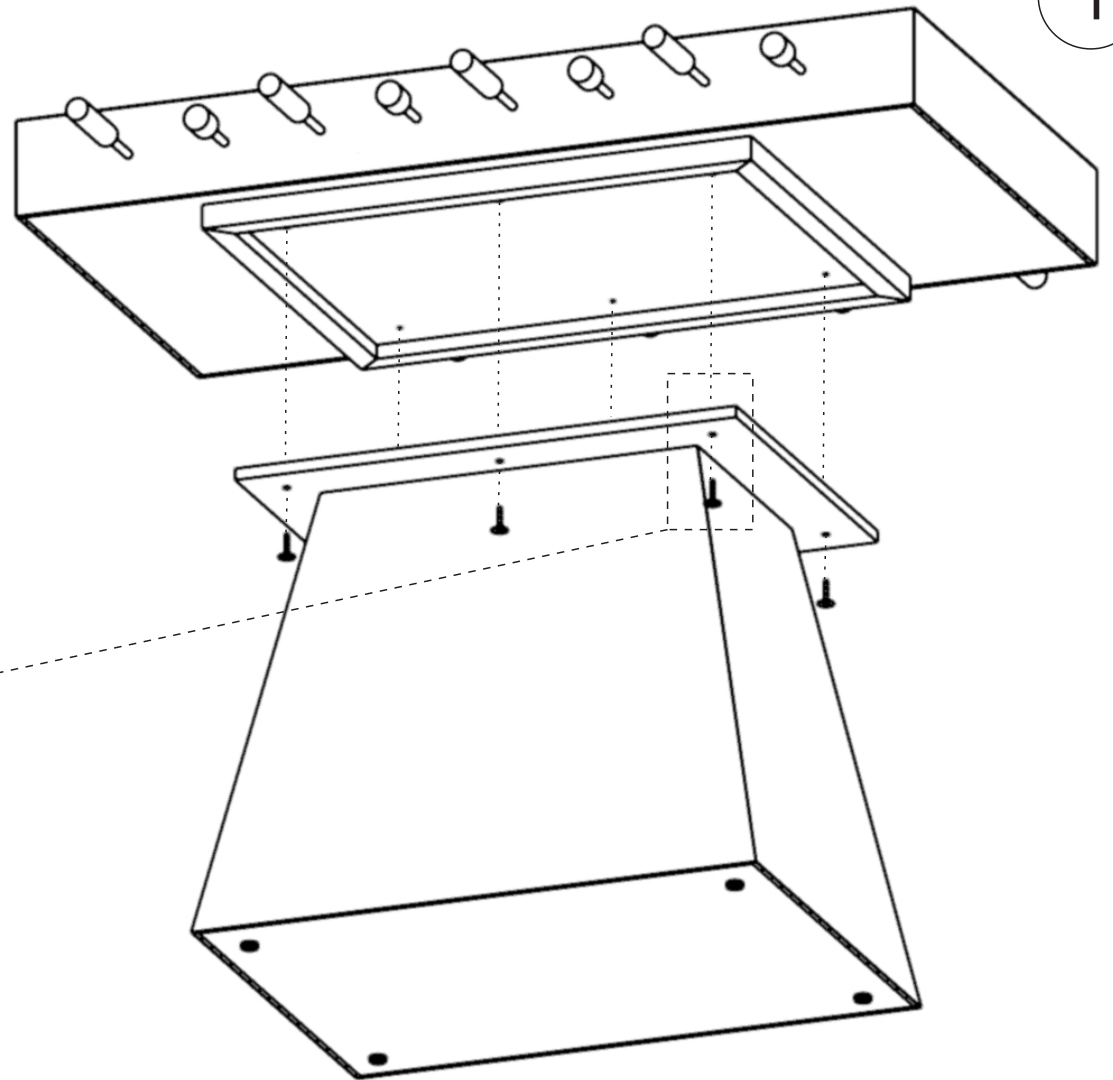
D

BOLT
Ø1/4" X 1"



6 PCS.

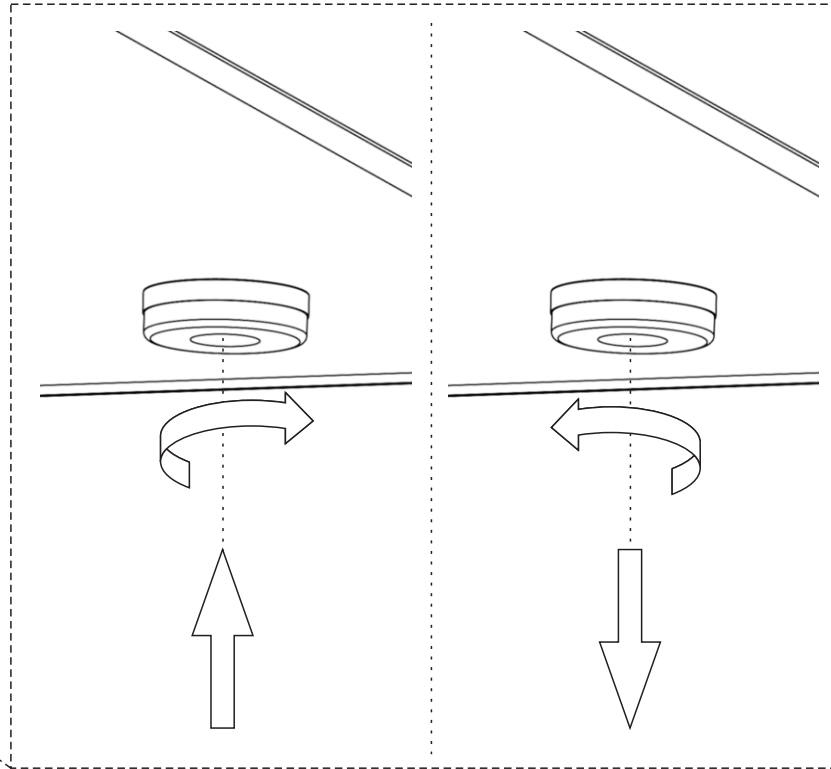
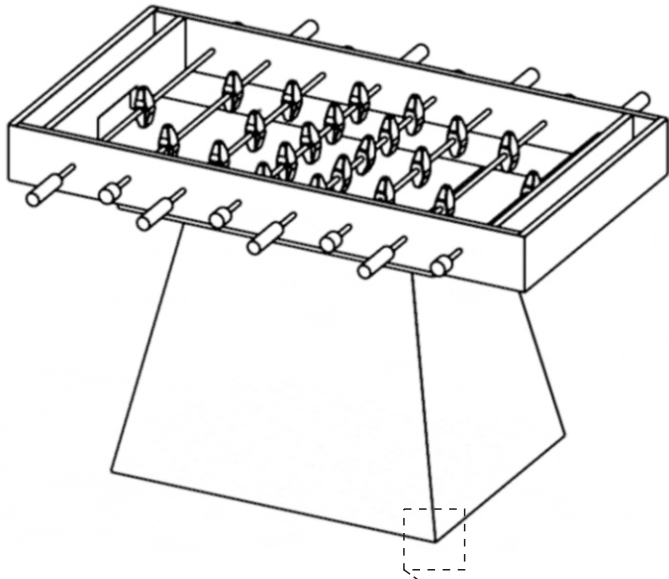
1



**“HEAVY ITEM HANDLE
WITH CARE, CAREFULLY**

**NOTE: SCREW DRIVER NOT
INCLUDED**

ASSEMBLY INSTRUCTIONS FOR FOOSBALL TABLE



ADJUST LEVELER FOR BALANCE

Adjusting Floor Levelers

Your furniture has been expertly crafted and pre-adjusted by professionals. However, slight shifts can occur during transportation. If you notice that the doors are not perfectly aligned or the furniture wobbles, a quick adjustment can help ensure stability and a seamless look.

Adjust the Floor Levelers

Check for Stability – Place the furniture in its final position on a level surface. If it wobbles or doesn't sit evenly, the floor levelers need adjusting.

Locate the Levelers – These are small adjustable feet found at the bottom corners of your furniture.

Adjust as Needed – Using your hand or a wrench, turn the levelers clockwise to raise or counterclockwise to lower the furniture. Make small adjustments and check stability after each turn.

ASSEMBLY INSTRUCTIONS FOR FOOSBALL TABLE

