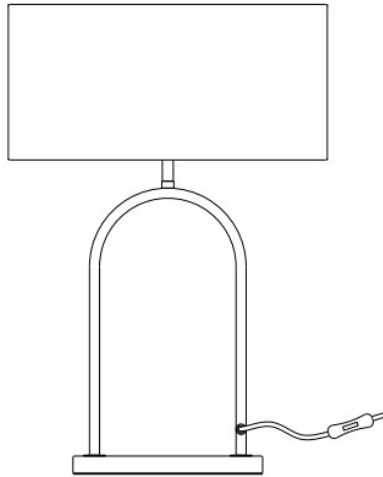


ASSEMBLY GUIDE



Important - Please read these instructions fully before starting assembly



**SAFETY AND
CARE ADVICE**



NO POWER TOOLS

SAFETY AND CARE ADVICE

- Check you have all the components and tools listed.
- The lamp must be protected by a 3 amp fuse in the main plug. This lamp can only be used with a 220V~240V 50Hz power source
- Intended for indoor use and must not be used in bathrooms or near any liquids
- Do NOT plug in or use with product until it has been completely assembled and the light bulb has been installed. During assembly or maintenance, make sure the lamp is disconnected from the mains.
- Ensure the lamp is placed on a level and stable surface during use
- Under no circumstances must this lamp be covered with any type of material or have anything hung from any part of the lamp. Covering the lamp could pose a safety hazard.
- If the external flexible cord or switch of the lamp is damaged, do NOT use the lamp under any circumstances.
- Waste electrical products cannot be disposed of with normal household waste. Please check with your local authority for your nearest recycling centre that accepts electrical products.
- When replacing the light bulb, make sure the lamp is switched off at the mains plug to allow it to cool down. (CAUTION: light bulbs get hot during use)

IMPORTANT INFORMATION






5 MINUTE
BUILD



ONE
PERSON

SAFETY AND CARE ADVICE (CONTINUED)

- Make sure to use the correct wattage and type of light bulb for the lamp. Using light bulbs of a higher wattage than the lamp requires can cause a safety hazard and may cause damage to the lamp. Lamp requires:

E14 1 X MAX 4W	
E14 1 X MAX 8W	
E14 1 X MAX 18W	
220-240V~50HZ	

(bulb not included)

- To clean the lamp, use a dry clean cloth ONLY. Do NOT use any liquids or cleaners on the lamp. If any liquids are spilt on the lamp, stop using immediately and contact a qualified electrician for advise.
- Incorrect assembly and/or use of the lamp will void the warranty.
- If you have any doubt about installation/use of the lamp, consult a qualified electrician.

Use a clean, flat, soft surface to avoid any bumps or scratches.

STEP 1

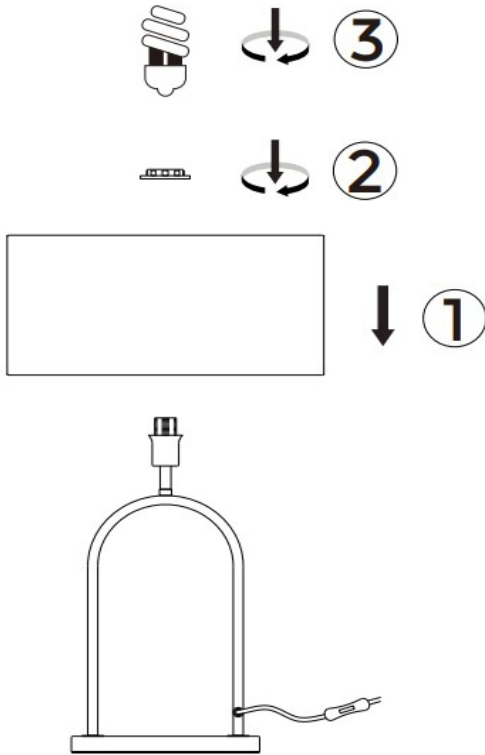
Remove socket cap, drop lamp shade over bulb socket.

STEP 2

Replace and tighten the socket cap to secure shade to lamp.

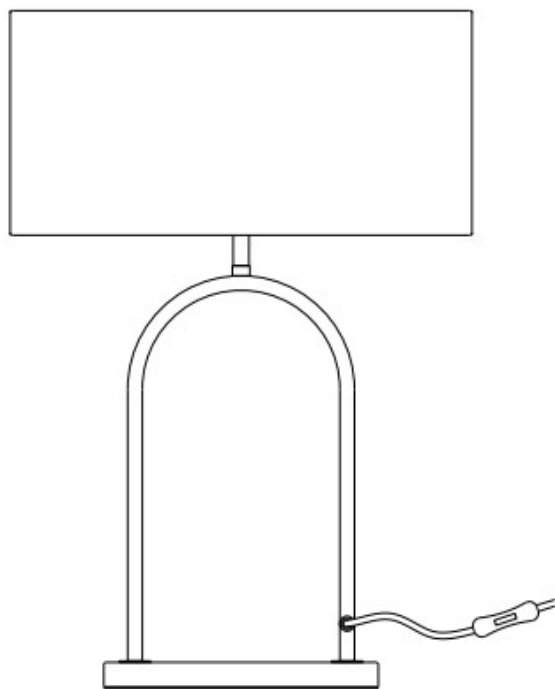
STEP 3

Carefully insert the correct bulb for this lamp - requires 1x E14 bulb.



NOTE: The quantities above are the correct amount to complete the assembly. In some cases more fittings may be supplied than are required.

Your lamp is now ready to use!





WE **LOVE** INTERIORS! SHARE YOURS WITH US ON SOCIAL MEDIA

1. follow us on Instagram
2. post your interior
3. tag us to be featured



OUR 2 YEAR* GUARANTEE

our products come with a 2 year guarantee to give you peace of mind shopping at

*excludes some garden furniture items which have a 1 year guarantee



WHAT THE GUARANTEE COVERS



PRE-INSERTED FIXINGS

e.g. loose metal threads



FAULTY JOINTS

e.g. legs bending



EXTERNAL FIXING FAULTS

e.g. bonding/glue



STRUCTURAL INTEGRITY

e.g. the frame of the product