

# Vanity Installation

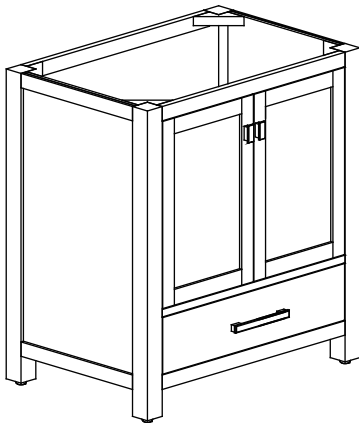
SUGGESTED TOOLS AND MATERIALS / *OUTILS ET MATÉRIAUX PROPOSÉES*



Tape Measure / *Mètre à ruban*

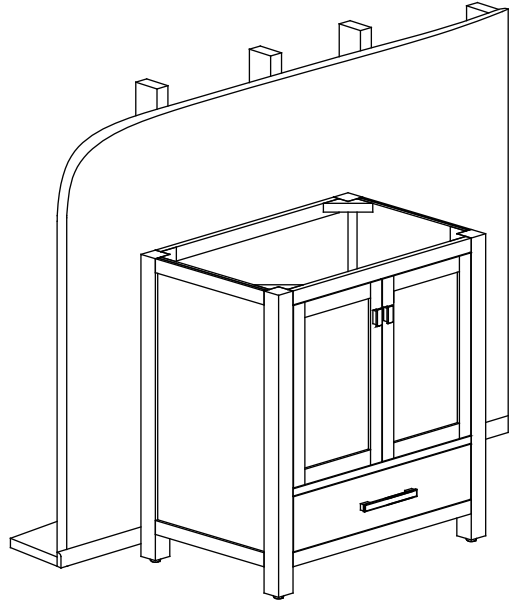
INSTALLATION INSTRUCTIONS / *Les instructions d'installation*

**1**



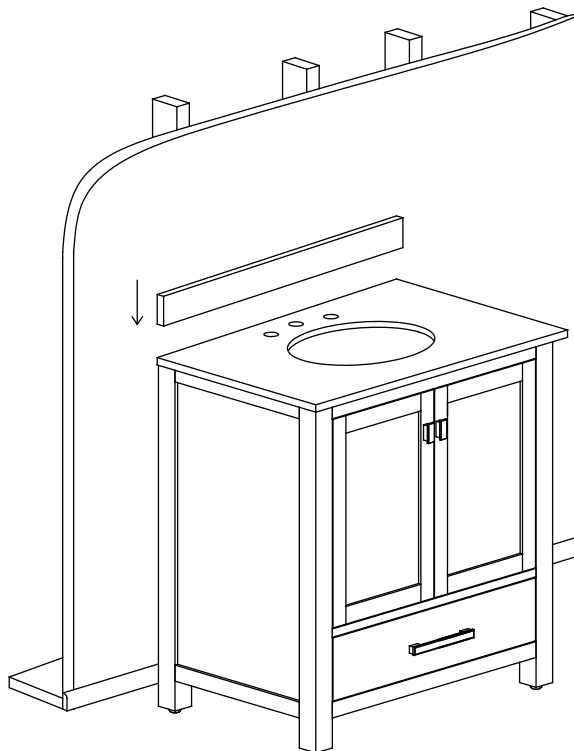
Remove vanity from box and examine vanity for any defects or damage.

**2**



Carefully place vanity against wall.

**3**



Install vanity top according to manufacturer's directions.