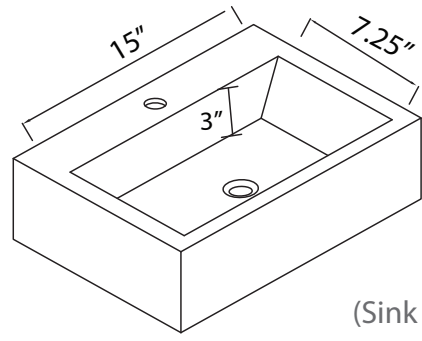
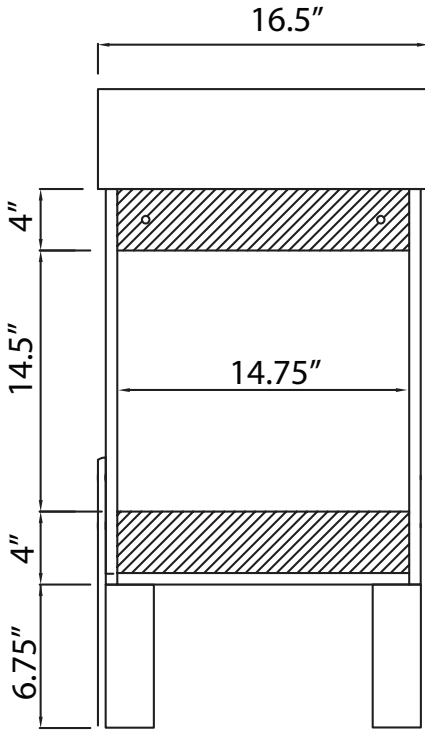


SPECIFICATION

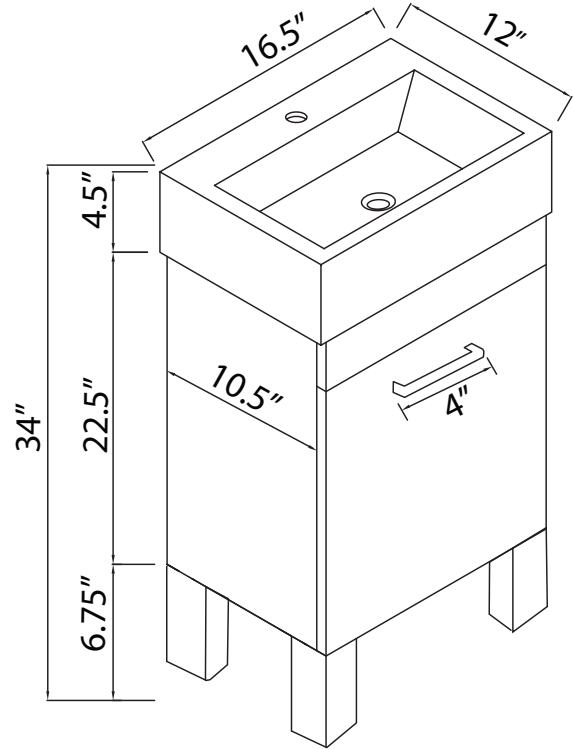
DIMENSIONS: W 16.5" | D 12" | H 34"



(Sink Dimensions)



(Back View)



(Side View)

PRODUCT OVERVIEW

- Space Saving Design
- Soft-closing Cabinet Door
- Brush Nickel Hardware
- Detachable Cabinet Legs
- Included Mounting Bracket For Wall Mount Installation.

CARE AND CLEANING

- Avoid using any type of rough cleaners or chemicals on the finish.
- Cabinet finish is water resistant, use mild liquid soap and a soft cloth to clean the cabinet body.
- Scrub the cabinet smoothly, while cleaning do not remove or scratch the finish.

WARRANTY

warrants marble, fittings and finishes to be free from any defect in workmanship and materials under normal use and service for a period of one (1) year. In case of any damage, report it within 30 days.
