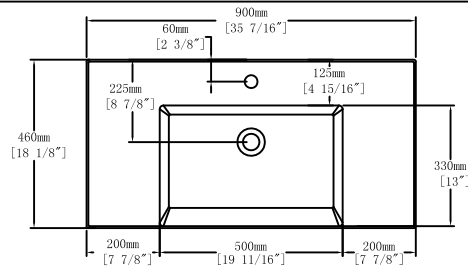
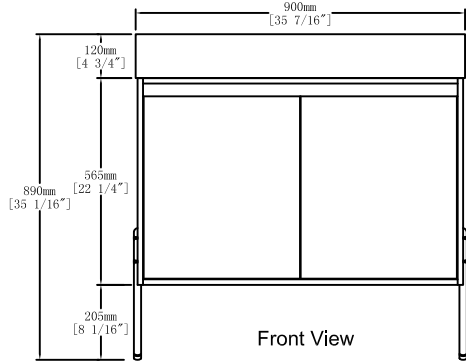


Dimensions

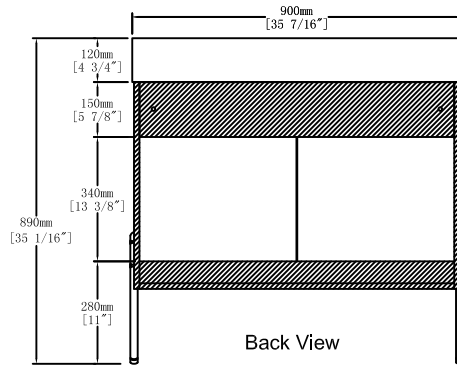


Top View



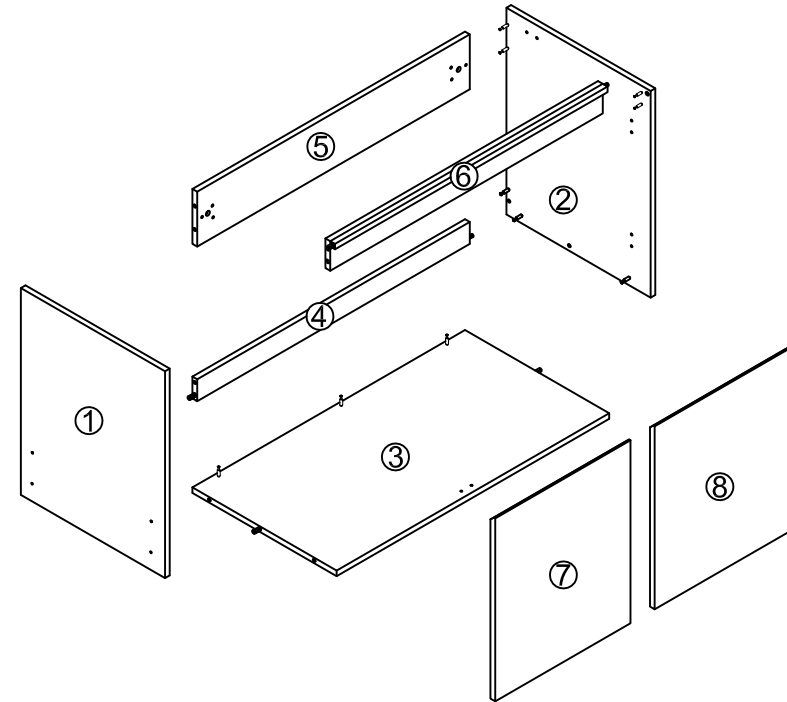
Front View

Please note: The basin is not included



Back View

Components

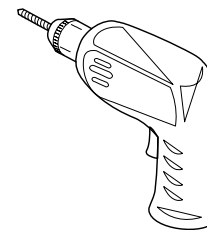


Hardware

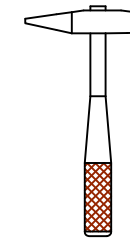
NO.	Draw	QTY
A	Screws Ø4x14mm	44
B	Two-in-one connector	17
C	Two-in-one connector	17
D	Wood plug	6
E	Plastic anchor(Ø10mm)	2
F	Screws for fix on the wall	2
G	Bracket (53x70x44mm)	2

NO.	Draw	QTY
H	Bracket (19x19x35mm)	2
I	Metal Feet	4
J	Screws M4x14mm	8
K	Hinges (Internal hiding)	4
L	Door stopper	2
M	Anti-collision gasket	2
N	Screwdriver	1

Recommended tools You Will Need-Outils Require



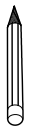
Power drill



Hammer



Silicone

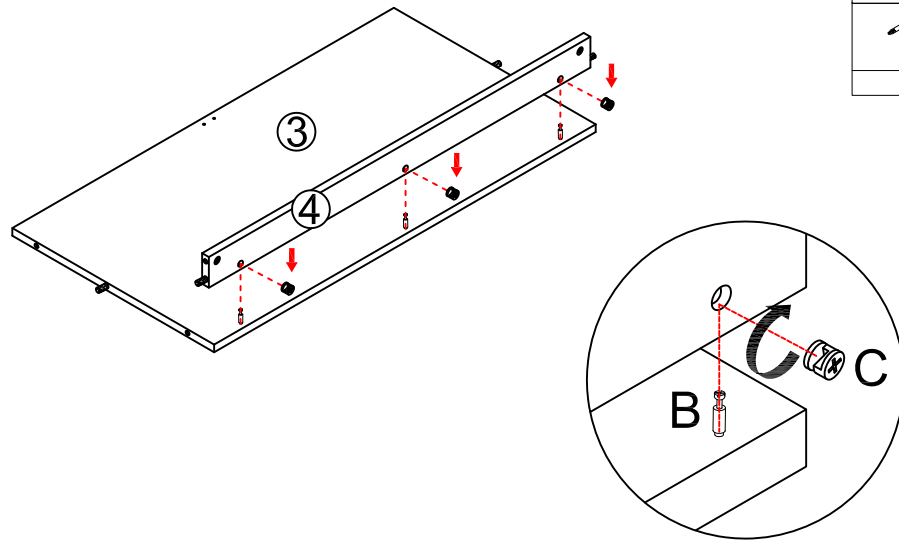


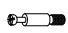


Pencil



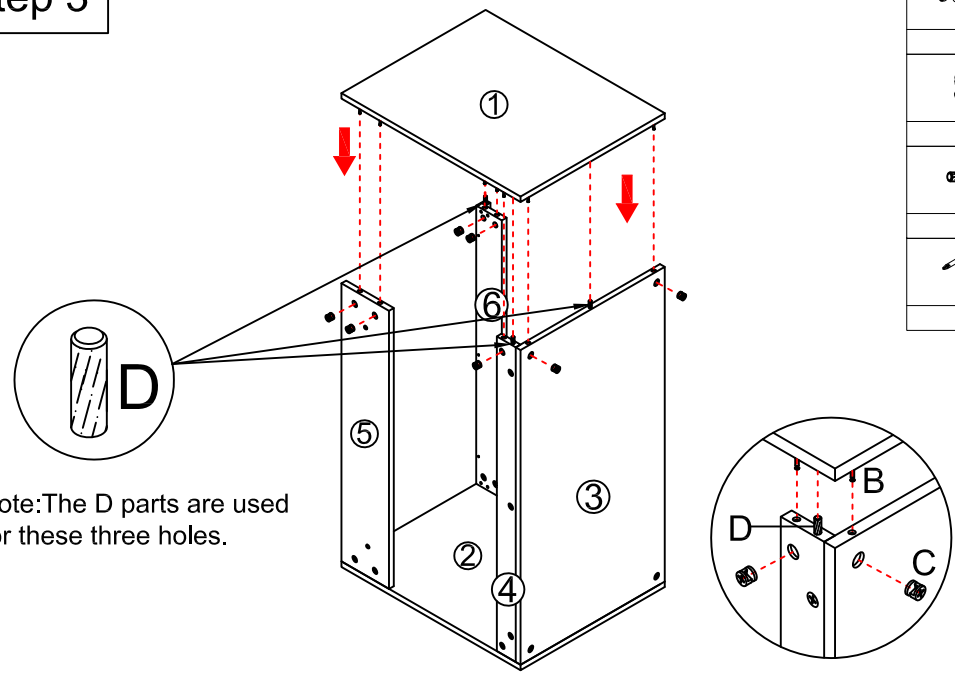
Screwdriver

Step 1

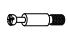





-  x3
-  x3
- 

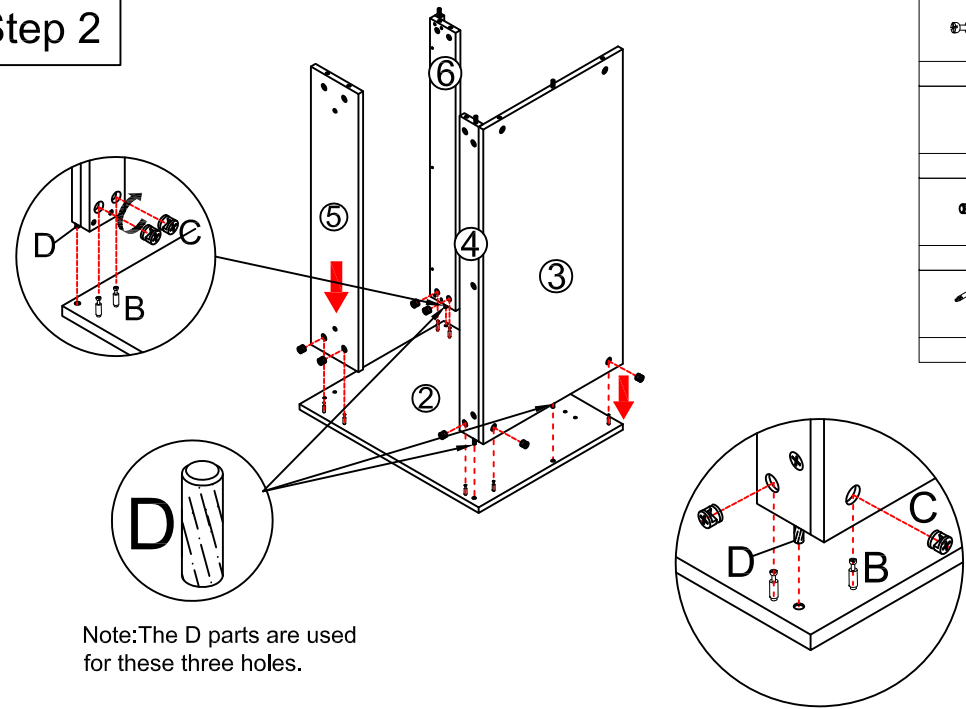
Step 3



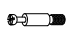



Note: The D parts are used for these three holes.

-  x7
-  x7
-  x3
- 

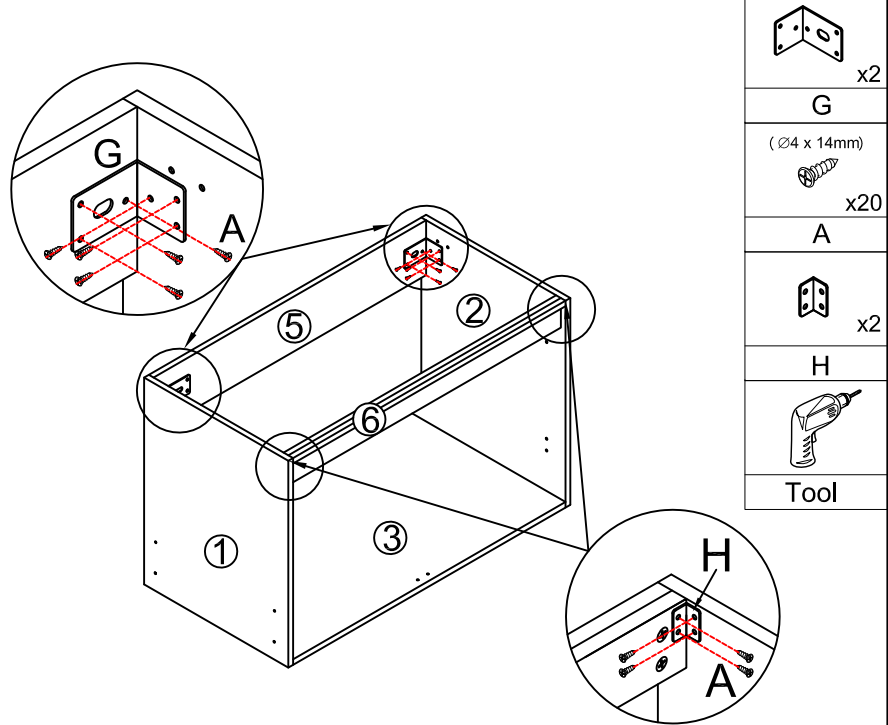
Step 2







Note: The D parts are used for these three holes.

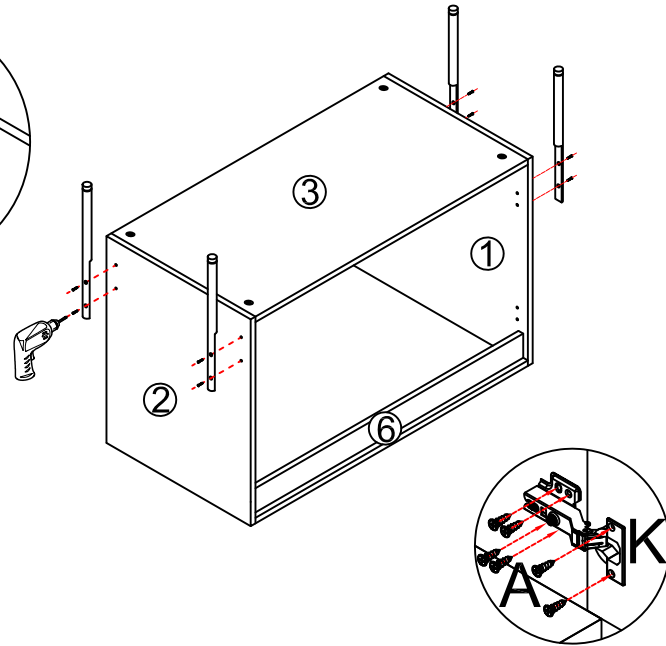
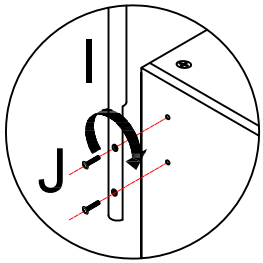
-  x7
-  x7
-  x3
- 

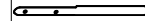


Step 4



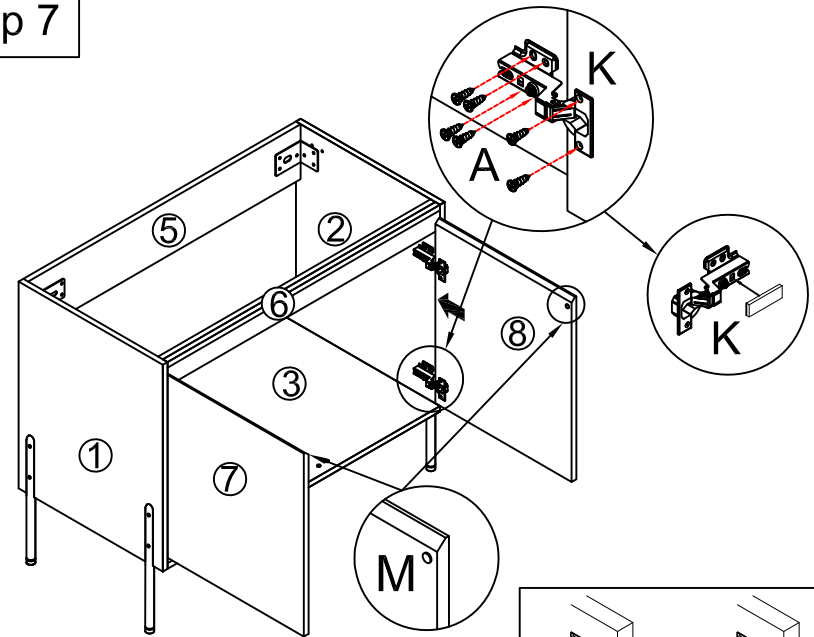
-  x2
-  (∅4 x 14mm) x20
-  x2
- 





Step 5



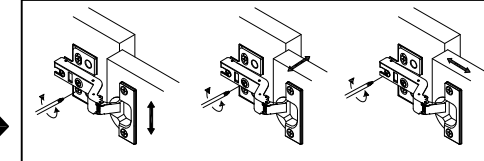
-  x4
- I
(M4x14mm)
-  x8
- J
-  Tool

Step 7

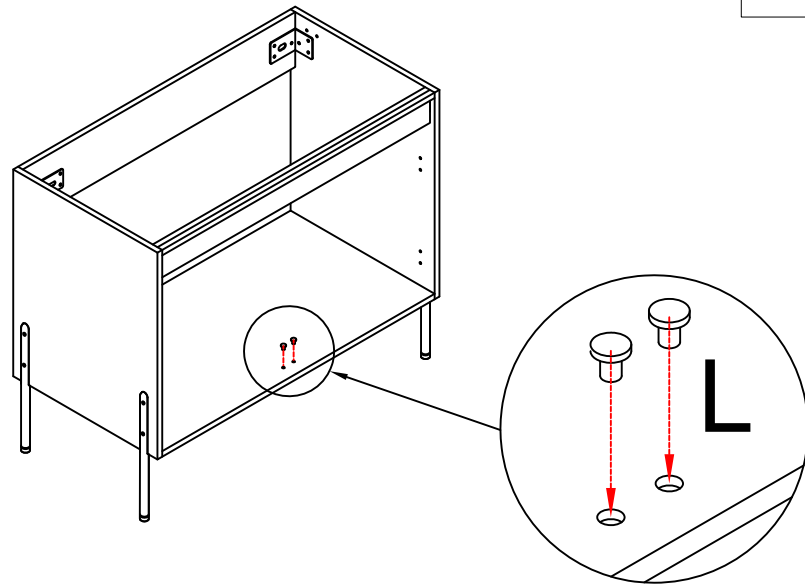



-  x4
- K
(Ø4 x 14mm)
-  x24
- A
-  x2
- M
-  Tool

You can adjust the doors by tightening or loosening the screws on the hinge. →

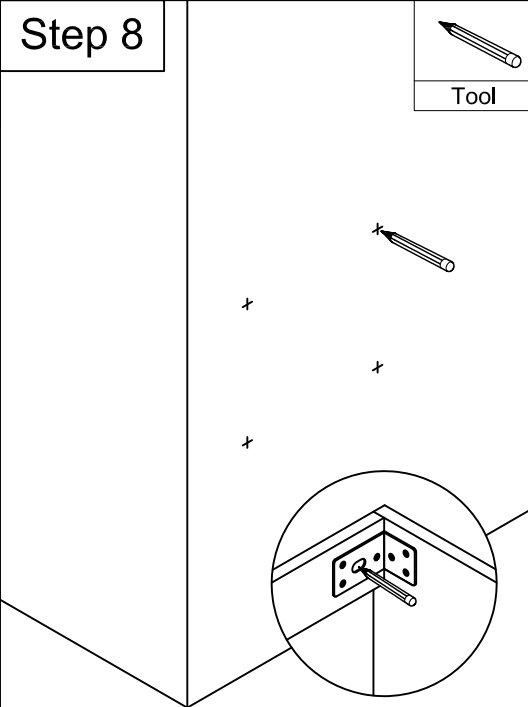



Step 6



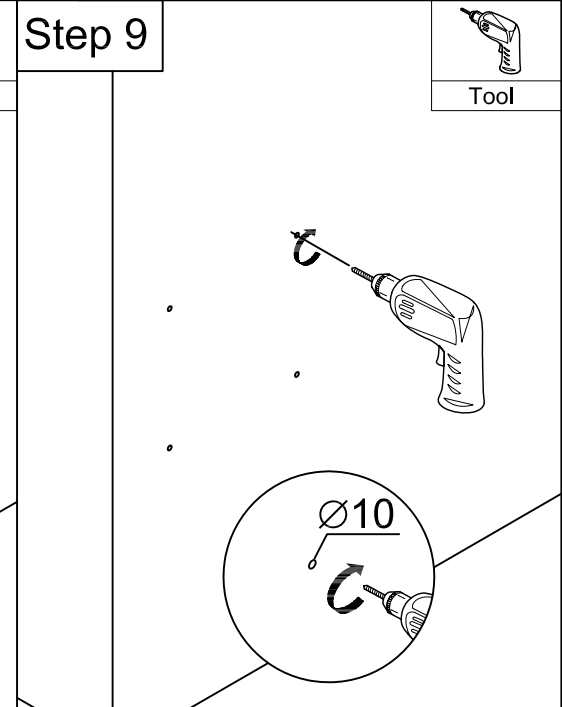
-  x2
- L

Step 8



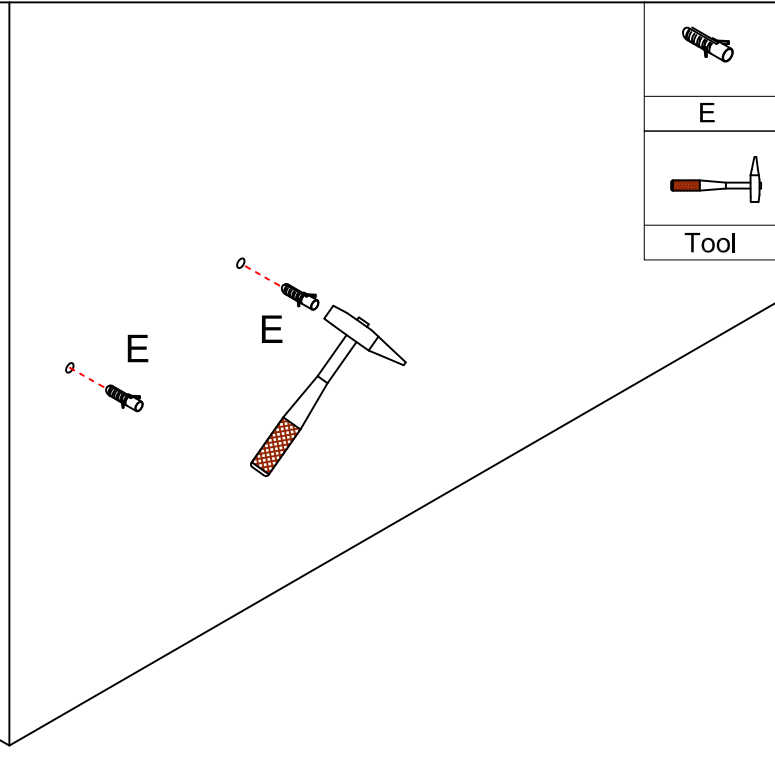
-  Tool


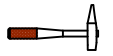
Step 9



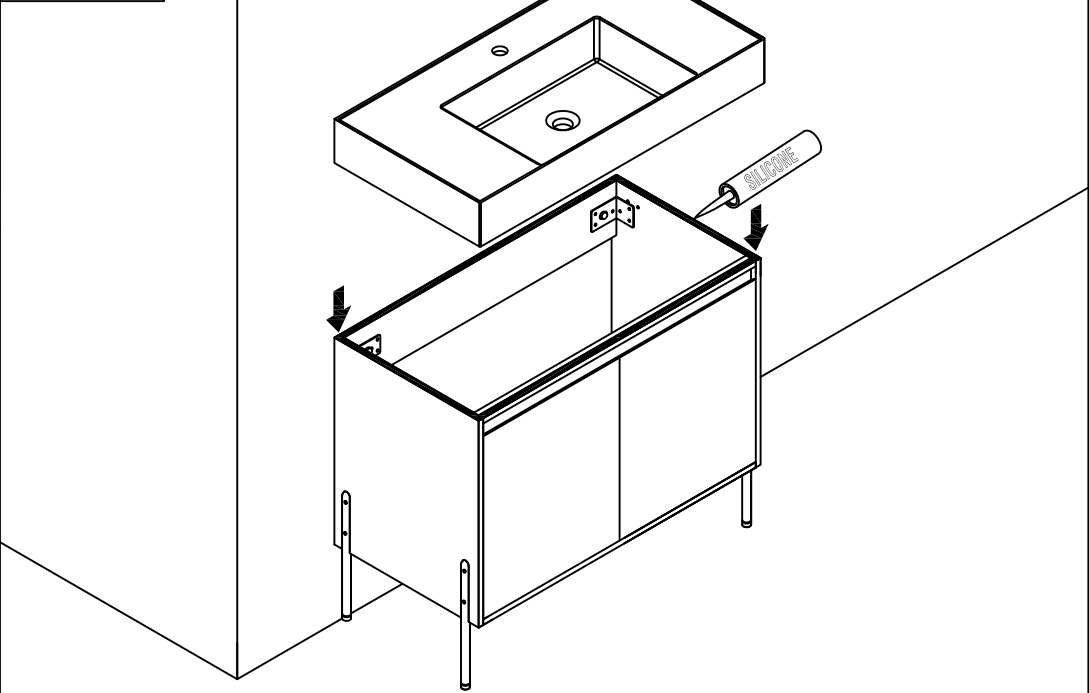
-  Tool

Step 10

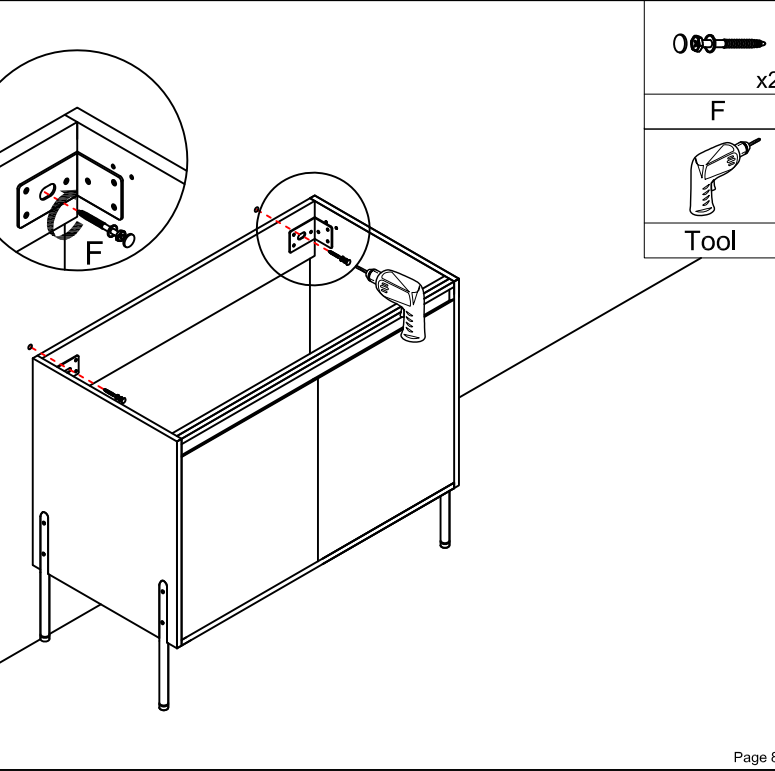


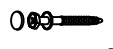

-  E
-  Tool

Step 12

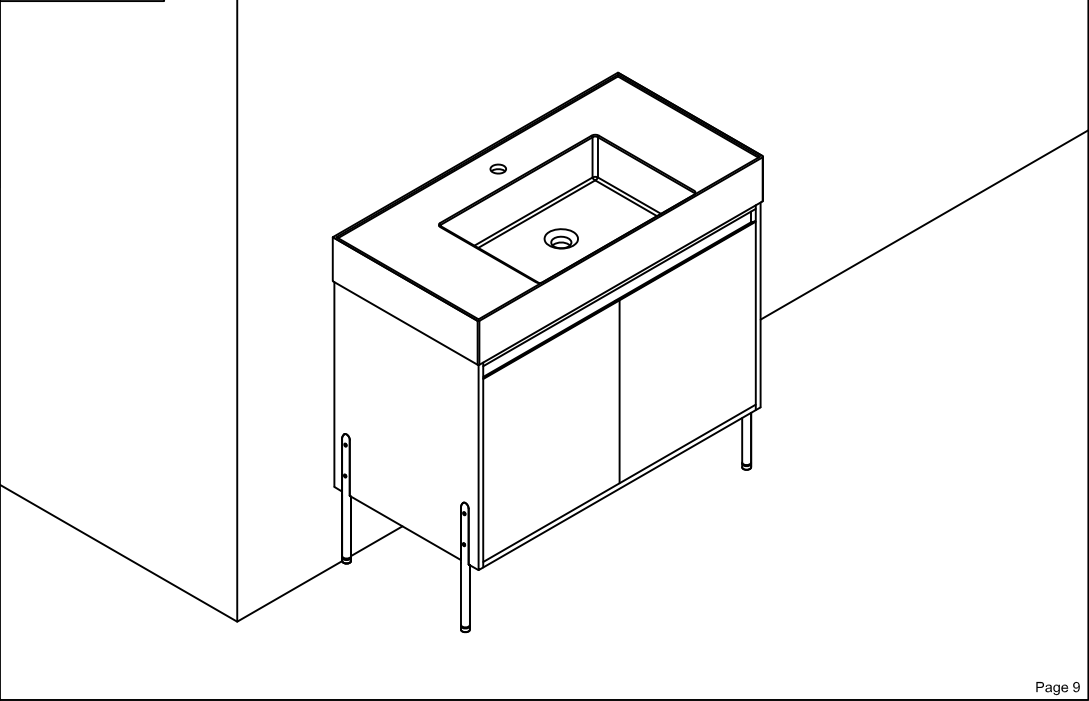


Step 11

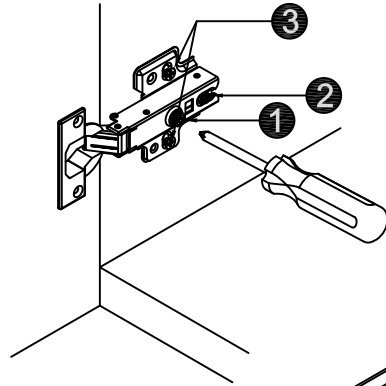


-  F x2
-  Tool

Finished

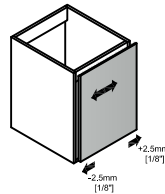


HINGE ADJUSTMENTS



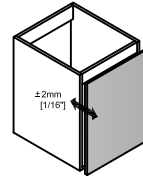
① Coverage Distance

Rotate screw to the right: Coverage distance decrease (-)
Rotate screw to the left: Coverage distance increase (+)



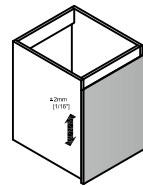
② Depth Distance

Rotate screw to the right: Coverage distance decrease (-)
Rotate screw to the left: Coverage distance increase (+)



③ Height Distance

Release the base screw, adjust the height of the door, and then tighten the screw.



CARE CLEANING AND MAINTENANCE

1. Dust regularly with a soft, dry cloth.
2. Avoid the use of all chemicals household cleaners, abrasives, or cleaners that contain lemon, vinegar, or other acids that may damage the finish.
3. Excessive exposure to sunlight and extreme changes in temperature and moisture can damage wood furniture.
4. The sink top is resilient, but care needs to be taken to preserve its appearance.
5. Do not place hot appliances, such as curling irons and hot hair dryers directly on the countertop. Wipe spills immediately.

THANKS FOR WATCHING

Your feedback is invaluable to us and we would love to hear about your experience. Please take the time to leave us a review.