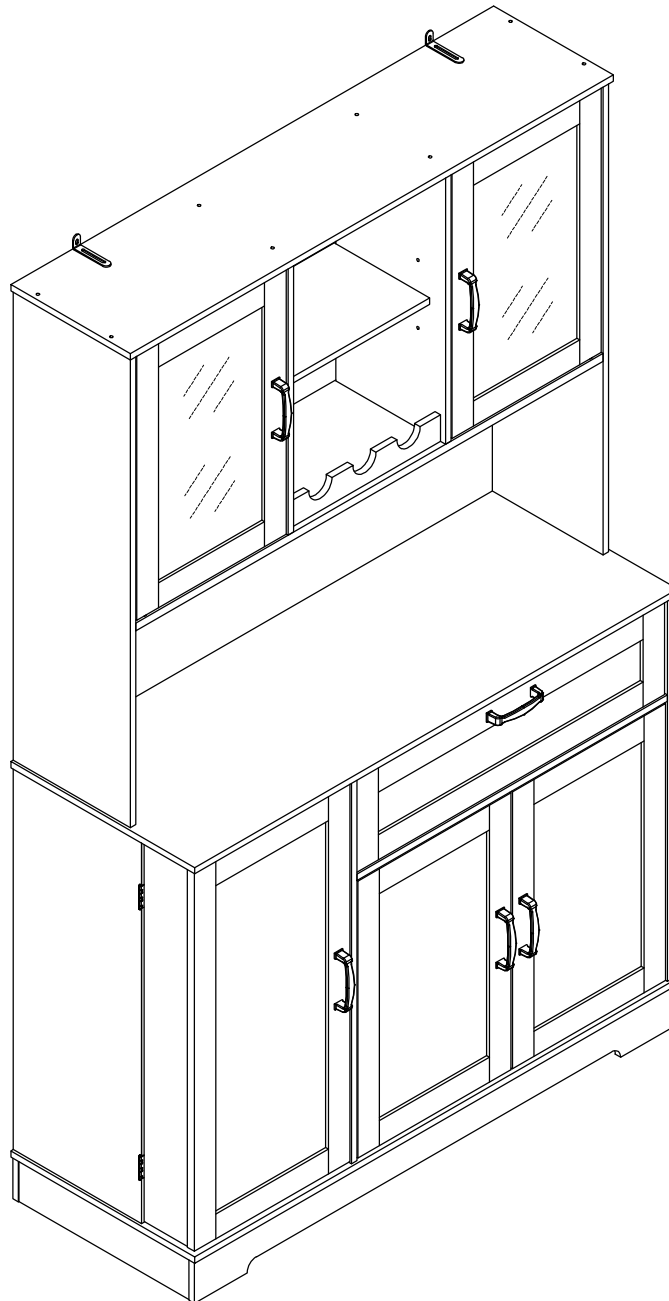


# Instruction Manual

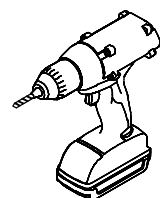
## Pantry Cabinet



Thank you for shopping with us!

If any part is missing, broken upon receipt or you need any help from us.

Power tool is recommended for the assembly.



# Notes:

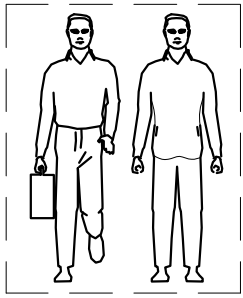
## 1. ASSEMBLY PREPARATION AND TIPS FOR ASSEMBLY

- 1). Remove all packaging materials, staples and packing straps from the carton.
- 2). Refer to Parts List and Hardware List, and ensure parts and hardware are correct before assembly.  
Contact customer service for missing parts.
- 3). Place all wooden parts on a clean, flat and soft surface (e.g. carpet or rug) to prevent scratch and damage to parts.
- 4). Allow ample room for assembly and assemble the product near where the product will be placed.
- 5). During assembly, do not over-tighten any fittings as this may cause damage.
- 6). Always place the product on a flat, level surface.

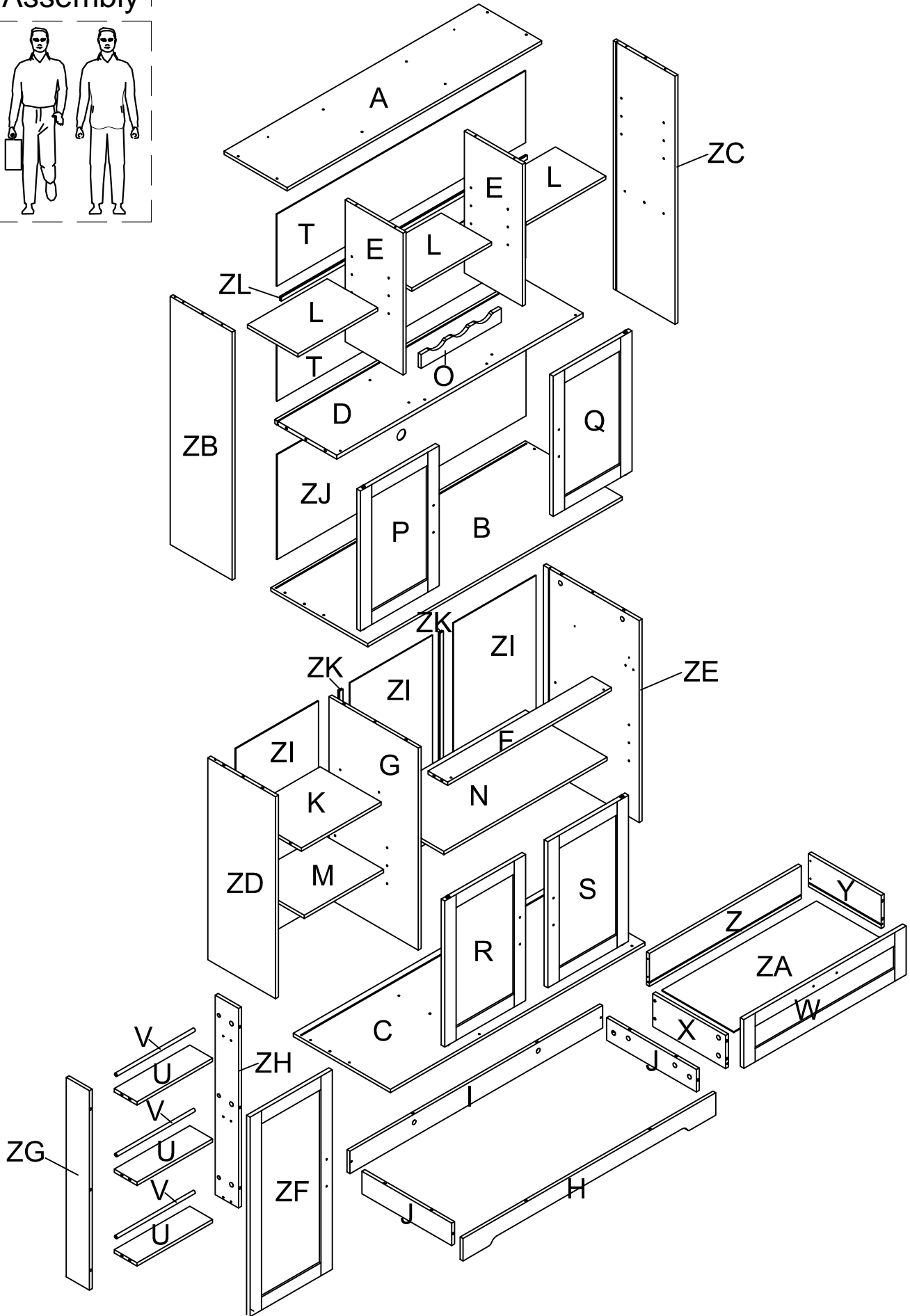
## 2. CARE AND MAINTENANCE

- 1). KEEP ALL HARDWARE PARTS OUT OF REACH OF CHILDREN.
- 2). Wipe clean with a soft, dry cloth; avoid the use of harsh chemicals or household cleaners as they may damage the exterior finish of the furniture.
- 3). Hardware may loosen over time. Periodically, check that all connections are tight; re-tighten as necessary.
- 4). Avoid placing your furniture in direct sunlight, as sunlight causes fading.

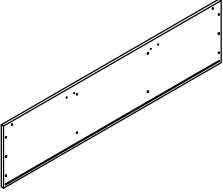
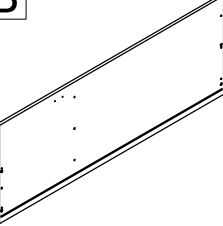
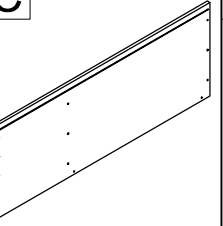
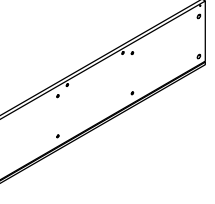
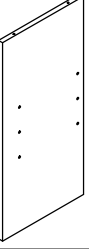
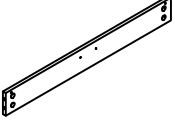

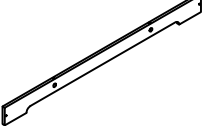
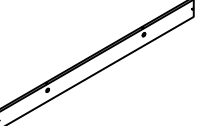
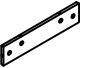
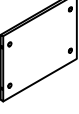
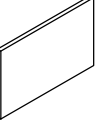
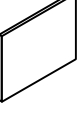
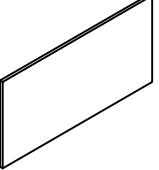
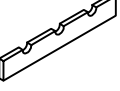
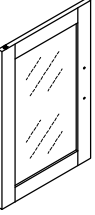
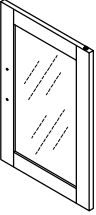
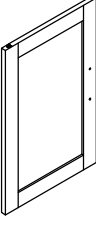
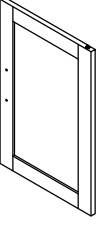
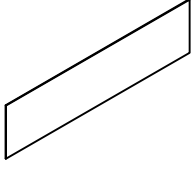
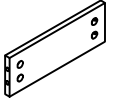
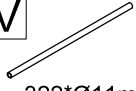
2-Person  
Assembly



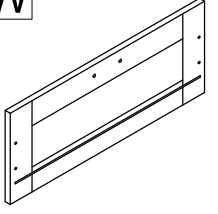
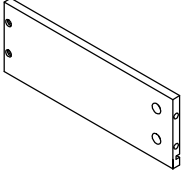
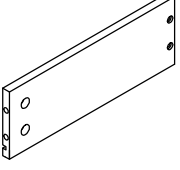
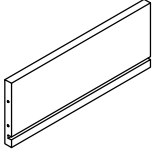
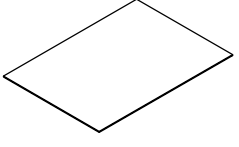
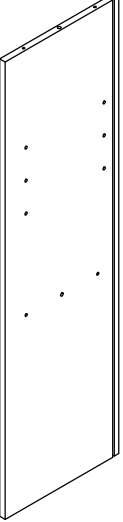
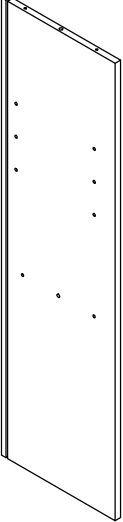
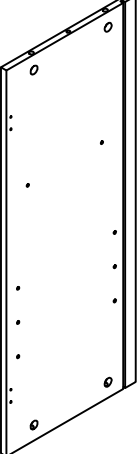
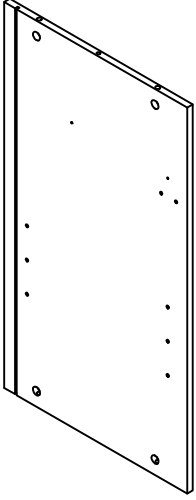
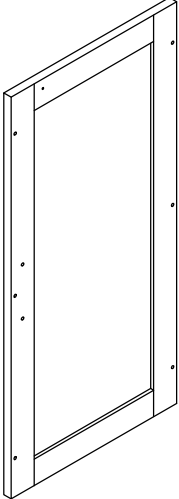


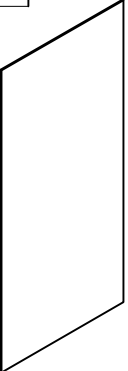
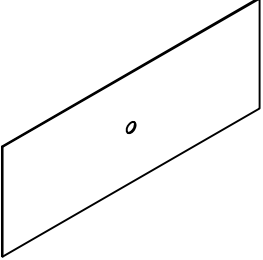
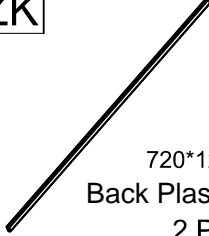
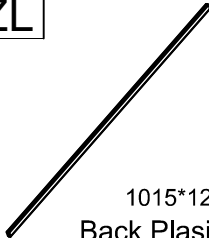
ASSEMBLY OVERVIEW




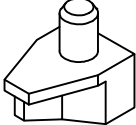



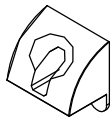
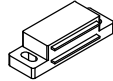
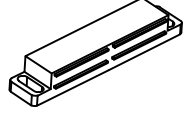

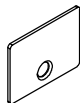

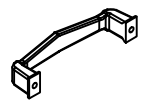


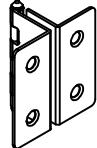
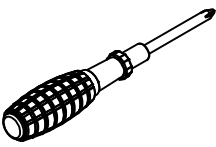
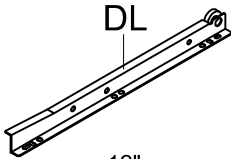
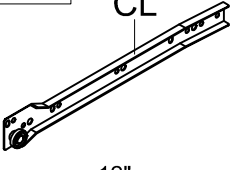
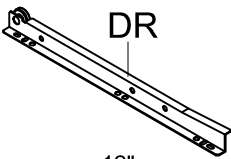
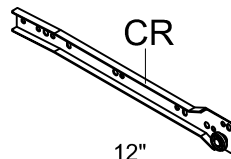
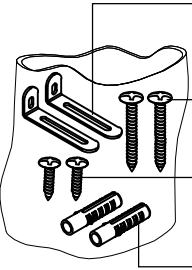
# PART LIST

					
Upper Top Panel 1 PC	Upper Bottom Panel 1 PC	Lower Bottom Panel 1 PC	Upper Fixed Shelf Panel 1 PC	Upper Partition Panel 2 PCS	
					
Lower Front Rail 1 PC	Lower Partition Panel 1 PC	Front Foot Board 1 PC	Rear Foot Board 1 PC	Side Foot Board 2 PCS	
					
Lower Fixed Shelf Panel 1 PC	Upper Adjustable Shelf 3 PCS	Lower Left Adjustable Shelf 1 PC	Lower Right Adjustable Shelf 1 PC	Upper Front Rail 1 PC	
					
Upper Left Door 1 PC	Upper Right Door 1 PC	Lower Left Door 1 PC	Lower Right Door 1 PC	Upper Back Panel (1) 2 PCS	Front Fixed Shelf Panel 3 PCS
					
					322*Ø11mm Plastic Pipe 3 PCS

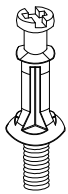
# PART LIST

				
<p>Drawer Front Panel 1 PC</p>	<p>Drawer Left Panel 1 PC</p>	<p>Drawer Right Panel 1 PC</p>	<p>Drawer Back Panel 1 PC</p>	<p>Drawer Bottom Panel 1 PC</p>
				
<p>Upper Left Panel 1 PC</p>	<p>Upper Right Panel 1 PC</p>	<p>Lower Left Panel 1 PC</p>	<p>Lower Right Panel 1 PC</p>	<p>Large Left Door 1 PC</p>
				 <p>720*12*6mm Back Plastic Strip(1) 2 PCS</p>
<p>Left Front Vertical Panel-L 1 PC</p>	<p>Left Front Vertical Panel-R 1 PC</p>	<p>Lower Back Panel 3 PCS</p>	<p>Upper Back Panel (2) 1 PC</p>	 <p>1015*12*6mm Back Plastic Strip(2) 1 PC</p>

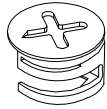
# HARDWARE LIST

<p><b>#1</b></p>  <p>Ø5*40mm Screw</p>	<p><b>#2</b></p>  <p>16*11*Ø5mm Shelf Holder</p>	<p><b>#3</b></p>  <p>Ø6*30mm Wood Dowel</p>	<p><b>#4</b></p>  <p>Ø6*35mm Cam-bolt</p>	<p><b>#5</b></p>  <p>Ø15*9mm Cam-lock</p>
18PCS (Extra 3)	20 PCS (Extra 3)	18PCS (Extra 2)	58PCS (Extra 5)	58PCS(Extra 5)
<p><b>#6</b></p>  <p>14*14mm Back Bracket</p>	<p><b>#7</b></p>  <p>45*17*12mm Single Door Magnet</p>	<p><b>#8</b></p>  <p>70*17*13mm Double Door Magnet</p>	<p><b>#9</b></p>  <p>Ø3.5*15mm Screw</p>	<p><b>#10</b></p>  <p>30*22*1mm Door Small Plate</p>
20 PCS (Extra 2)	3 PCS	1 PC	28 PCS (Extra 4)	5 PCS
<p><b>#11</b></p>  <p>Ø3.5*12mm Screw</p>	<p><b>#12</b></p>  <p>Handle</p>	<p><b>#13</b></p>  <p>M4*18mm Round Head Bolt</p>	<p><b>#14</b></p>  <p>Ø3.5*30mm Screw</p>	<p><b>#15</b></p>  <p>Hinge</p>
23 PCS (Extra 4)	6PCS	12 PCS (Extra 1)	4PCS (Extra 1)	2 PCS
<p><b>#16</b></p>  <p>Phillips Screwdriver</p>	<p><b>#17</b></p>  <p>DL 12" Left Drawer Slide Set (A)</p>	<p><b>#18</b></p>  <p>CL 12" Left Drawer Slide Set (B)</p>	<p><b>#19</b></p>  <p>DR 12" Right Drawer Slide Set (A)</p>	<p><b>#20</b></p>  <p>CR 12" Right Drawer Slide Set (B)</p>
1 PC	1 PC	1 PC	1 PC	1 PC
<p><b>#16</b></p>  <p>Safety Strap Kit</p> <p>1 SET</p> <ul style="list-style-type: none"> <li>— #16-A (72*24*1.5mm)</li> <li>— #16-D (Ø4*40mm)</li> <li>— #16-C (Ø3.5*12mm)</li> <li>— #16-B (Ø8*35mm)</li> </ul>				

# Instructions For Fastening CAM-BOLT and CAM-LOCK

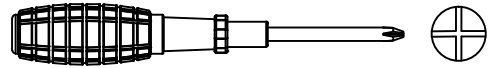


CAM-BOLT

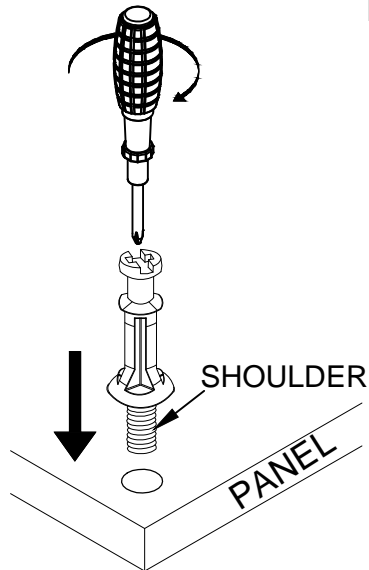


CAM-LOCK

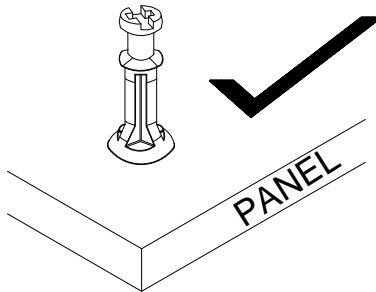
Tools Required



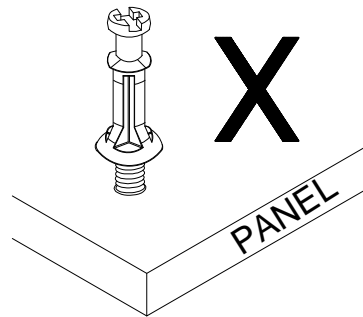
## INSERTING AND TIGHTENING CAM-BOLT



Place Cam-bolt on pre-drilled hole and screw in vertically



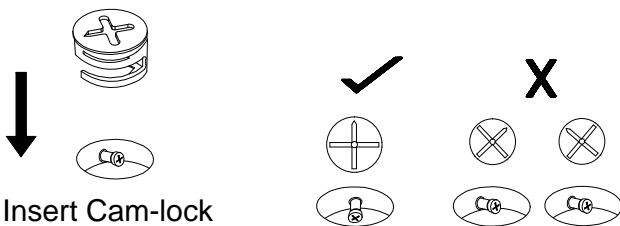
Shoulder is flushed (on the same level) with the panel.



Shoulder is above the panel.

Place Cam-bolt on the designated pre-drilled holes on the panel. Use a Phillips Screwdriver to screw-in Cam-bolt vertically until shoulder is flushed (on the same level) with panel.

## INSERTING CAM-LOCK



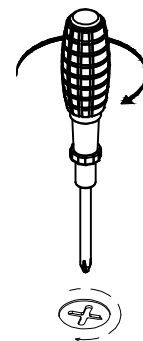
Insert Cam-lock with arrow align to Cam-bolt head

CORRECT

WRONG

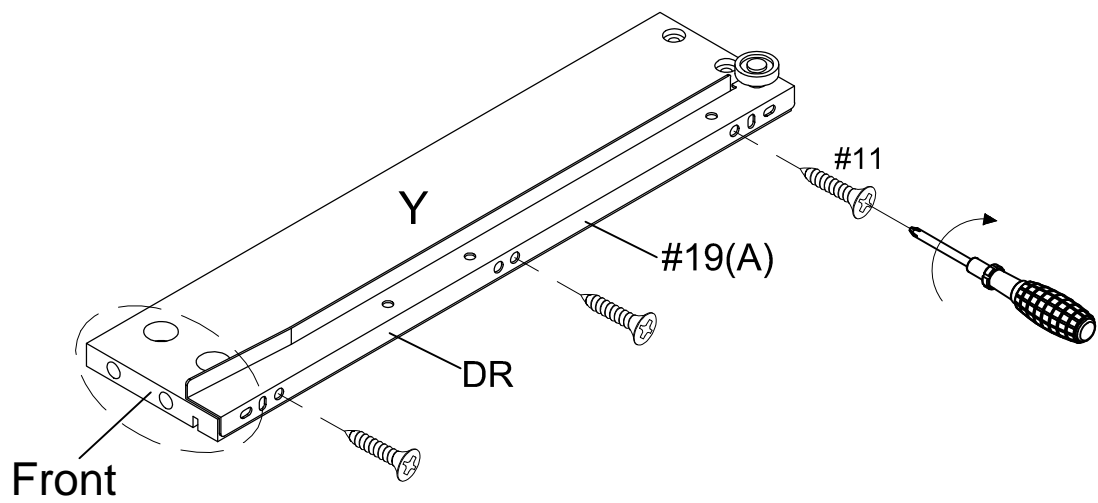
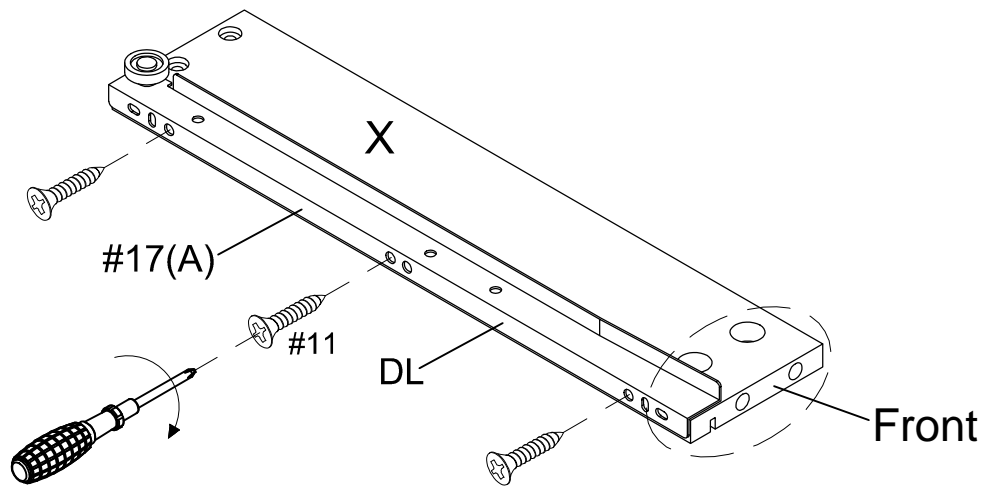
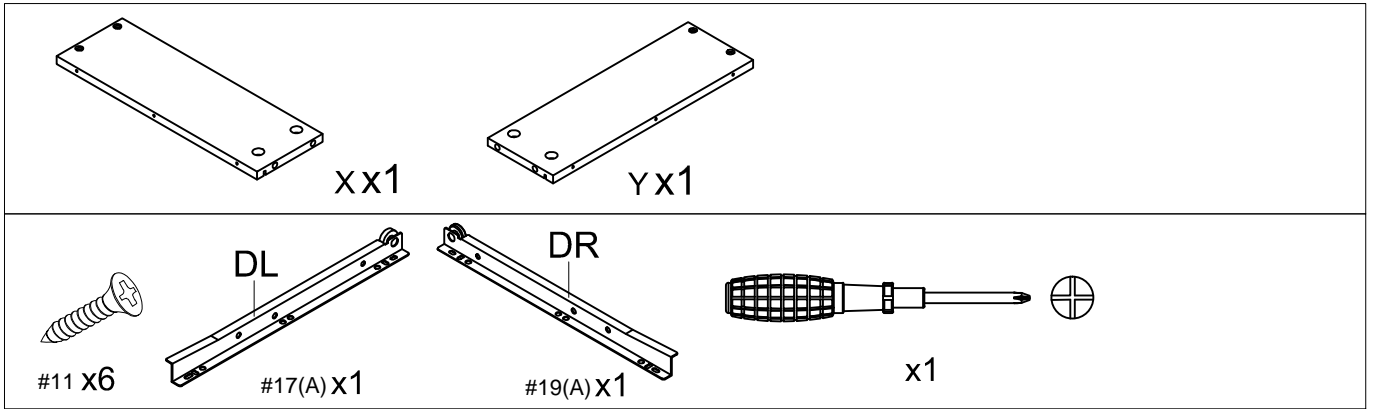
Align the arrow on the Cam-lock to the Cam-bolt head and insert the Cam-lock. Ensure Cam-lock is fully inserted.

## TIGHTENING CAM-LOCK

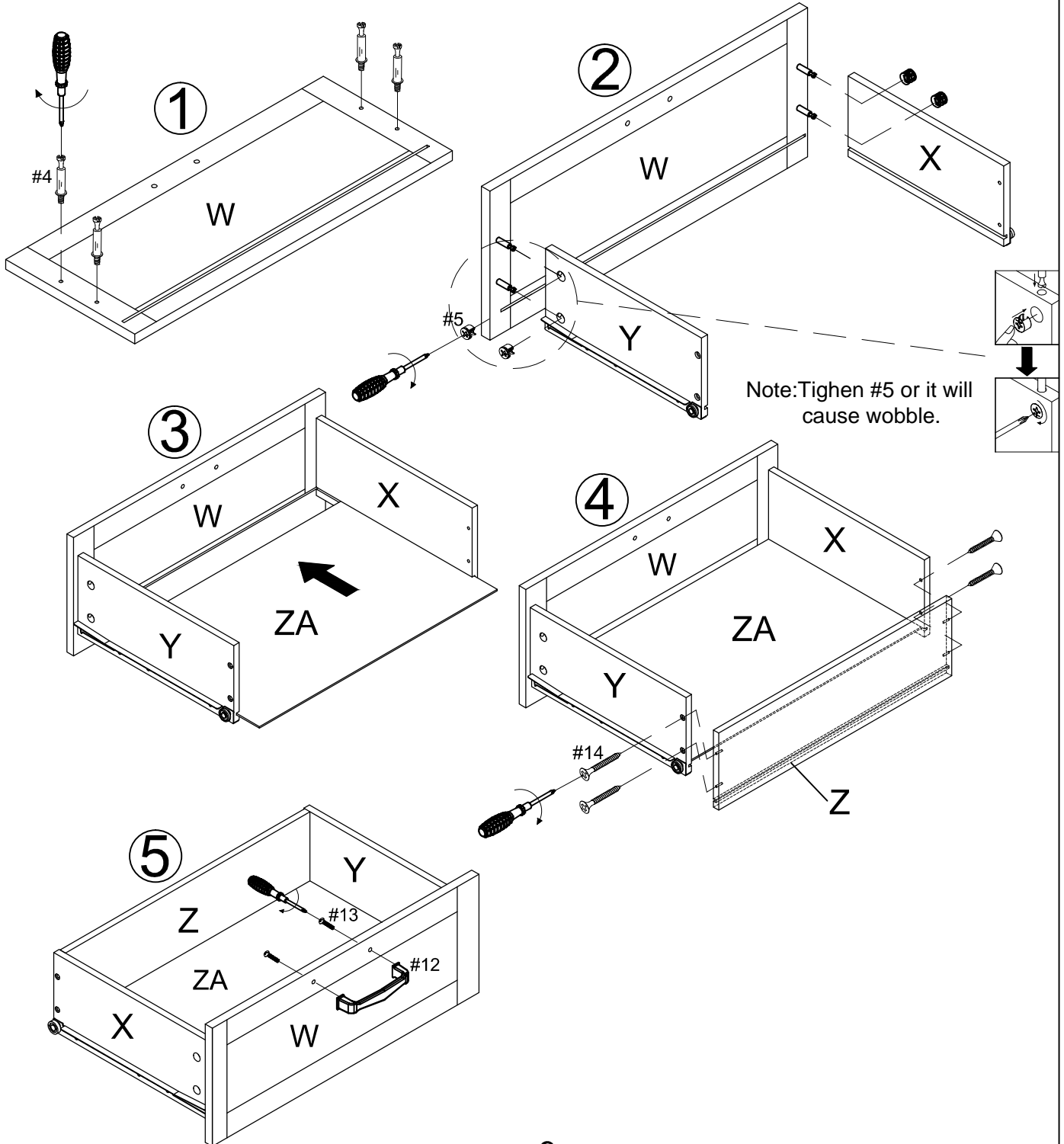
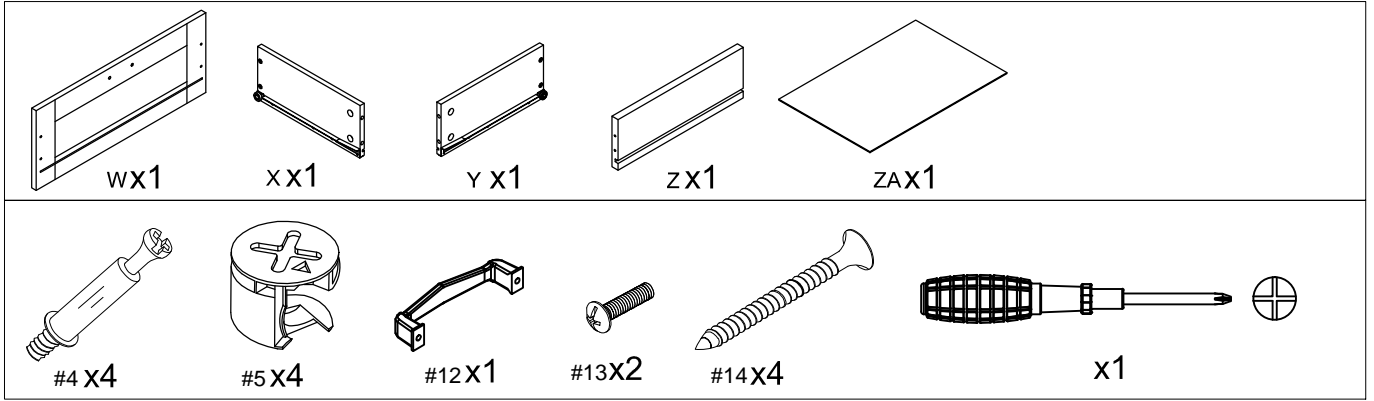


Use a Flat-head Screwdriver to turn Camlock clockwise so it locks onto the head of the Cam-bolt. Turn until it is snug (about 3/4ths of a turn) -- over-tightening could damage Cam-lock or/and Cam-bolt.

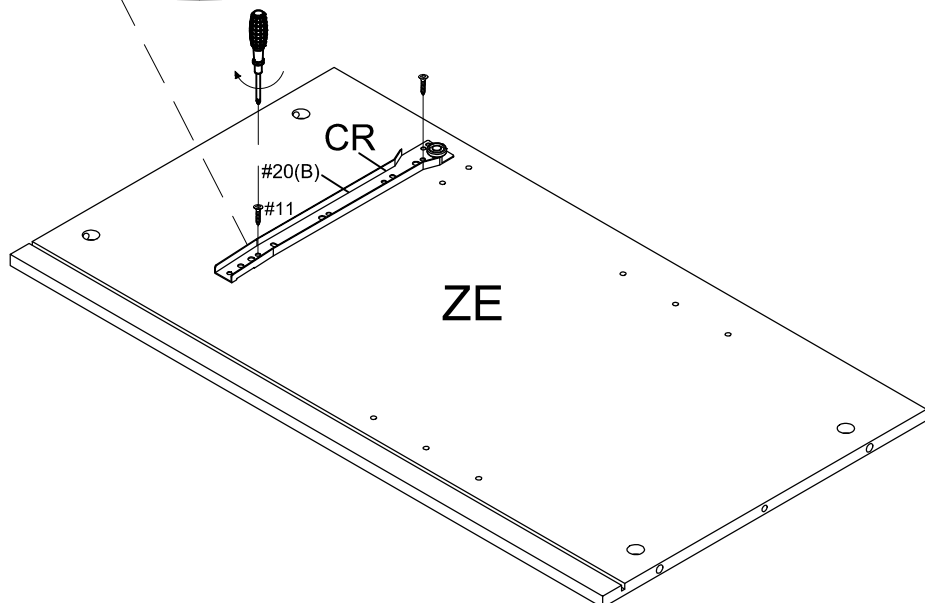
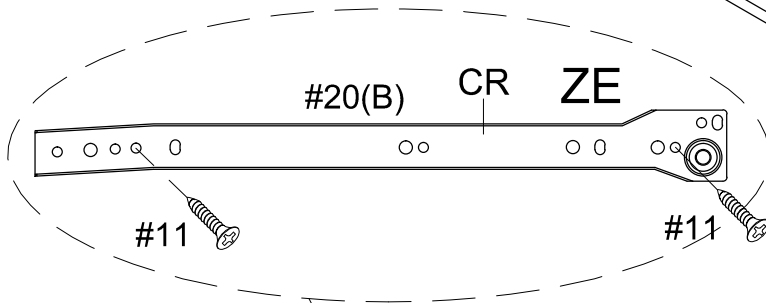
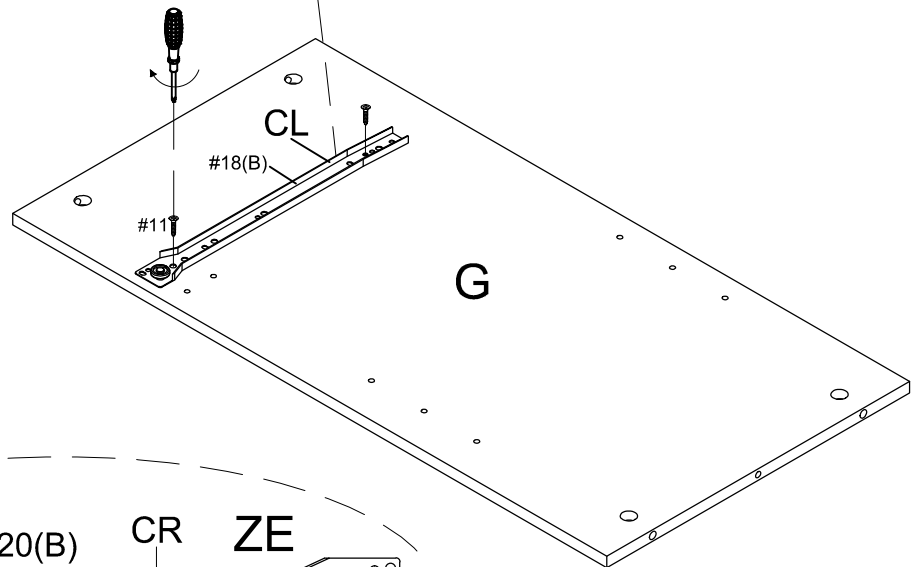
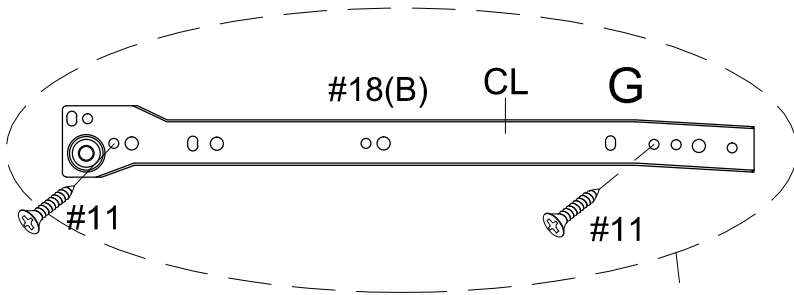
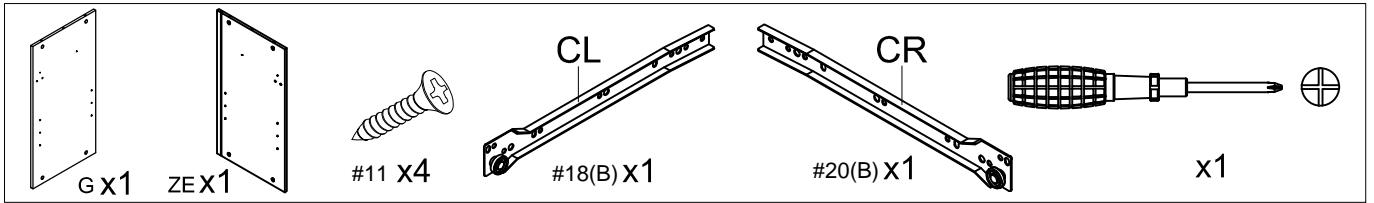
Step 1.



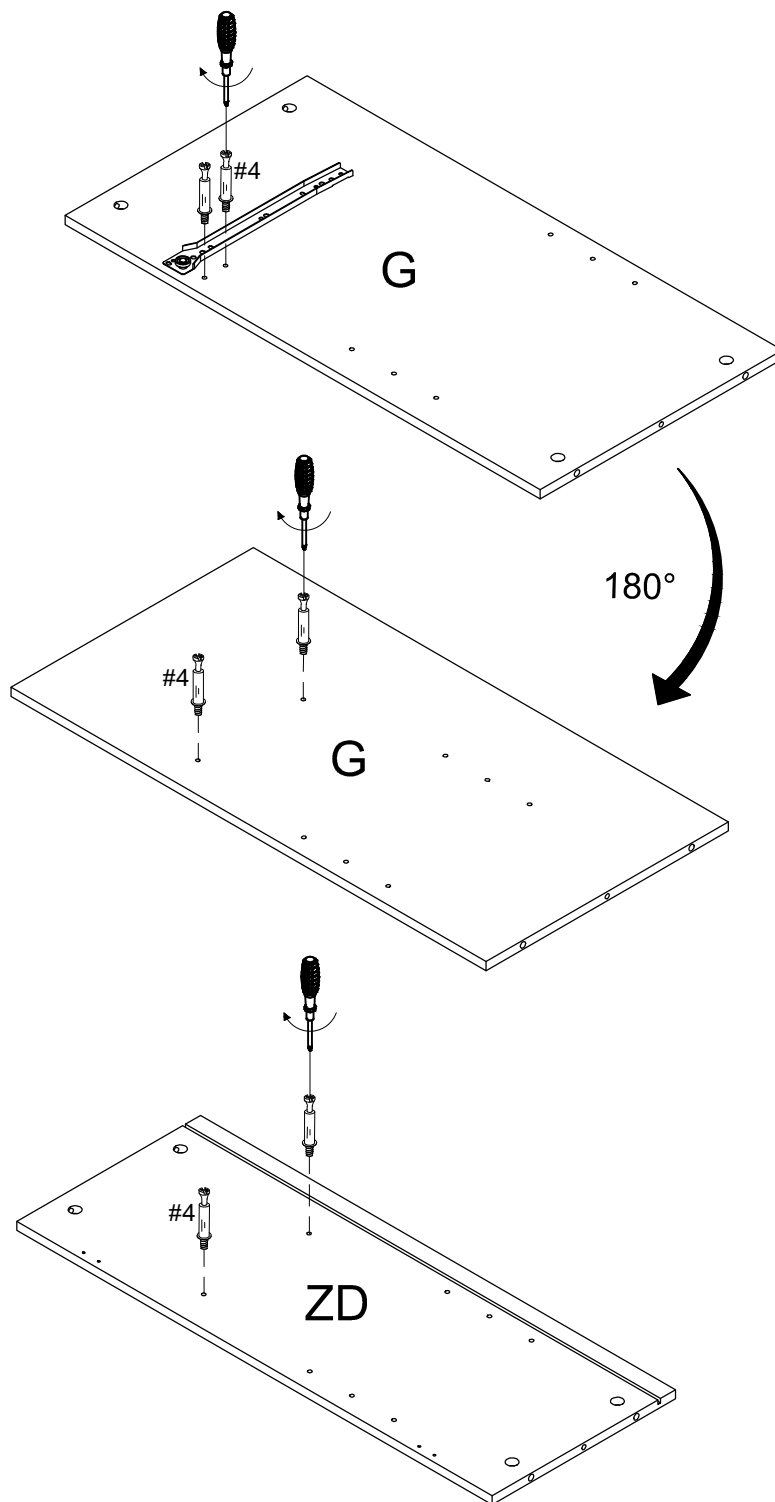
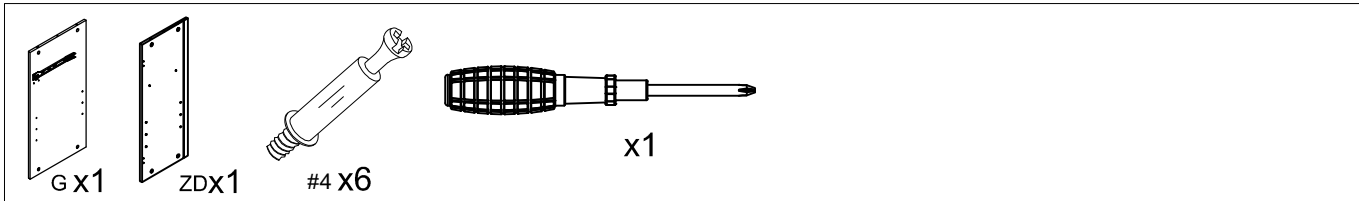
## Step 2.



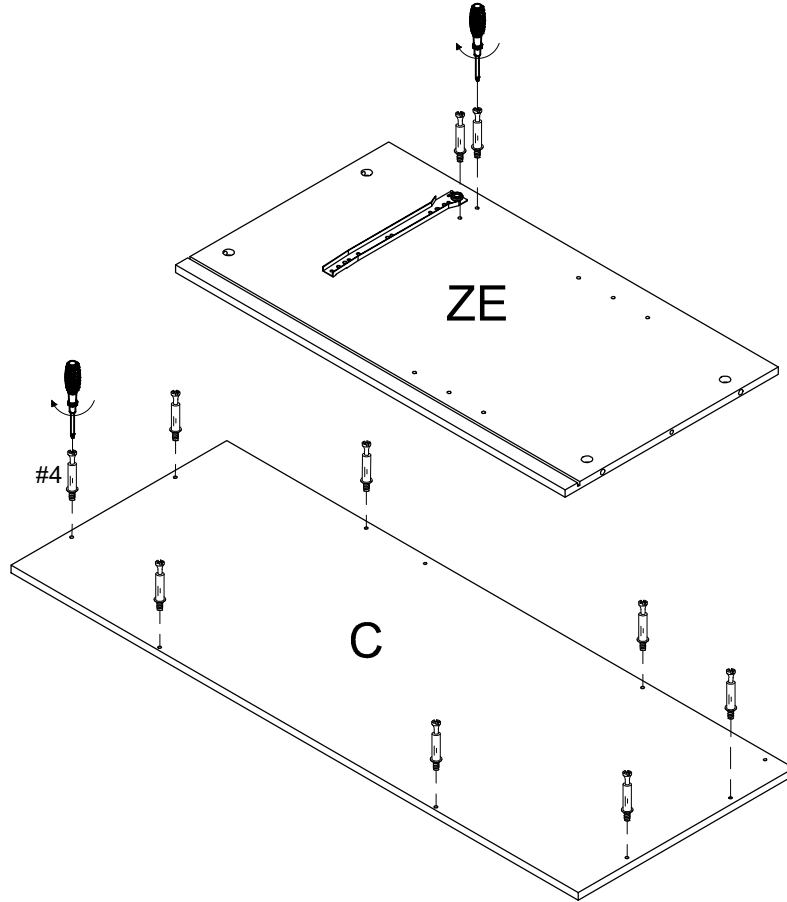
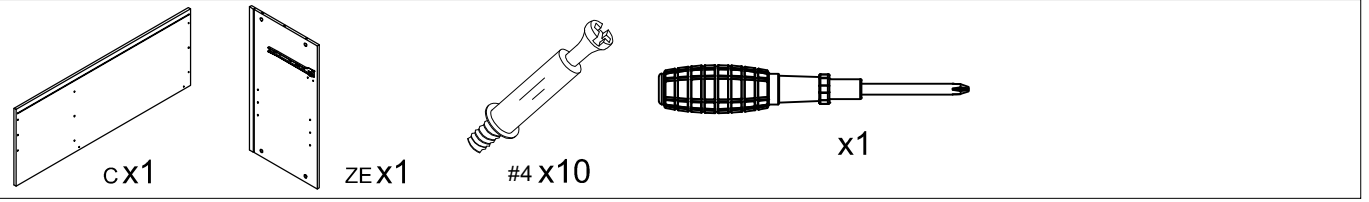
### Step 3.



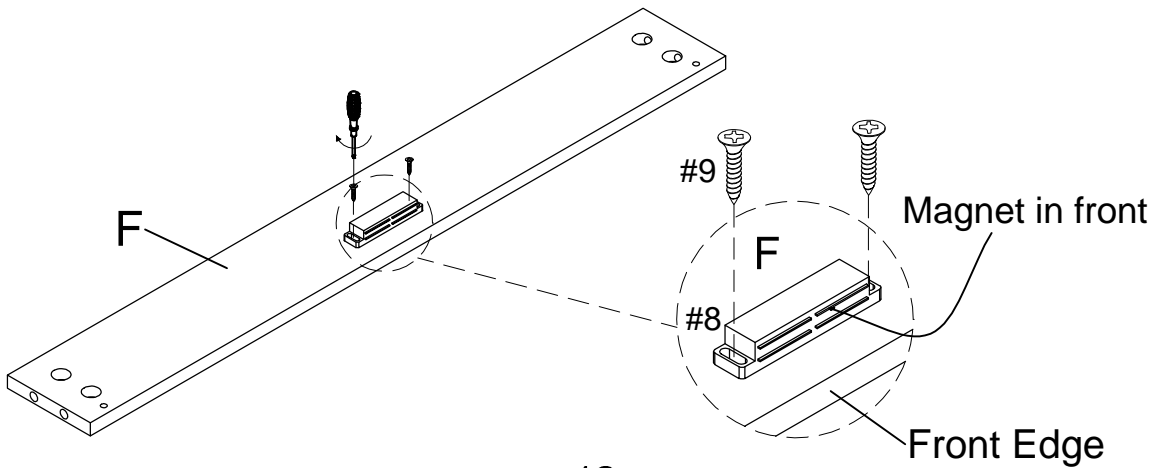
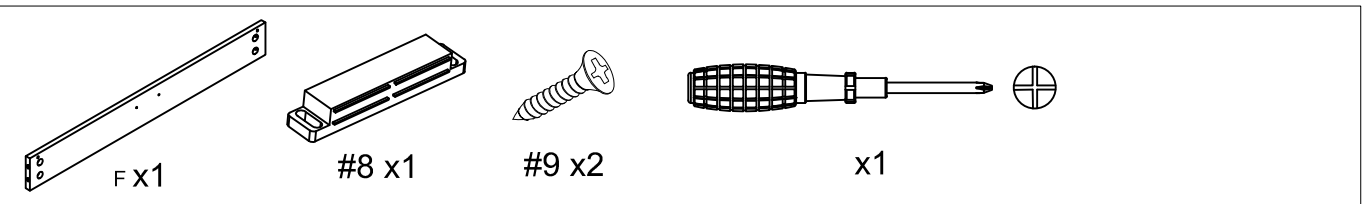
Step 4.



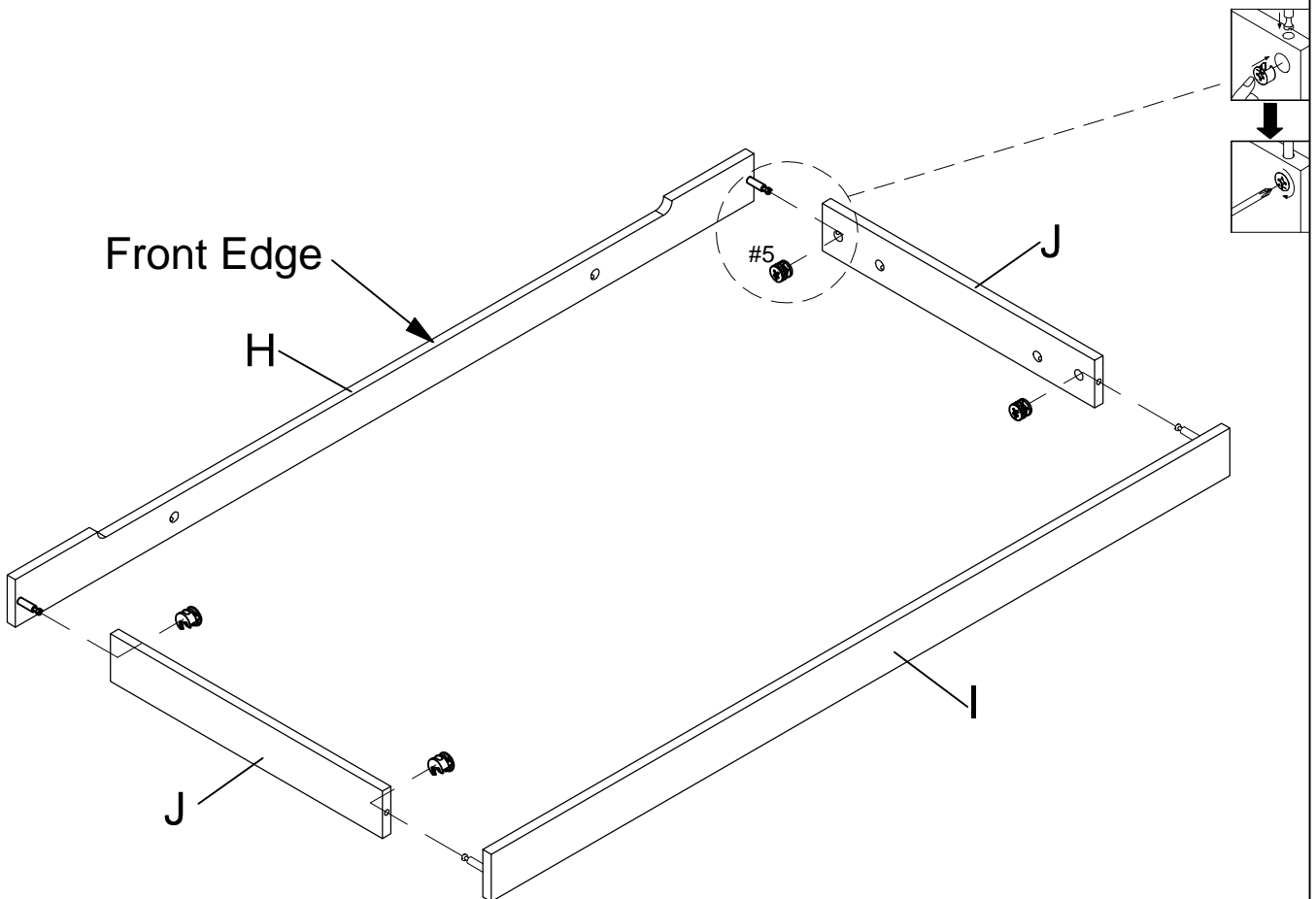
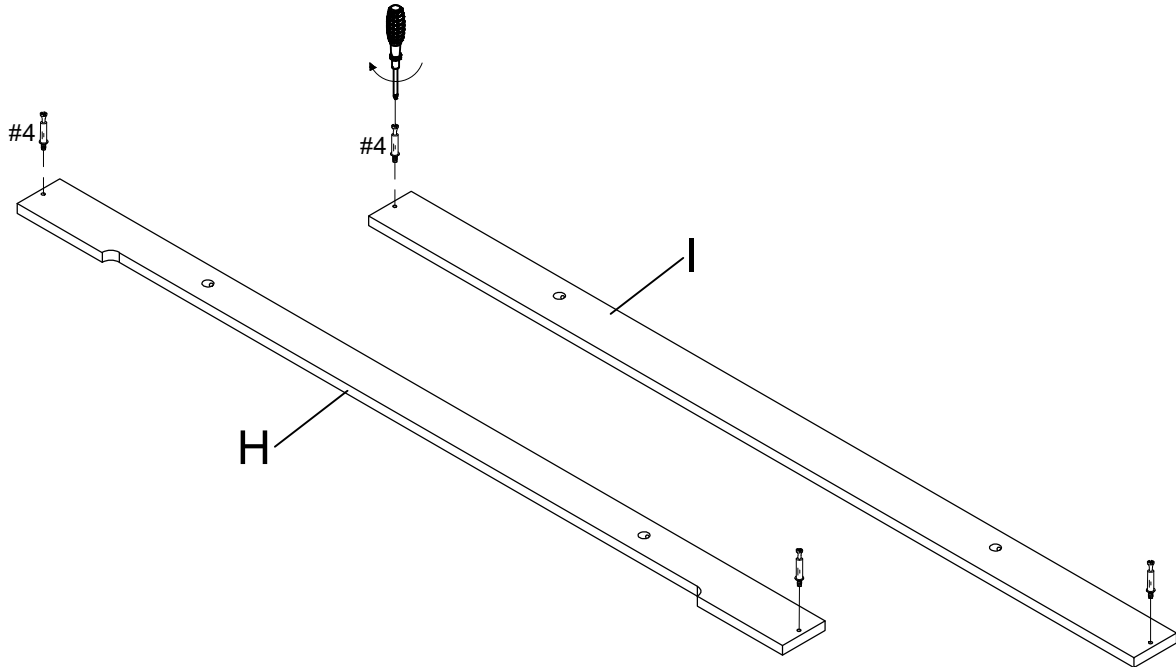
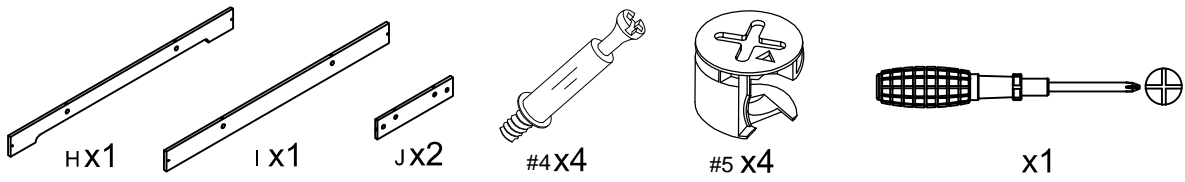
Step 5.



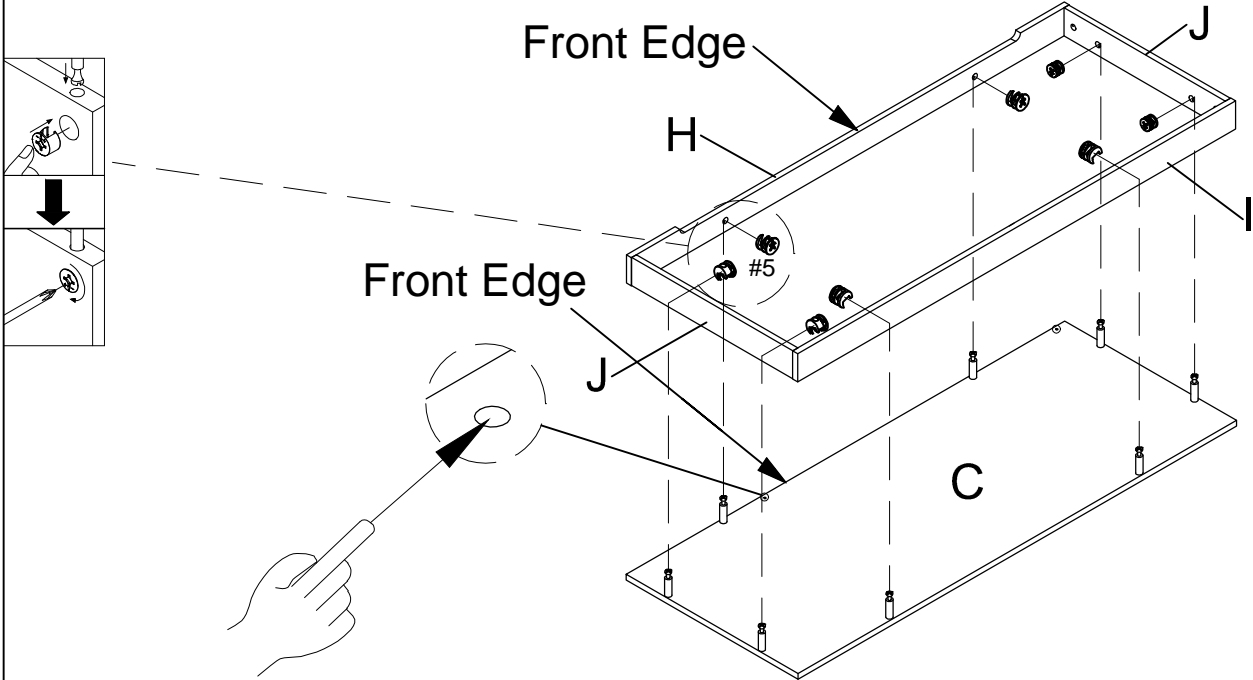
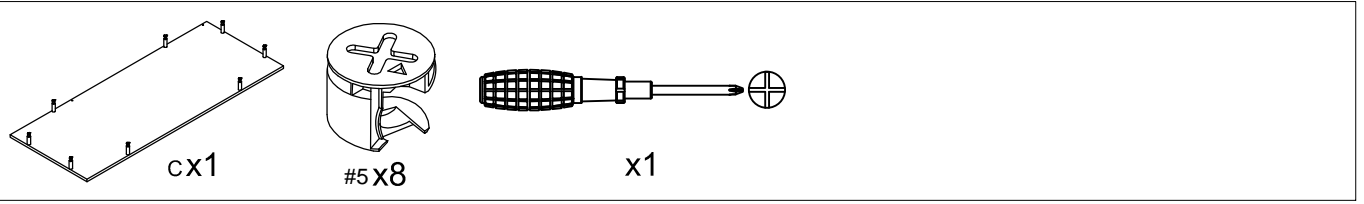
Step 6.



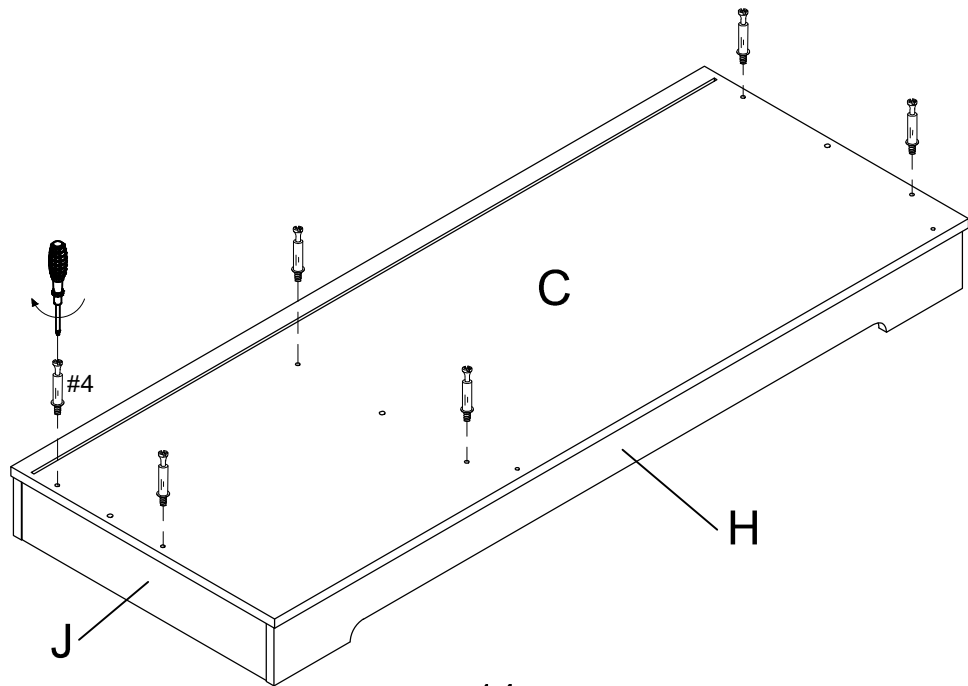
Step 7.



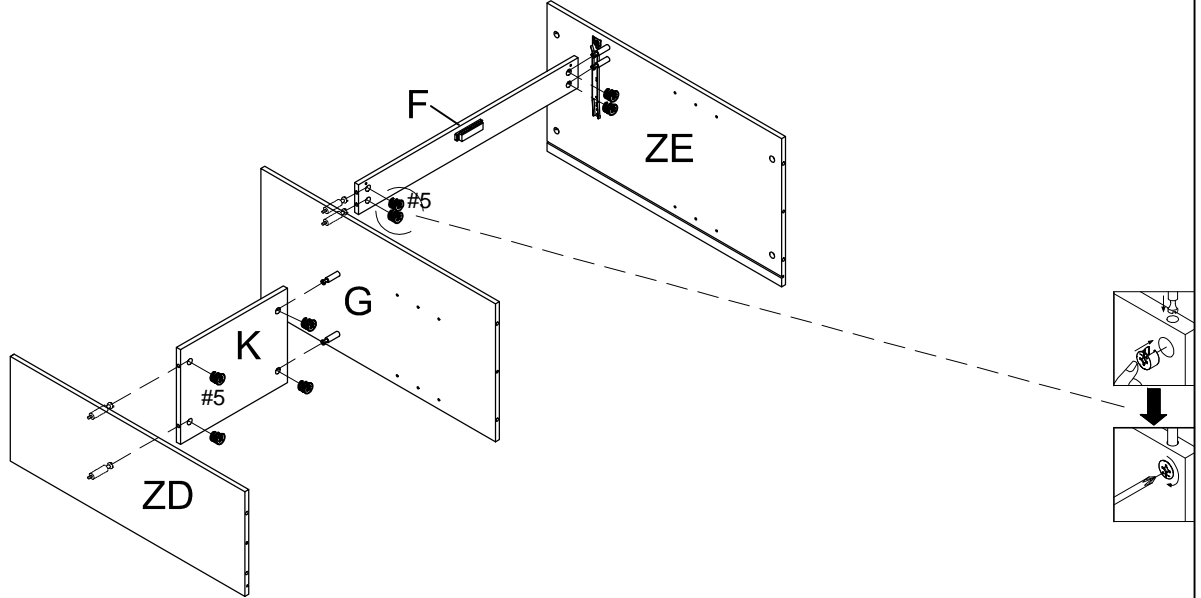
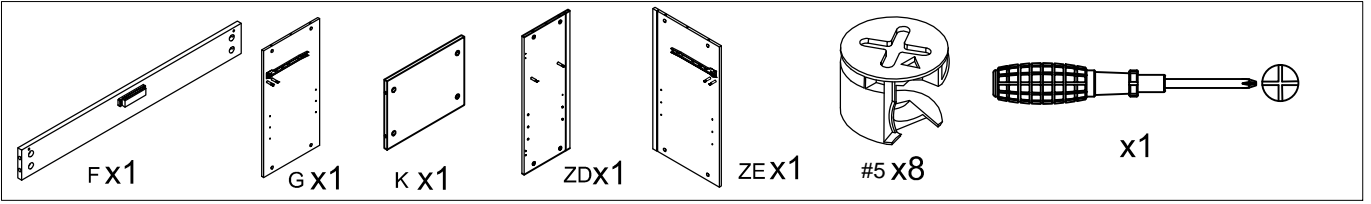
Step 8.



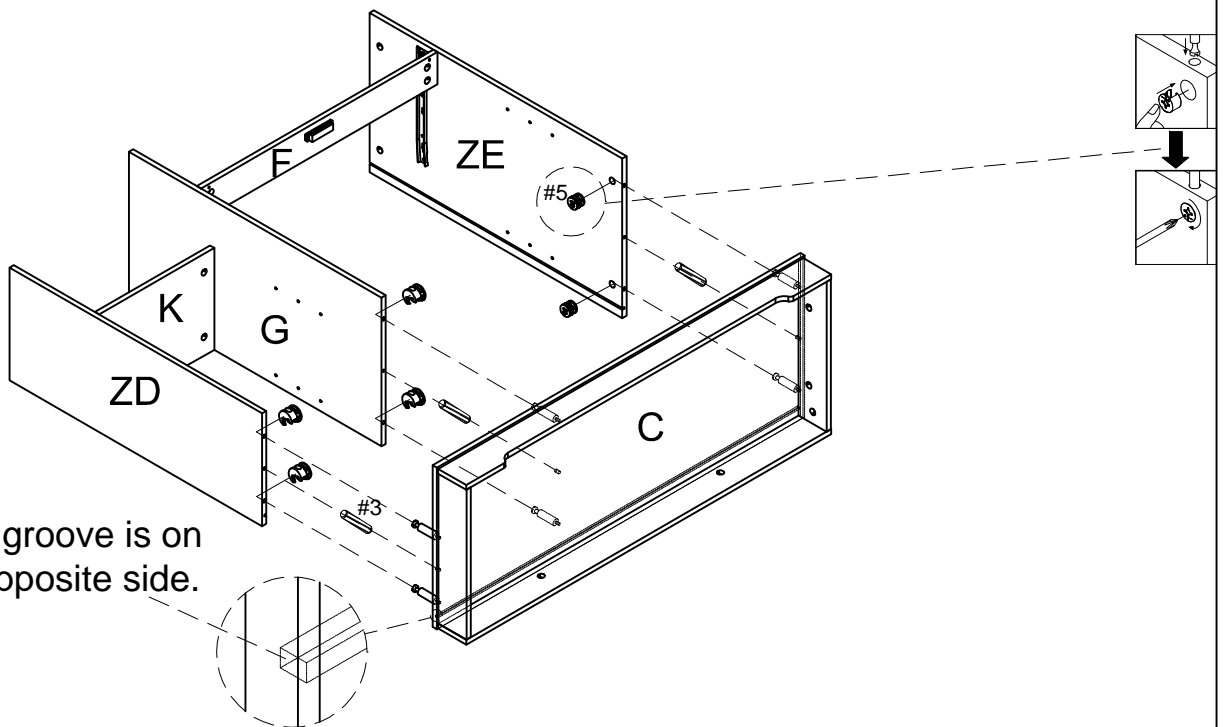
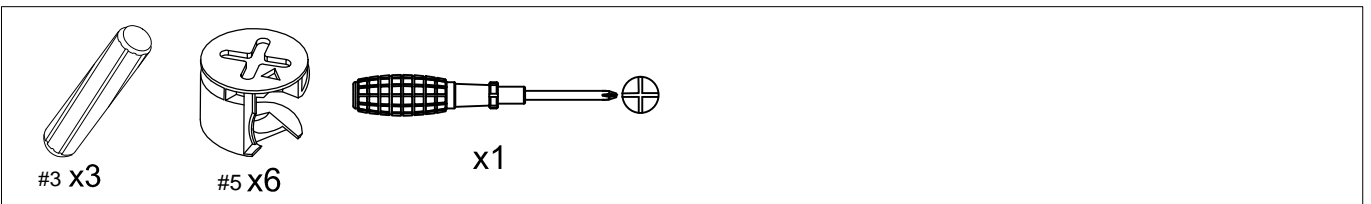
Step 9.



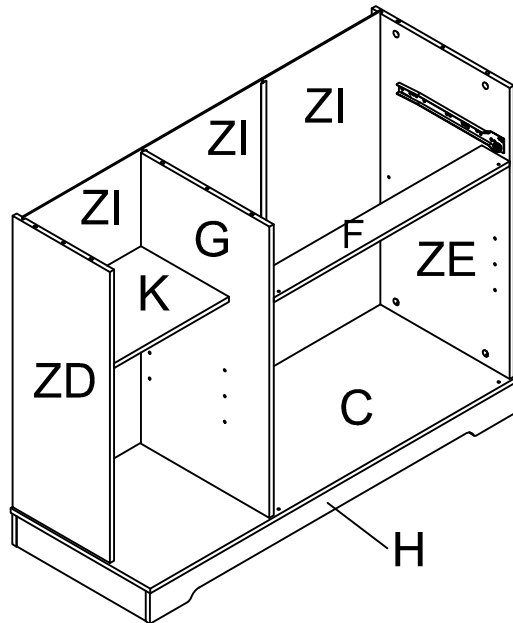
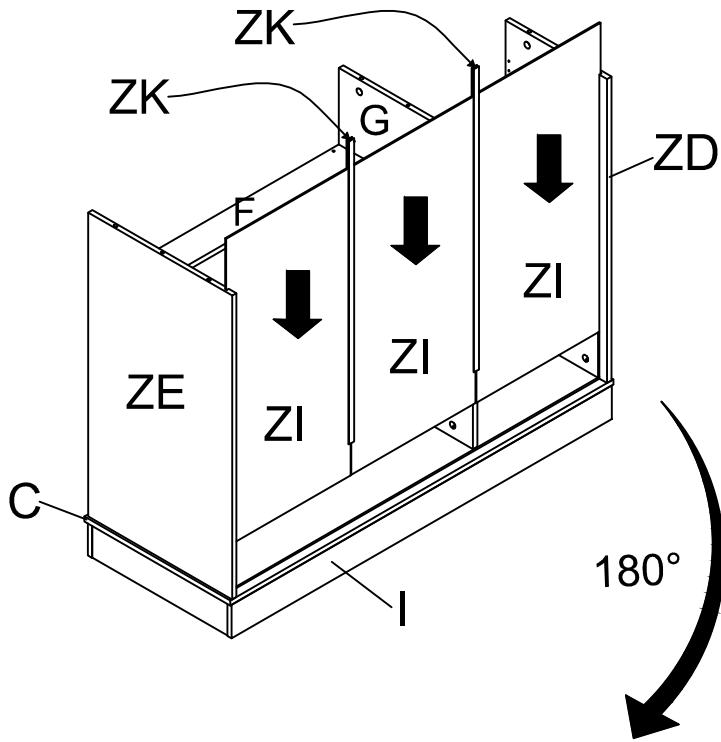
Step 10.



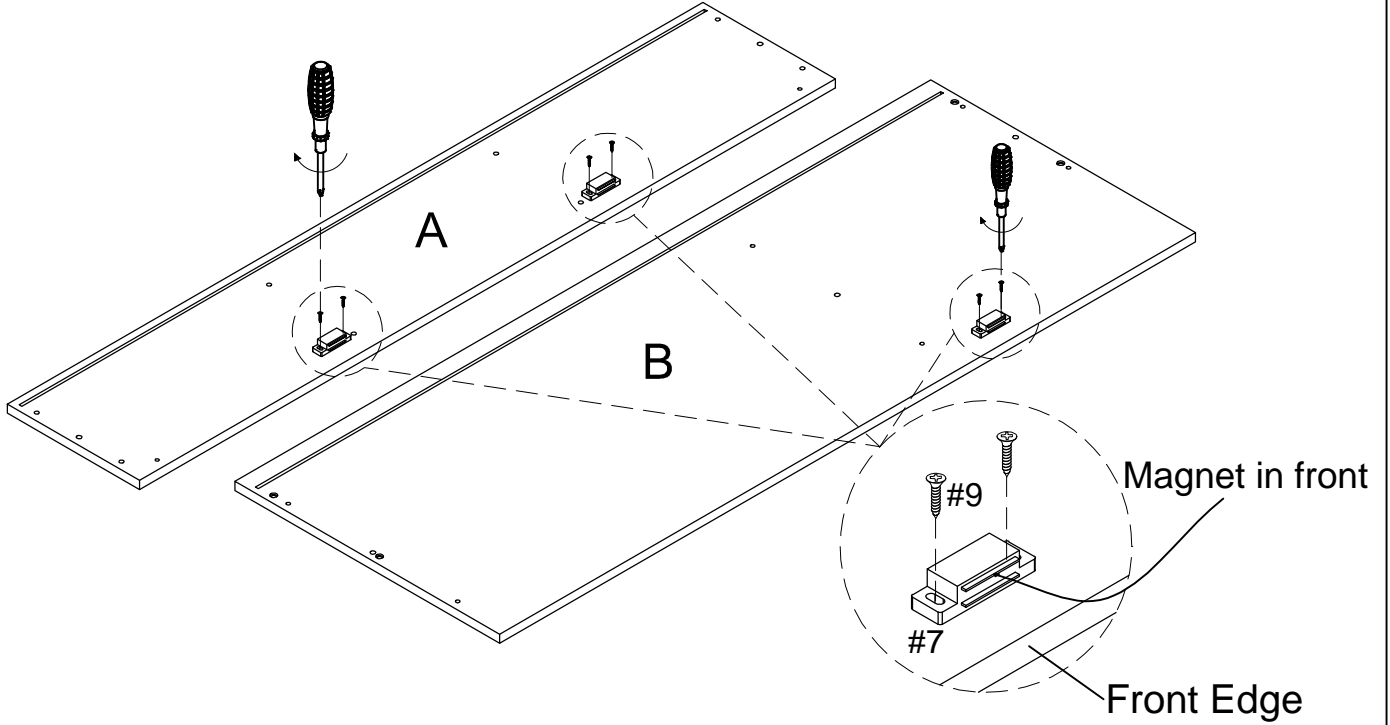
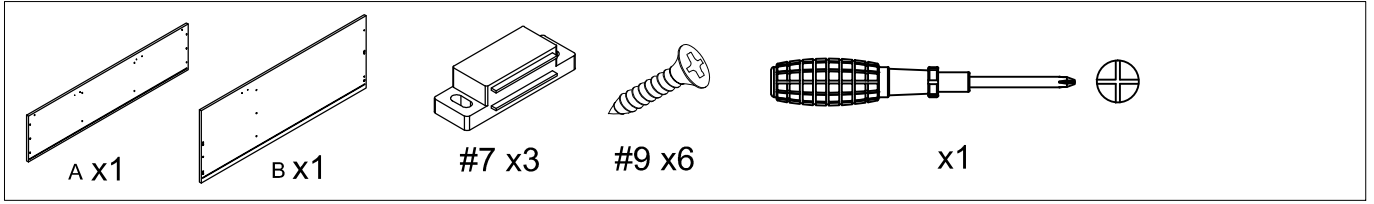
Step 11.



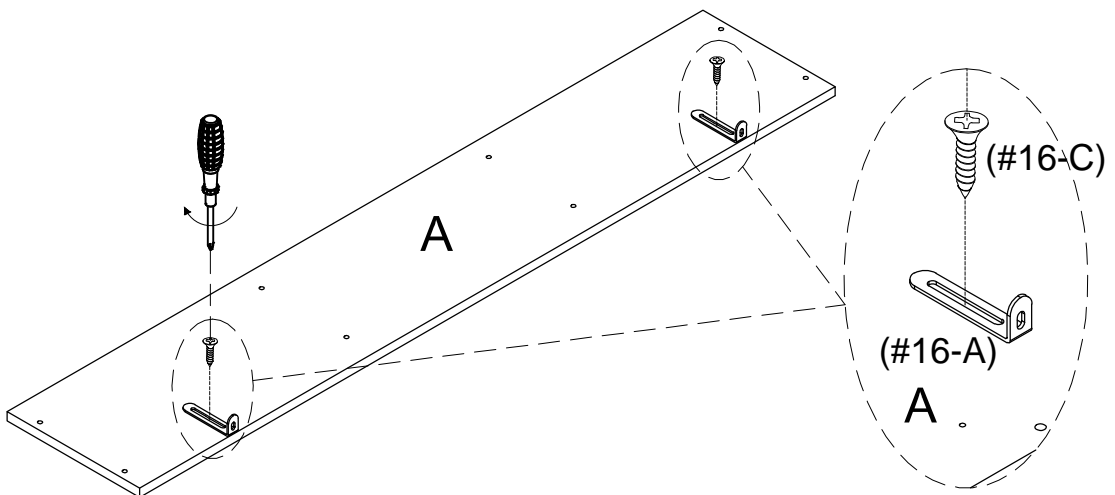
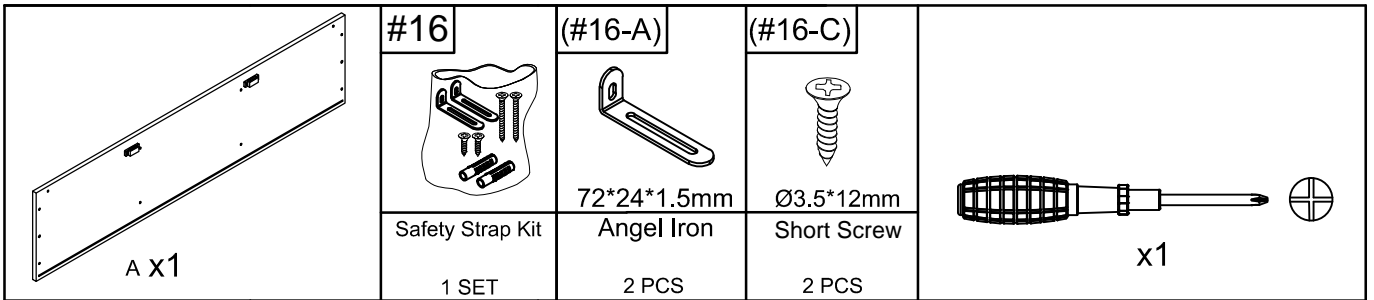
Step 12.



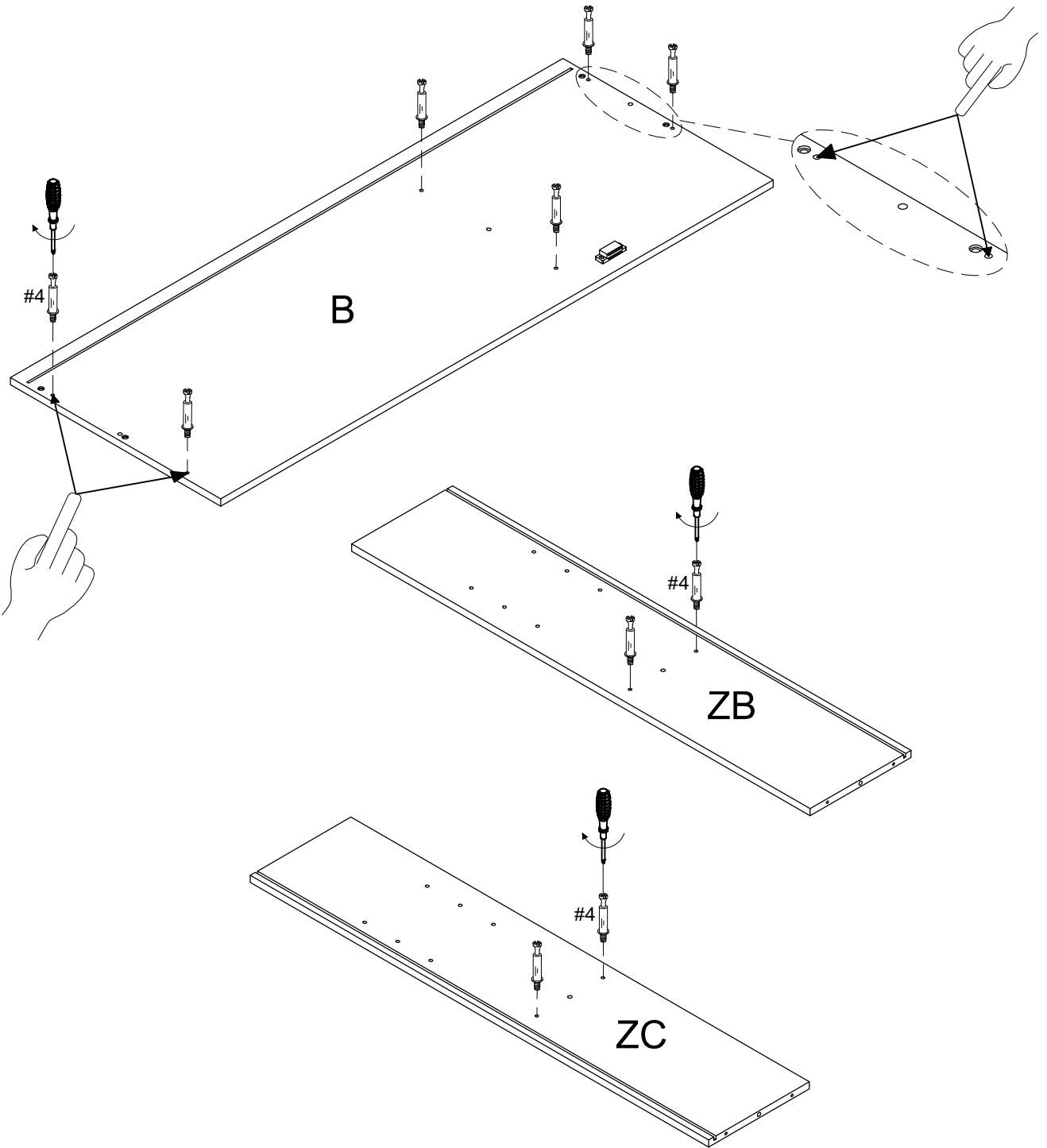
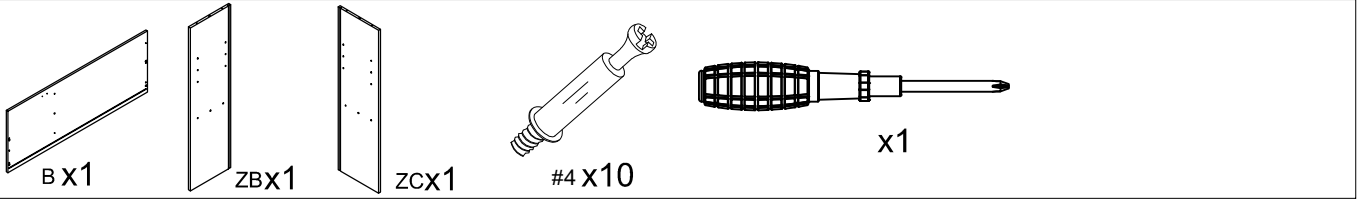
Step 13.



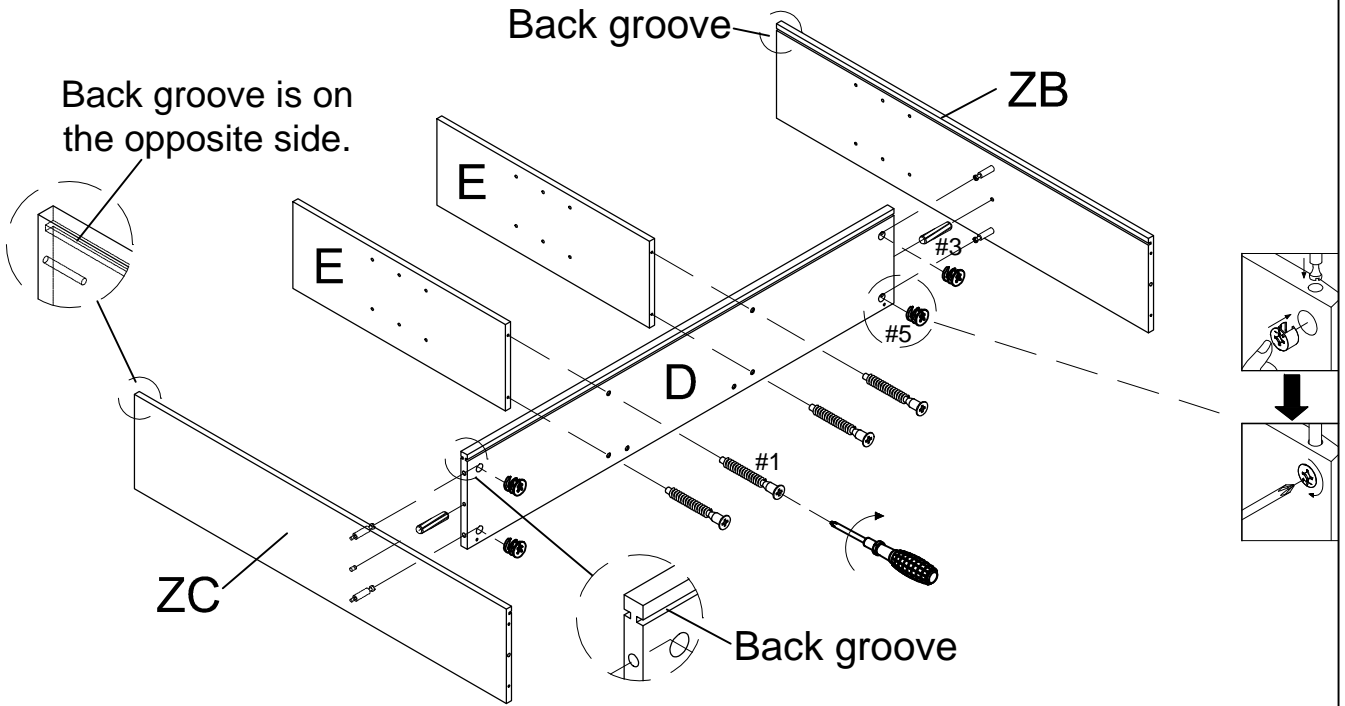
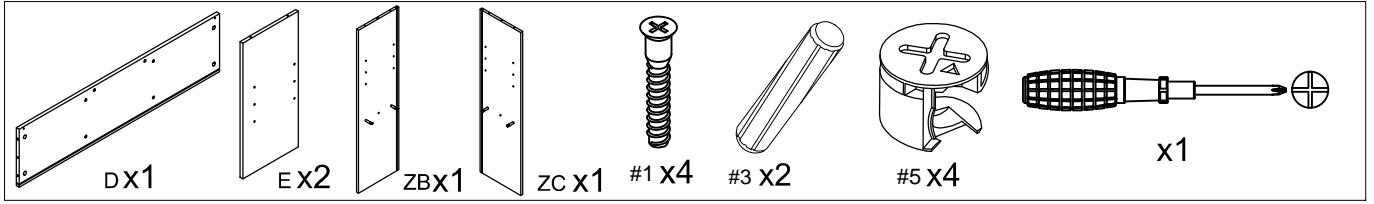
Step 14.



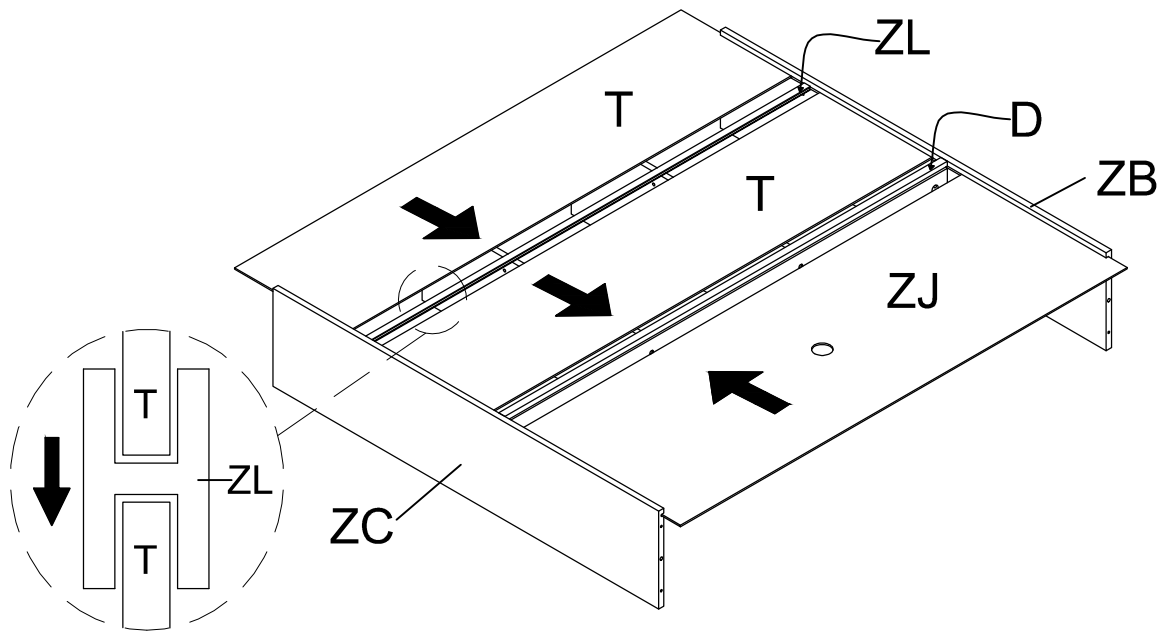
Step 15.



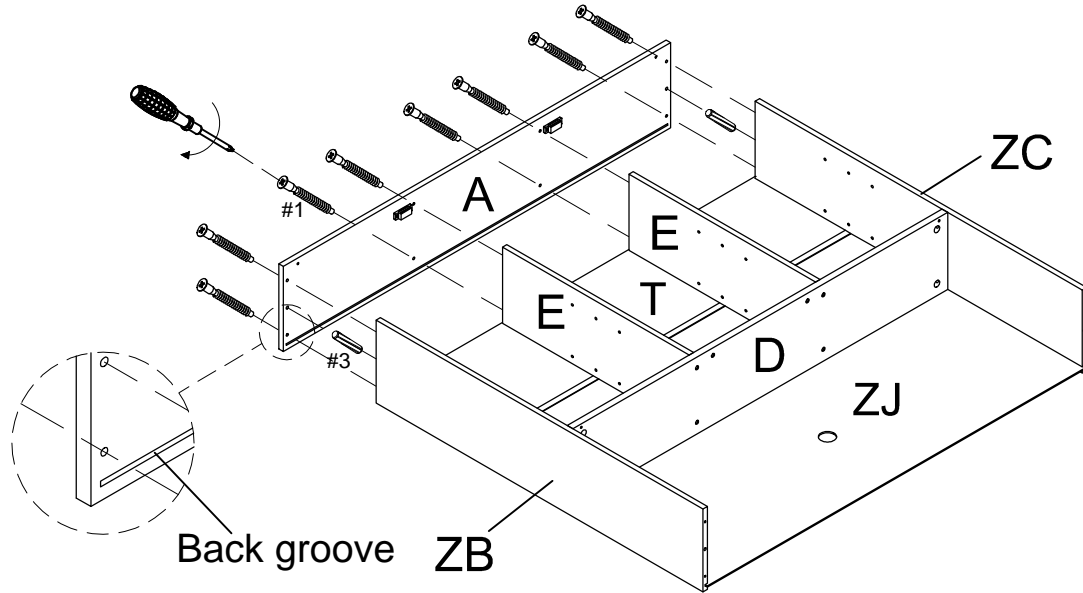
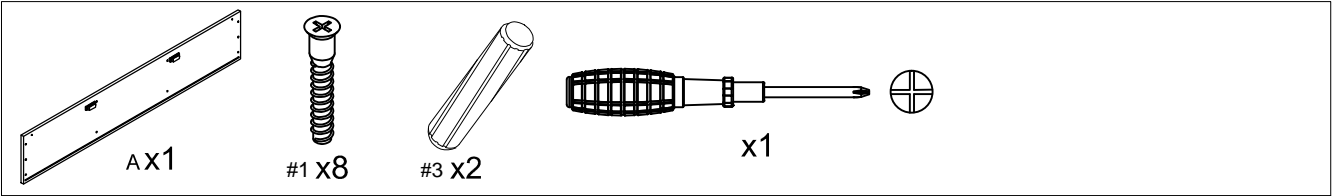
Step 16.



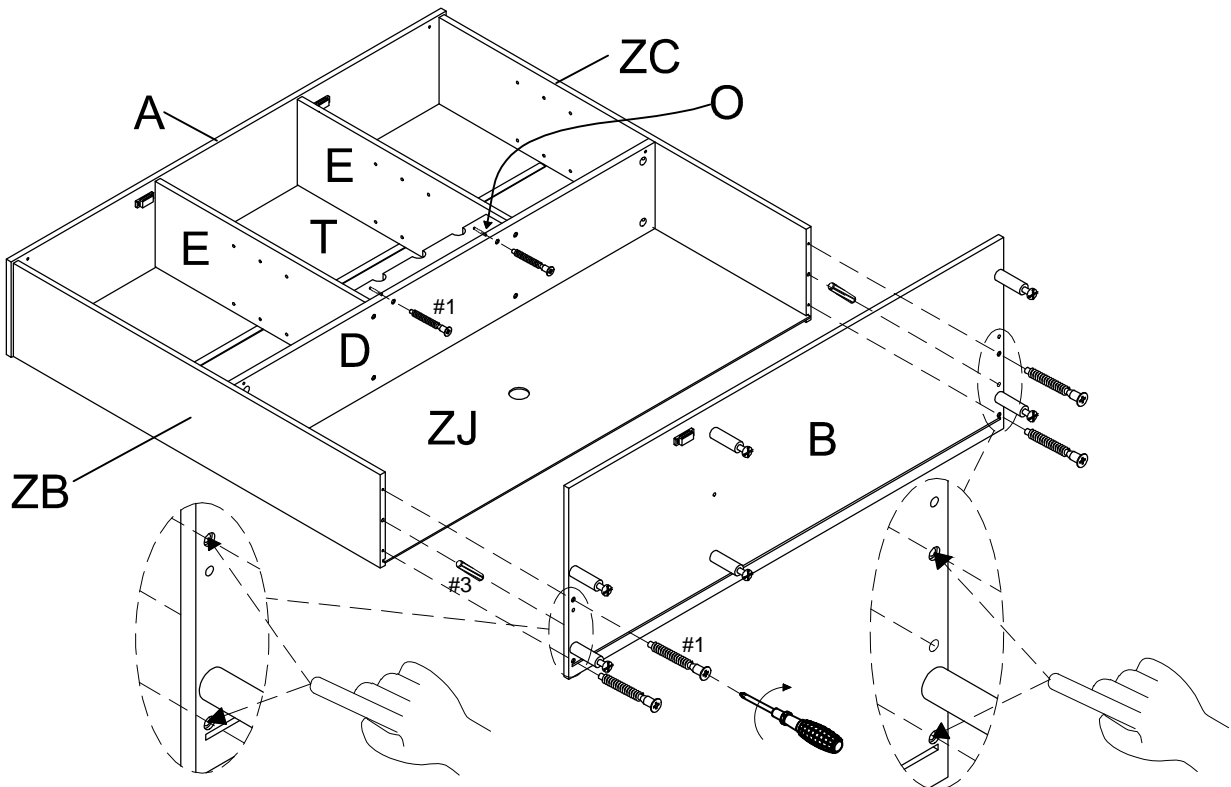
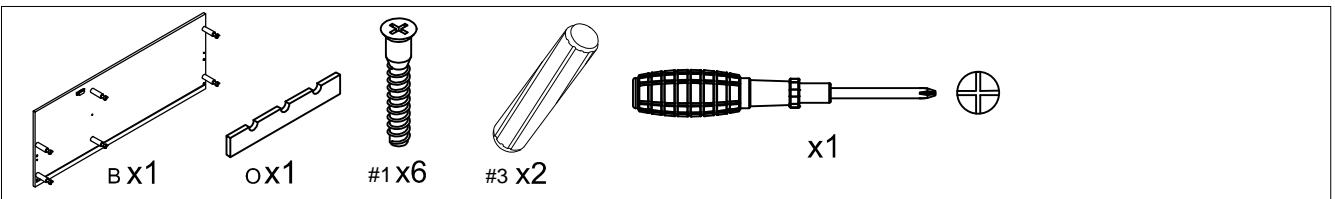
Step 17.



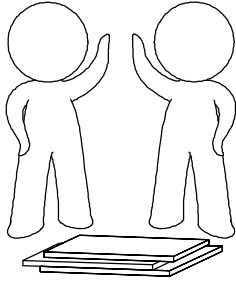
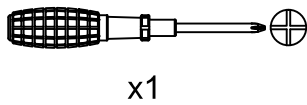
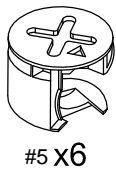
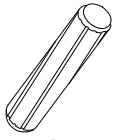
Step 18.



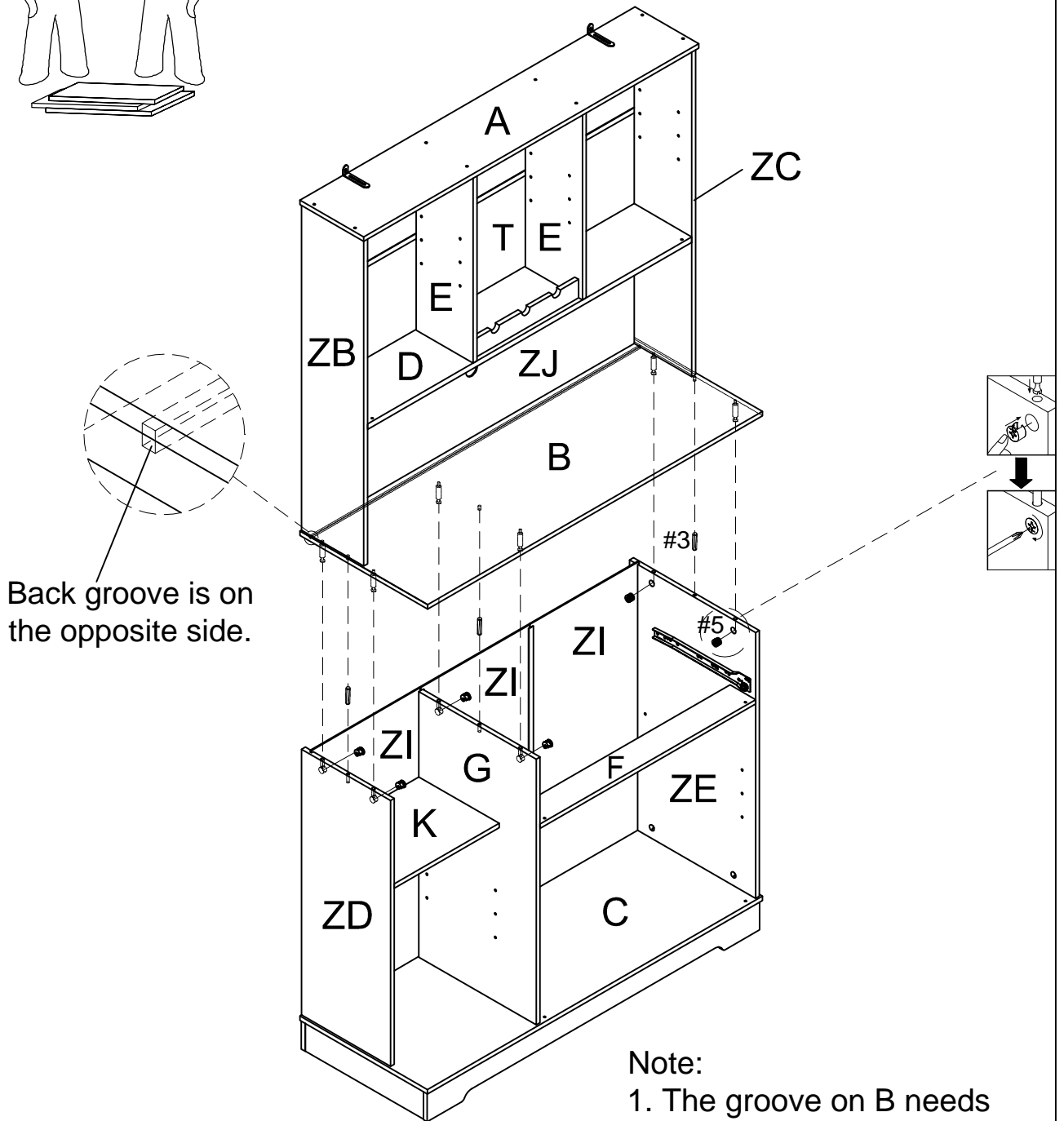
Step 19.



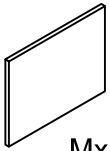
Step 20.



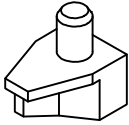
At Least 2 Person.



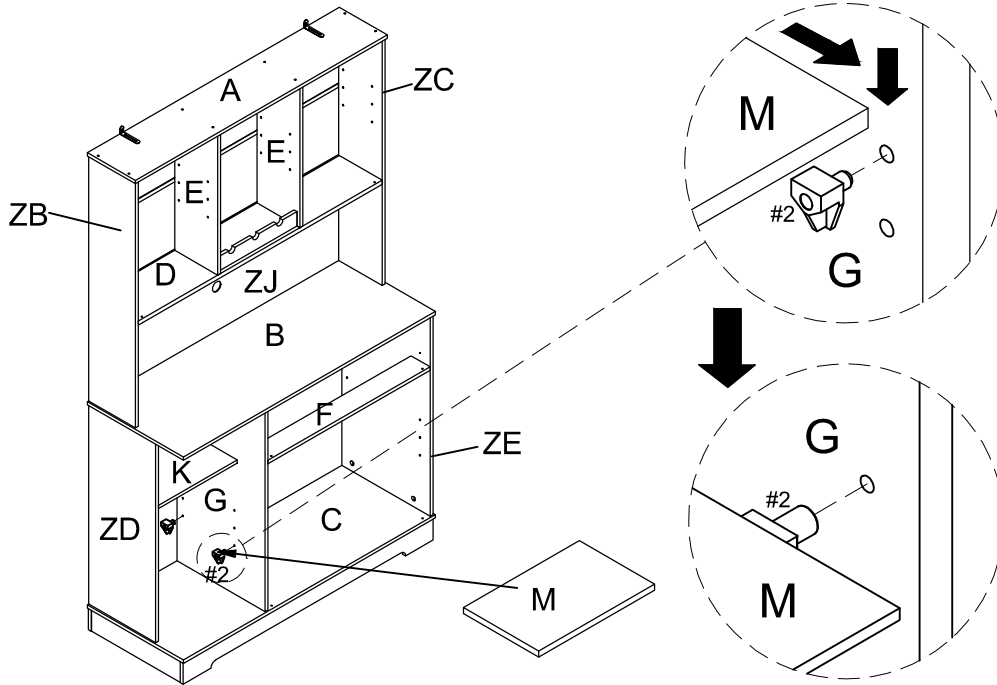
### Step 21.



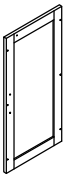
Mx1



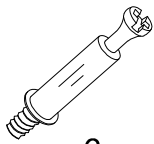
#2 X4



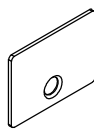
### Step 22.



ZFx1



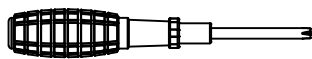
#4X6



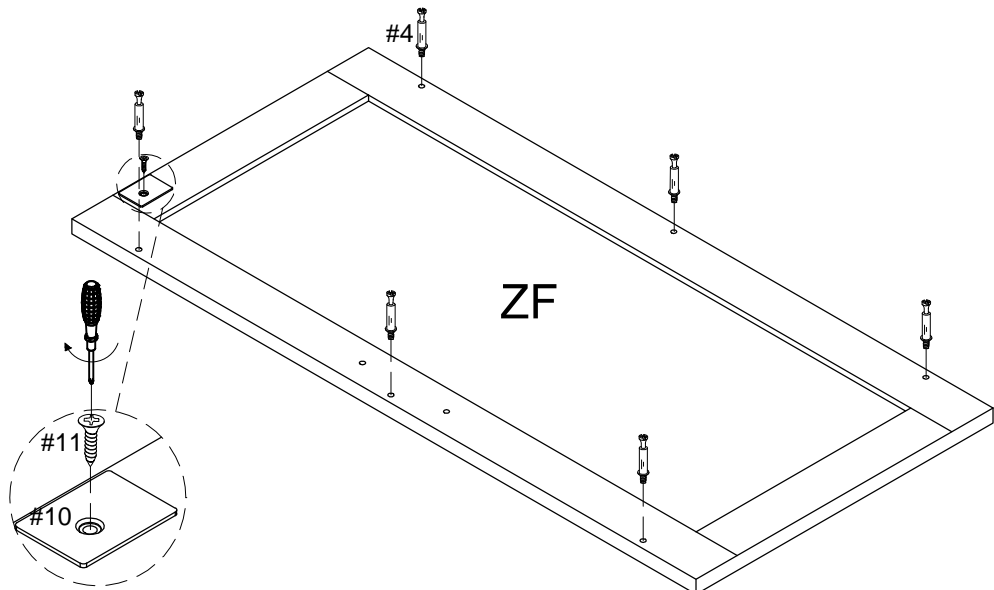
#10 X1



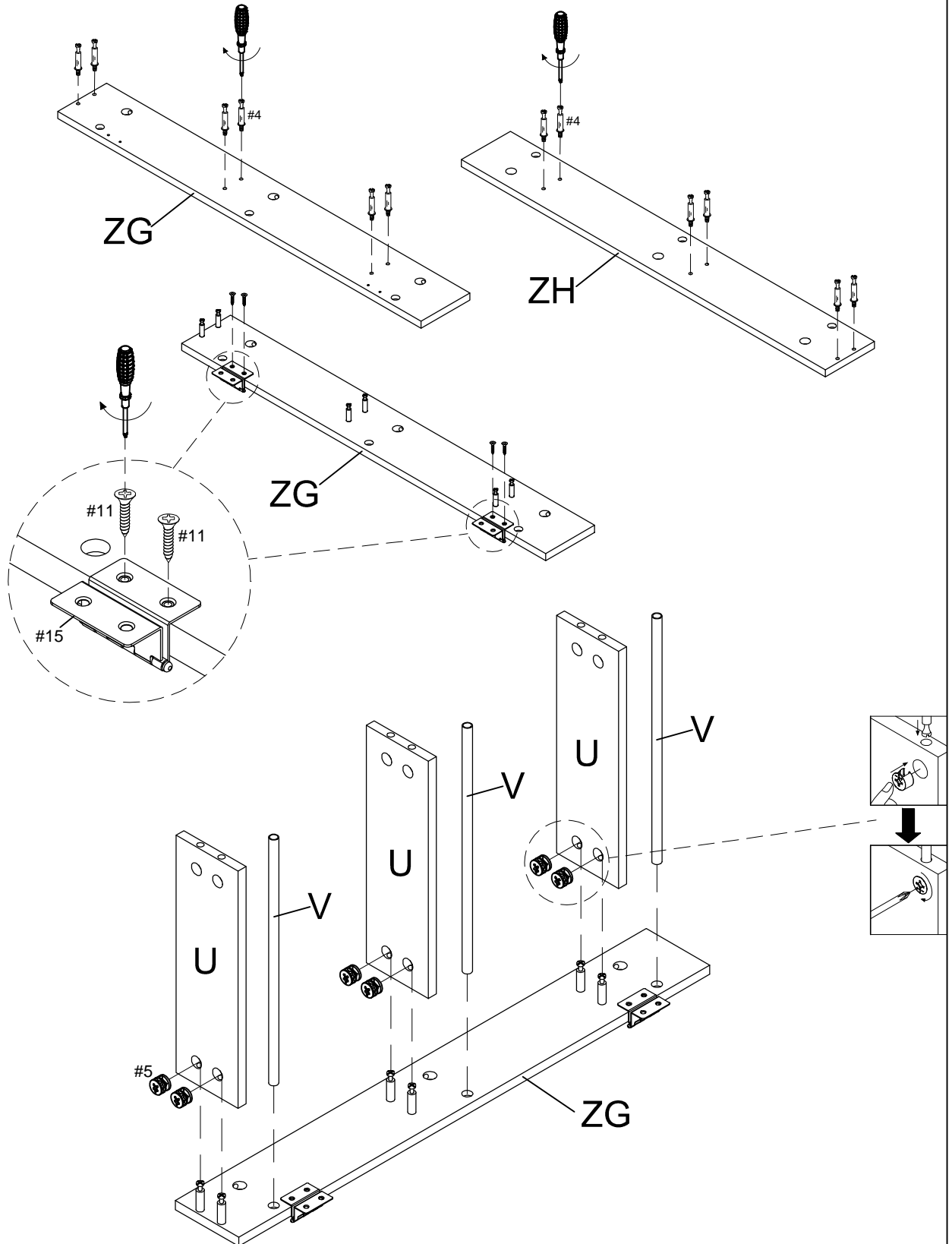
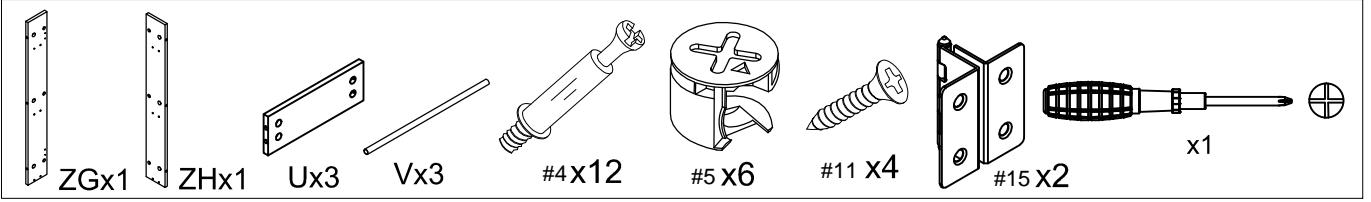
#11 X1



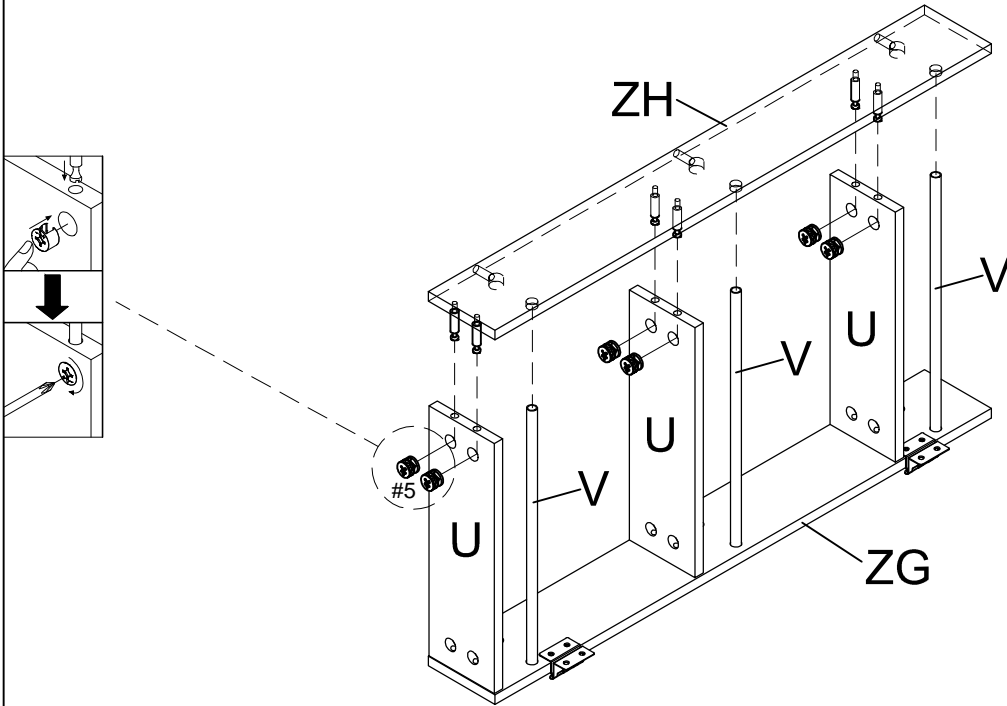
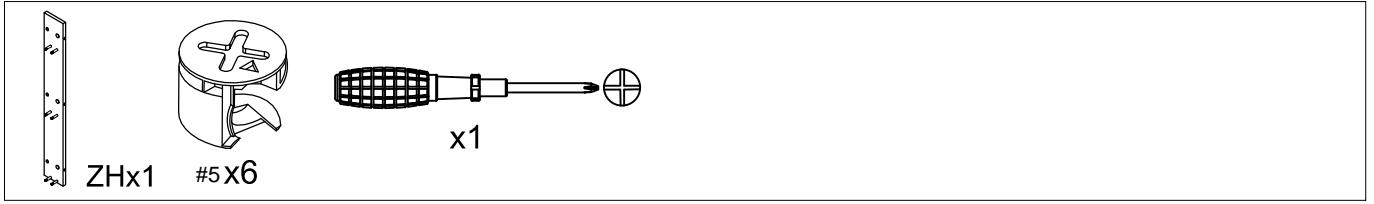
x1



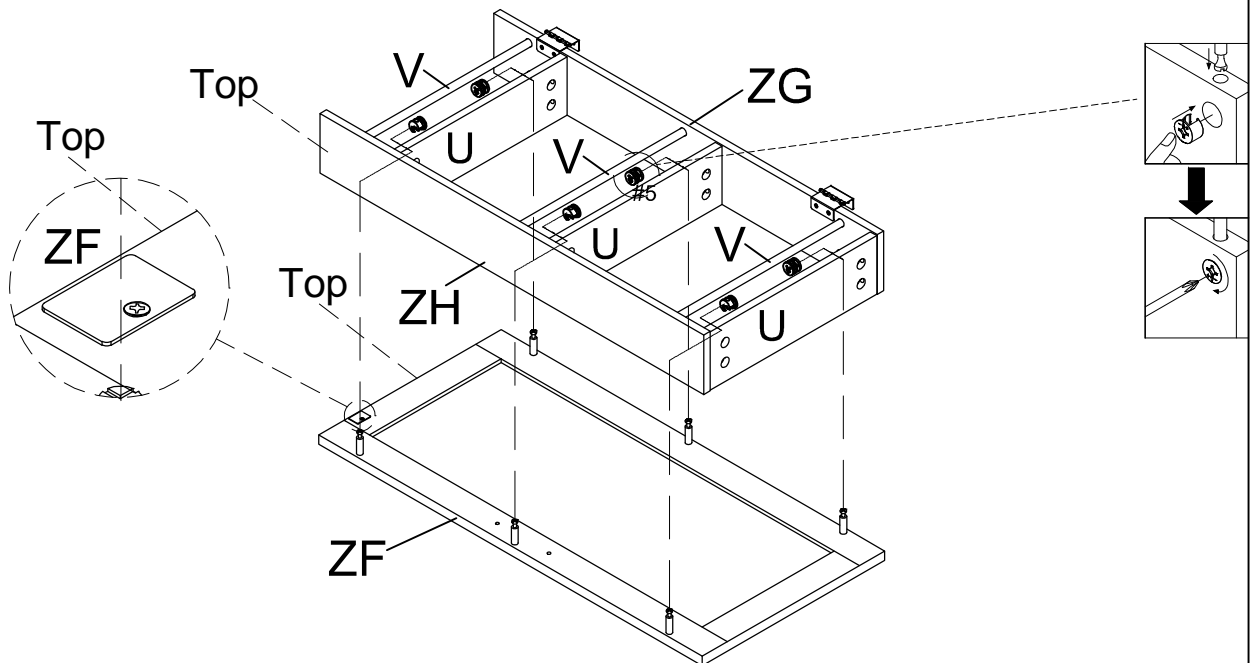
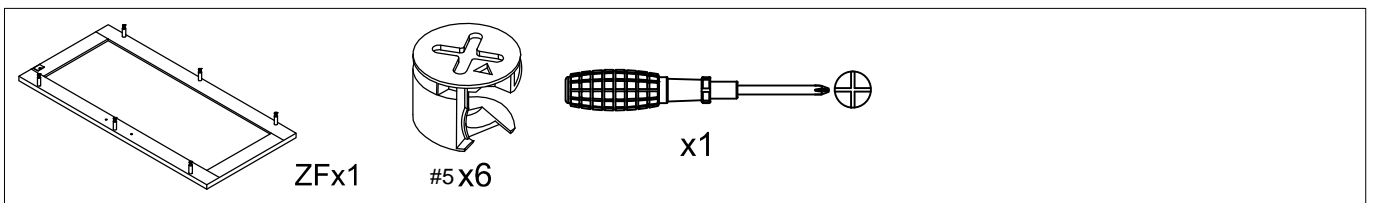
Step 23.



Step 24.



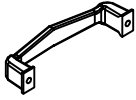
Step 25.



Step 26.



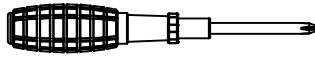
#11 X4



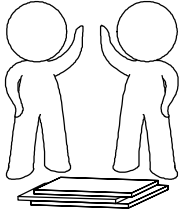
#12 X1



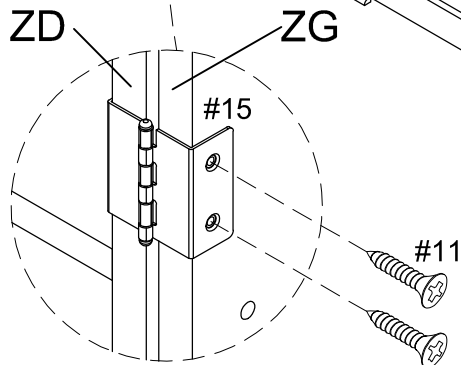
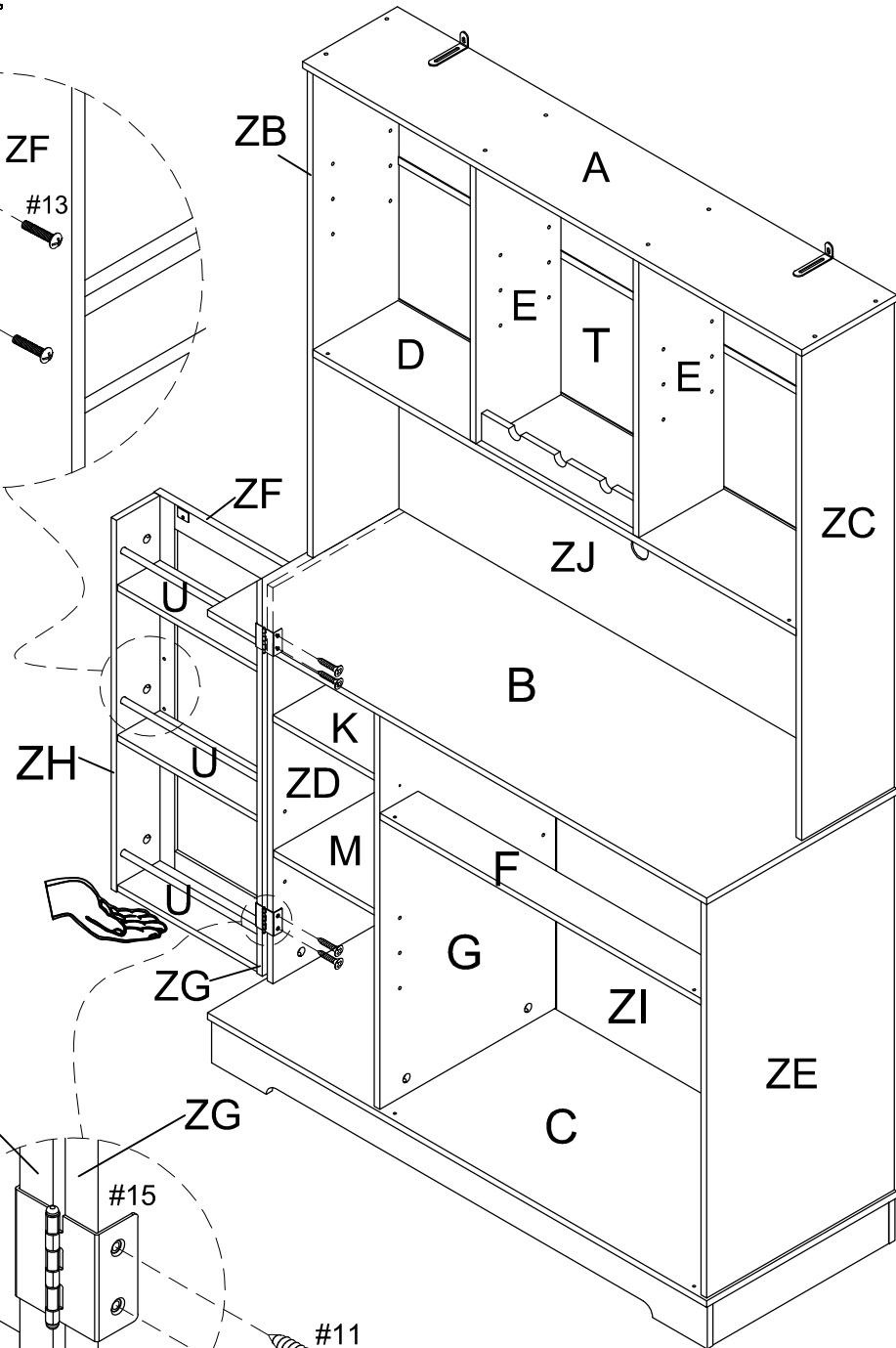
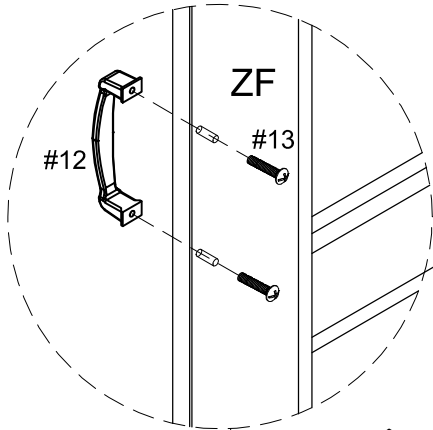
#13 X2



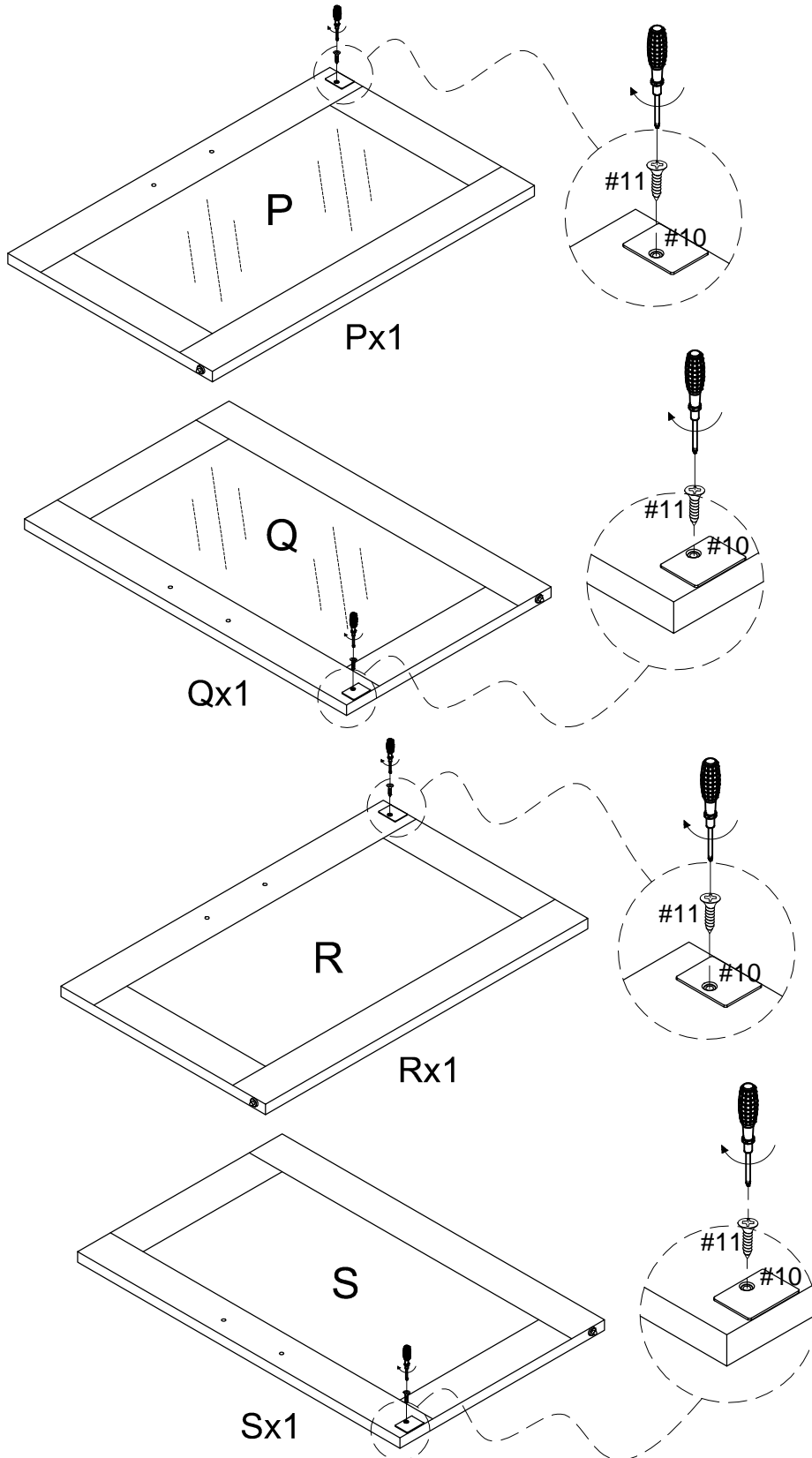
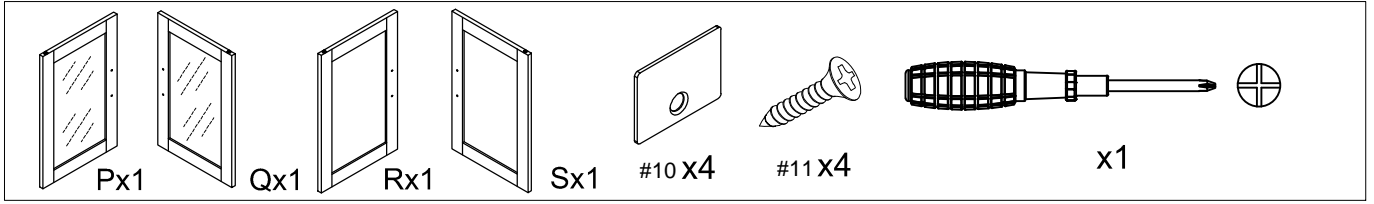
x1



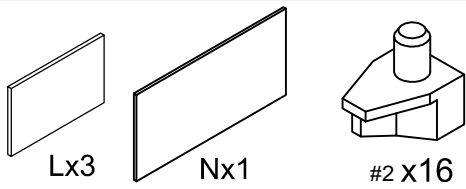
At Least 2 Person.



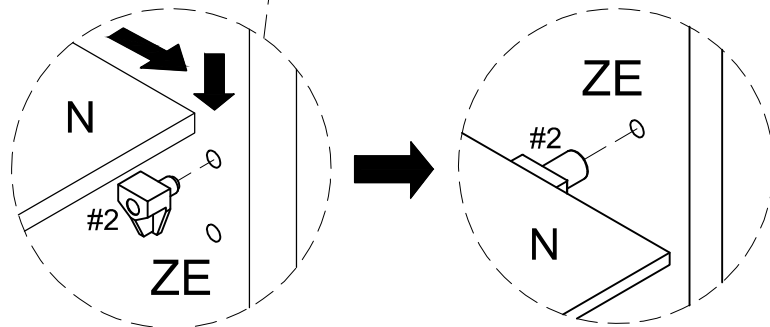
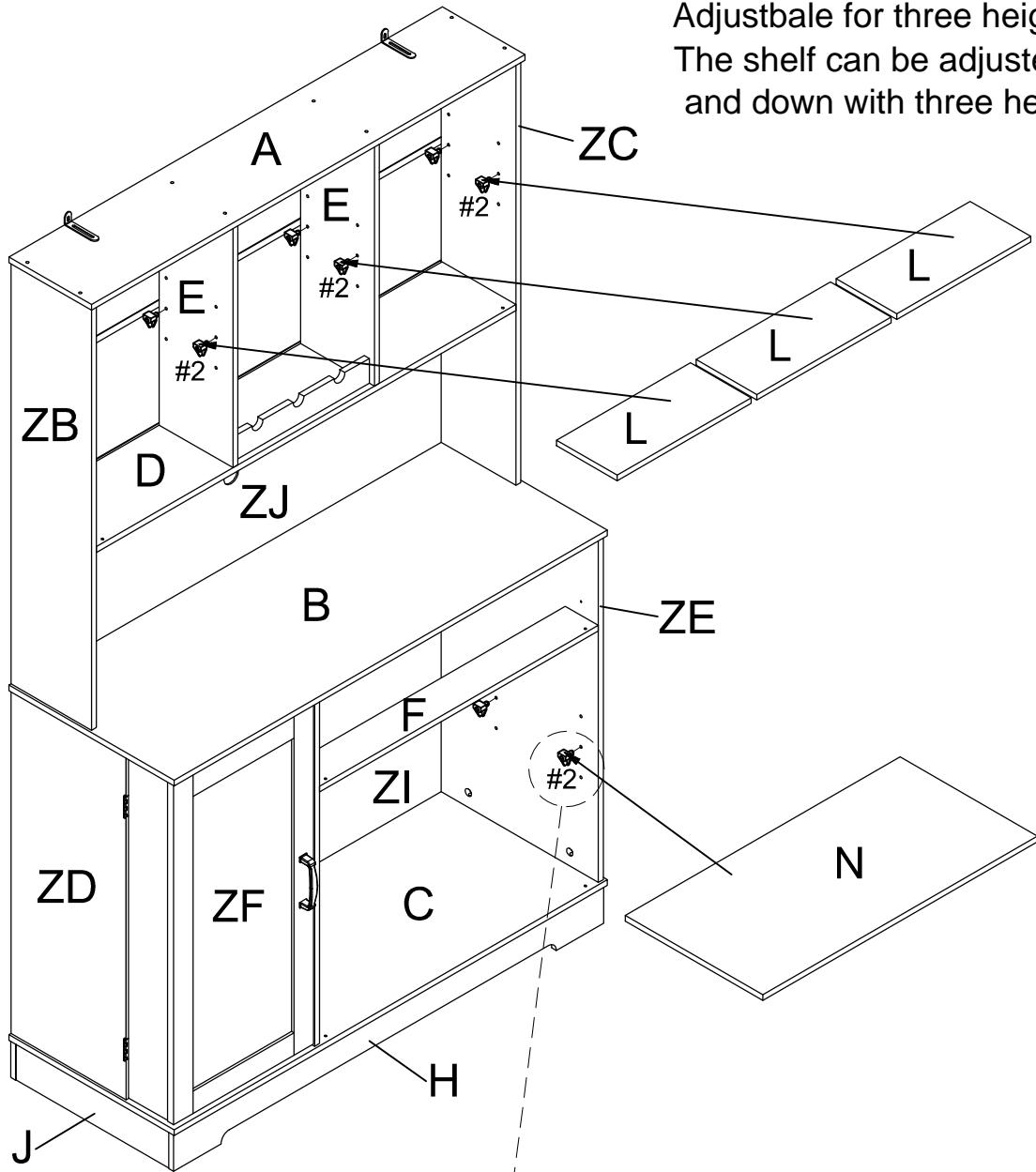
Step 27.



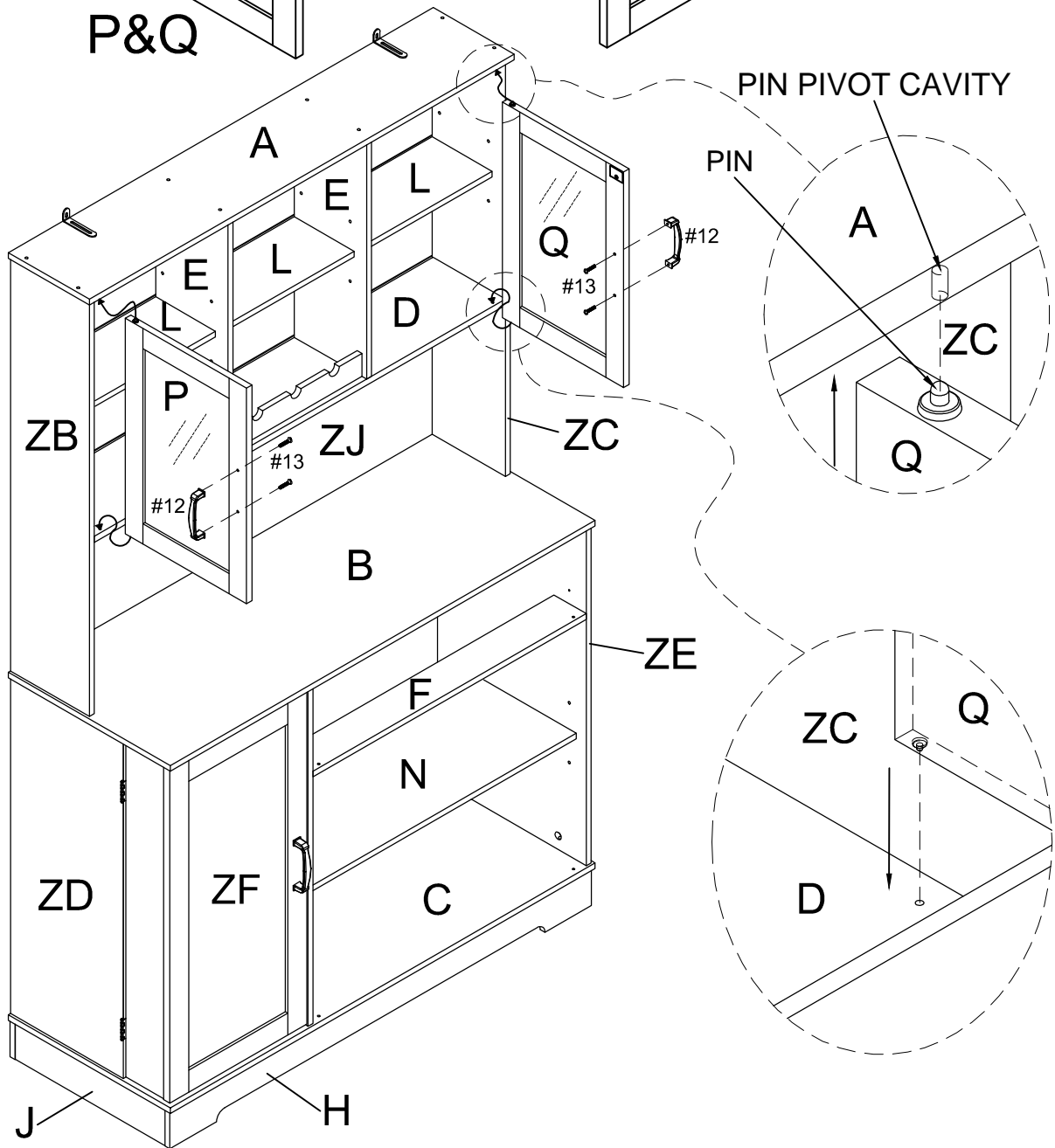
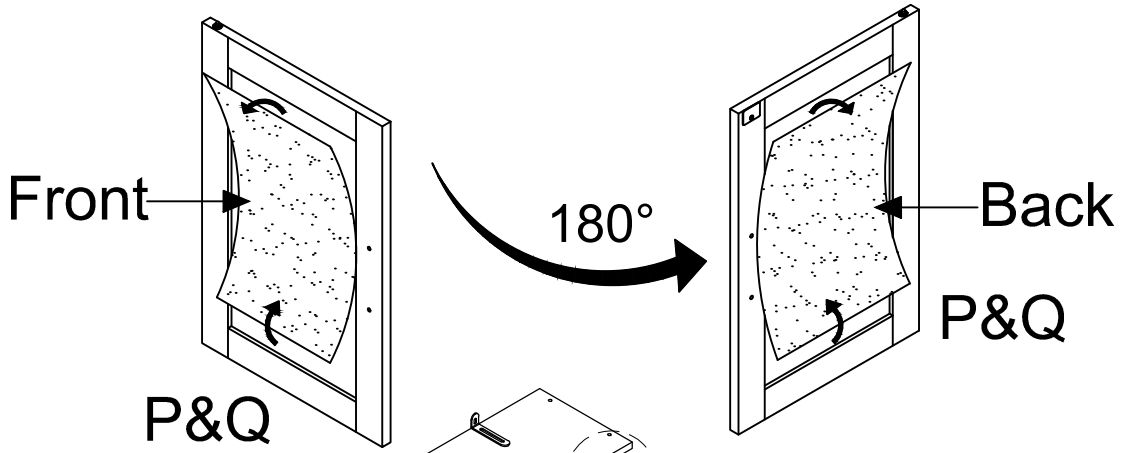
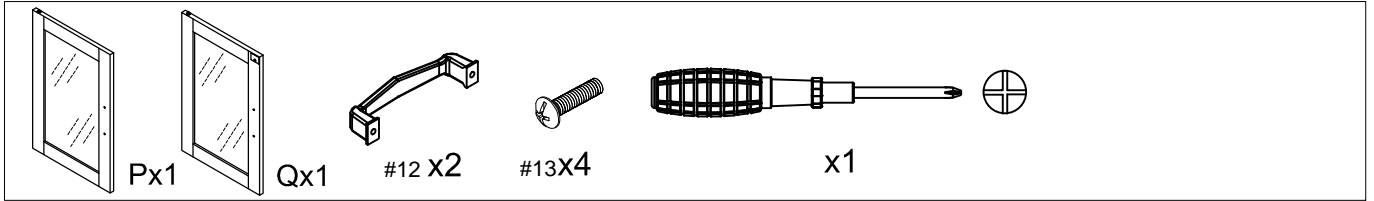
Step 28.



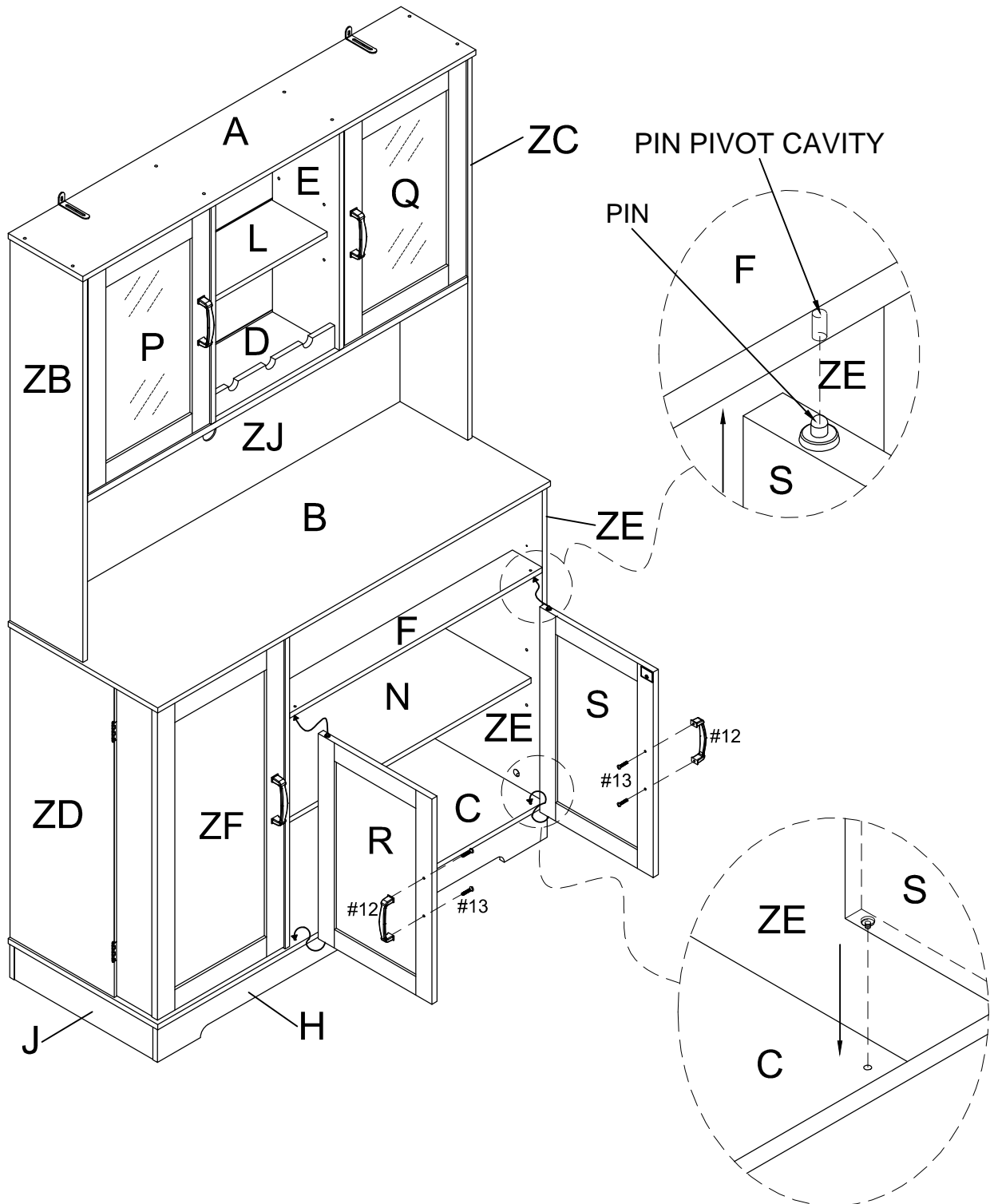
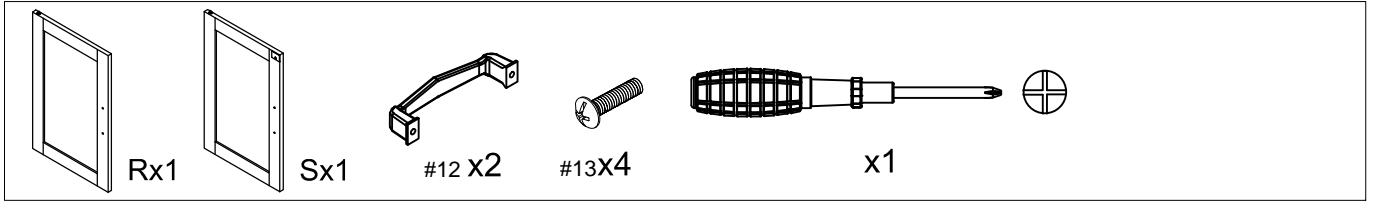
Adjustable for three heights.  
The shelf can be adjusted up  
and down with three heights.



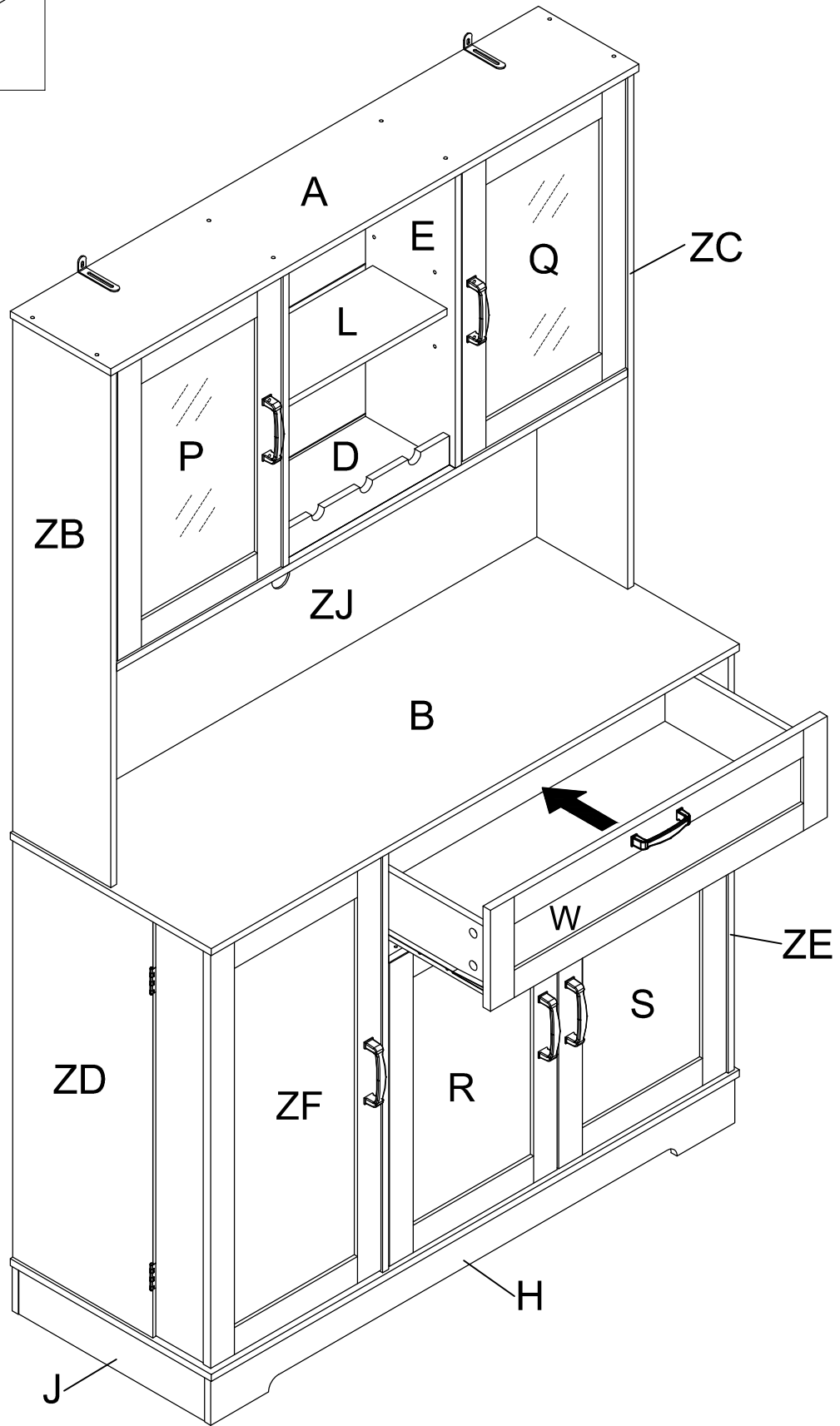
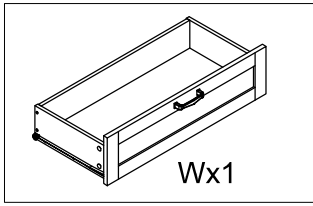
Step 29.



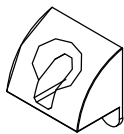
Step 30.



Step 31.



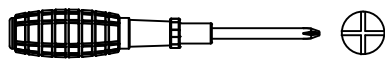
Step 32.



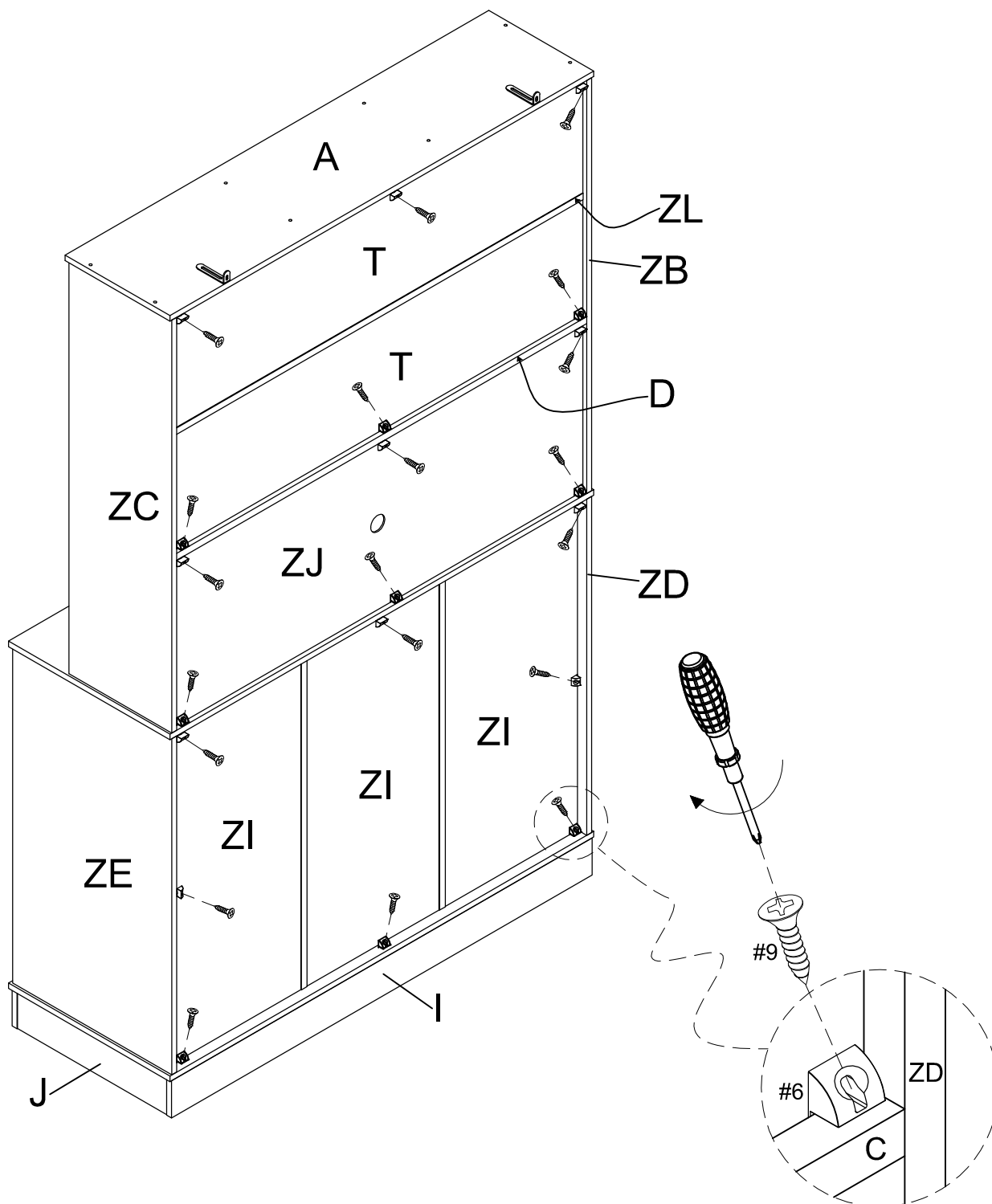
#6 x20



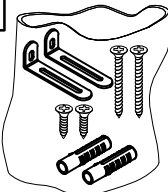
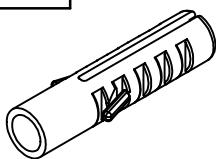
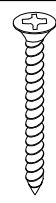
#9 x20



x1

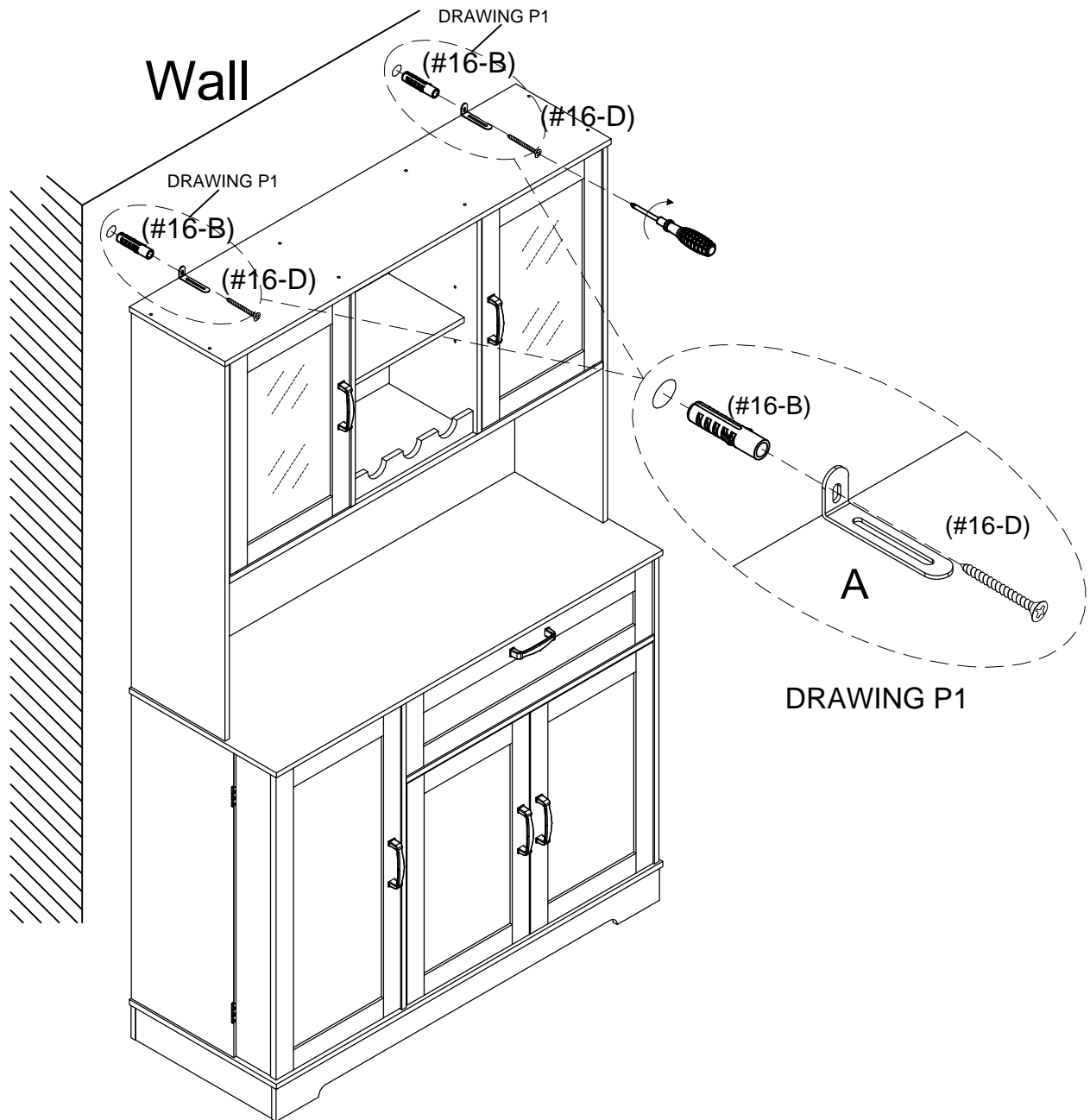


Step 33.

<p>#16</p> 	<p>#16-B</p> 	<p>#16-D</p> 
<p>Safety Strap Kit</p> <p>1 SET</p>	<p>Wall Anchor</p> <p>2 PCS</p>	<p>Ø4*40mm Long Screw</p> <p>2 PCS</p>

Safety strap kit ( #16) must be installed to prevent tipping, damage and/or injury.

**WARNING** in order to prevent overturning this product must be used with the wall attachment device provided.



The assembly of the cabinet is complete.

## Warning:

Seller is responsible for the product-related issues occurred upon receipt, but will not be responsible for the personal injury, property damage or loss resulting from the incorrect assembly, improper use, inadequate maintenance or neglect of this product.