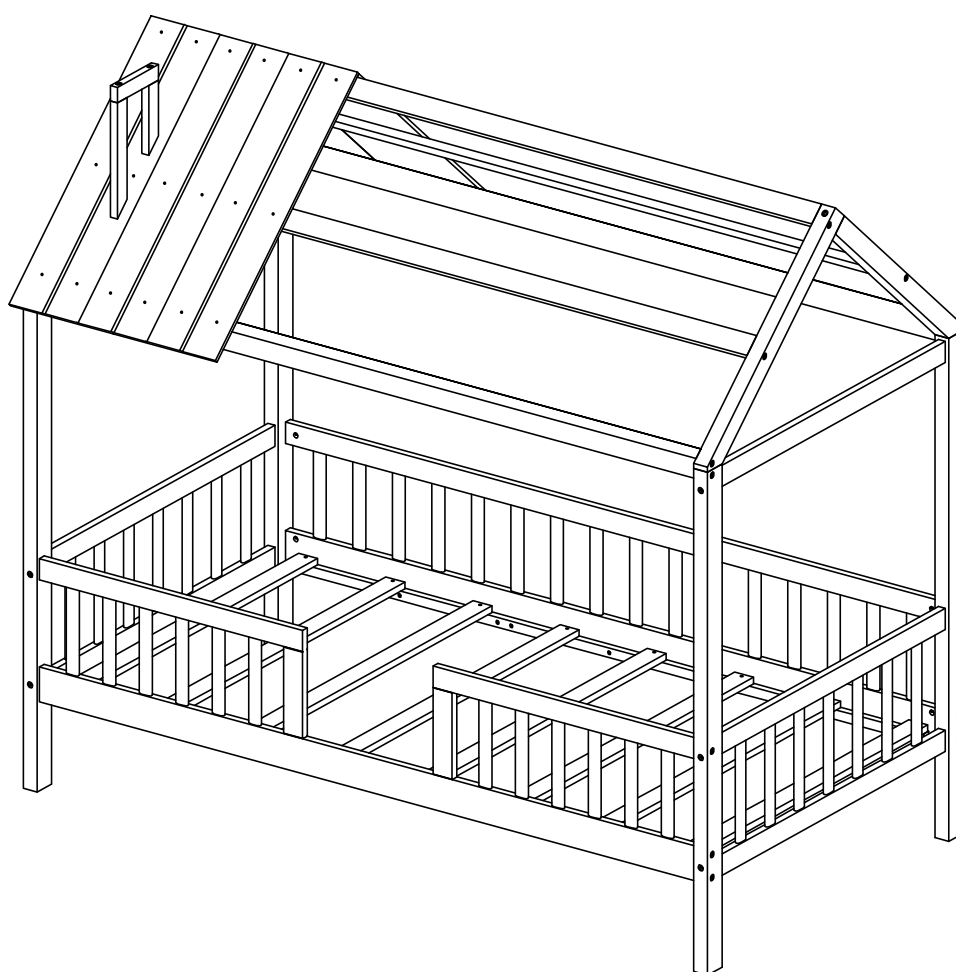


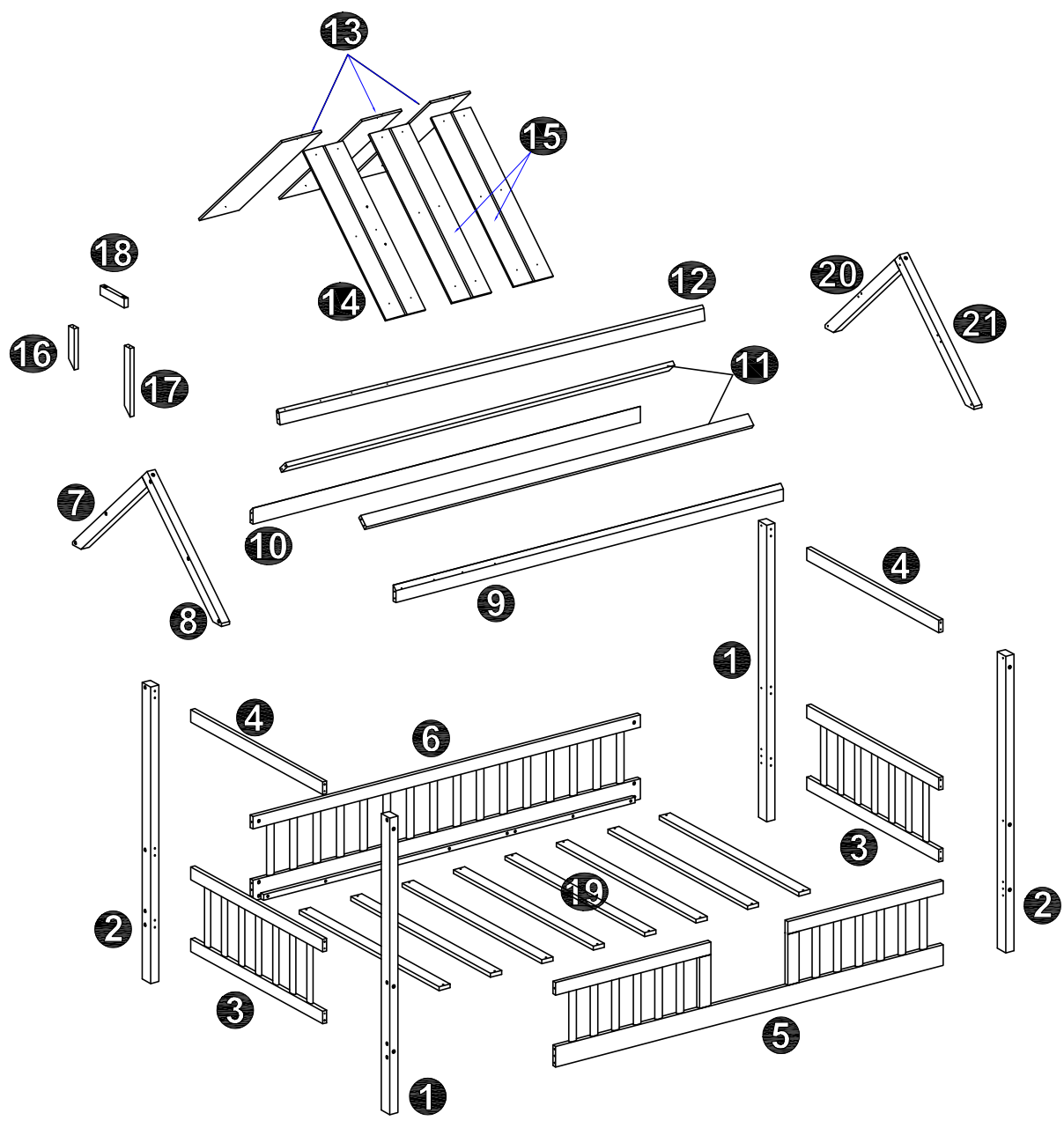
# ASSEMBLY INSTRUCTIONS

## TWIN SIZE HOUSE BED WITH CHIMNEY

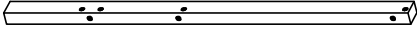
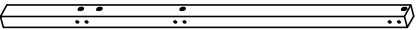
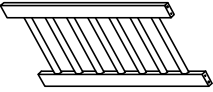
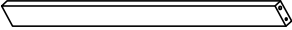

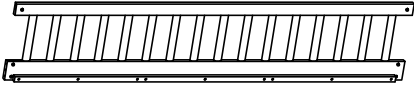
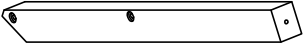
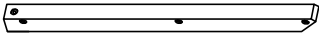
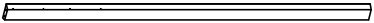
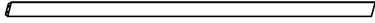

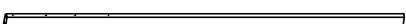
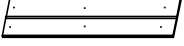
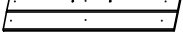
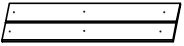
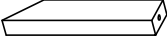
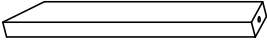
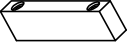
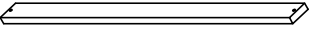
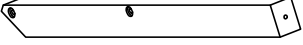
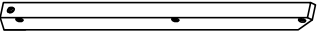


This set is included 1 boxes if don't receive full 1 boxes please contact our customer service team.

# Detail View




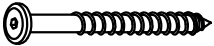
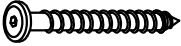






# Part List



<p><b>1</b></p>  <p>Legs front left back right- 2pcs</p>	<p><b>2</b></p>  <p>Legs front right back left- 2pcs</p>
<p><b>3</b></p>  <p>Hip frame- 2pcs</p>	<p><b>4</b></p>  <p>Upper hip bar- 2pcs</p>
<p><b>5</b></p>  <p>Front frame- 1pc</p>	<p><b>6</b></p>  <p>Back frame- 1pc</p>
<p><b>7</b></p>  <p>Rear Left Roof Diagonal Quiz- 1pc</p>	<p><b>8</b></p>  <p>Front Left Roof Diagonal Quiz- 1pc</p>
<p><b>9</b></p>  <p>Front crossbar- 1pc</p>	<p><b>10</b></p>  <p>Rear crossbar- 1pc</p>
<p><b>11</b></p>  <p>Roof board puzzle- 2pcs</p>	<p><b>12</b></p>  <p>The roof board puzzle- 1pcs</p>
<p><b>13</b></p>  <p>Rear roof panel- 3pcs</p>	<p><b>14</b></p>  <p>Left front roof panel- 1pc</p>
<p><b>15</b></p>  <p>Rear roof panel- 2pcs</p>	<p><b>16</b></p>  <p>Rear decoration quizz- 1pc</p>
<p><b>17</b></p>  <p>Pre-decoration quizz- 1pc</p>	<p><b>18</b></p>  <p>Horizontal decoration puzzle- 1pc</p>
<p><b>19</b></p>  <p>Slat- 8pcs</p>	<p><b>20</b></p>  <p>Right Rear Roof Riddle- 1pc</p>
<p><b>21</b></p>  <p>Right Front Roof Riddle- 1pc</p>	

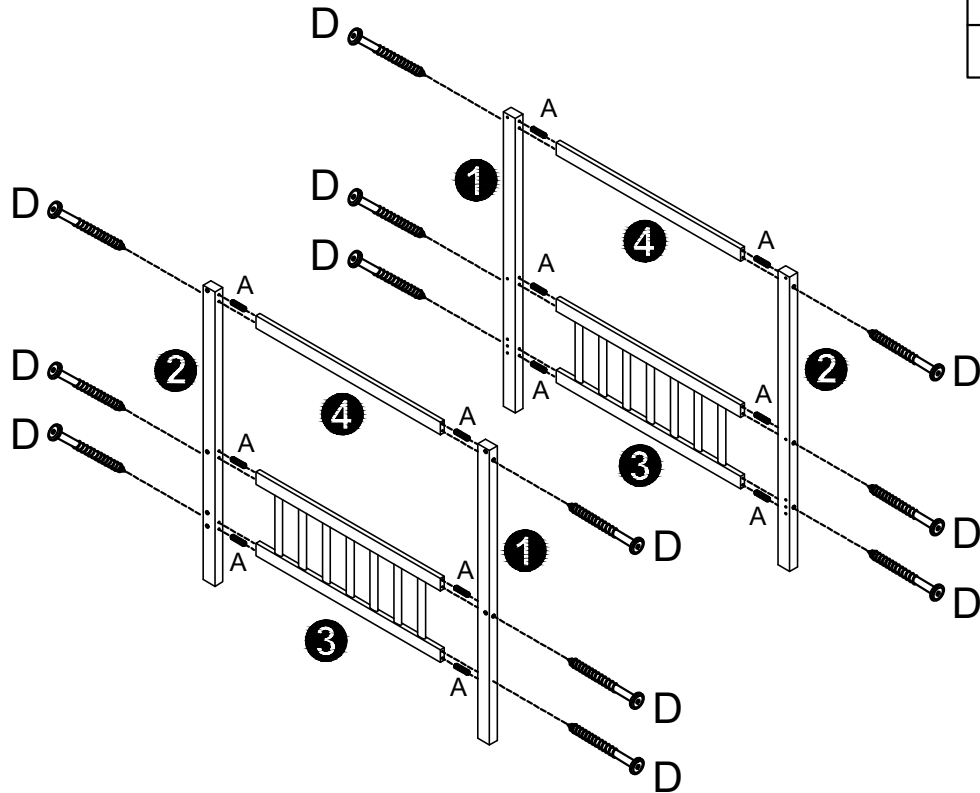
# Part List

## Hardware List




<b>A</b>  Ø8*30mm	<b>B</b>  Ø1/4"*80mm	<b>C</b>  Ø1/4"
Wood dowel (22pcs)	Hex-Head bolt (12pcs)	Horizontal-Hole bolt (12pcs)
<b>D</b>  Ø6*100mm	<b>E</b>  Ø6*80mm	<b>F</b>  #4*30mm
Hex-Head screw (12pcs)	Hex-Head screw (16pcs)	Screw (16pcs)
<b>G</b>  #4*20mm	<b>H</b>  Ø6*50mm	<b>I</b>  K4mm
Screw (36pcs)	Hex-Head screw (4pcs)	Allen key (1pc)

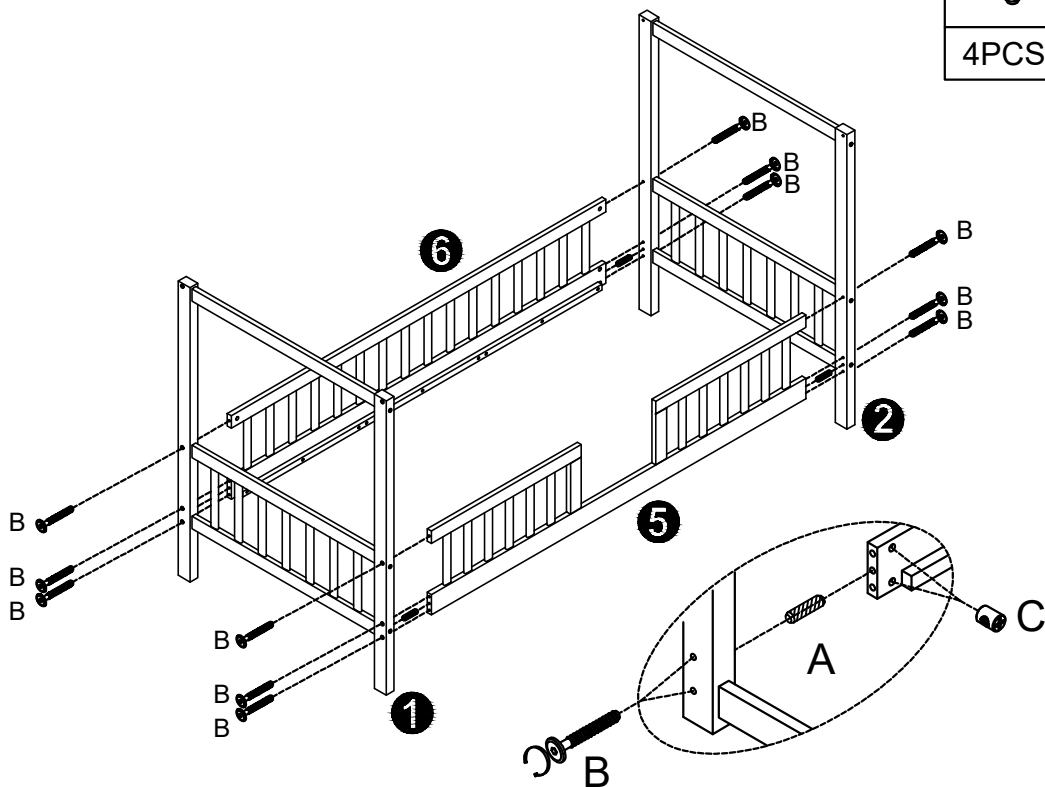
# STEP 1

A	D
	
12PCS	12PCS



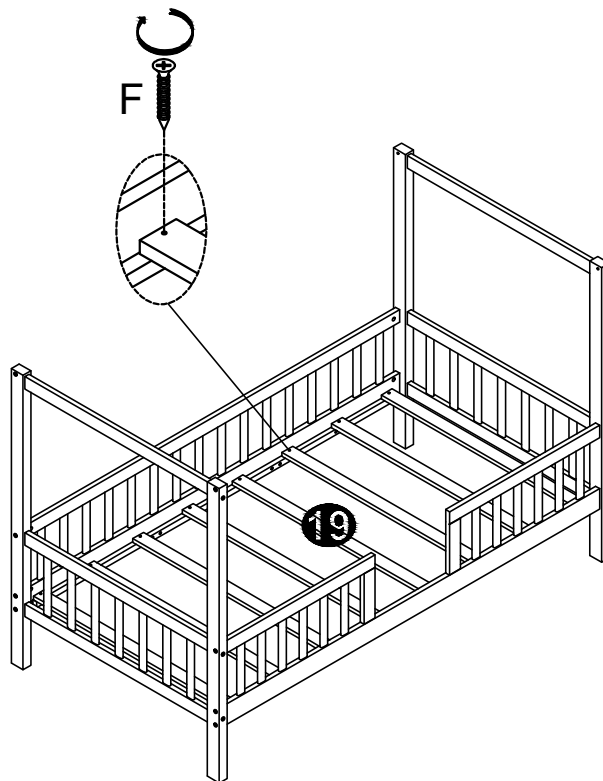
# STEP 2:

A	B	C
		
4PCS	12PCS	12PCS



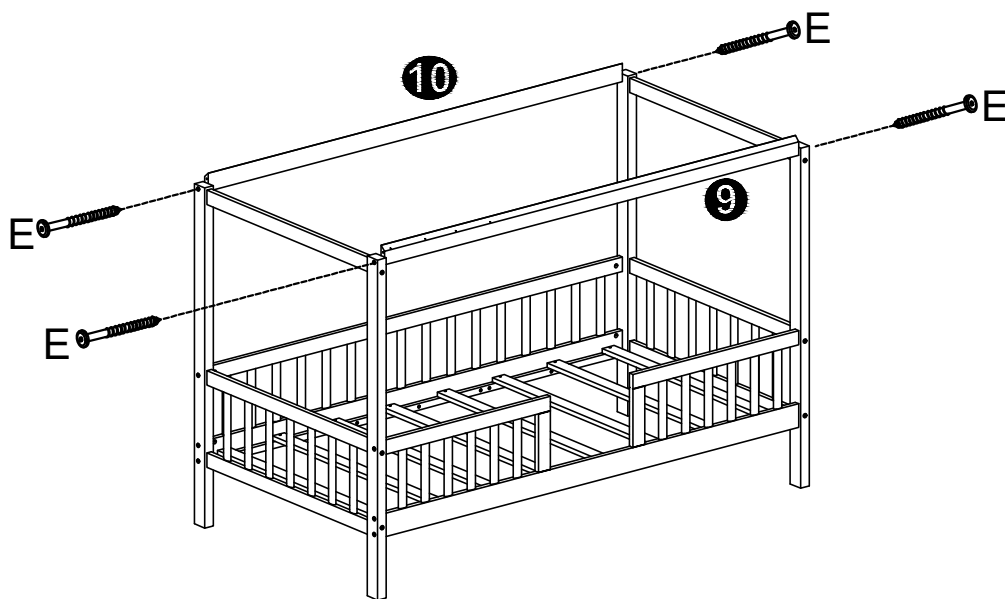
STEP 3:

F  
16PCS




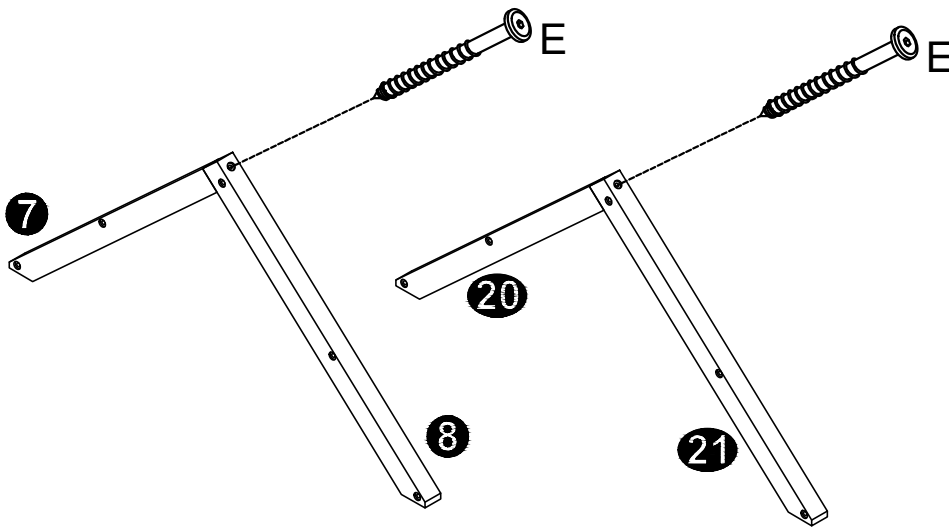
STEP 4

E  
4PCS





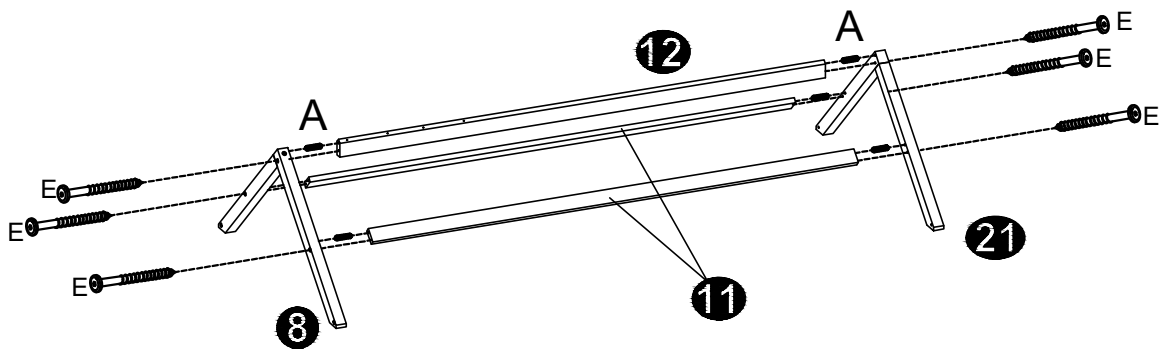
# STEP 5

E	
2PCS	




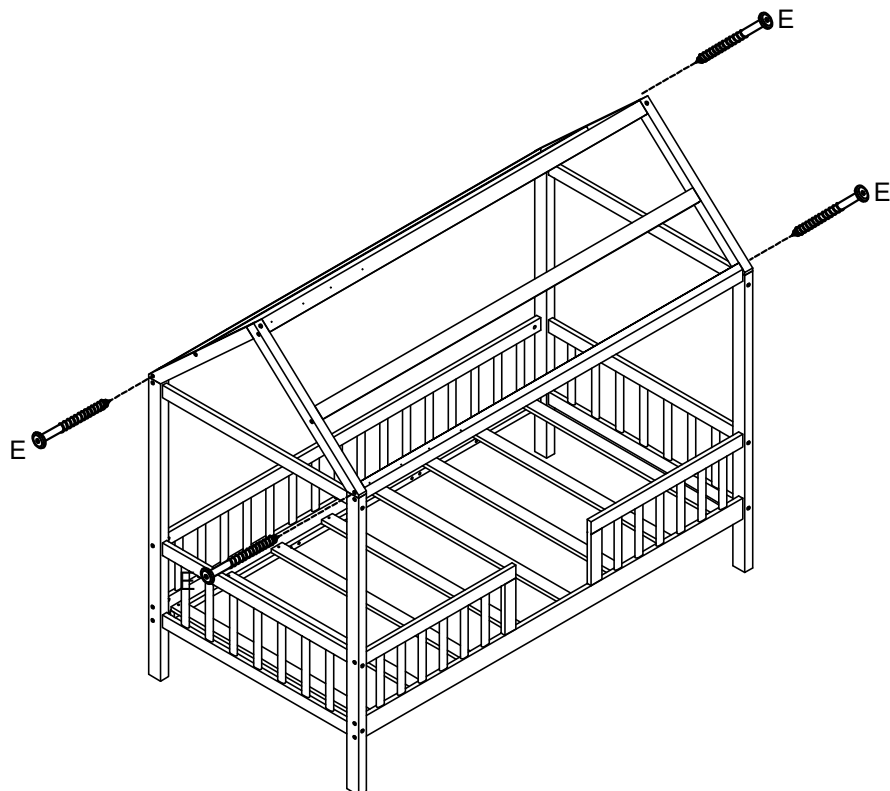
# STEP 6

A		E	
6PCS		6PCS	




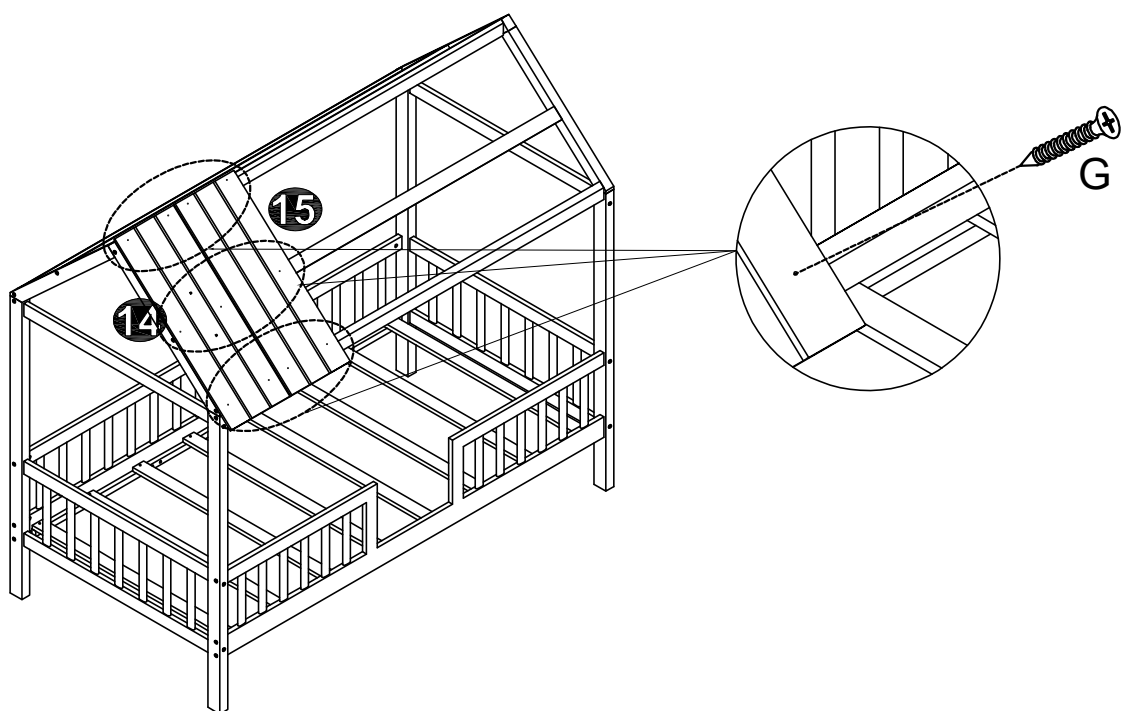
STEP 7

E	
4PCS	




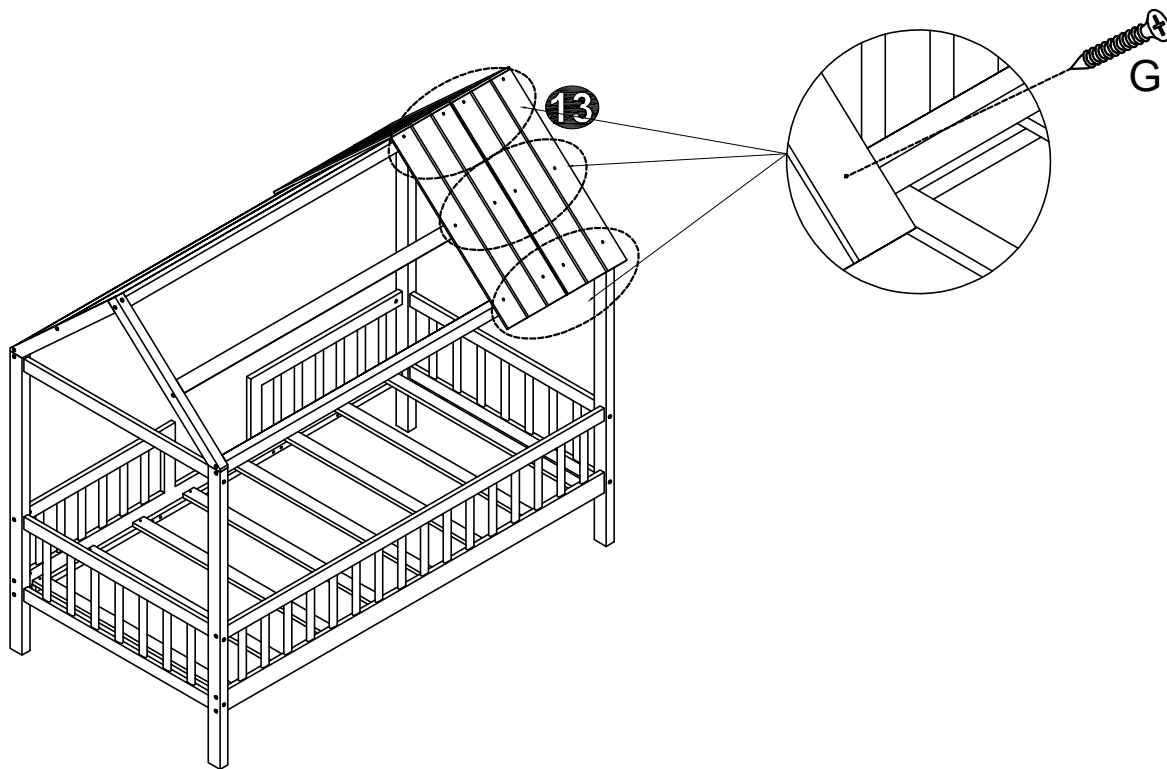
STEP 8

G	
18PCS	




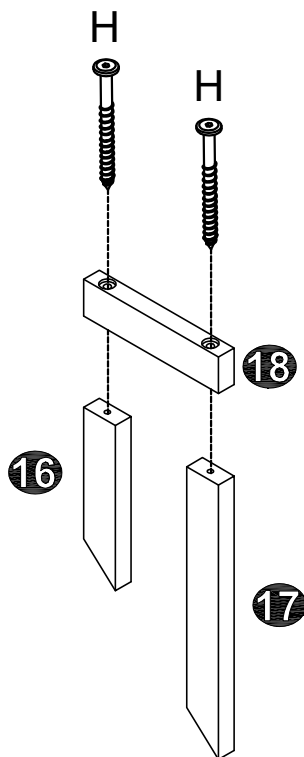
STEP 9

G  
  
18PCS




STEP 10

H  
  
2PCS



STEP 7

H	
2PCS	

