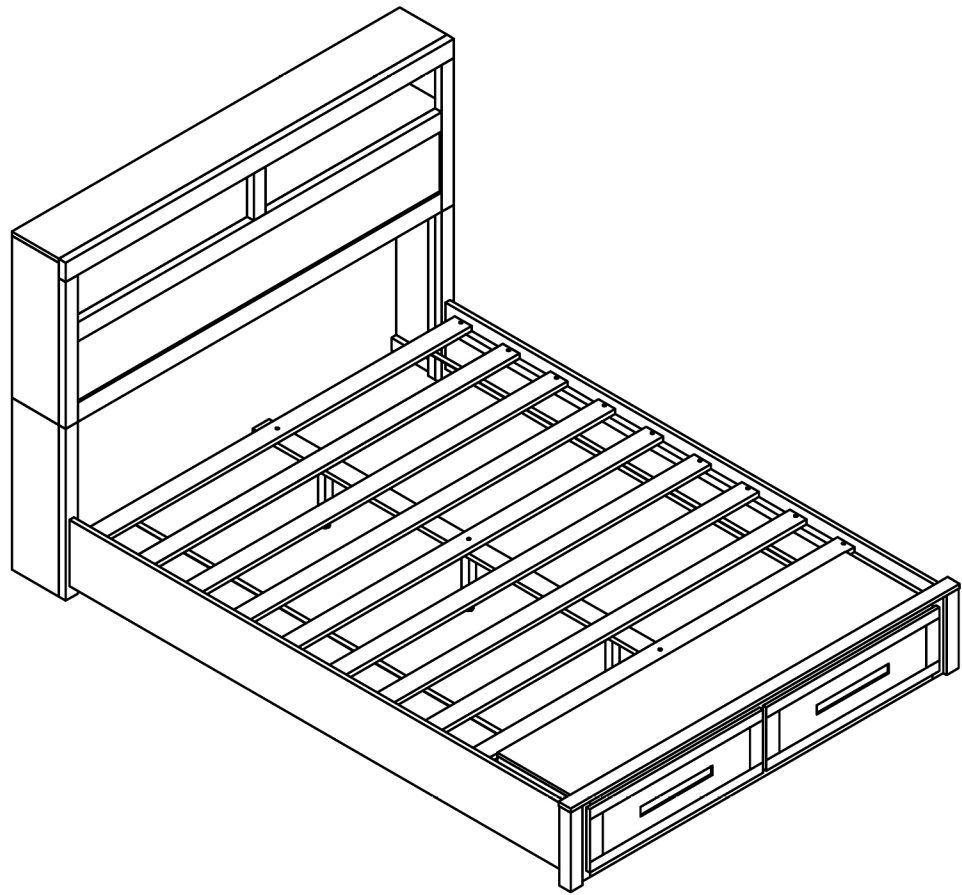


# Assembly Instructions



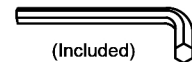
## ASSEMBLY RATING

The Assembly Rating is a 5-point system that shows the degree of effort needed in assembling a specific product (with 1 being easy and 5 being difficult). For some products, two persons are recommended.

EASY  DIFFICULT

## Tools Required For Assembly:

Allen Wrench



(Included)

Phillips Screwdriver



(Not Included)

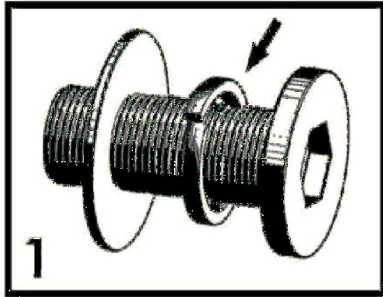


2 PERSONS RECOMMENDED

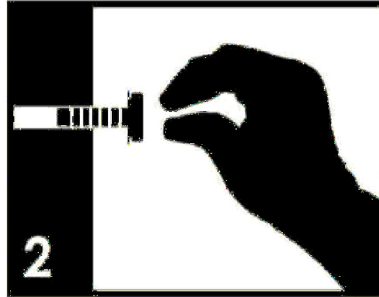
# ASSEMBLY & CARE ADVICE

FOR YOUR FURNITURE TO LAST, CORRECT ASSEMBLY AND PROPER MAINTENANCE ARE NECESSARY. PLEASE FOLLOW THE INFORMATION PROVIDED BELOW TO FULLY ENJOY YOUR FURNITURE.

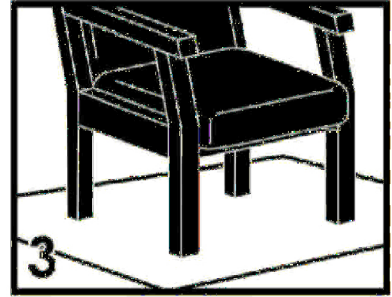
## BASIC ASSEMBLY TECHNIQUES



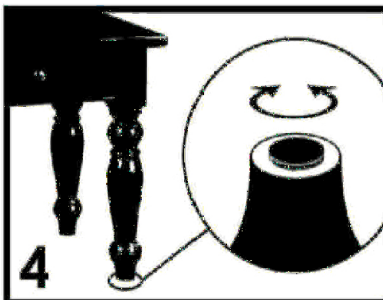
When lock or spring washer is used in an assembly, please make sure the lock or spring washer is placed between the larger flat washer and the head of the screw or bolt.



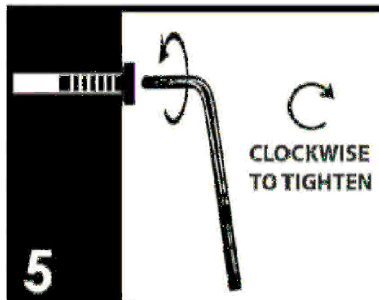
Position each part correctly and insert screws or bolts into their respective holes by hand tighten or using the proper hand tool. Only tighten when step is completed or when instructed to do so.



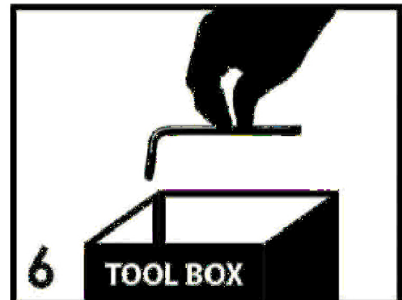
Use cardboard or carpet area when assembling furniture to prevent scratches. Make sure the furniture rests on a flat and level surface with each leg evenly touching the floor. No dragging of products/parts.



Some furniture comes with height adjustment knobs underneath each leg. To lower or to raise each leg, you need to turn clockwise or counterclockwise, respectively.



Make sure all parts are properly aligned, then use the appropriate hand tool to completely tighten the bolts or screws. Do not use power tools and do not overtighten.

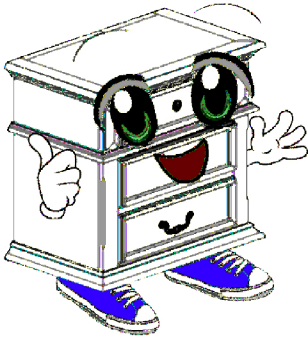


Save the instructions and store the Allen wrench or any supplied tool for later maintenance. After two weeks, check and tighten any loose hardware and repeat again every six months thereafter.

IT IS THE USER'S RESPONSIBILITY TO MAINTAIN THE FURNITURE. THE HARDWARE MAY LOOSEN OVER TIME AND MAY CAUSE THE FURNITURE TO BE WOBBLY AND UNABLE TO SUPPORT ITS INTENDED WEIGHT CAPACITY. THIS MAY LEAD TO COLLAPSE AND MAY CAUSE SERIOUS INJURY.



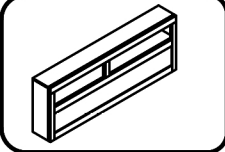
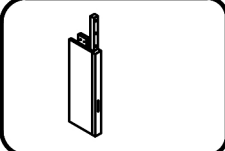
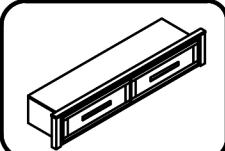

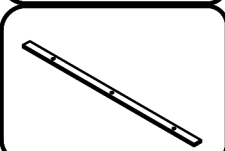
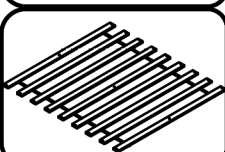
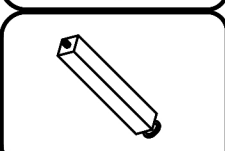
**FAILURE TO FOLLOW THE GUIDELINES ABOVE MAY RESULT IN INJURY AND/OR PROPERTY DAMAGE.**



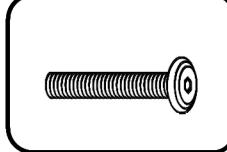
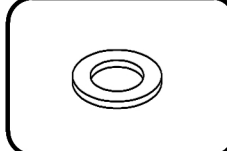
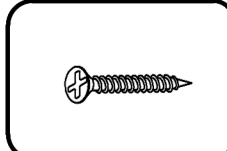

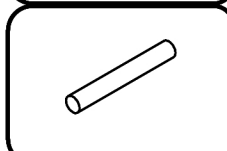
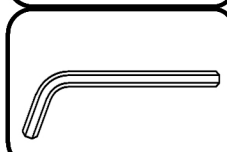
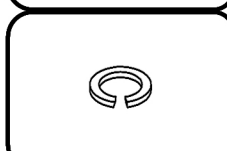
Before you begin, please read Page 2 of "Assembly and Care Advice".

And remember, do not tighten until each step is completed or instructed.

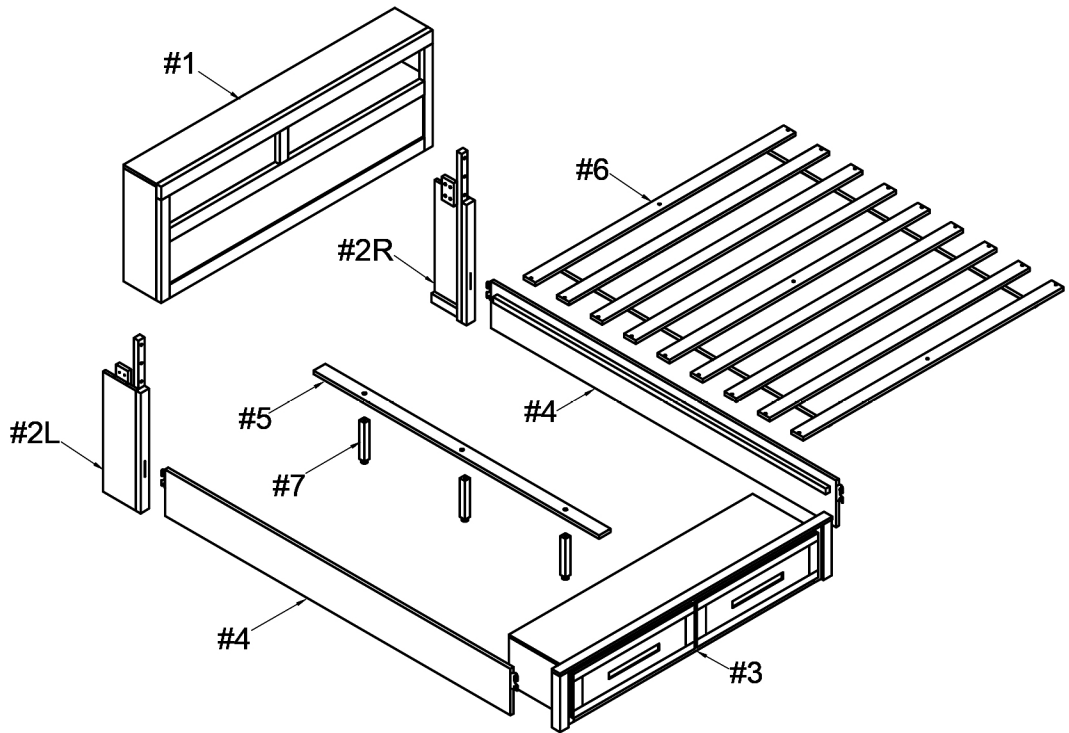
### Parts List

-  #1 x 1pc  
Headboard
-  #2 x 2pcs  
Leg Headboard (L&R)
-  #3 x 1pc  
Storage Footboard
-  #4 x 2pcs  
Side Rails
-  #5 x 1pc  
Center Rail
-  #6 x 1set  
Slat (9pcs)
-  #7 x 3pcs  $\text{Ø}5/16''$   
Support Leg 200x30x30mm

### Hardware List

-  #A x 6pcs  
Bolt  $\text{Ø}5/16''$  x 1-3/8"
-  #B x 6pcs  
Flat Washer  $\text{Ø}5/16''$
-  #C x 21pcs  
Screw #4 x 35mm
-  #D x 4pcs  
Screw #4 x 25mm
-  #E x 4pcs  
Metal Dowel  $\text{Ø}1/4''$  x 2"
-  #F x 1pc  
Allen Key M4
-  #G x 6pcs  
Lock Washer  $\text{Ø}5/16''$

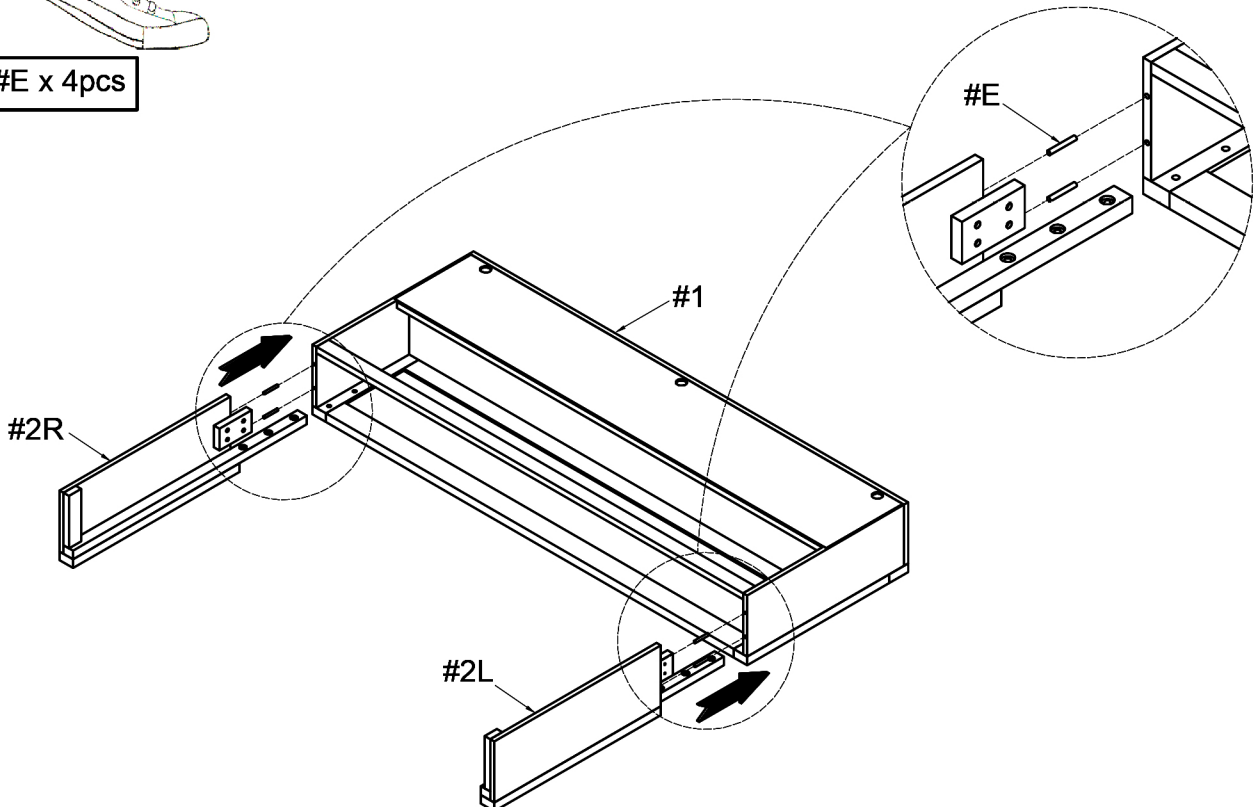
# Exploded View



#1

Insert 2 metal dowels (#E) into the holes along the bottom of each end of the headboard (#1), then apply the legs (#2) onto those metal dowels (#E).

#E x 4pcs

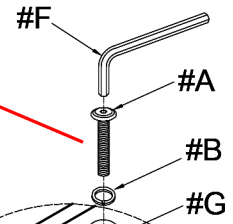




#2

#A x 6pcs  
#B x 6pcs  
#G x 6pcs

1. Prepare 6 bolt assemblies by inserting washer (#B,#G) onto the bolt (#A).



#2R

#1

#2L

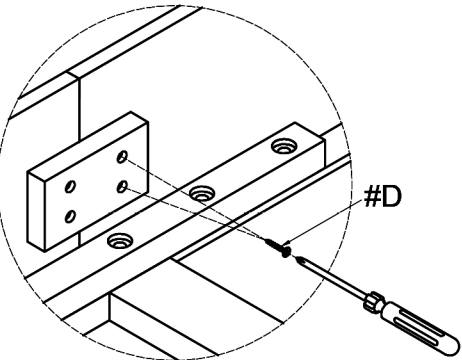
2. Insert 3 bolt assemblies into each leg (#2), then secure using the Allen wrench (#F).



#3

#D x 4pcs

Insert 2 screws (#D) into the holes along the inner side of the legs (#2), then secure using a screwdriver.



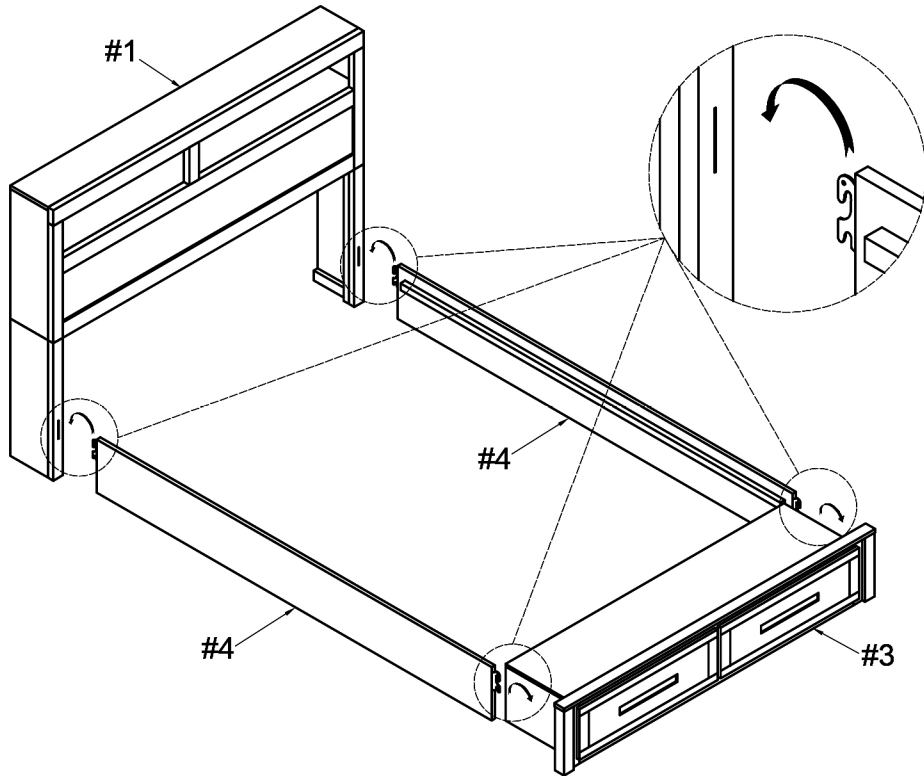
#2R

#1

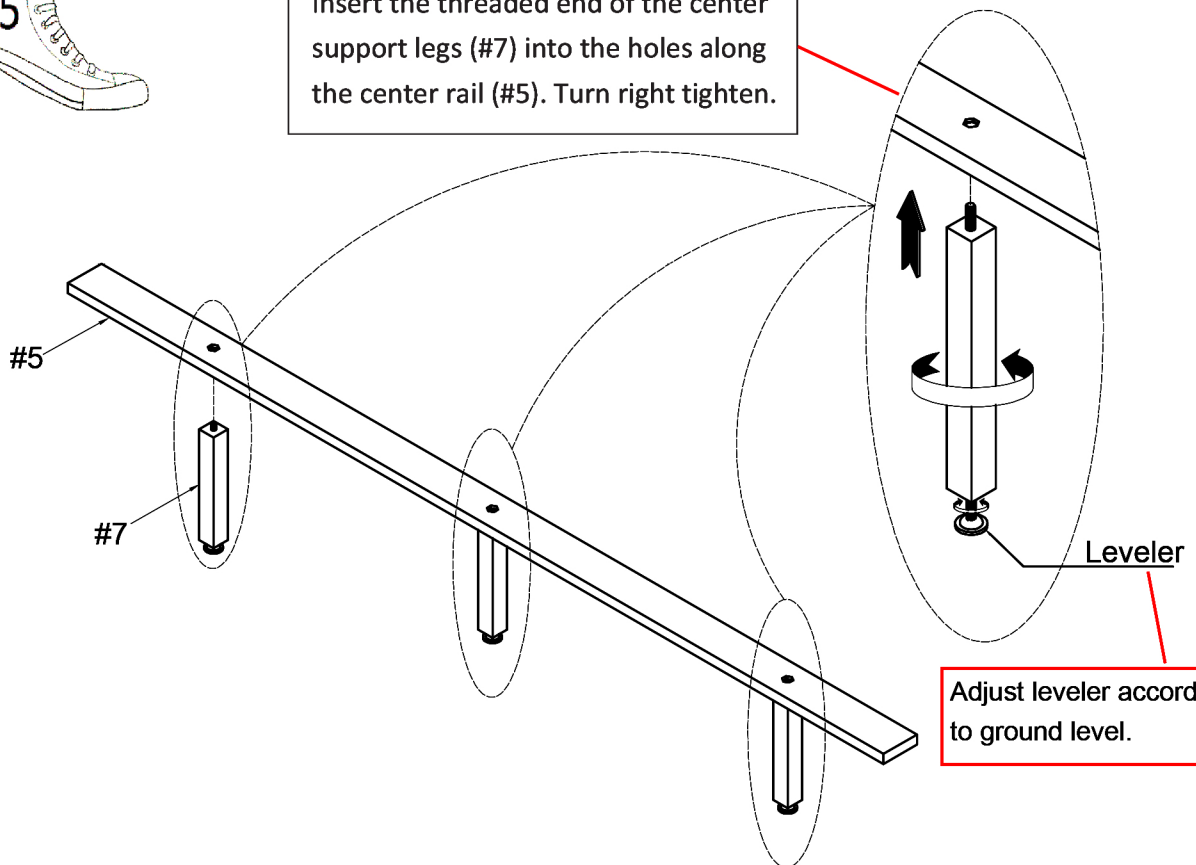
#2L



Hook each end of the side rails (#4) onto the slots along the headboard (#1) and footboard (#3).



Insert the threaded end of the center support legs (#7) into the holes along the center rail (#5). Turn right tighten.

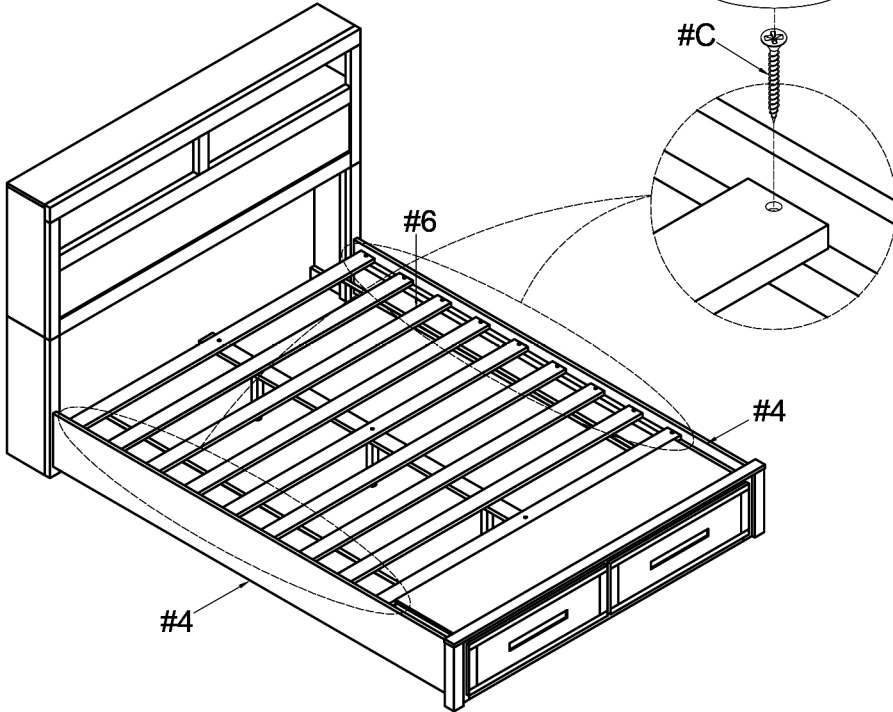




#6

#C x 18pcs

Place the slats (#6) onto the side rails (#4), then insert a screw (#C) into each end. Secure using a Phillips screwdriver.



#7

#C x 3pcs

Insert a total of 3 screws (#C) into the center of the slats (#6).

