

This product is designed for use as an aquarium or terrarium. It is not designed to place heavy objects on the top or for sitting or standing.

**ANY MODIFICATIONS MADE TO THIS PRODUCT WILL VOID THE WARRANTY AND MANUFACTURER'S LIABILITY!**

HELPFUL HINTS ON MAINTENANCE OF YOUR TABLE  
AQUARIUM

Your aquarium is a complete ecological system, one which requires care at periodic intervals. Place aquarium away from direct sunlight, as sunlight accelerates algae growth. If you need to place your Table Aquarium in direct sunlight, you will need to clean your tank more frequently. To increase more rapid growth of fish, make a 15%-20% water change every two months to promote better growth. Fish require water filtration so make sure your filter is running at ALL TIMES.

When the flow of water through the power filter begins to slow down significantly it is time to rinse the cartridge filter inside the power filter or replace the cartridge inside the center core.

***We Hope You Enjoy Many Years Of Pleasure With Your  
TABLE Aquarium!***

## MIDWEST TROPICAL INC.

3420 West Touhy Avenue, Skokie, IL 60076 USA  
847-679-6666; 800-775-6764

### IMPORTANT INSTRUCTIONS!!!

Please READ CAREFULLY Before Installing Your MODELS:

**670 (END TABLE) Capacity 15 Gallons**  
**675 Capacity 25 Gallons**  
**680 Capacity 28 Gallons**  
**O-100 Capacity 40 Gallons**  
**AQUA TABLE™ AQUARIUMS.**

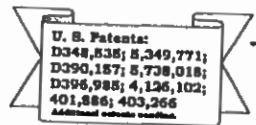
These aquariums are shipped complete in two cartons, containing all of the following equipment:

#### First Carton

Clear AQUARIUM (Tank Section)  
Black Acrylic BASE (With Access Panel Door)  
Aquarium Supplies including:  
See-Through Blue Glass Gravel  
Light Fixture with Bulb  
Corner Power Filter (Pump Filter Combination)  
Extension Cord (not included with Model 670)  
Plant Decorations

#### Second Carton

GLASS TOP



If you are missing a part, if product is not operating correctly, if you have questions as to the set-up and operation of this product, DO NOT RETURN IT TO THE PLACE OF PURCHASE. Contact Midwest Tropical Inc. directly who will be pleased to assist you promptly. Some of the extra equipment included carries its own individual warranty provided by their respective manufacturers.

4) Rinse Gravel thoroughly in a colander (Gravel is GLASS, and may have sharp edges!). Rinsing will remove any dirt and dust prior to it's introduction into the tank. Pour gravel CAREFULLY into tank section, covering all areas of the tank bottom with a thin layer of gravel. Excess gravel will block necessary light. Place the included Plant Decoration into the tank, anchoring the bases into the Gravel. You may wish to purchase additional plants or rock decoration at your local pet supply dealer.

5) Select The Correct Water Temperature!!!!  
 For Goldfish--Use slightly cool tap water (60 to 70 degrees)  
 For Tropical--Use room temperature tap water (76 to 78 degrees). Fill aquarium with tap water to approximately 2 inches from top.

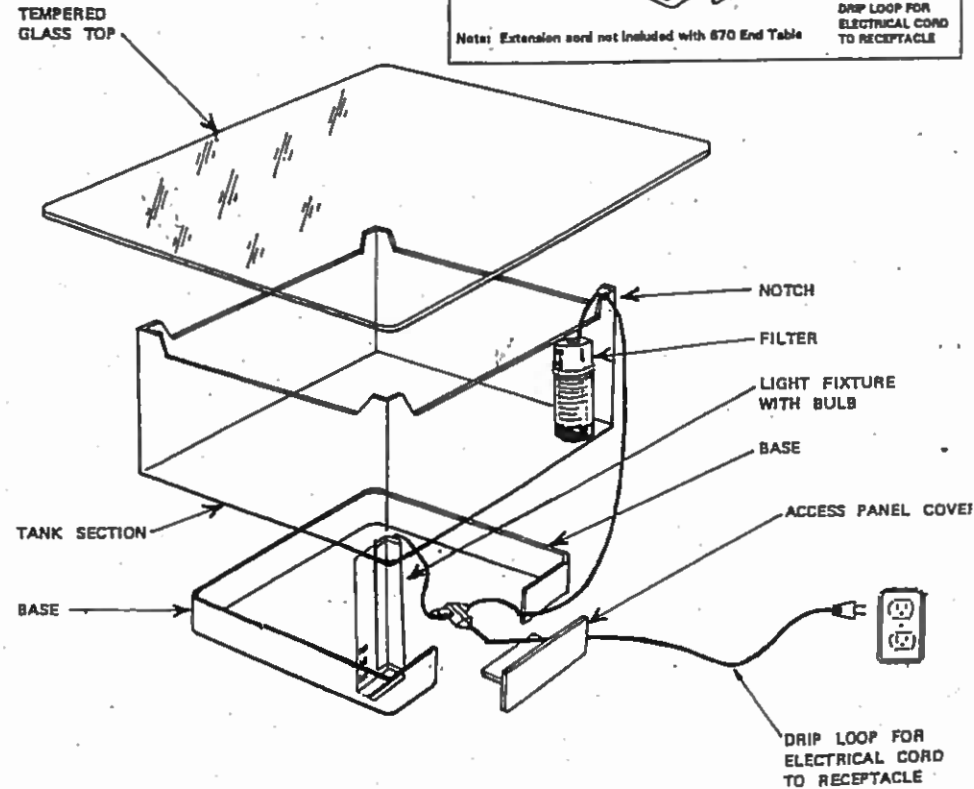
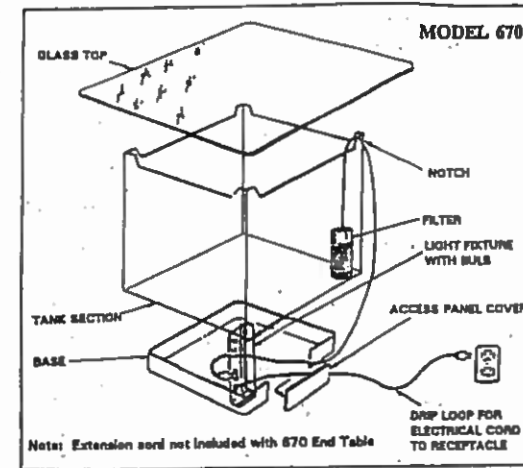
6) Plug both Light Fixture and Power Filter into the nearby wall outlet. Make sure that it is plugged in and that the filter is operating at all times.

7) Install the Access Panel Door into BASE in front of line cord opening.

8) Place GLASS TOP onto Tank Section, and enjoy your Aquarium.

**AQUA TABLES**  
 670 (END TABLE) Capacity 18 Gallons  
 675 Capacity 28 Gallons  
 680 Capacity 38 Gallons  
 O-100 Capacity 48 Gallons  
 AQUA TABLE™ AQUARIUMS

MODEL 675, O-100  
 AND 680



### IMPORTANT:

The Tank Section of your aquarium is acrylic, and can be cleaned with a soft cloth or soft aquarium sponge. Cleaning with any abrasive cleanser or pad will result in marring the finish. Do not use any soap or acrylic cleaner inside the tank section, as these are toxic to your fish. (Refer to acrylic cleaning kit on order form.)

The Glass Top may collect slight calcium deposits, depending on the hardness of your local water supply. This may be removed by using "Extra Fine" steel wool, recommended only for cleaning the glass top. NEVER use this on the acrylic of the Tank Section or Base Unit.

### IMPORTANT SAFETY INSTRUCTIONS

To avoid the possibility of the appliance plug or receptacle getting wet, position aquarium stand and tank to one side of a wall mounted receptacle to prevent water from dripping onto the receptacle or plug. A "drip loop" should be arranged by the user for each cord connecting an aquarium appliance to a receptacle. The "drip loop" is that part of the cord below the level of the receptacle or the connector if an extension cord is used, to prevent water traveling along the cord and coming in contact with the receptacle.

If the plug or receptacle does get wet, DON'T unplug the cord. Disconnect the fuse or circuit breaker that supplies power to the appliance. Then unplug and examine for presence of water in the receptacle.

- 1) Unpack all equipment and review with diagram. Position base flat on floor in desired location. Place light fixture inside of BASE with line cord through opening of base. This opening should be placed in the direction of the nearest wall outlet. Note, on some models the BASE is attached to the table.
- 2) Place AQUARIUM (Tank Section) right side up, on top of BASE unit. You will notice a small notch at the top of one corner of the Tank Section. The Tank Section should be placed on the BASE with this notch on the same side as the line cord opening.
- 3) Assemble Corner Power Filter per manufacturer's instruction. The power filter is very easy to maintain. Inside the unit is a filter cartridge that has a small amount of carbon inside. By placing carbon filter cartridge inside, it will insure odor free and crystal clear water with periodic water changes needed about once every 6-8 weeks. The filter cartridge can be rinsed out in the sink. It can be replaced periodically when needed (2 - 3 months) Refer to order form for additional cartridges. An adjustable spout on your power filter lets you control the flow rate of the water.

Place filter in corner with notch cut out. Filter should be placed one inch from bottom of aquarium. The power cord should then be directed through small notch with plug outside of aquarium.