

PATIO DINING CHAIR

ASSEMBLY MANUAL

Guide of Manual

- Thanks for your choice. We will do our best to provide customer service for everyone.
- Please check to make sure all parts are included as stated when you unpack. If there are parts missing or wrong, please contact us, we will expeditiously provide reissue accessories, compensation or other services.
- Instruction should be read carefully. But the manual may not cover every detail of all possible situations and steps. Please contact us if further information and help are needed. We will respond in a timely manner.

Warning

- It's kindly advised to assemble this product on a carpeted floor to protect it from being scratched.
- Small parts are included. Please keep the product away from children while assembling. Do not let children play or jump on the product. Do not stand on the item or use as a step ladder.
- Prior to use, please check to see if there's any loosening screw or part. Make sure that each screw and part is correctly installed and securely fastened.

Care and Maintenance

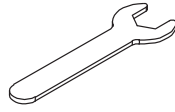
- Prior to use, please check to see if there's any loosening screw or part. Make sure that each screw and part is correctly installed and securely fastened.
- Use a soft, clean cloth that will not scratch the surface when dusting.
- This item could be cleaned with soap and water. Be sure to avoid harsh solvents and abrasives.
- Periodically (every 90 days) make sure the screws are fully tightened.

PARTS LIST

TOOLS REQUIRED



ALLEN WRENCH
(PROVIDED)



OPEN END WRENCH
(PROVIDED)



POWER DRILL
(NOT PROVIDED)

ASSEMBLY REQUIREMENT

NOTE!

The manual is an example
of assembling one chair.



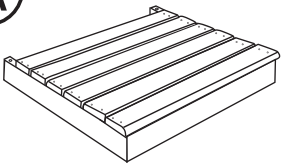
2PERSON
ASSEMBLY



UP TO 30 MIN.
ASSEMBLY

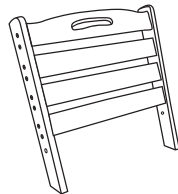
PARTS LIST

A



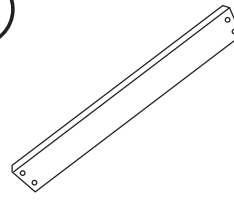
Seat Frame
1PC

B



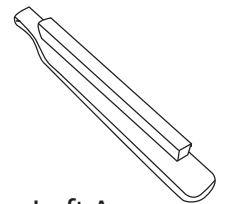
Backrest Frame
1PC

C



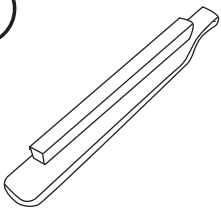
Seat Support Bar
1PC

D



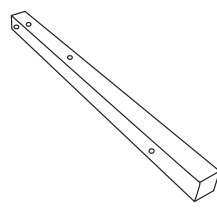
Left Arm
1PC

E



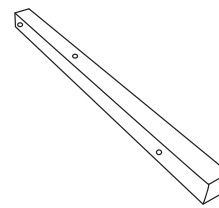
Right Arm
1PC

F



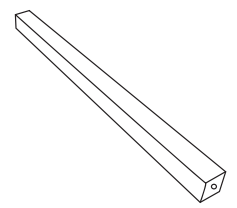
Back Leg
2PCS

G



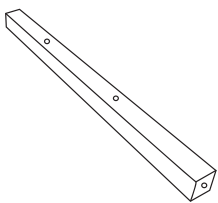
Front Leg
2PCS

H



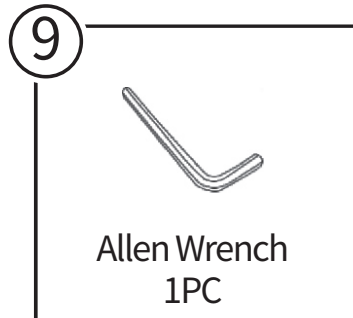
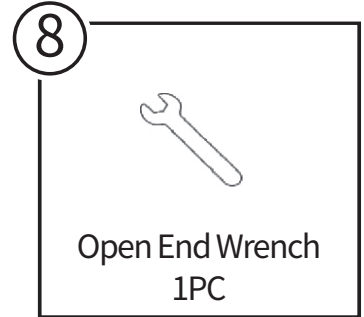
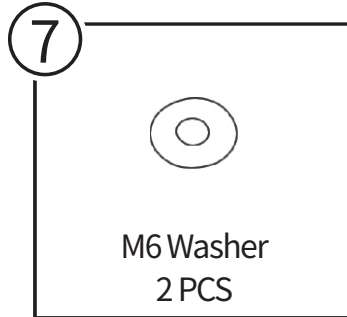
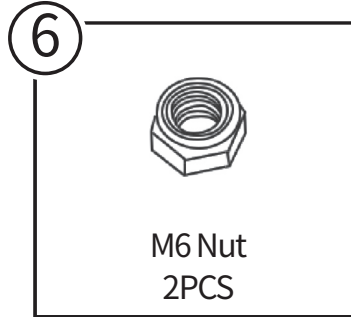
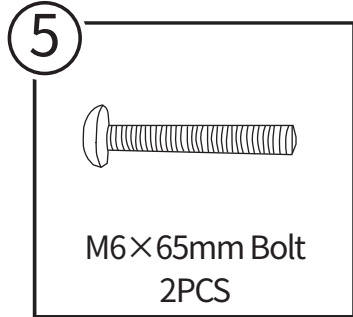
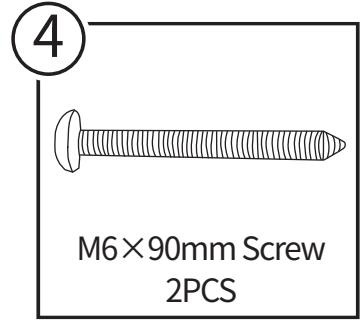
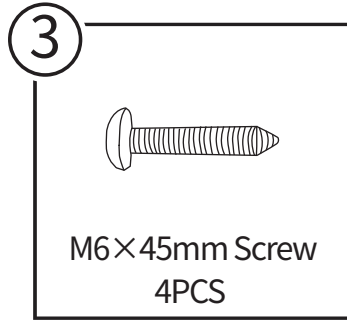
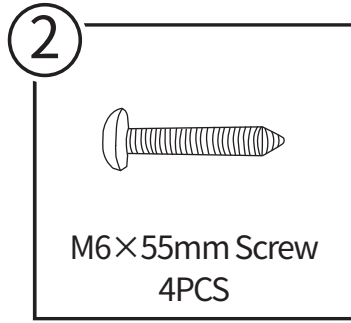
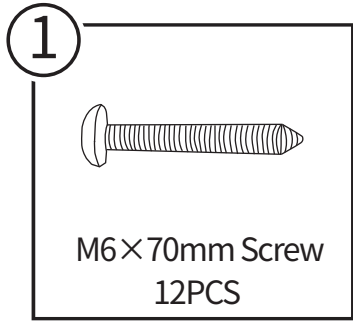
Cross Support Bar
2PCS

I



Leg Support Bar
2PCS

HARDWARE LIST

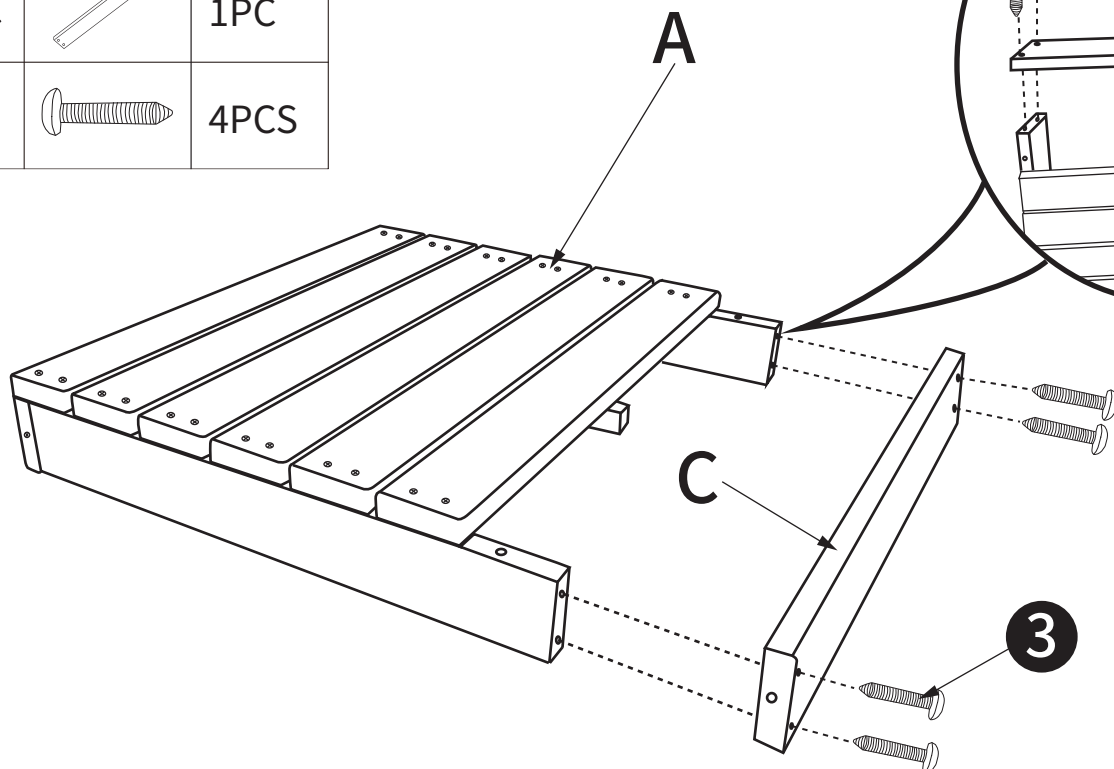
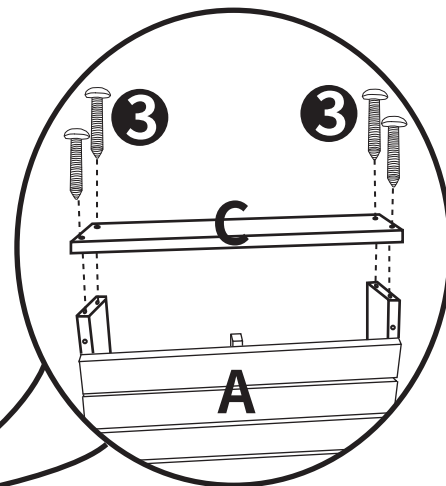


NOTE!

This icon means how tight the screws should be tightened. Please follow this icon to ensure the installation is complete.

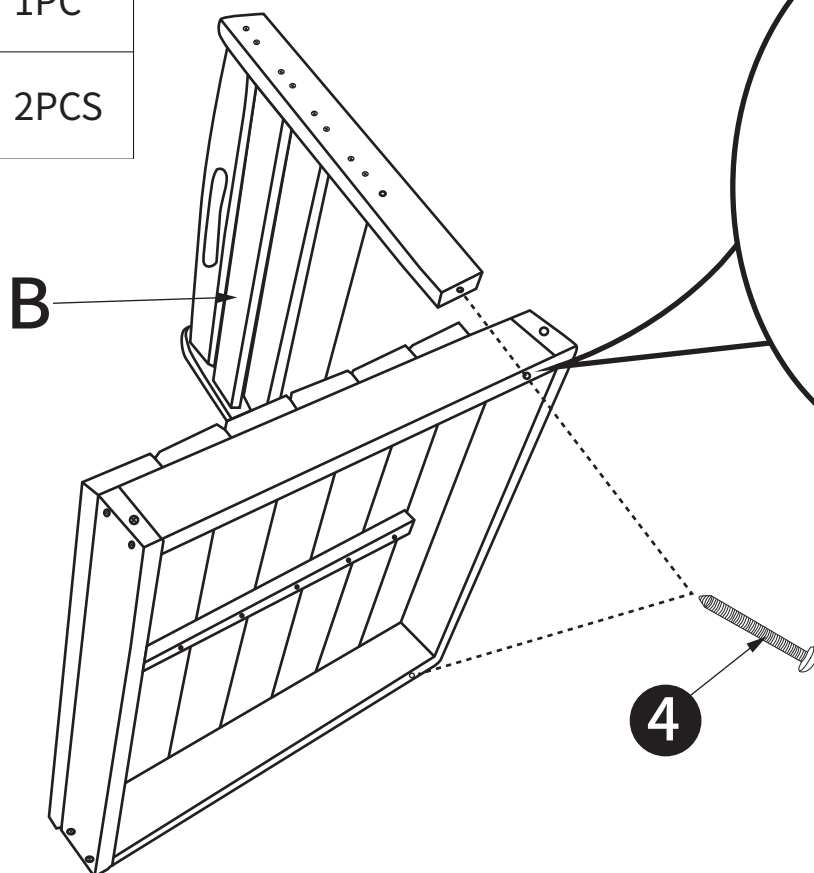
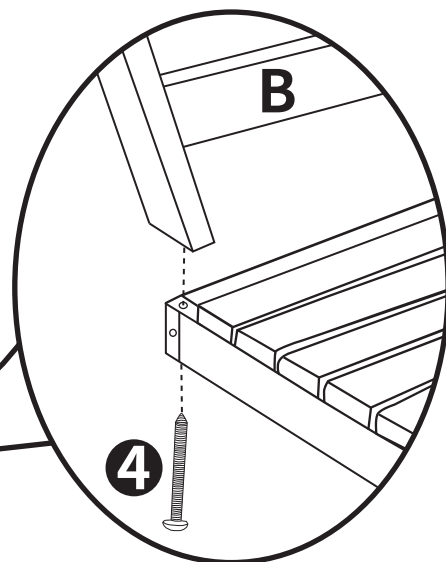
Step 1 Connect the seat support bar(C) and seat frame(A) with 4 PCS screws(3).

A		1PC
C		1PC
3		4PCS

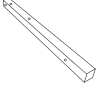
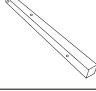






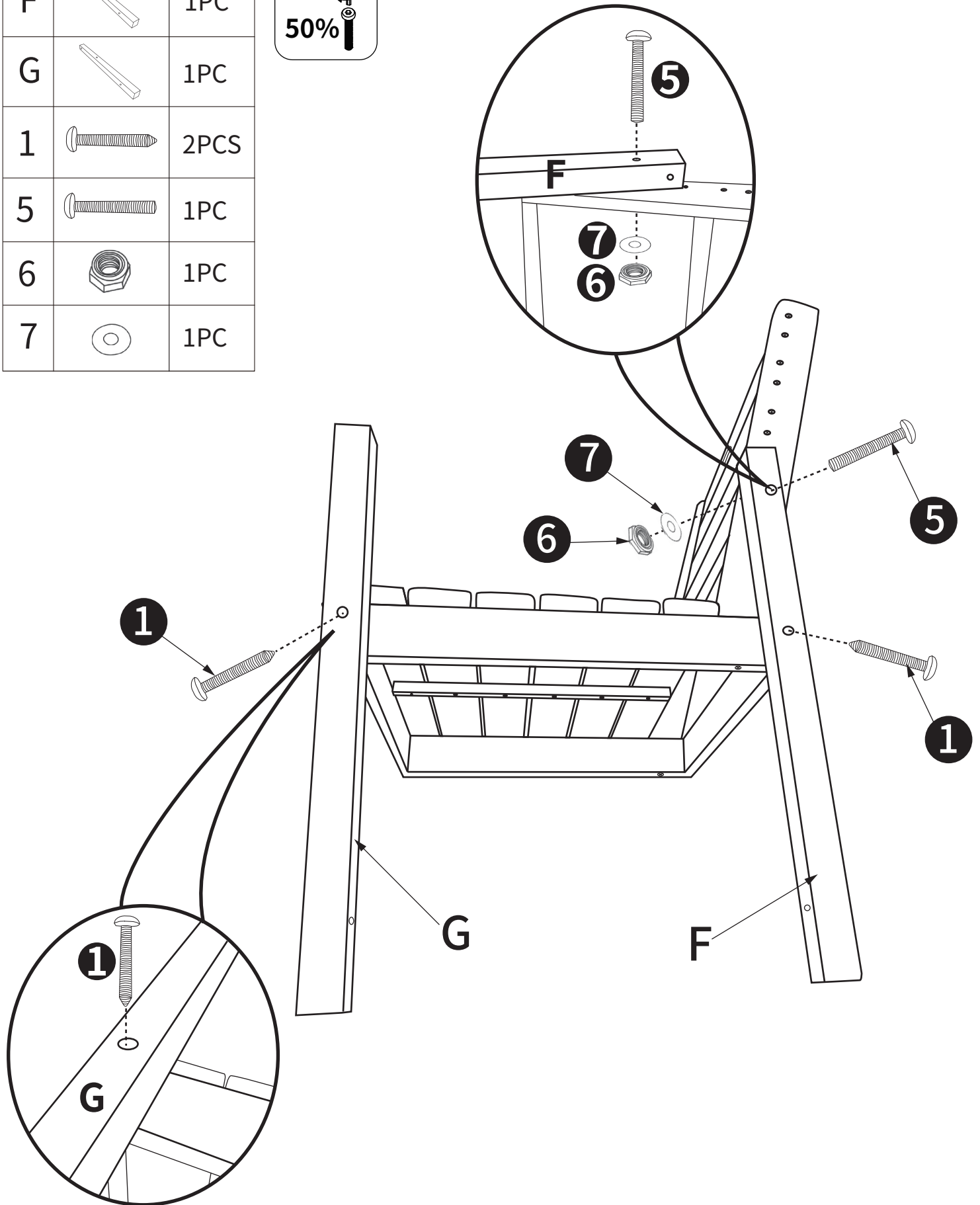
Step 2 Connect the backrest frame(B) to the seat frame with 2 PCS screws(4).

B		1PC
4		2PCS





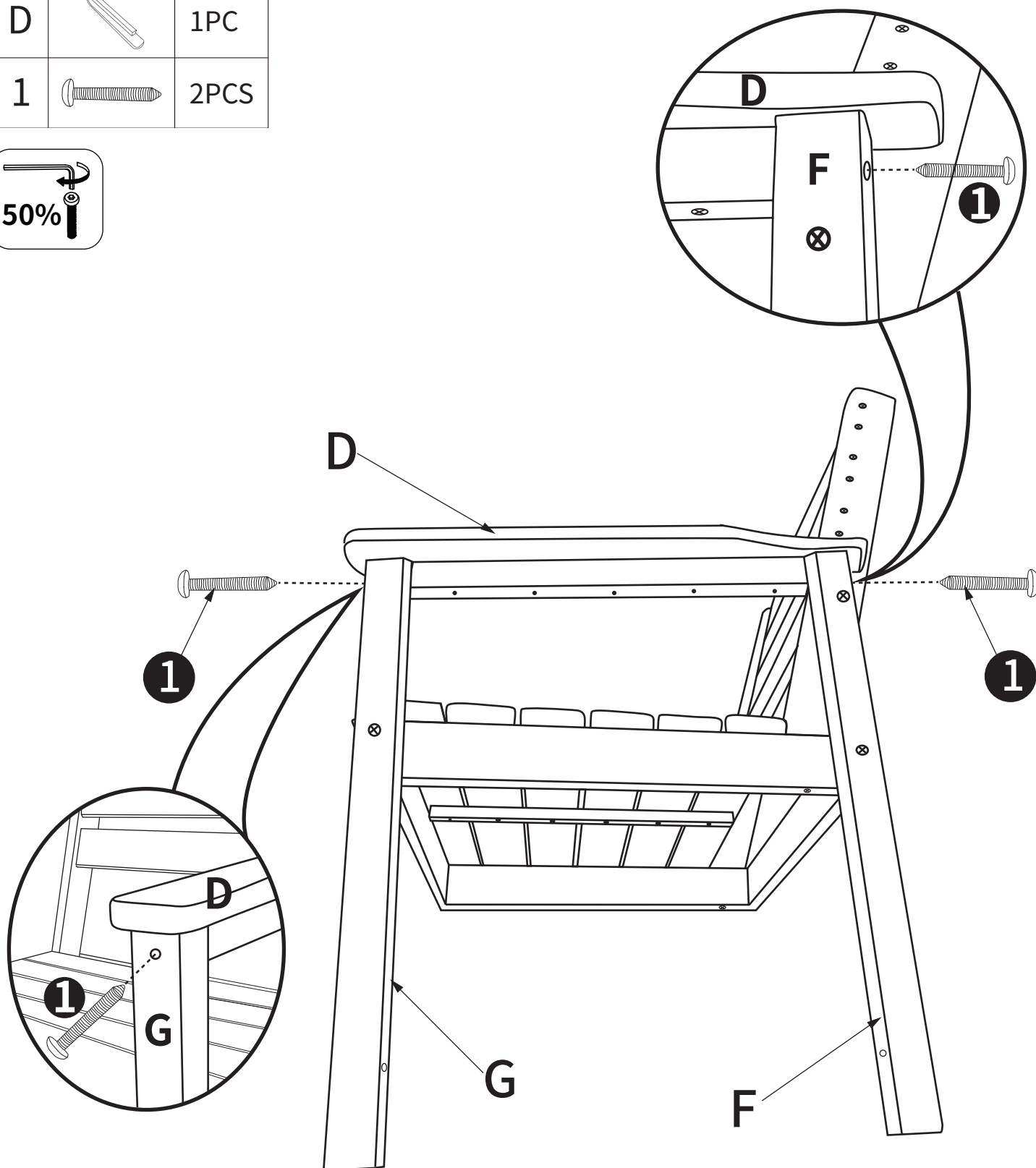
Step 3 Secure the front leg(G) and the back leg(F) to the chair with 2 PCS screws(1), 1 PC screw(5), 1 PC nut(6) and 1 PC washer(7).

F		1PC
G		1PC
1		2PCS
5		1PC
6		1PC
7		1PC

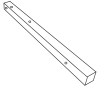
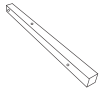






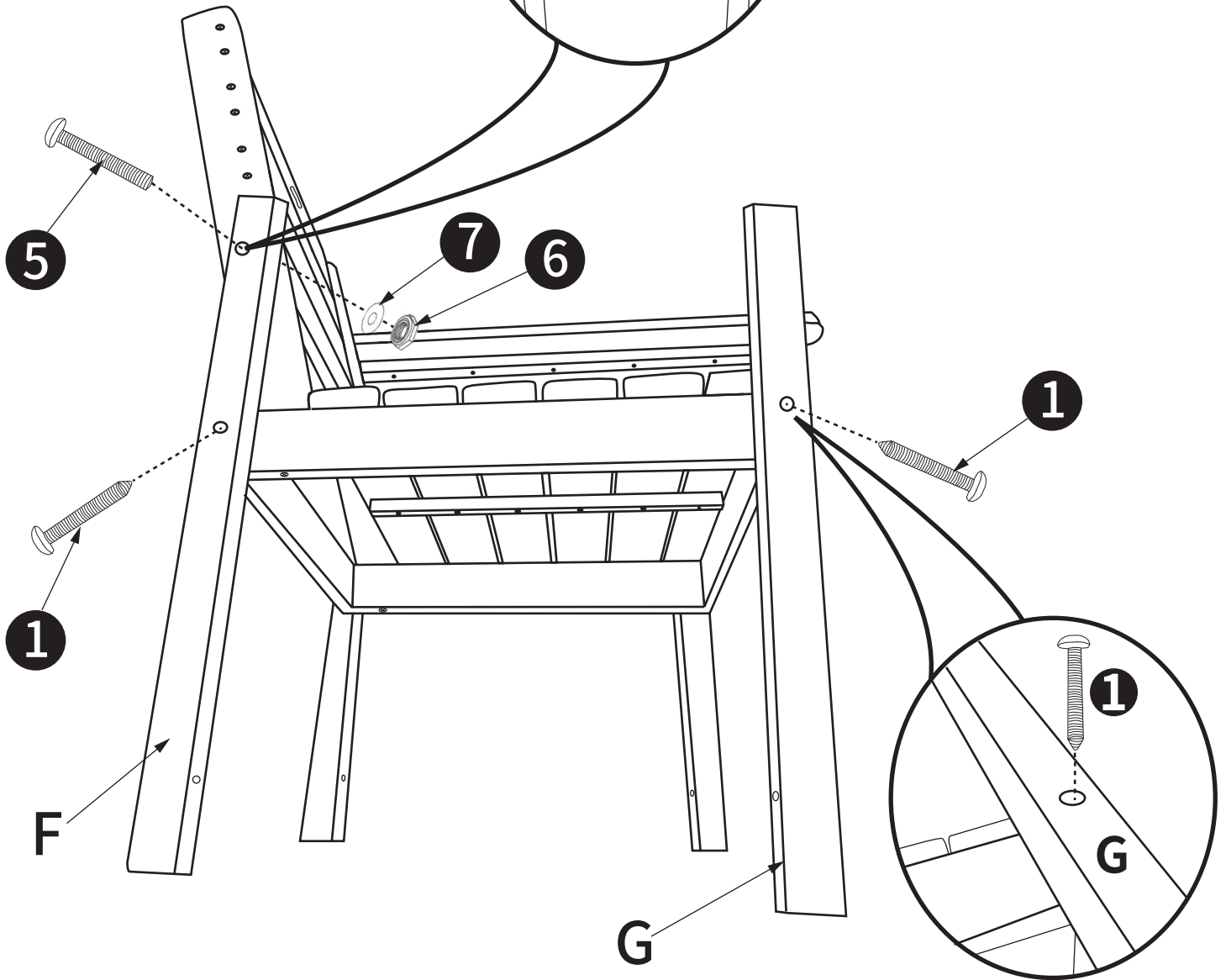
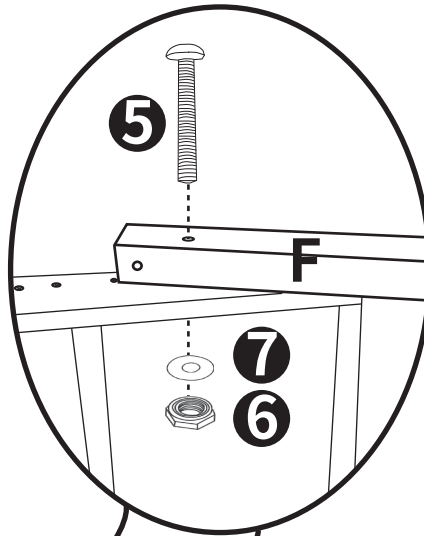
Step 4 Fix the left arm(D) to the legs with 2 PCS screws(1).

D		1PC
1		2PCS





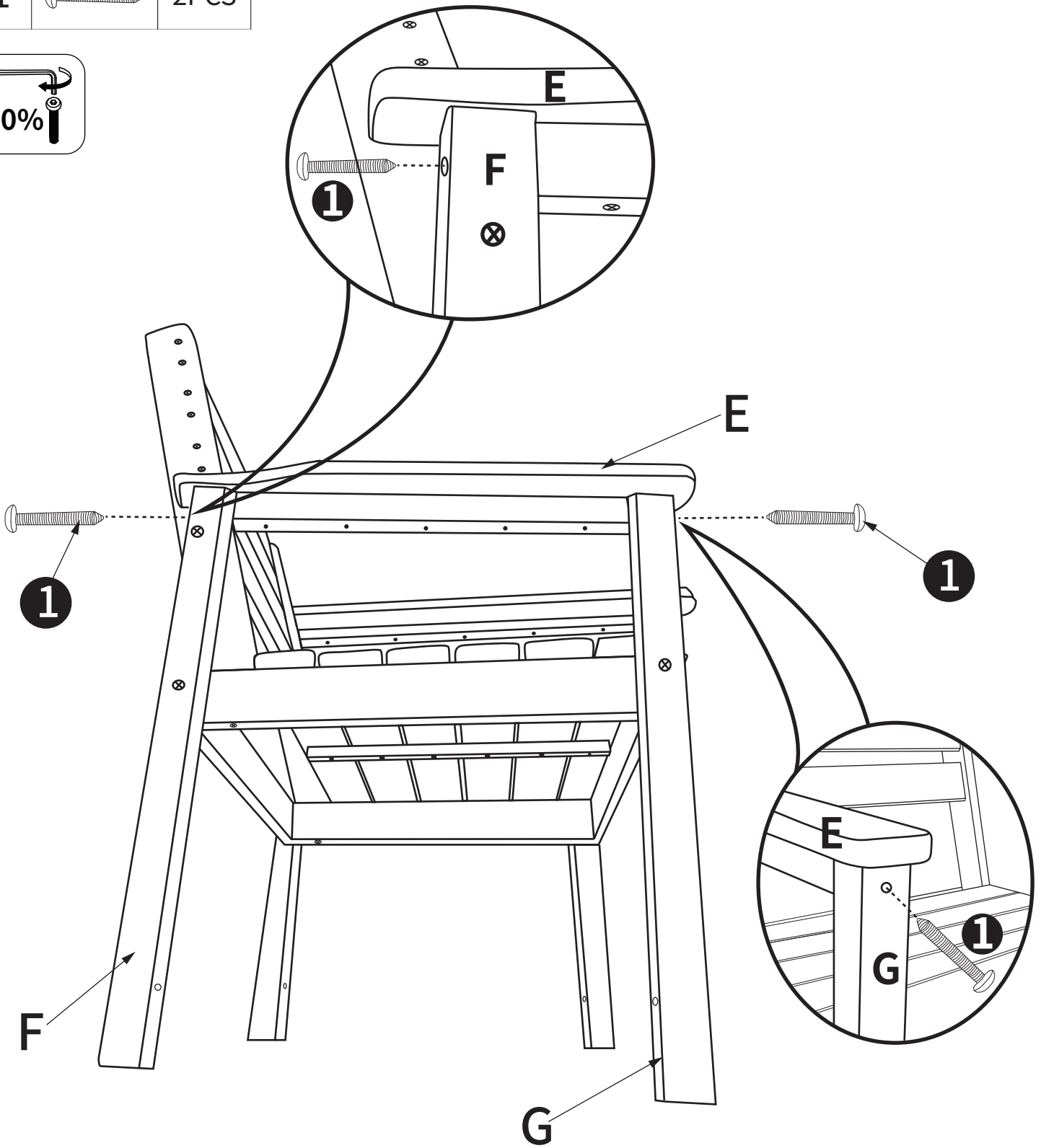
Step 5 Secure another front leg(G) and back leg(F) to the chair with 2PCS screws(1), 1PC screw(5), 1PC nut(6) and 1PC washer(7).

F		1PC
G		1PC
1		2PCS
5		1PC
6		1PC
7		1PC


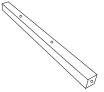



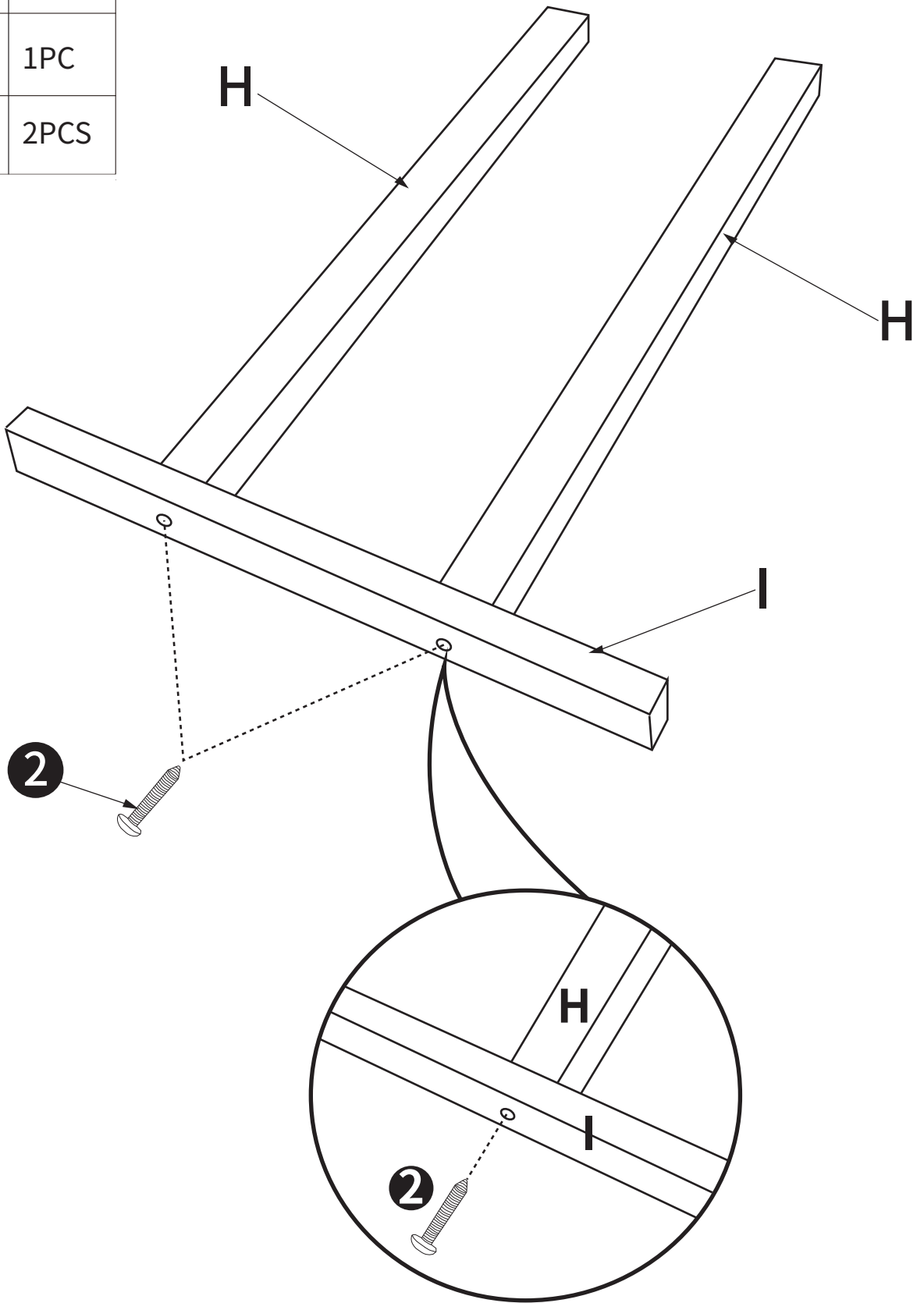
Step 6 Fix the right arm(E) to the legs with 2 PCS screws(1).

E		1PC
1		2PCS

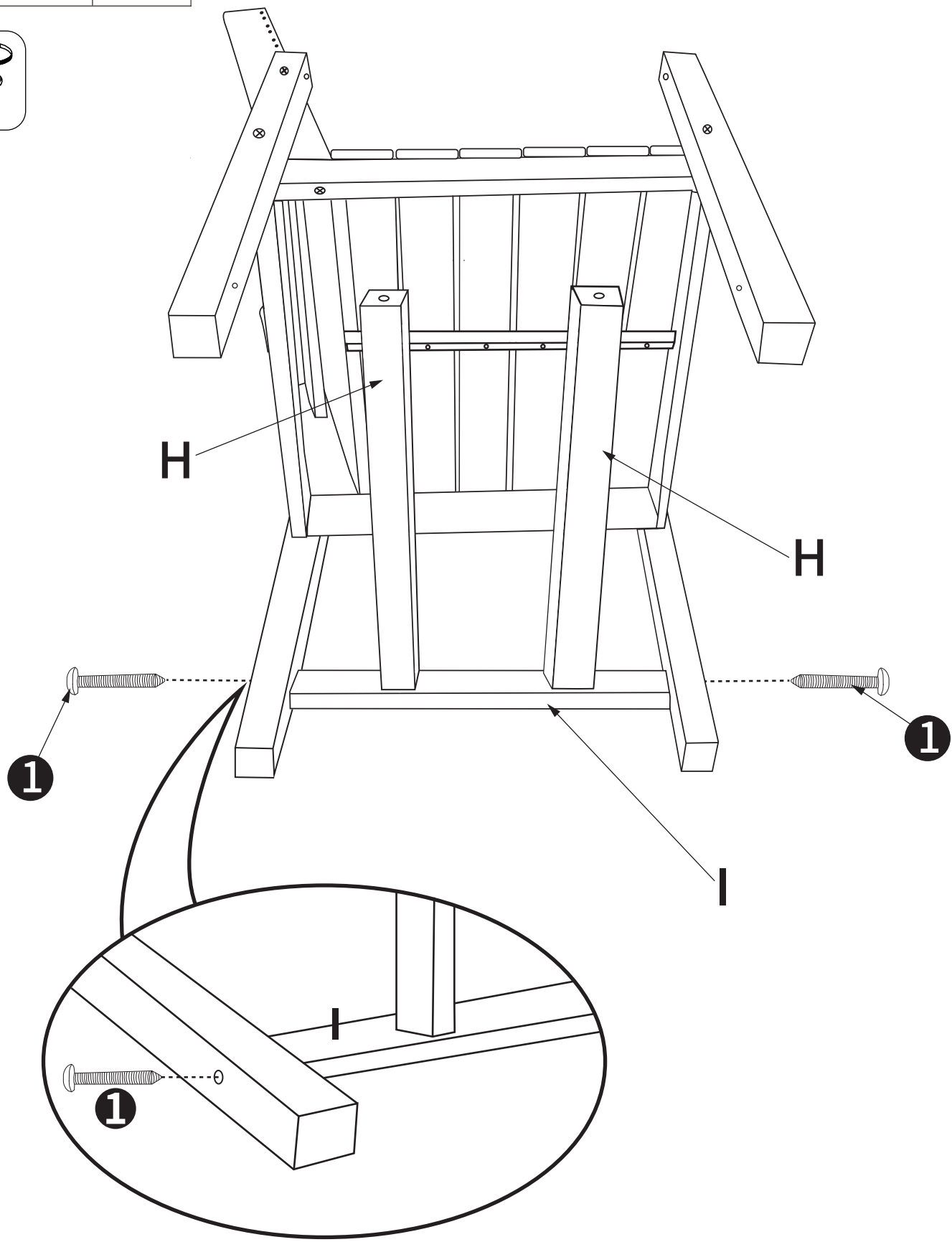
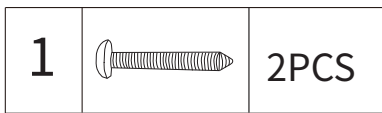


Step 7 Connect the leg support bar(I) to the cross support bar(H) with 2 PCS screws(2).

H		2PCS
I		1PC
2		2PCS

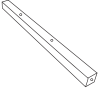




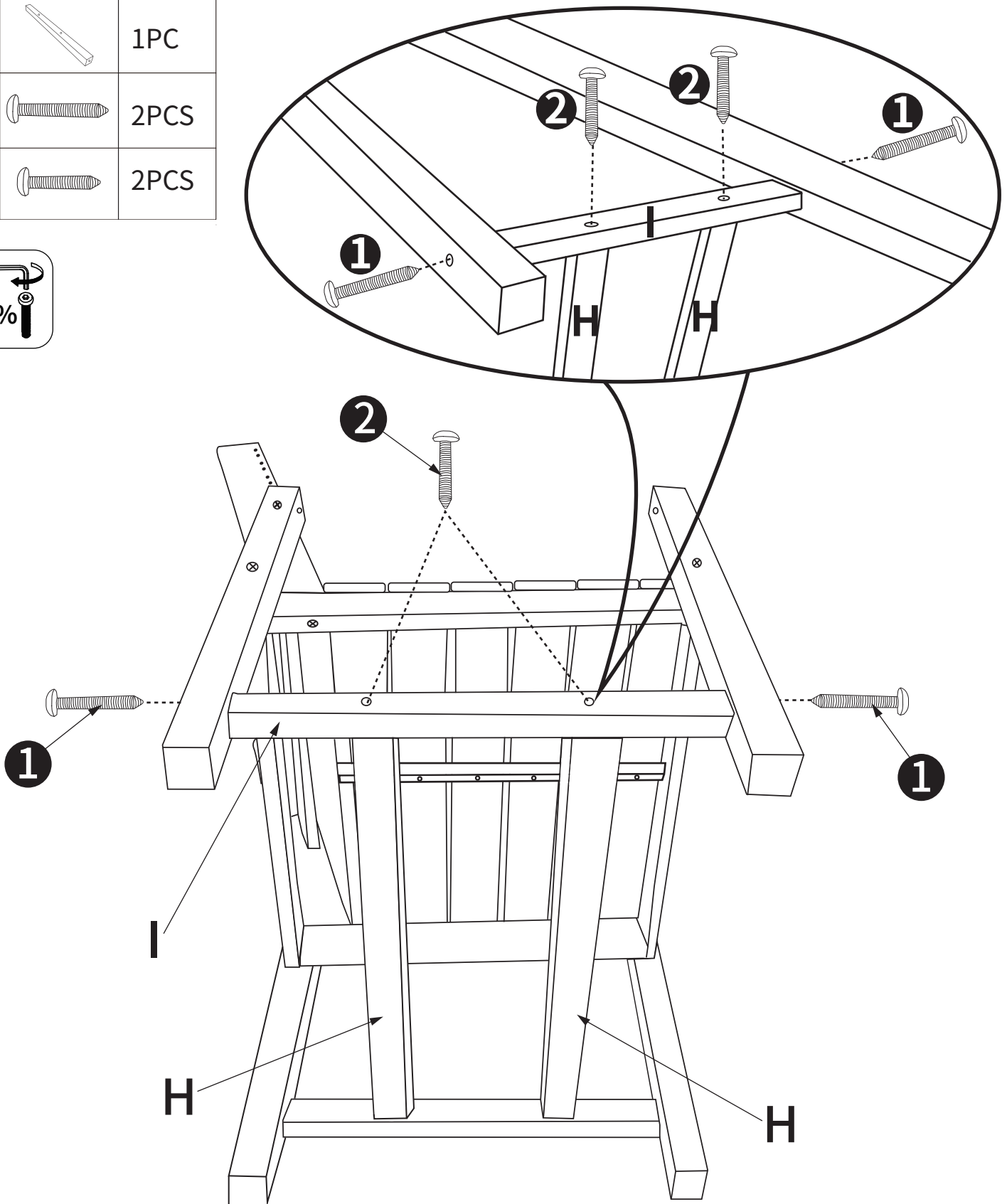
Step 8 Connect the bar group to the legs with 2 PCS screws(1).



Step 9

Connect another leg support bar(I) to the legs and cross support bar (H) with 2 PCS screws(1) and 2 PCS screws(2).

I		1PC
1		2PCS
2		2PCS



NOTE!

The installation is complete, please tighten all screws to 100% and enjoy your leisure time.