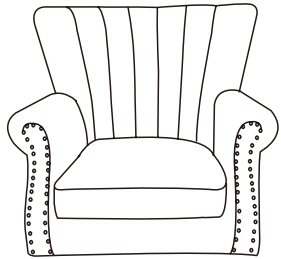
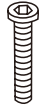


ASSEMBLY INSTRUCTION

A x 1

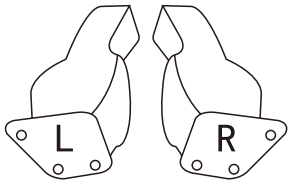


D x 14

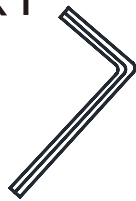


M6*20MM

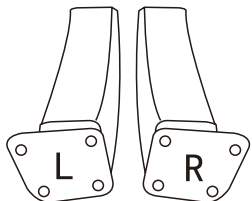
B x 2



E x 1



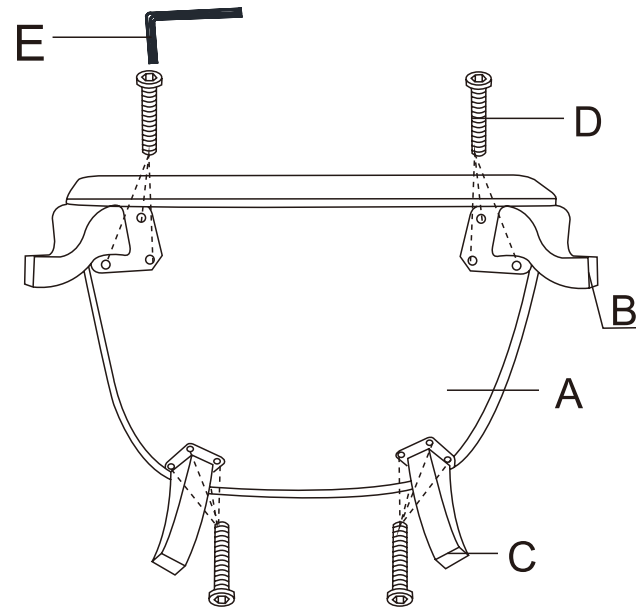
C x 2



F x 4



1



2

