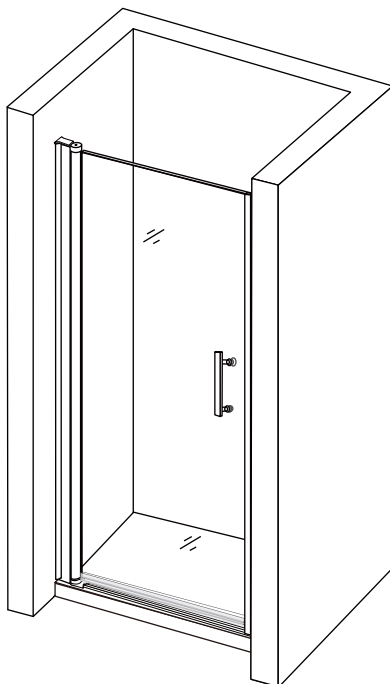


## INSTALLATION MANUAL

- ⚠ Before starting the installation, please take a few minutes to **READ THIS MANUAL CAREFULLY.**
- ⚠ Please check the product **CAREFULLY** for any visible damage.

### TINO

SHOWER DOORS : MVNSD6508MB34



# Important

To install your shower door unit, you must: (1) thoroughly read all instructions, warnings, cautions, and care and maintenance information; and (2) purchase the correct water supply components.

Inappropriate handling, incorrect installation of hardware and glass, or improper use of the product may result in breakage or personal injury, and may void the warranty.

Always wear safety equipment during installation, including goggles, work gloves, and closed-toed shoes.

# Table of Contents

<b>Important</b>	<b>2</b>
<b>Table of Contents</b>	<b>2</b>
<b>Warning</b>	<b>3</b>
<b>Care and Cleaning</b>	<b>3</b>
<b>Tools</b>	<b>4</b>
<b>Parts and Components</b>	<b>5</b>
<b>Parts List</b>	<b>6</b>
<b>Model Specific Preparation</b>	<b>7</b>
<b>Reversible</b>	<b>8</b>
<b>Left-hand Door Installation</b>	<b>9-21</b>
<b>Right-hand Door Installation</b>	<b>22-34</b>
<b>Troubleshooting</b>	<b>35</b>

## Warning

- ⚠ Tempered safety glass is designed to shatter into thousands of microscopic pieces when broken, significantly reducing the likelihood of severe bodily injury.
- ⚠ Prior to installation, inspect the glass and hardware thoroughly for any damage. Do not install glass that is broken. Do not install glass panels that have been dropped on, or bumped into any surface harder than itself.
- ⚠ Inappropriate handling may result in breakage. While incredibly resistant to direct impact, corners and edges are the most susceptible to damage and disintegration. These edges must be protected and handled with care, never coming into contact with materials harder than itself, including tile, stone, metal, or even other glass. Glass can be shattered by concentrated point of impact of contact with such material. Vibration and normal use may cause the discharge of tempered glass all at once or in stages, hours or even days later.
- ⚠ Failure may result from improper installation of hardware, roller, stoppers, or glass.
- ⚠ Never attempt to cut tempered glass.

### NOTE:

- The difference in width between the top and bottom of the wall must not exceed 5/8".
- Cover tub or shower drain with rag or tape to avoid loss of small parts.
- Follow the silicone manufacturer's instructions for application and curing time.

## Care and Cleaning

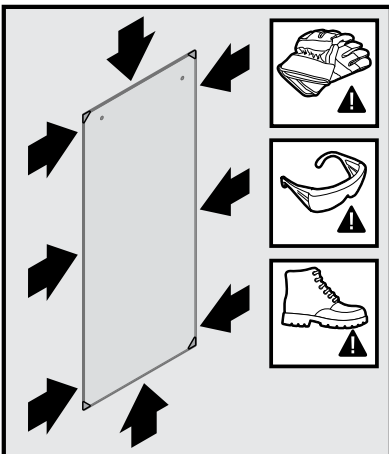
For regular cleaning use **ONLY** mild detergents or warm, soapy water. Use **ONLY** non-abrasive cloth or sponge. **ALWAYS** rinse surfaces after cleaning. Before cleaning this product with cleaning products, test a small, inconspicuous area.

**CAUTION:** Manufacturer does not recommend the use of cleaning products that contain any of the following chemicals. Use of products containing these chemicals can cause the products to discolor and will void the warranty.

- Naphtha
- Hydrogen Peroxide Solution (common household peroxide)
- Toluene
- Ethyl Acetate
- Lye (common in drain cleaner)
- Acetone

For optimal maintenance it is recommended that the glass panels be squeegeed on a regular basis after the shower is used.

For further inquiries, contact customer service at [support@morvano.com](mailto:support@morvano.com). Professional installation service can be provided.



**BEFORE BEGINNING YOUR INSTALLATION,** fully inspect the edges and corners of your glass panels for any nicks, chips or scratches which might have occurred during the transportation of your glass panels. If you see any wear or damage to your glass panels contact [support@morvano.com](mailto:support@morvano.com).

### ⚠ CAUTION

Installing glass panels with any nicks, chips or scratches may result in personal injury, property damage, or product failure.

# Tools



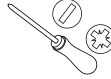
**Level**



**Tape Measure**



**Pencil**



**Phillips Screwdriver**



**Silicone**



**Power Drill**



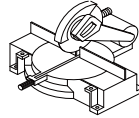
**Drill Bit  
Ø1/4"**



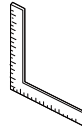
**Drill Bit  
Ø1/8"**



**Soft Head Hammer**



**Miter saw**



**Square**



**Soft Cloth  
or Blanket**



**Safety Glasses**



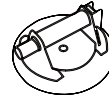
**Work Gloves**



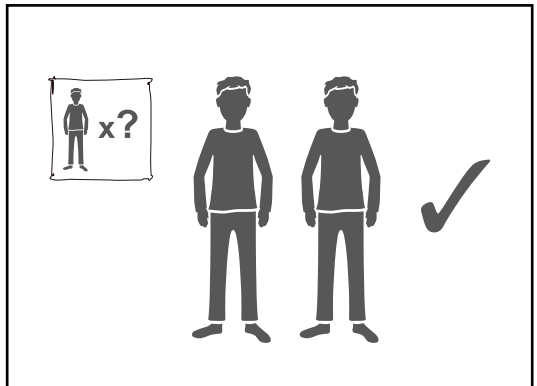
**Hacksaw**



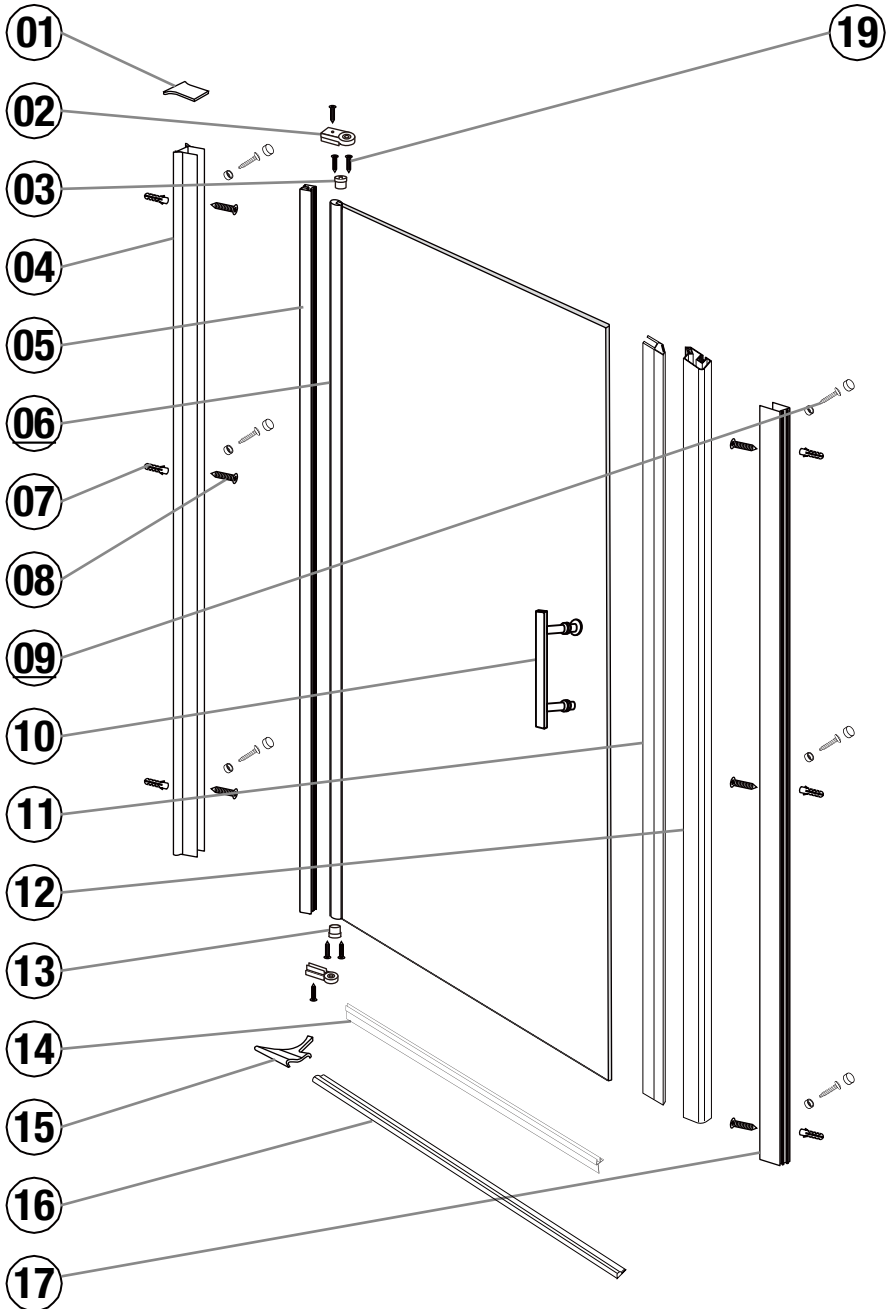
**Razor Knife**




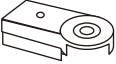

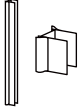
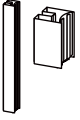



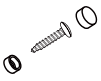
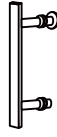
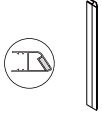
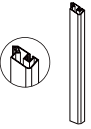



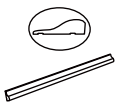
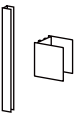

**Professional-grade  
Glass suction cup**



# Parts and Components



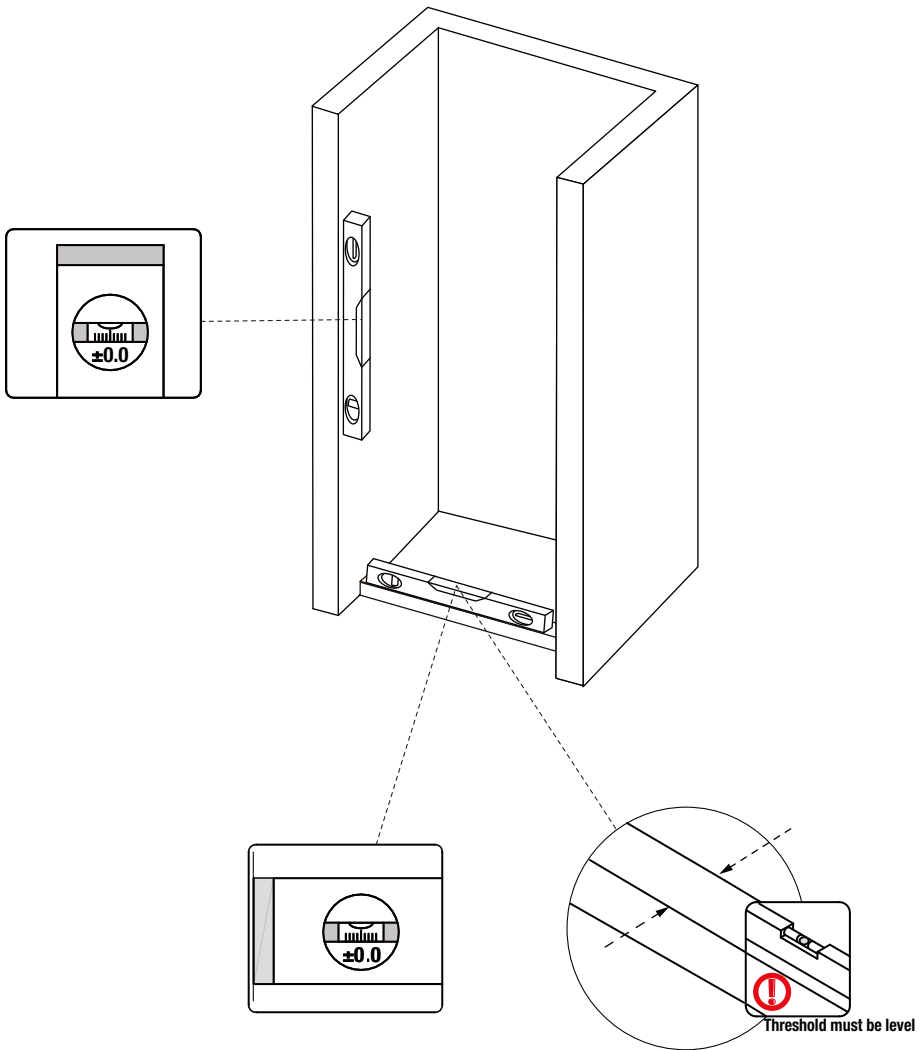
# Parts List

<p>01</p>  <p>Top Cover Cap x1</p>	<p>02</p>  <p>Trim Cover x2</p>	<p>03</p>  <p>Spindle Connector x1</p>	<p>04</p>  <p>Wall Jamb x1</p>
<p>05</p>  <p>Wall Jamb x1</p>	<p>06</p>  <p>Glass Door x1</p>	<p>07</p>  <p>Wall Anchor x6</p>	<p>08</p>  <p>Screw M4x30 x8</p>
<p>09</p>  <p>Screw with Cap x6</p>	<p>10</p>  <p>Handle x1</p>	<p>11</p>  <p>Magnetic Strip x1</p>	<p>12</p>  <p>Door Guide x1</p>
<p>13</p>  <p>Spindle Connector x1</p>	<p>14</p>  <p>Bottom Seal x1</p>	<p>15</p>  <p>Bottom Seal Fixing x1</p>	<p>16</p>  <p>Drip Shield x1</p>
<p>17</p>  <p>Wall Jamb x1</p>	<p>19</p>  <p>Screw M4x30 x4</p>		

## Model Specific Preparation

Verify the threshold and walls with a level.

If the walls are uneven, this product can accommodate up to 5/8" on the door side for out-of-plumb installation.

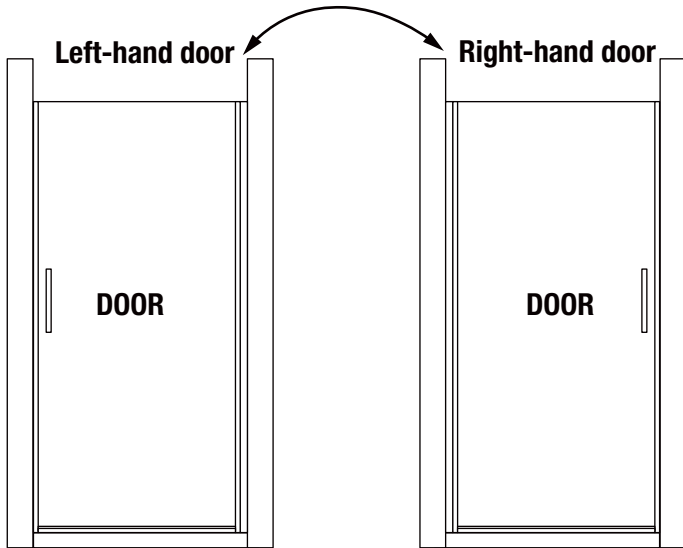


# Reversible

## NOTE

This model is reversible for right or left-hand door installation. For left-hand door installation, please refer to P9-P21, for right-hand door installation, please refer to P22-P34.

Shower Door



P9 - P21

P22 - P34

**CAUTION!**

TWO PERSON  
LIFT REQUIRED

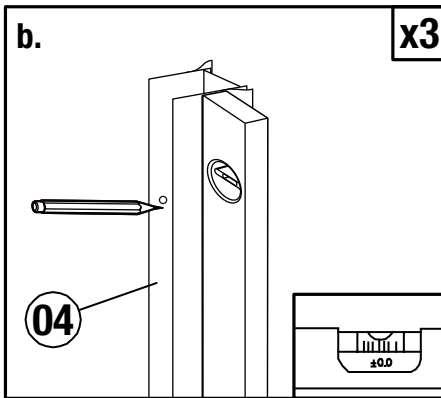
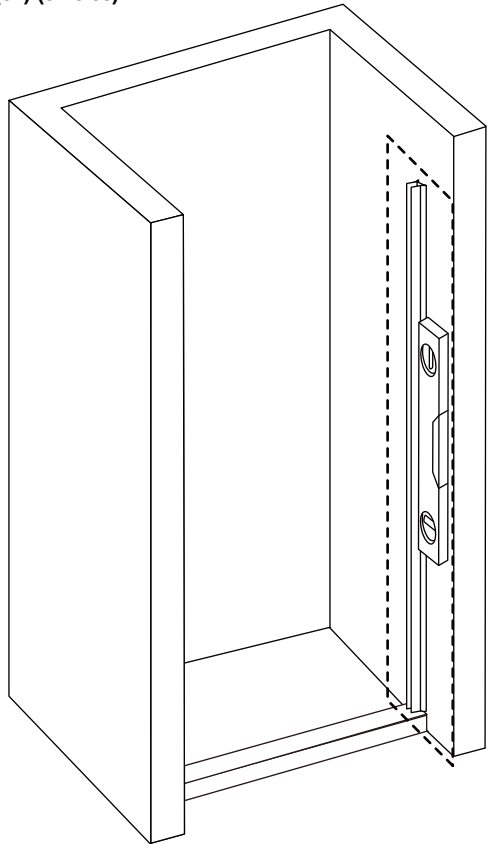
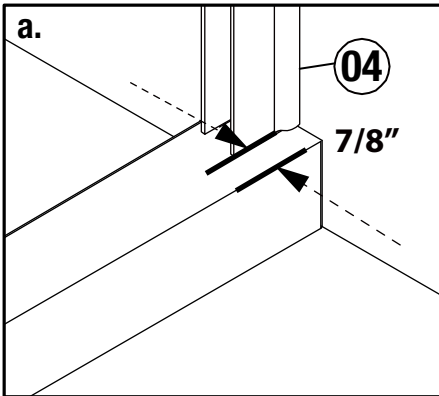


## Wall Jamb (04) Installation

**NOTE**

Left-hand door installation shown. For right-hand door installation, please refer to P22-P34.

Place the Wall Jamb (04) on the right side, mark down the predrilled position of the Wall Jamb (04) (3 holes).

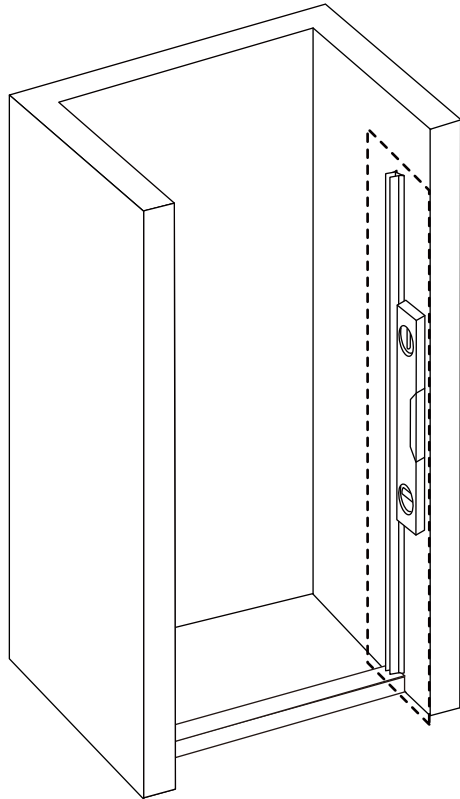
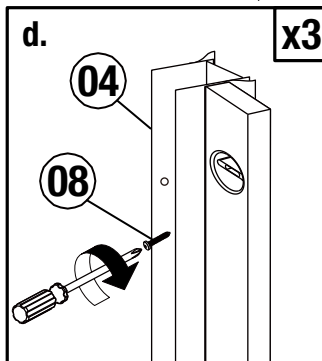
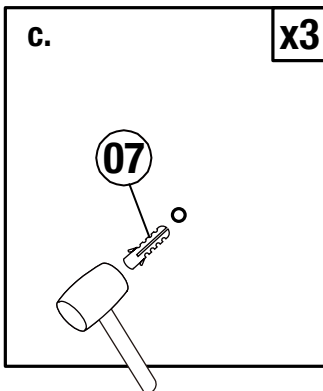
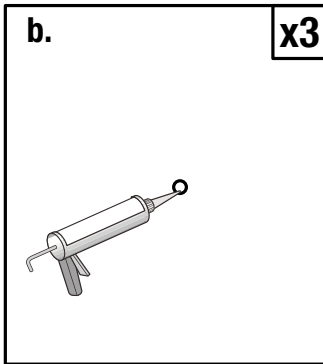
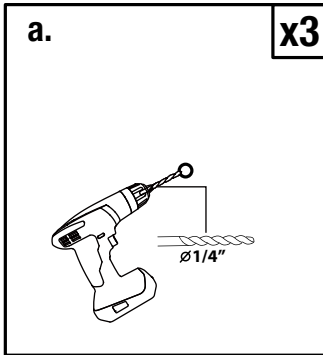


**NOTE**

Place the Wall Jamb(04) with the hole facing in.

## Wall Jamb (04) Installation

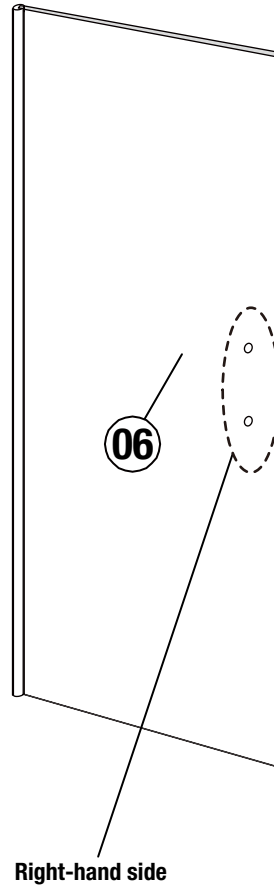
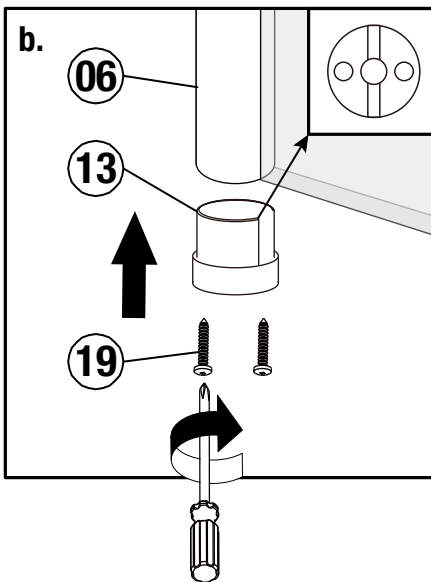
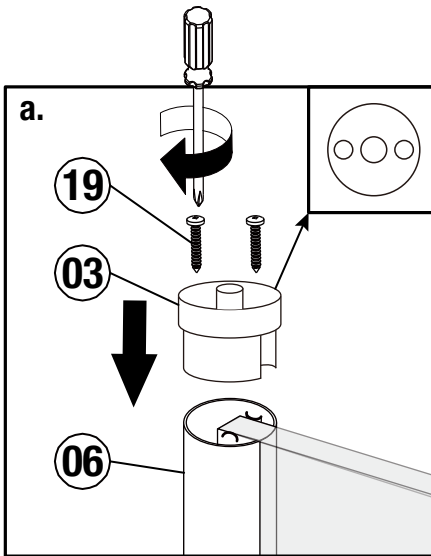
Drill the hole with 1/4" drill bit, add silicone then insert the anchor.  
Secure the Wall Jamb with M4\*30 Screws (08).



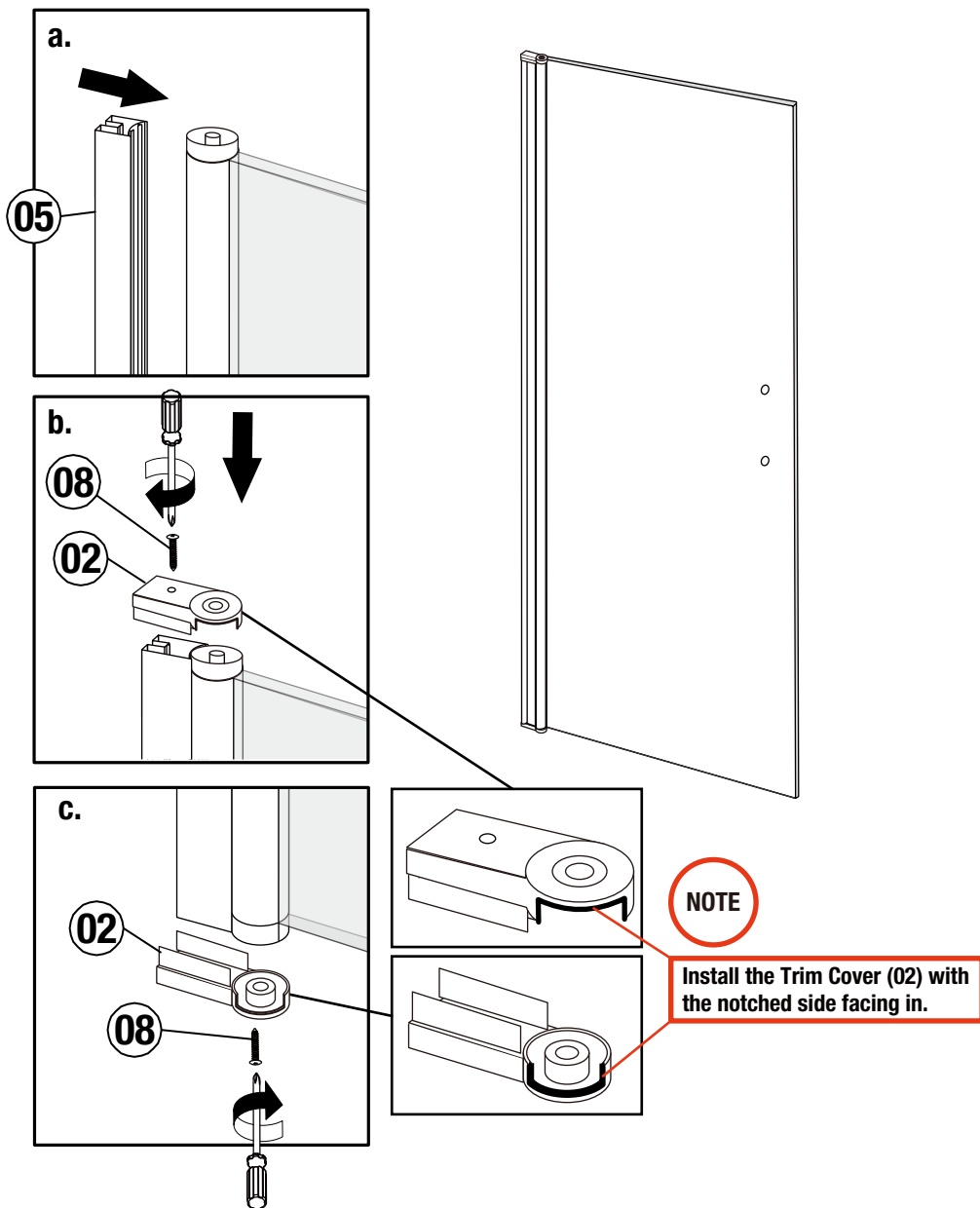
**NOTE**

**Install the Wall Jamb(04)  
with the hole facing in.**

## Spindle Connector (03 & 13) Installation

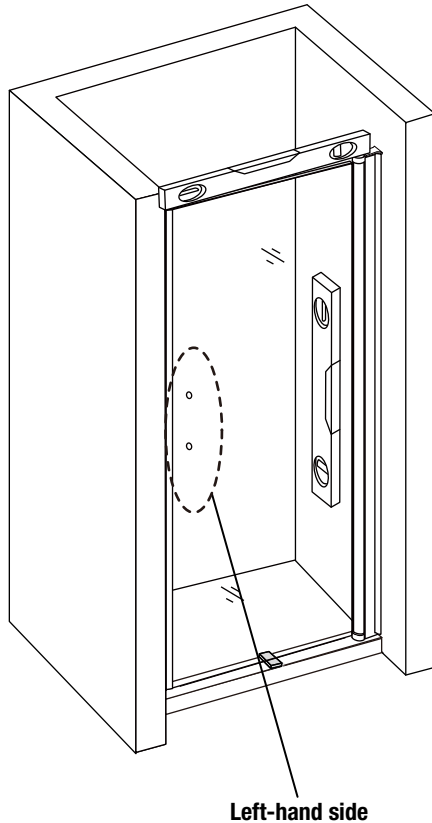
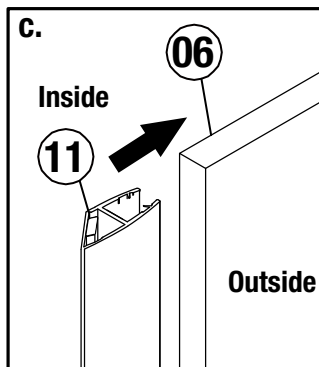
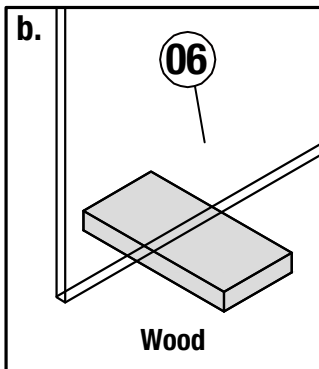
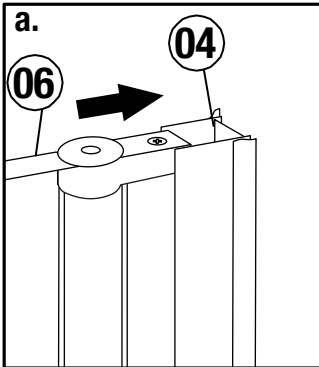


## Wall Jamb (05) and Trim Cover (02) Installation



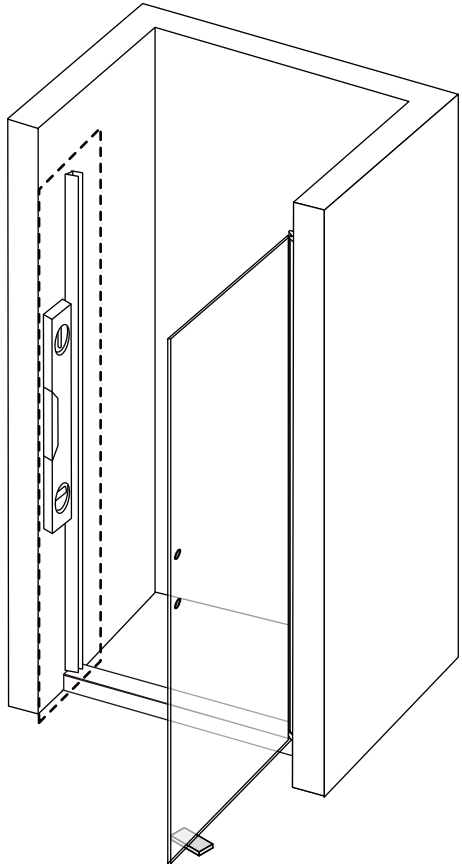
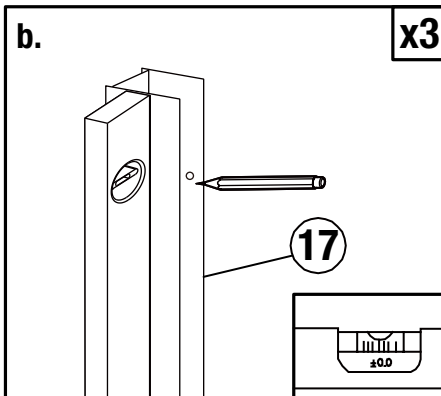
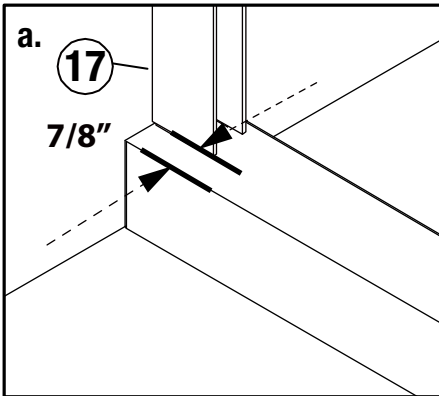
## Magnetic Strip (11) Installation

Install the Glass Door Panel (06) into the Wall Jamb (04), place a wood block to ensure proper spacing, make sure the glass panel is level, then install the Magnetic Strip (11) on the glass panel.



## Wall Jamb (17) Installation

Place the Wall Jamb (17) on the left side, mark down the predrilled position of the Wall Jamb (17) (3 holes).

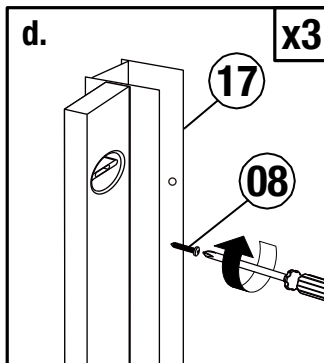
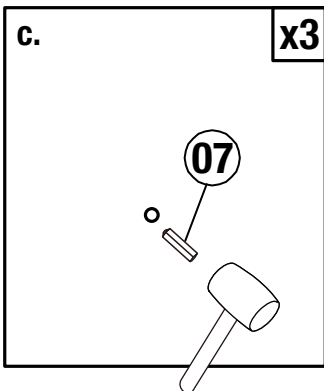
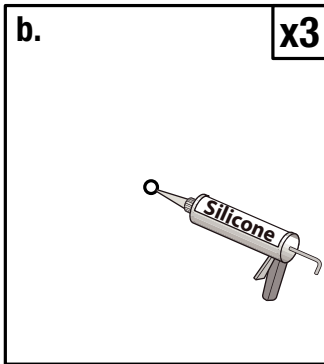
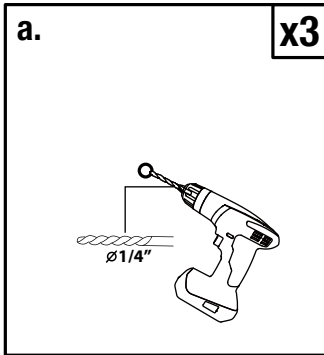


**NOTE**

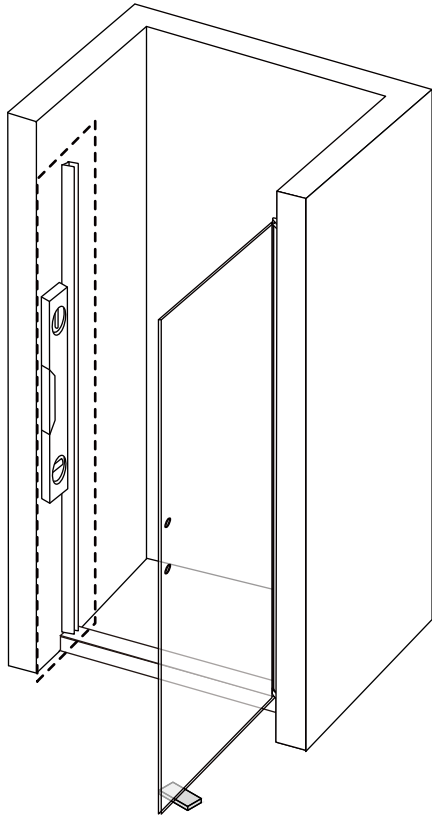
Place the Wall Jamb(17)  
with the hole facing in.

## Wall Jamb (17) Installation

Drill the hole with 1/4" drill bit, add silicone then insert the anchor.  
Secure the Wall Jamb with M4\*30 Screws (08).

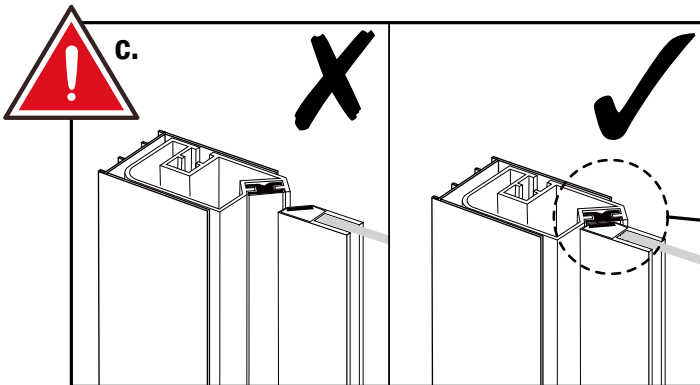
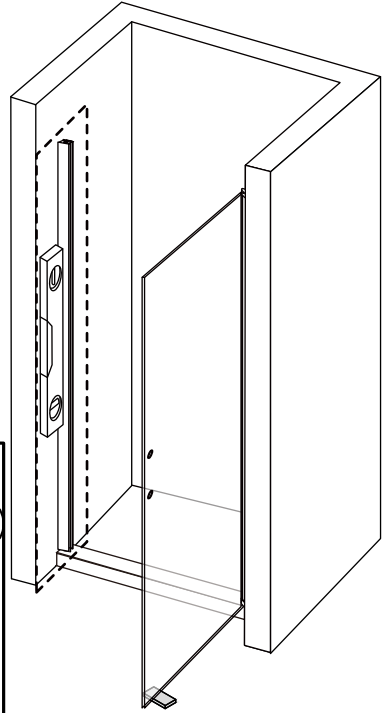
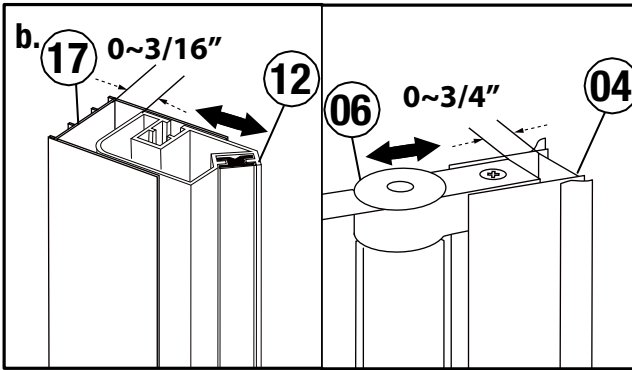
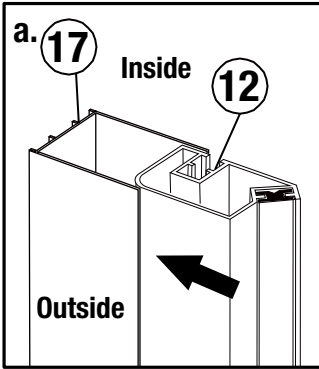


**Install the Wall Jamb(17)  
with the hole facing in.**



## Door Guide (12) Installation

Install the Door Guide (12) into the Wall Jamb (17), the Door Guide can be adjusted up to 3/16" within the Wall Jamb for overall width adjustment.

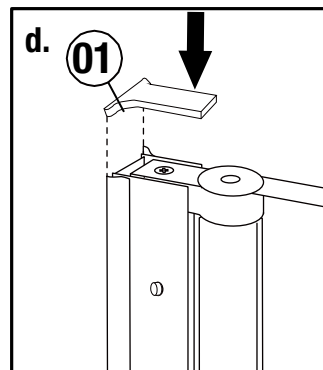
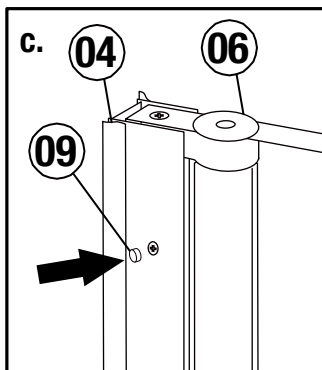
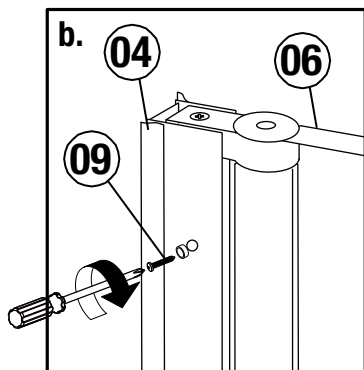
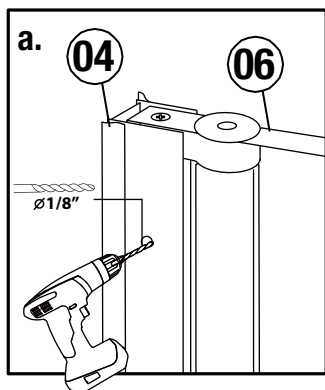
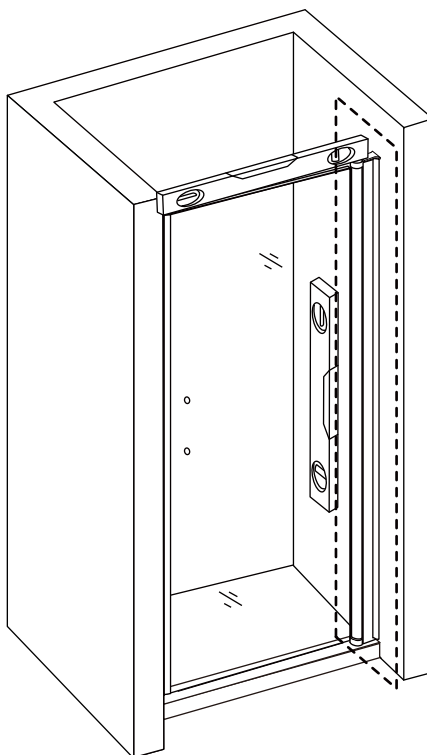
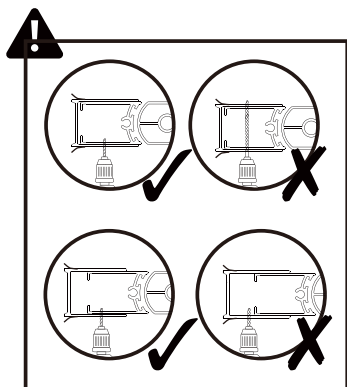


NOTE

No Gap.

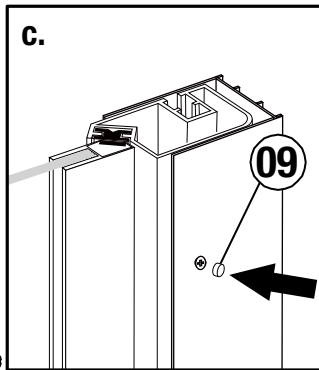
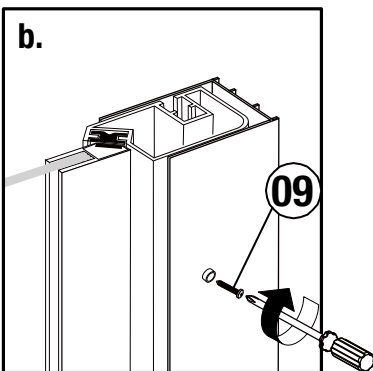
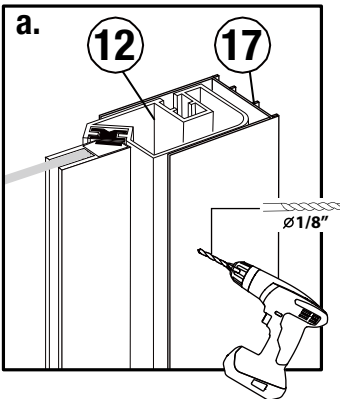
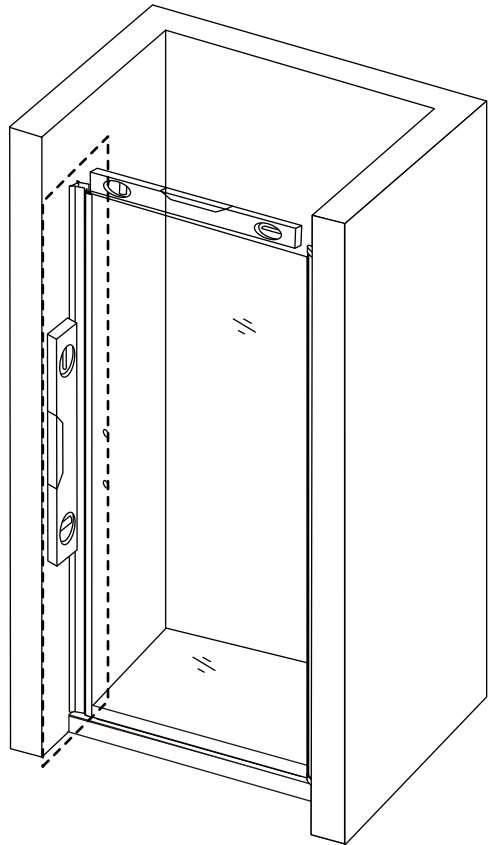
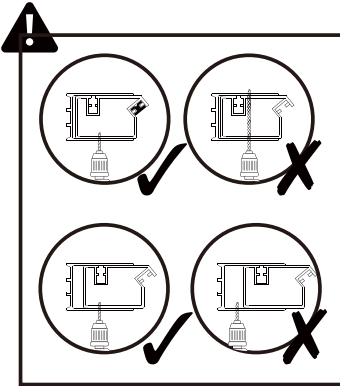
## Adjust and secure Wall Jamb (04) and Glass Door (06)

Use Screws (09) to secure the Glass Door (06) and Wall Jamb (04) then install the screw decorative cap (09) and Top Cover Cap (01).



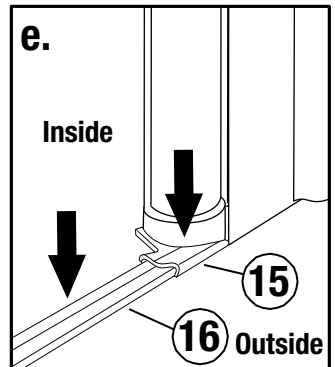
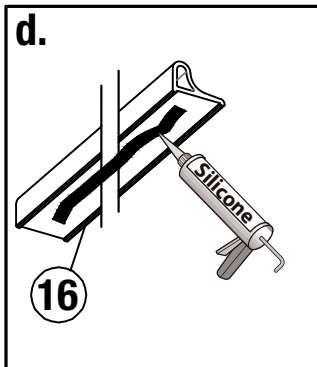
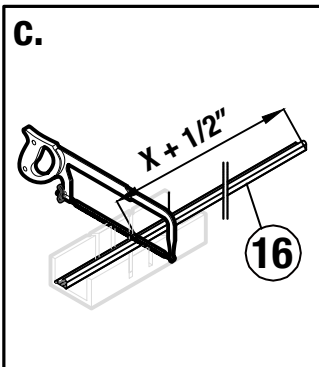
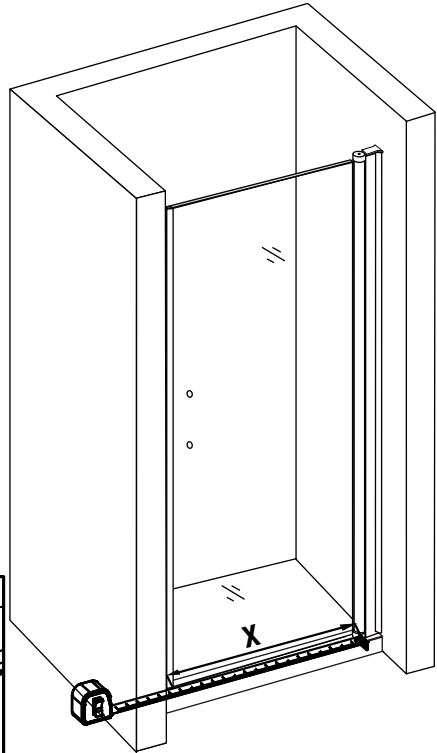
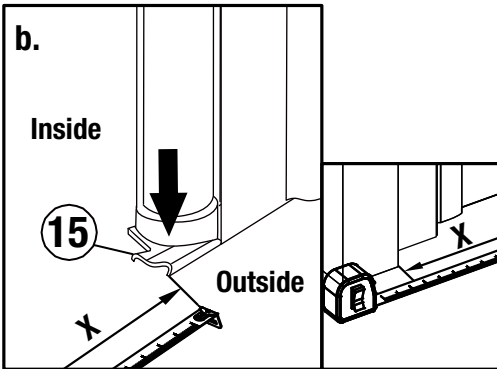
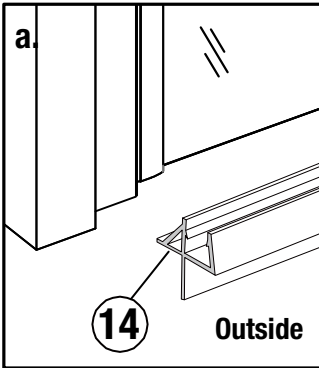
## Wall Jamb (17) Installation

Use Screws (09) to secure the Glass Door (12) and Wall Jamb (17) then install the screw cap (09) .

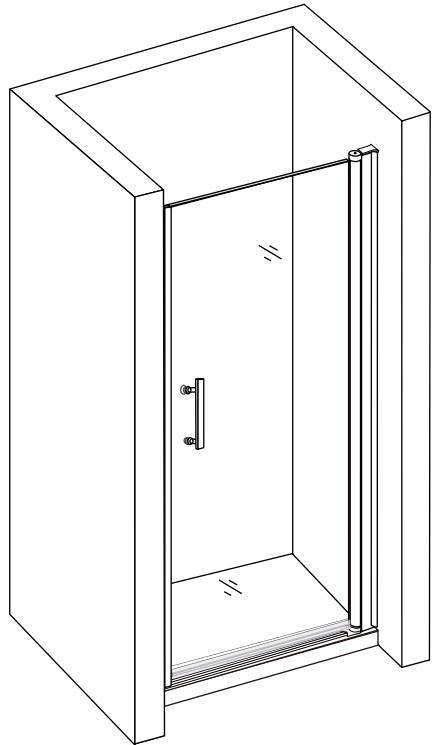
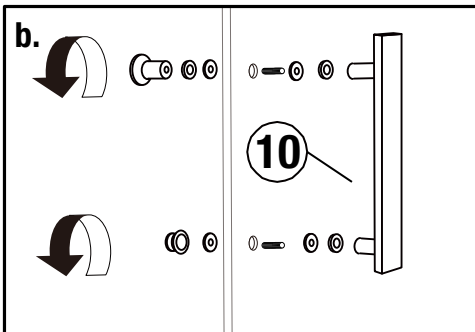
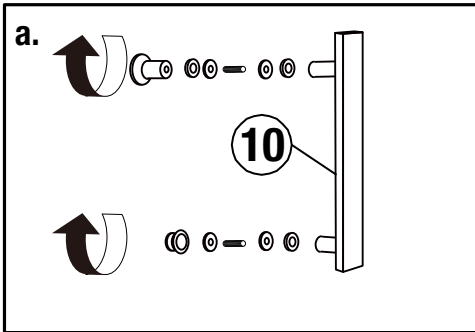


## Bottom Seal (14) and Drip Shield (16) Installation

Measure the width of the opening and cut out Bottom Seal (14) .  
Measure the width of the opening and cut out Drip Shield (16) accordingly.  
Apply silicone before installing.



## Handle (10) Installation

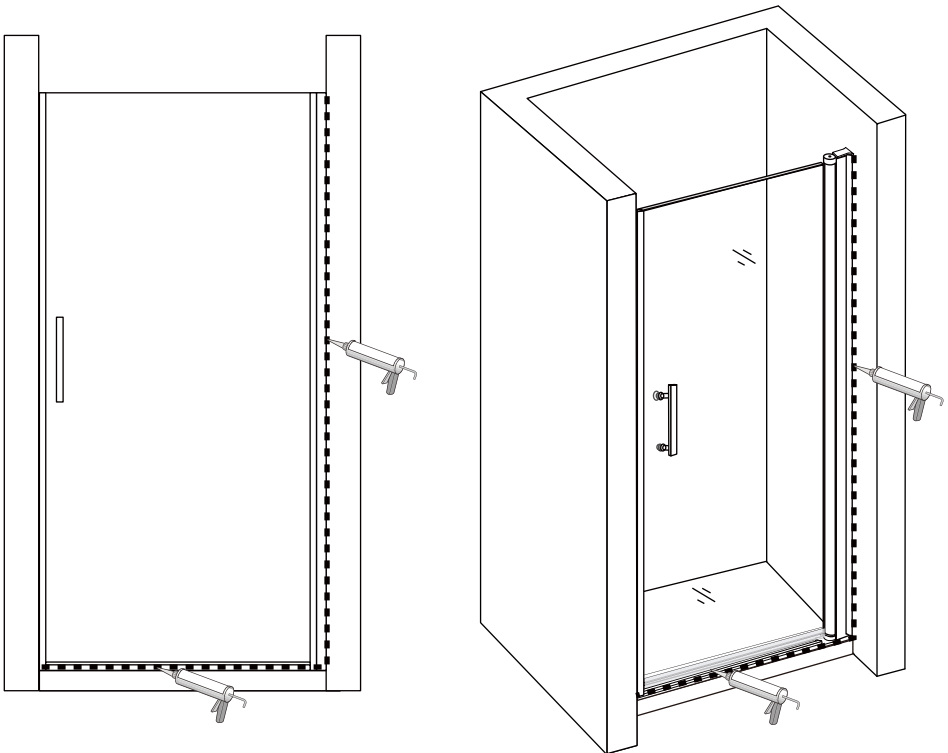


# Silicone Seal

Apply silicone sealant on the seams between the Fixed Glass Panel and the shower base, and between the wall and the Fixed Glass Panel.



ALLOW SILICONE TO DRY FOR **24 HOURS** BEFORE USING THE SHOWER DOOR.



**Thank you for choosing Morvano products!**

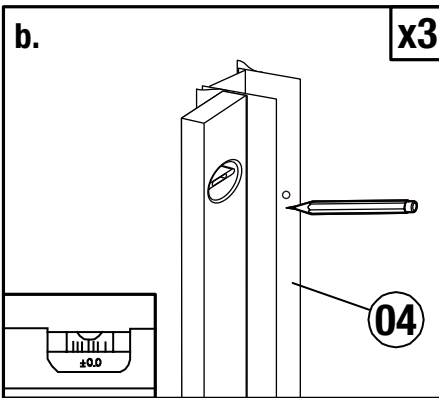
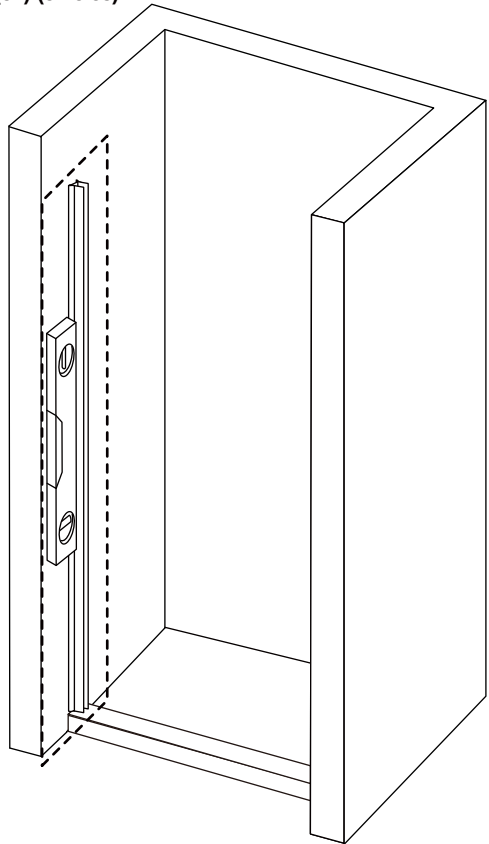
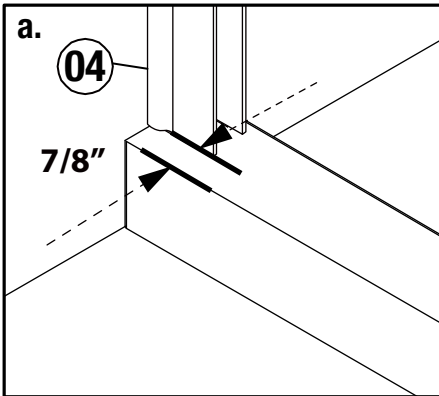
**Please do not hesitate to contact us if you have any questions or concerns.**

## Wall Jamb (04) Installation

### NOTE

Right-hand door installation shown. For left-hand door installation, please refer to P9-P21.

Place the Wall Jamb (04) on the left side, mark down the predrilled position of the Wall Jamb (04) (3 holes).

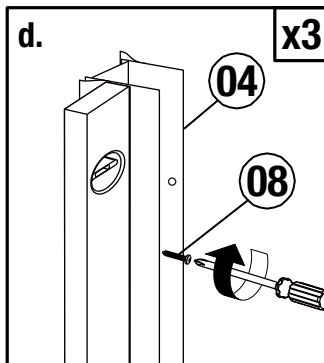
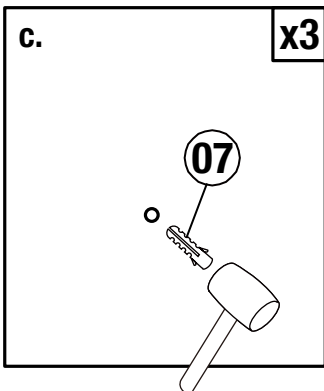
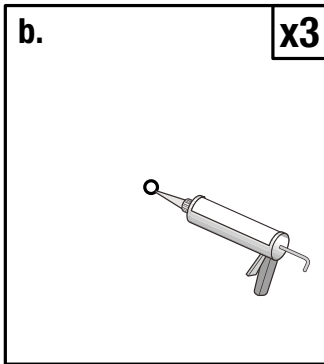
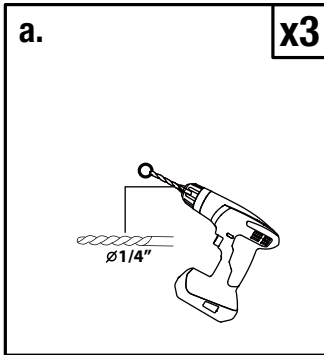


### NOTE

Place the Wall Jamb(04) with the hole facing in.

## Wall Jamb (04) Installation

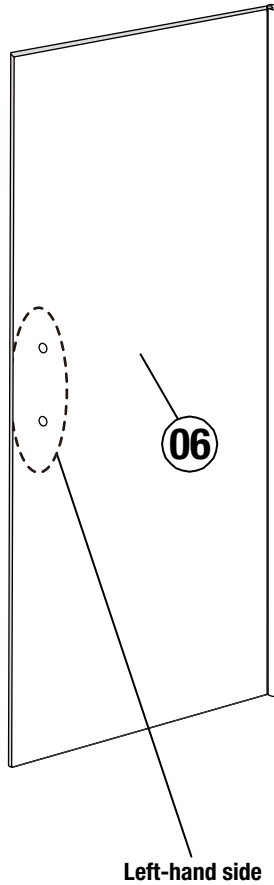
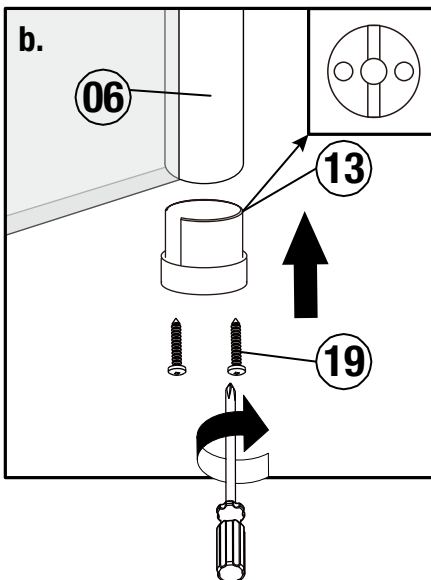
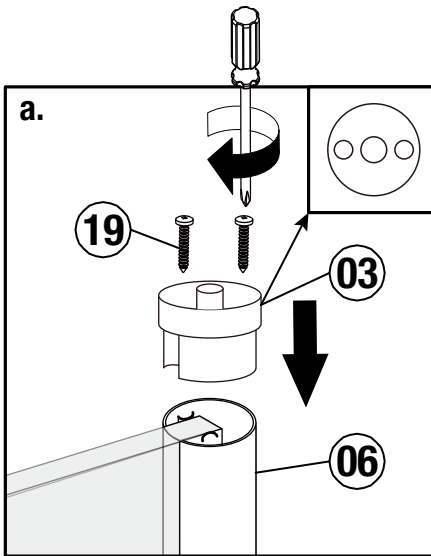
Drill the hole with 1/4" drill bit, add silicone then insert the anchor.  
Secure the Wall Jamb with M4\*30 Screws (08).



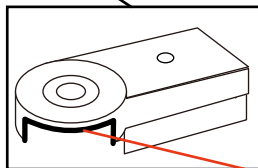
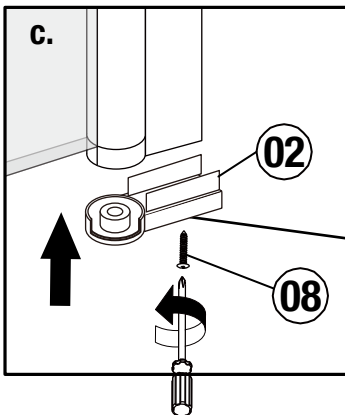
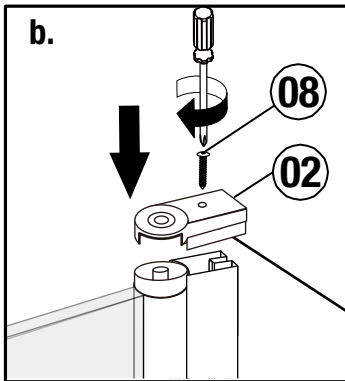
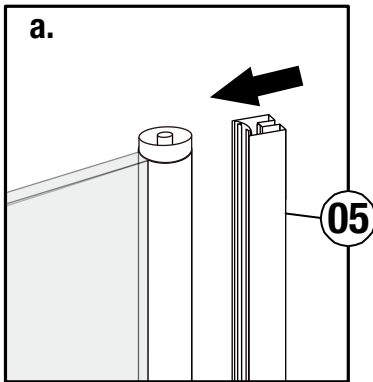
**NOTE**

Install the Wall Jamb(04)  
with the hole facing in.

## Spindle Connector (03 & 13) Installation

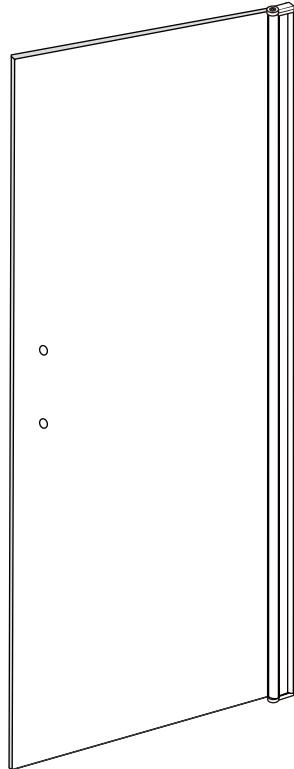


## Wall Jamb (05) and Trim Cover (02) Installation



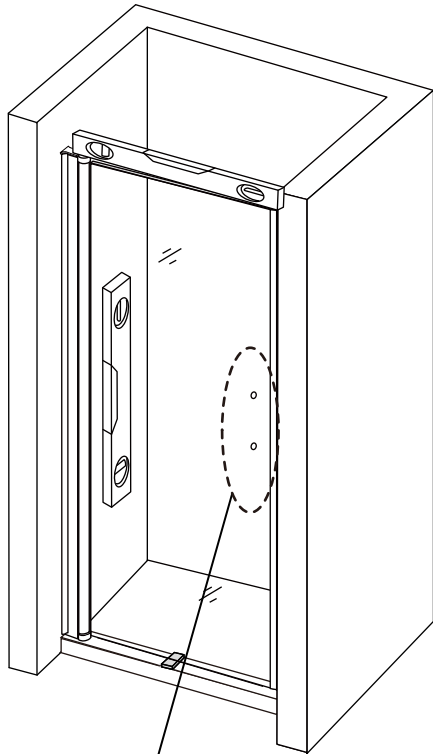
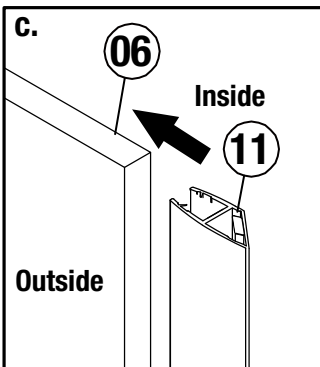
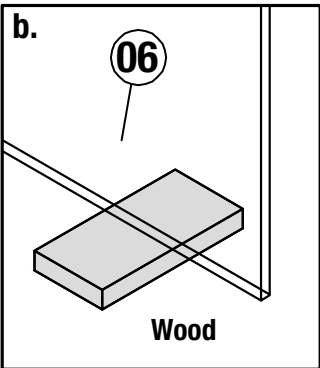
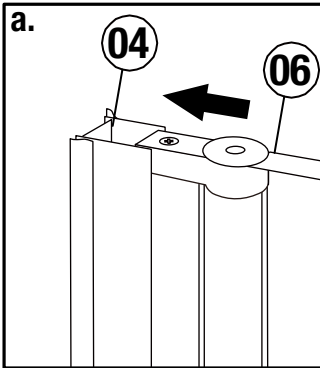
**NOTE**

**Install the Trim Cover (02) with the notched side facing in.**



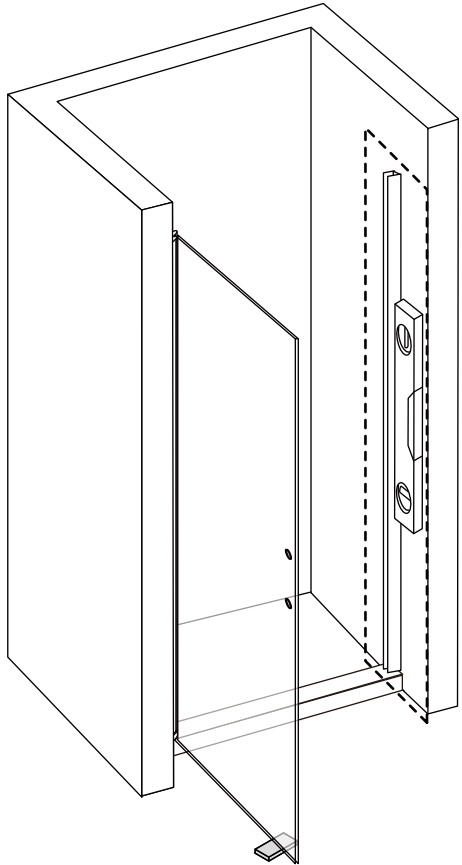
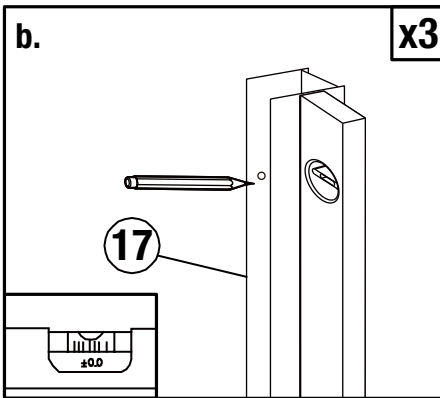
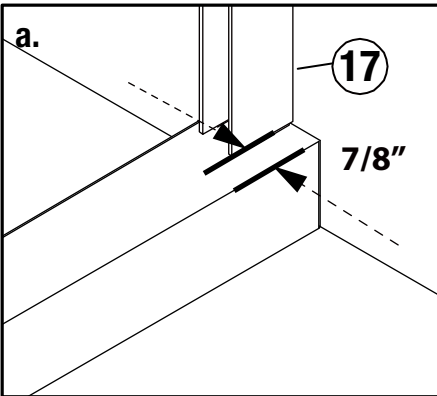
## Magnetic Strip (11) Installation

Install the Glass Door Panel (06) into the Wall Jamb (04), place a wood block to ensure proper spacing, make sure the glass panel is level, then install the Magnetic Strip (11) on the glass panel.



## Wall Jamb (17) Installation

Place the Wall Jamb (17) on the right side, mark down the predrilled position of the Wall Jamb (17) (3 holes).

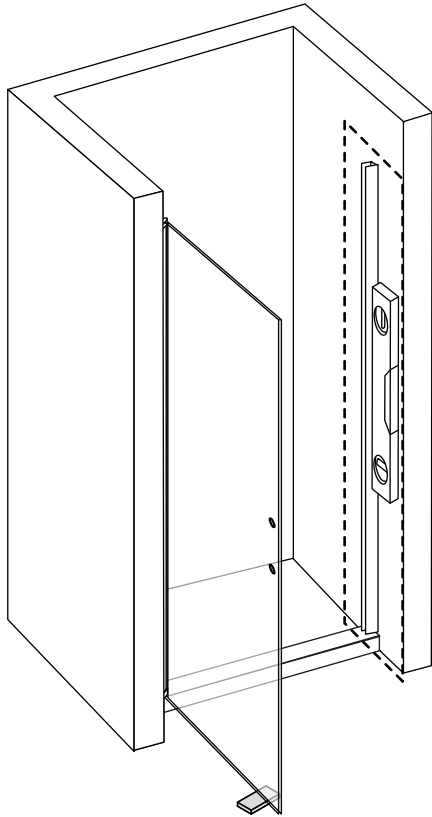
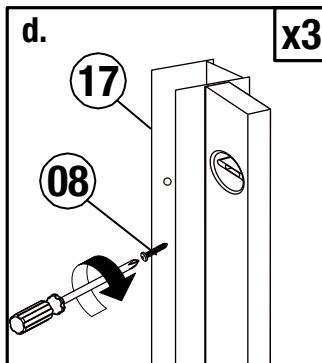
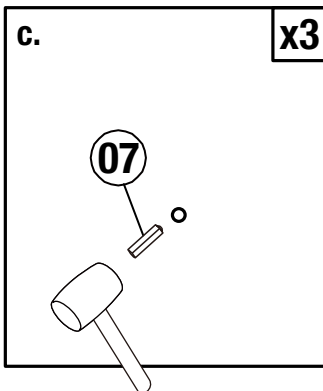
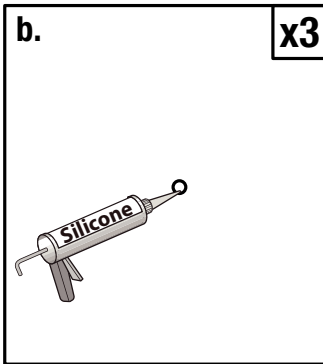
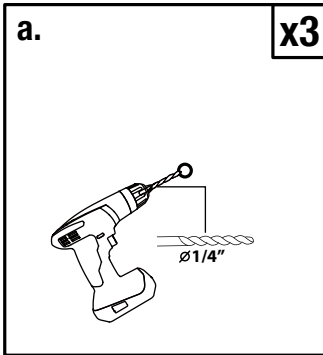


**NOTE**

Place the Wall Jamb(17)  
with the hole facing in.

## Wall Jamb (17) Installation

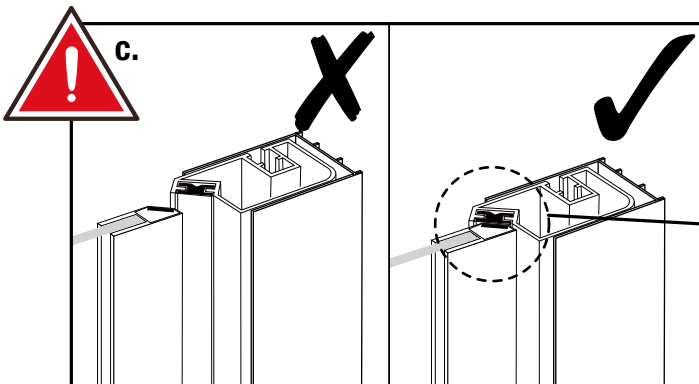
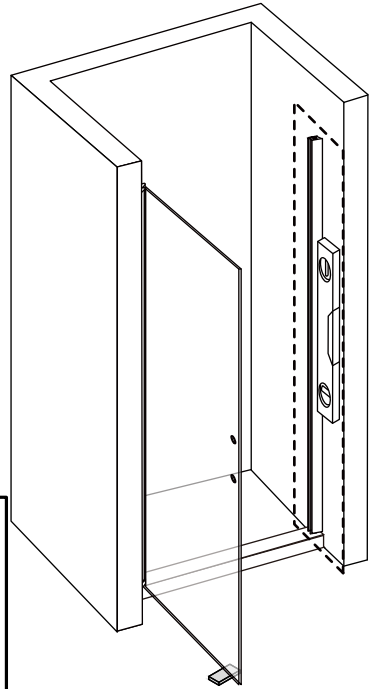
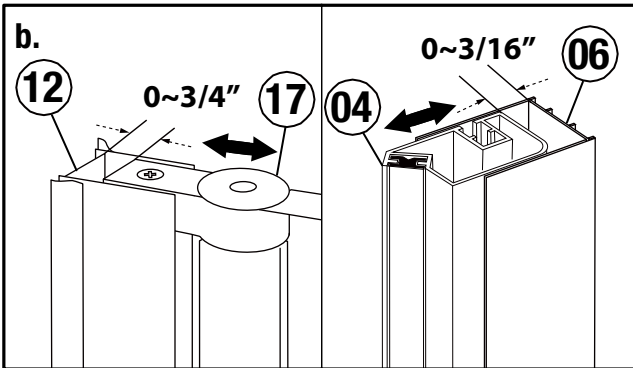
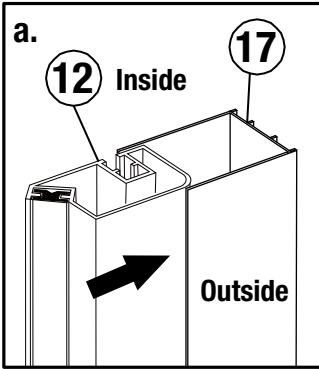
Drill the hole with 1/4" drill bit, add silicone then insert the anchor.  
Secure the Wall Jamb with M4\*30 Screws (08).



**Install the Wall Jamb(17)  
with the hole facing in.**

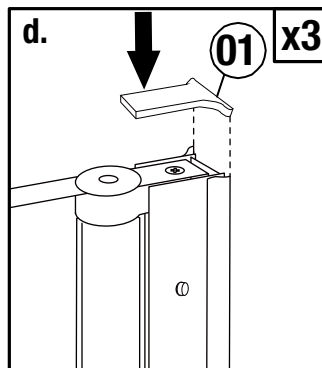
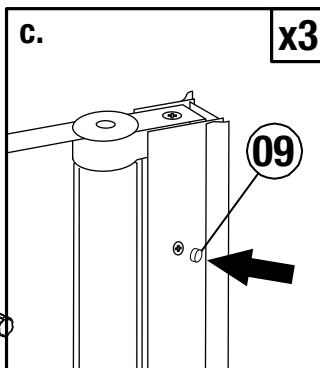
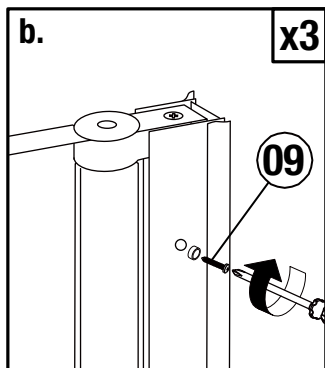
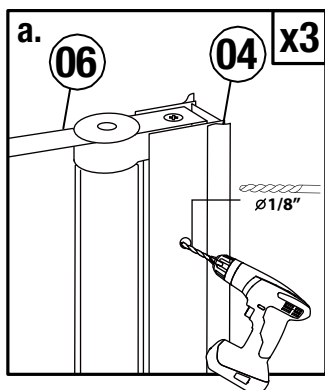
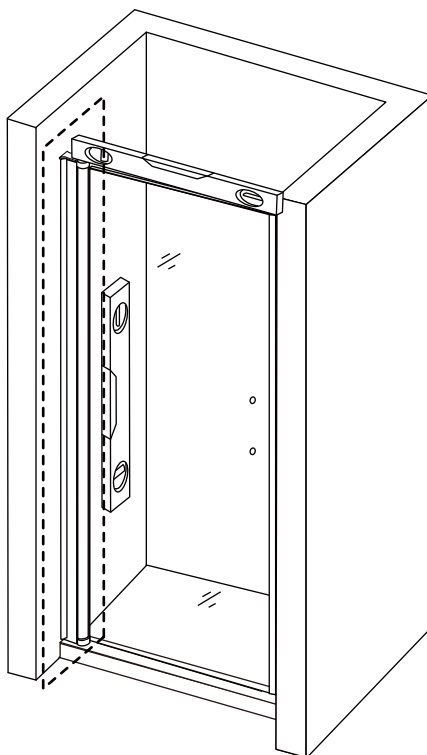
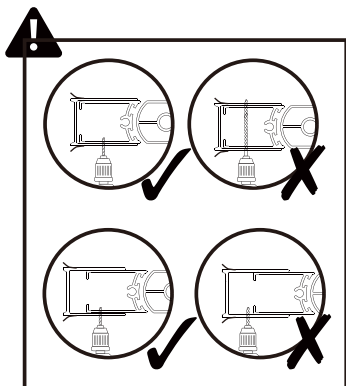
## Door Guide (12) Installation

Install the Door Guide (12) into the Wall Jamb (17), the Door Guide can be adjusted up to 3/16" within the Wall Jamb for overall width adjustment.



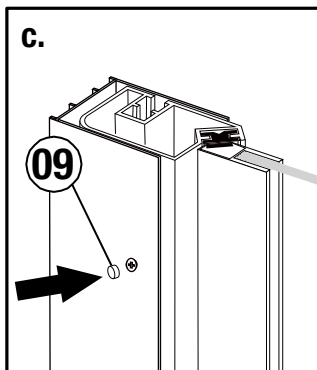
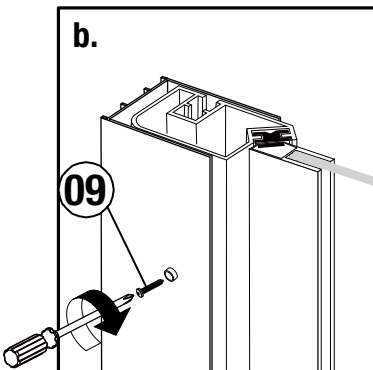
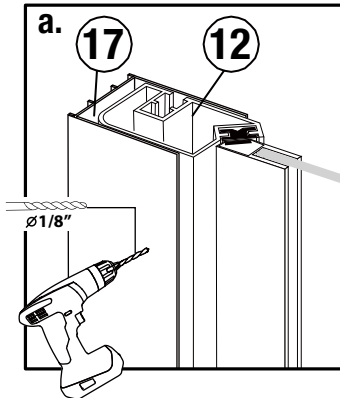
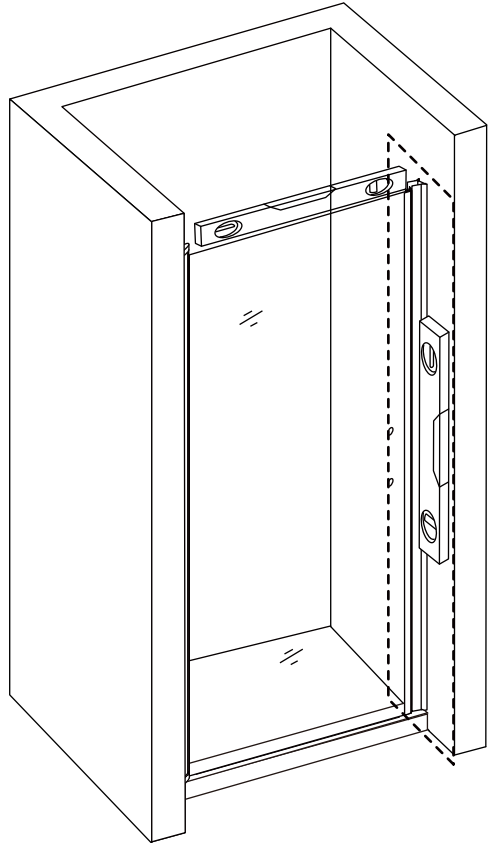
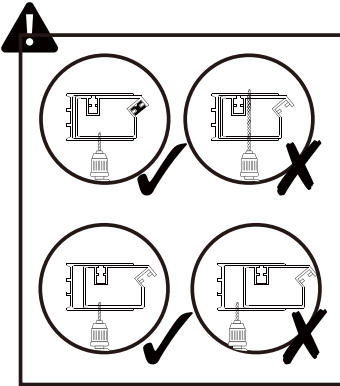
## Adjust and secure Wall Jamb (04) and Glass Door (06)

Use Screws (09) to secure the Glass Door (06) and Wall Jamb (04) then install the screw decorative cap (09) and Top Cover Cap (01).



# Wall Jamb (17) Installation

Use Screws (09) to secure the Glass Door (12) and Wall Jamb (17) then install the screw cap (09) .

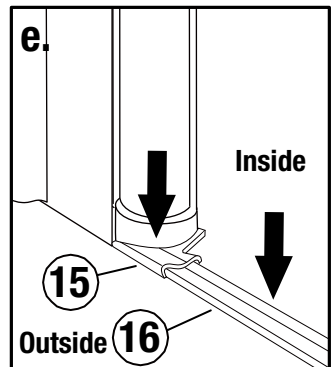
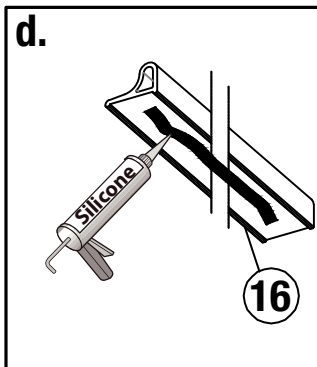
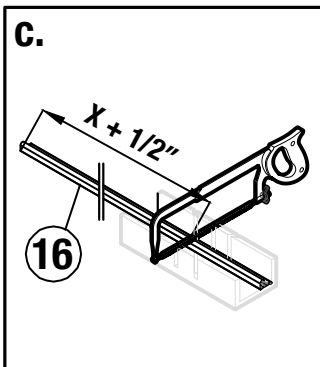
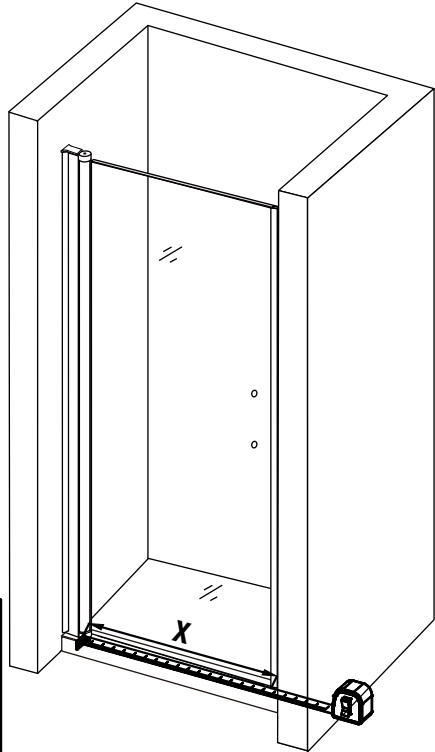
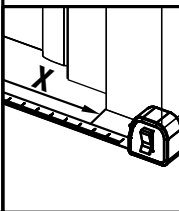
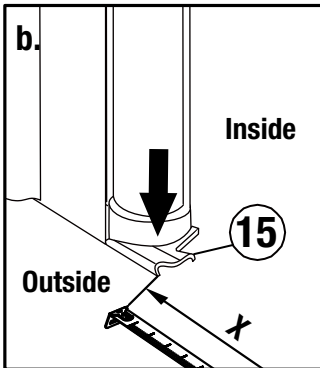
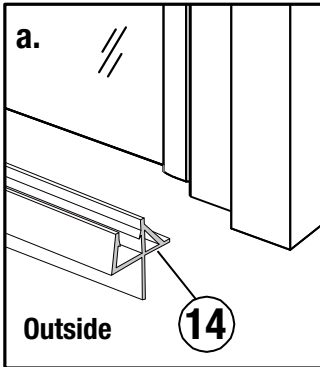


## Bottom Seal (14) and Drip Shield (16) Installation

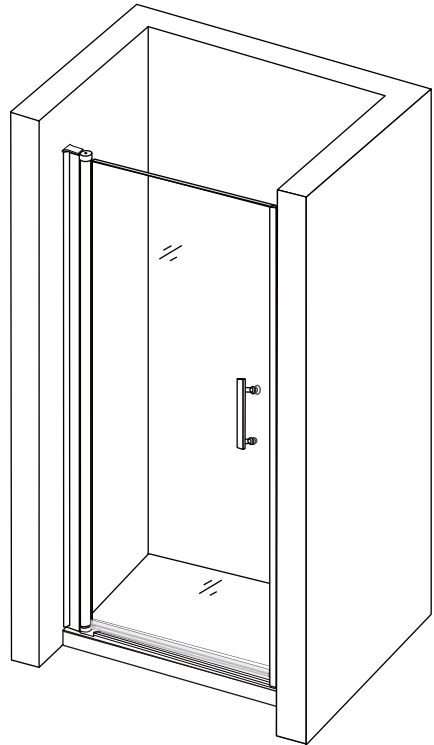
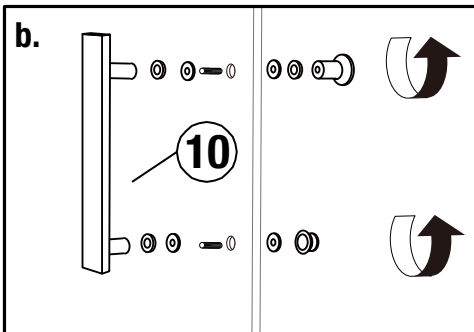
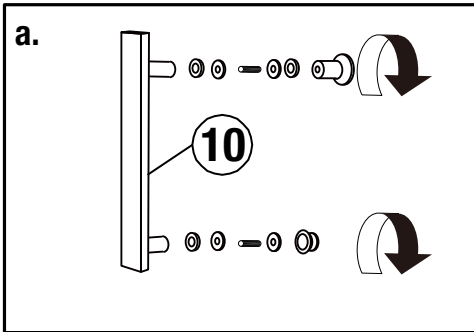
Measure the width of the opening and cut out Bottom Seal (14) .

Measure the width of the opening and cut out Drip Shield (16) accordingly.

Apply silicone before installing.



## Handle (10) Installation

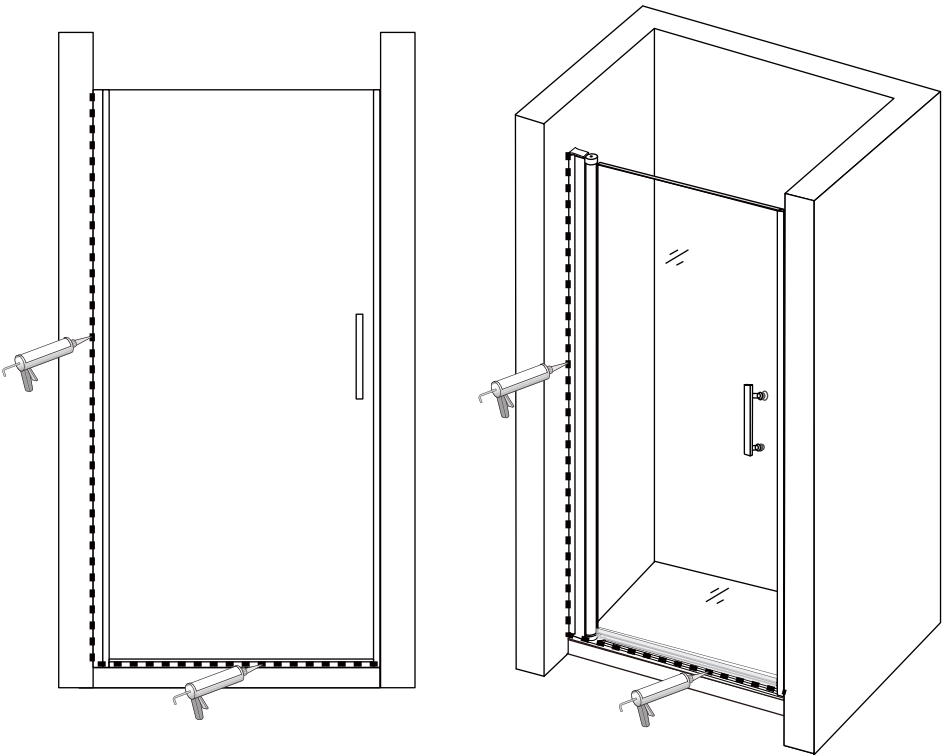


## Silicone Seal

Apply silicone sealant on the seams between the Fixed Glass Panel and the shower base, and between the wall and the Fixed Glass Panel.



ALLOW SILICONE TO DRY FOR **24 HOURS** BEFORE USING THE SHOWER DOOR.



Thank you for choosing Morvano products!

Please do not hesitate to contact us if you have any questions or concerns.

## Troubleshooting

Problem / Symptom	Suggested Solution
1. Missing Parts	A. Check all shipping/packaging material for missing parts/components.
2. Water Leakage	A.Check all the pvc seals for proper trimming and installation. B.Check the alu. threshold installed properly and secured with silicone.
3. Door is not operating smoothly	A.Check the magentic seal for proper trimming and installation. B.Confirm the sweep seal is tightly secured to the bottom of Door Glass.
4. Handle rattles during operation	A.Confirm the pvc gaskets are present and the handle is tightly secured to the glass.