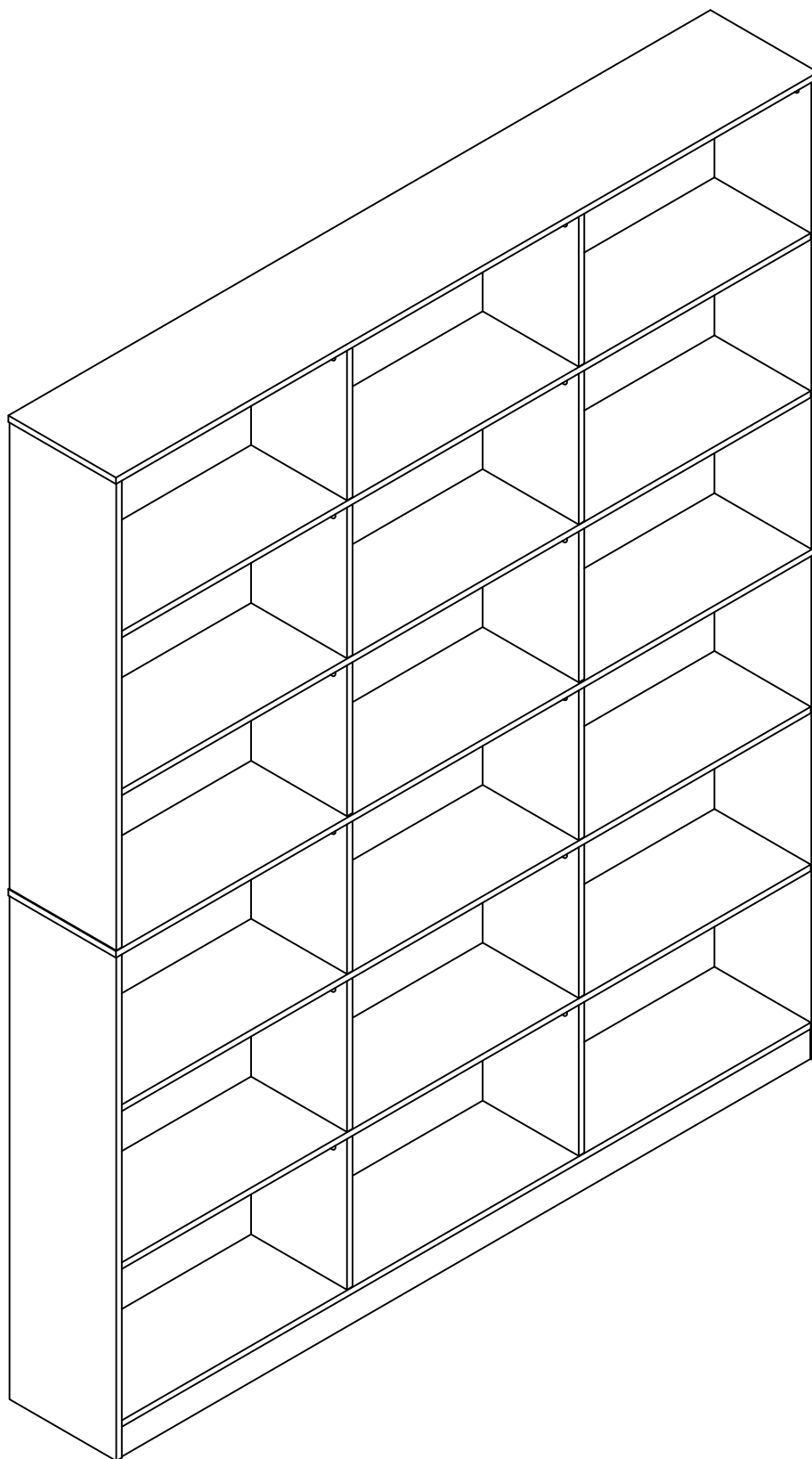
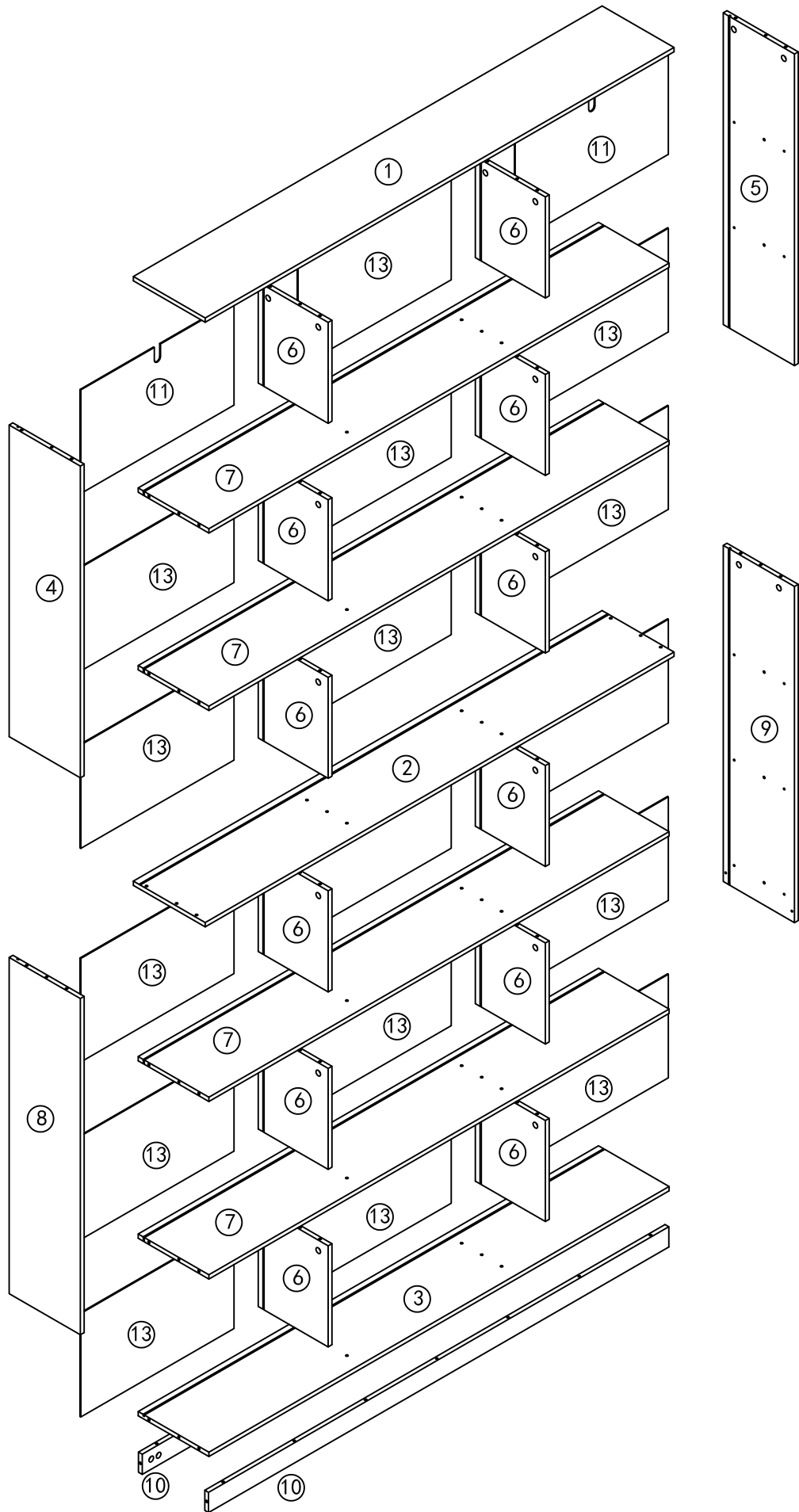

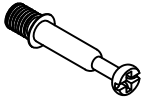
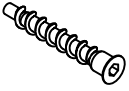

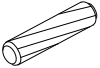



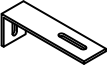
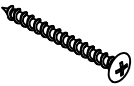
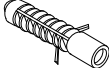



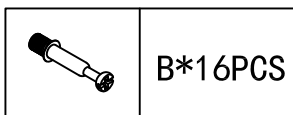
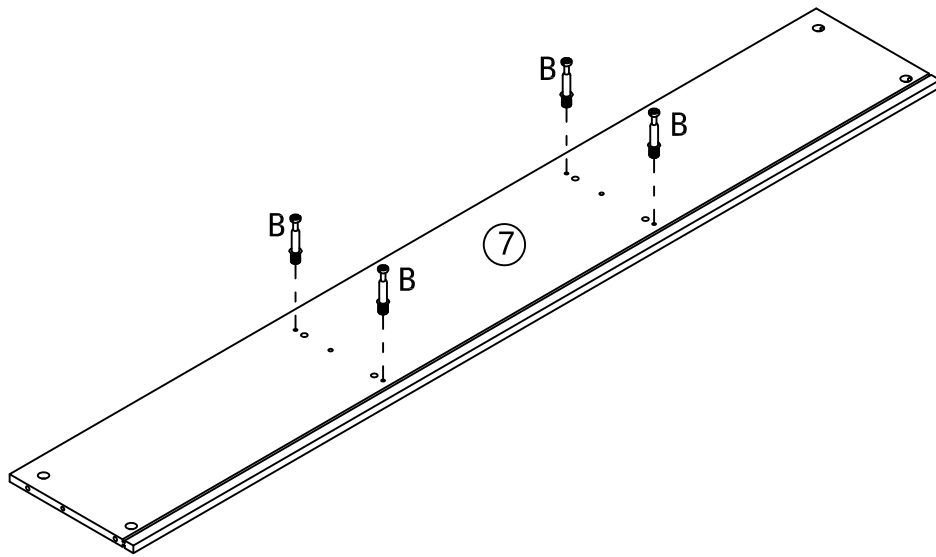
# Installation & Assembly





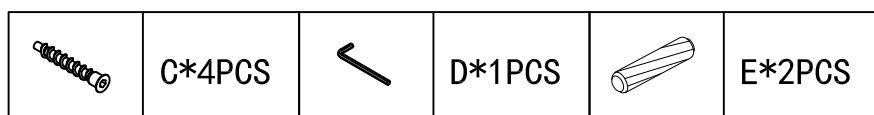
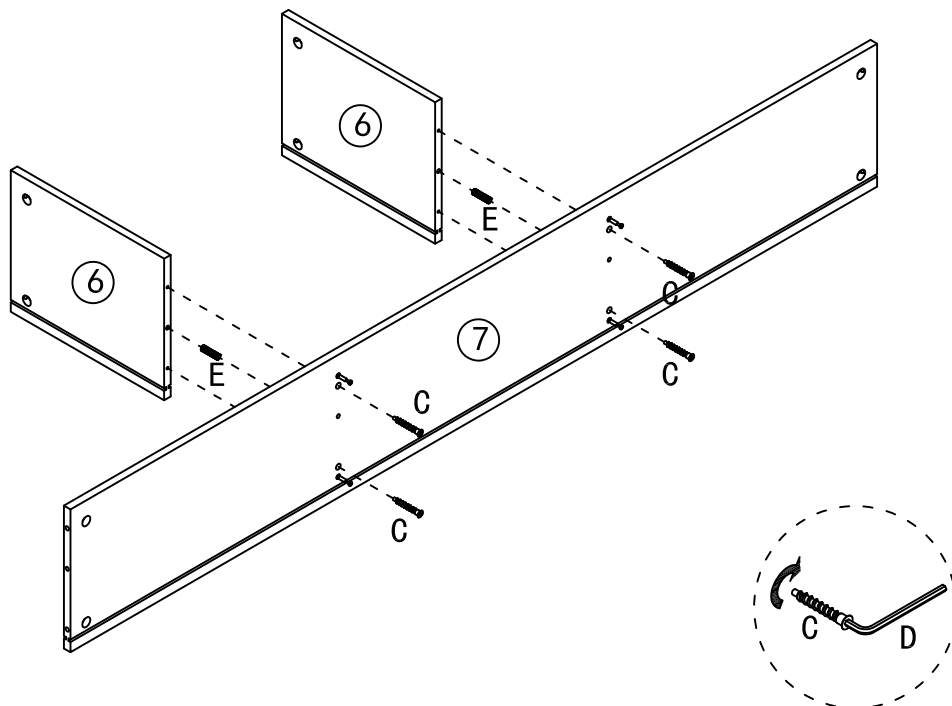
<p>A</p>  <p>64+2PCS</p>	<p>B</p>  <p>64+2PCS</p>	<p>C</p>  <p>M5*48MM 28+2PCS</p>	<p>D</p>  <p>M3*20*57MM 1PCS</p>
<p>E</p>  <p>Ø6*30MM 46+2PCS</p>	<p>F</p>  <p>32+1PCS</p>	<p>G</p>  <p>72+2PCS</p>	<p>H</p>  <p>Ø3*16MM 72+2PCS</p>
<p>I</p>  <p>2PCS</p>	<p>J</p>  <p>Ø4*35MM 2PCS</p>	<p>K</p>  <p>2PCS</p>	<p>L</p>  <p>Ø4*12MM 2PCS</p>

# STEP 1

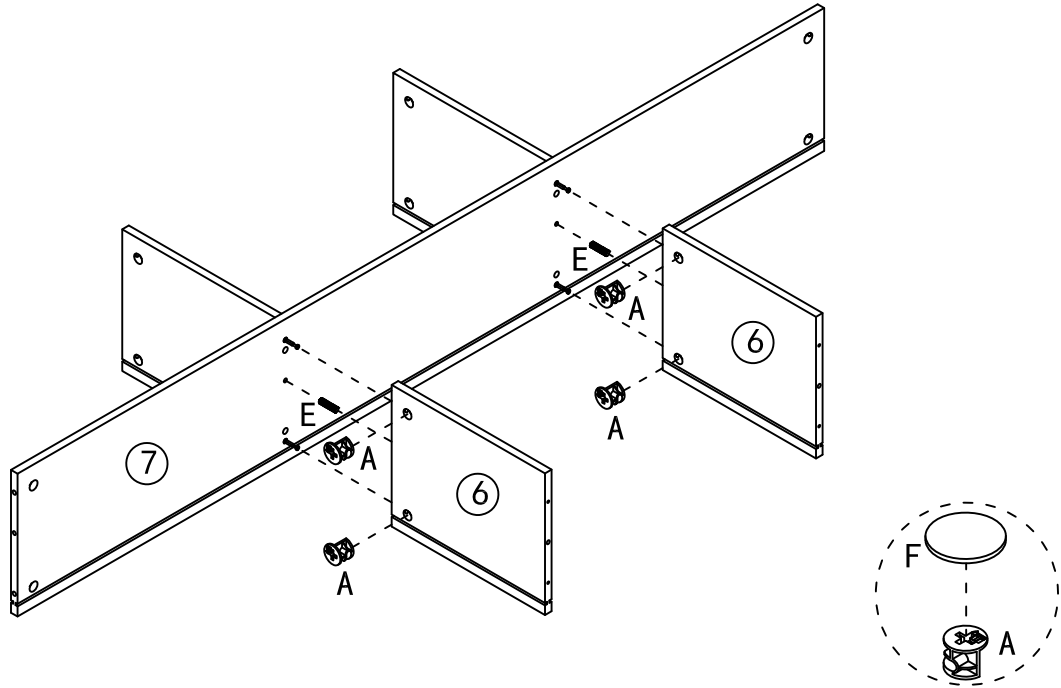



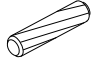

X4

# STEP 2

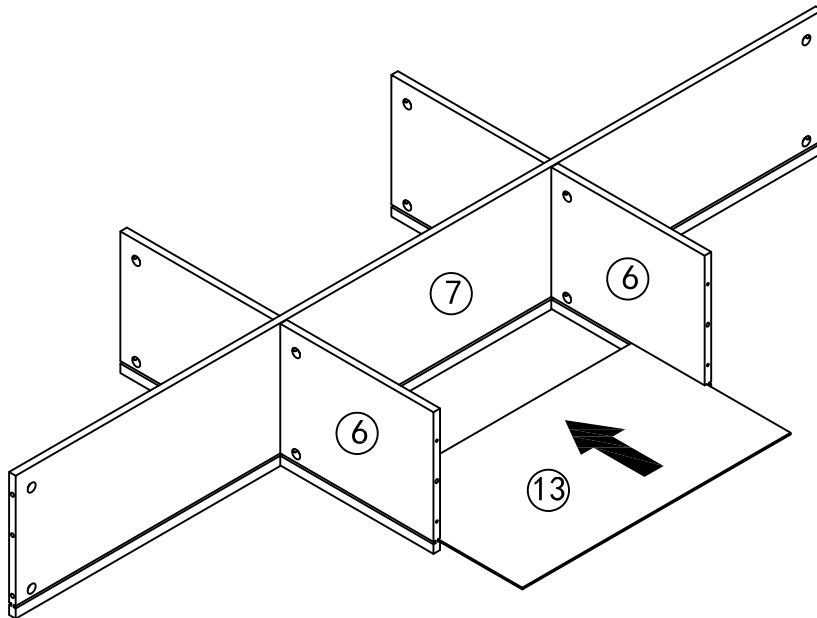


# STEP 3

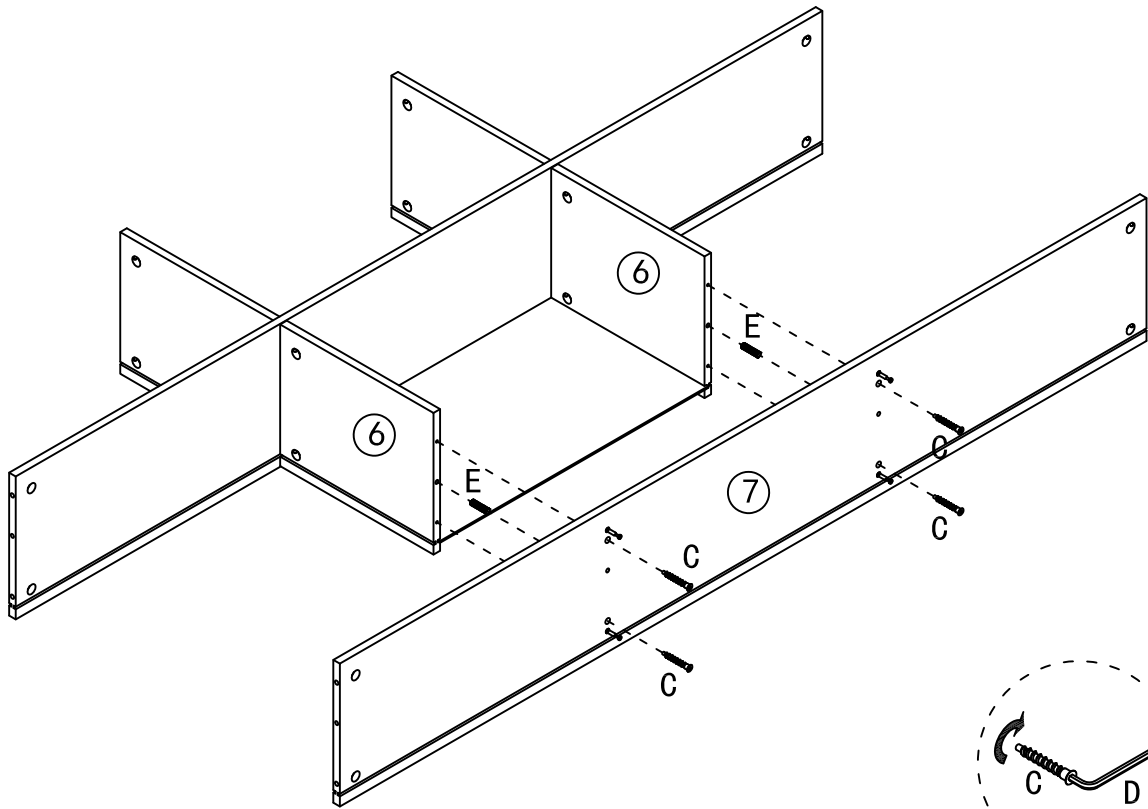




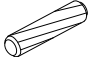
	A*4PCS		E*2PCS		F*4PCS
---	--------	---	--------	---	--------

# STEP 4

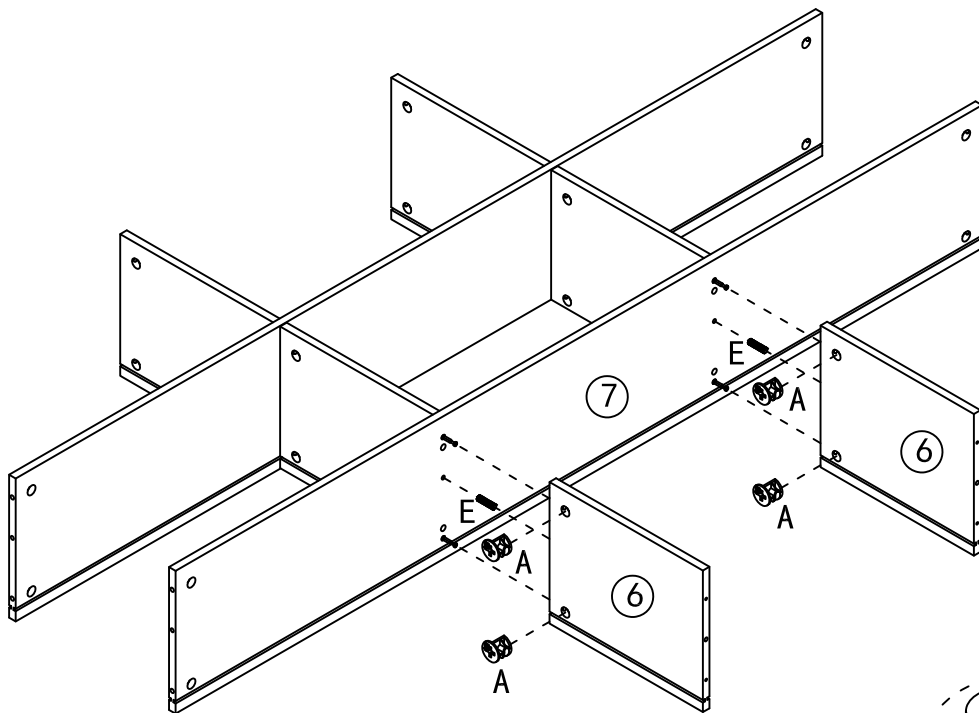



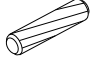

# STEP 5

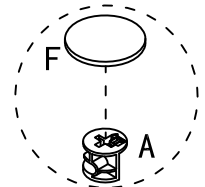


	C*4PCS		D*1PCS		E*2PCS
---	--------	---	--------	---	--------

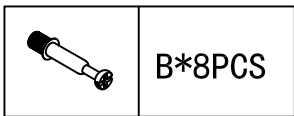
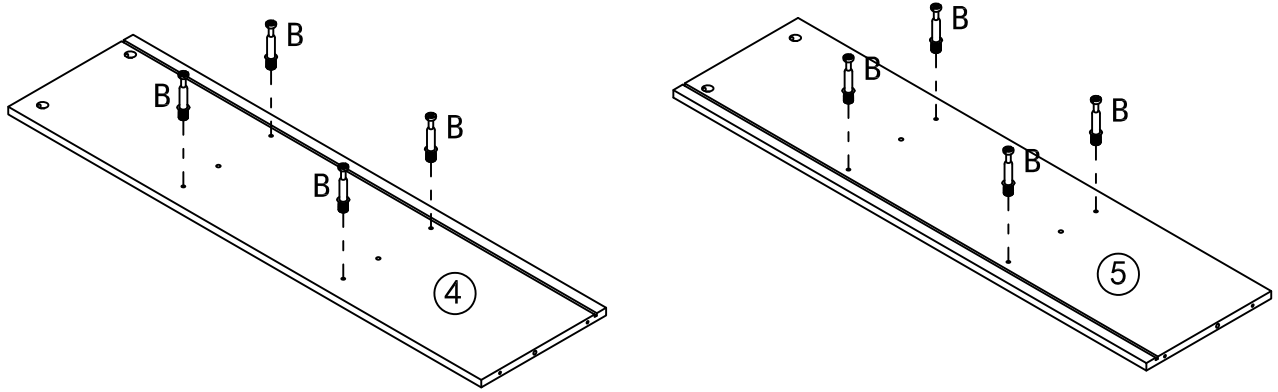
# STEP 6



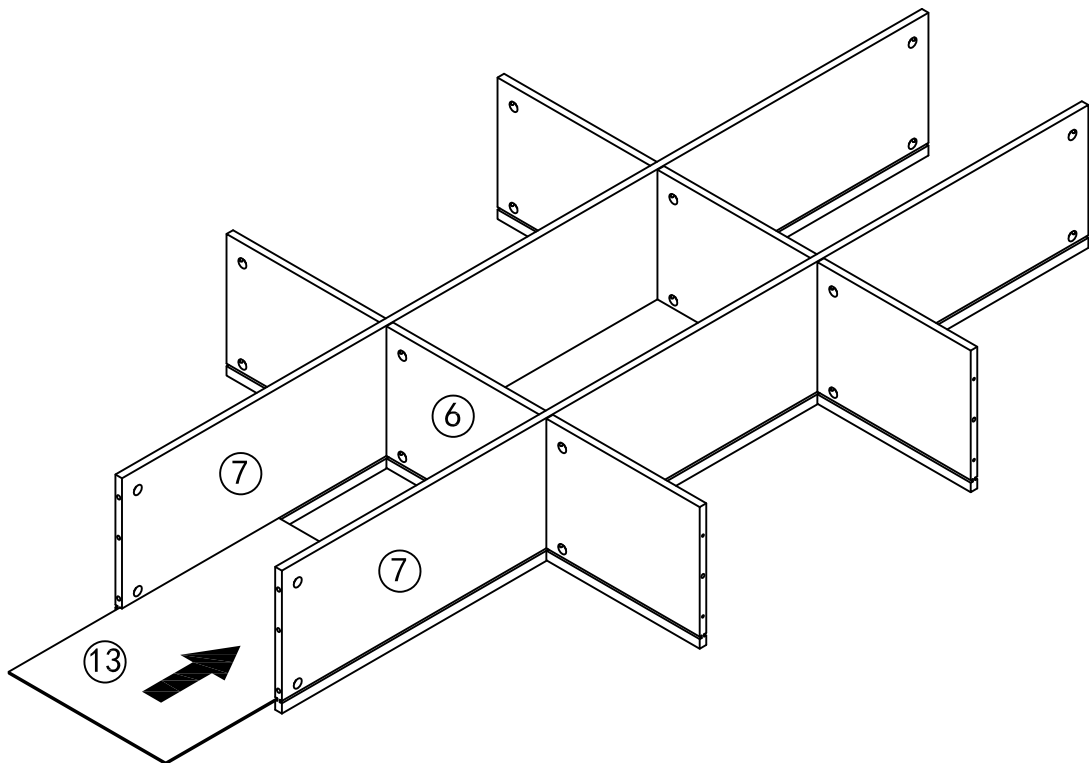
	A*4PCS		E*2PCS		F*4PCS
---	--------	---	--------	---	--------



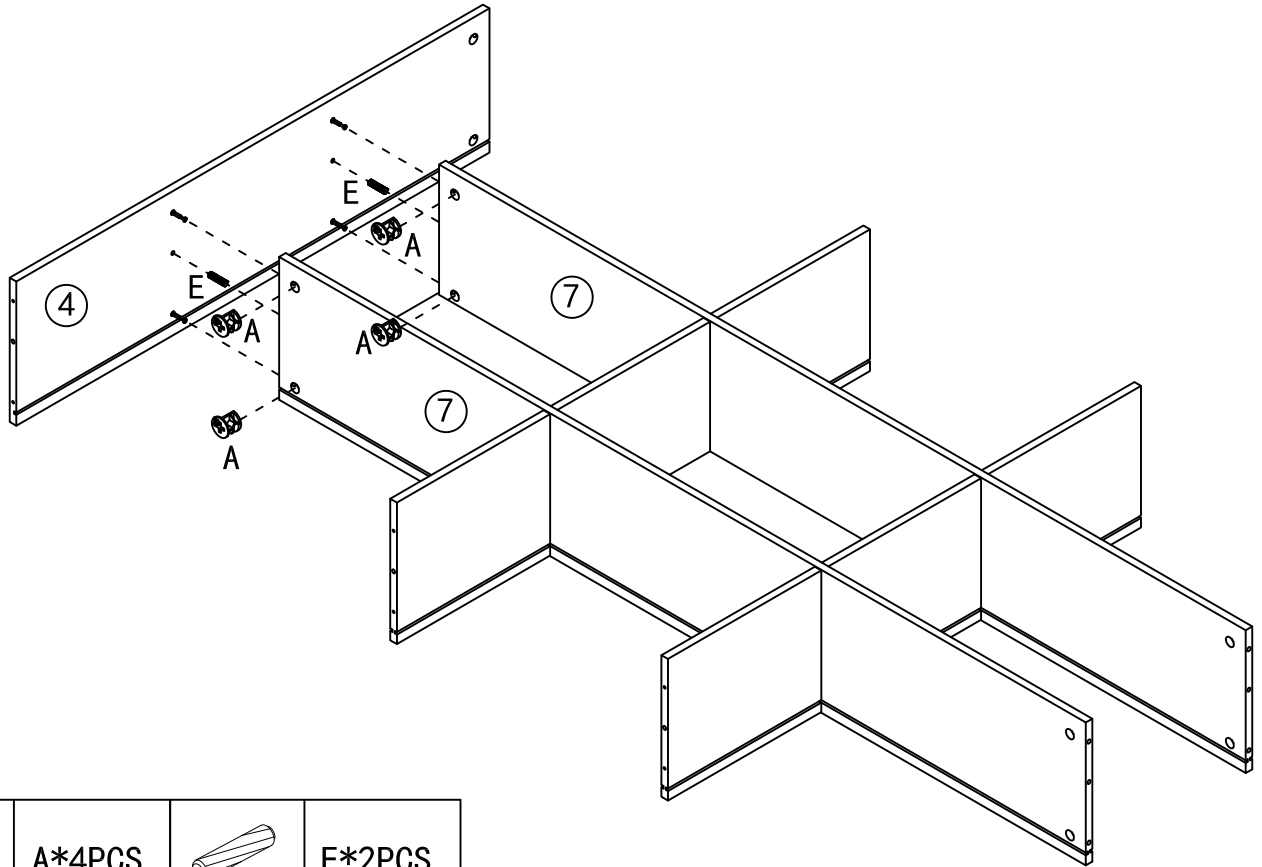
# STEP 7


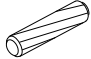


# STEP 8

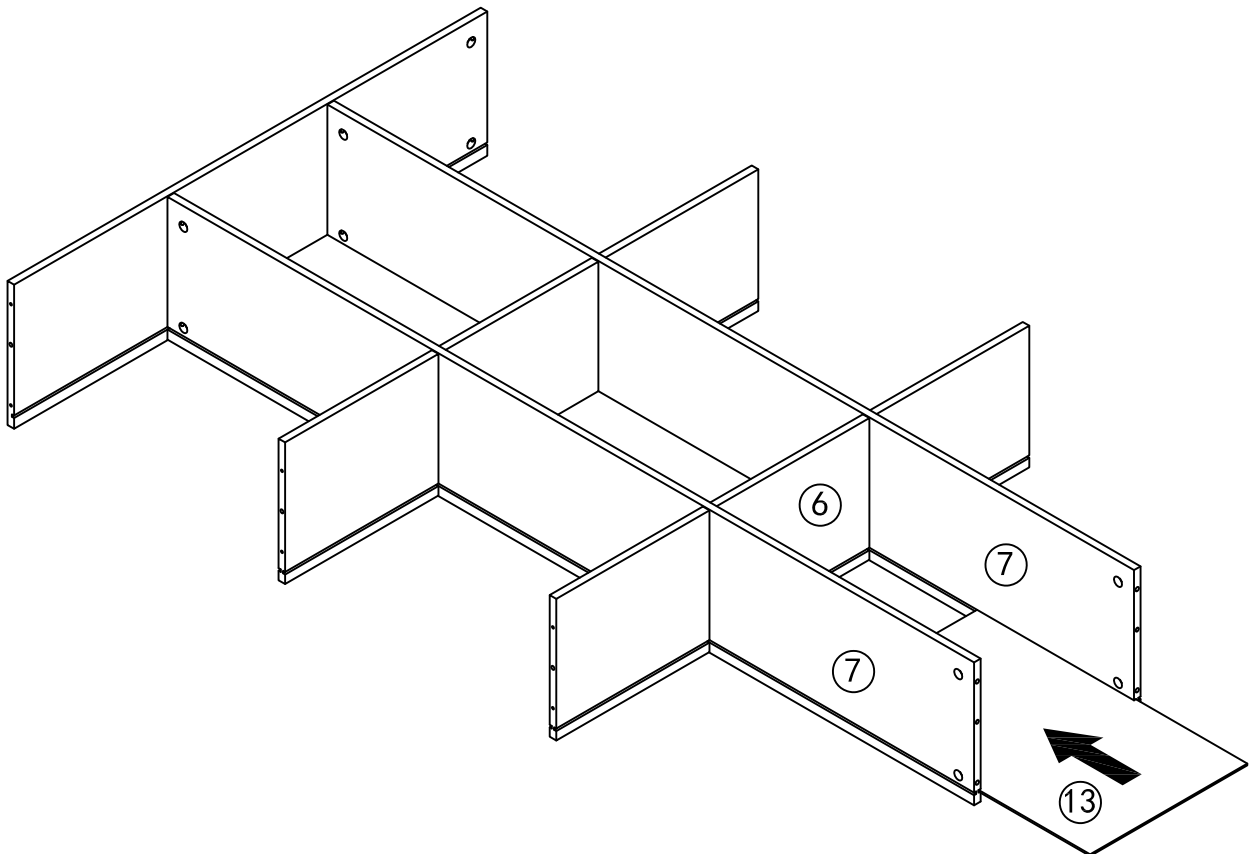


# STEP 9

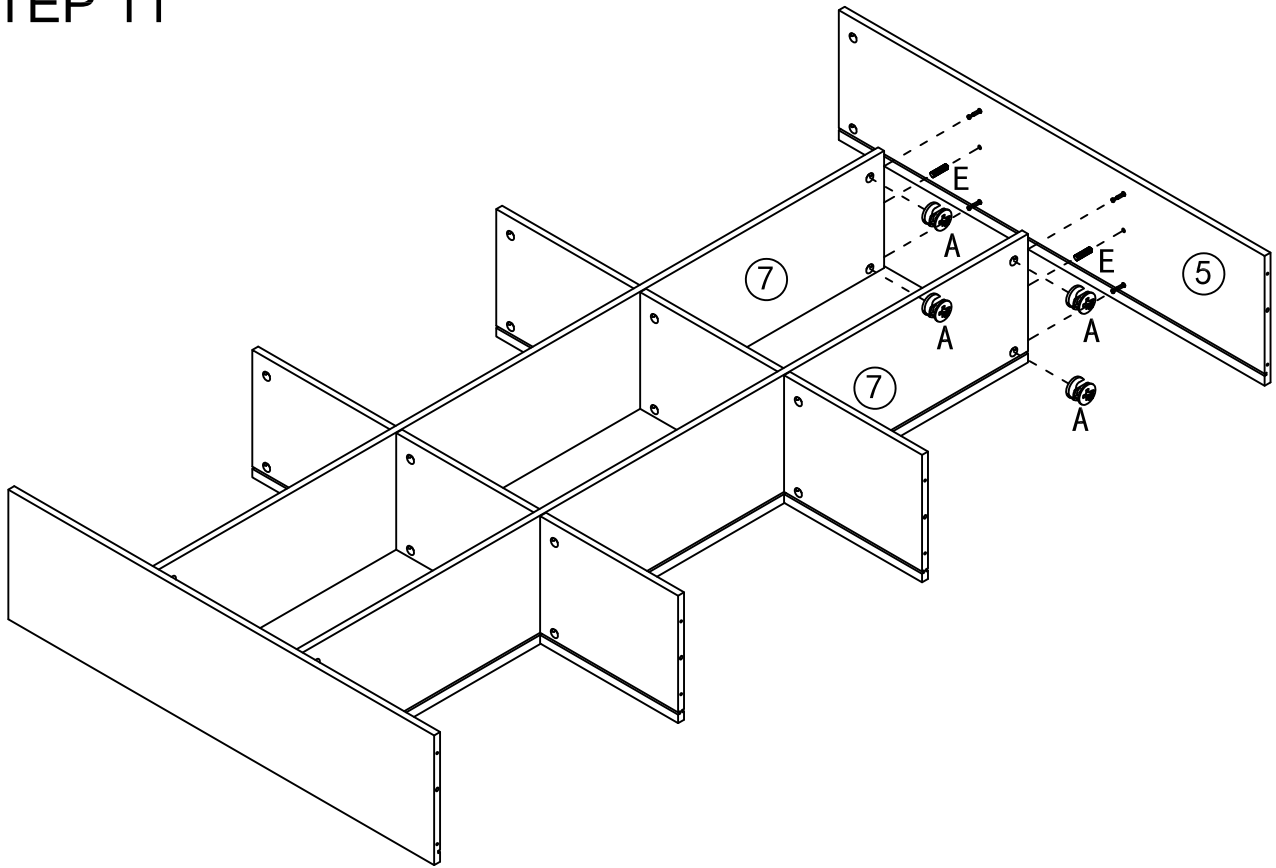



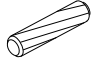
	A*4PCS		E*2PCS
---	--------	---	--------

# STEP 10

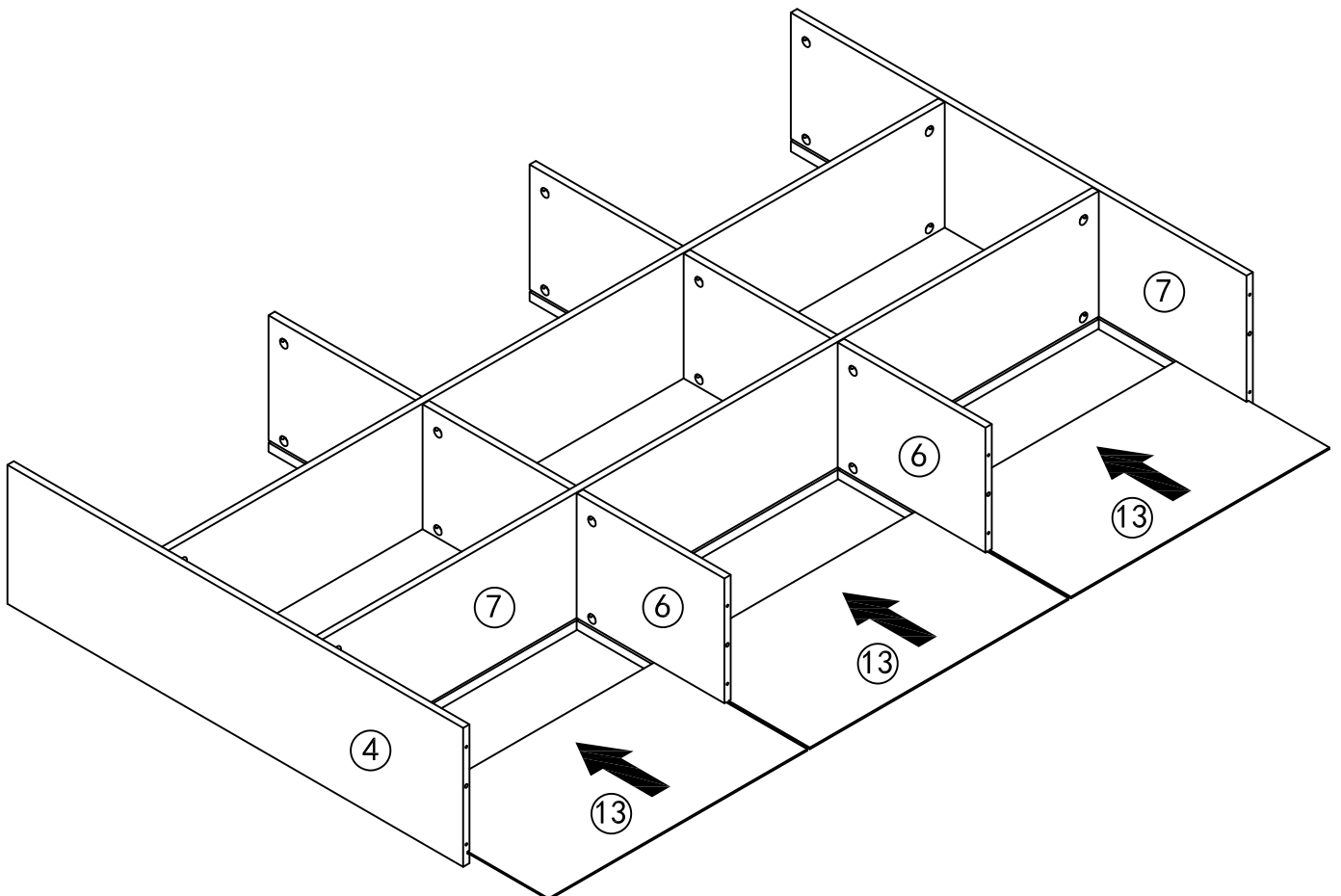


# STEP 11

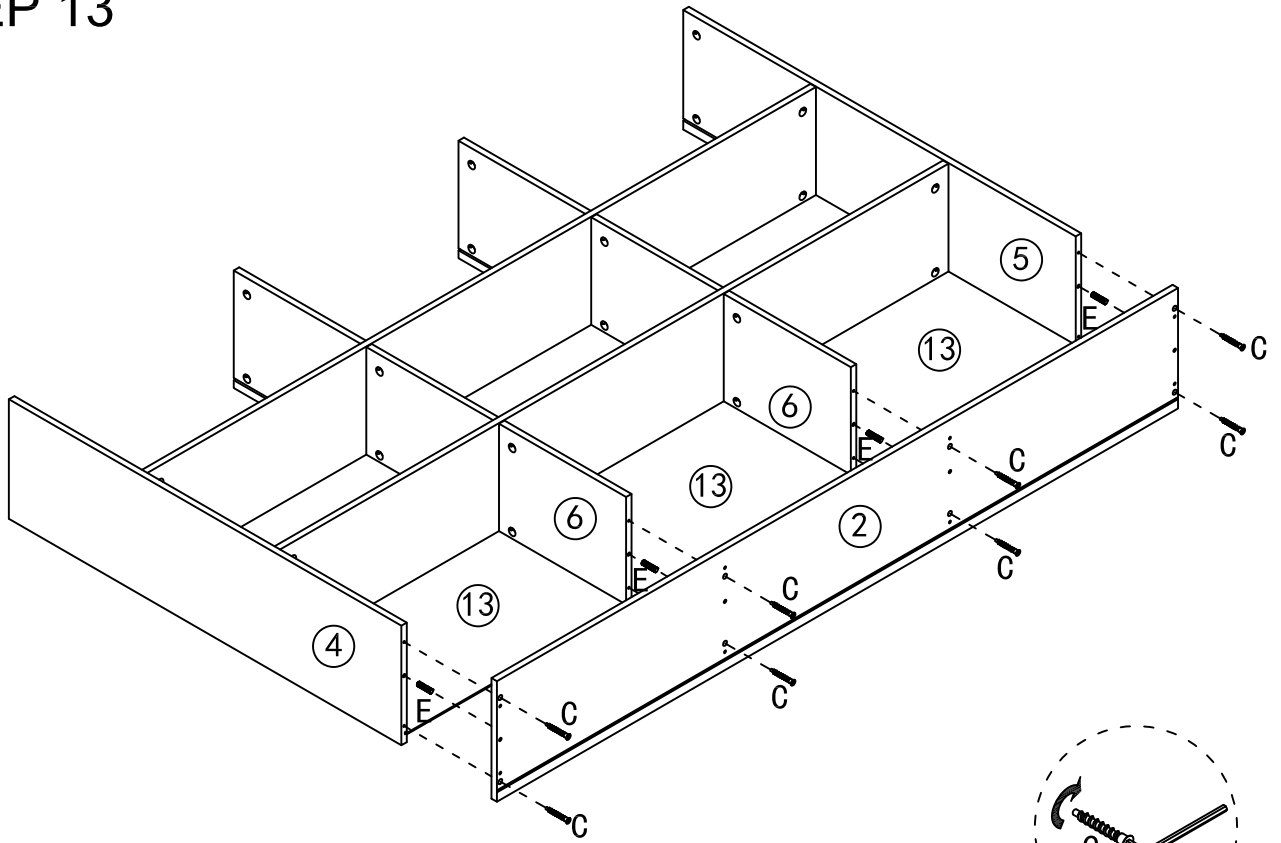




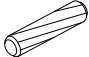
	A*4PCS		E*2PCS
---	--------	---	--------

# STEP 12

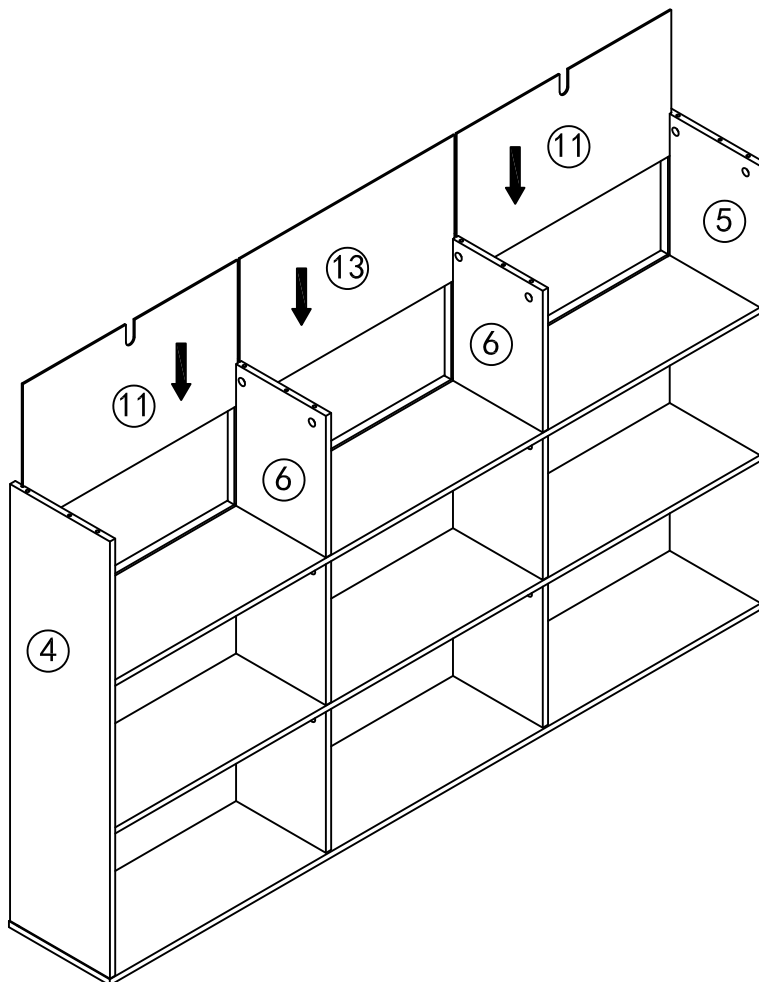


# STEP 13

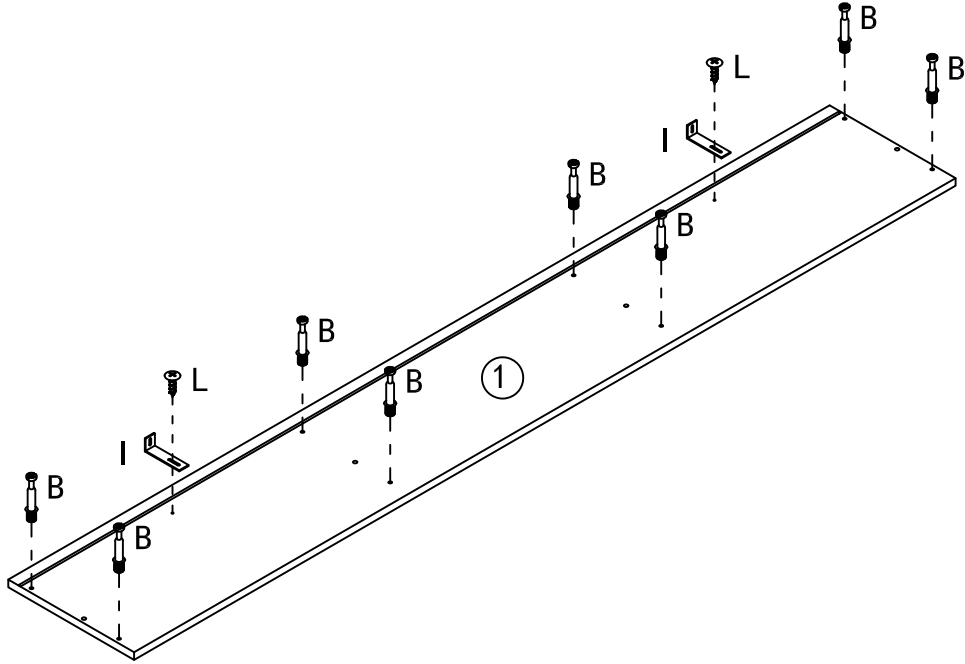





	C*8PCS		D*1PCS		E*4PCS
---	--------	---	--------	---	--------

# STEP 14

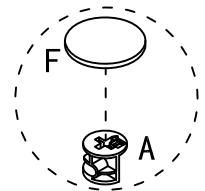
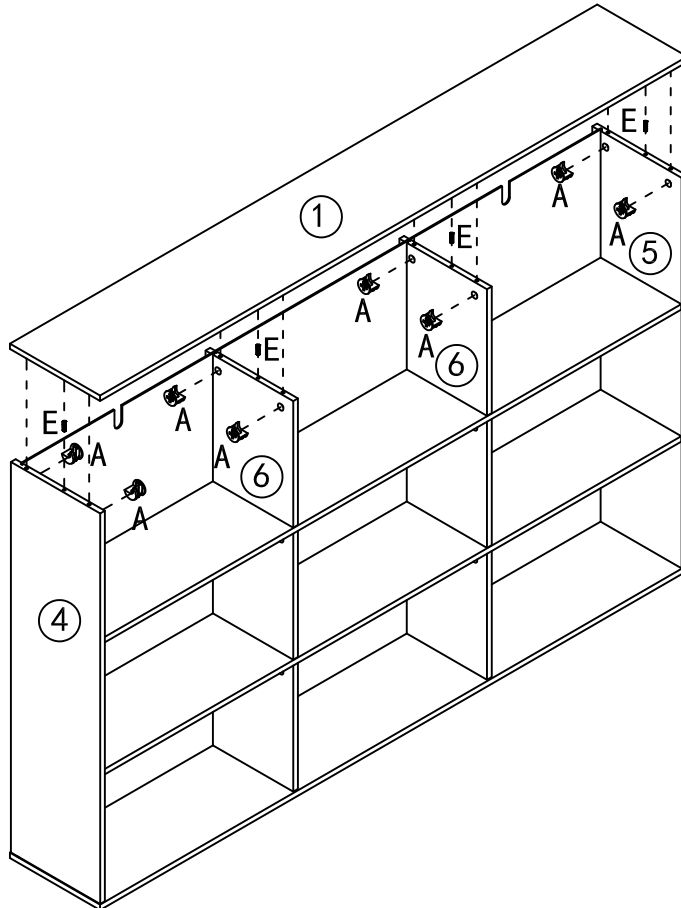



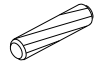

# STEP 15



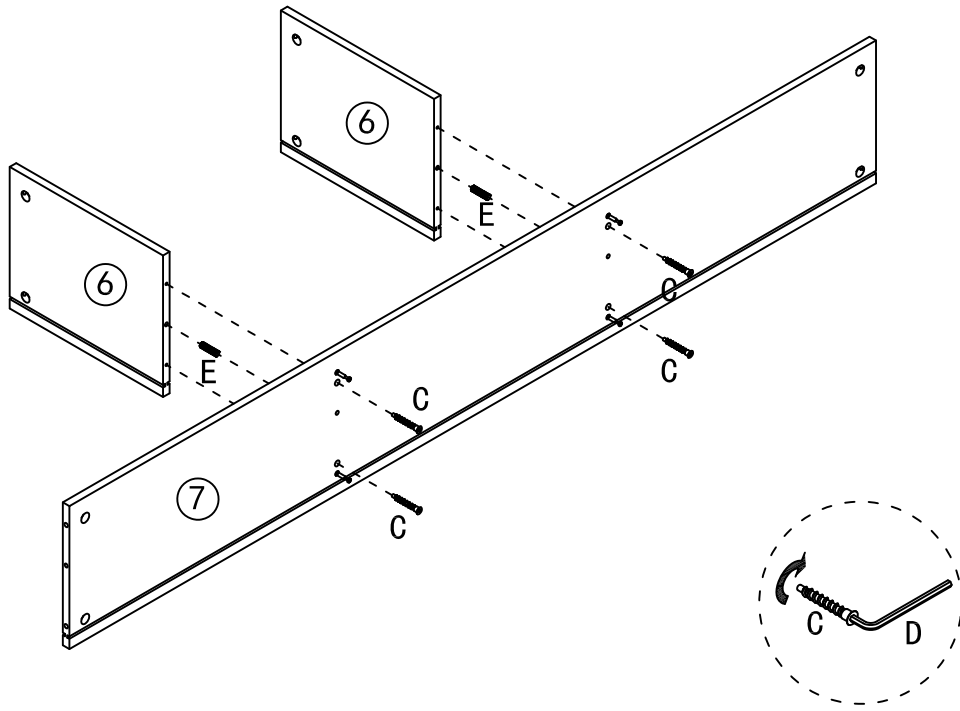
	B*8PCS		I*2PCS		L*2PCS
---	--------	---	--------	---	--------



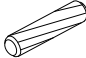
# STEP 16



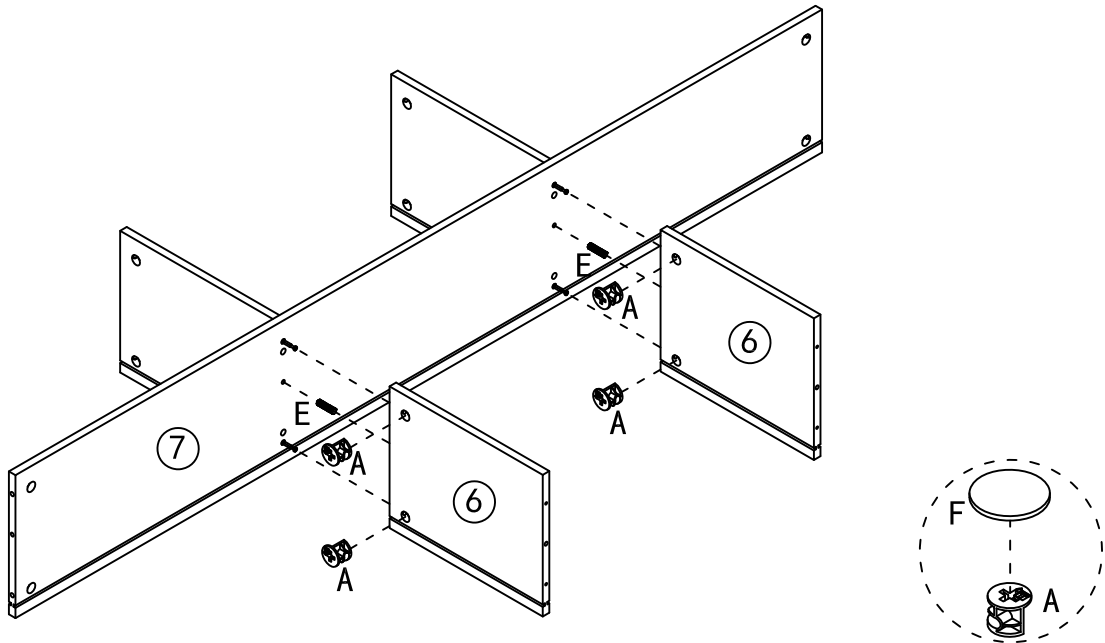
	A*8PCS		E*4PCS		F*8PCS
---	--------	---	--------	---	--------




# STEP 17



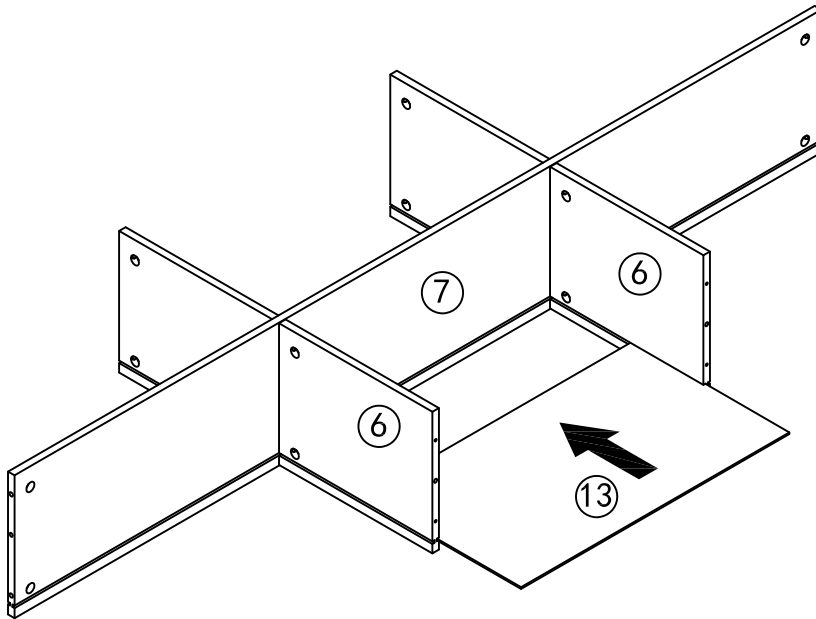
	C*4PCS		D*1PCS		E*2PCS
---	--------	---	--------	---	--------

# STEP 18

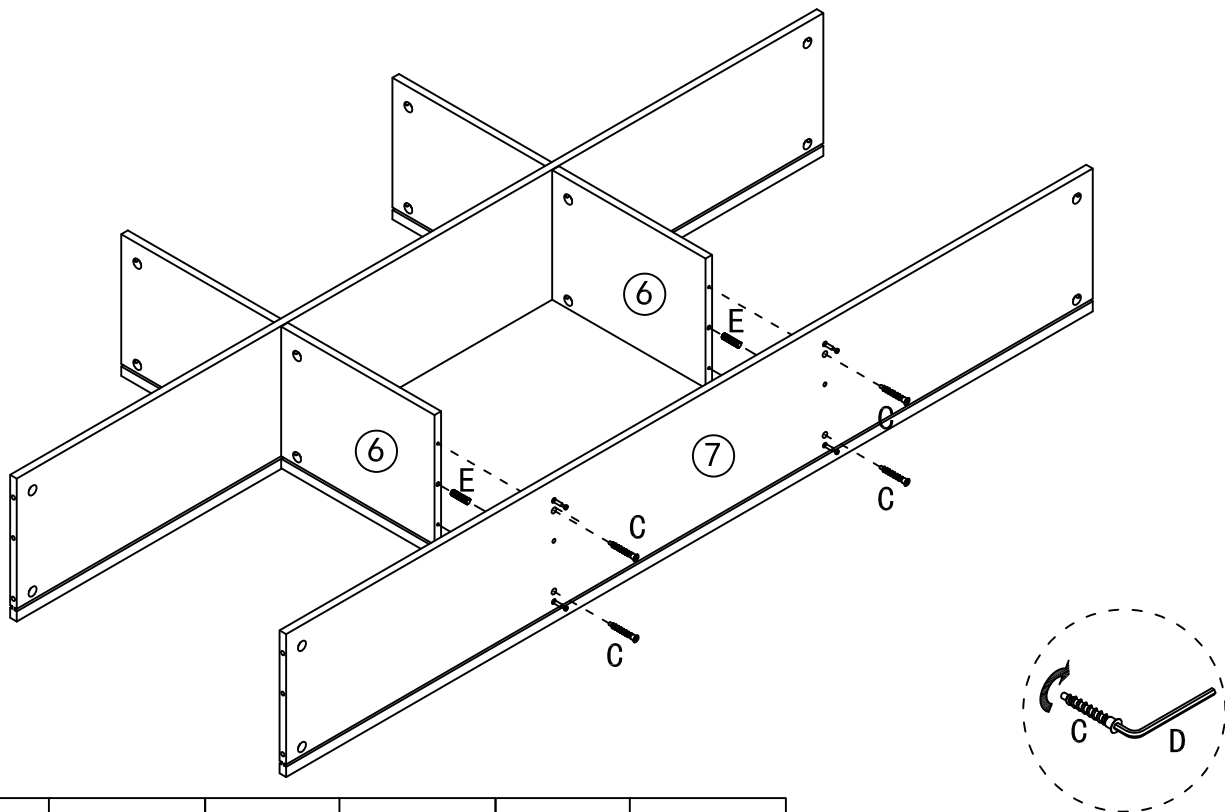




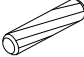
	A*4PCS		E*2PCS		F*4PCS
---	--------	---	--------	---	--------

# STEP 19

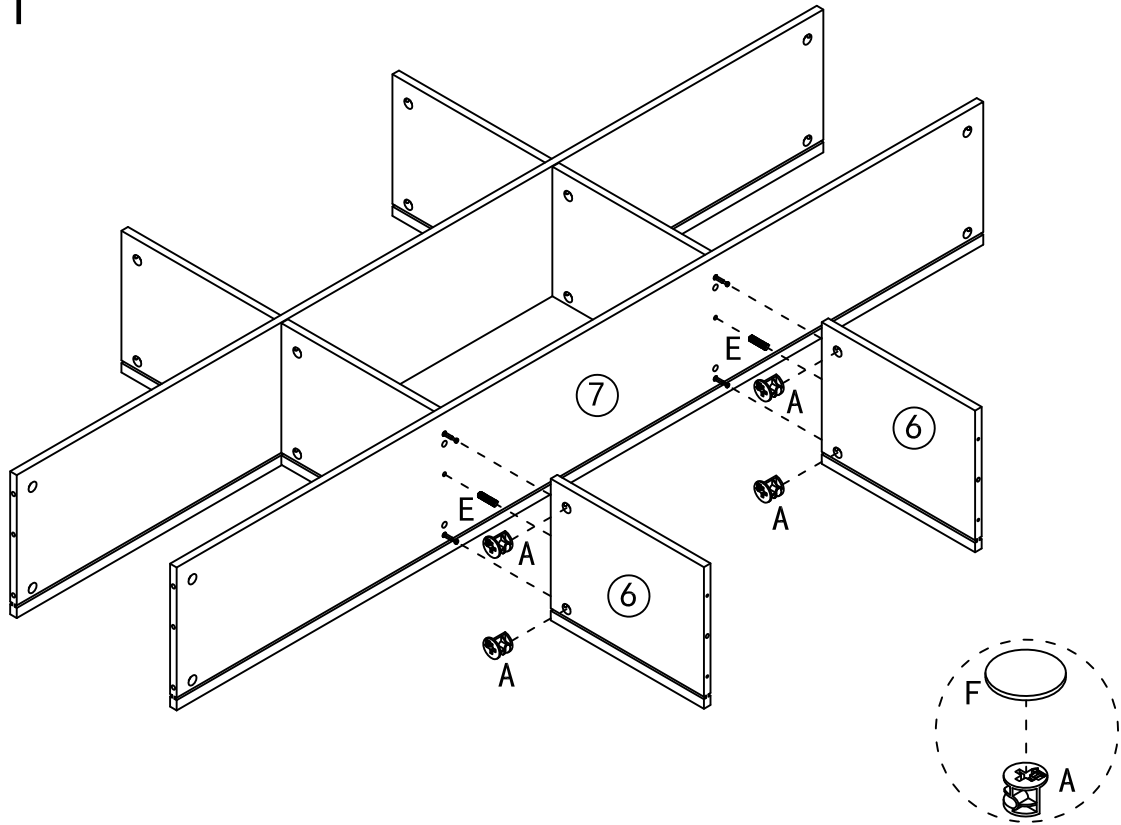



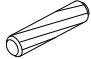

# STEP 20



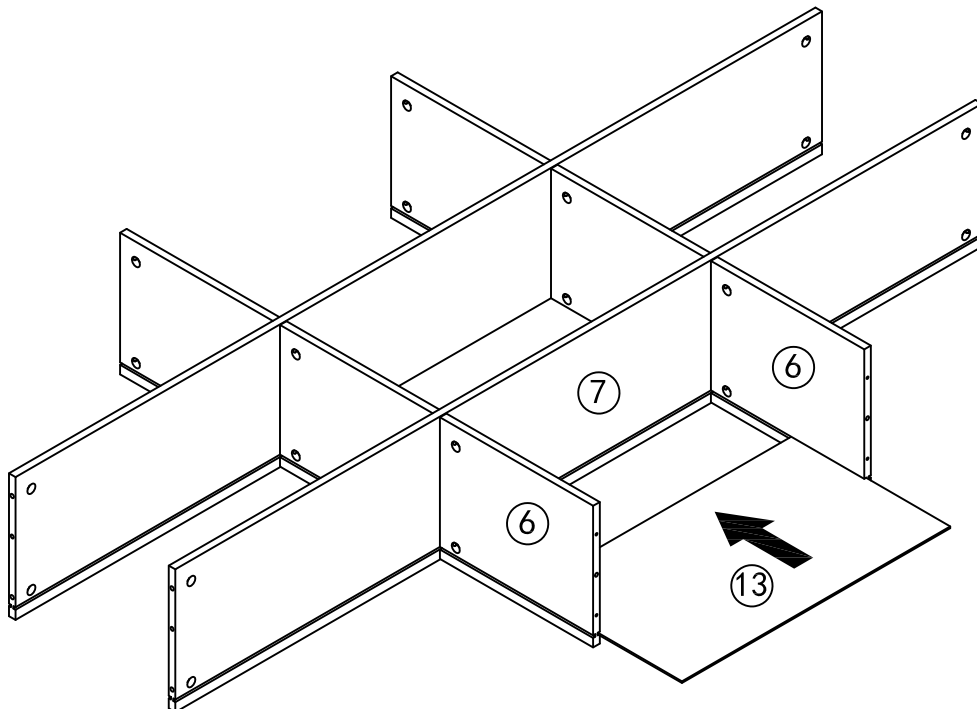
	C*4PCS		D*1PCS		E*2PCS
---	--------	---	--------	---	--------

# STEP 21

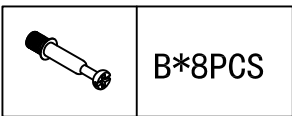
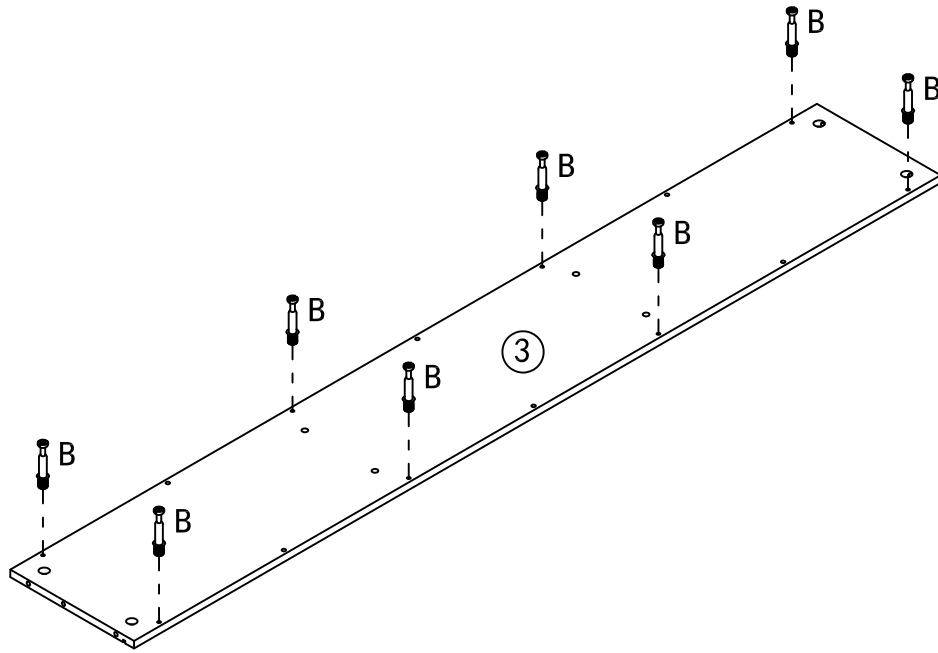


	A*4PCS		E*2PCS		F*4PCS
---	--------	---	--------	---	--------

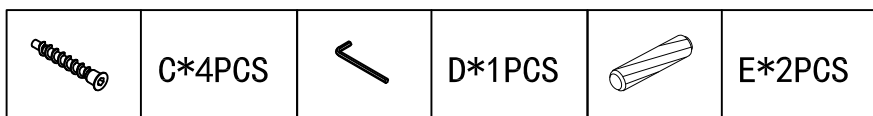
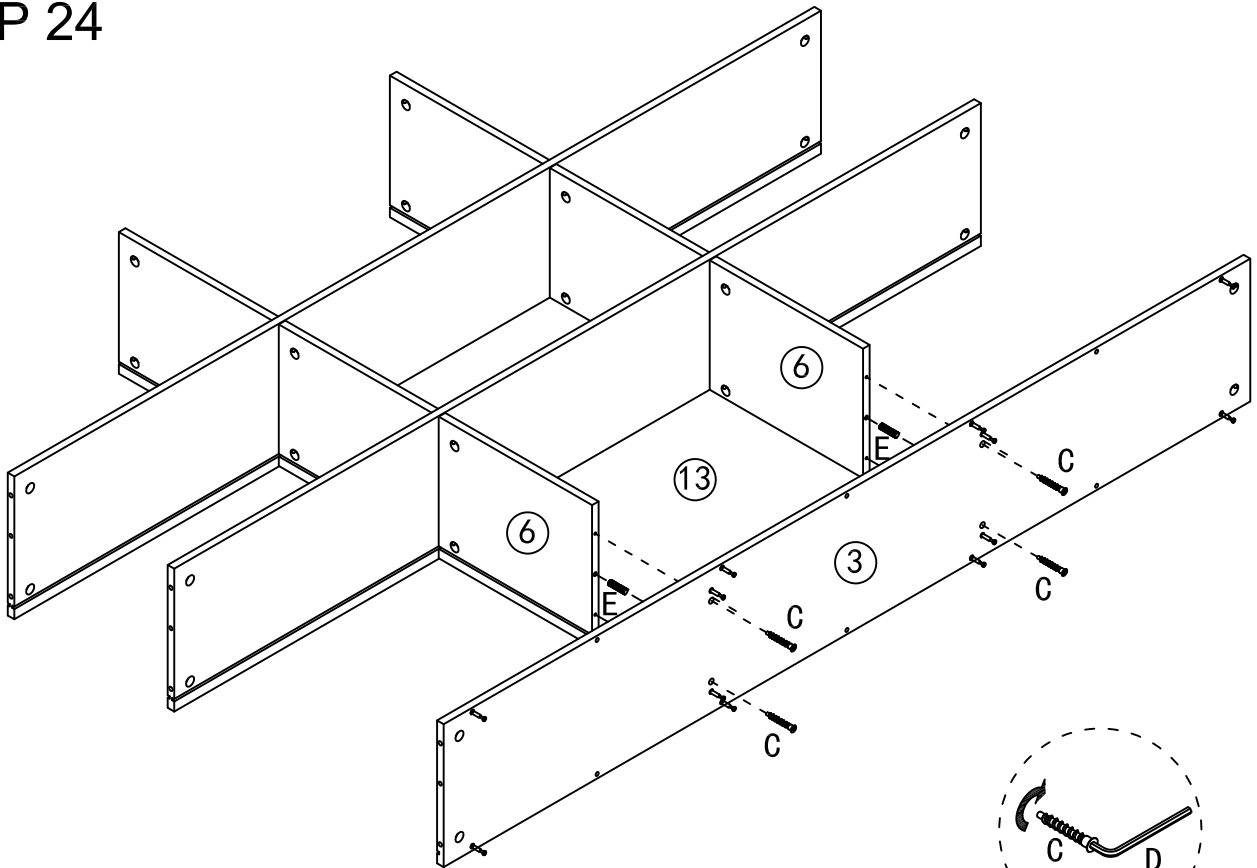
# STEP 22



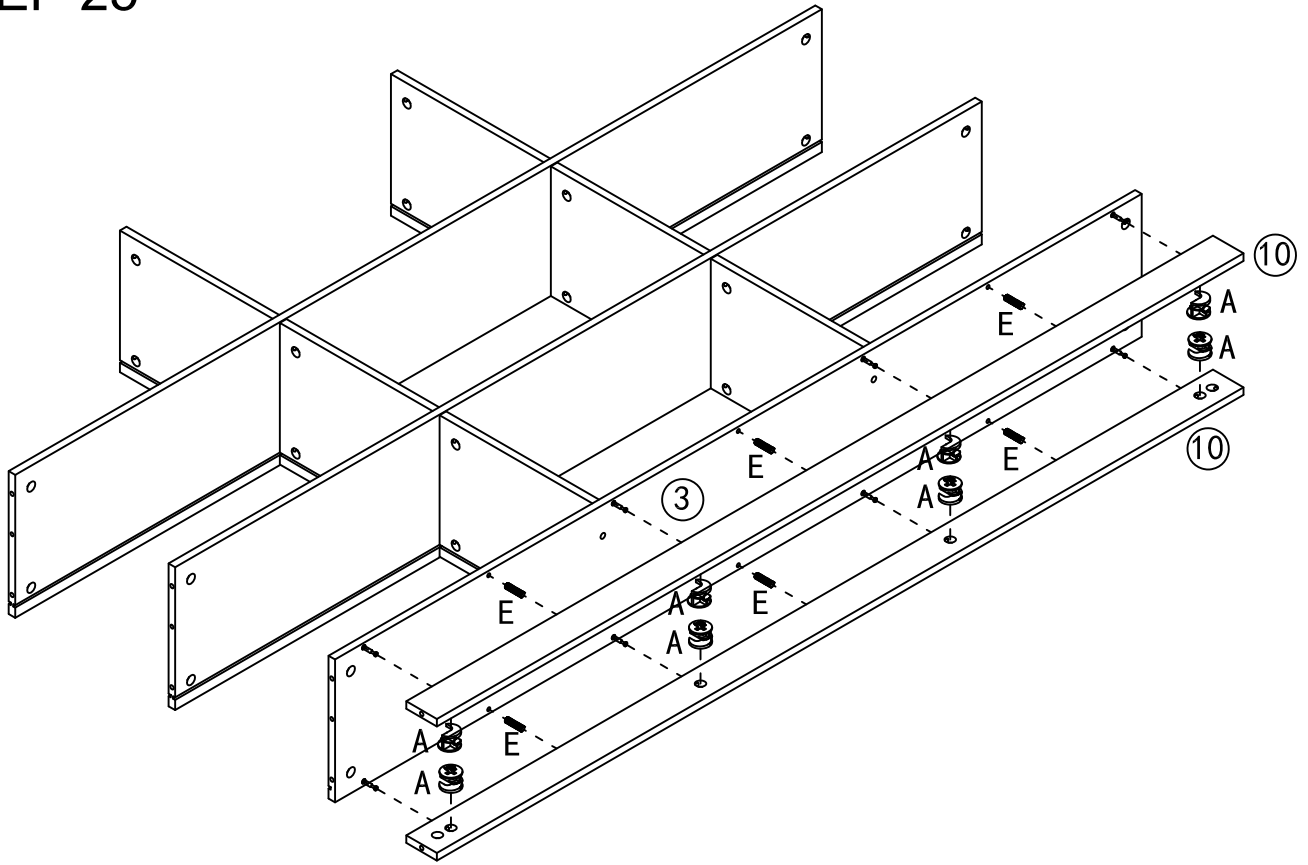
# STEP 23


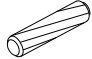


# STEP 24

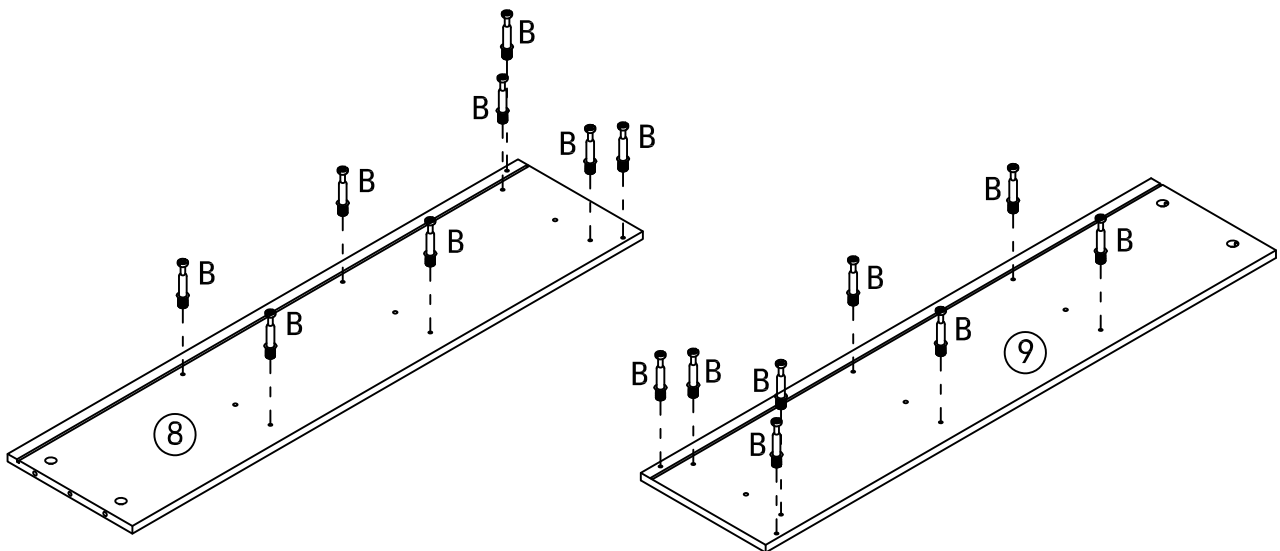



# STEP 25



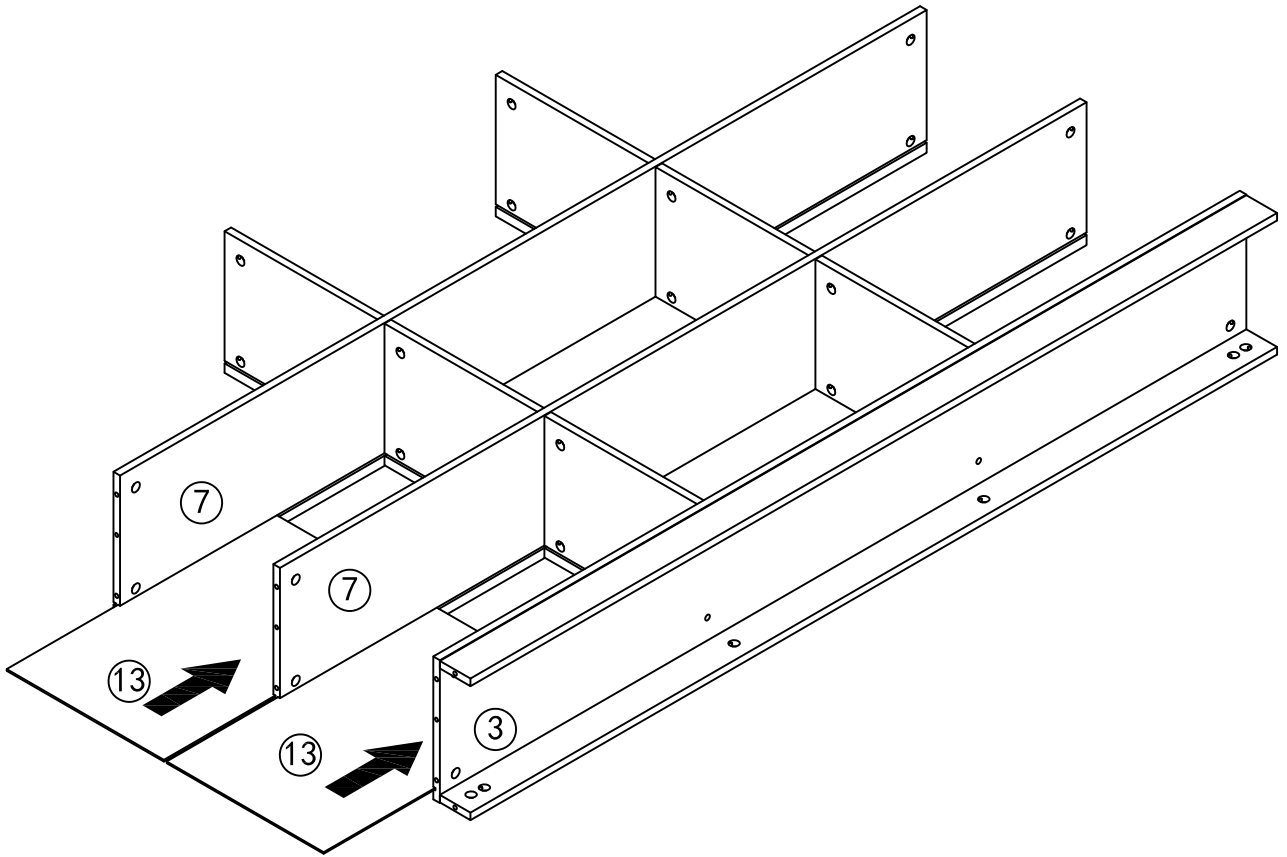
	A*8PCS		E*6PCS
---	--------	---	--------

# STEP 26

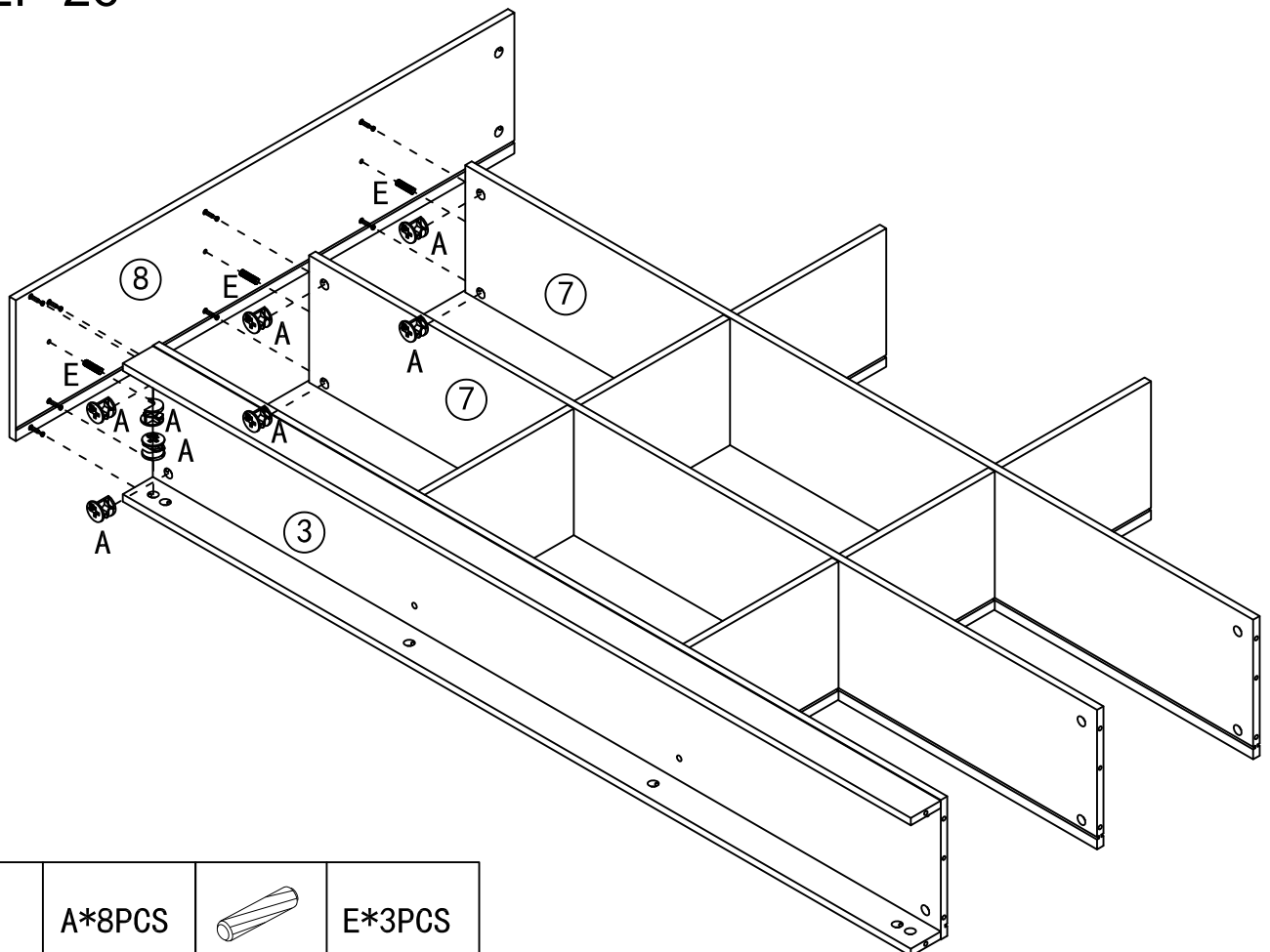



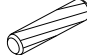
	B*16PCS
---	---------

# STEP 27

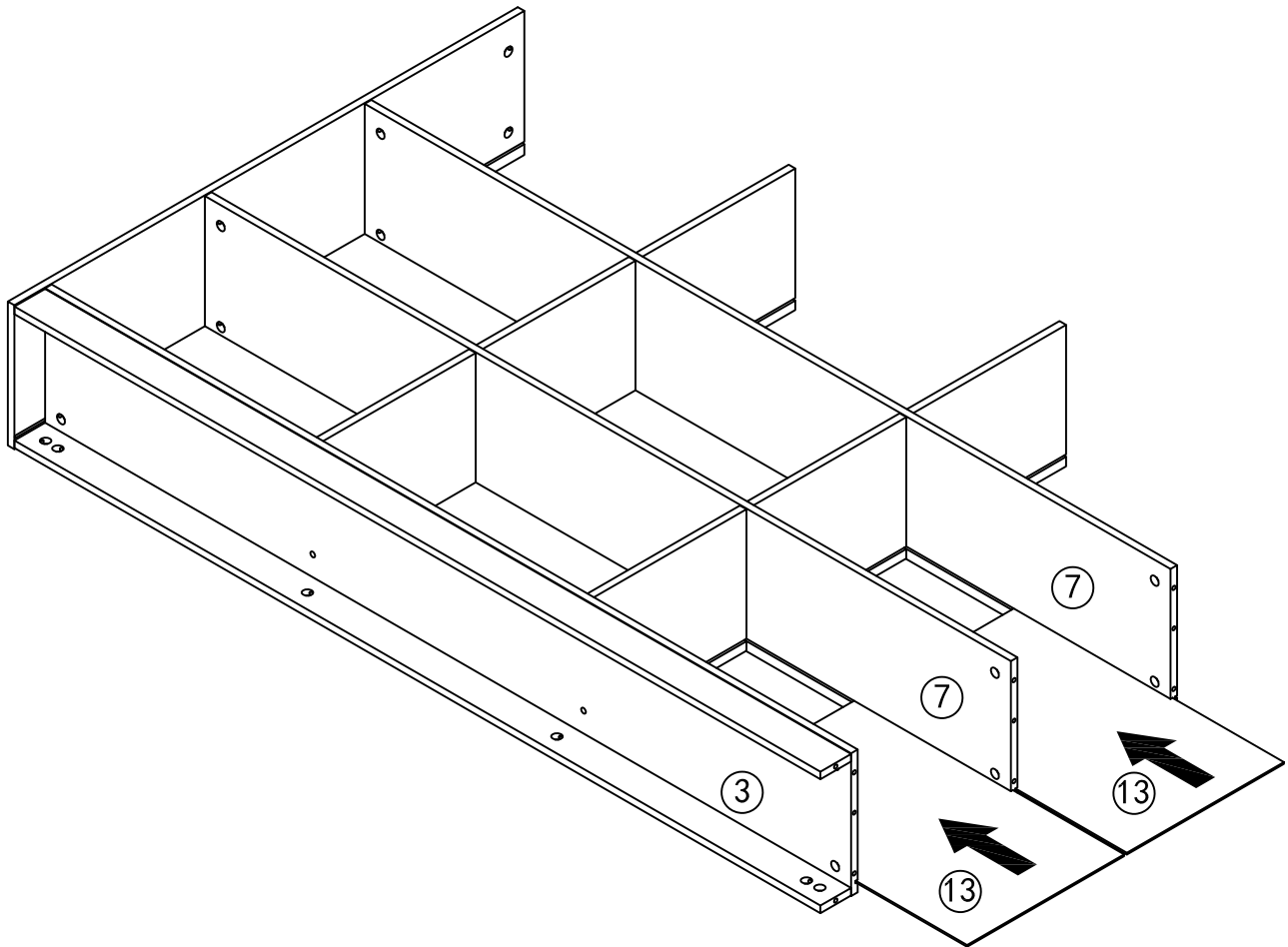


# STEP 26

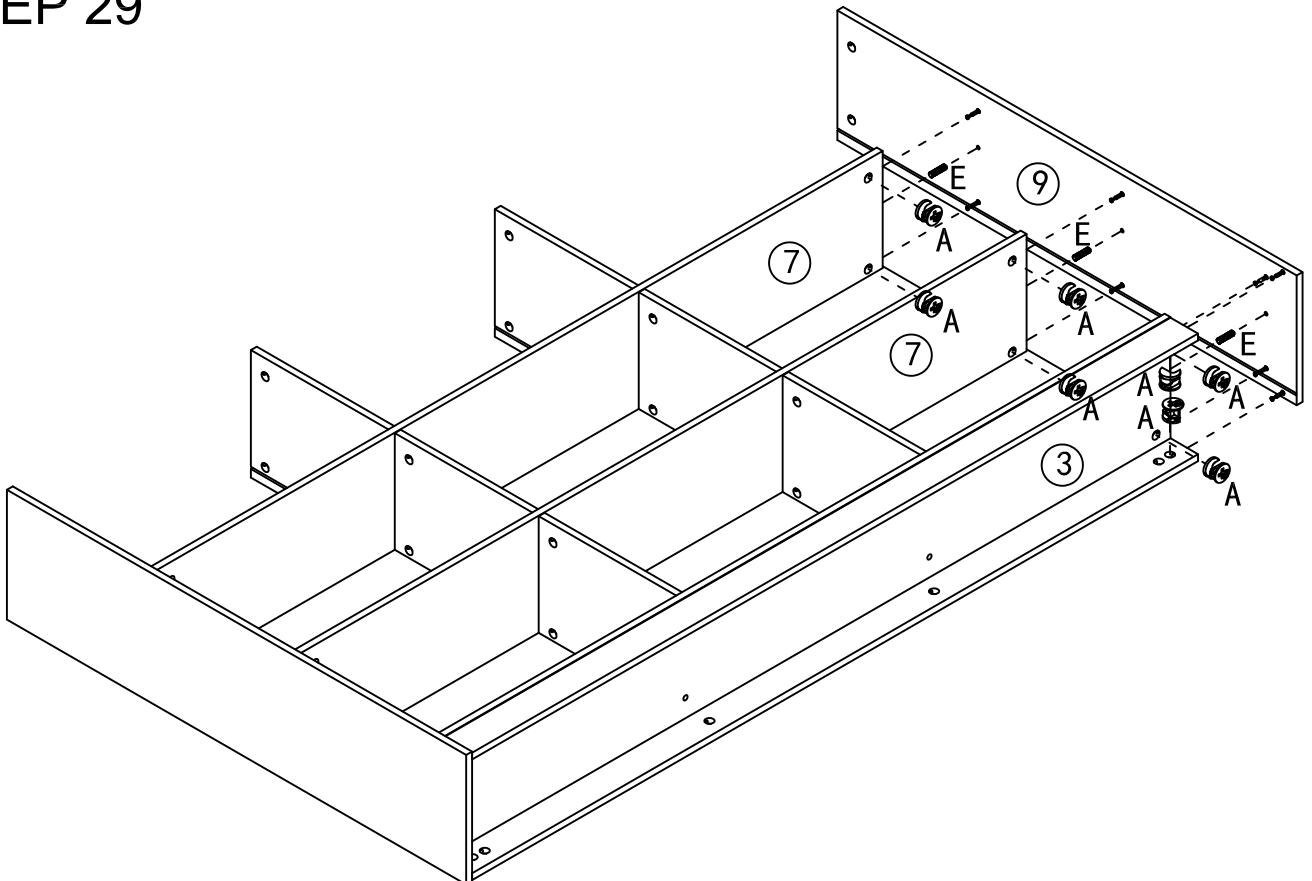



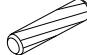
	A*8PCS		E*3PCS
---	--------	---	--------

# STEP 28

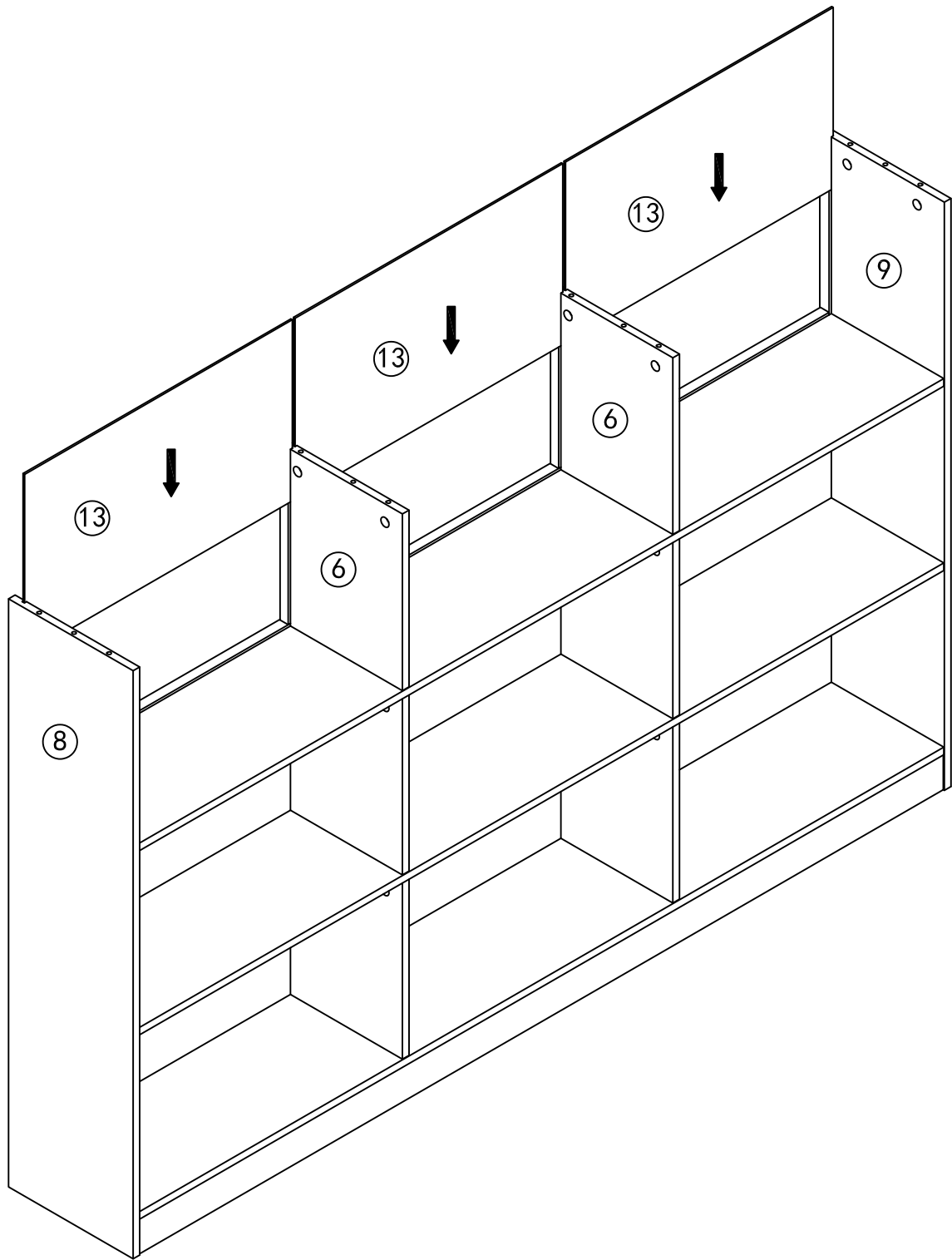


# STEP 29

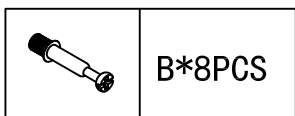
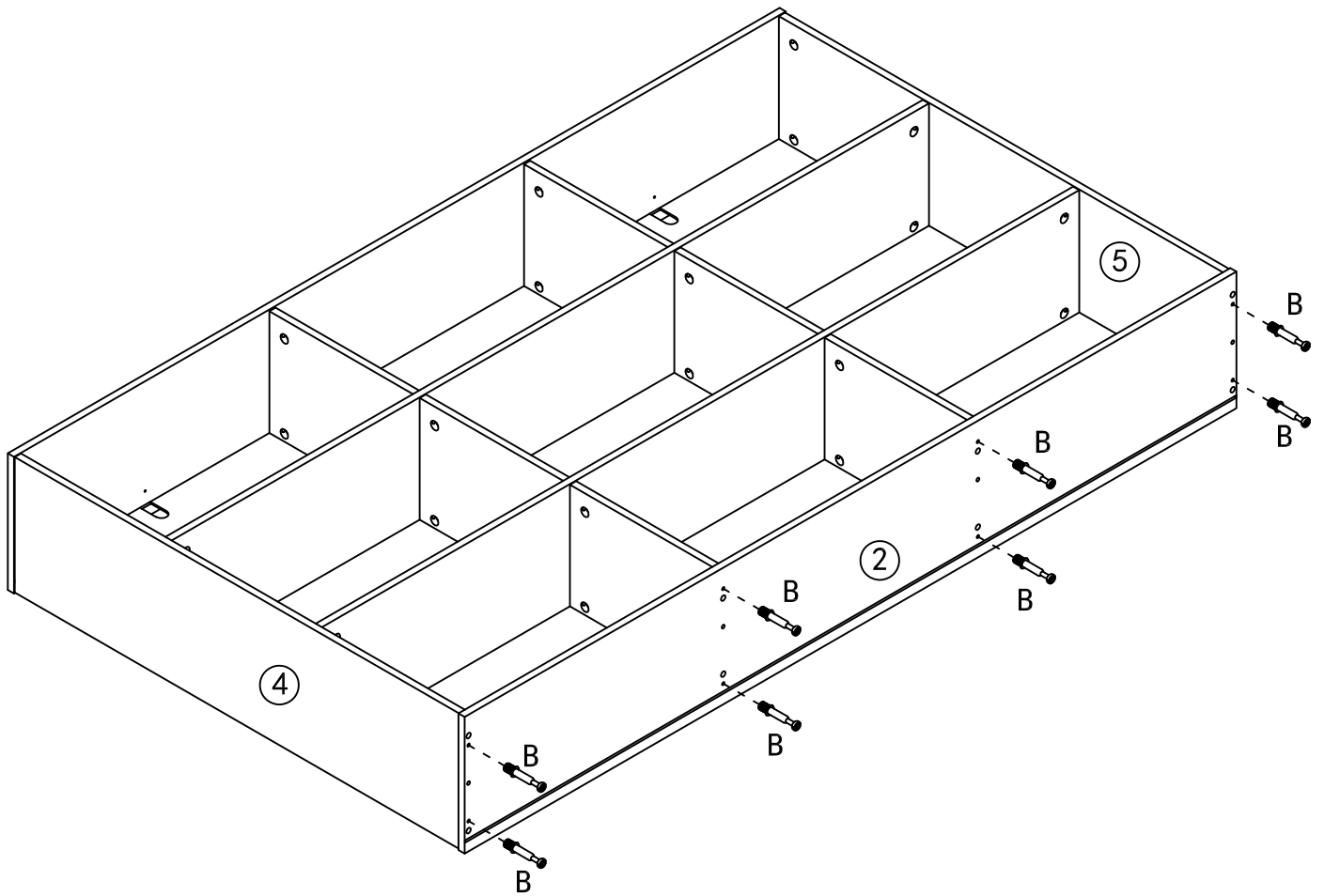


	A*8PCS		E*3PCS
---	--------	---	--------

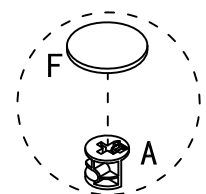
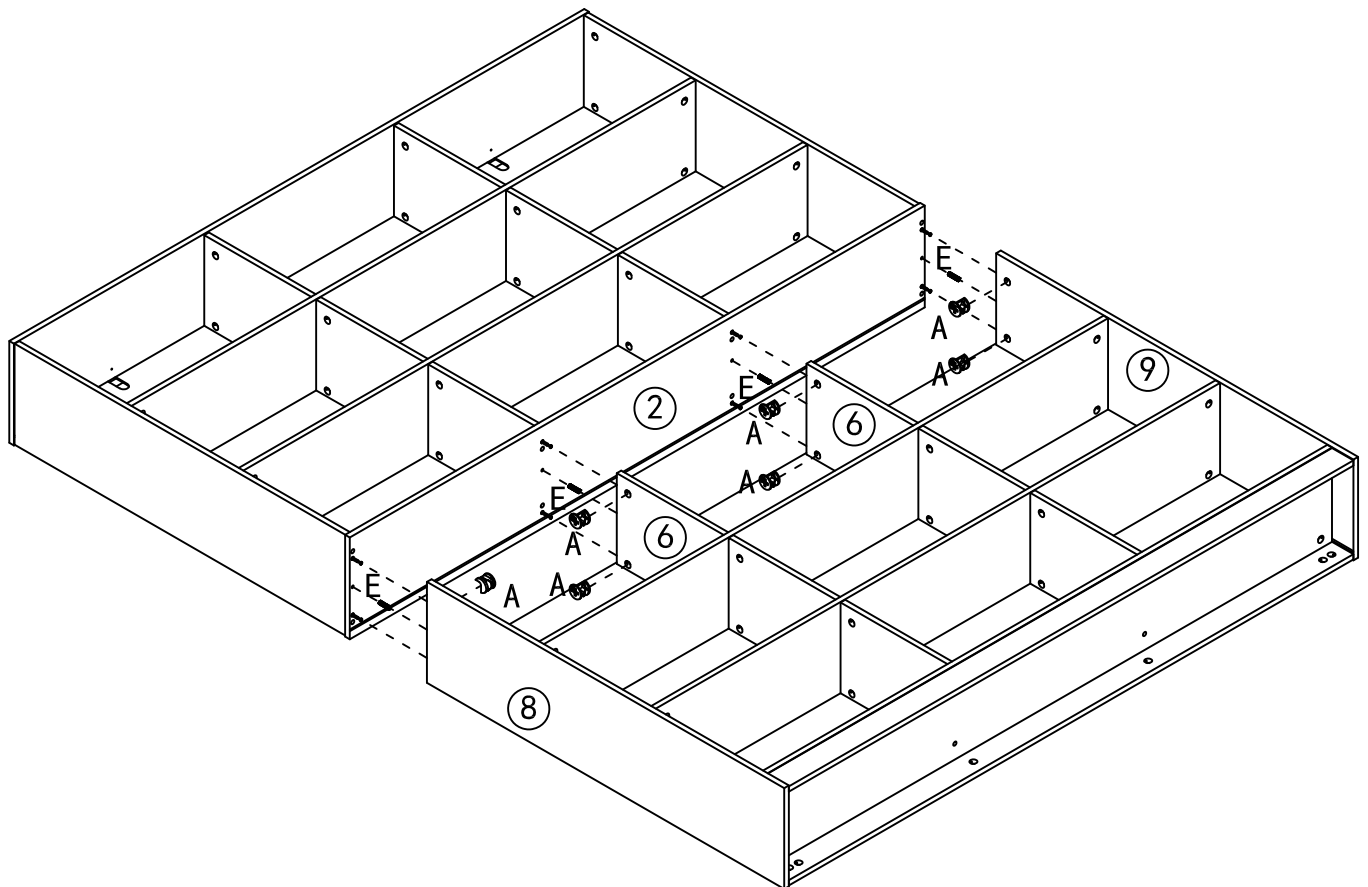
# STEP 30


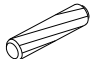



# STEP 31

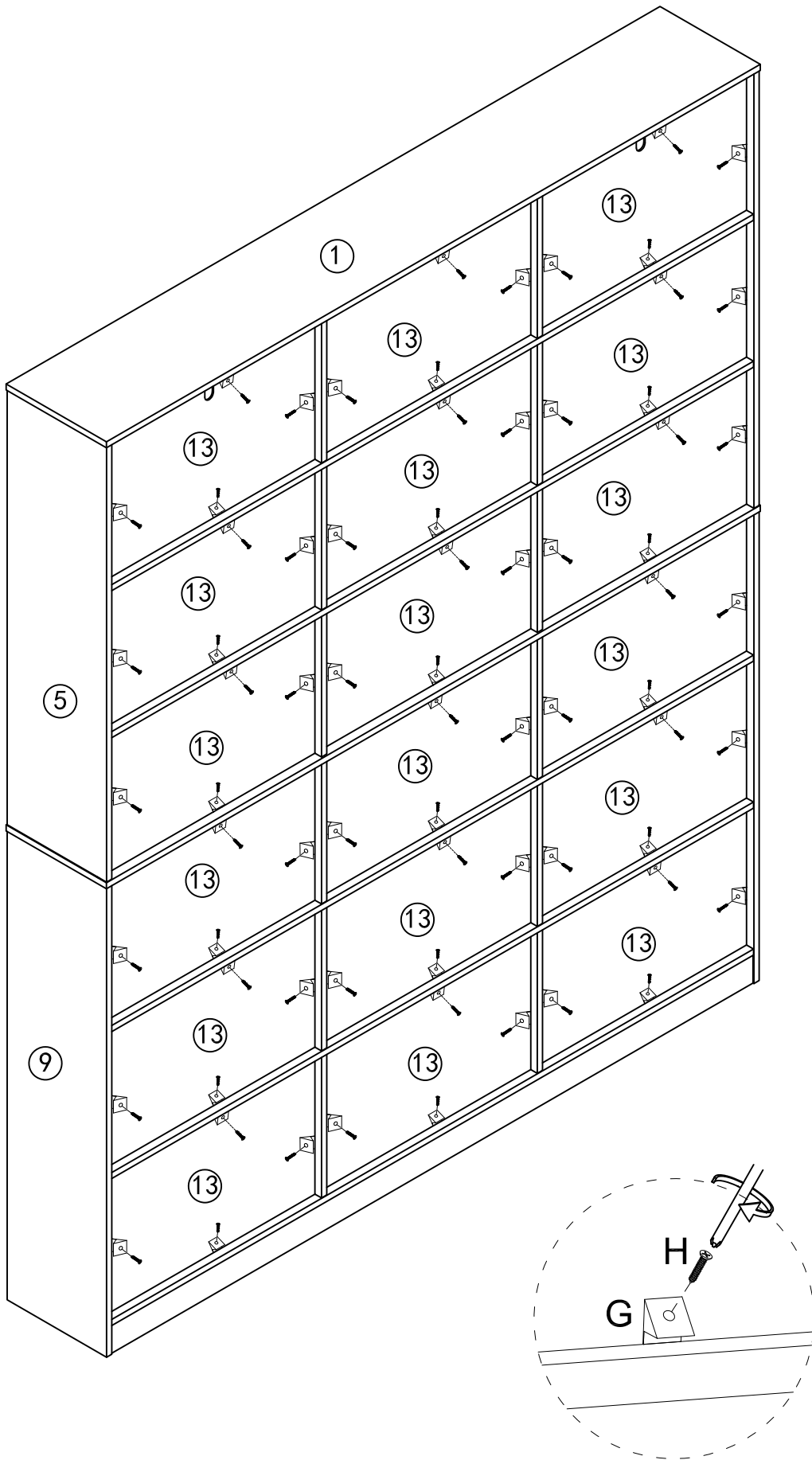




# STEP 32



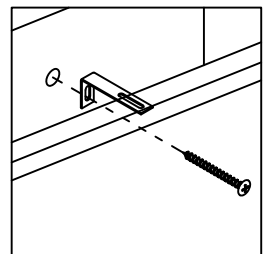
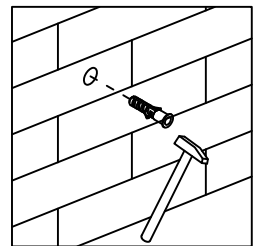
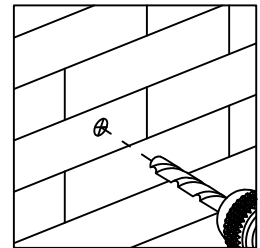
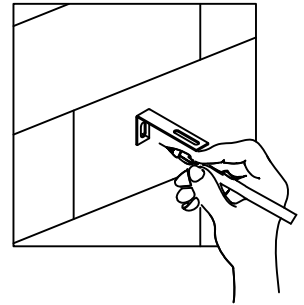
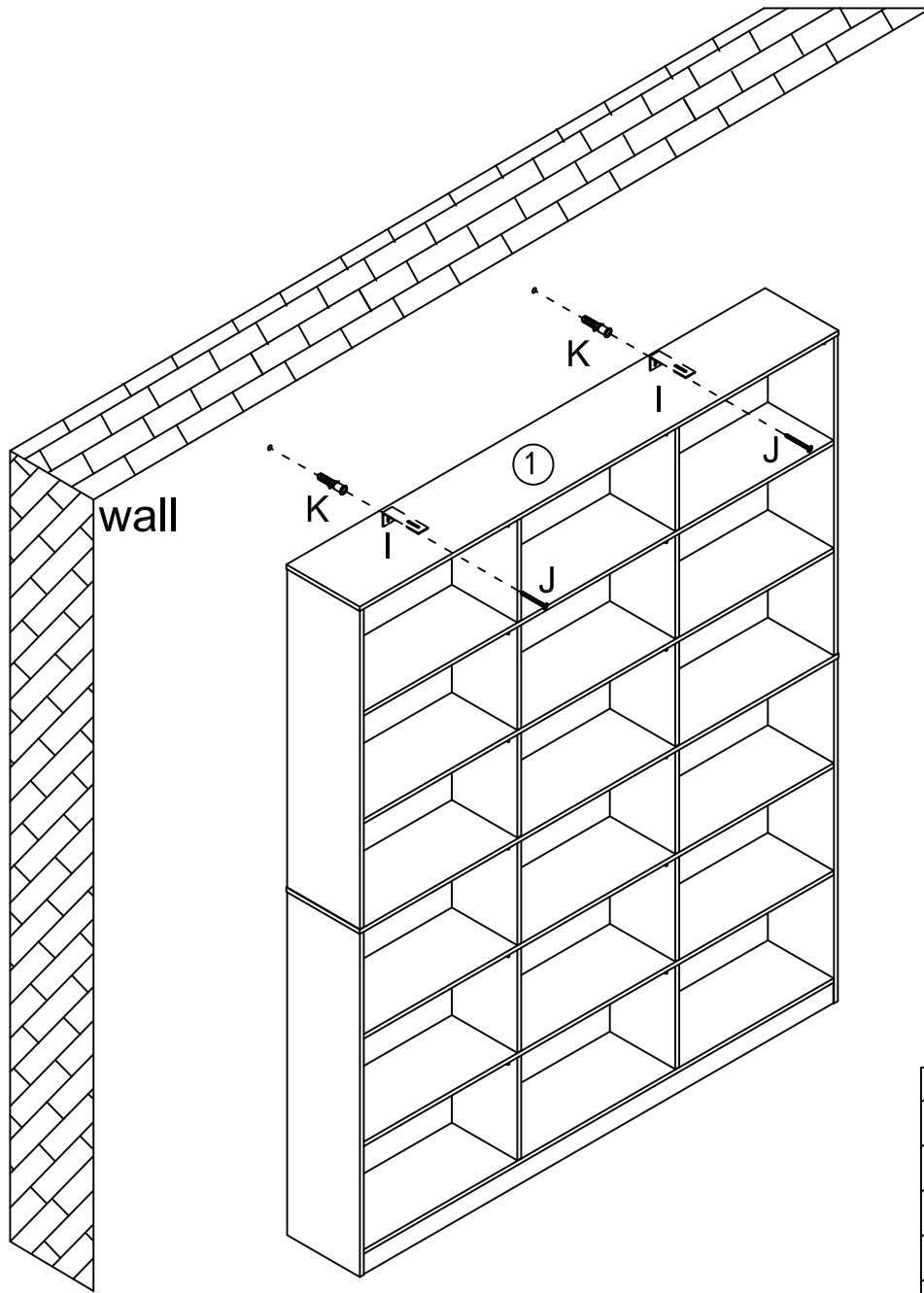
	A*8PCS		E*4PCS		F*8PCS
---	--------	---	--------	---	--------



# STEP 33



	G*72PCS		H*72PCS
---	---------	---	---------

# STEP 34



	J*2PCS		K*2PCS
---	--------	---	--------