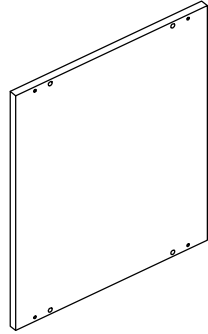


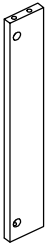
Ax1



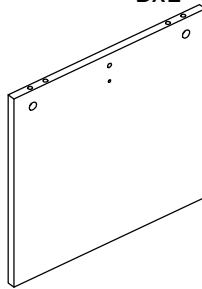
Bx1



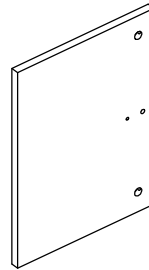
Cx1



Dx1



Ex2
 $\frac{385 \times 400}{15.16 \times 15.75}$



Fx2
 $\frac{285 \times 400}{11.22 \times 15.75}$



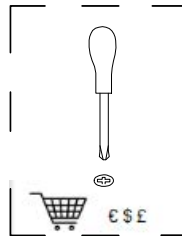
Gx12



Hx12



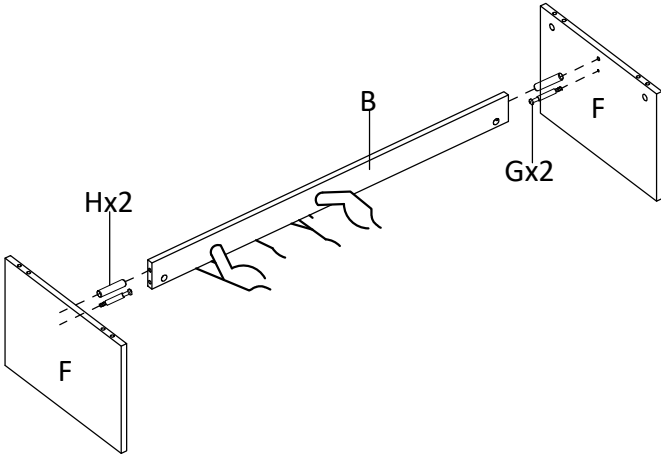
Ix12



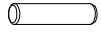
mm
inch

x2

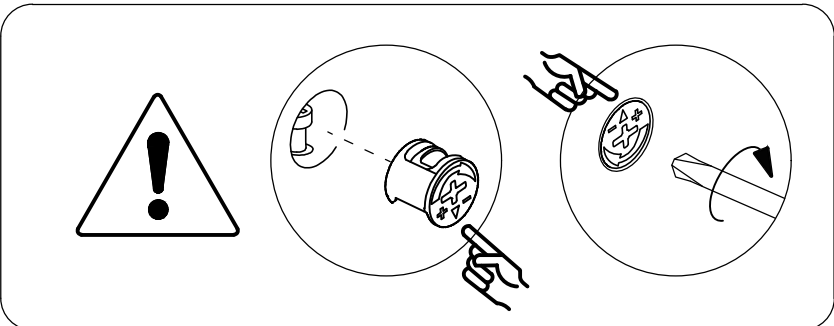
1



Hx2

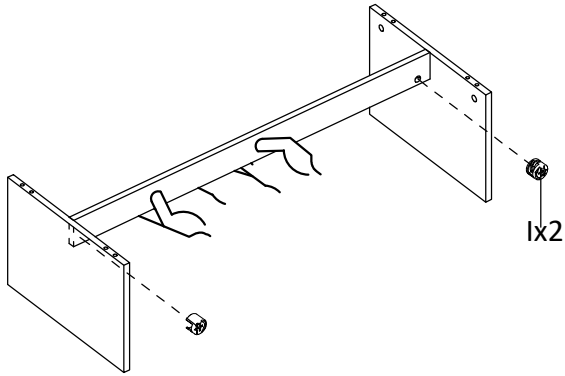


Gx2



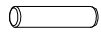
2

Ix2

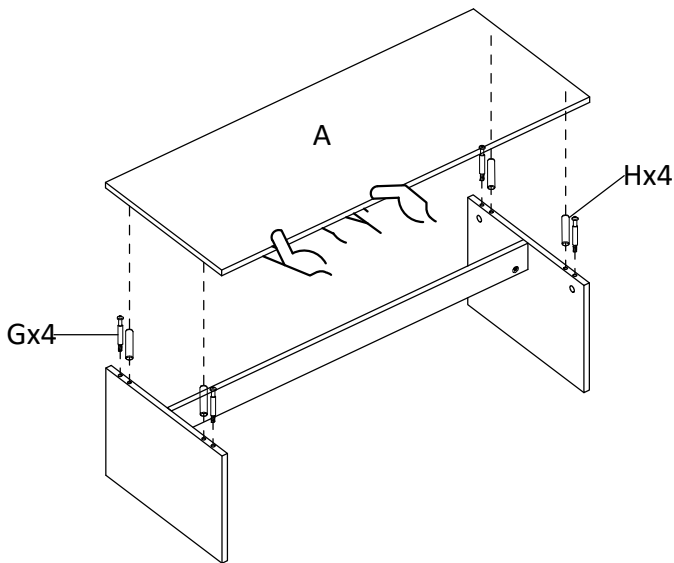
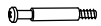


3

Hx4

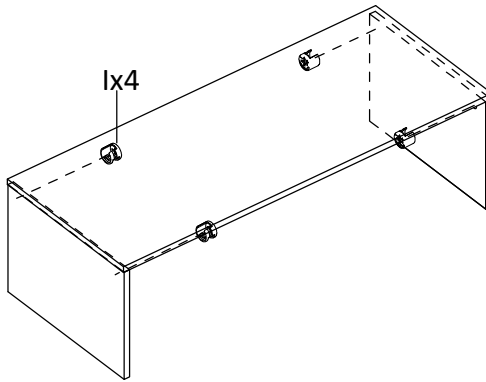


Gx4



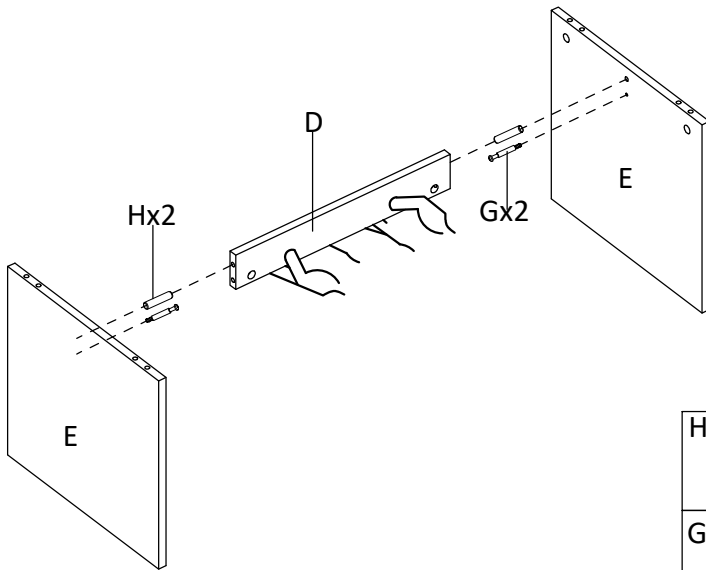
4

Ix4

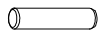


a

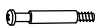
5



Hx2

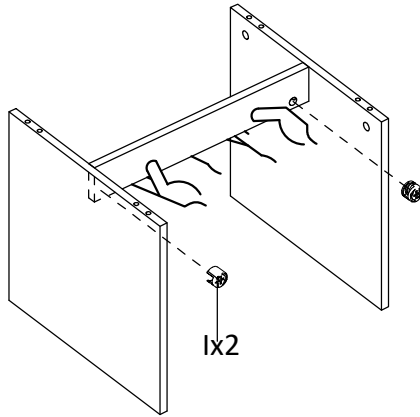


Gx2



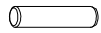
6

Ix2

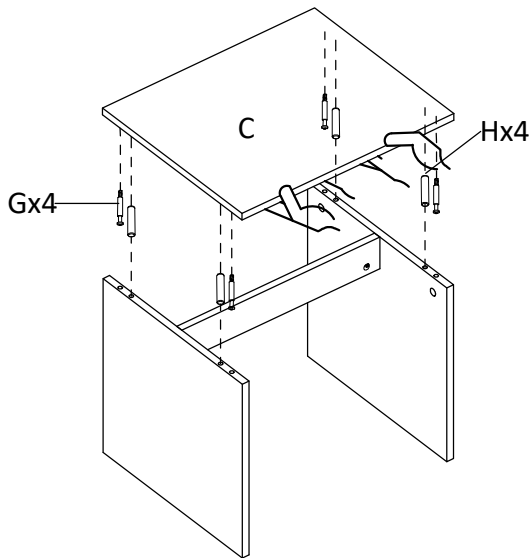
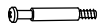


7

Hx4

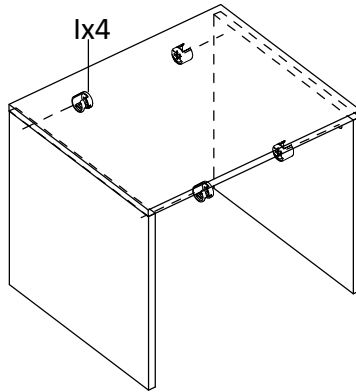


Gx4



8

1x4



c

9

