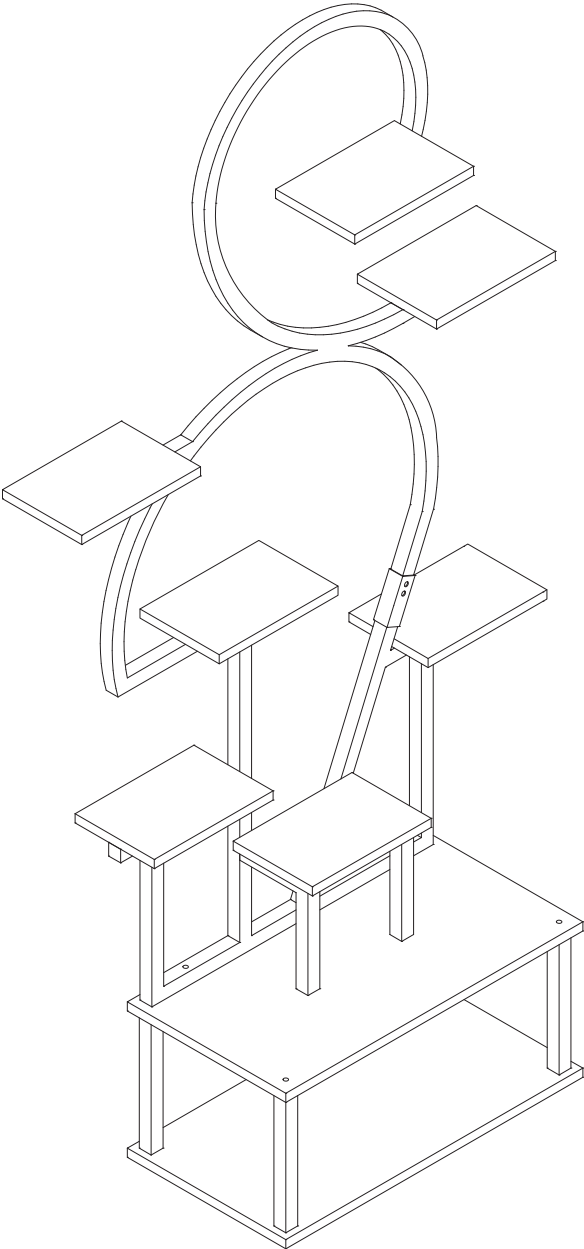
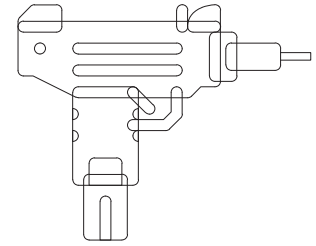
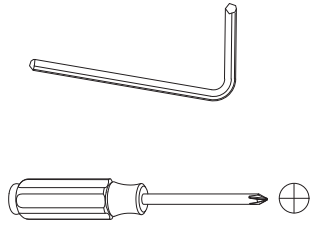
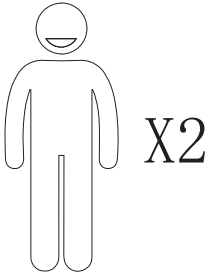
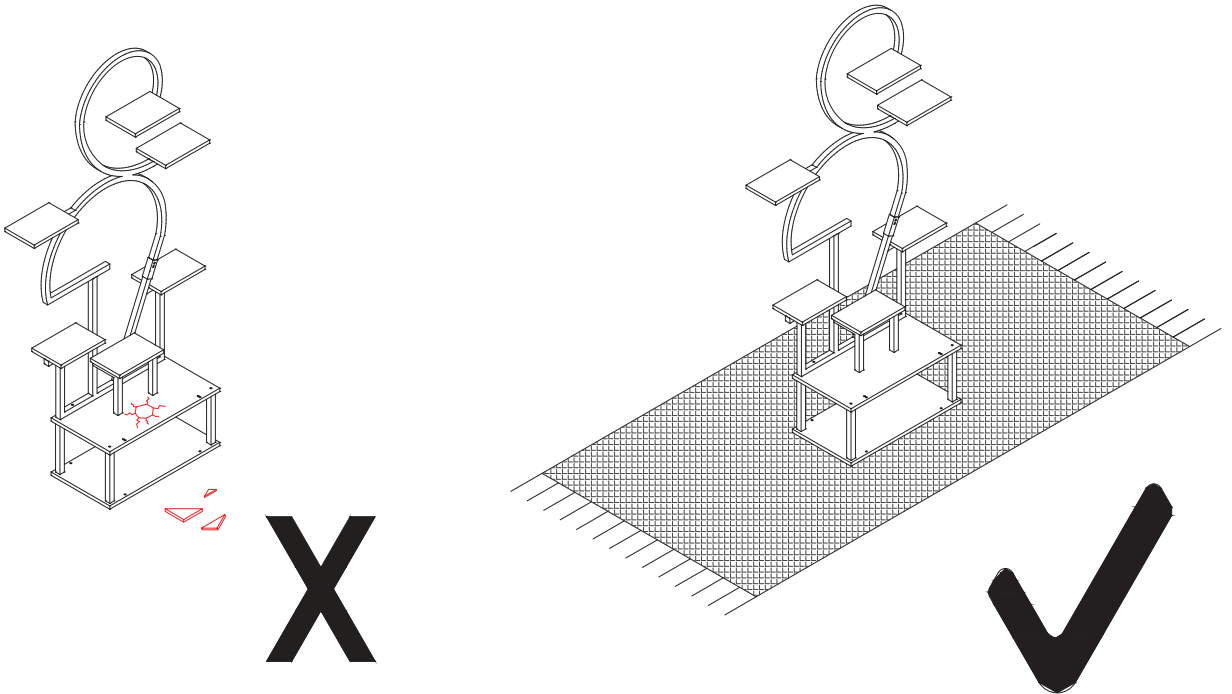
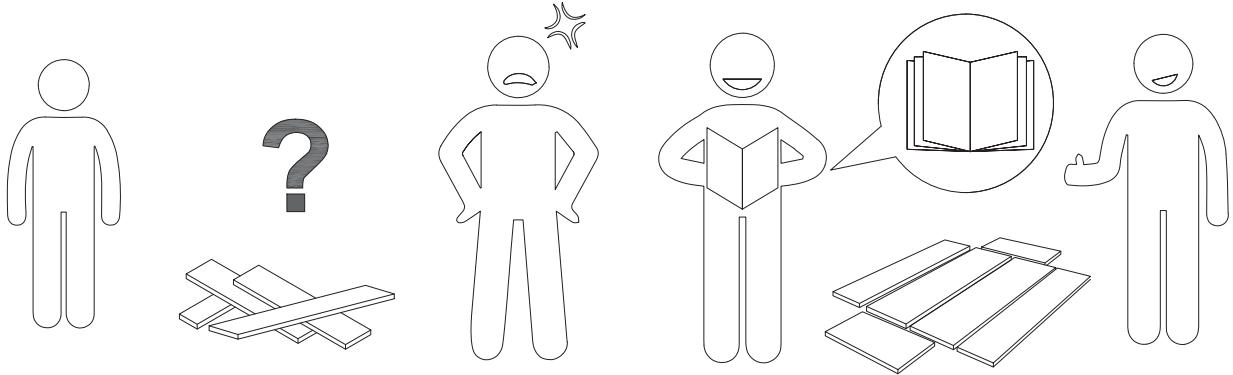
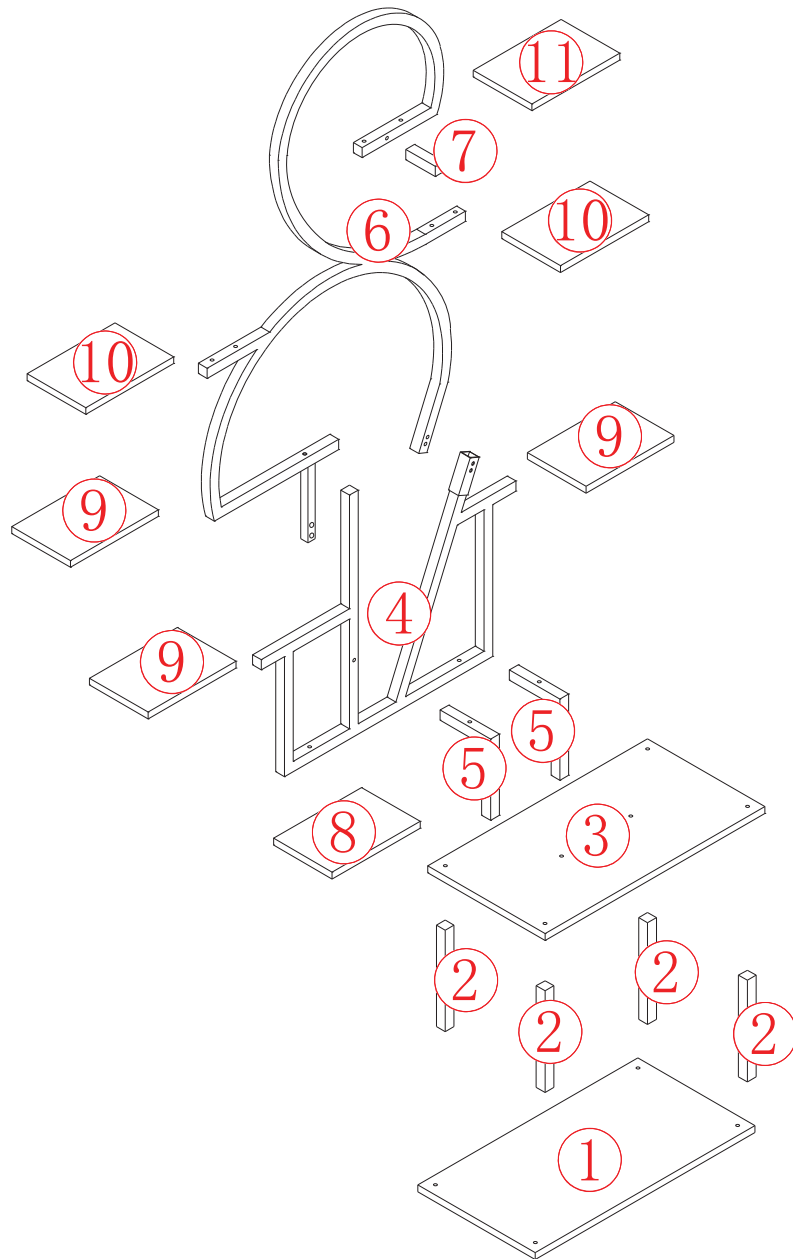

Assembly Instructions





When using the electric screwdriver ,
Reduce the power and torque to avoid damaging the furniture

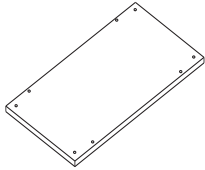

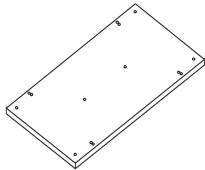
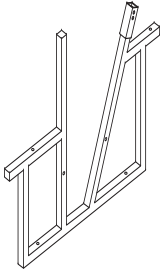
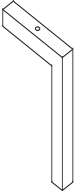
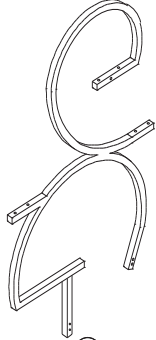
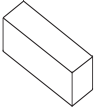
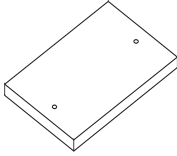
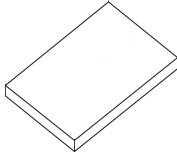
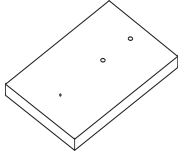
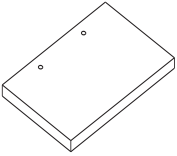








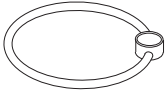
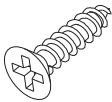

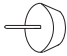
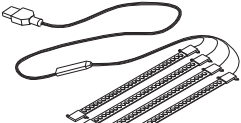
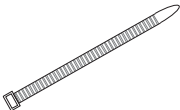
▲ Caution

Make sure all parts are included. Most board parts are labeled or stamped on the raw edge. Contact us for free replacement if having damaged or missing parts.

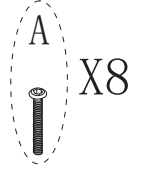
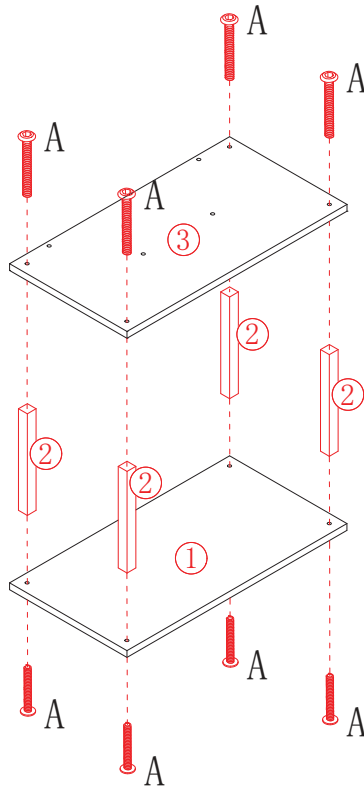
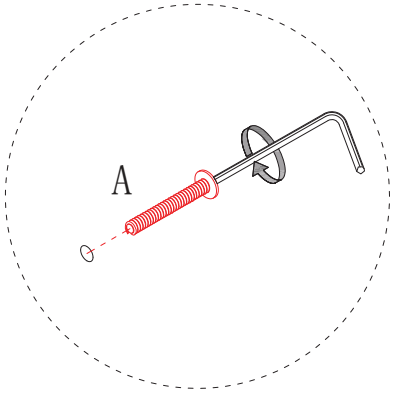
Parts & Hardware List

 <p>1 1pc</p>	 <p>2 4pc</p>	 <p>3 1pc</p>	 <p>4 1pc</p>	 <p>5 2pc</p>	
 <p>6 1pc</p>	 <p>7 1pc</p>	 <p>8 1pc</p>	 <p>9 3pc</p>	 <p>10 2pc</p>	 <p>11 1pc</p>

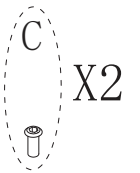
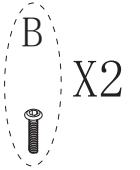
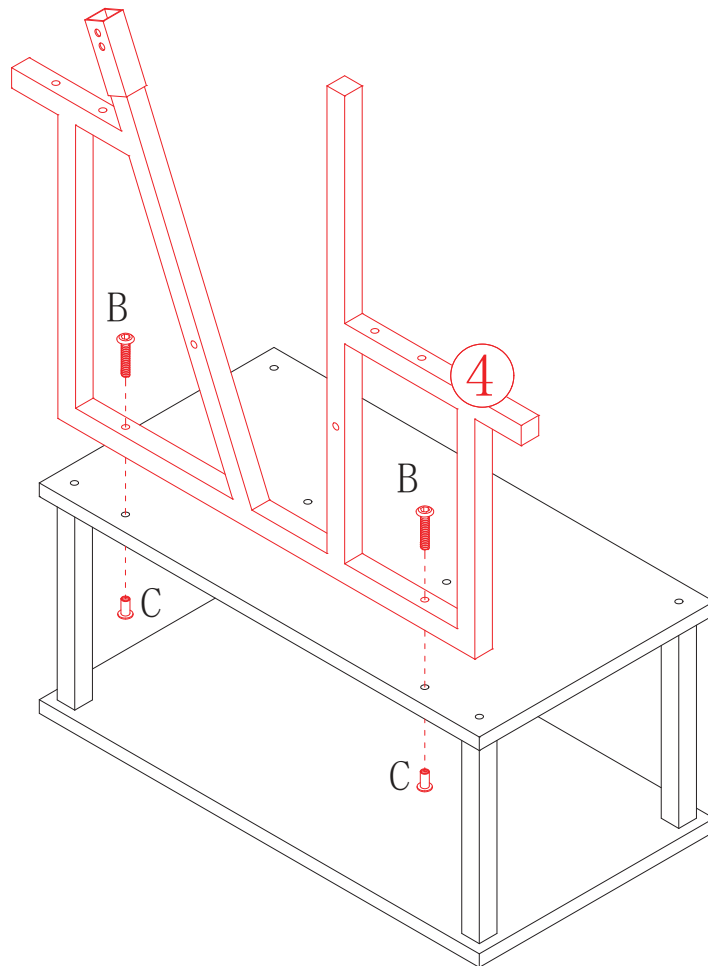
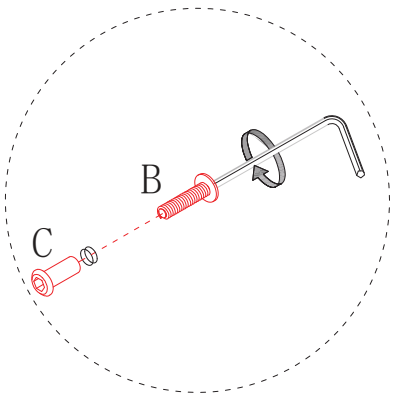
Parts & Hardware List

 <p>A 13pcs</p>	 <p>B 14pcs</p>	 <p>C 6pcs</p>	 <p>D 4pcs</p>	 <p>E 2pcs</p>
 <p>F 2pcs</p>	 <p>G 16pcs</p>	 <p>H 6pcs</p>	 <p>I 1pcs</p>	 <p>J 10pcs</p>

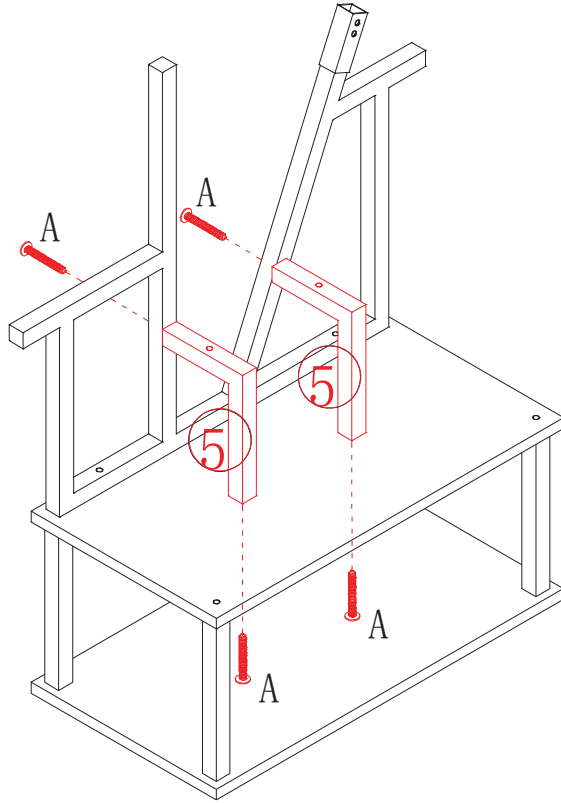
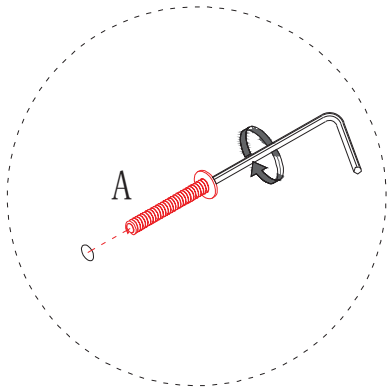
1



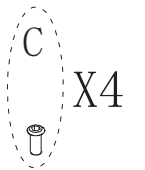
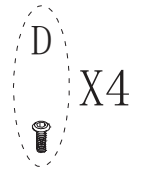
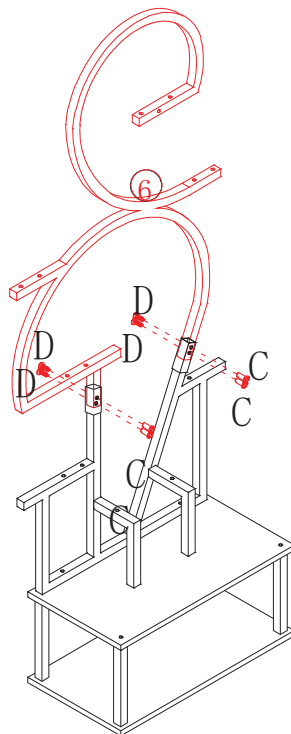
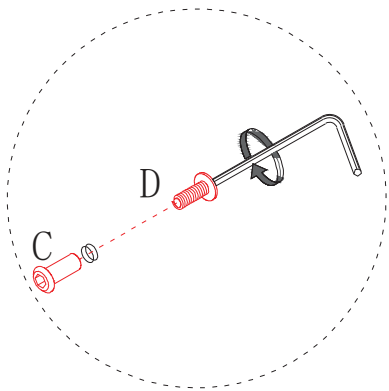
2



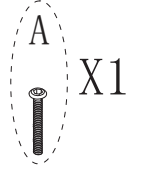
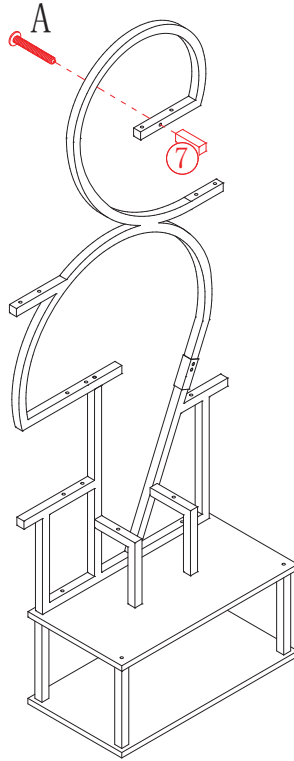
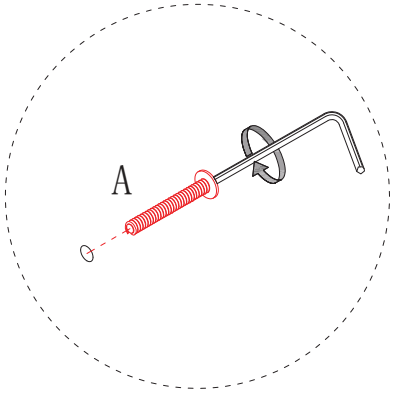
3



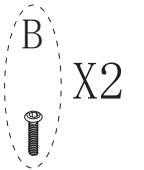
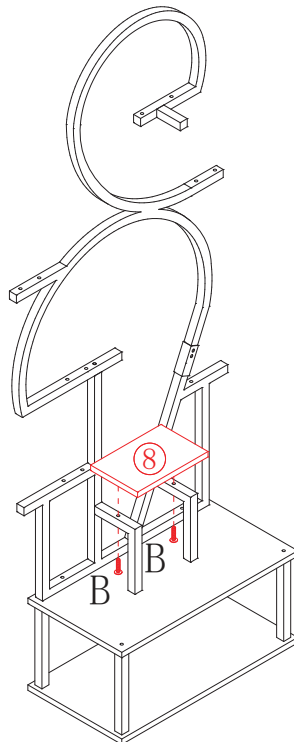
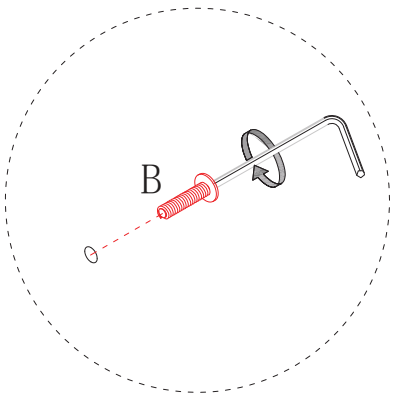
4



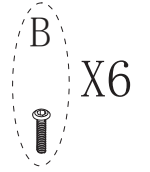
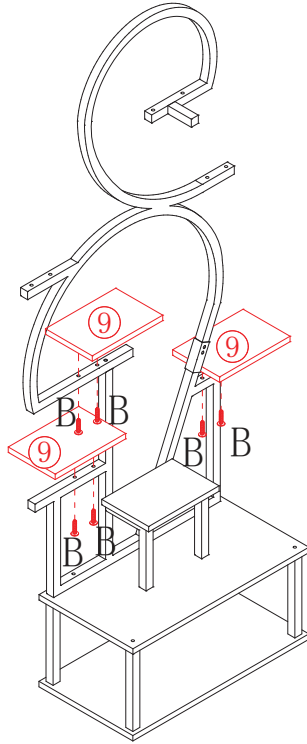
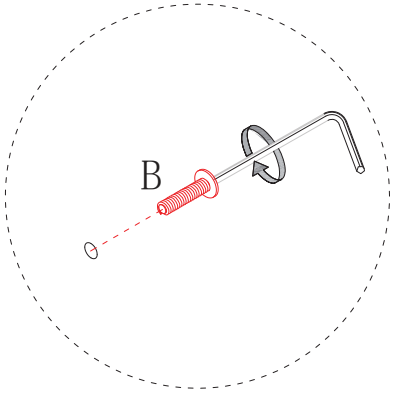
5



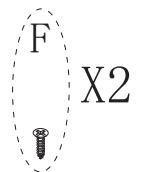
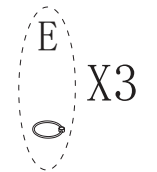
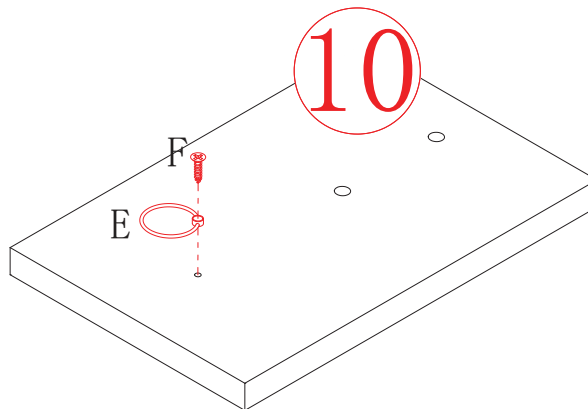
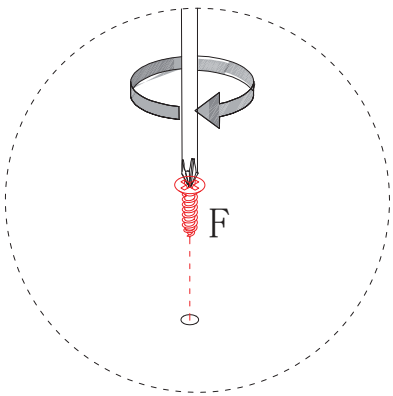
6



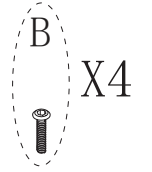
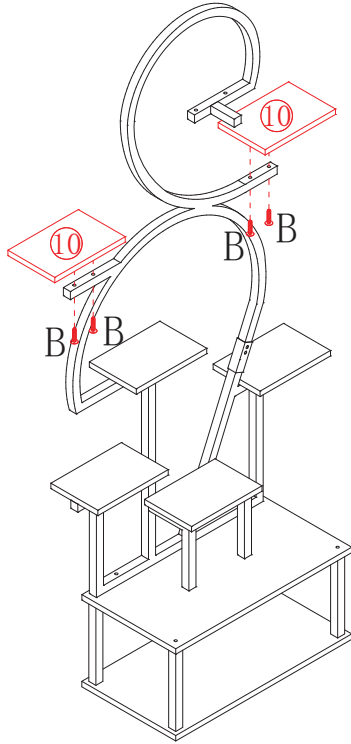
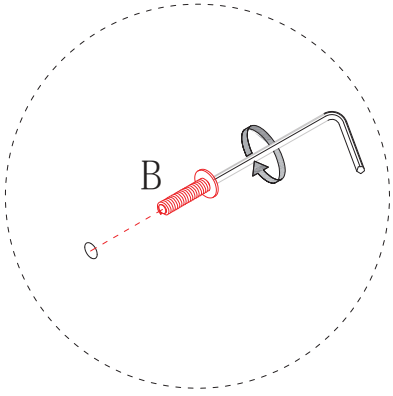
7



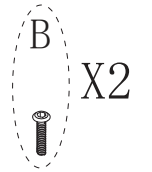
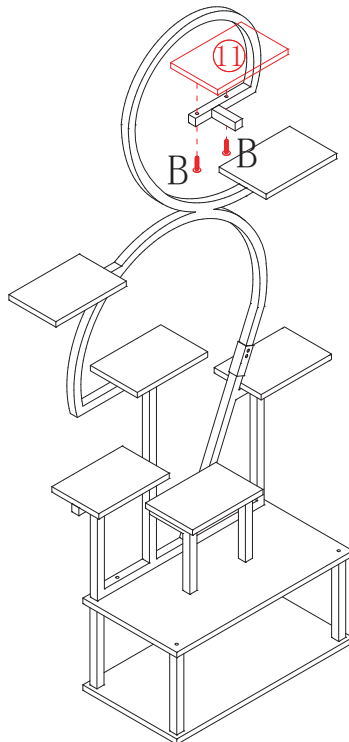
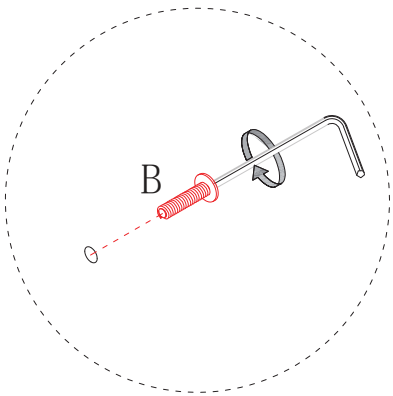
8



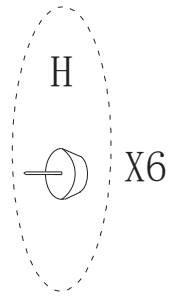
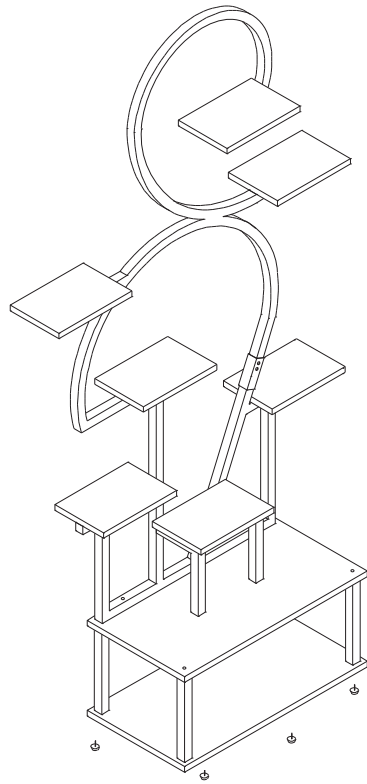
9



10



11



12

