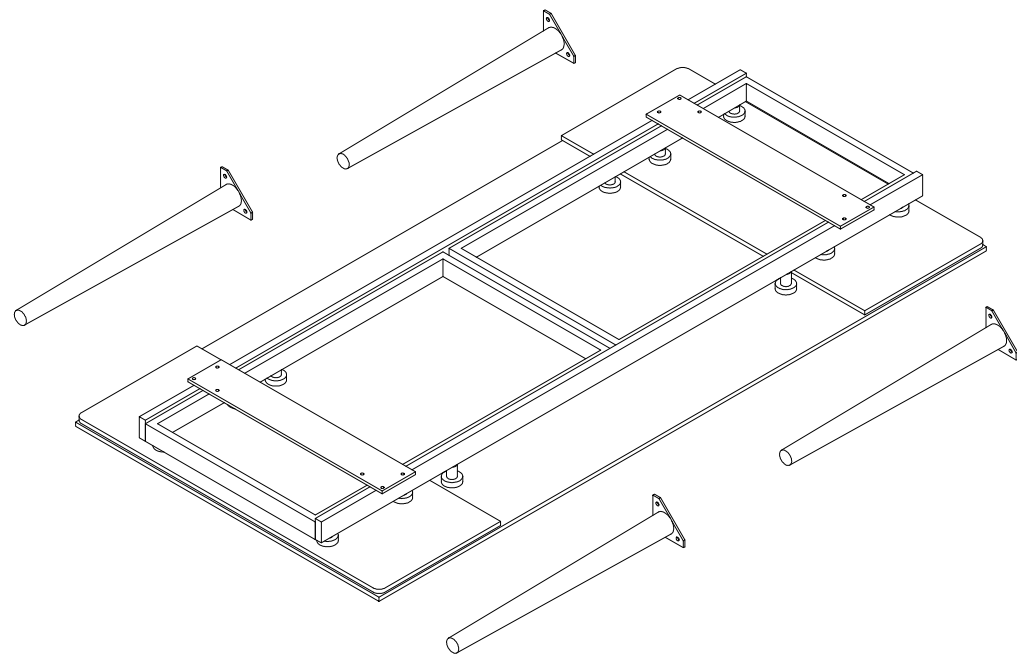


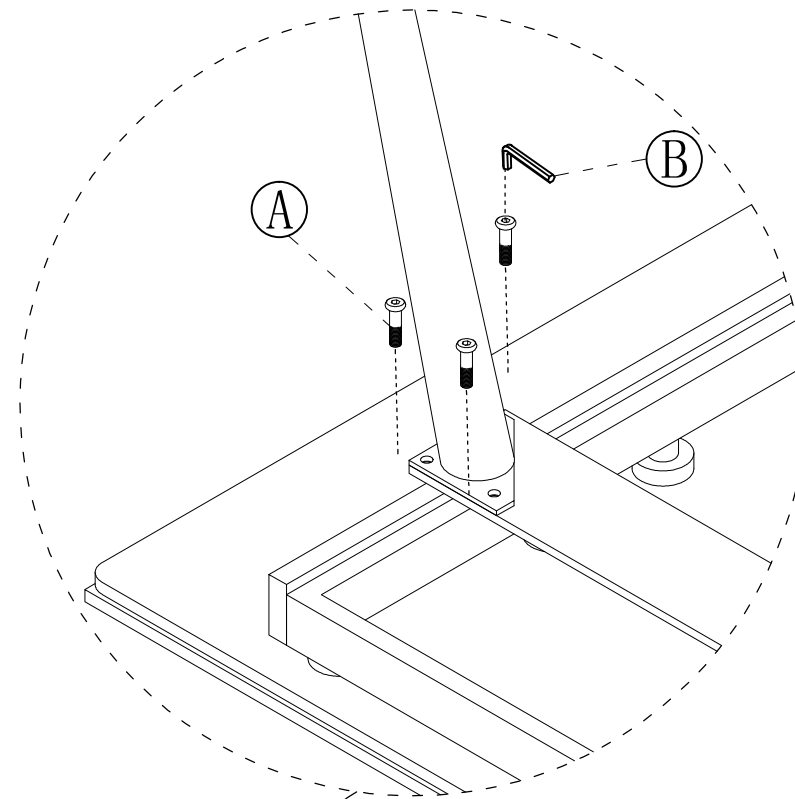
ASSEMBLY INSTRUCTION MODEL NO

FITTINGS

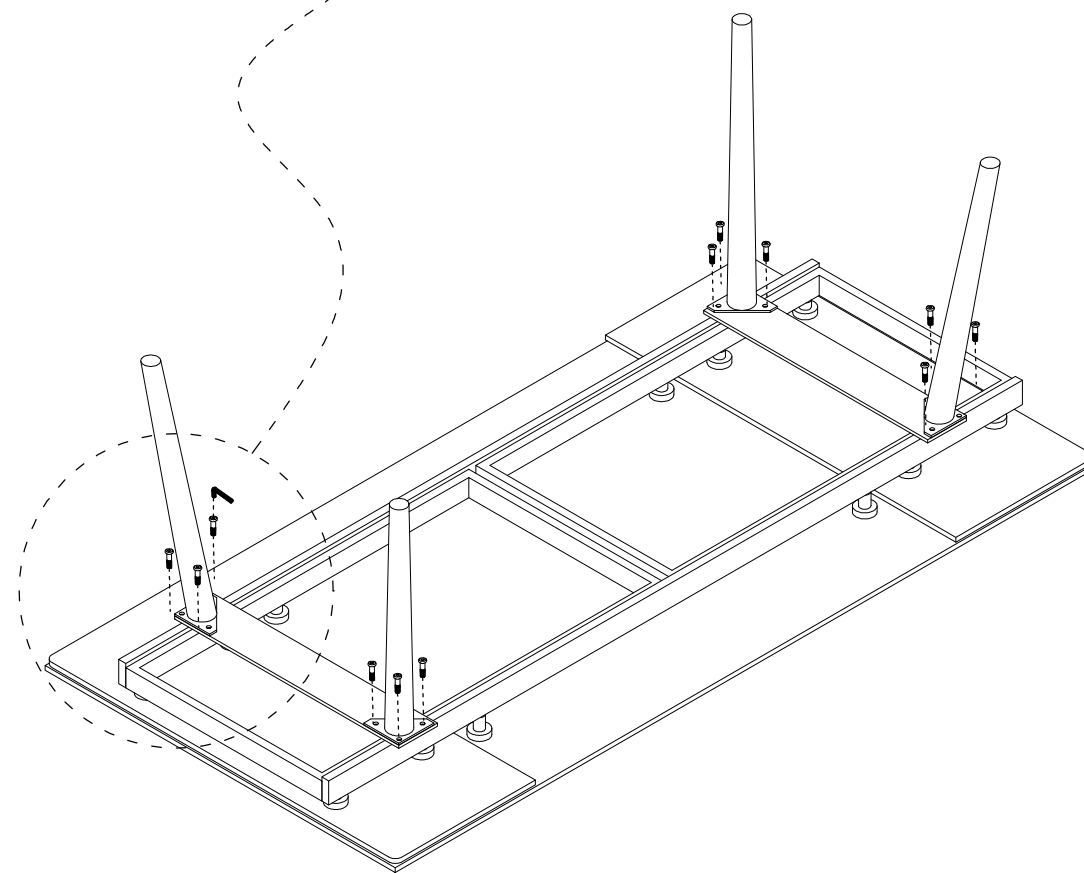
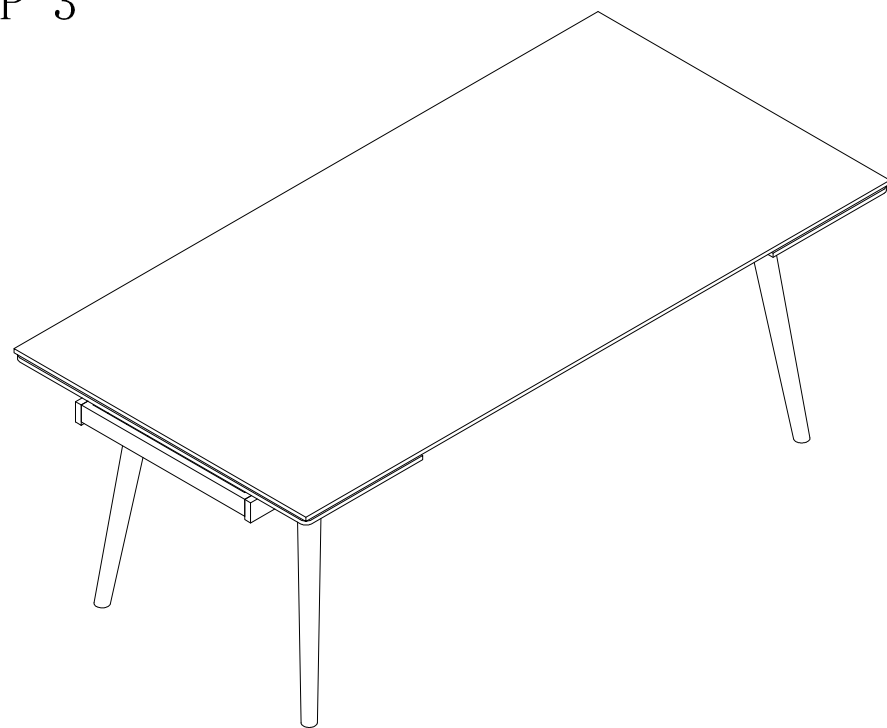
STEP 1





STEP 2



STEP 3



NO:	PATTERN:	SIZE:	QTY:
A		M8×16	12
B		M5	1