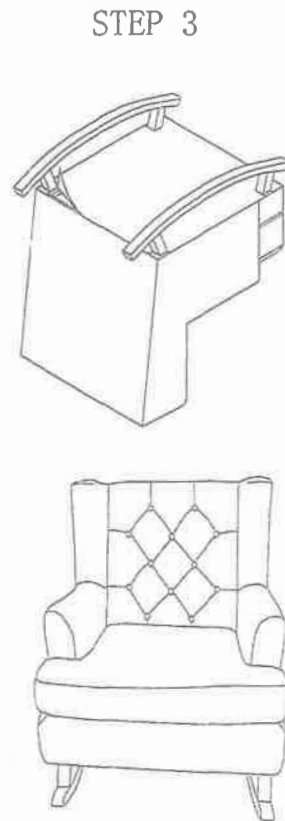
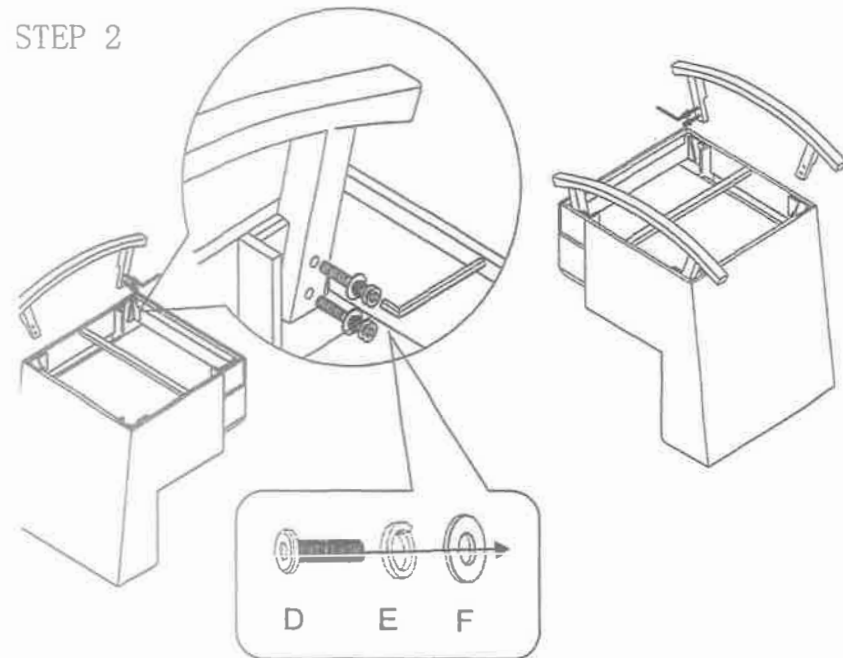
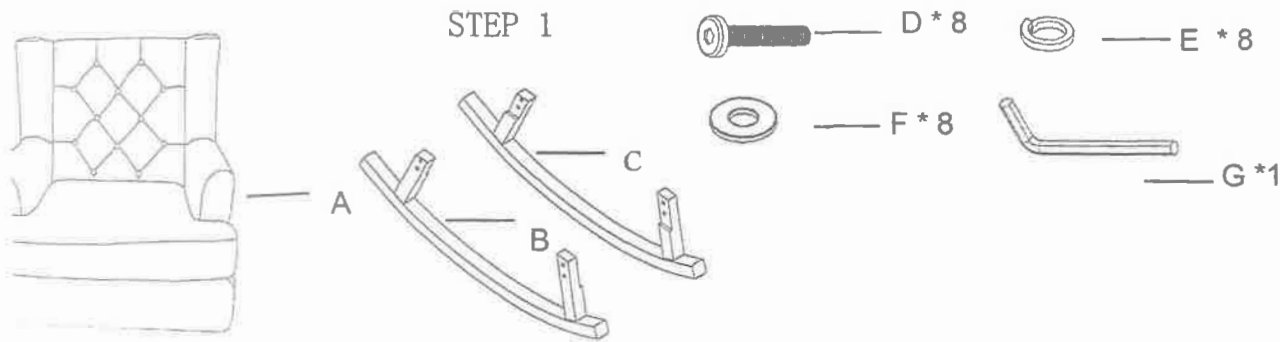


## Assembly Picture

## Assembly Instruction



Carefully unpack all parts before attempting to assemble.

**STEP ONE** Open the small box and take the parts pack out .

**STEP TWO** Open the Velcro from the bottom of chair's basic, Attach the legs into the seat holes, by inserting the bolts into the leg holes, then tighten with the Allen key.

**STEP THREE** Put the black non-woven fabric onto the bottom of the chair and close the Velcro.

### Parts List

A - Chair basic	1
B - Wood feet - Left	1
C - Wood feet - Right	1
D - Bolt      M8*6.5cm	8
E - Lock washer	8
F - Flat washer	8
G - Allen key	1
H - parts pack With two pairs of white gloves and blue plastic shoe's cover.	1