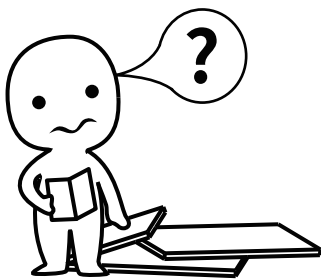


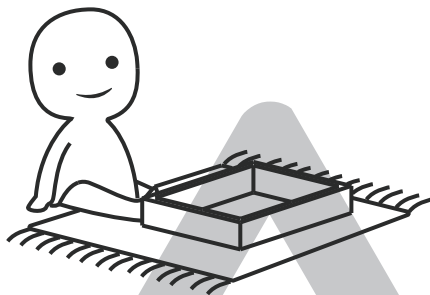
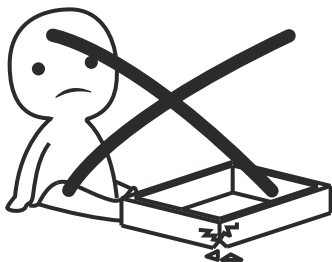
INSTALLATION

Product Manual



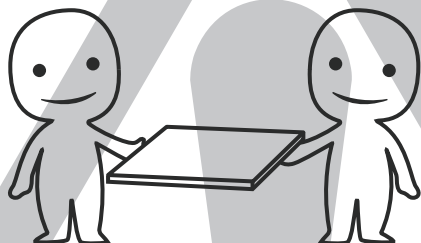
IMPORTANT INFORMATION!

Please read the entire manual before starting to assemble and/or using this product. Follow the manual thoroughly and keep it for further reference.



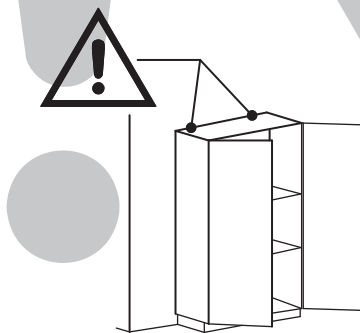
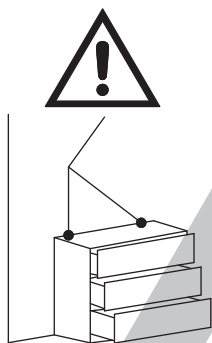
AVOID SCRATCHES!

In order to avoid scratching this furniture should be assembled on a soft layer-could be a rug.



IMPROVE EFFICIENCY !

Try to find a partner to install with you, which can speed up the installation efficiency and shorten the time.



ANTI-TOPPLE WARNING !

Overturned furniture can cause serious or fatal crush injuries. To prevent tipping over, be sure to use the wall attachment, if not included with this product. Please purchase the wall attachment that fit your wall. If unsure, seek professional advice. Please read and follow each step of the instructions carefully.

IMPORTANT !

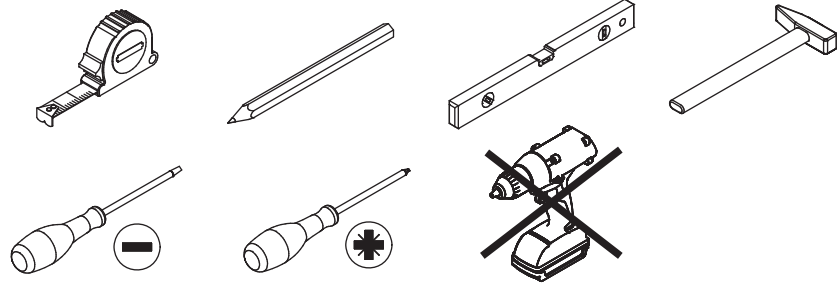
It is important that any product which is assembled using any kind of screw is re-tightened 2 weeks after assembly, and once every 3 months - in order to assure stability through-out the lifespan of the product.

For regular maintenance and cleaning of the product, for the frame, please use a rag dipped in neutral detergent to fully wipe it, and then dry it with a clean rag. For glass materials, wipe with a rag dampened with water glass cleaner, and then dry with a dry rag.

Do not use an electric screwdriver, and do not use too much force when installing, because the board is easy to break.

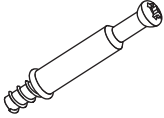


Please prepare the following tools




When installing, please carefully confirm whether each screw corresponds to the manual, accessories with similar shapes can be distinguished by size

A x 67



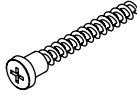
CRA0635A

B x 67



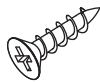
CRB1295A

C x 32



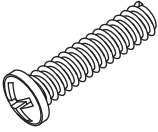
CRC0540A

D x 68



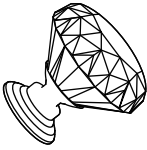
CRD0312A

E x 5

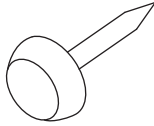


CRE0416A

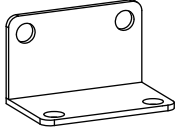
F x 5



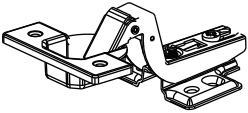
G x 10



H x 4

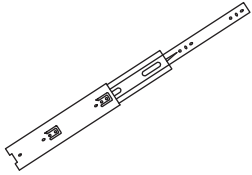


J x 2



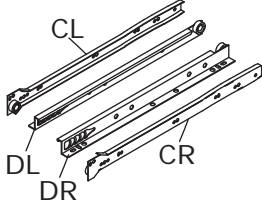
DGA861C

K x 2



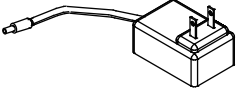
16"

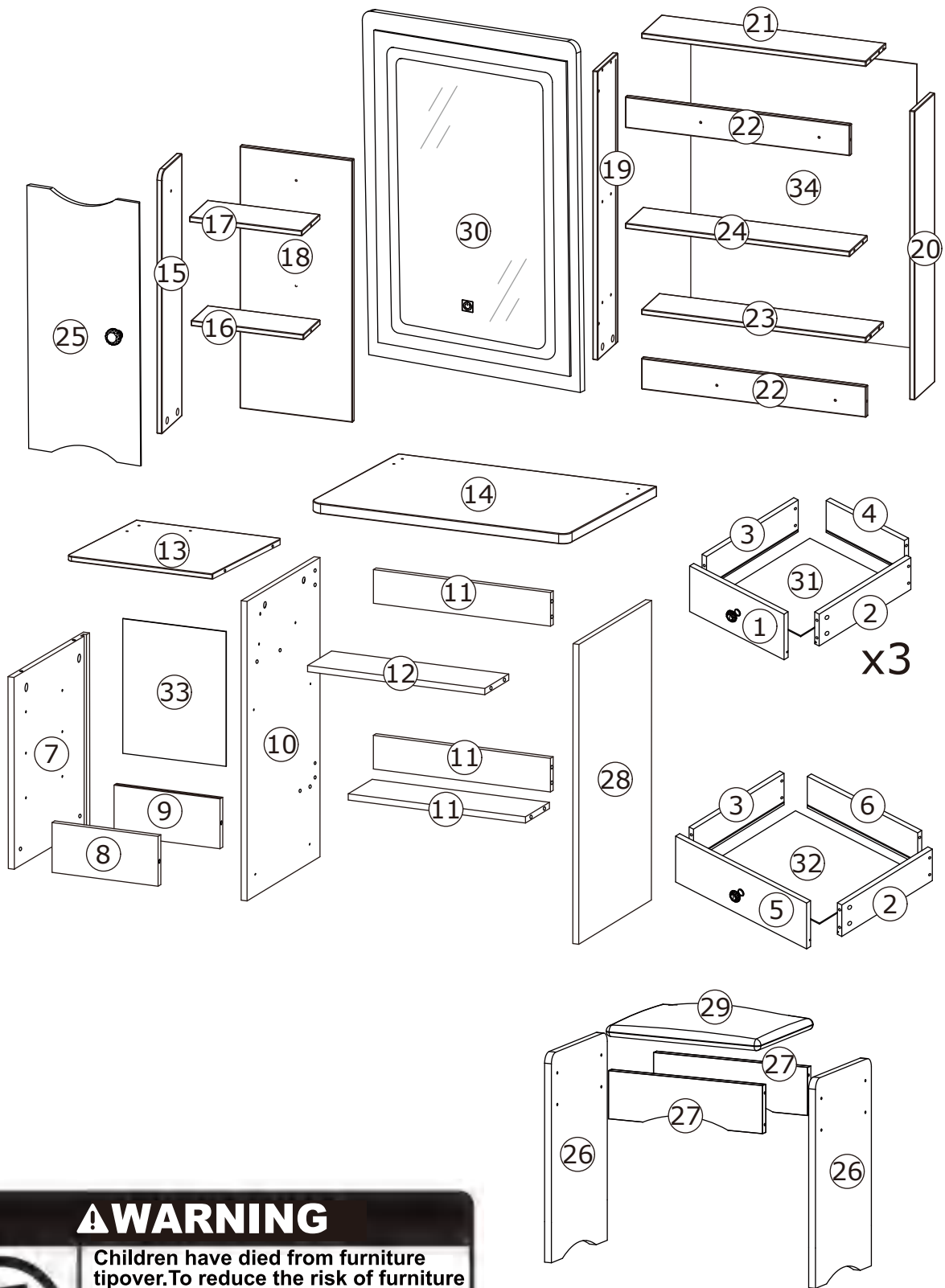
L x 4



WX0812A

Power plug x 1



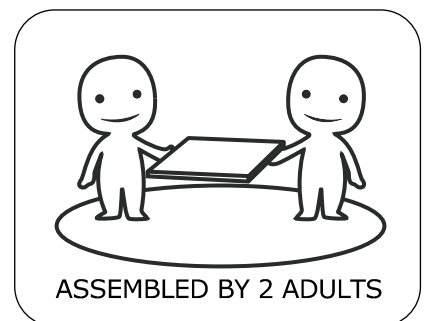


⚠ WARNING

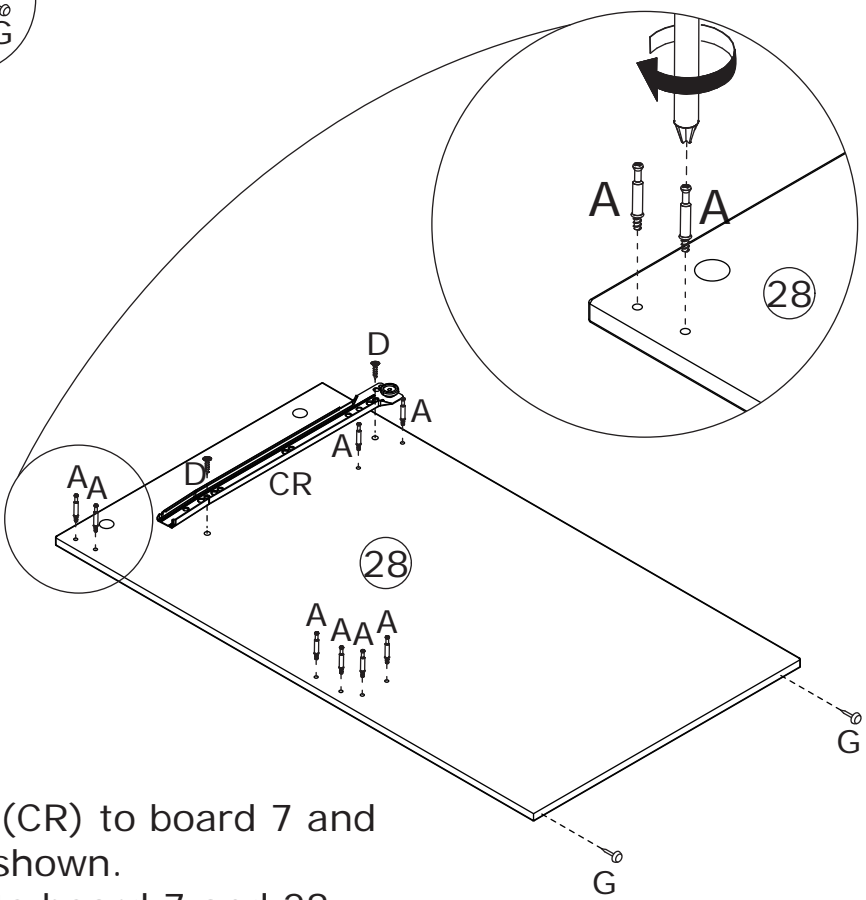
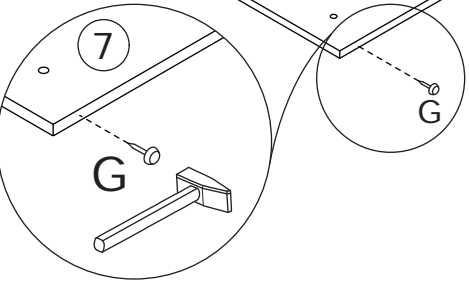
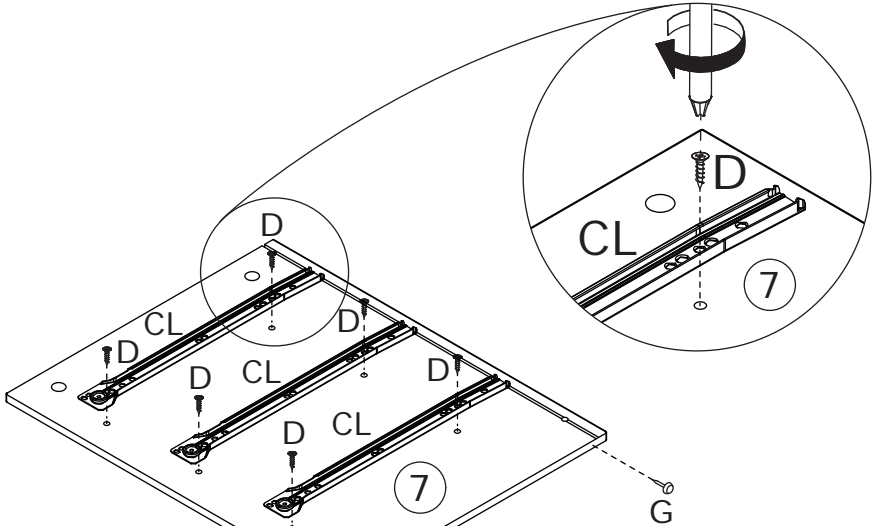
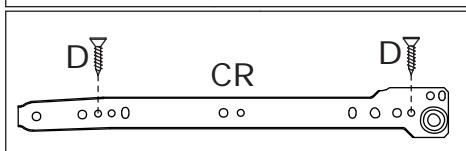
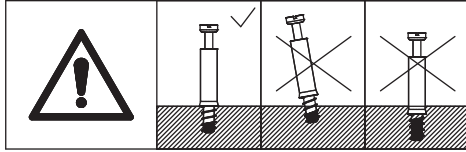
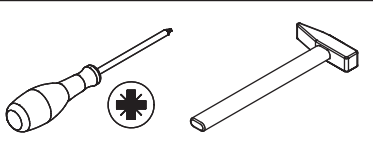
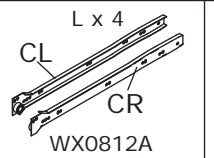
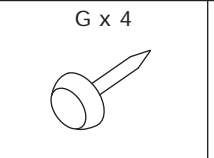
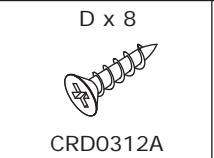
Children have died from furniture tipover. To reduce the risk of furniture tipover:

- ALWAYS install tipover restraint provided.
- NEVER put a TV on this product.
- NEVER allow children to stand, climb or hang on drawers, doors, or shelves.
- NEVER open more than one drawer at a time.
- Place heaviest items in the lowest drawers.

*This is a permanent label.
Do not remove!*

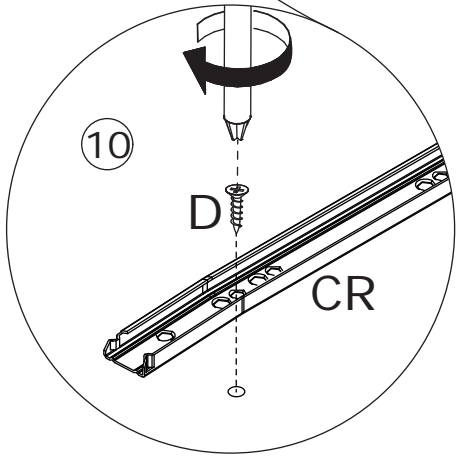
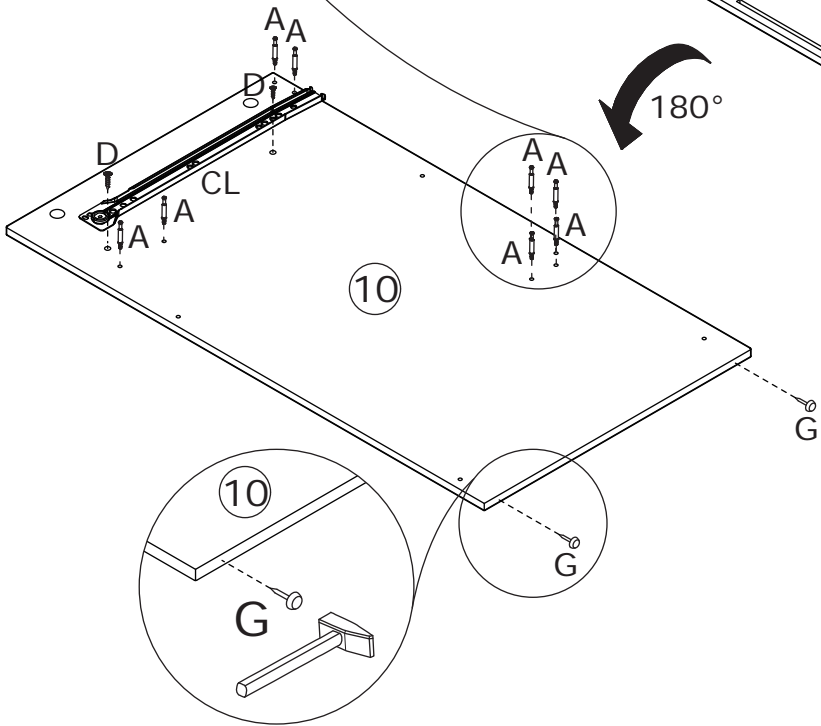
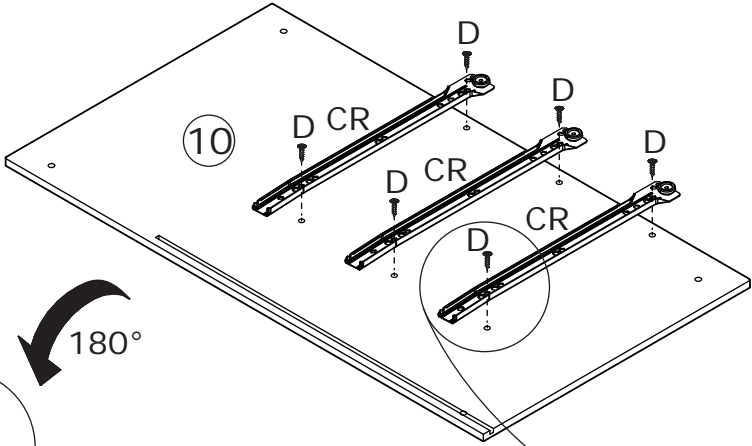
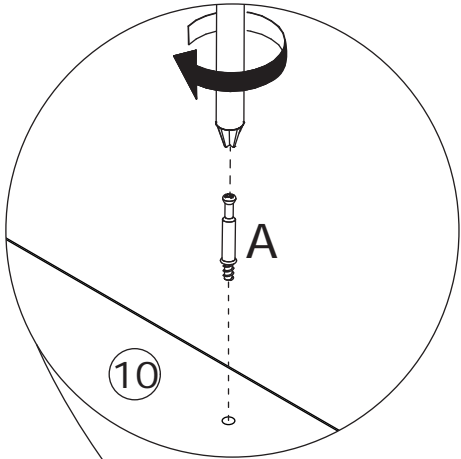
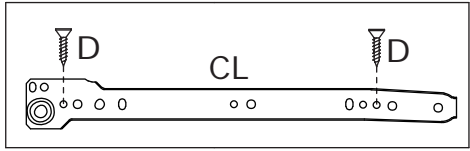
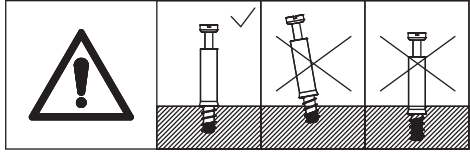
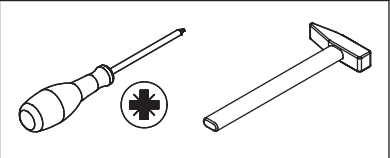
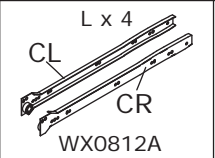
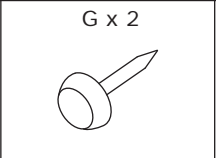
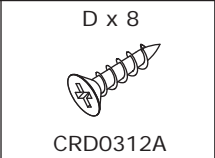


1



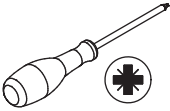
Fix slide rail(CL) and (CR) to board 7 and 28 with screw(D) as shown.
Knock foot peg(G) into board 7 and 28.
Screw eccentric rod(A) into board 28 with a screwdriver as shown.

2

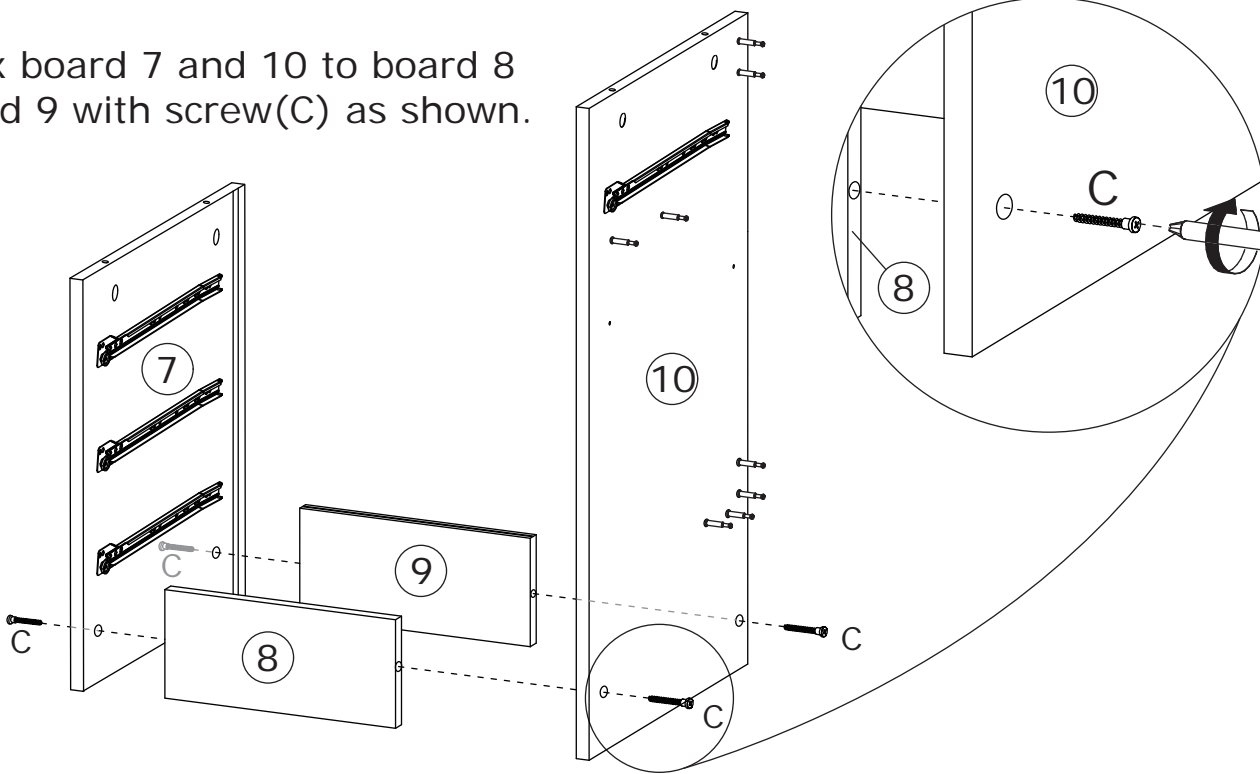


Fix slide rail(CR) with screw(D) as shown.
Flip the board,Fix slide rail(CL) to board 10
with screw(D), screw eccentric rod(A) as shown.
Knock foot peg(G) into board 10.

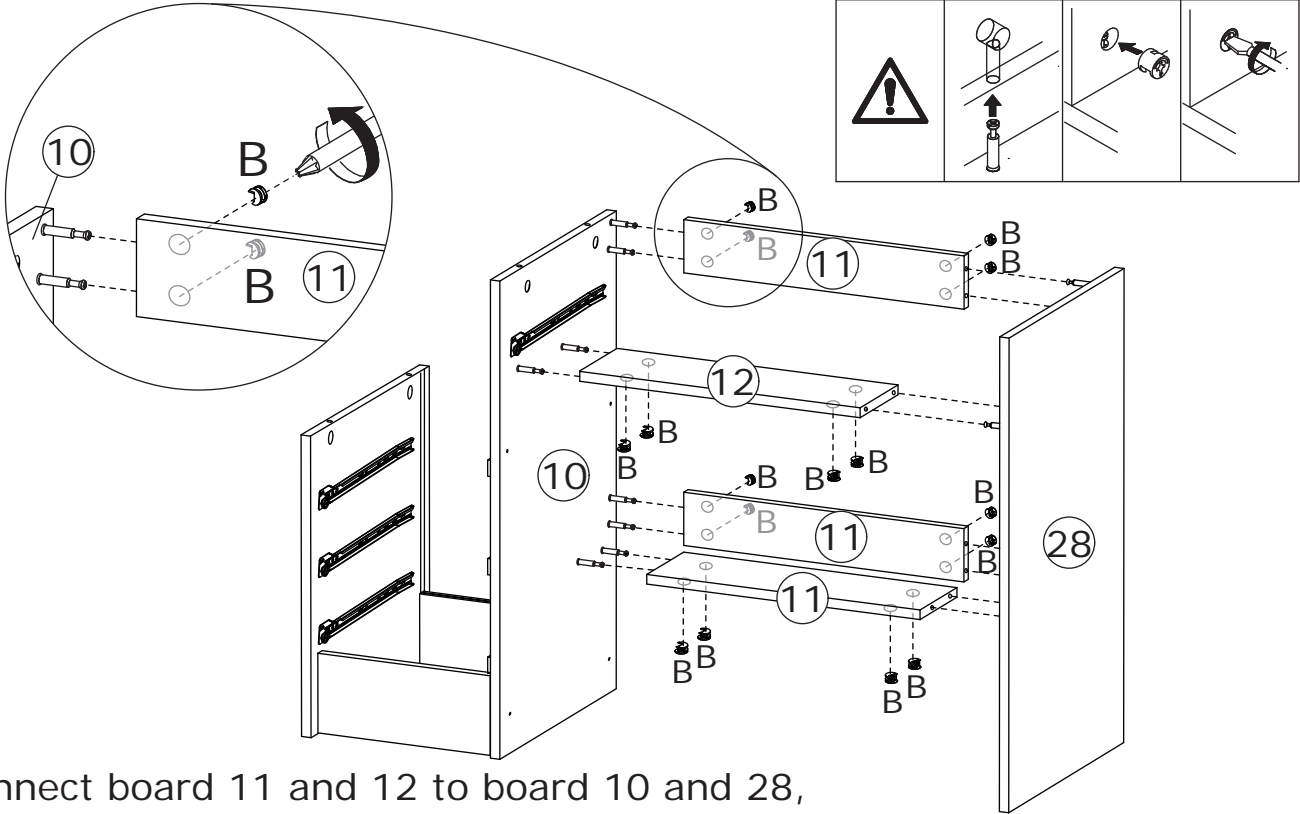
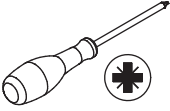
3



Fix board 7 and 10 to board 8 and 9 with screw(C) as shown.

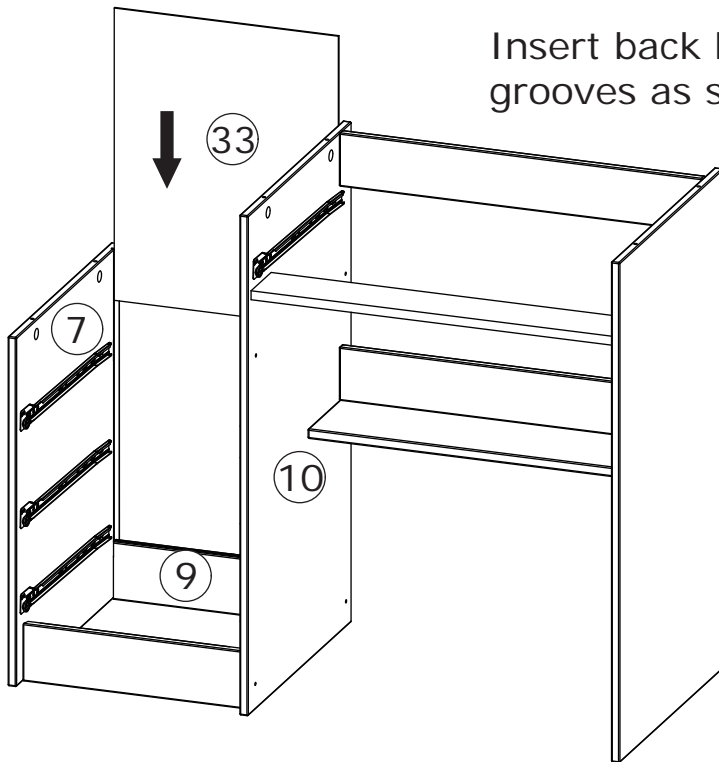


4



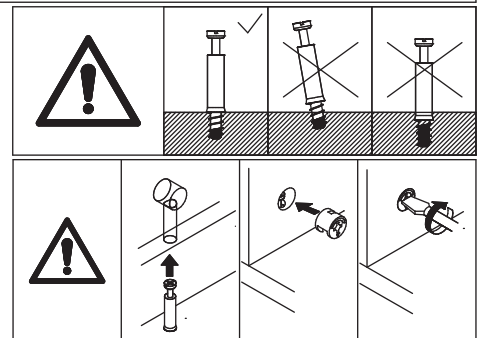
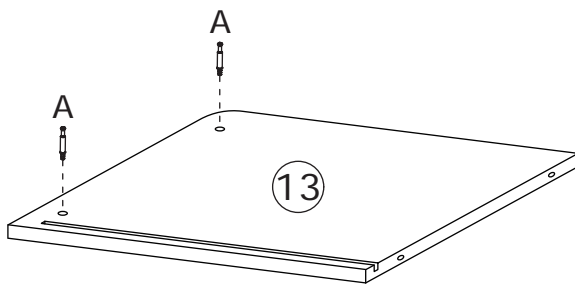
Connect board 11 and 12 to board 10 and 28, add cam lock(B) into board 11, 12 and turn clockwise to tighten as shown. 7/24

5

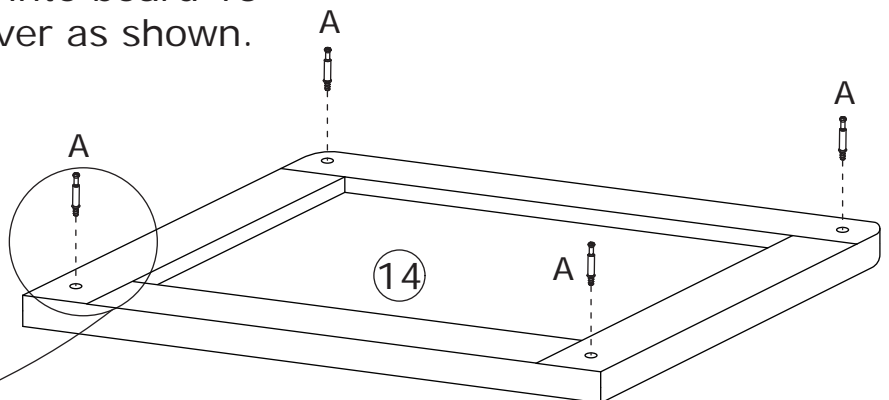
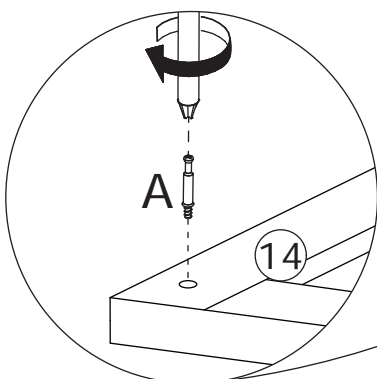


Insert back board 33 along available grooves as shown.

6



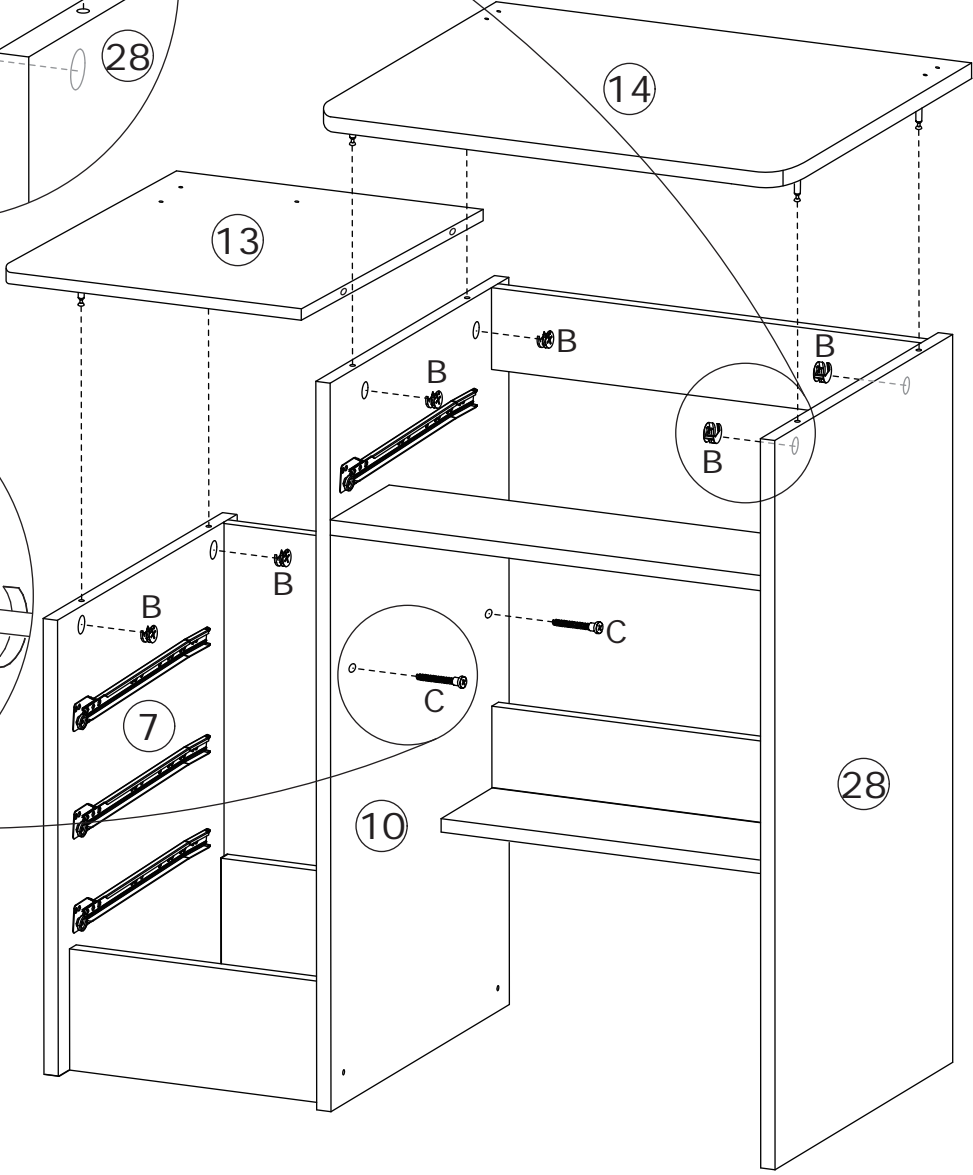
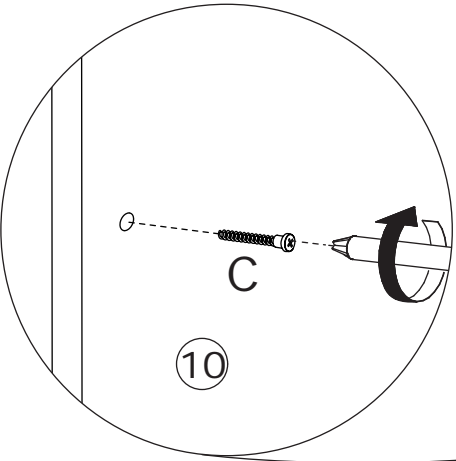
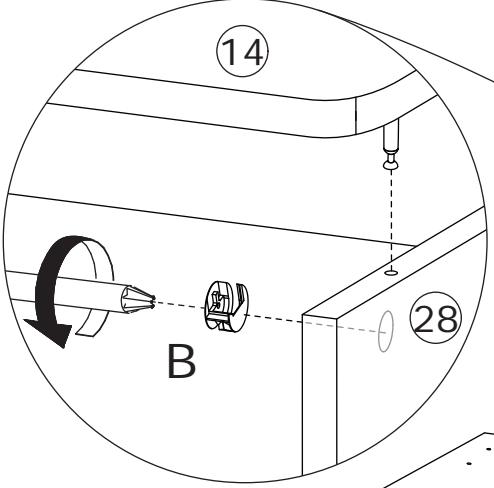
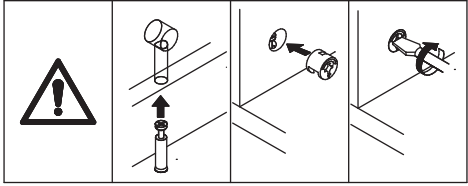
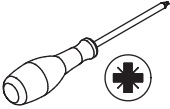
Screw eccentric rod (A) into board 13 and 14 with a screwdriver as shown.



7

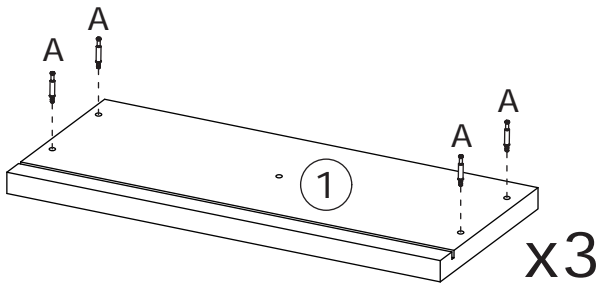
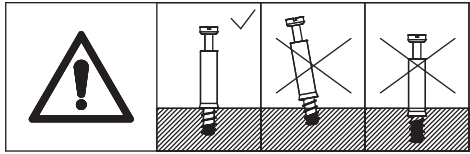
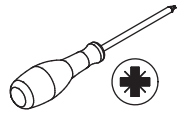
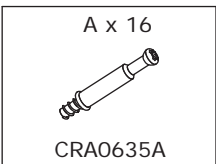
B x 6
CRB1295A

C x 2
CRC0540A

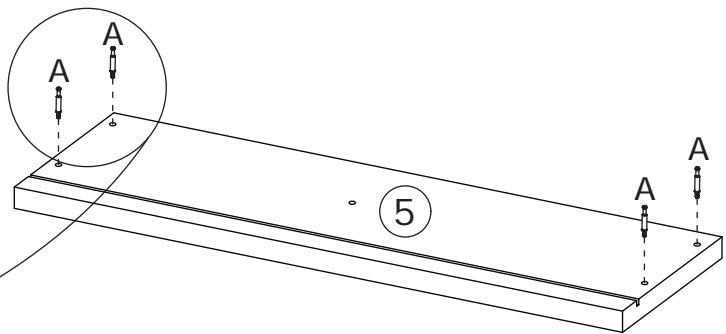
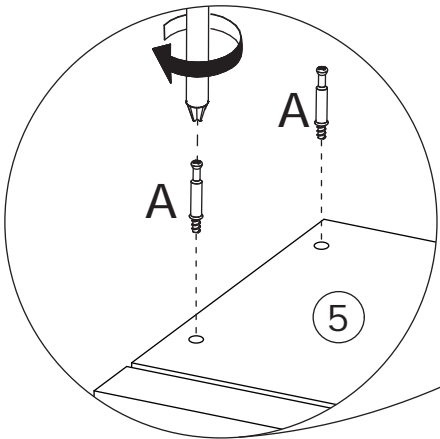


Attach board 13 and 14 to the component, add cam lock(B) into board 7,10,28 and turn clockwise to tighten as shown. Fix board 10 to board 13 with screw(C) as shown.

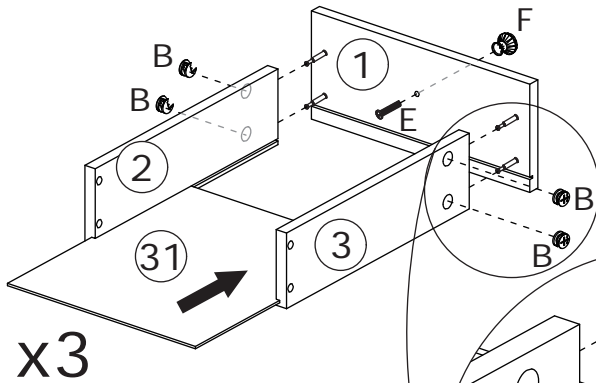
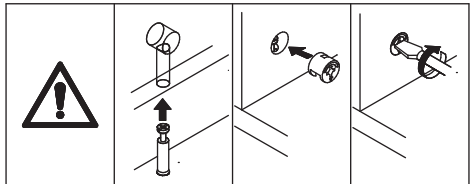
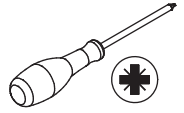
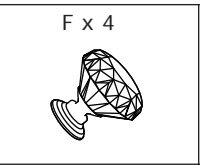
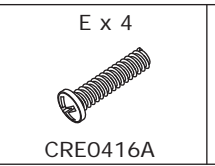
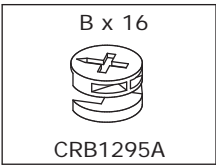
8



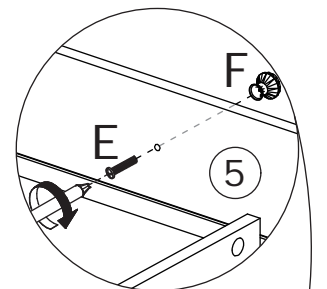
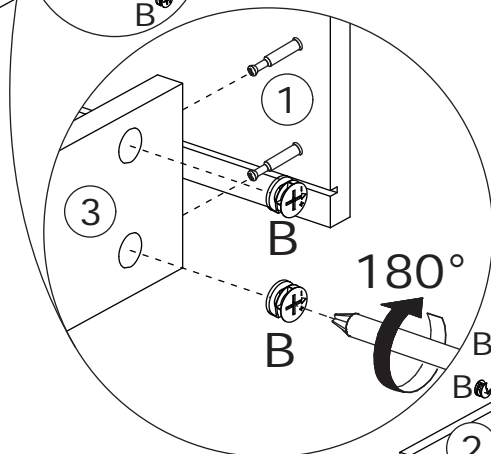
Screw eccentric rod(A) into board 1 and 5 as shown.



9

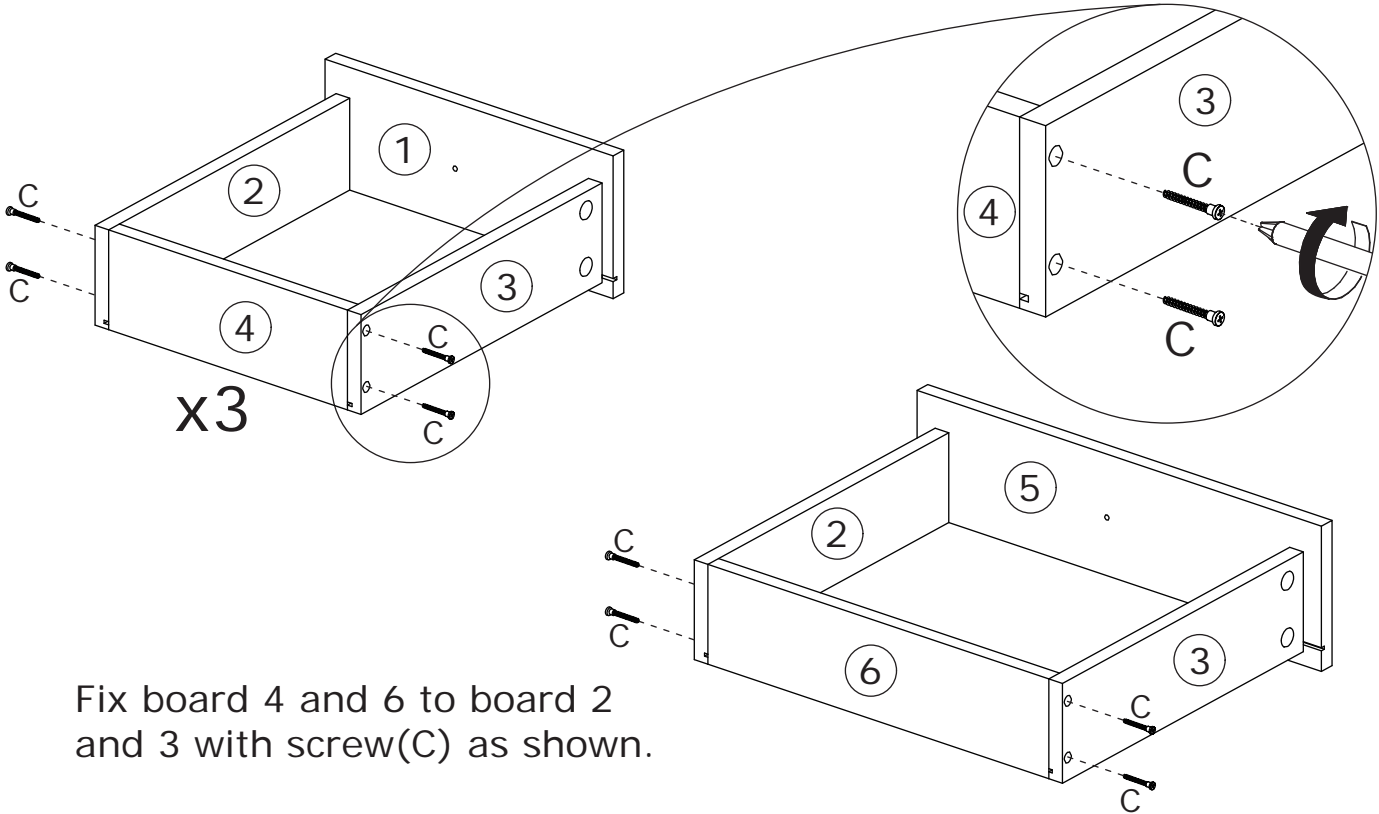
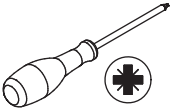


Fix knob(F) with screw(E).



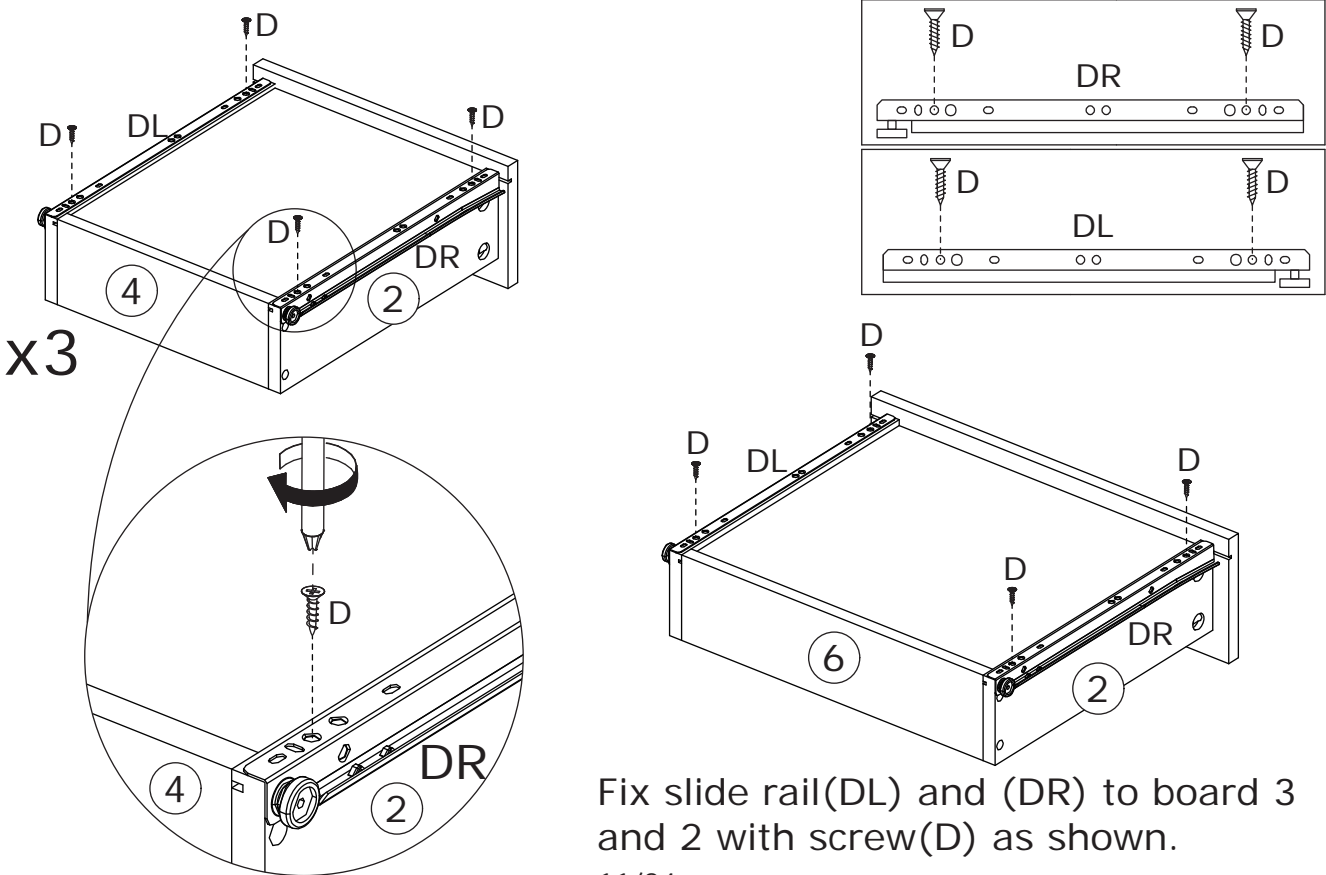
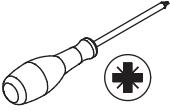
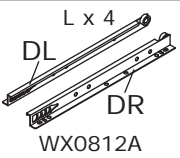
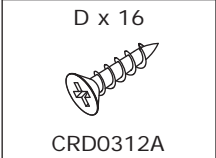
Attach board 1 and 5 to the board 2 and 3, add cam lock(B) and turn clockwise to tighten, insert bottom board 31,32 along grooves as shown.

10



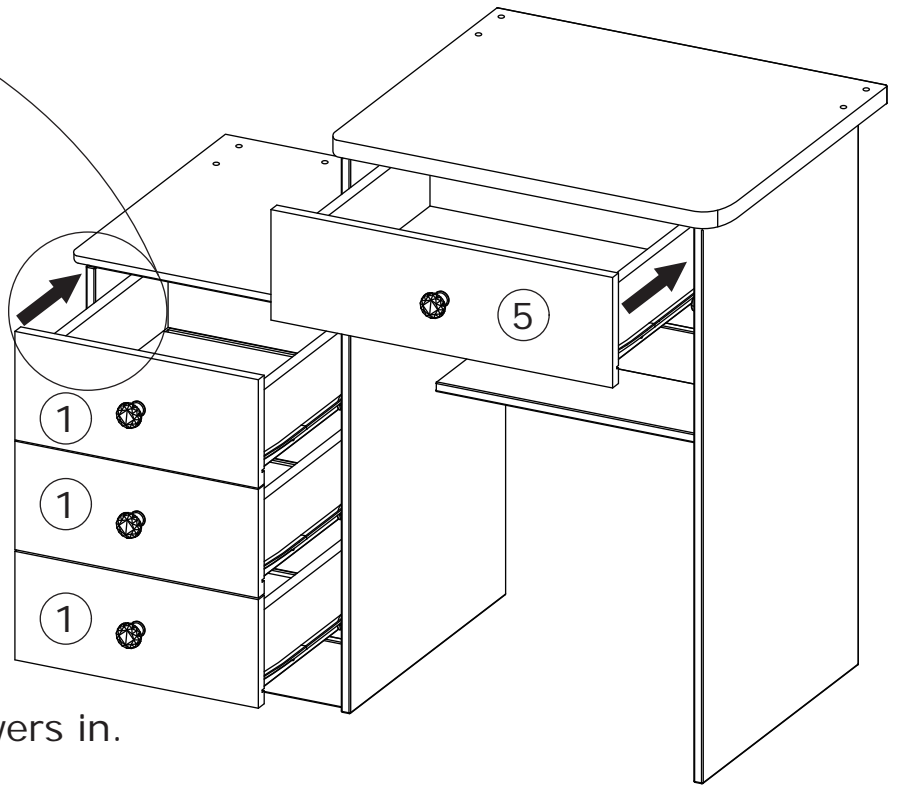
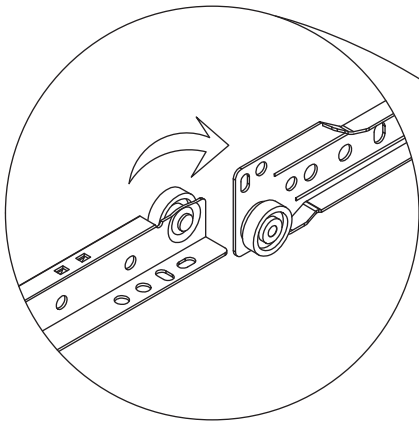
Fix board 4 and 6 to board 2 and 3 with screw(C) as shown.

11



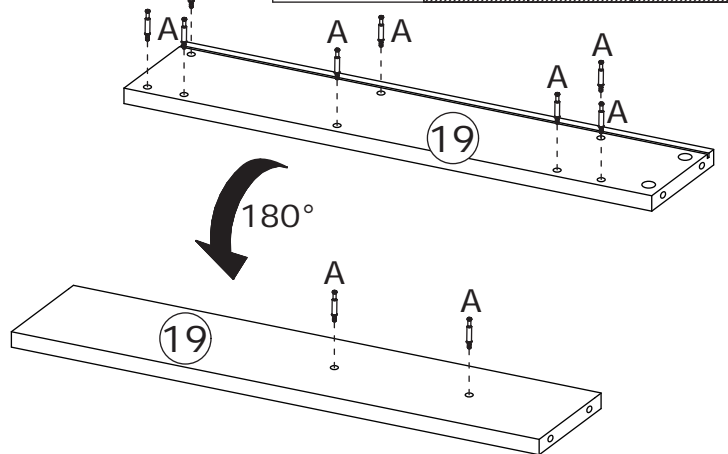
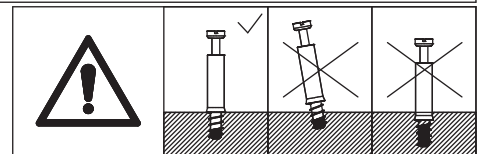
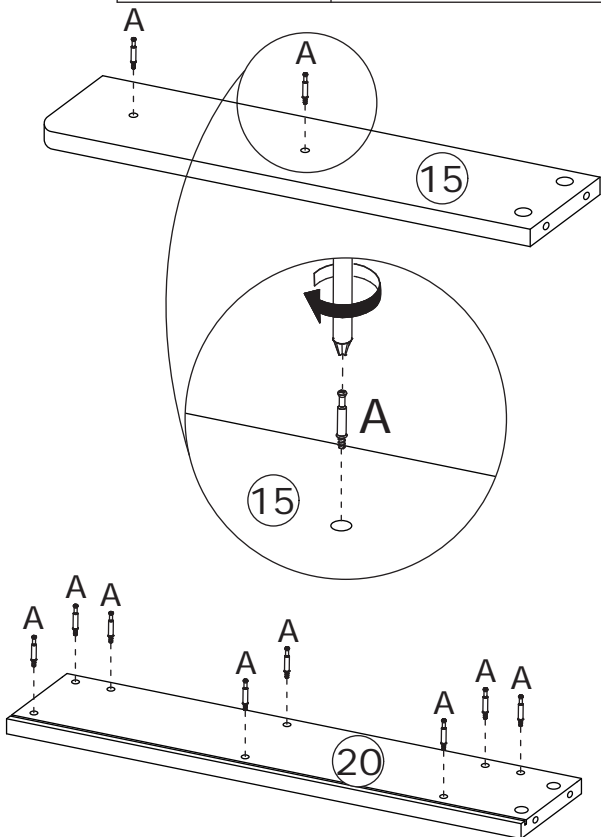
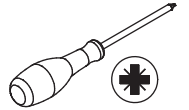
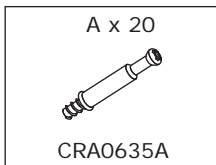
Fix slide rail(DL) and (DR) to board 3 and 2 with screw(D) as shown.

12



Align rails, slide all drawers in.

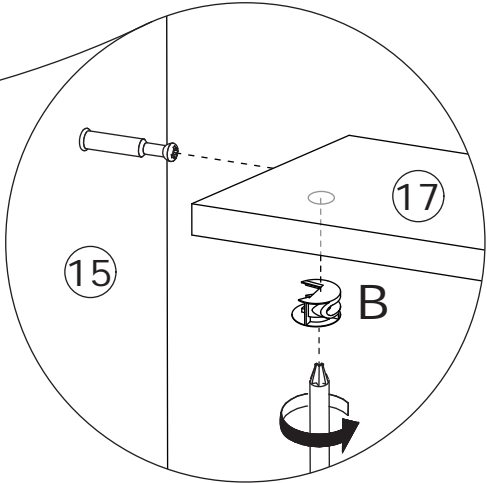
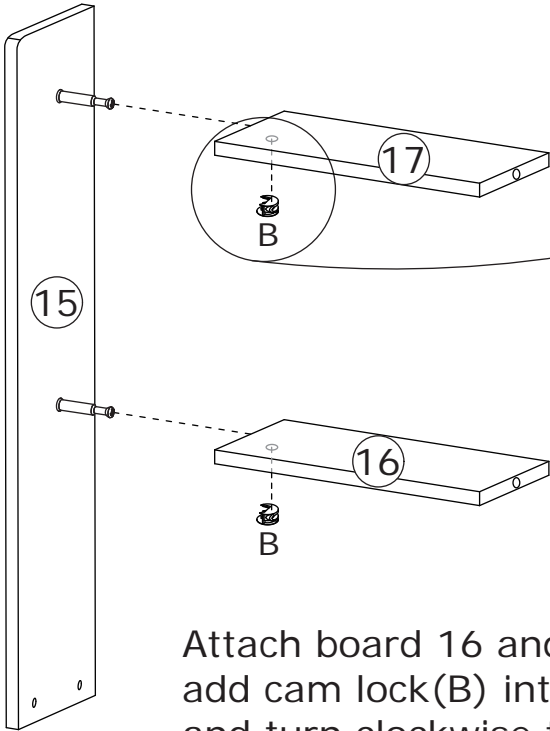
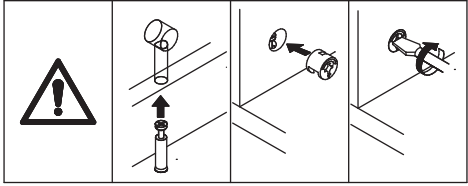
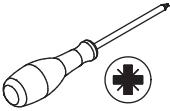
13



Screw eccentric rod(A) into board 15, 19 and 20 as shown.

14

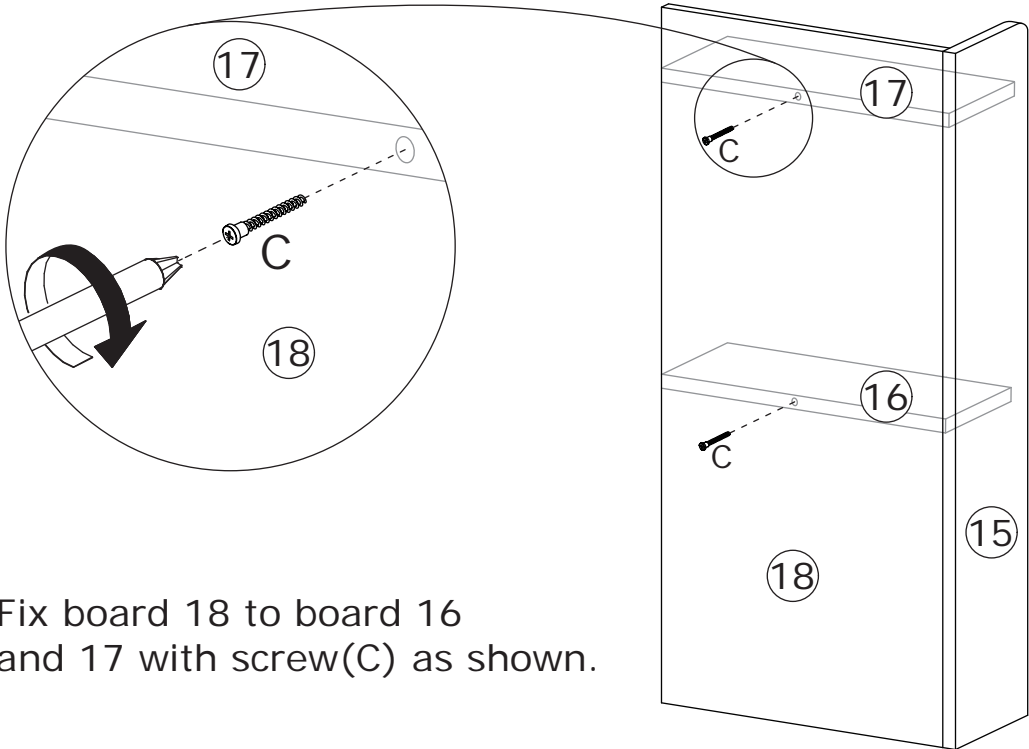
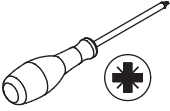
B x 2
CRB1295A



Attach board 16 and 17 to board 15,
add cam lock(B) into board 16,17
and turn clockwise to tighten as shown.

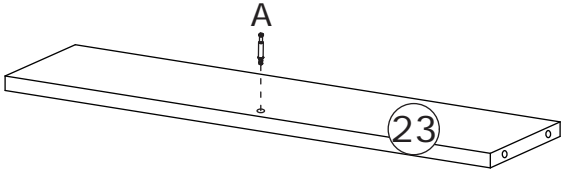
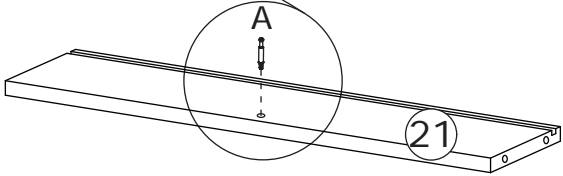
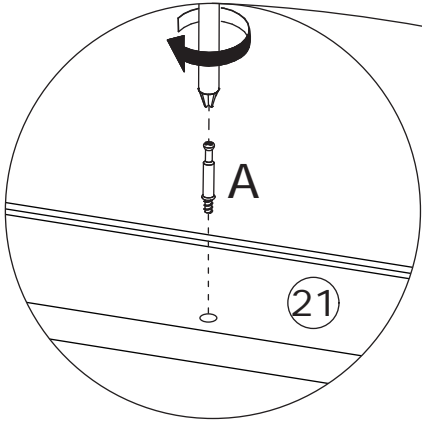
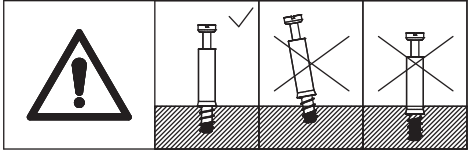
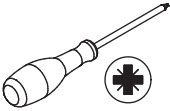
15

C x 2
CRC0540A



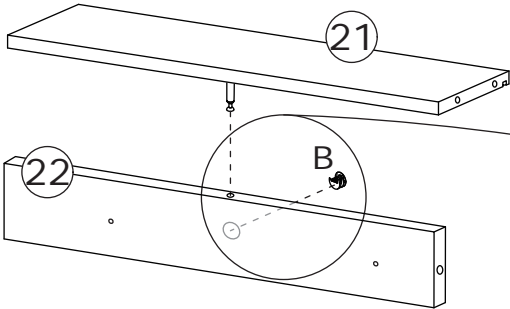
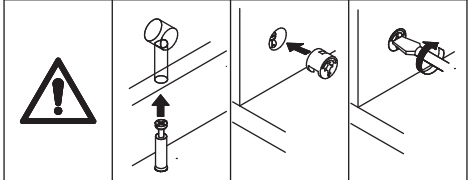
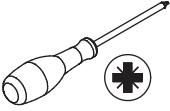
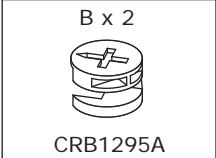
Fix board 18 to board 16
and 17 with screw(C) as shown.

16

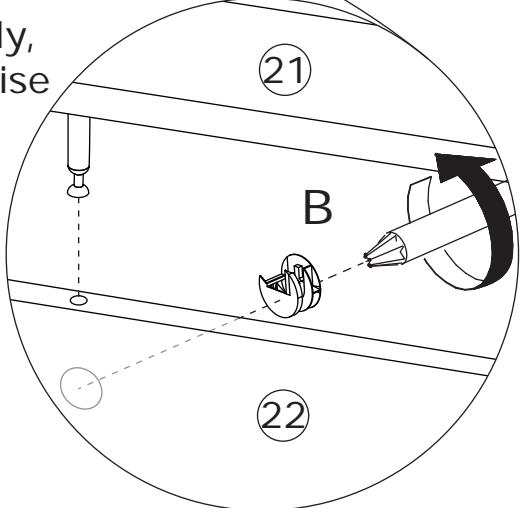
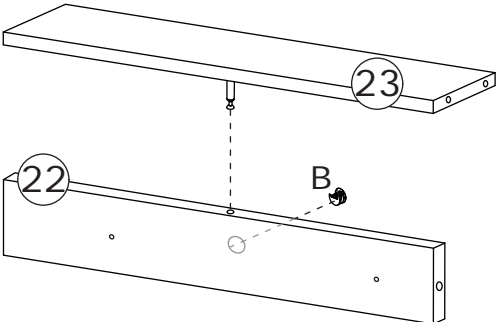


Screw eccentric rod(A) into board 21 and 23 as shown.

17

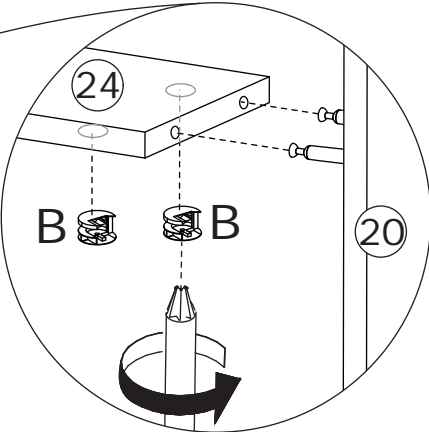
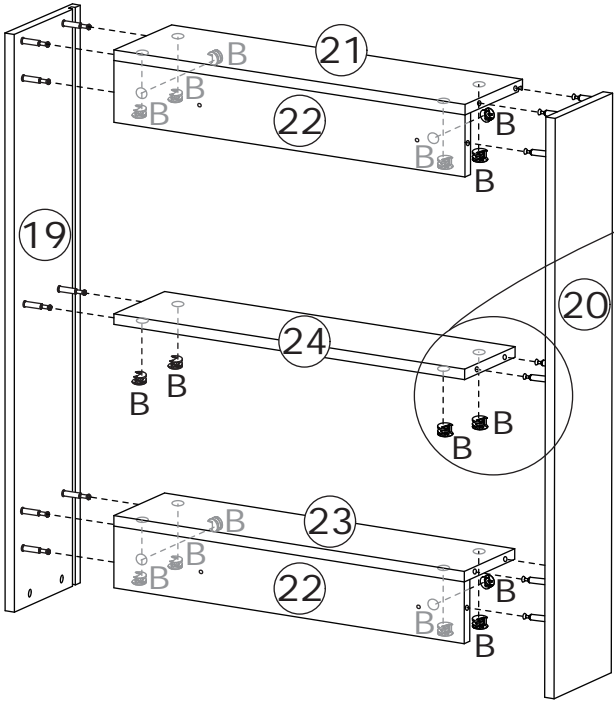
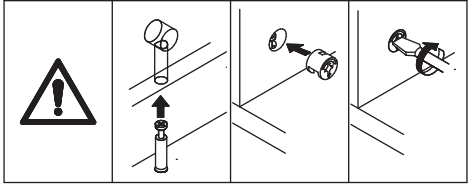
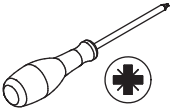


Attach board 21 and 23 to board 22 respectively, add cam lock(B) into board 22 and turn clockwise to tighten as shown.



18

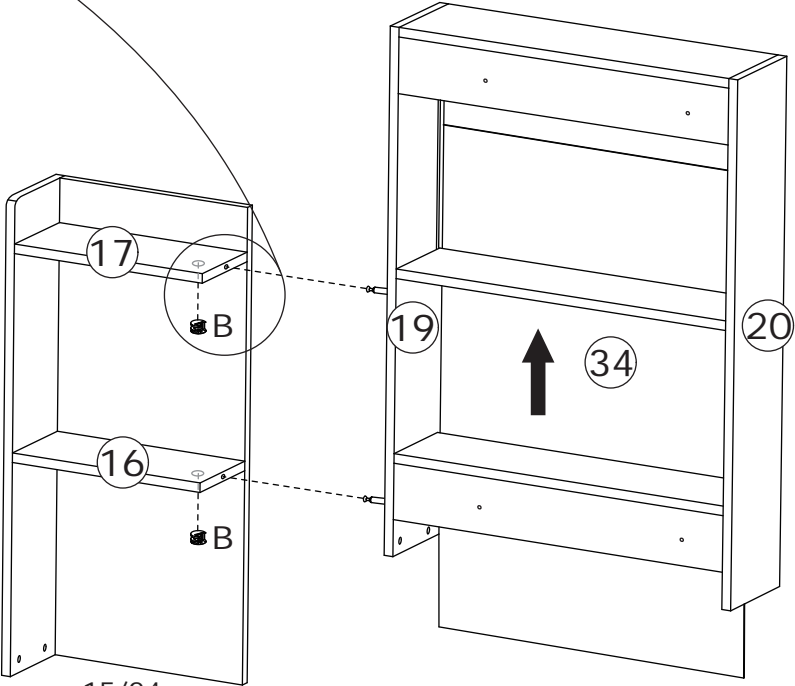
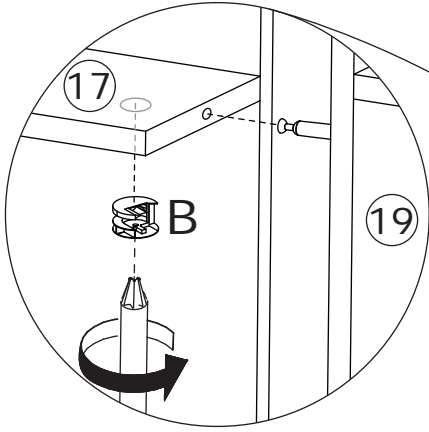
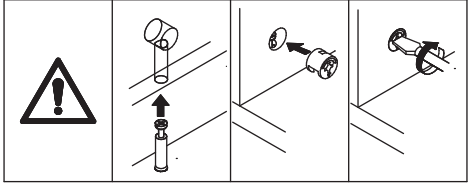
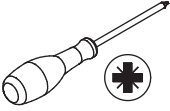
B x 16
CRB1295A



Connect board 19 and 20 to board 21, 22, 24 and 23, add cam lock(B) and turn clockwise to tighten as shown.

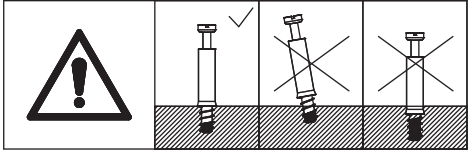
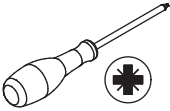
19

B x 2
CRB1295A

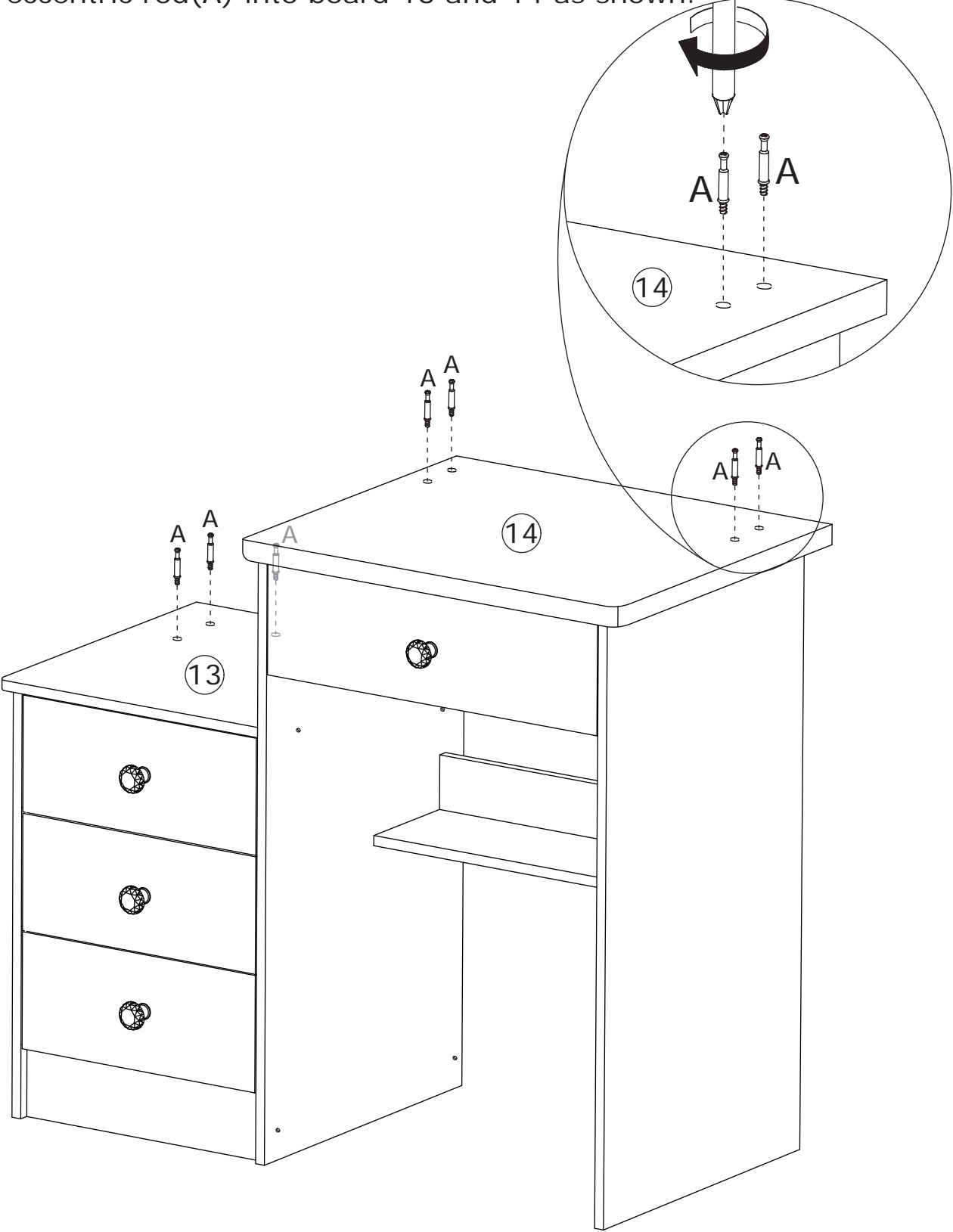


Connect board 16 and 17 to board 19, add cam lock(B) and turn clockwise to tighten as shown.
insert board 34 along grooves as shown.

20

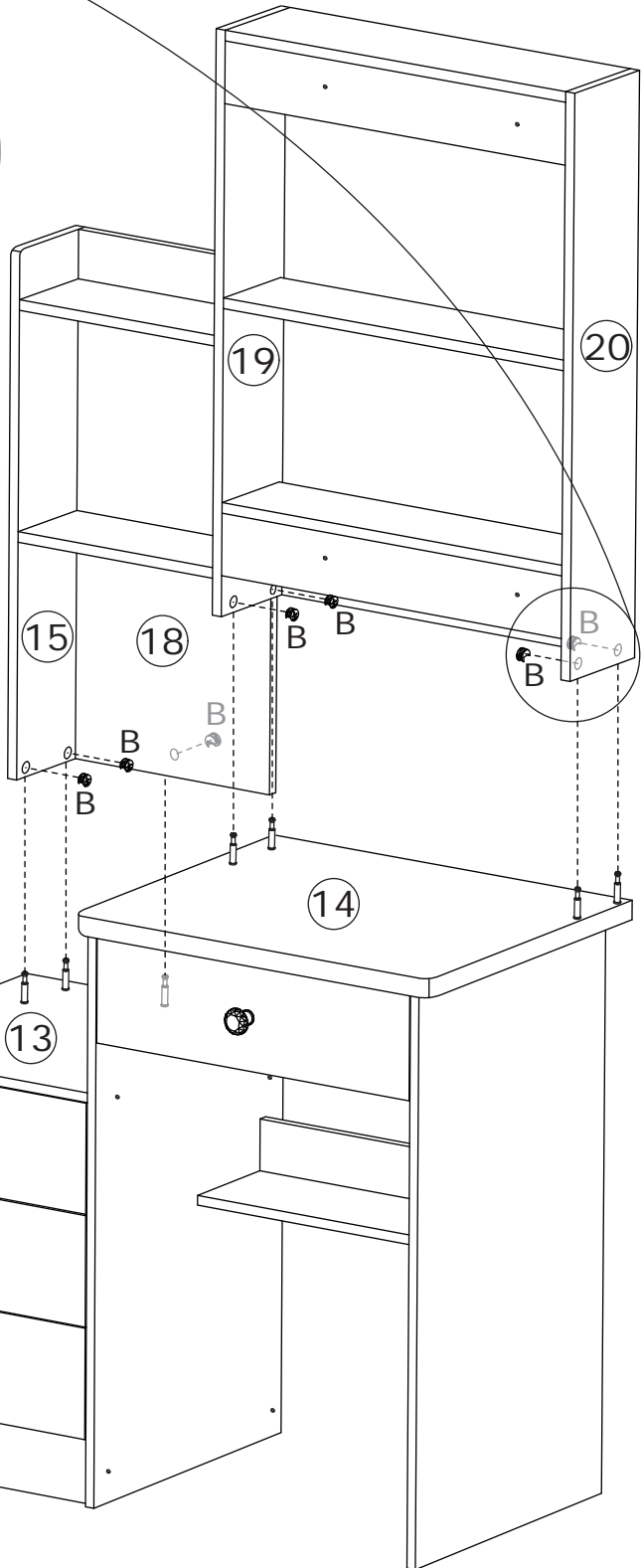
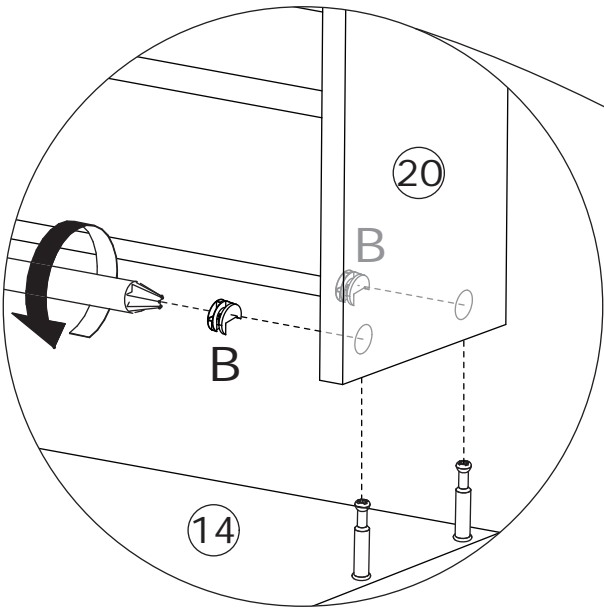
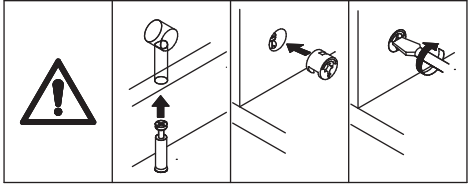
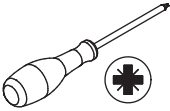


Screw eccentric rod(A) into board 13 and 14 as shown.



21

B x 7
CRB1295A

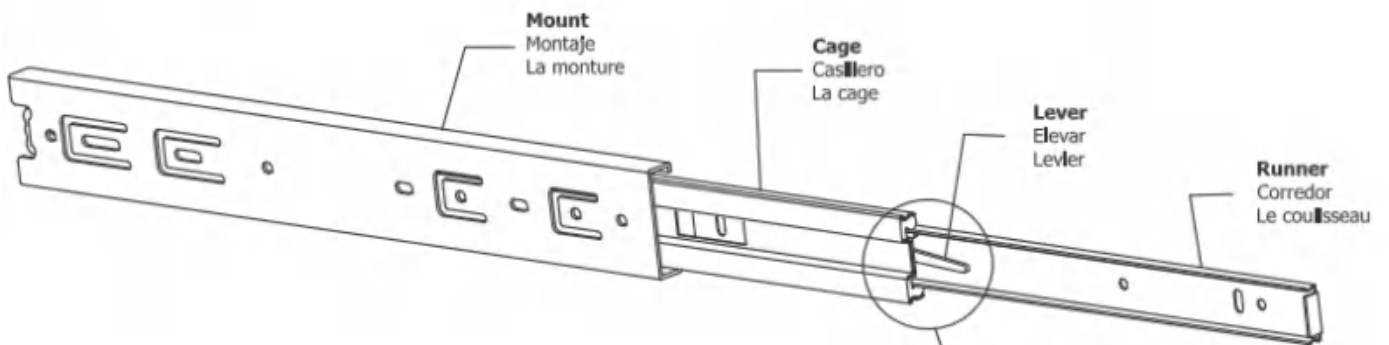


Connect the two components, add cam lock(B) and turn clockwise to tighten as shown.

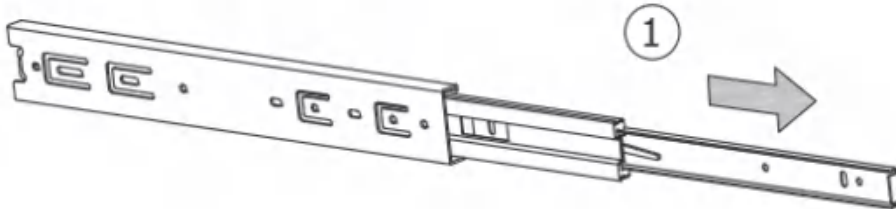
**Slides Must Be Separated Before Assembly.
After Separated, Set Aside Until Needed for Assembly.**

Las diapositivas deben separarse antes del montaje.
Después de la separación, déjelo a un lado hasta que sea necesario.

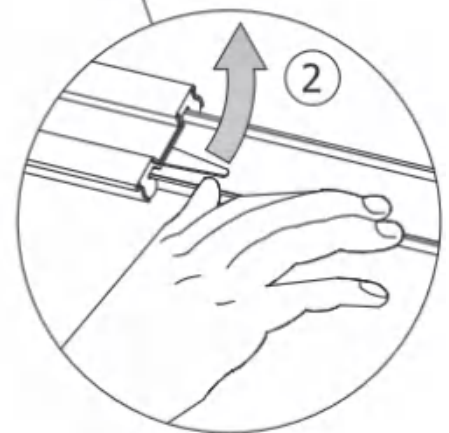
Les glissières doivent être séparées avant l'assemblage.
Après la séparation, mettez de côté jusqu'au moment de l'assemblage.



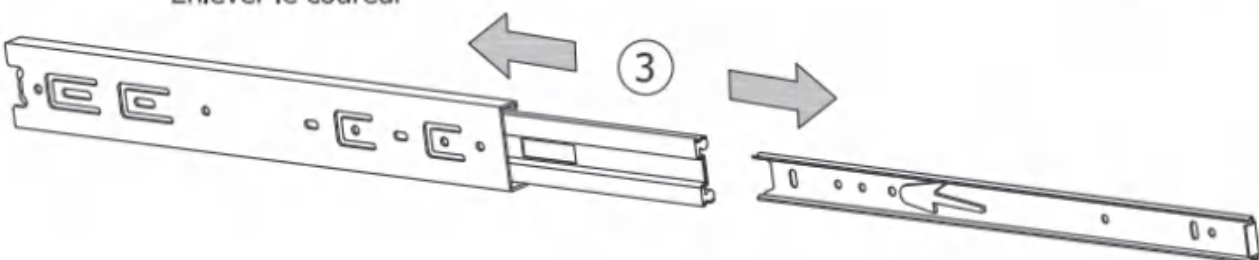
STEP 1: Extend Slide
Extender la diapositiva
Extendre la diapositive



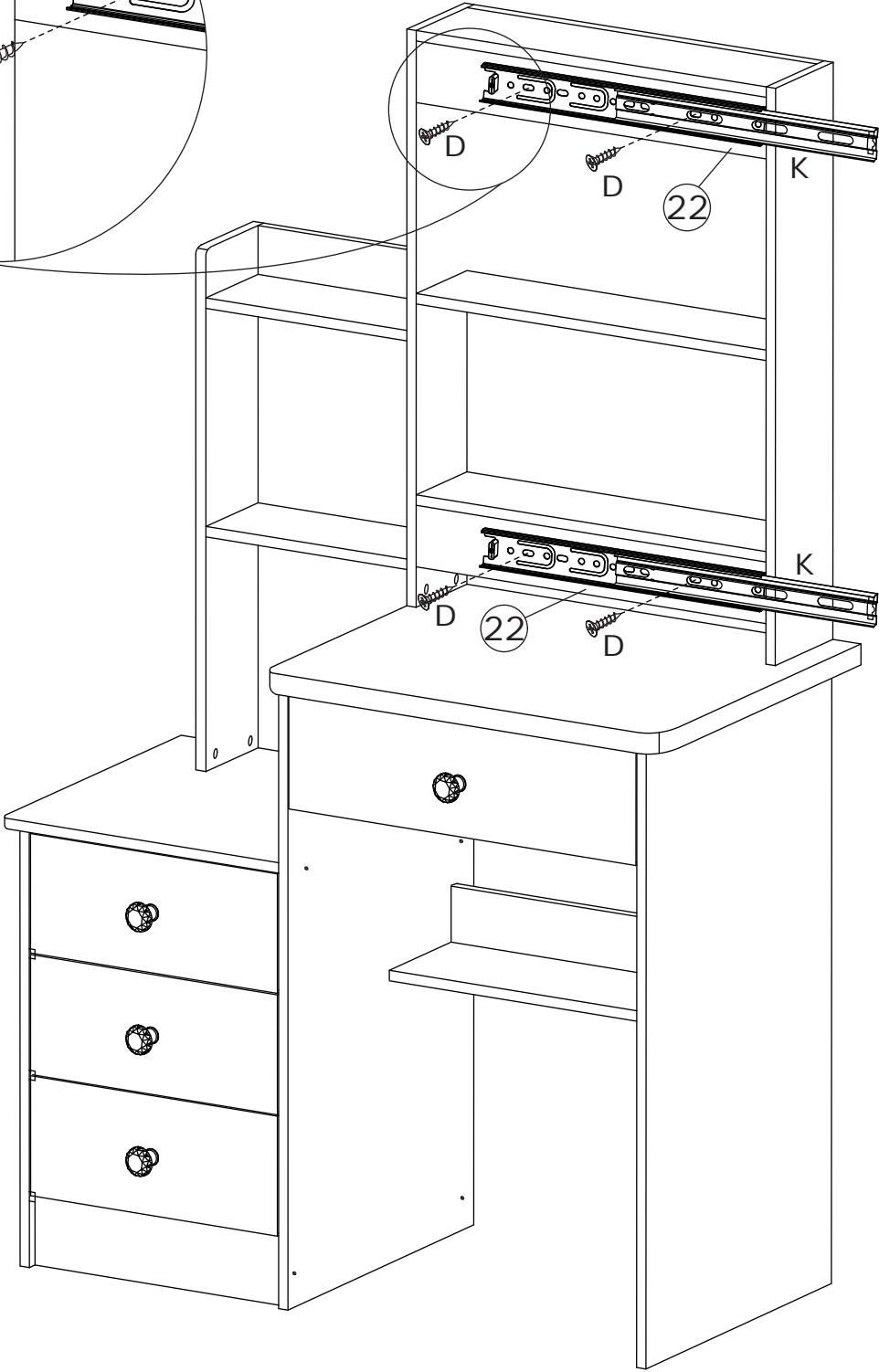
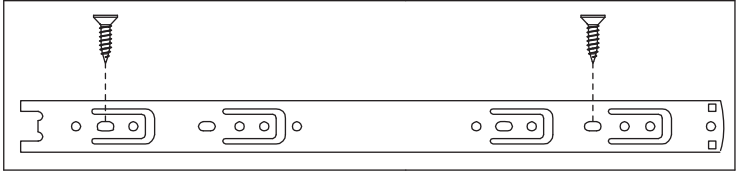
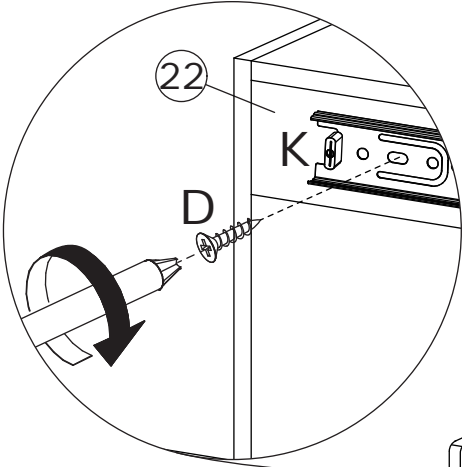
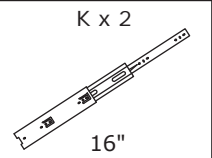
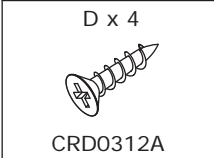
STEP 2: Push Lever UP
Empujar hacia arriba
Lever le levier



STEP 3: Remove Runner
Quitar el corredor
Enlever le coureur

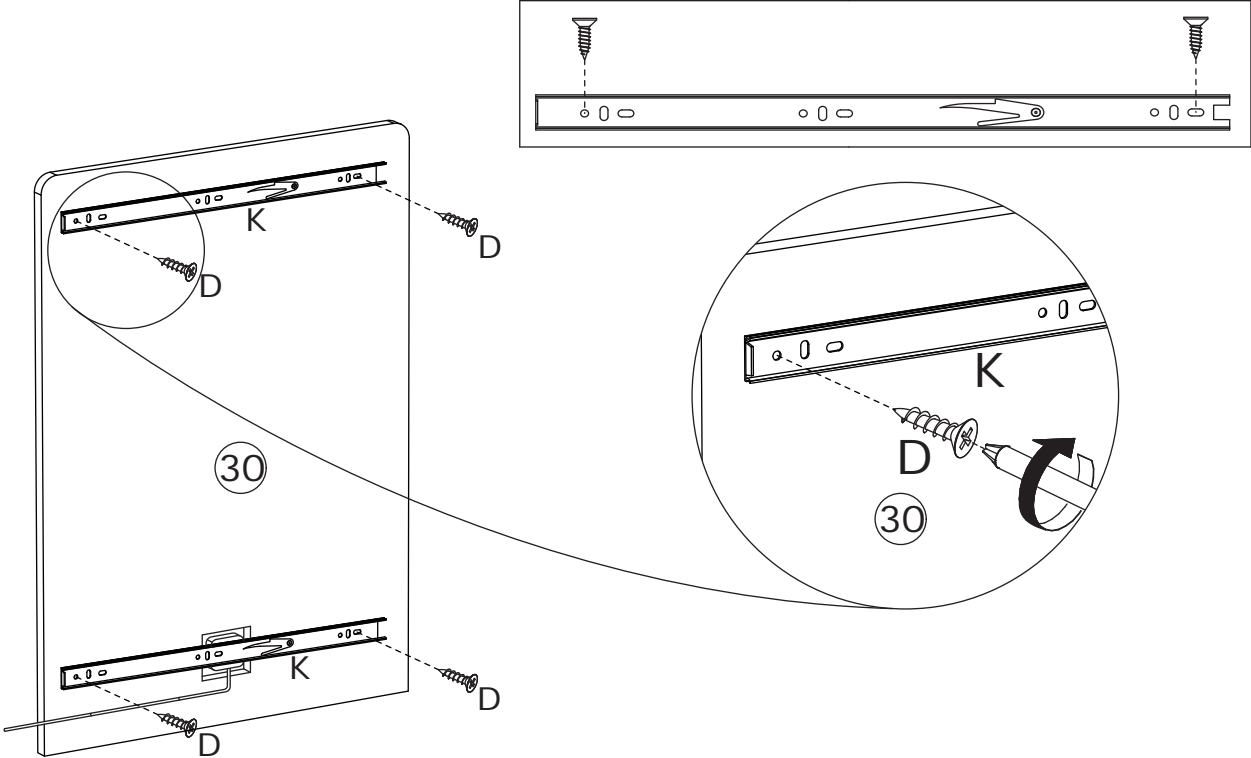
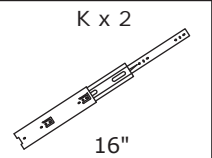
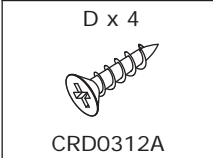


23



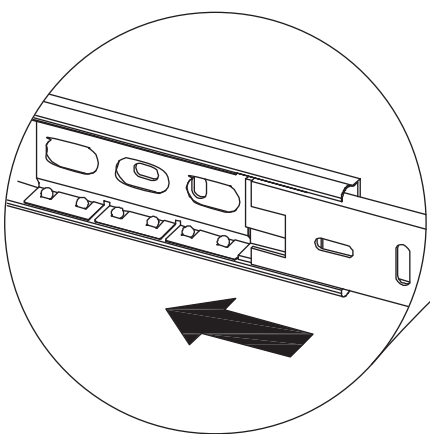
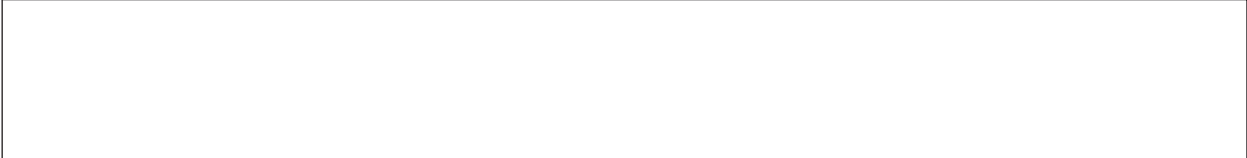
Fix slide rail(K) to board 22 with screw(D) as shown.

24

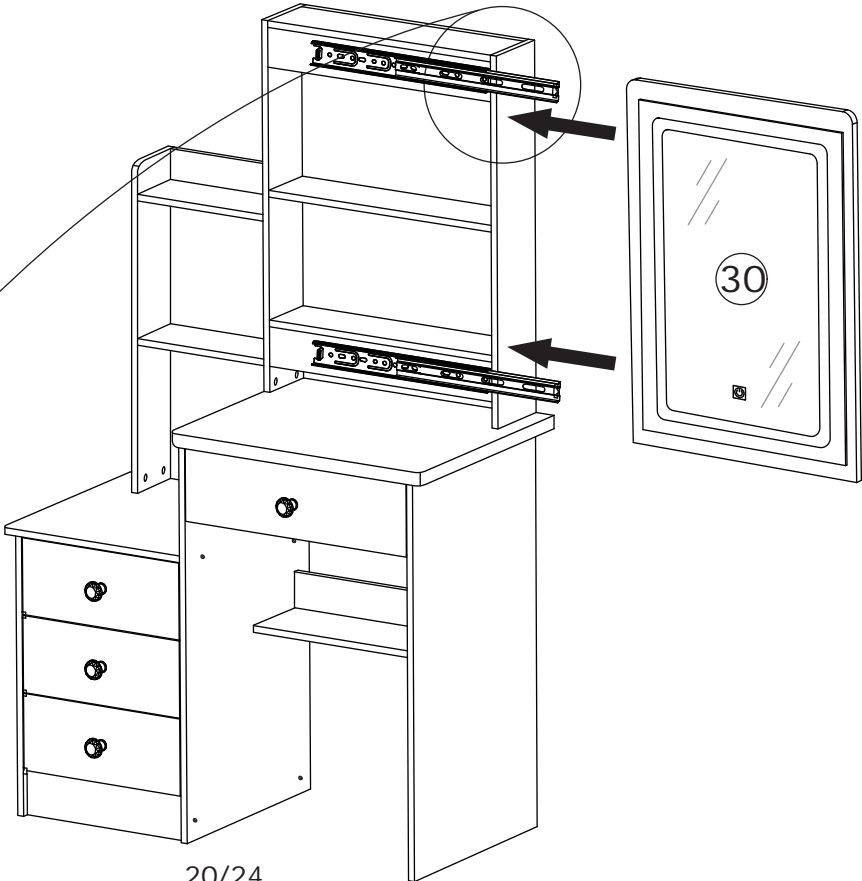


Fix runner(K) to mirror back 30 with screw(D) as shown.

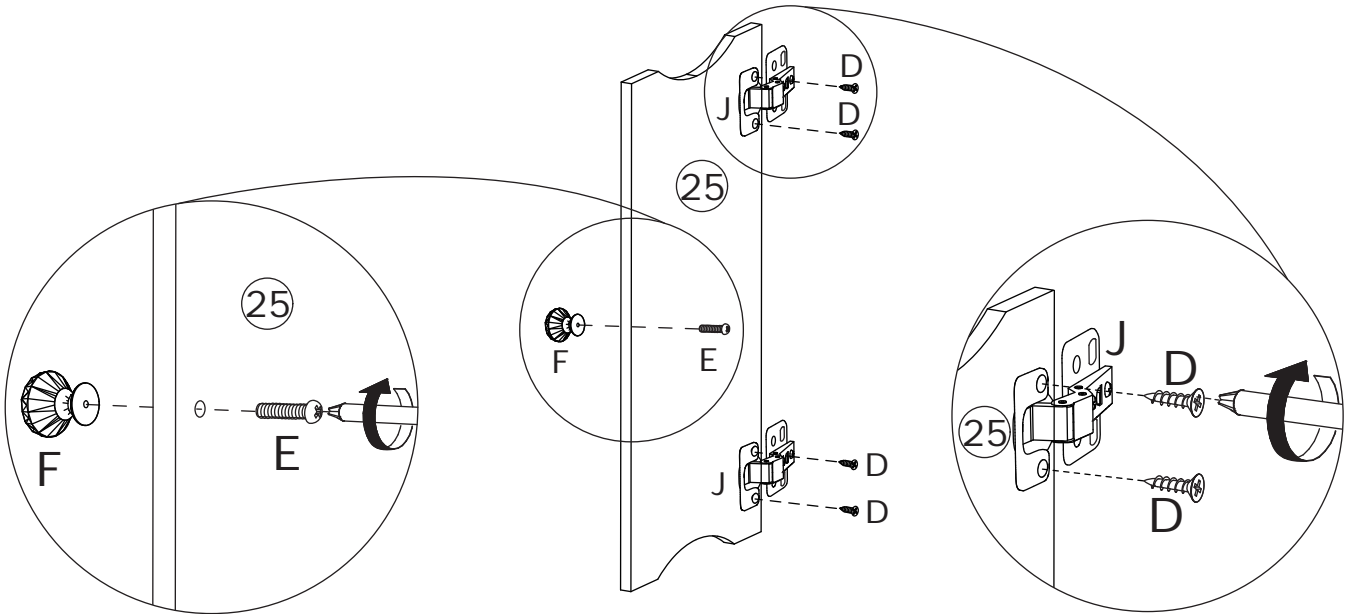
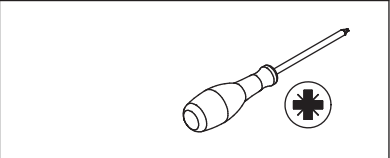
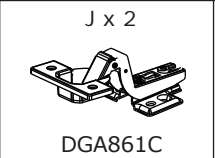
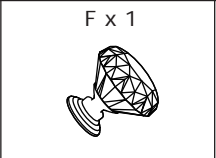
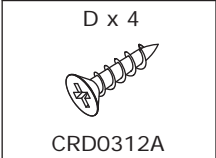
25



Align rails, slide mirror.

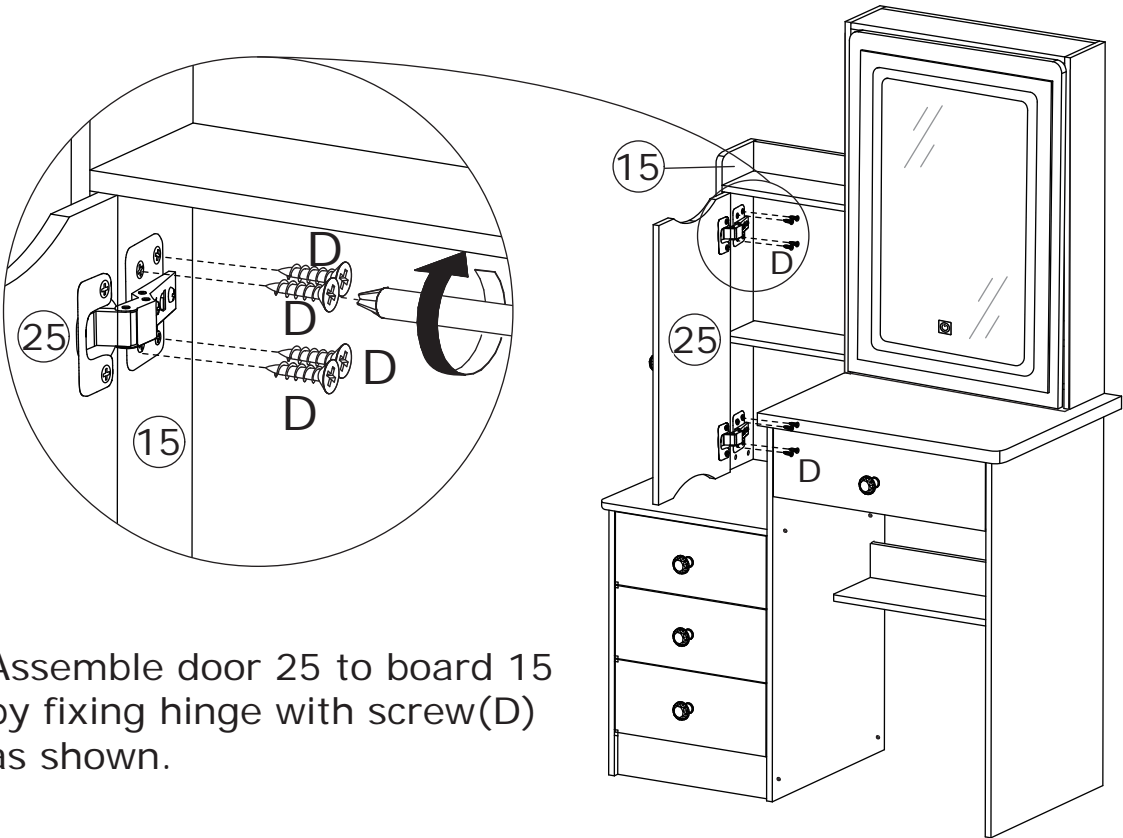
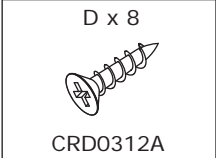


26

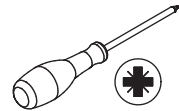


Fix hinge(J) to board 25 with screw(D) as shown.
Fix knob(F) with screw(E).

27

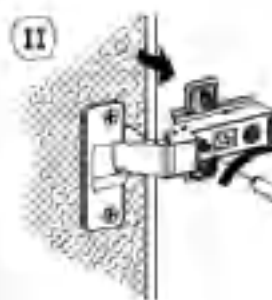
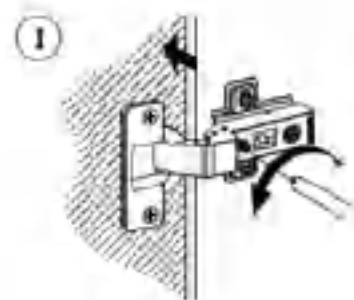
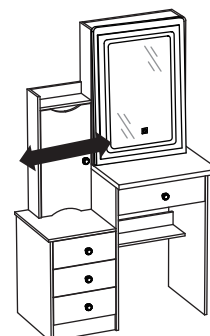
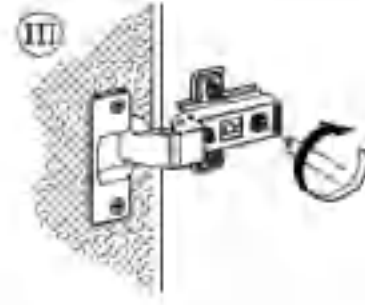
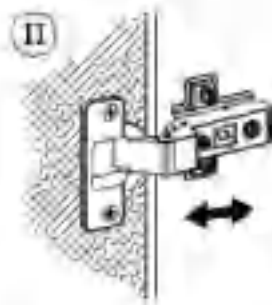
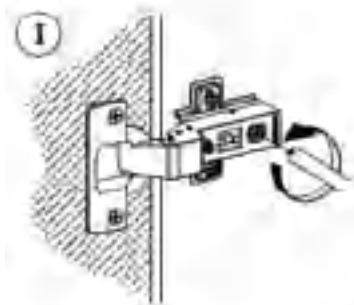
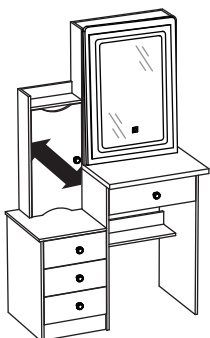
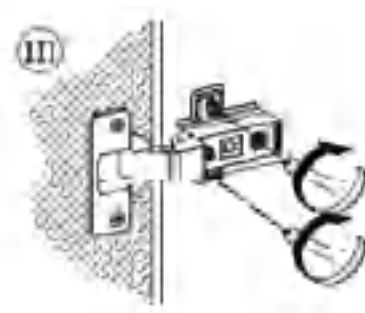
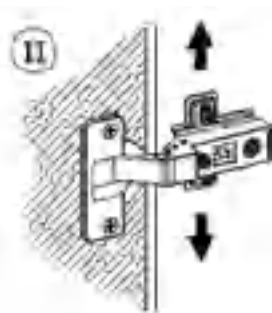
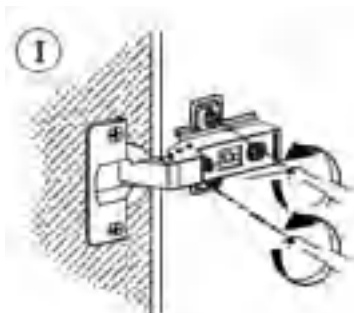
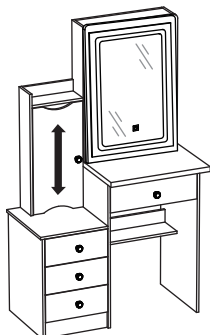
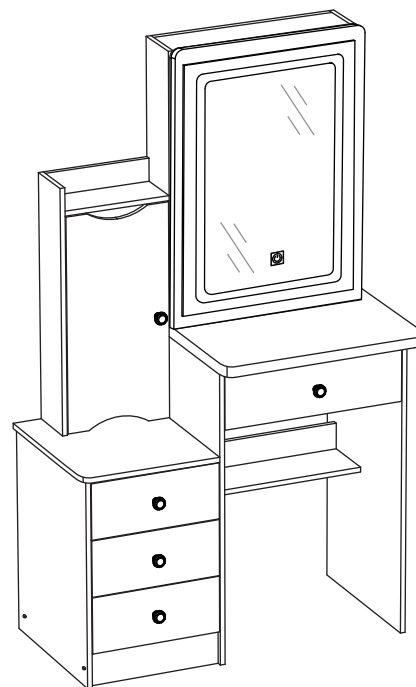


Assemble door 25 to board 15
by fixing hinge with screw(D)
as shown.

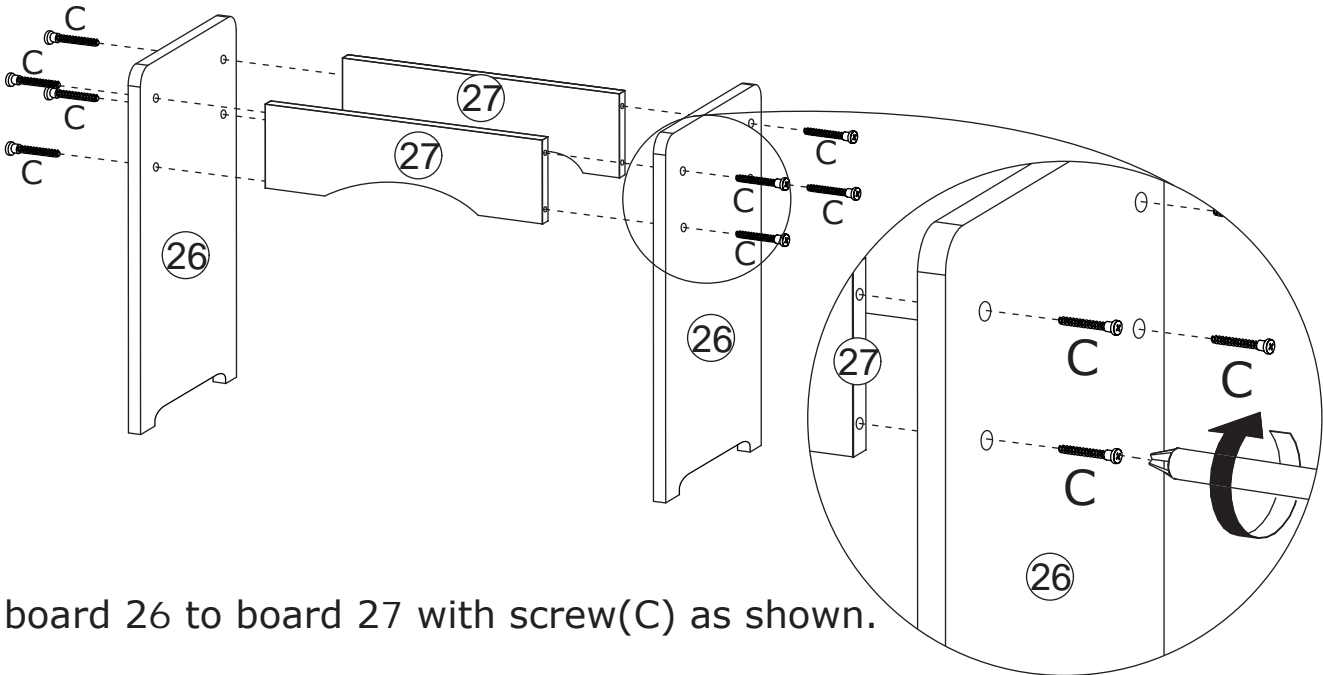
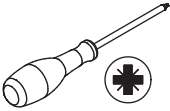


If doors are still not aligned if the hinges are properly correctly.

If there is misalignment after you install, adjust the screw to the best condition

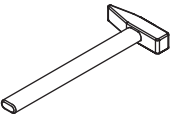
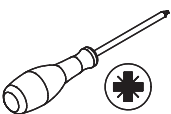
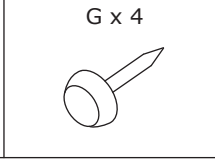
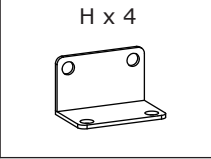
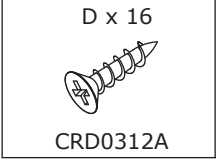


29

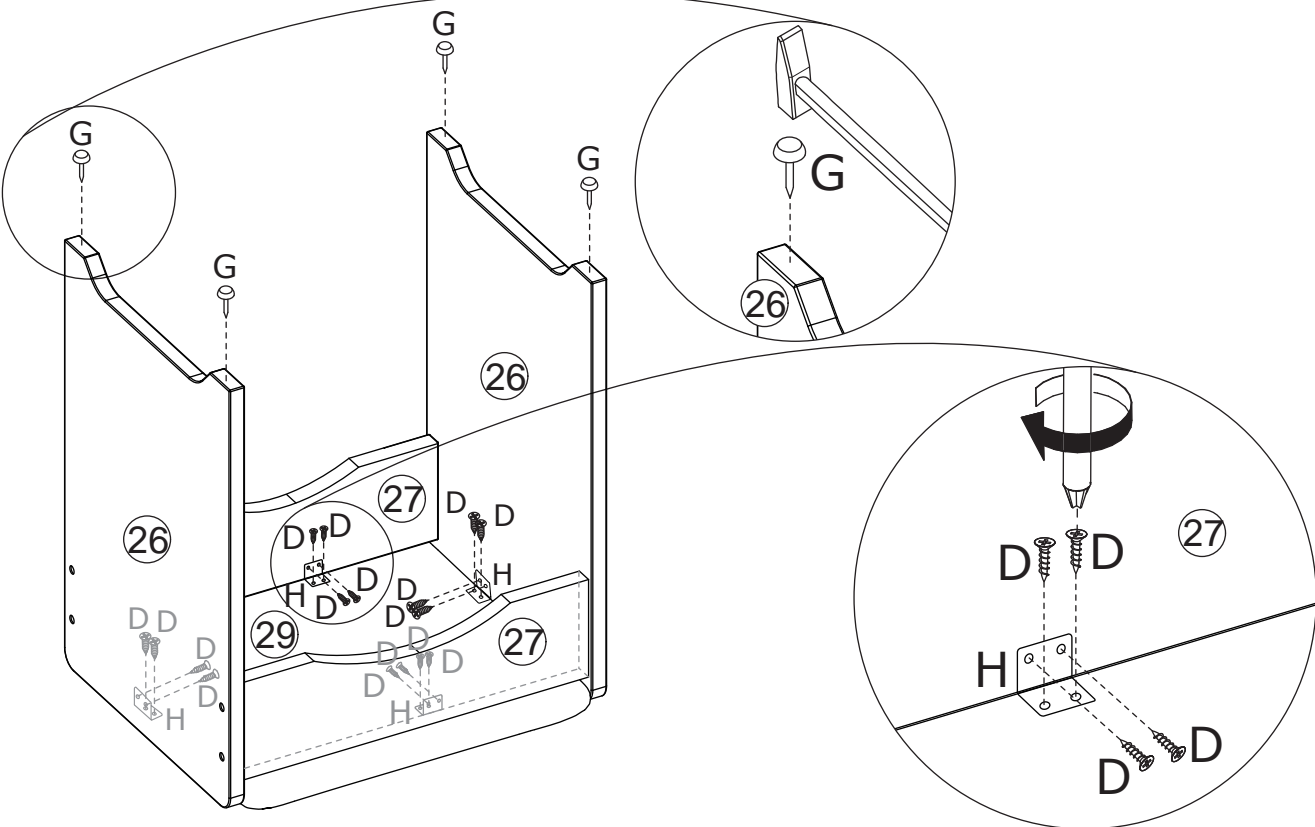


Fix board 26 to board 27 with screw(C) as shown.

30

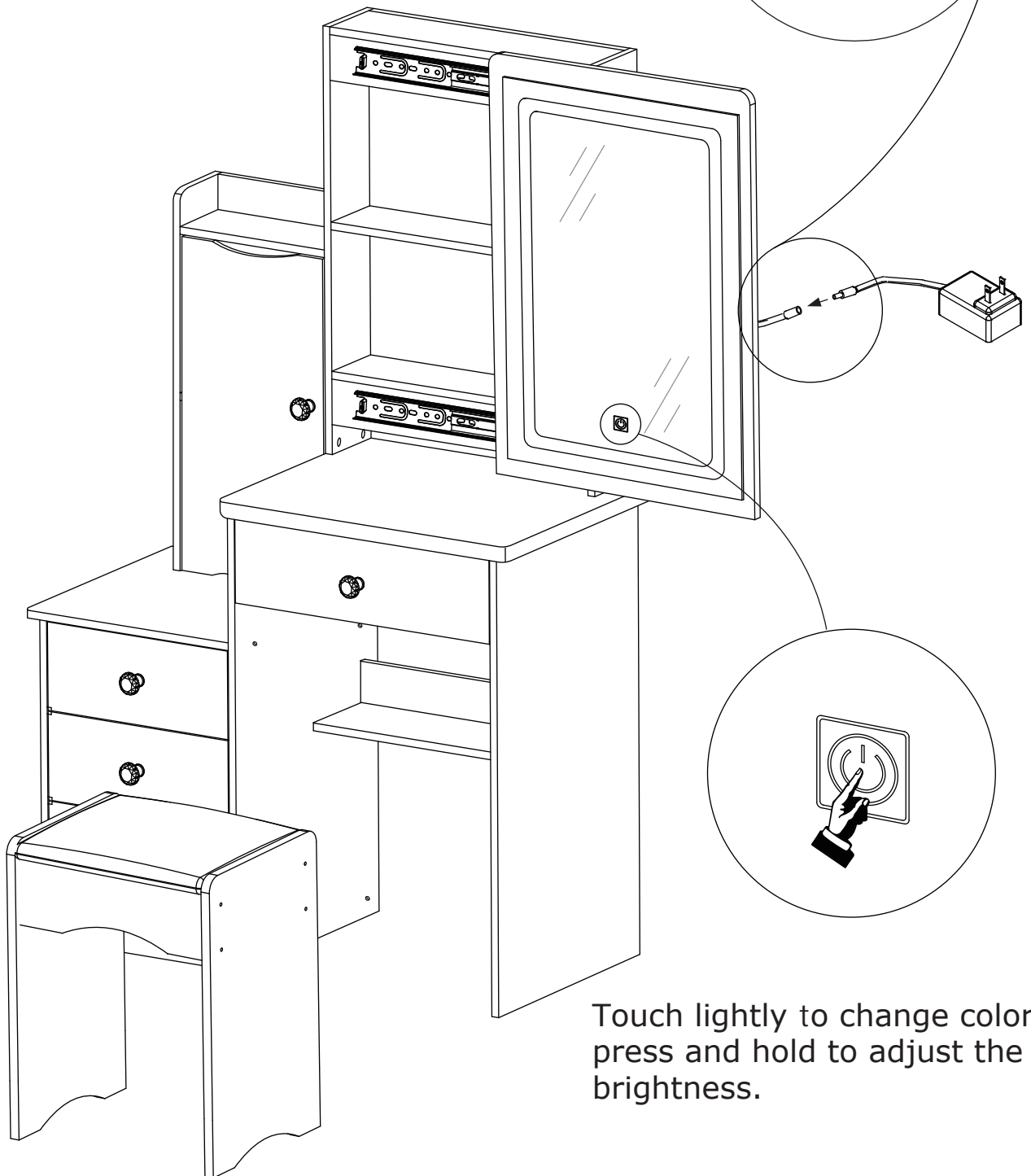
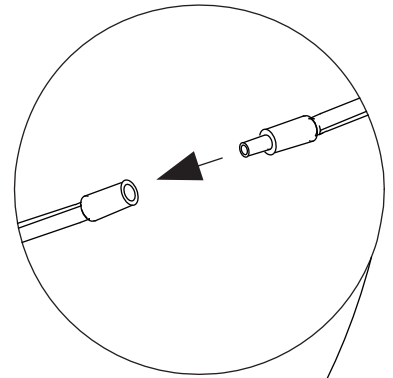
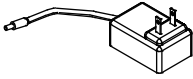


Attach board 29 to stool top and fix corner code(H) to it with screw(D) as shown. Knock peg(G) into the bottom as shown.



31

Power plug x 1



Touch lightly to change color,
press and hold to adjust the
brightness.

WARRANTY

WARRANTY CLAIMS

- There is a 30-day warranty for broken furniture or any other problems that do not work properly. The warranty will start from the date of purchase which must be verified by proof of purchase.
- Before making a claim, we may be able to answer your query, simply call us. Please leave your purchase order number, along with some details of the problem, if you want a replacement part. We will arrange within 48 hours. If there is out of stock, we will reply with a shipping date.
- The product must be used in accordance with the instructions provided. For health reasons.
- For other reasons, if the furniture needs to be returned, it must be cleaned and dried and operated within 30 days of receipt.

Type of Warranty Claim

- Failure to follow the furniture instructions will invalidate the warranty. Attention please.
- Does not include damage during installation, but includes damage during transportation.

Scope of responsibility

- Shall not bear any responsibility for misuse or user damage and / or loss of parts during the installation of furniture.
- After using, the damage and scratches of the furniture are not covered by the warranty.

The Warranty Relates to All Bought in The Us and Covers The Following Areas

- Sheet parts: 1 month from the date of purchase.
- Electrical parts: 1 month from the date of purchase.

RETURNS

CHANGED YOUR MIND AND NEED TO RETURN YOU ITEM?

PLEASE FOLLOW THE BELOW INSTRUCTIONS:

- If you have purchased and have simply changed your mind, follow the retailer's instructions for returns.

DEFECTIVE ITEMS

- If your item is defective in any way, i.e. it doesn't work but you can't identify why, in the first instance, please call us.

DAMAGED ITEMS

- If you receive an order with obvious shipping damage from the retailer, then we suggest the delivery is refused. If the delivery has been accepted and then shipping damage is found, please follow the specific instructions advised by the retailer.
In all circumstances please save all packaging material and paperwork for the order. Please be aware that if you dispose of packaging material or attempt to return the merchandise without contacting the fulfiller, you jeopardise your chances of making a claim, and you may not receive a credit for the return.