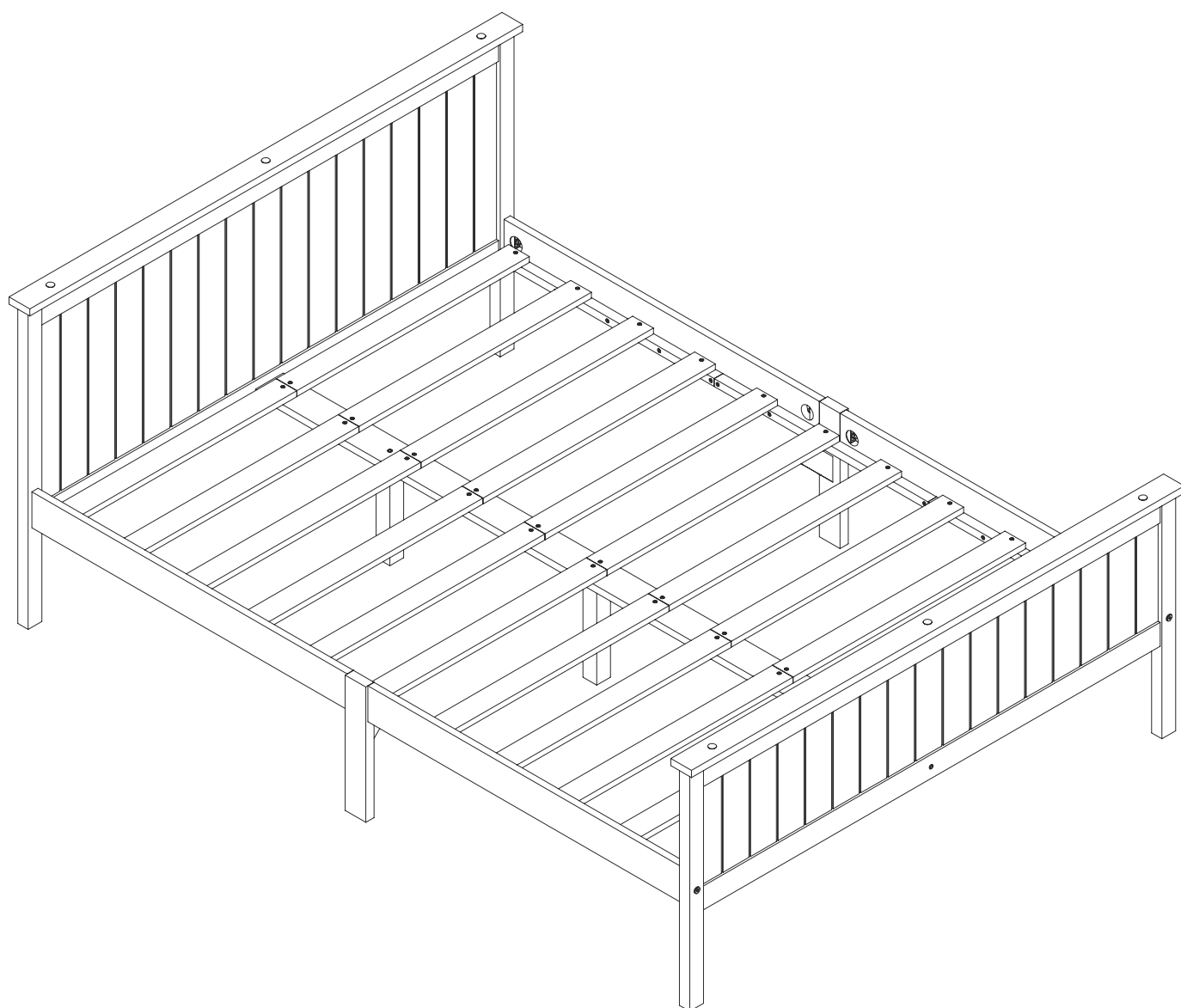







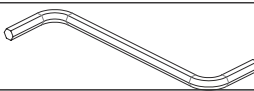





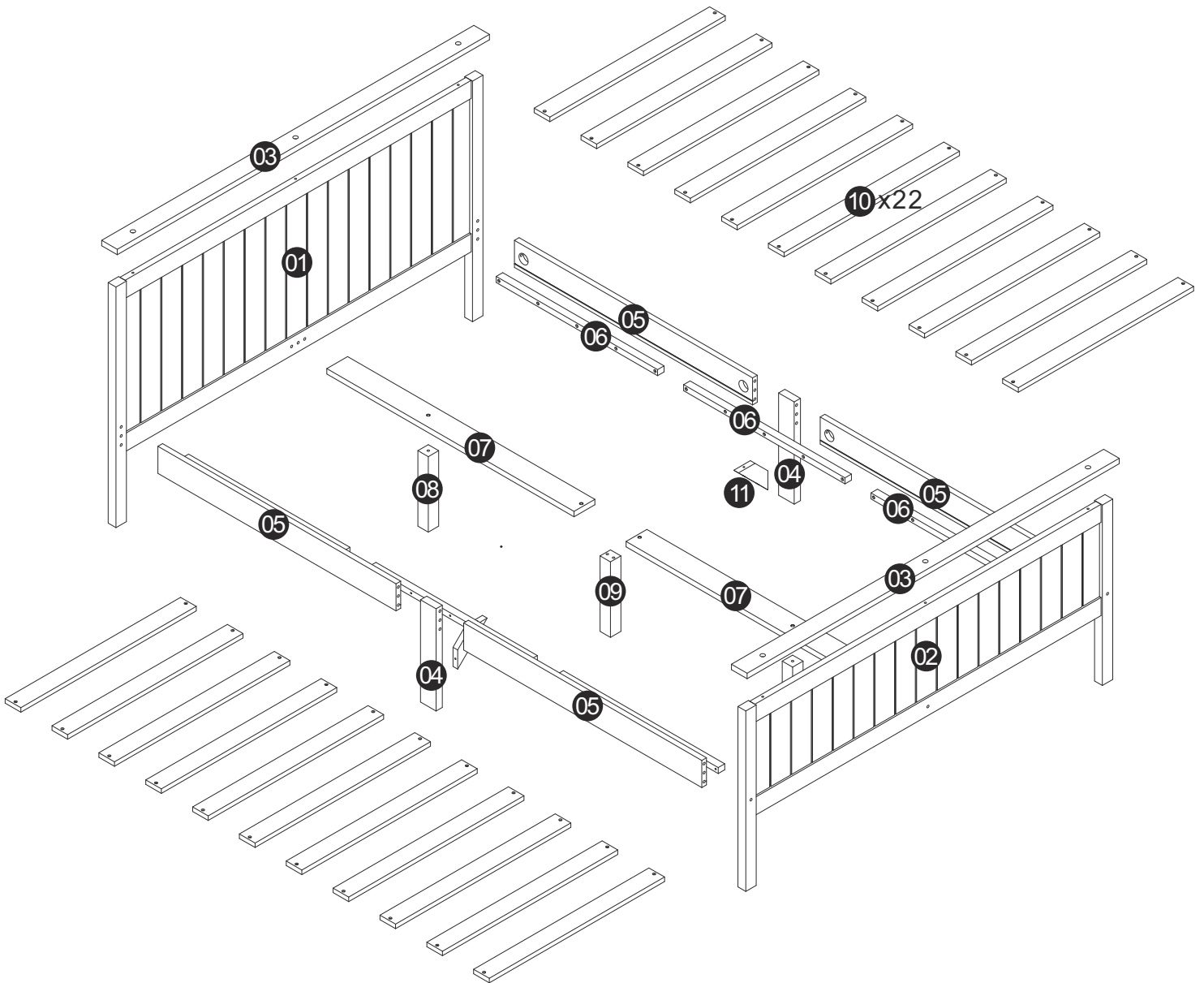


# Life Carver Double Bed



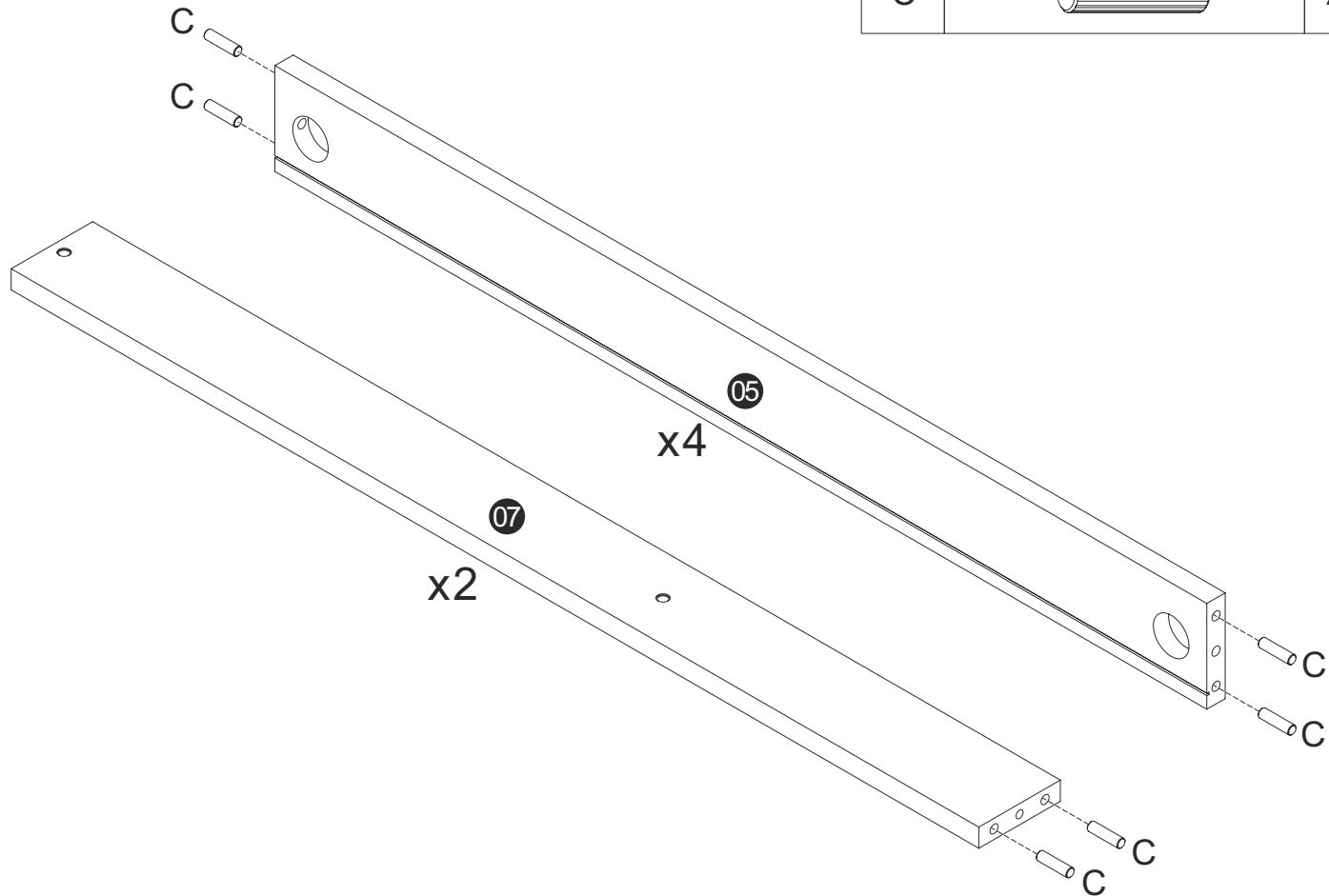
A	  M6x70	4	F		6
B	  M6x25	6	G	  $\Phi 4 \times 30$	78
C	 $\Phi 8 \times 30$	20	H		1
D		2	J		1
E	  	8	K		6

# PARTS LIST

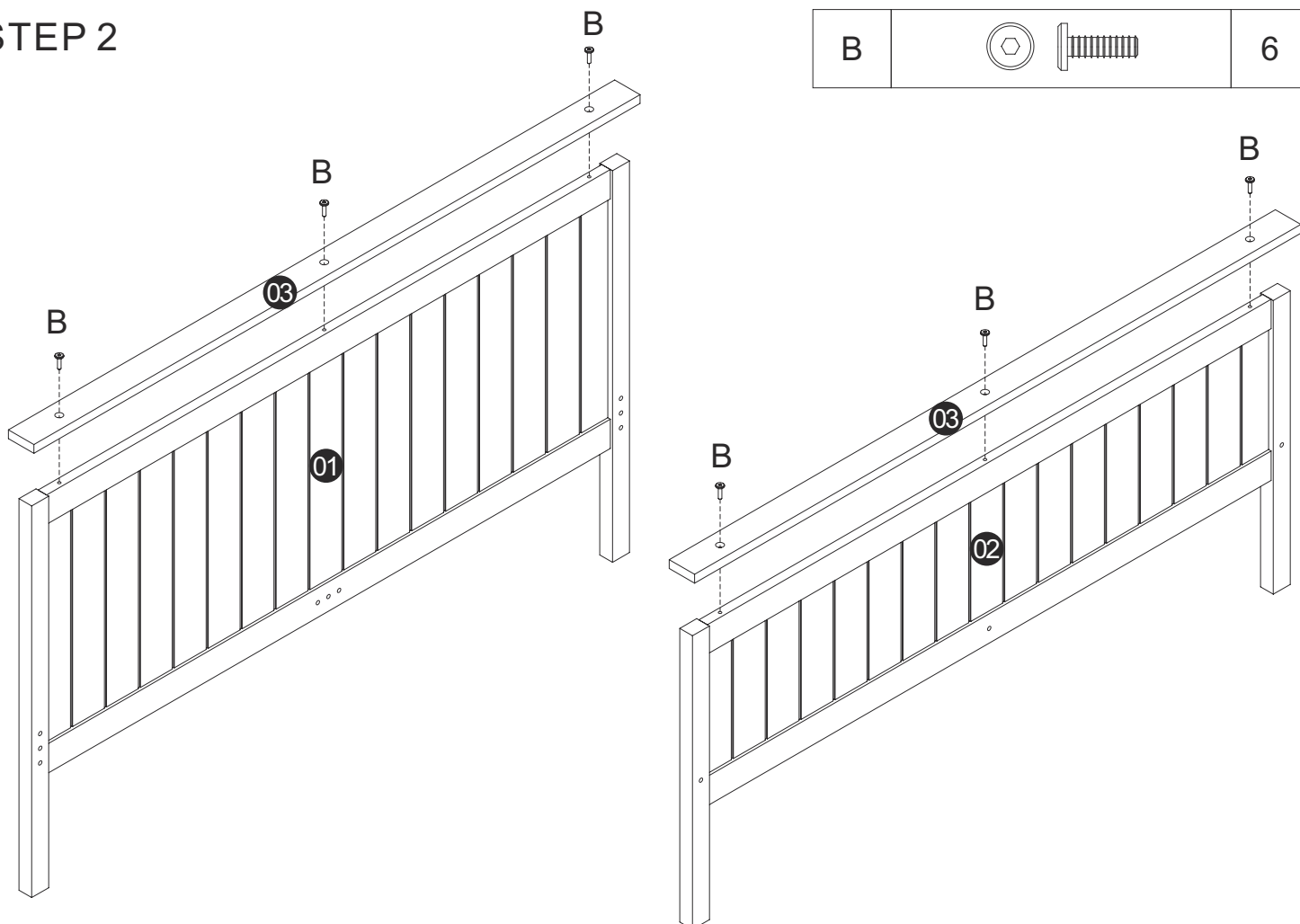


NO.	QTY	DESCRIPTION	NO.	QTY	DESCRIPTION
01	1	Bed head	06	6	Bedside support
02	1	Bed tail	07	2	Mid bar
03	2	Head/Tail board	08	2	Mid leg
04	2	Side leg	09	1	Mid leg
05	4	Bed side	10	22	Bed slat
			11	2	Side support

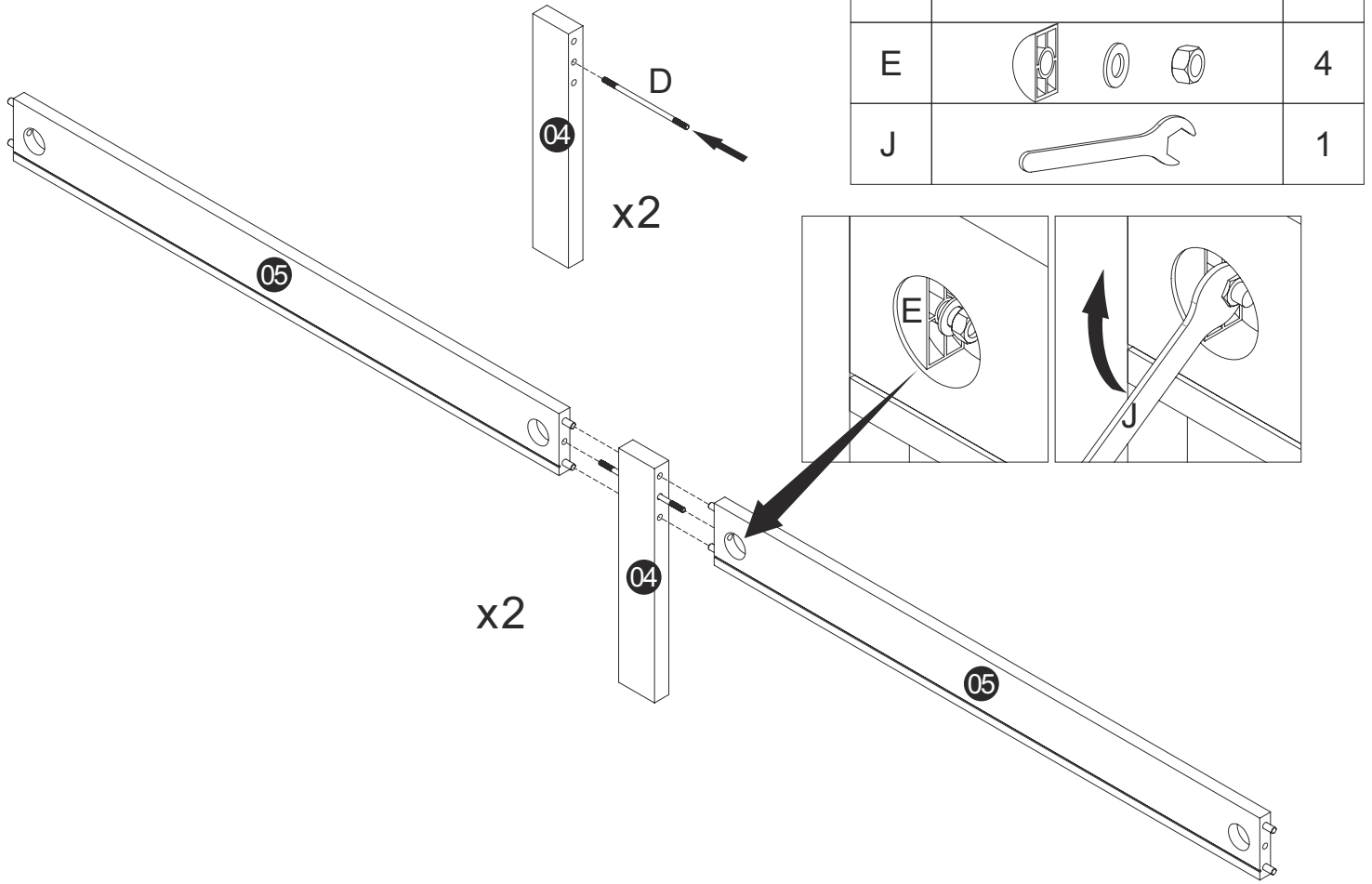
# STEP 1



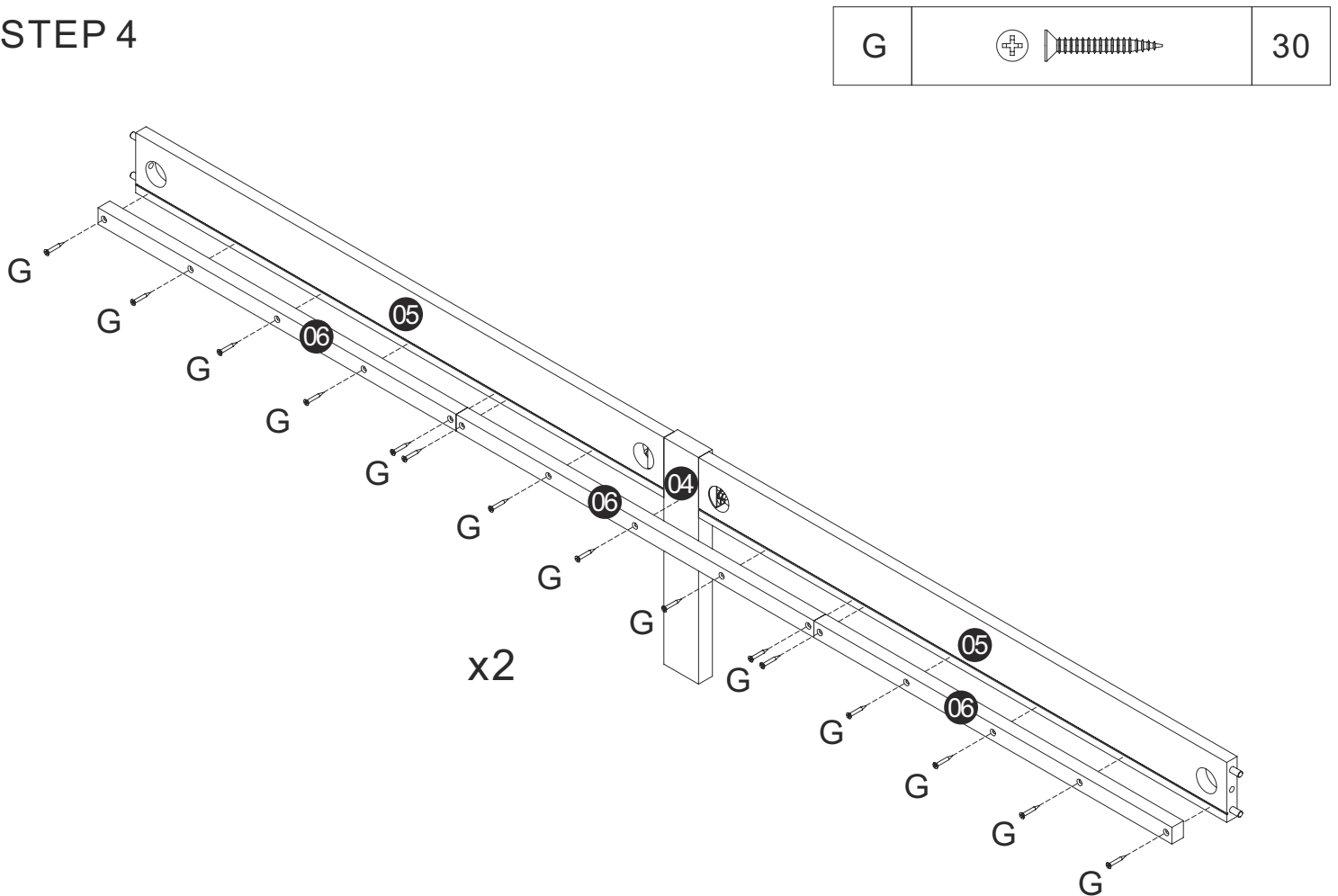
# STEP 2




### STEP 3

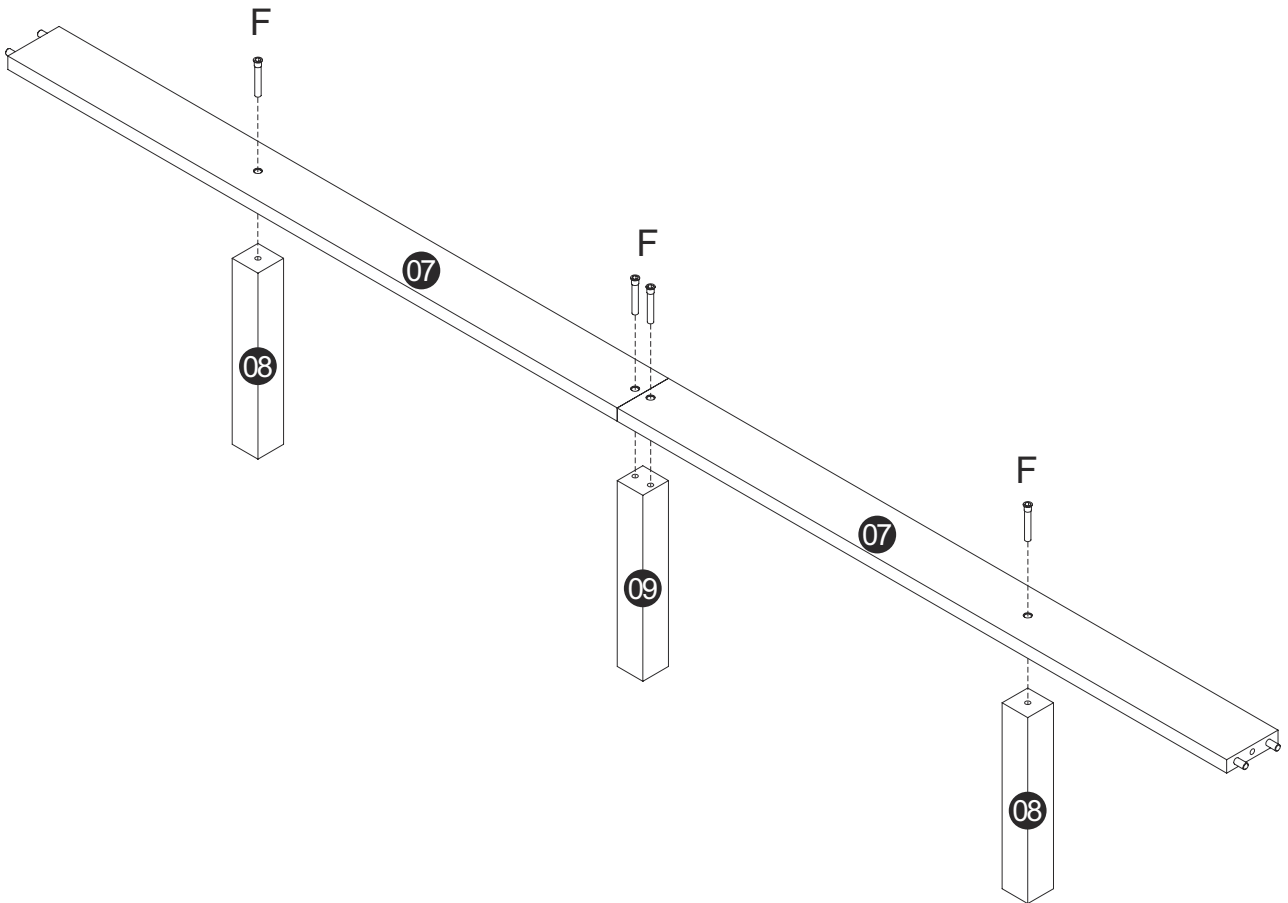


### STEP 4

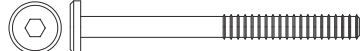





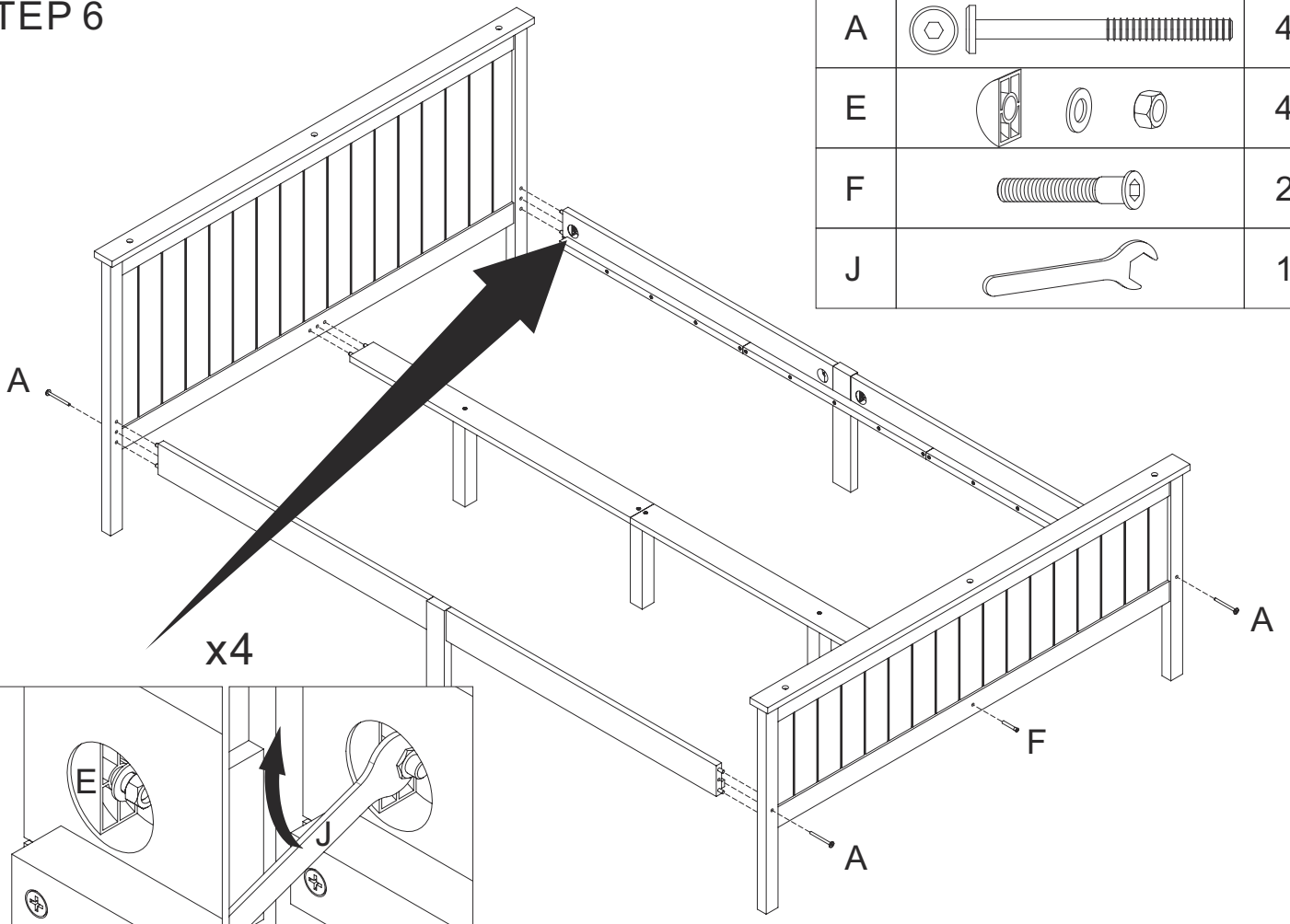
# STEP 5

F		4
---	--	---




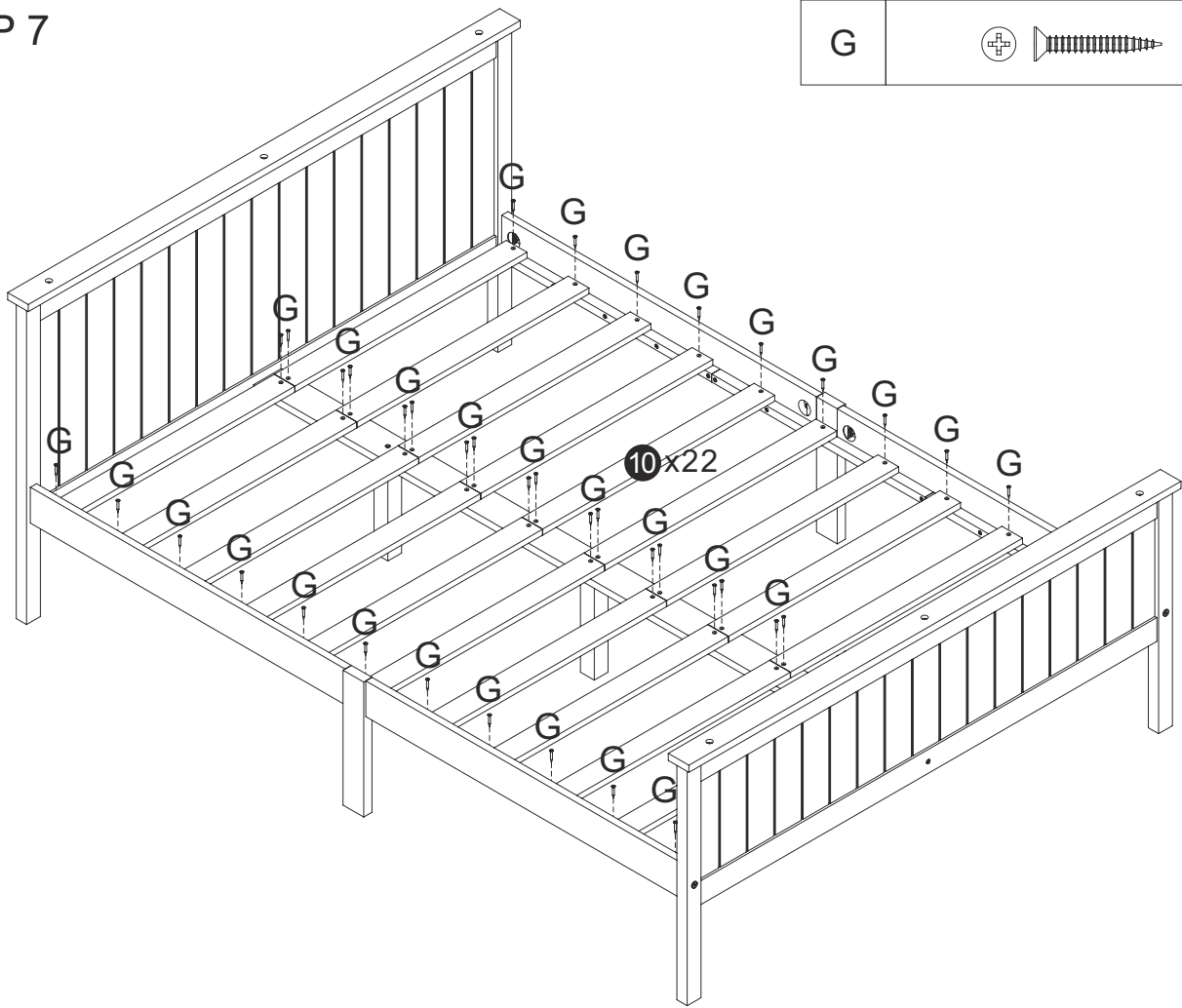
# STEP 6

A		4
E		4
F		2
J		1




# STEP 7

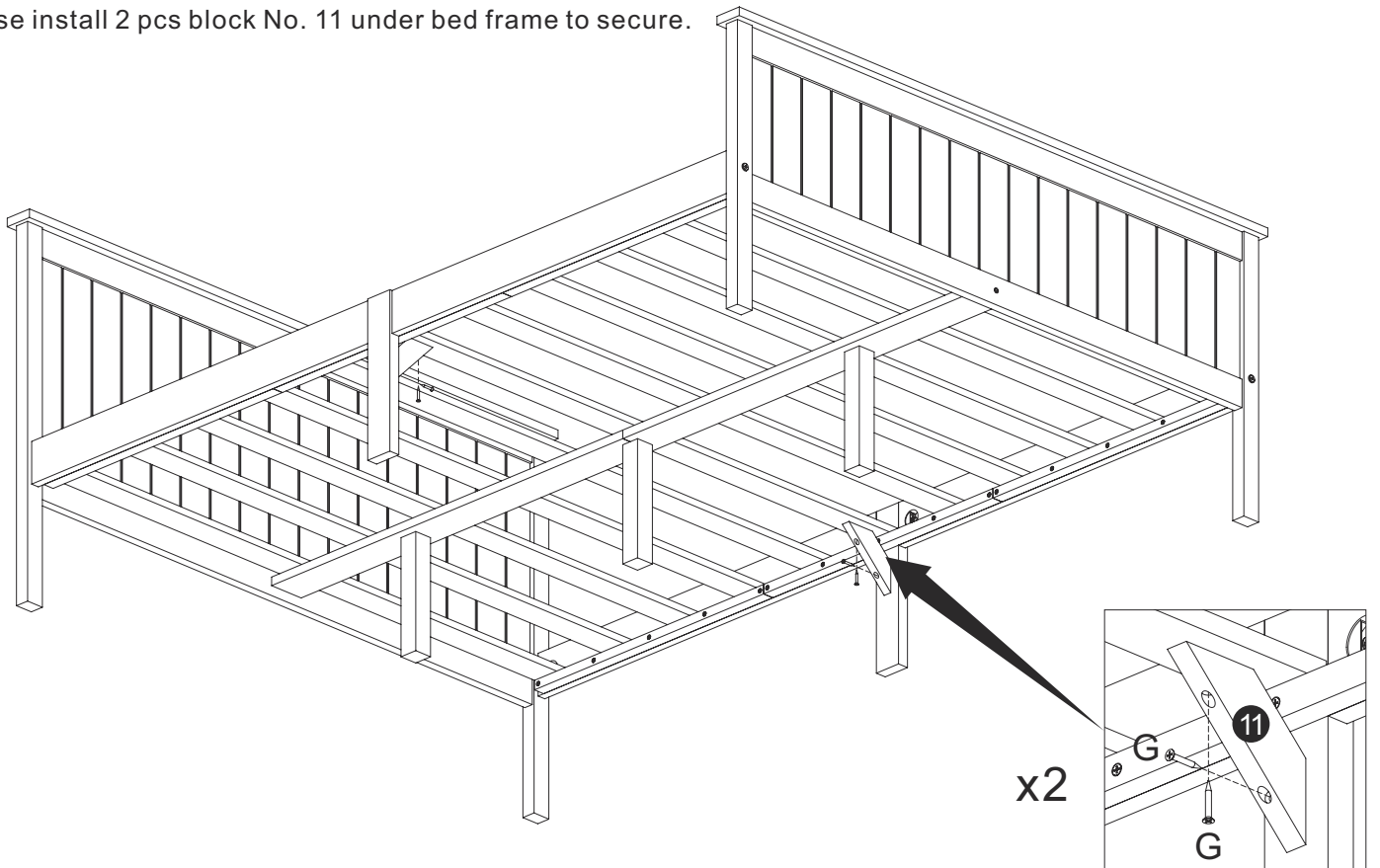
G		44
---	--	----



# STEP 8

G		4
---	---	---

This image shows a view from the bottom of bed frame, please install 2 pcs block No. 11 under bed frame to secure.



# STEP 9

