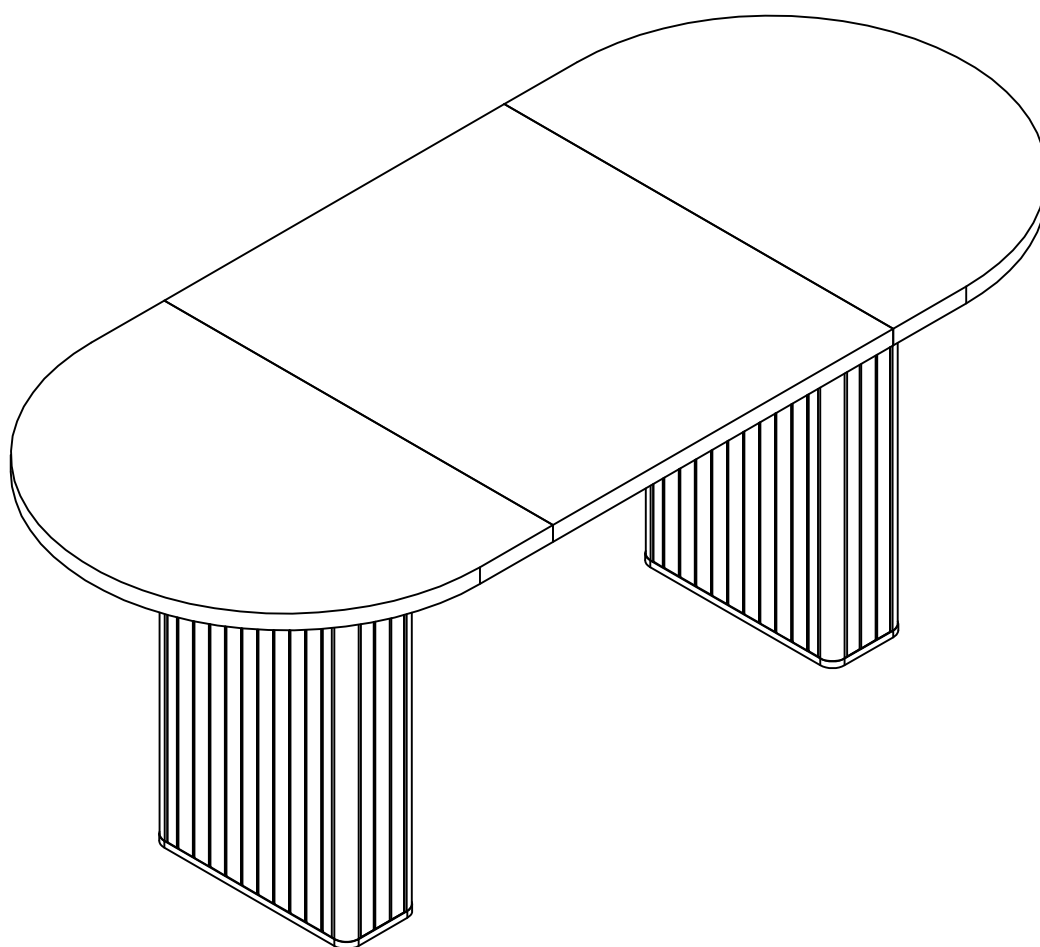


Installation Instruction



Assembling

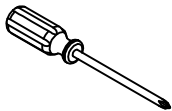
Estimated time for assembly



45 : 00

What you need

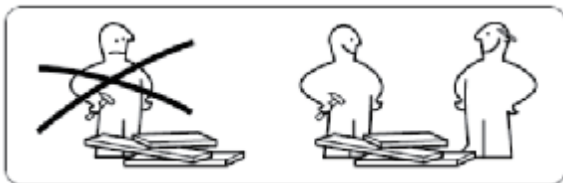
- Use the packaging carton as a working surface to prevent product damage during assembly
- Phillips head screwdriver



Weight Limitation



100 | **35**
lbs table top lbs per

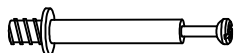


What' included

Code	Description	Qty
A	Cam Bolt M6X35MM	26
B	Cam Lock 15X9MM	26
C	Wooden Dowel M8X30MM	8
D	Screw M4X30MM	32
E	Screw M6X45MM	8
F	Screw M6X25MM	16
G	Wooden Dowel M6X30MM	24
H	Screw M6X45MM	16
I	Flat-head screwdriver	1
J	Wrench M4X55MM	1
K	EVA foot mat	8

The Hardwares

(A)



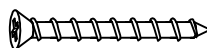
(B)



(C)



(D)



(E)



(F)



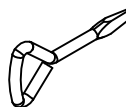
(G)



(H)



(I)



(J)



(K)



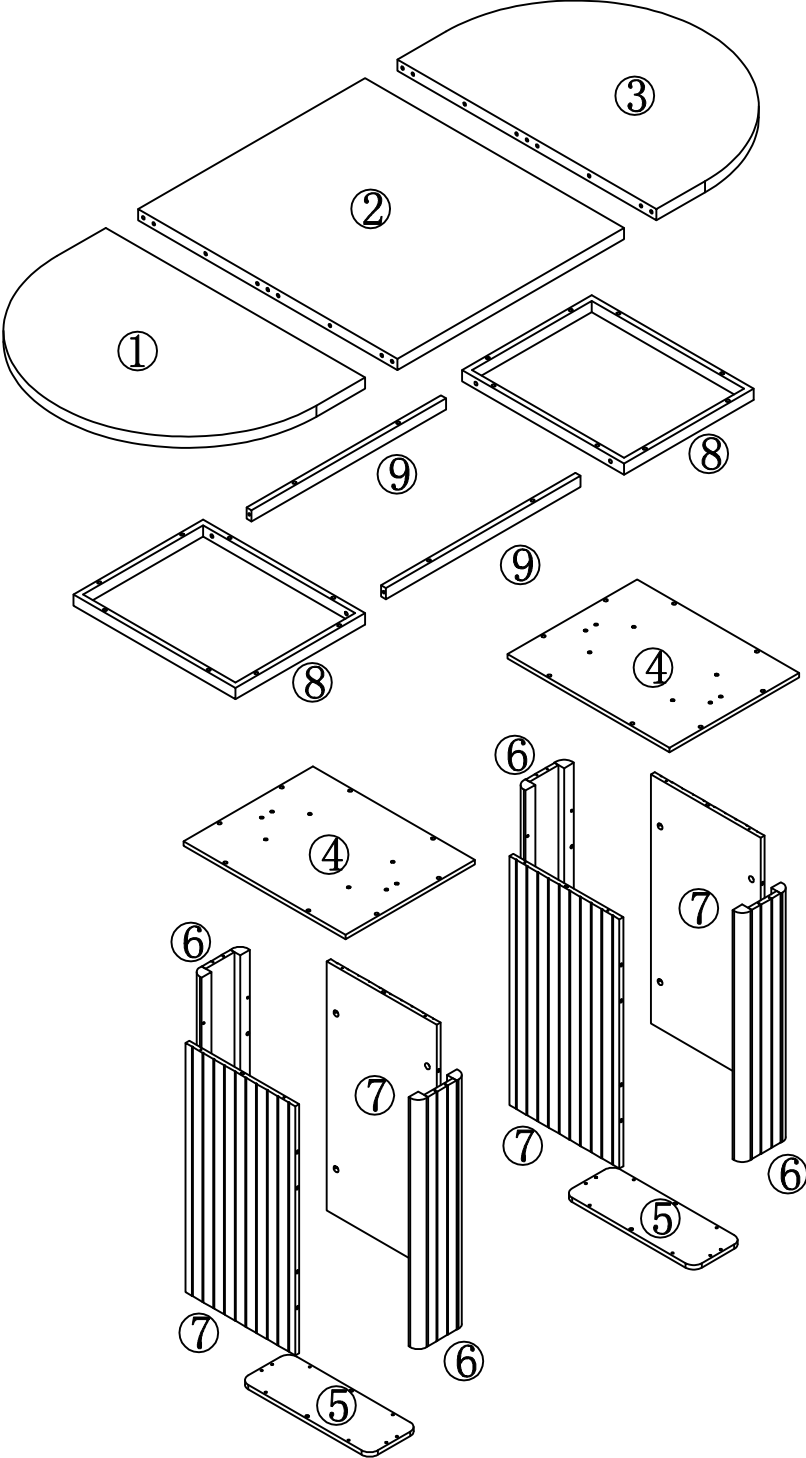
IMPORTANT:

1. Do not tighten bolts / screws completely until all bolts / screws are lined up and inserted into holes.
2. Do not over tighten screws and bolts to avoid stripping
3. Please use hand tools to assemble this product. Do not use power tools.

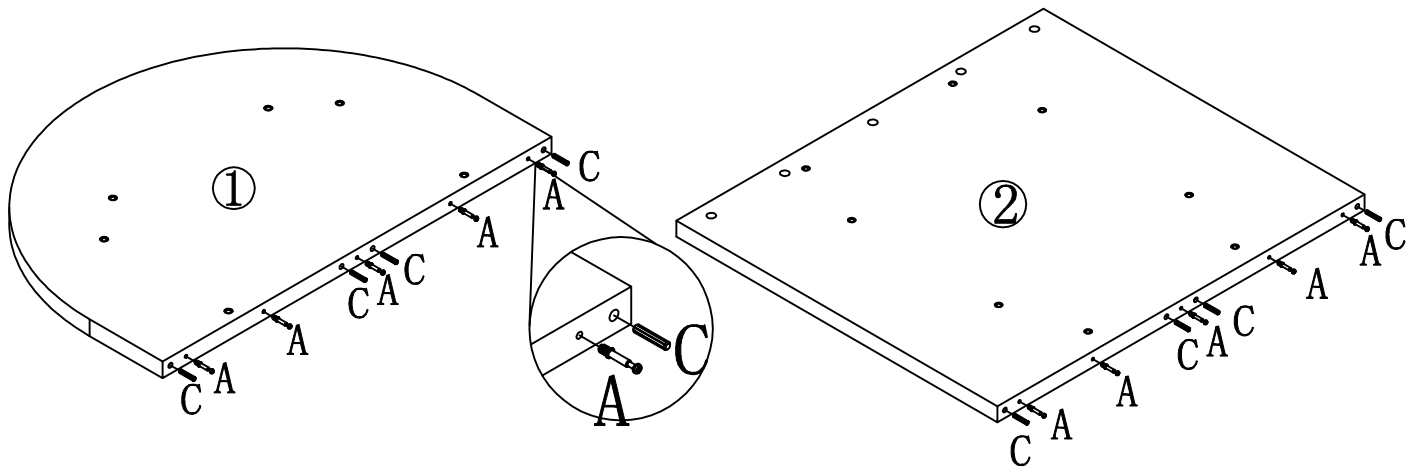
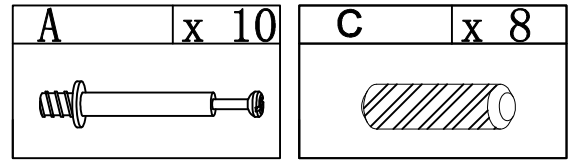
Included Accessories

Code	Description	Qty
1	Left panel	1
2	Intermediate panel	1
3	Right panel	1
4	Roof plate	2
5	Bottom plate	2
6	Anterior and posterior lateral plates	4
7	Lateral plate	4
8	Iron frame	2
9	Cross bar	2

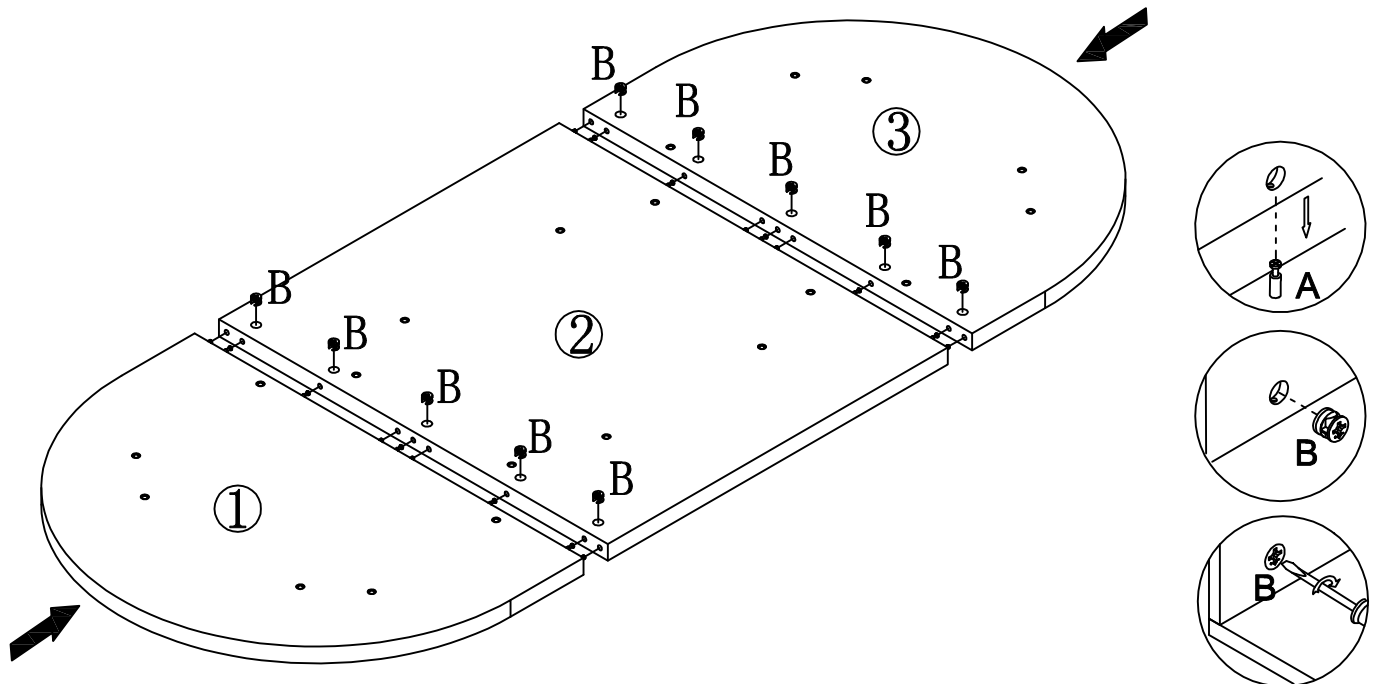
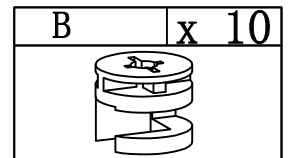
The Accessories




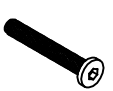
Step 1

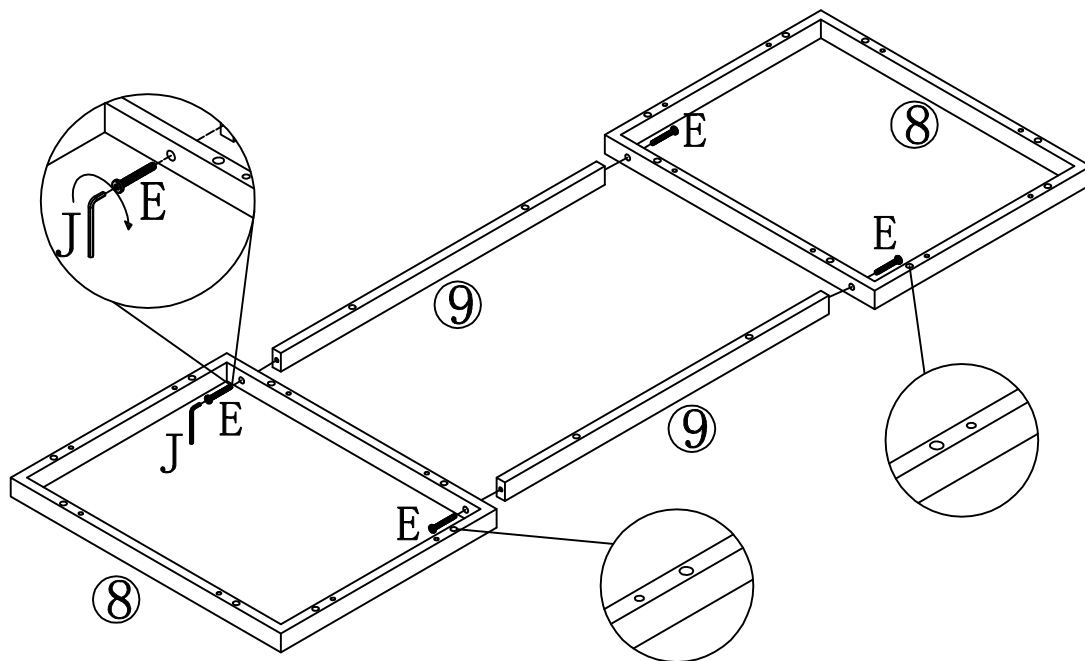


Step 2

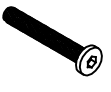
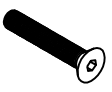
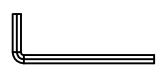


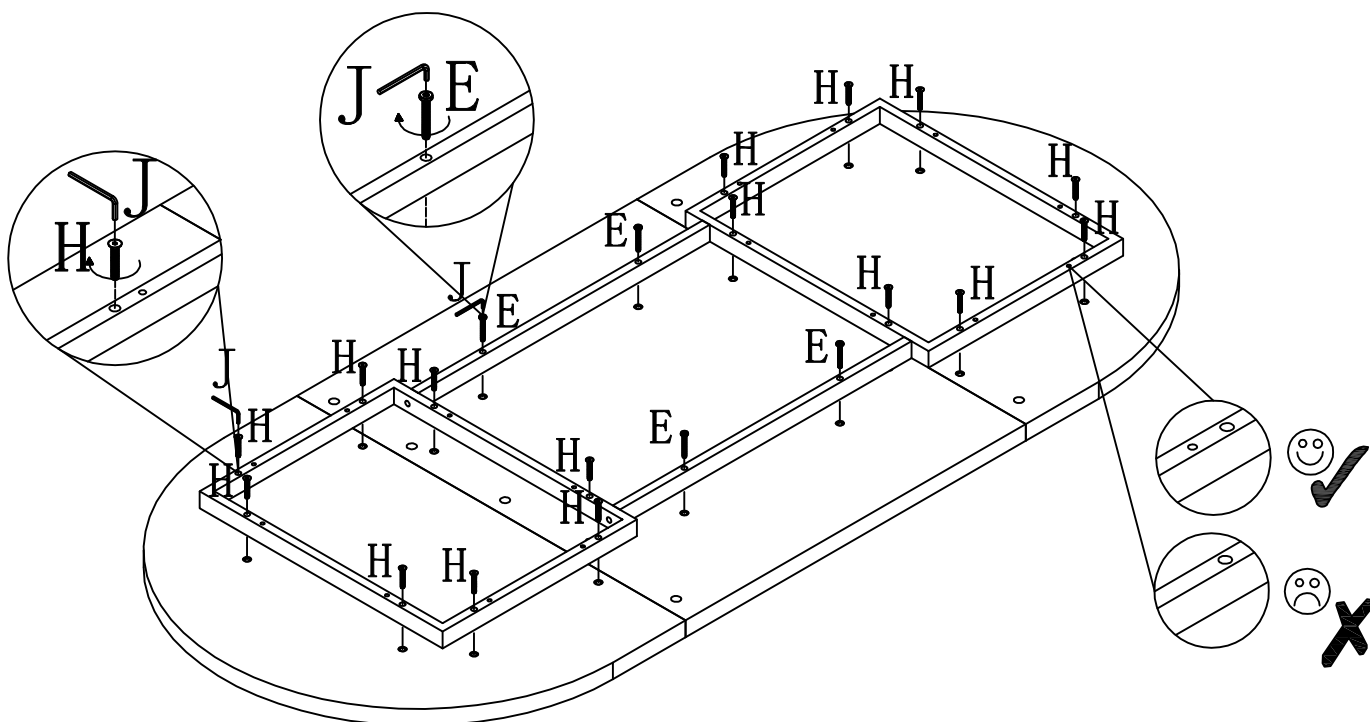
Step 3

J	x 1	E	x 4
			

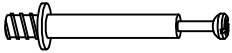


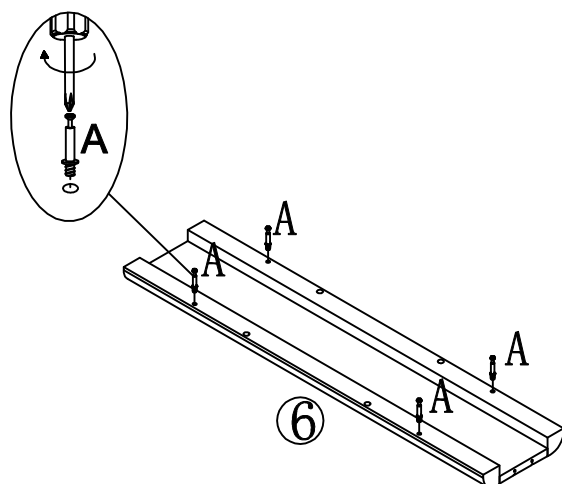
Step 4

E	x 4	H	x 16	J	x 1
					




Step 5


A	x 16
	

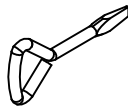


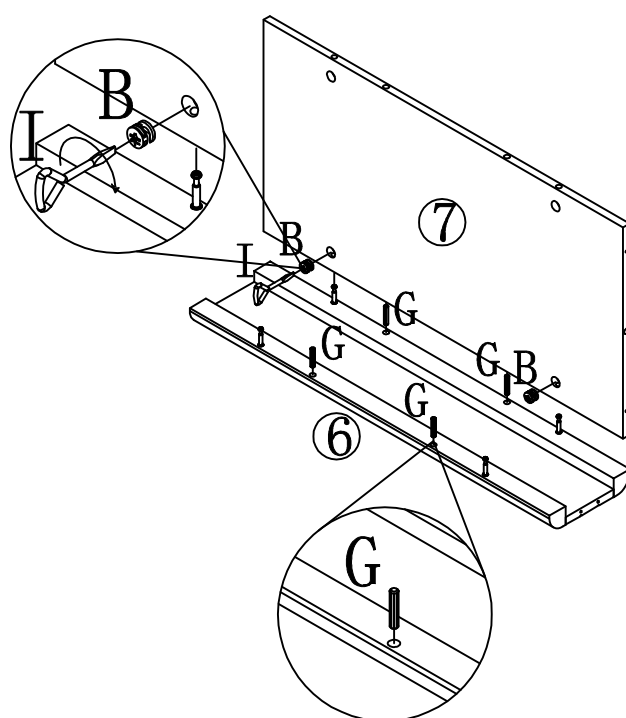
X 4

Step 6

B	x 4
	

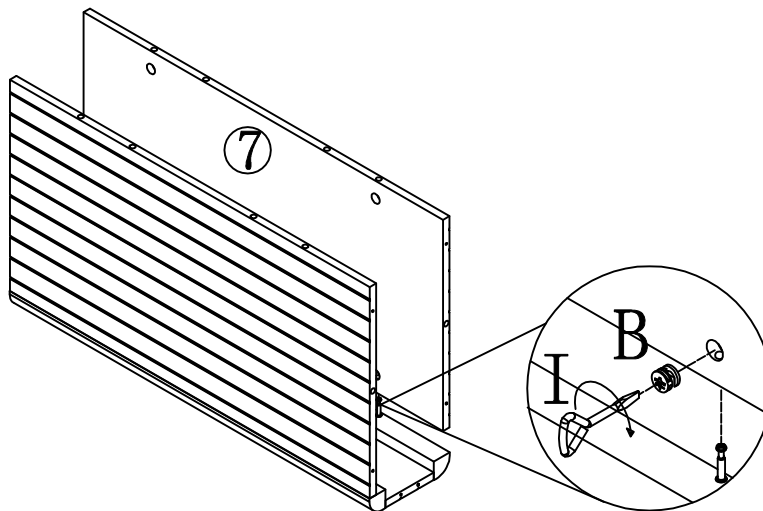
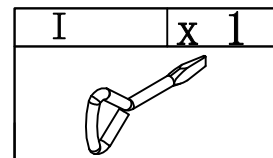
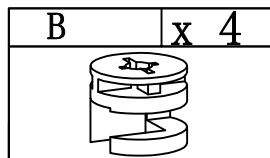
G	x 8
	

I	x 1
	



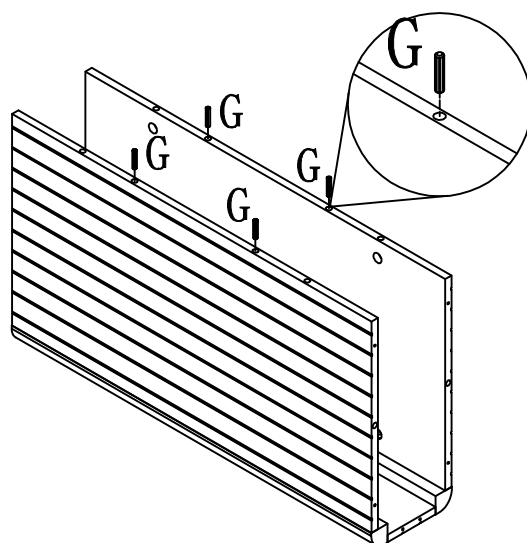
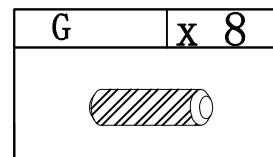
X 2

Step 7



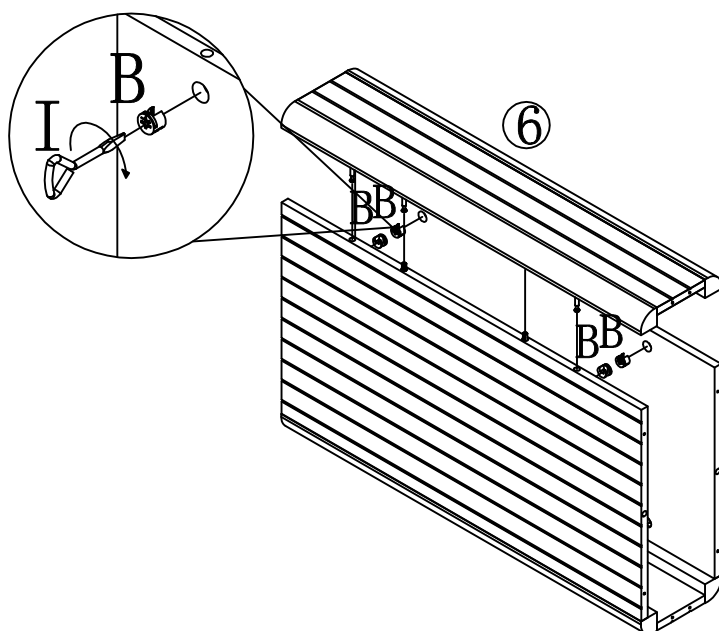
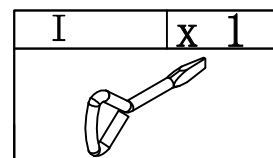
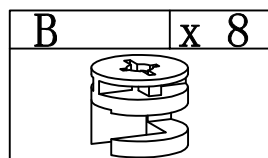
X 2

Step 8



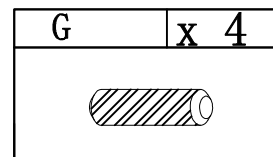
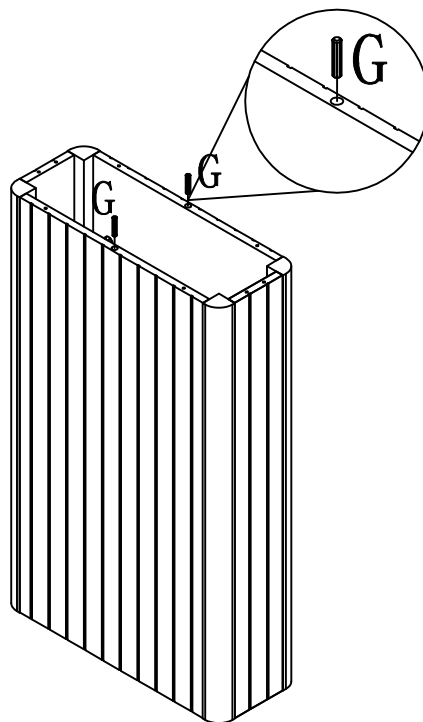
X 2

Step 9



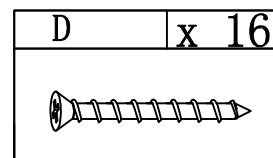
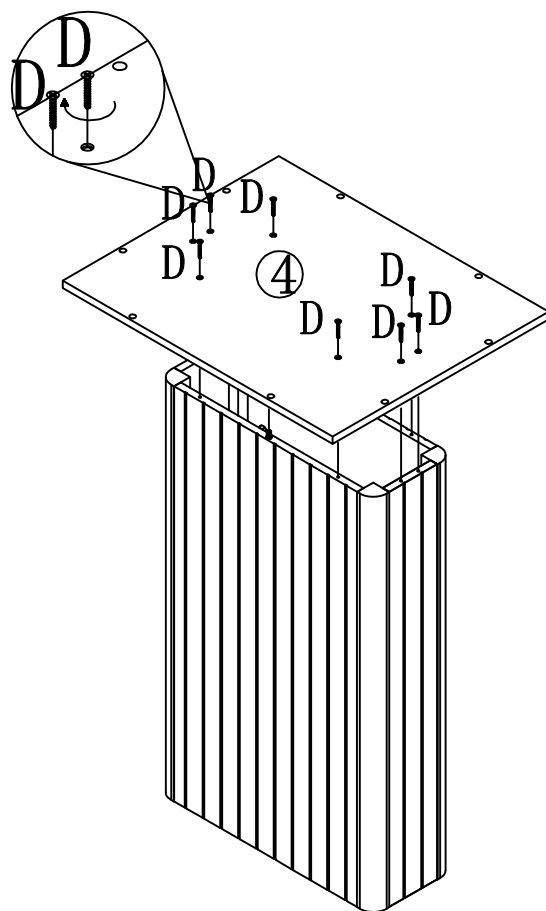
X 2

Step 10



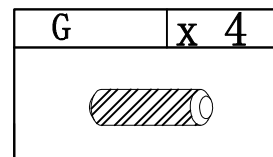
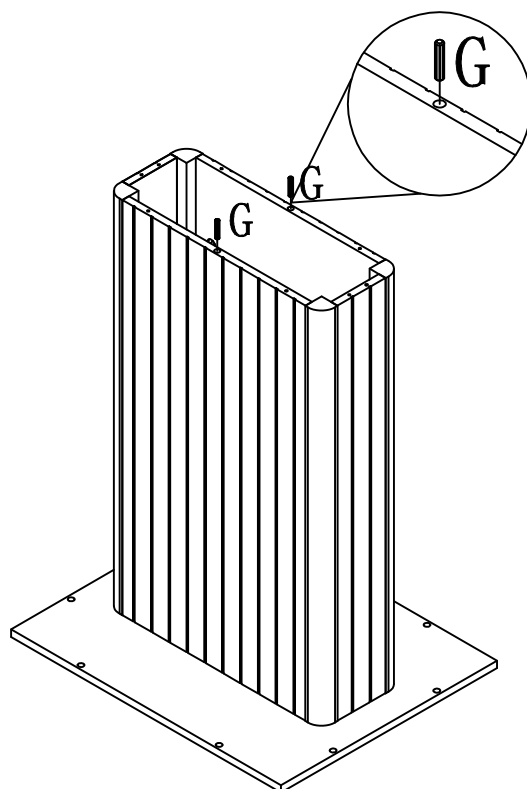
X 2

Step 11



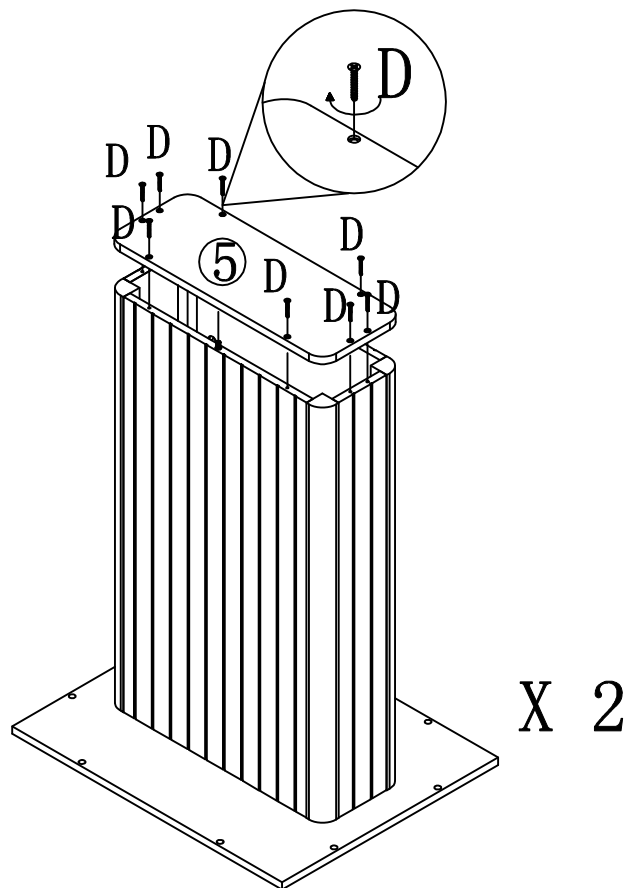
X 2

Step 12



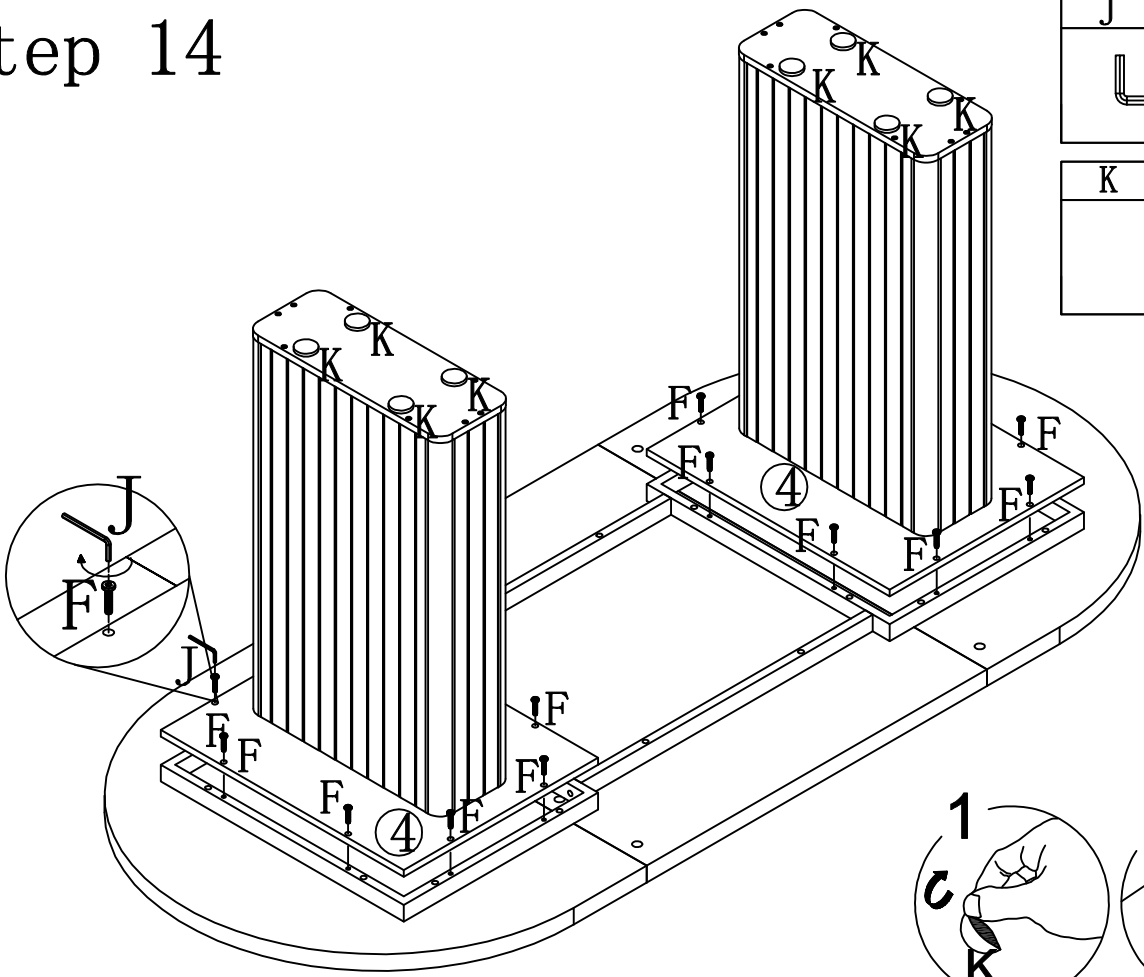
X 2

Step 13



D	x 16

Step 14



F	x 16

J	x 1

K	x 8

