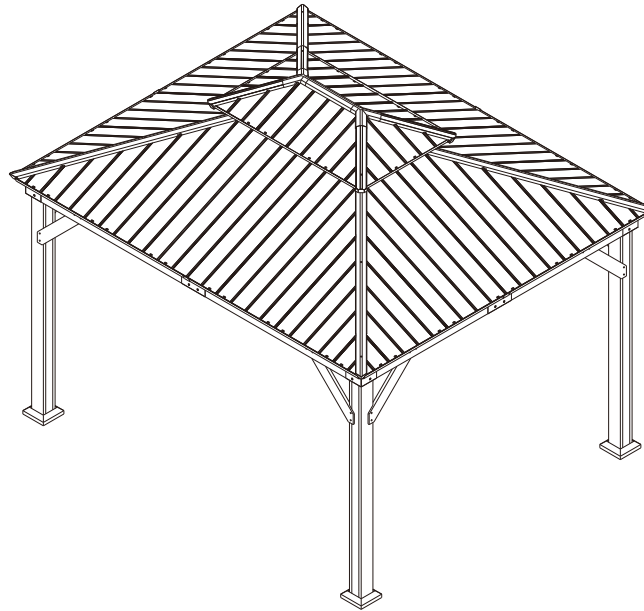




# ASSEMBLY INSTRUCTION

**10' x 12' Double-roof Hardtop Gazebo with Wood Posts**

**T1H1001002**

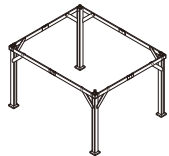


Illuminating Outdoor Living

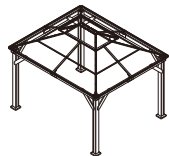
part 1: Precautions and Preparations ..... 3-5

part 2: Parts & Tools ..... 6-11

part 3 ..... 12-20



part 4 ..... 21-30



part 5 ..... 31-41



part 6 : Help Center ..... 42



**Transform your outdoor sanctuary with Oasisphere, where timeless elegance meets contemporary design. Our passion for creating exceptional outdoor spaces drives us to push the boundaries of innovation and craftsmanship. We understand that your outdoor space is an extension of your home – a place for connection, relaxation, and cherished moments.**

**That's why every piece in our collection is thoughtfully designed to blend beauty with functionality, creating harmonious environments that inspire outdoor living at its finest.**

**Our commitment goes beyond manufacturing premium patio furniture. We collaborate with leading designers and artisans to bring you collections that capture the essence of modern outdoor living. Each product reflects our dedication to quality, sustainability, and enduring style. By listening to our customers and embracing innovation, we continue to evolve and create solutions that enhance the way you experience your outdoor space.**

**From intimate garden settings to expansive patios, we provide the elements that turn your vision into reality.**

**Oasisphere - Where Life Blooms Outdoors**



## WARNING

- 1. Four or more people are required for assembly.**
- 2. A ladder and electric drill may be necessary.**
- 3. Do not erect the structure in heavy winds or inclement weather.**
- 4. Do not use candles, matches, or any open flames near the tent.**
- 5. To better align the screws for practical situations, do not fully tighten screws initially.**
- 6. Professional installation is highly recommended.**

## WARNING

- In case of strong winds, do not remain under or inside the gazebo.
- Do not stay under the gazebo during heavy snowfall.
- For safety, secure the posts to the ground using expansion bolts.
- During windy conditions, ensure all fence panels and netting are properly tightened to prevent wind damage.
- In severe weather, you may secure additional stability by attaching ropes to the four corners of the gazebo.
- Remove accumulated snow from the roof promptly during snowfall.
- Ensure all screws are properly tightened before use.
- Check and retighten all screws, buckles and straps every 90 days.
- During assembly, keep all screws loosely fastened until installation is complete, then fully tighten.
- Do not use or store near open flames or flammable chemicals.
- Exercise caution - some components have sharp edges and should be handled with protective gloves.
- If any parts become missing, broken, damaged or worn, stop using the product until repairs are made using factory authorized replacement parts.
- Installing the product in a way that does not follow manufacturer's instructions may void the warranty coverage.

## WARNING

**WARNING:** This product can expose you to Carbon monoxide, which is known to the State of California to cause birth defects or other reproductive harm. For more information go to [www.P65Warnings.ca.gov](http://www.P65Warnings.ca.gov)

# PARTS



41 X 2



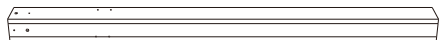
42 X 2



43 X 2



44 X 2



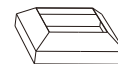
20 X 4



21 X 4



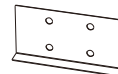
22 X 4



A1 X 4



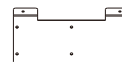
A2 X 4



B1 X 4

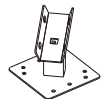


B2 X 4



B3 X 4

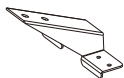
# PARTS



**C1** X 4



**E** X 4



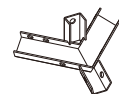
**C2** X 4



**E1** X 4



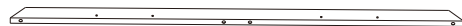
**D** X 2



**F** X 4



**D1** X 2



**F1** X 2



**D2** X 2



**F2** X 2

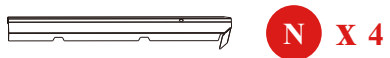
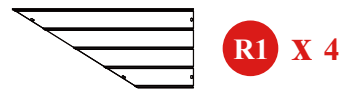
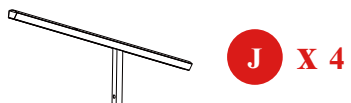


**D3** X 2



**G** X 4

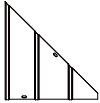
# PARTS



# PARTS



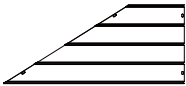
**R3 X 2**



**R9 X 4**



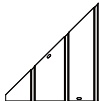
**R4 X 4**



**R5 X 4**



**R6 X 4**

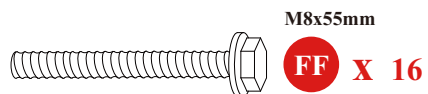
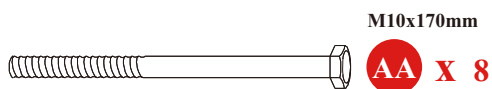


**R7 X 4**



**R8 X 2**

# HARDWARE



# SPARE HARDWARE

ST4.8x30mm



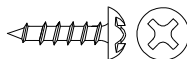
**DD** X 4

D24xM10x1.2



**JJ** X 1

ST4.8x25mm



**SS** X 2

M10



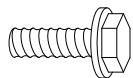
**KK** X 1

M8x30mm



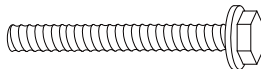
**EE** X 1

M6x15mm



**LL** X 10

M8x55mm



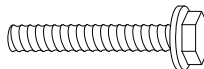
**FF** X 1

M8X8MM



**NN** X 1

M6x45mm



**GG** X 1

M8



**MM** X 1

D20xM8x1.2



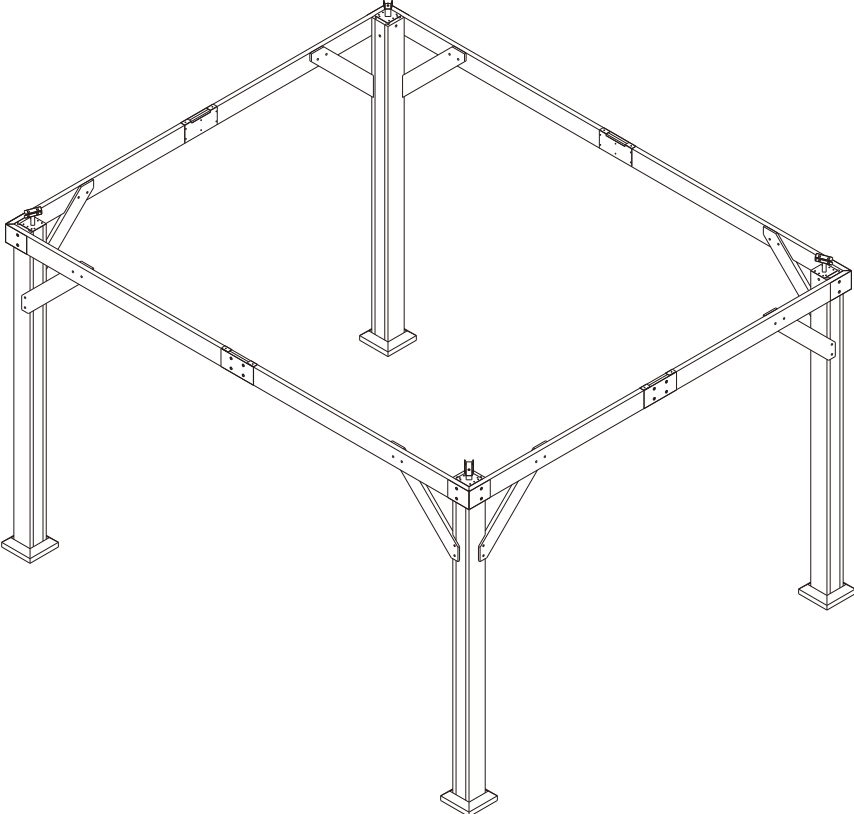
**HH** X 3

D7-D20x2. 0

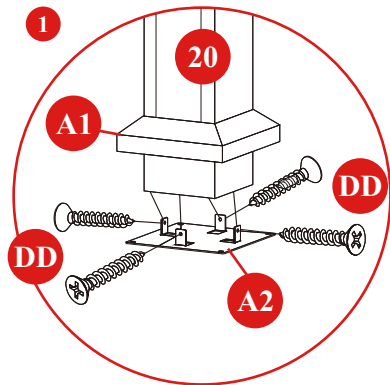
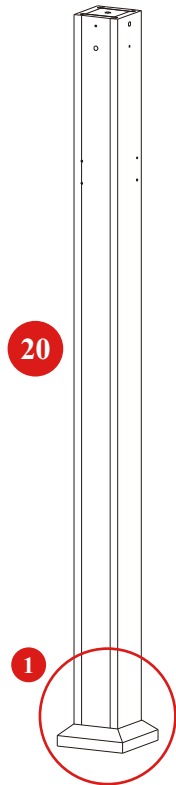
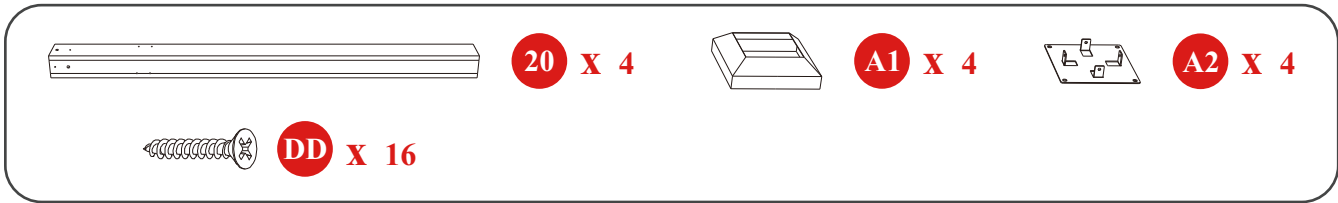


**RR** X 1

# Part 3

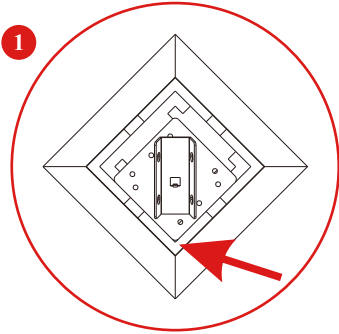
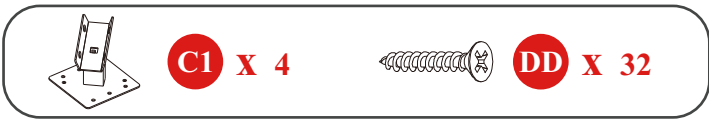


1

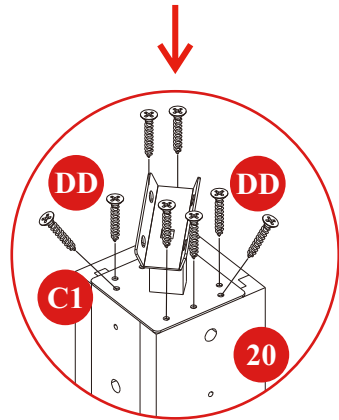


x4

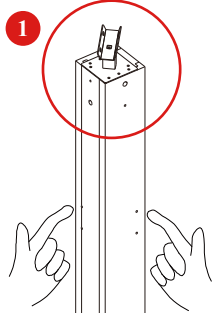
2



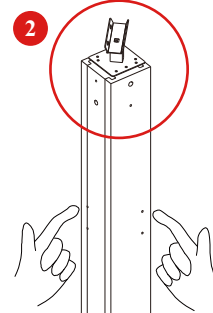
C1 Install closer to outer side



x2

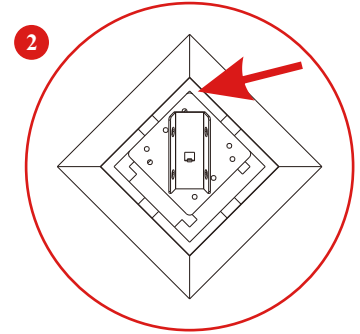


20

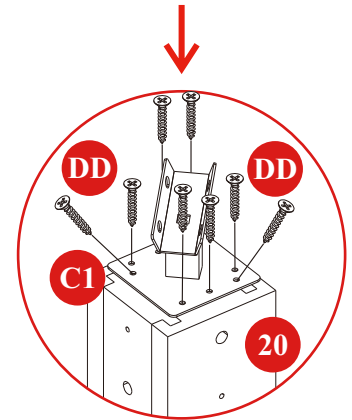


20

x2

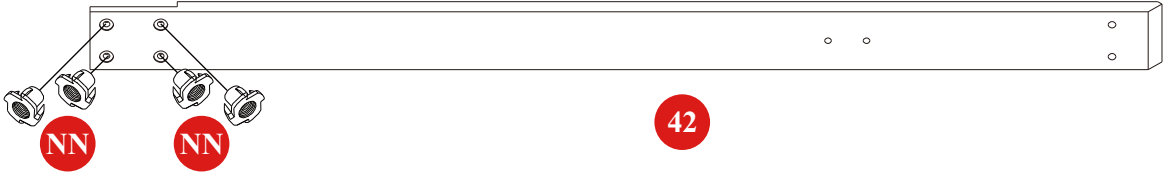
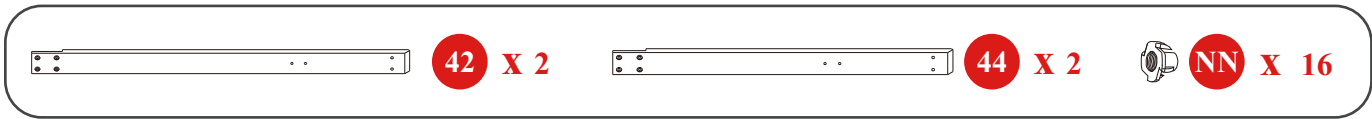


C1 install closer to inner side

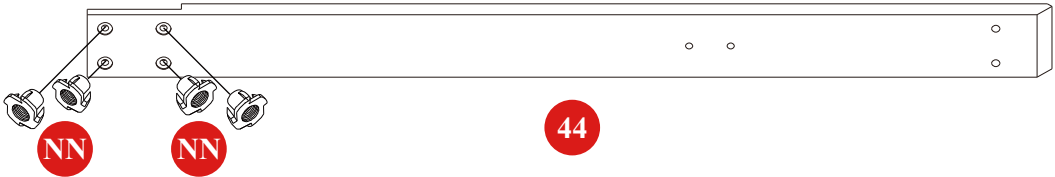


**IMPORTANT:** When installing part C1, ensure the bracket shape is pointing inward on 4 posts, as this orientation is required for subsequent assembly steps.

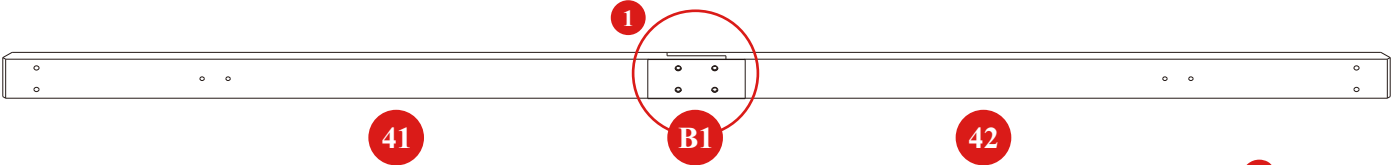
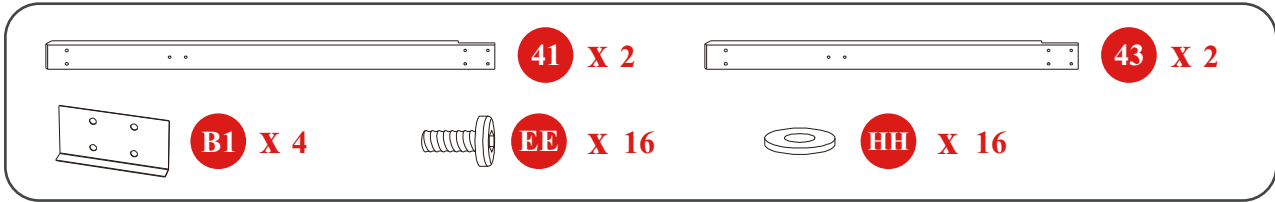
3



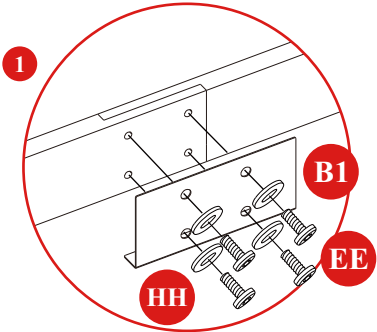
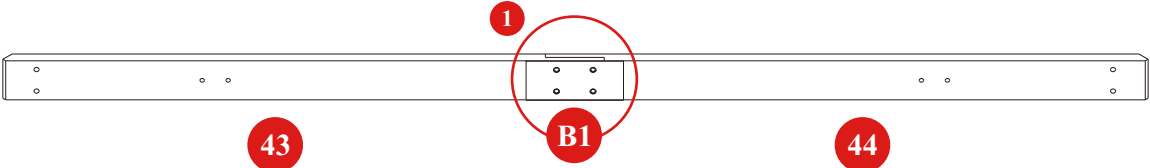
x2



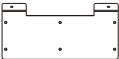
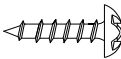
4

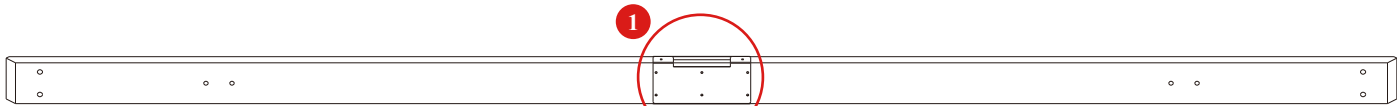


x2



5

 **B3** X 4       **SS** X 32



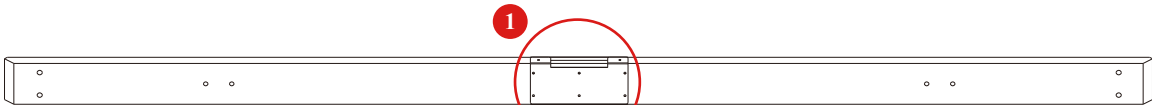
42

1

B3

41

x2

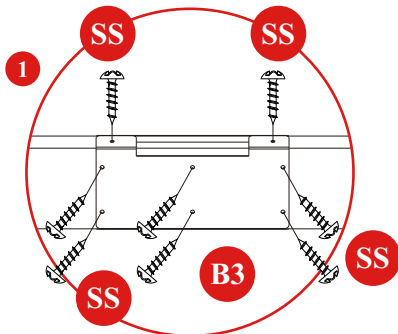


1

44

B3

43



1

SS

SS

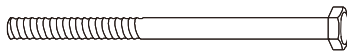
SS

B3

SS



**B2** X 4



**AA** X 4



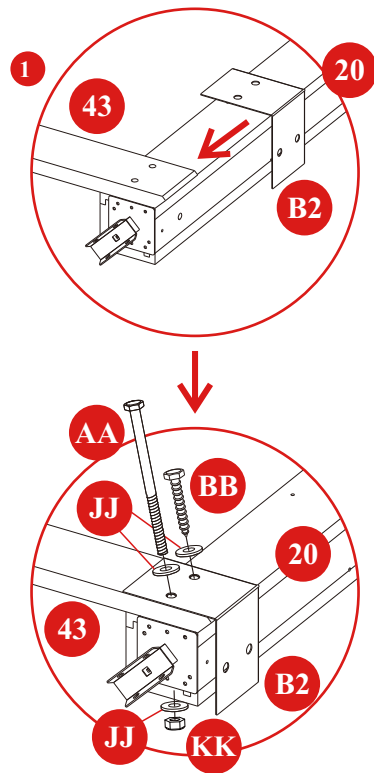
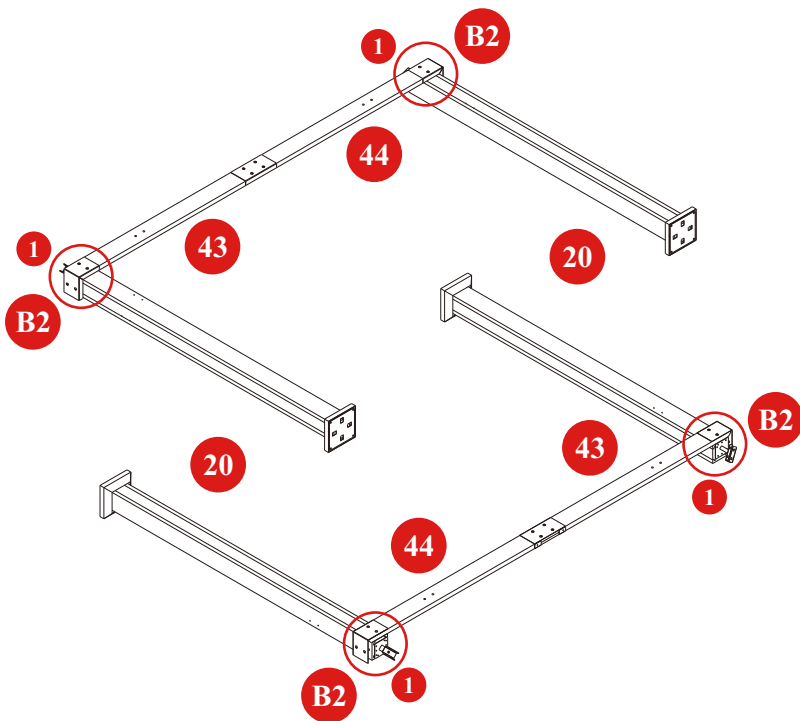
**BB** X 4



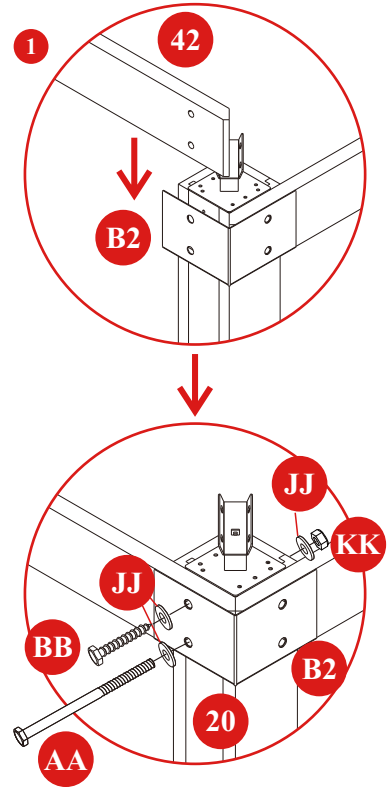
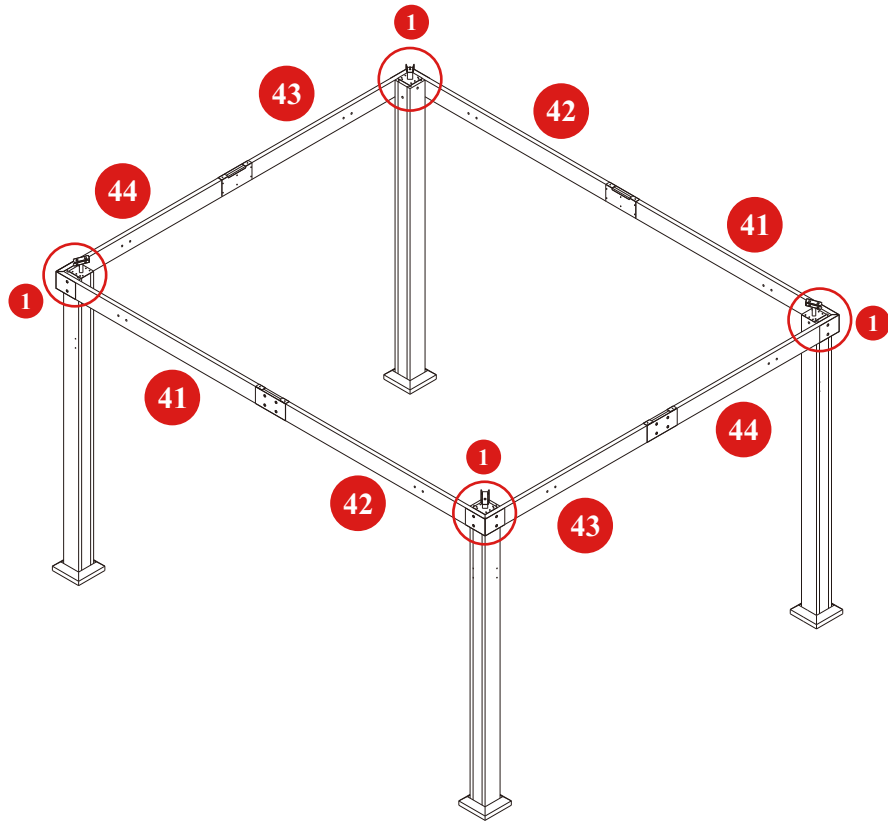
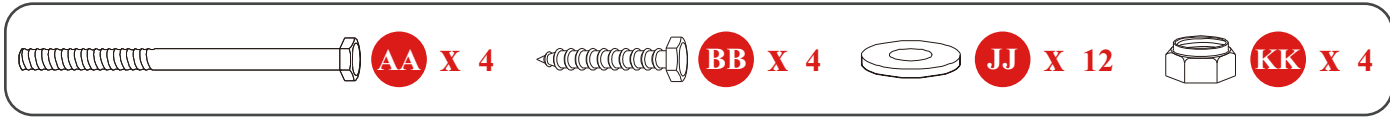
**JJ** X 12

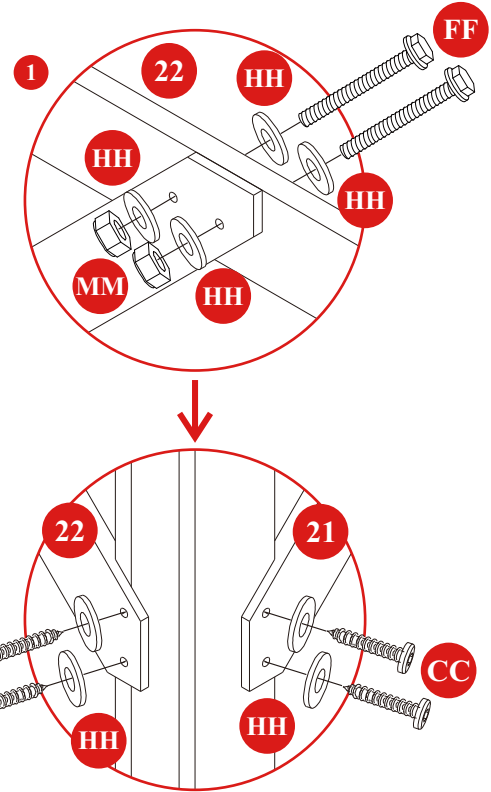
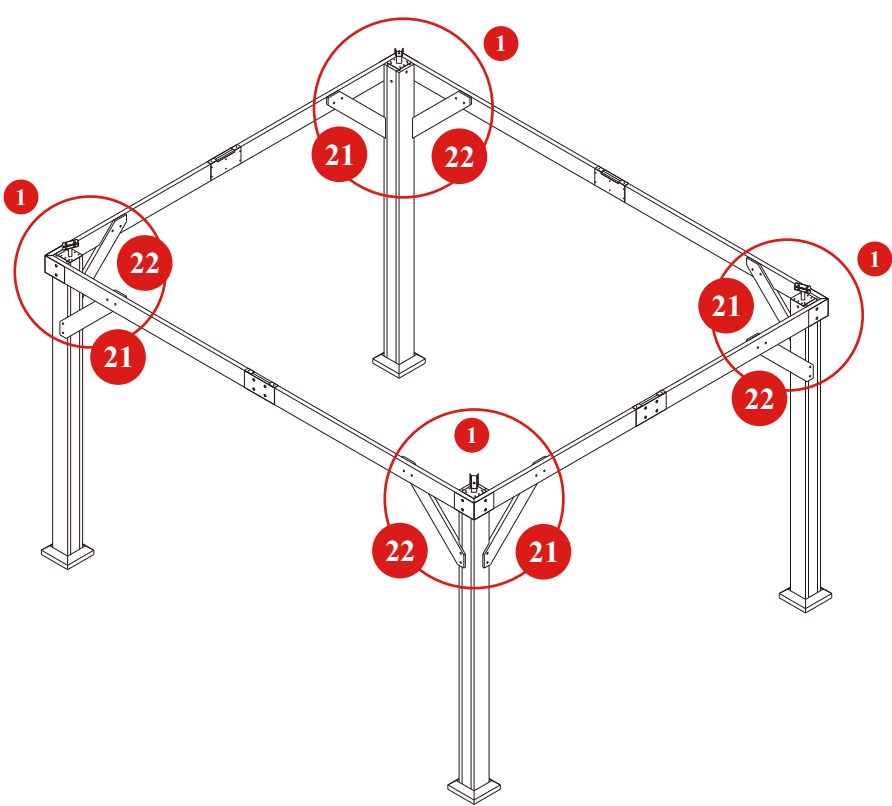
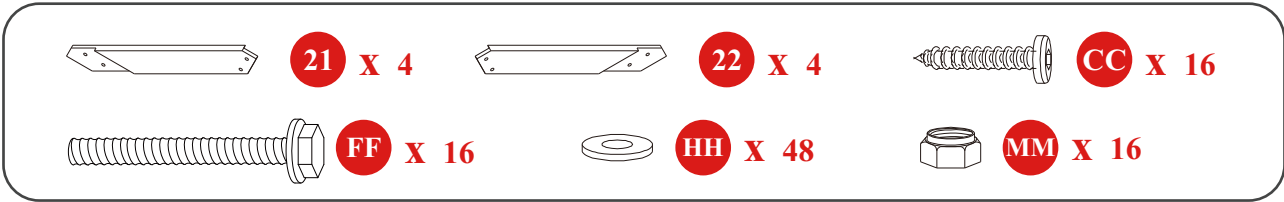


**KK** X 4

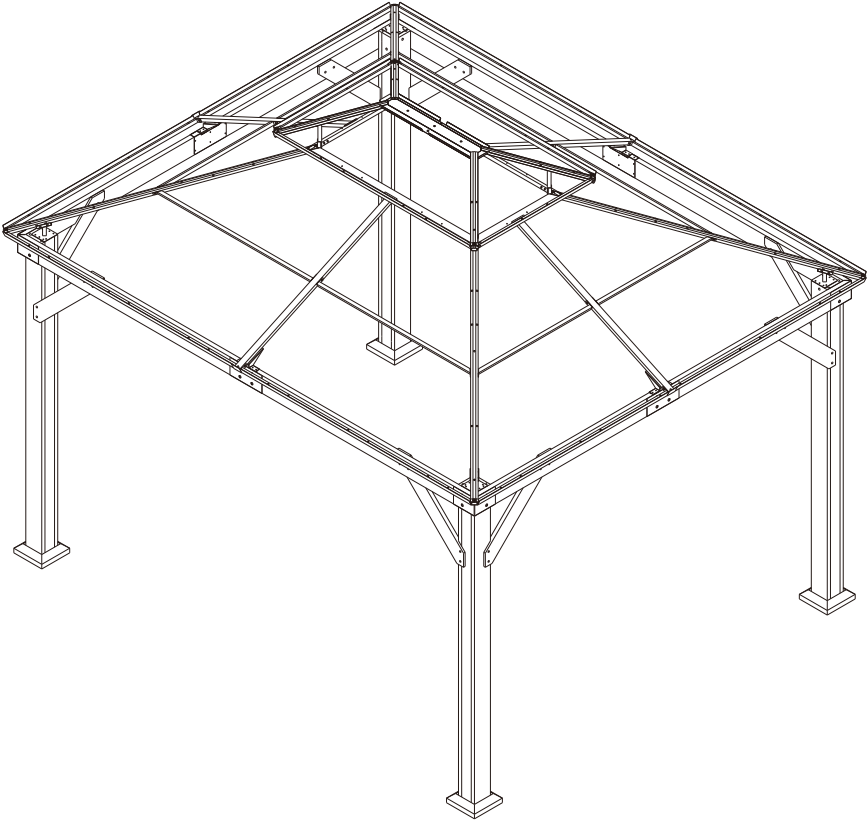


7

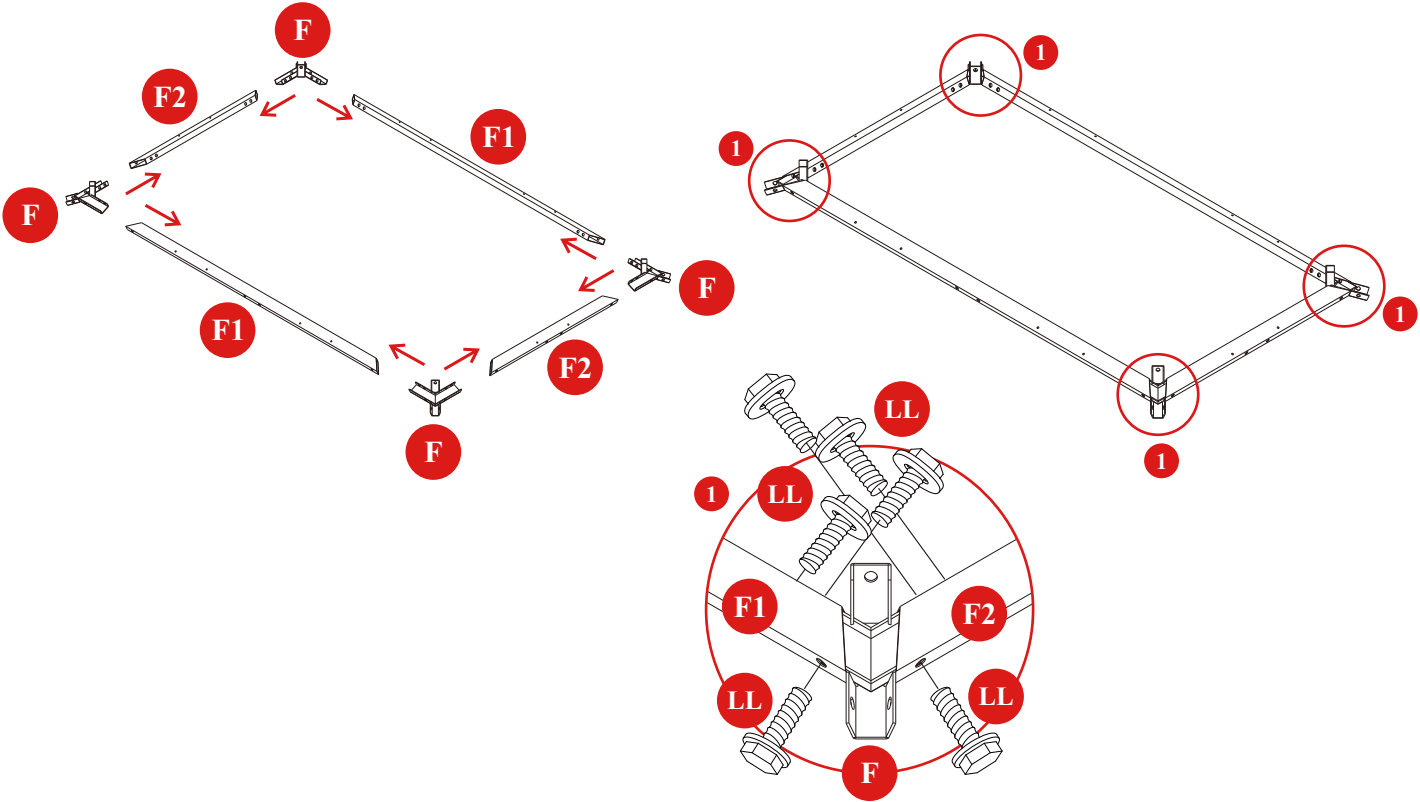
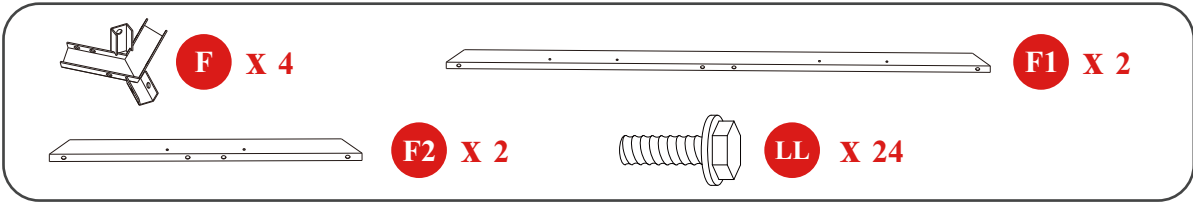




# Part 4



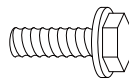
9



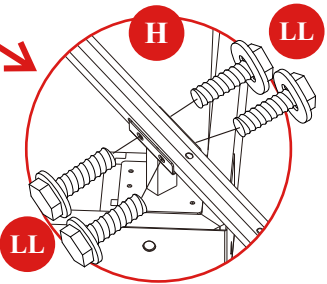
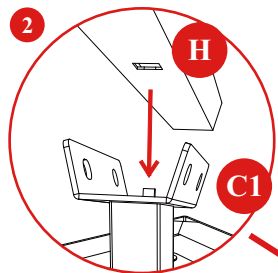
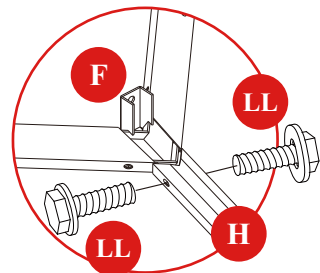
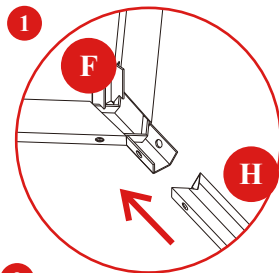
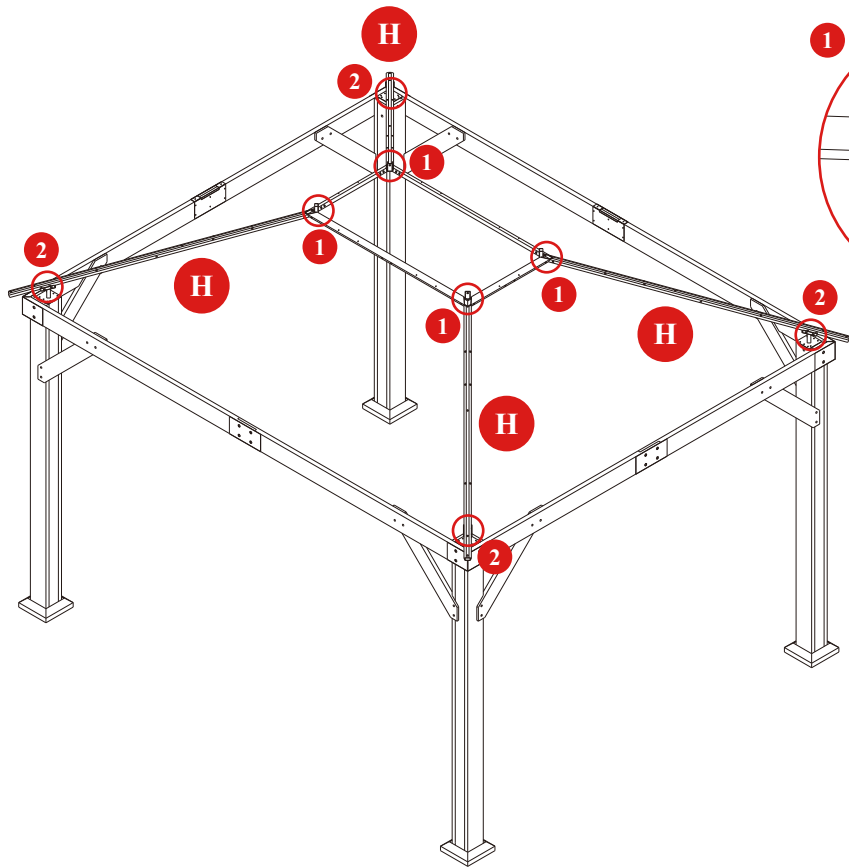
10



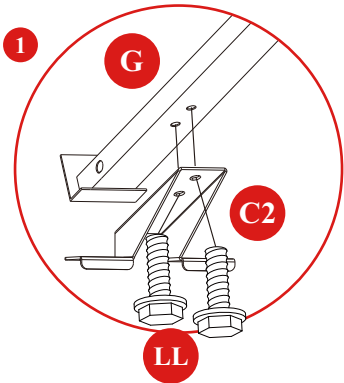
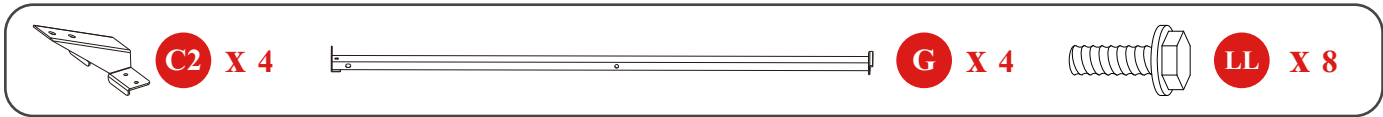
**H** X 4



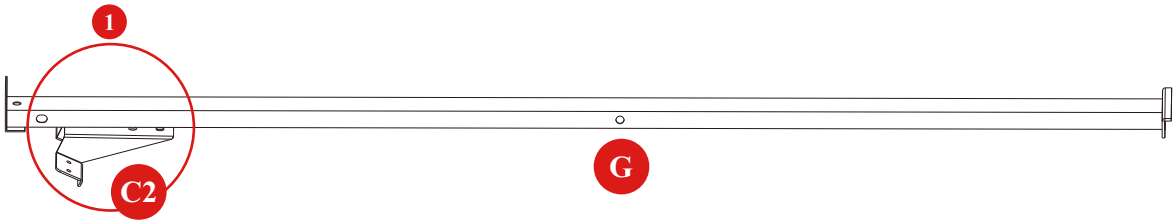
**LL** X 24



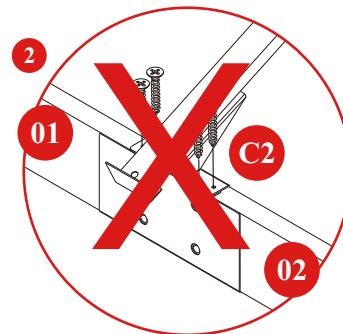
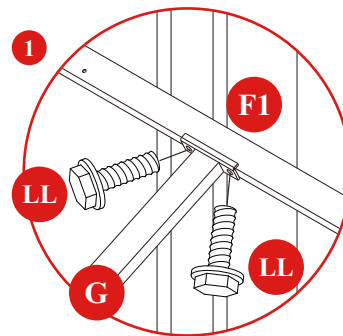
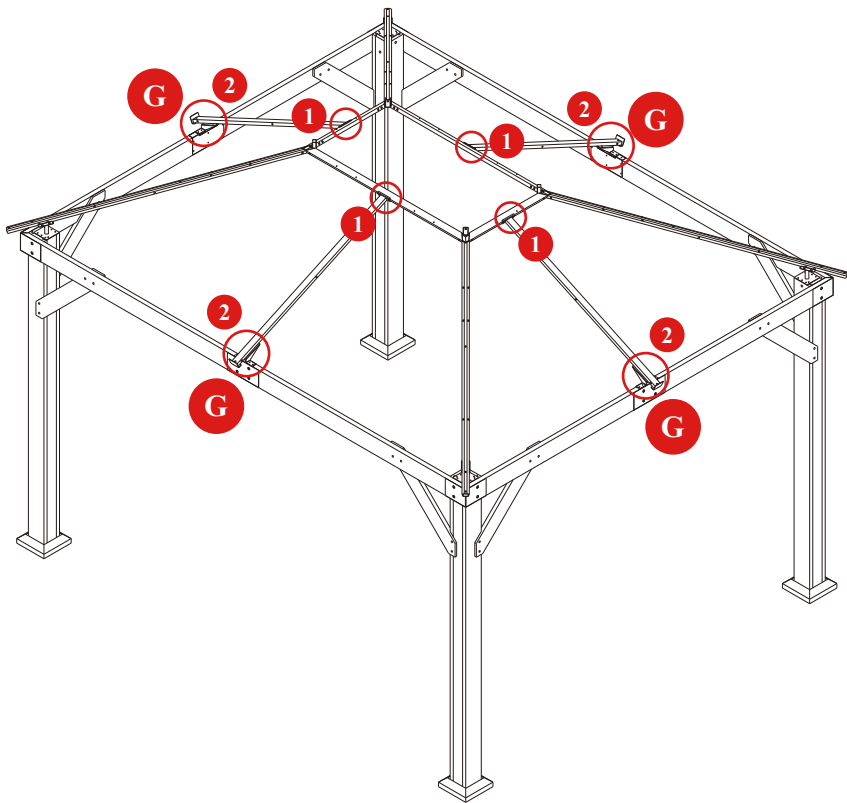
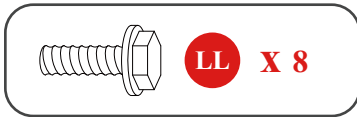
11



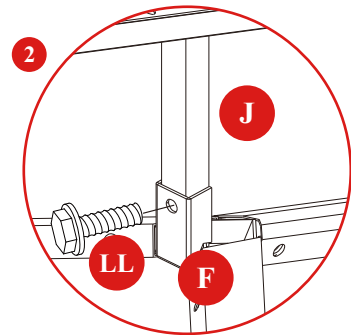
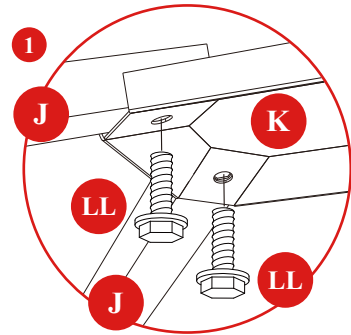
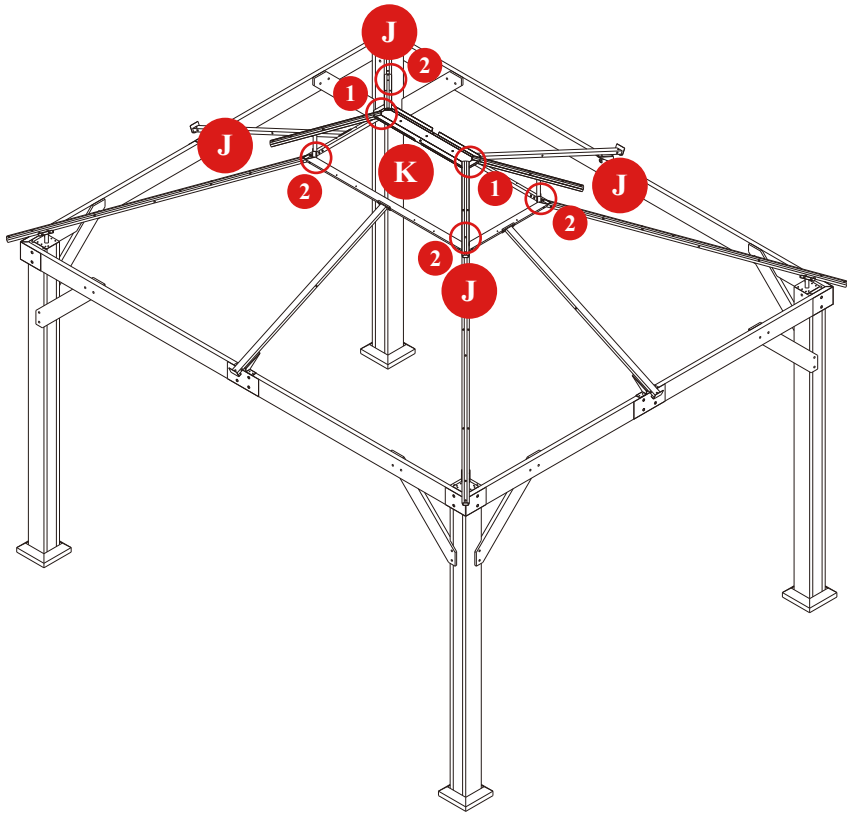
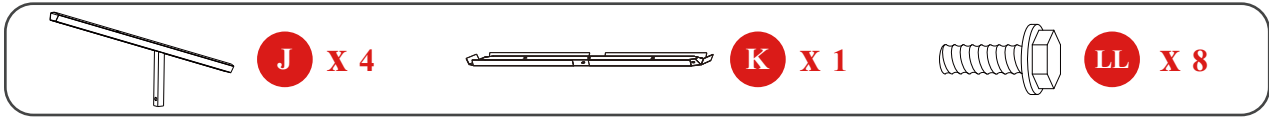
x4



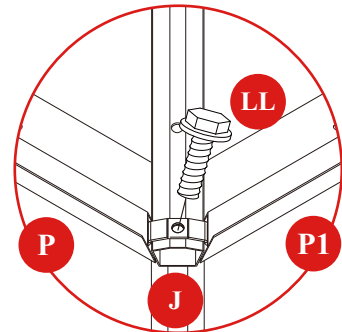
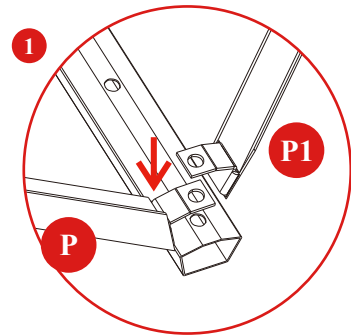
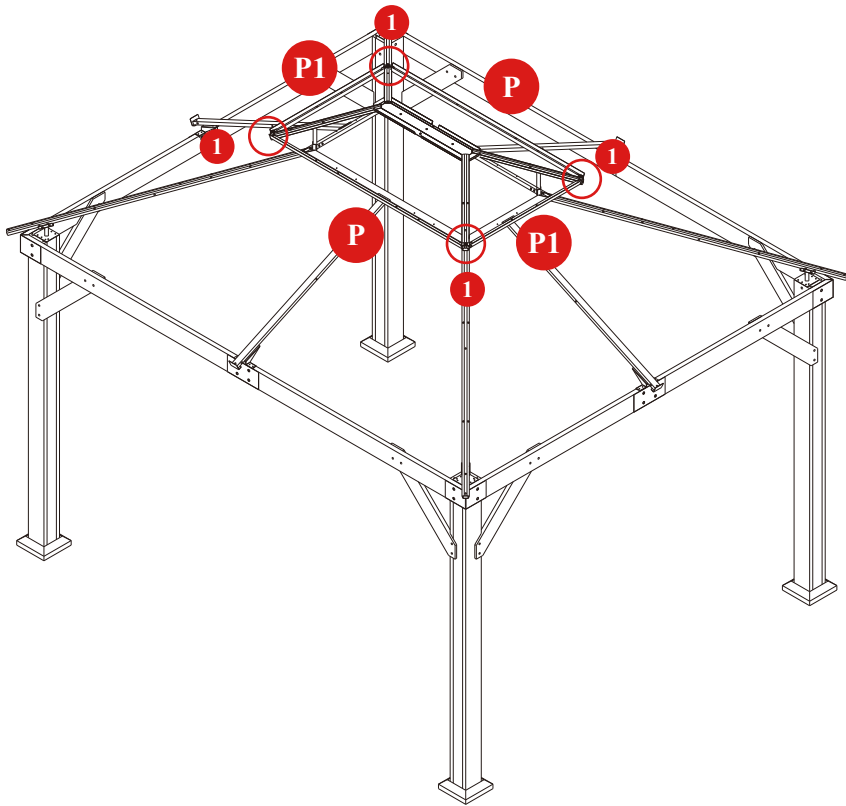
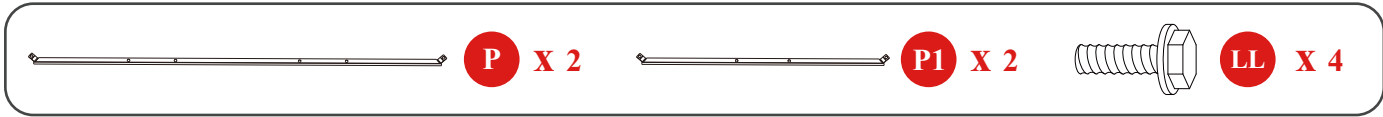
12

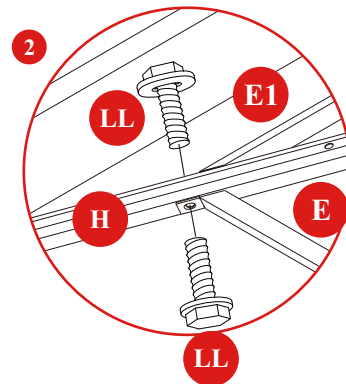
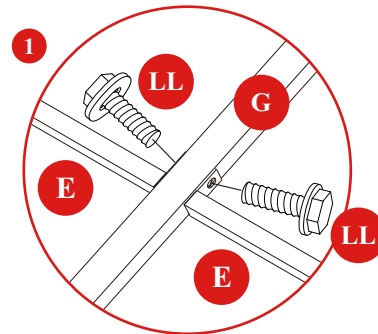
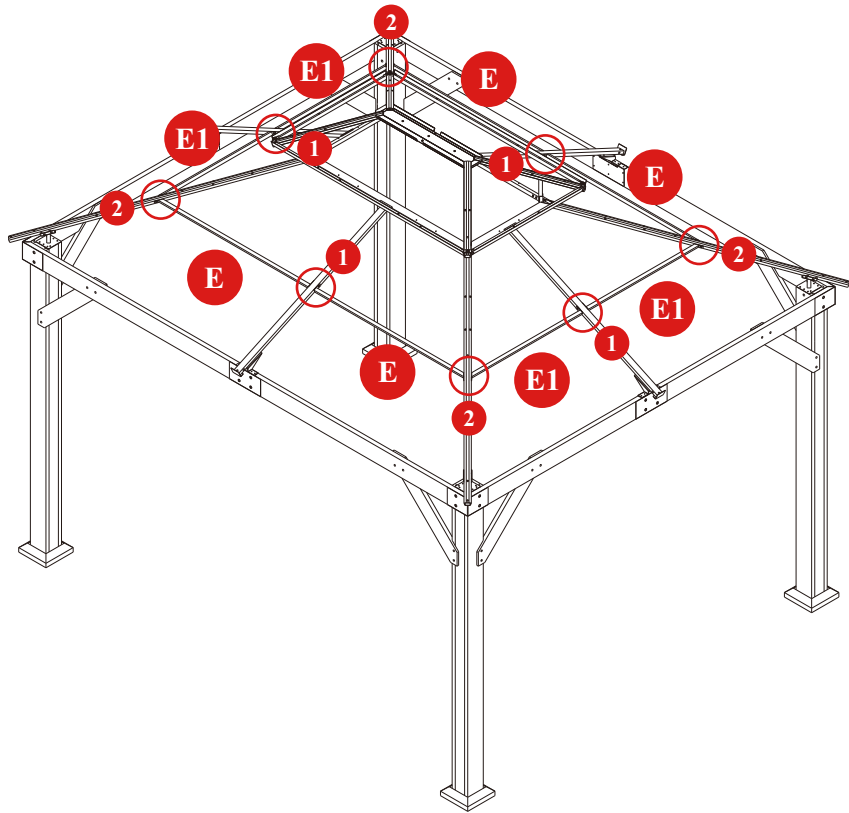
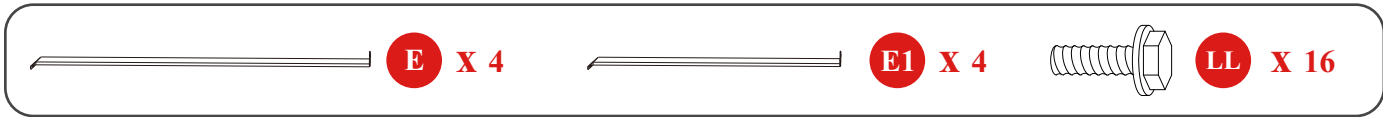


13

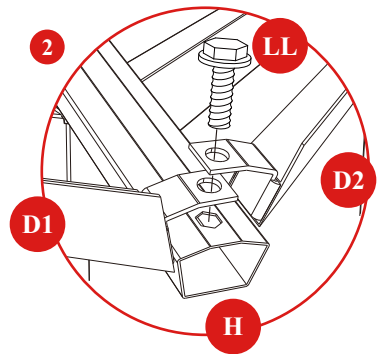
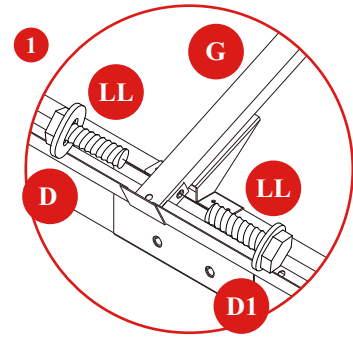
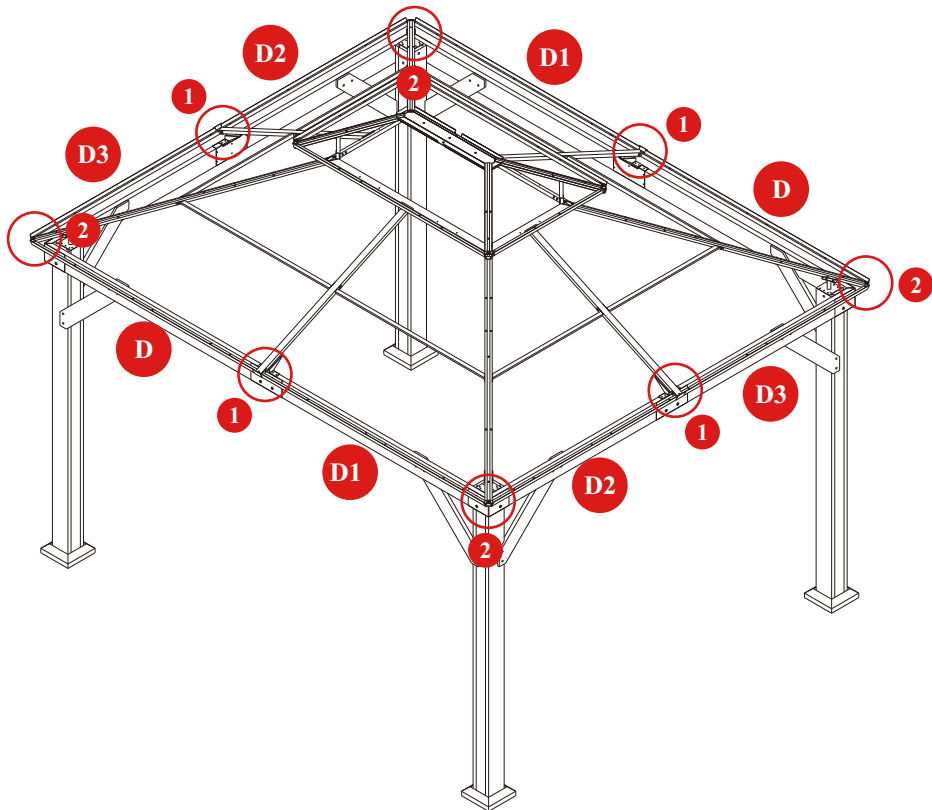
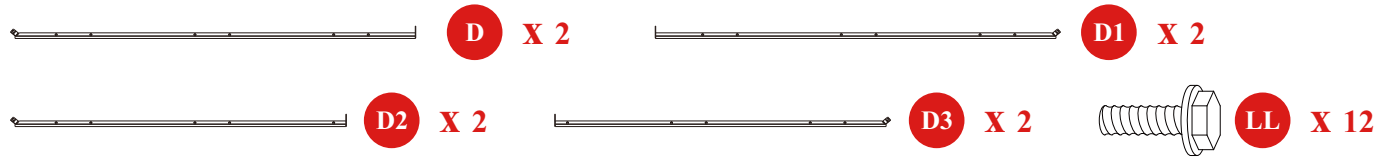


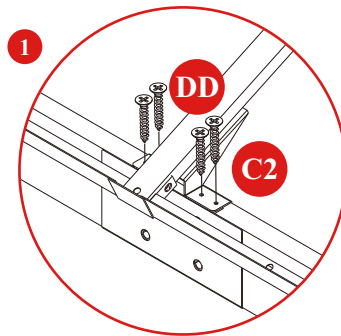
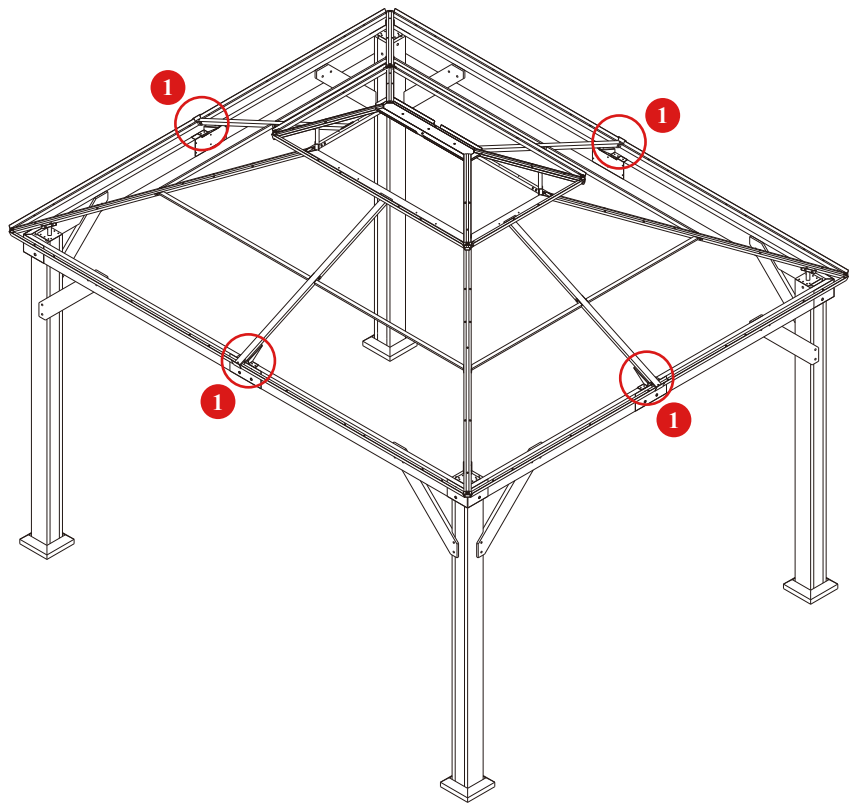
14



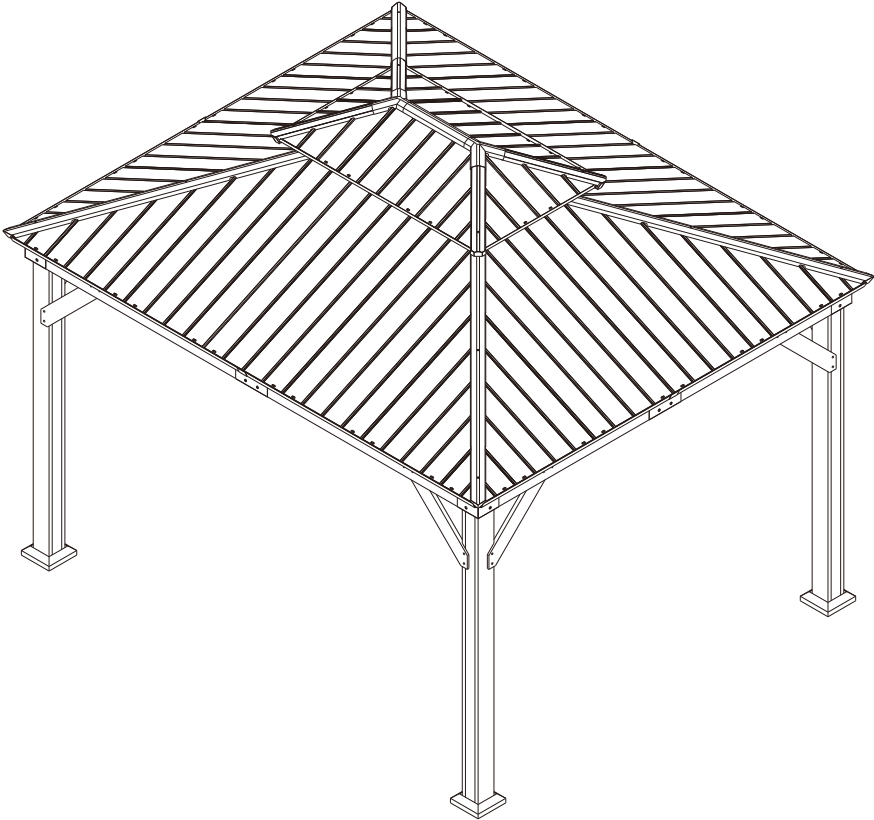


16

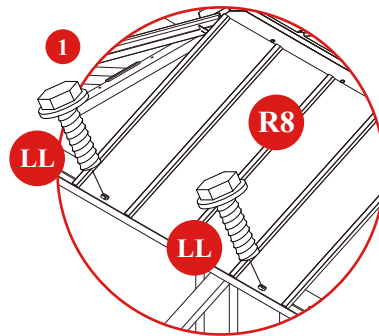
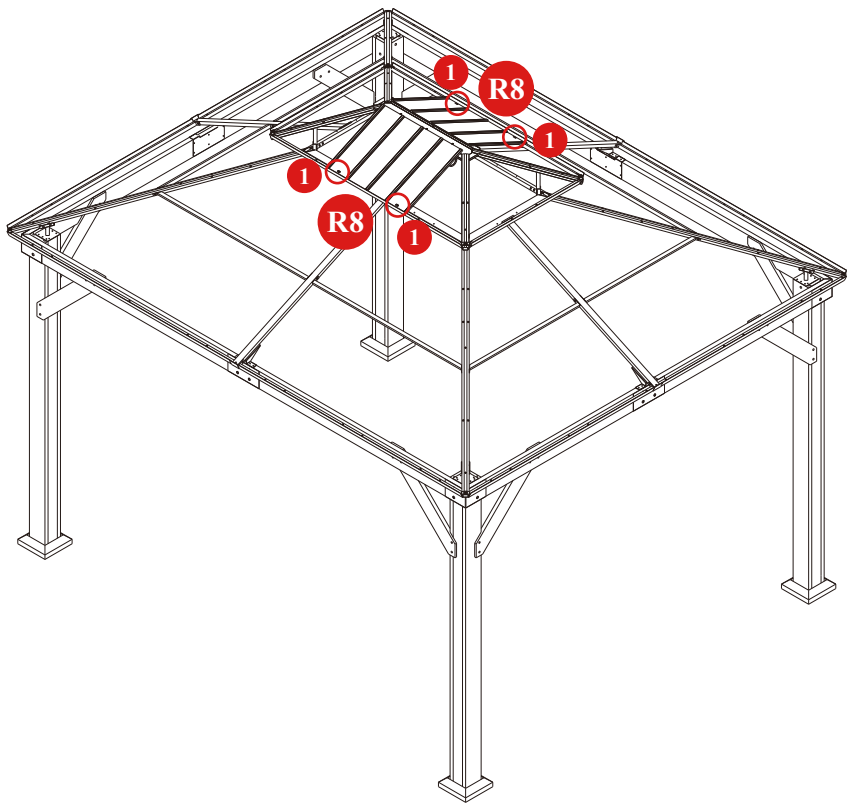


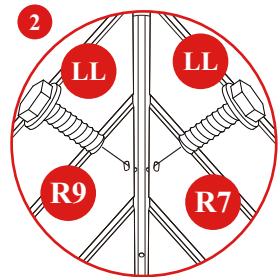
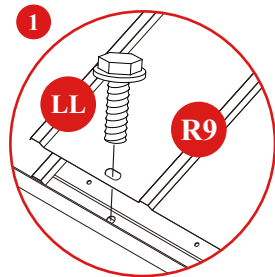
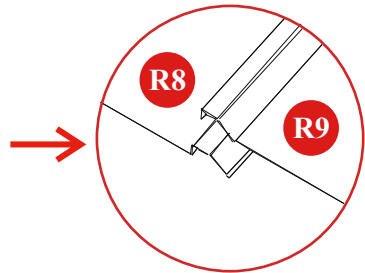
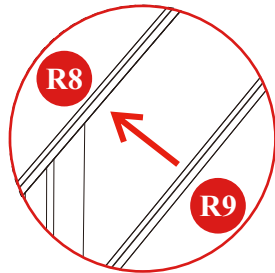
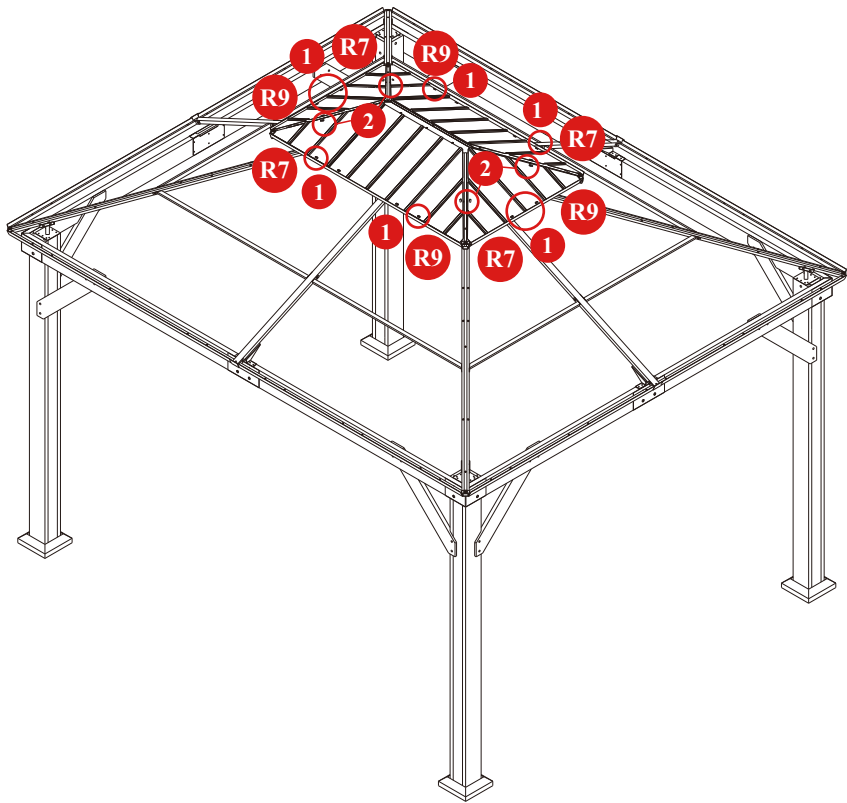


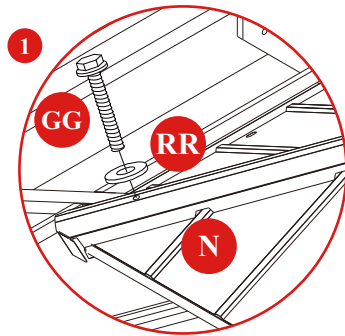
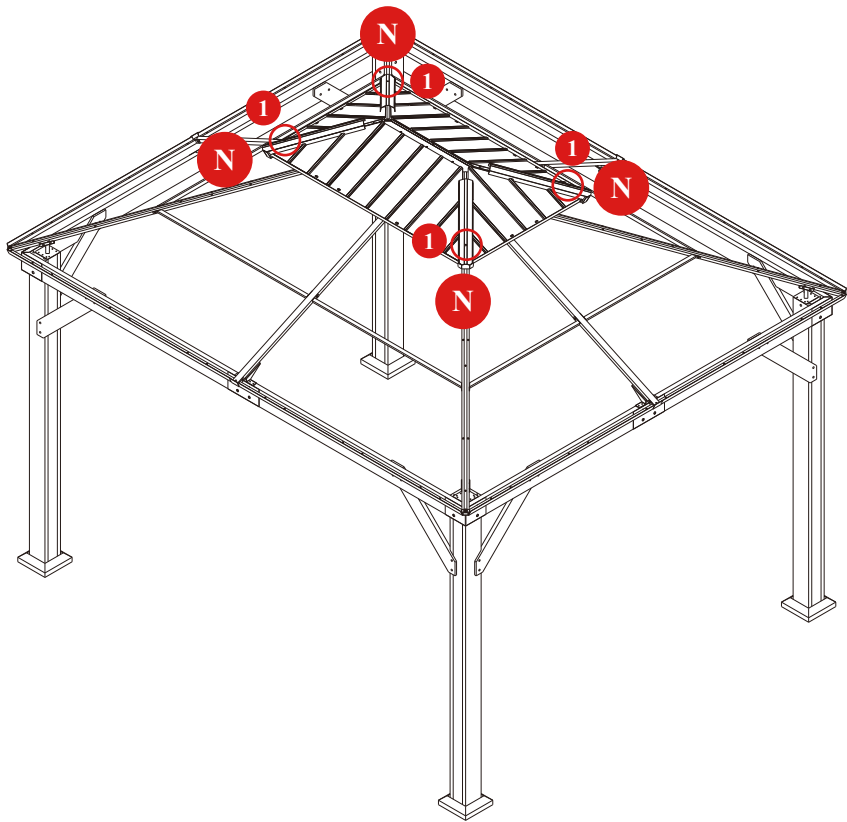
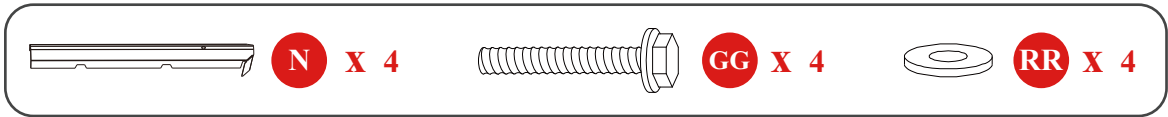
# Part 5



18







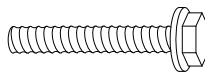
21



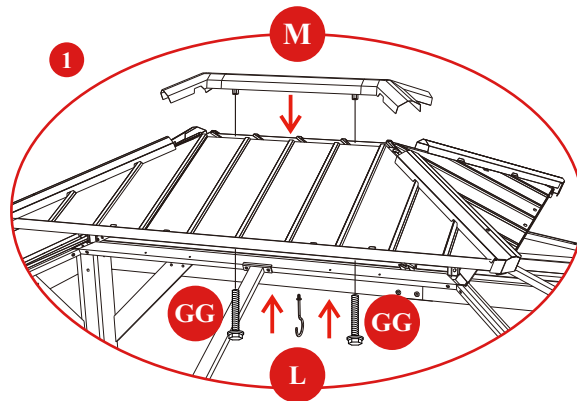
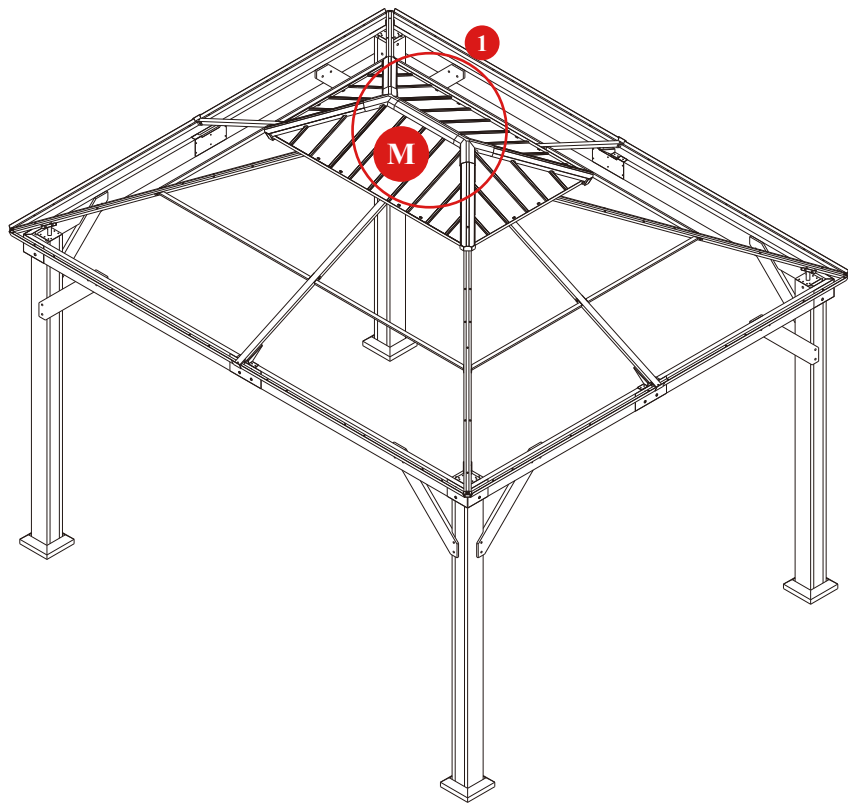
M X 1

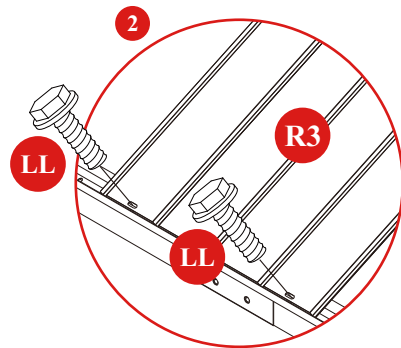
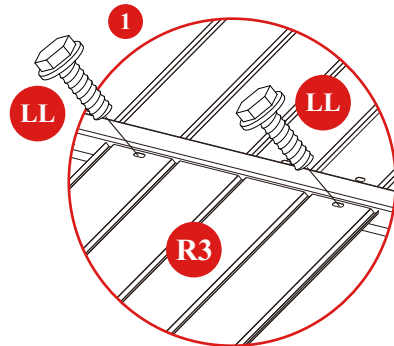
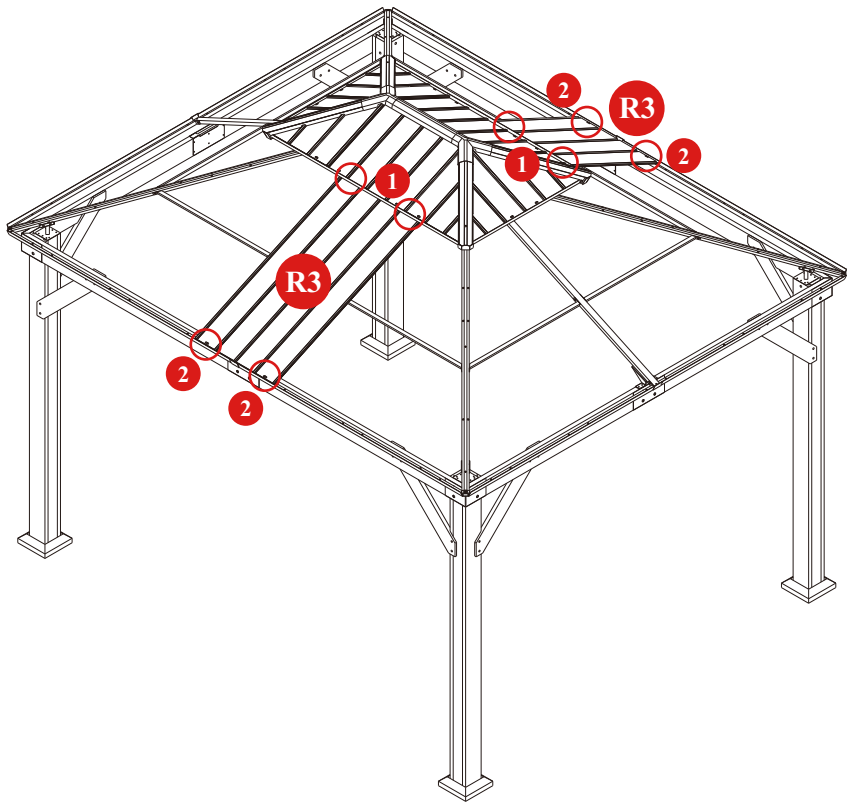


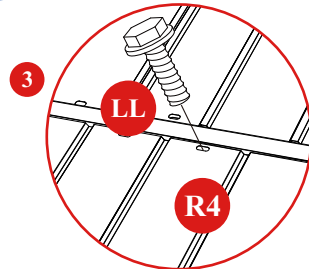
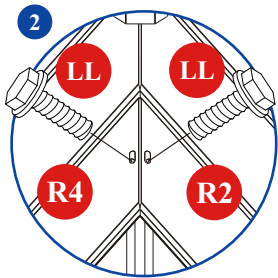
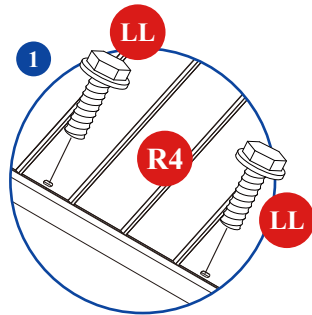
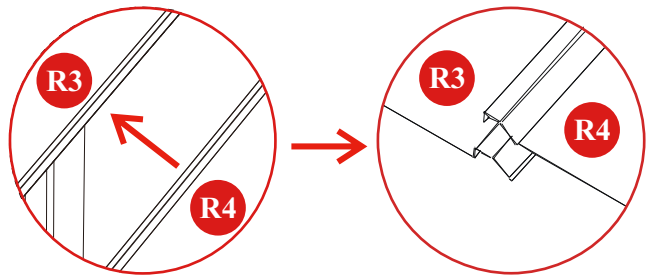
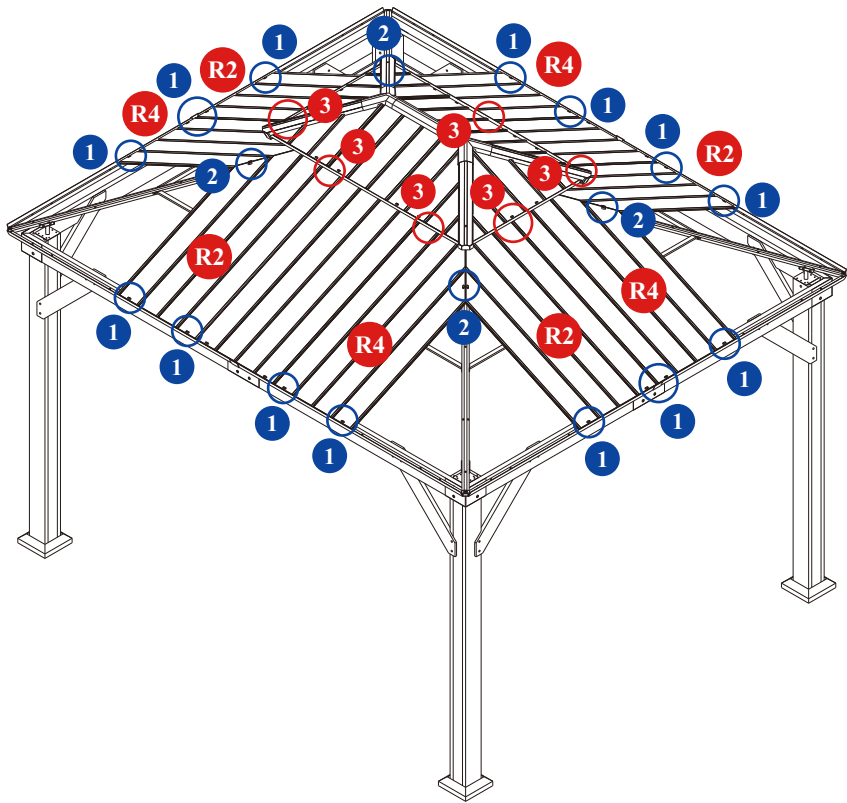
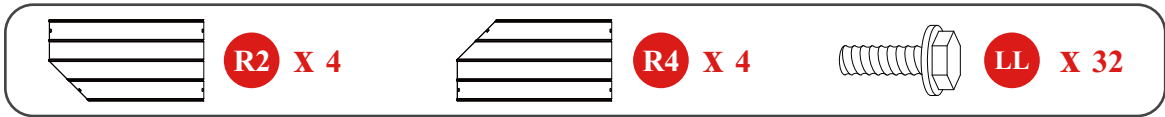
L X 1

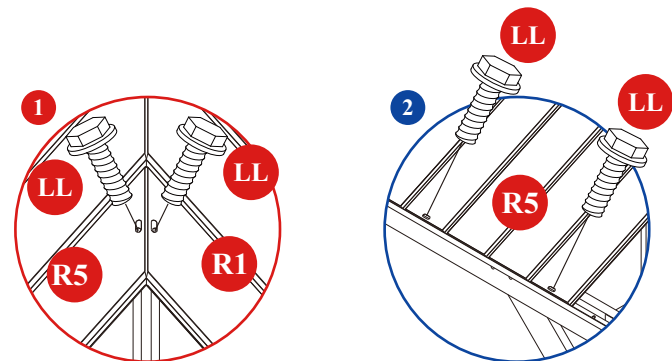
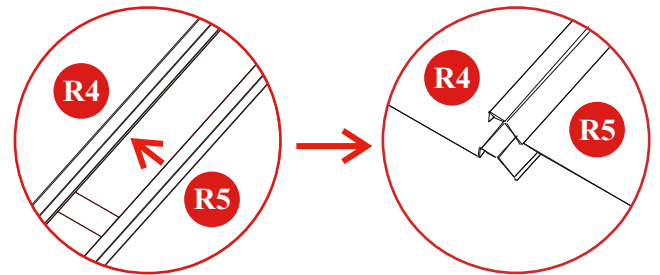
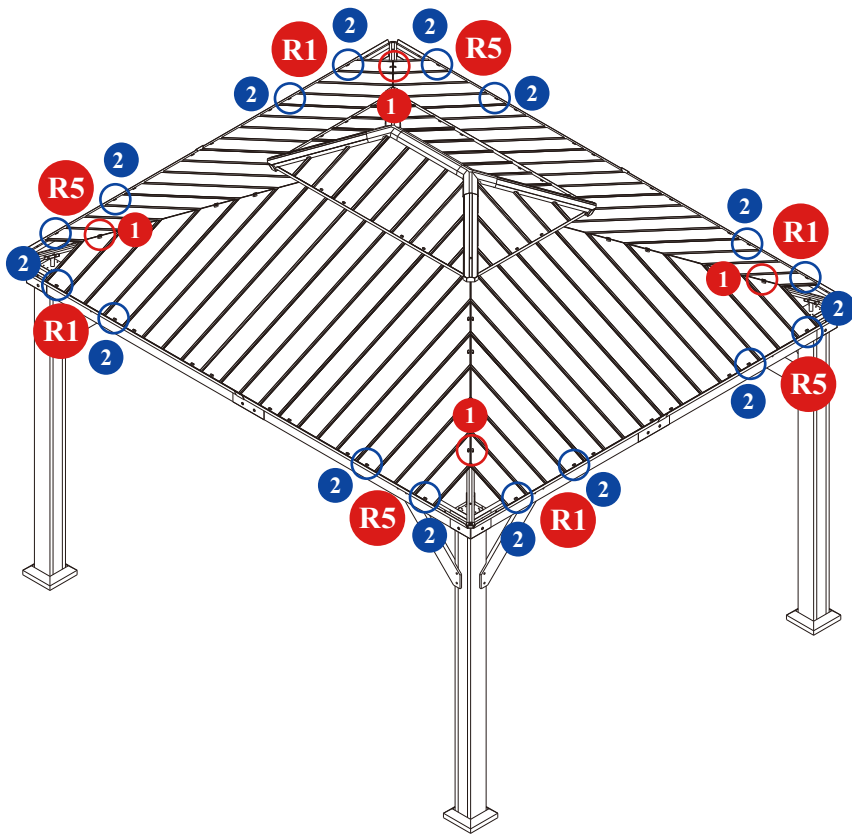
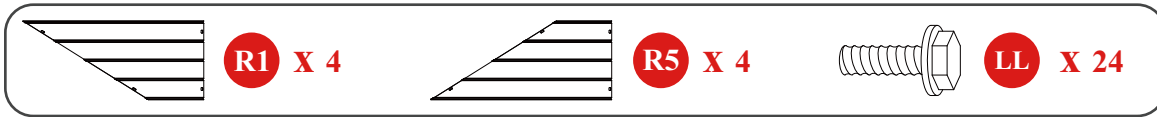


GG X 2









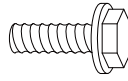
25



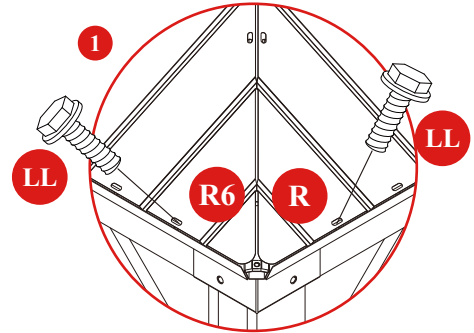
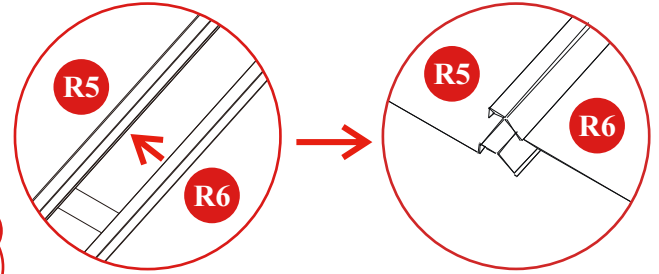
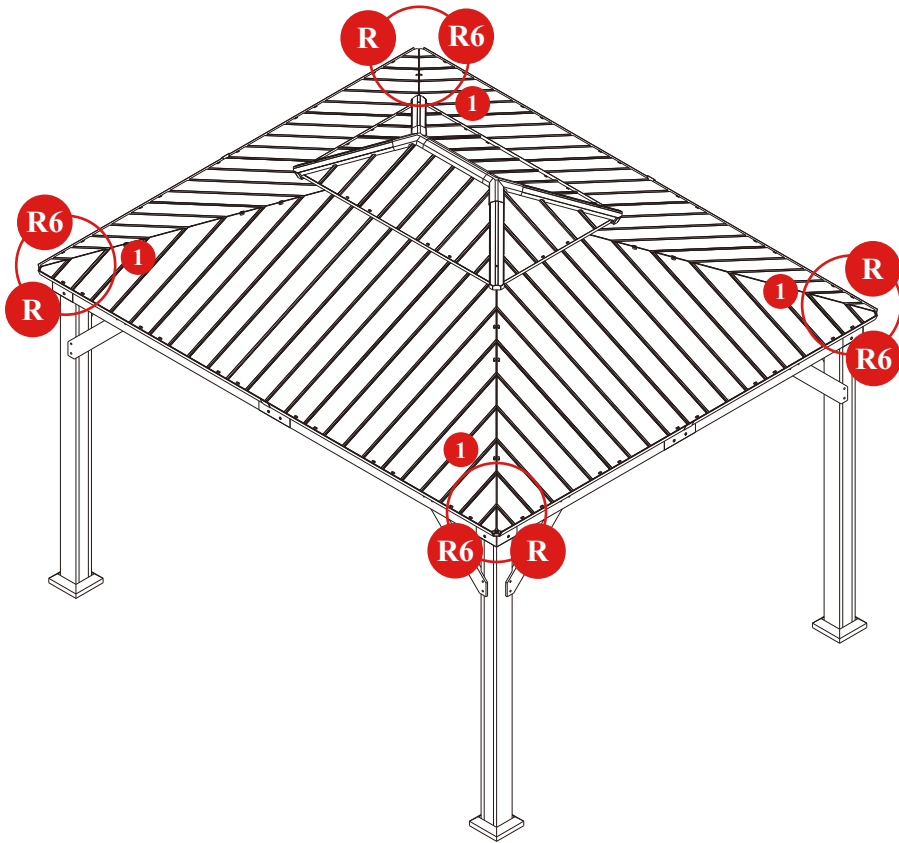
R X 4

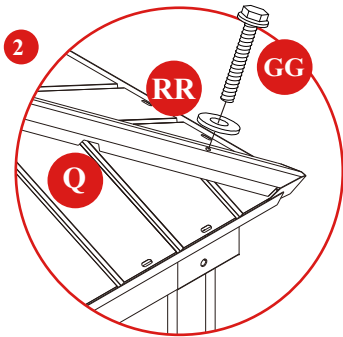
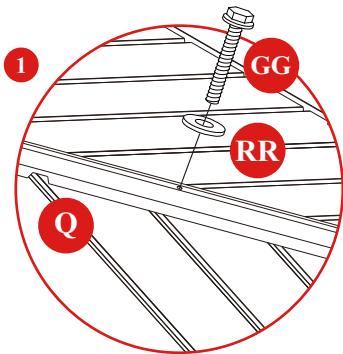
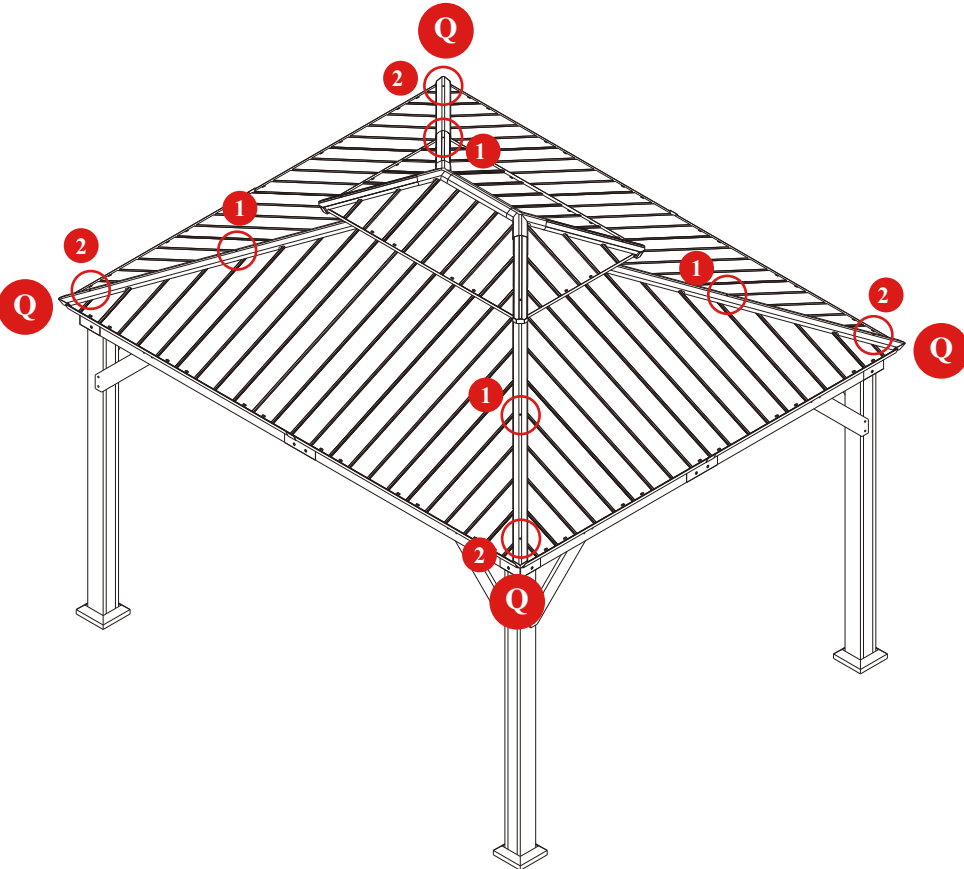


R6 X 4

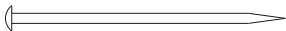


LL X 8

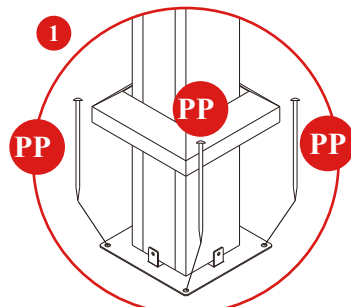
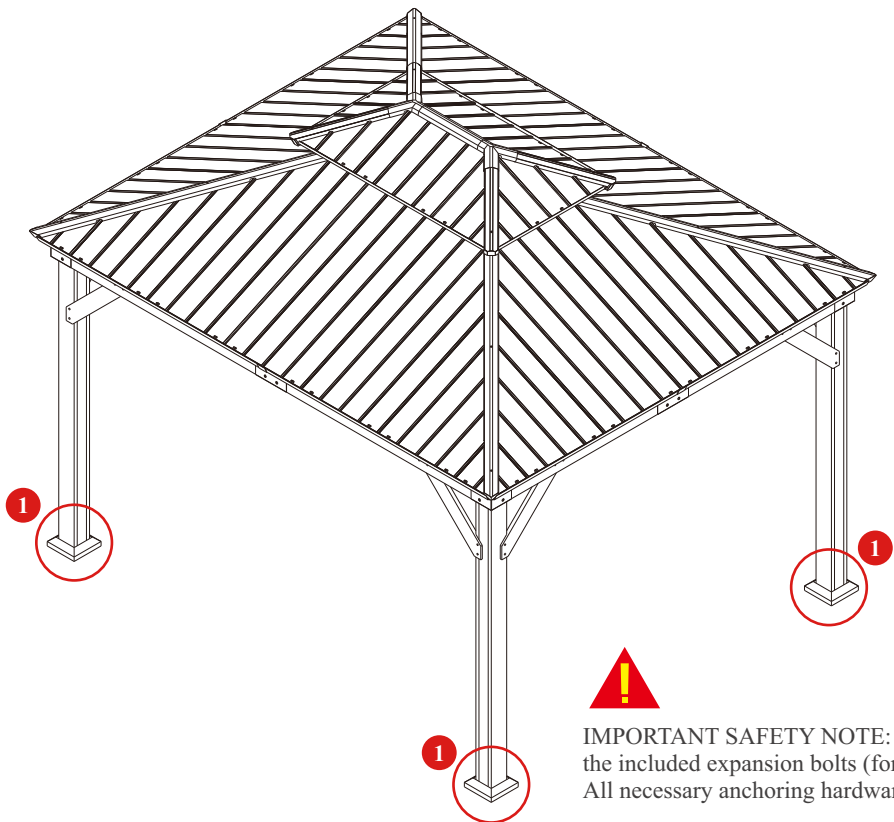




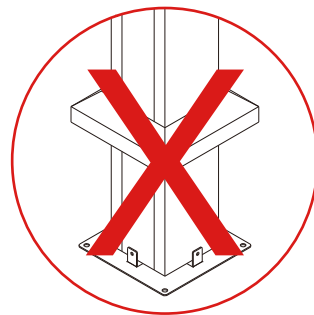
27



PP X 16



Cement surfaces



**IMPORTANT SAFETY NOTE:** For your safety and stability, please secure the structure using the included expansion bolts (for concrete surfaces) or ground stakes (for grass areas). All necessary anchoring hardware is provided in your package.

# ■ HELP CENTER

## QUALITY COMMITMENT & RETURN POLICY

We stand confidently behind our furniture quality. If you experience any concerns with your purchase, please contact our customer service team before initiating a return.

We're committed to finding a solution that ensures your satisfaction.

**Important:** Please retain original packaging until assembly is complete and you're satisfied with the product quality.

### Return Period:

- 30-day return window from purchase date
- One-year warranty on all purchases

### Return Shipping Coverage:

#### We Cover Shipping When:

1. Manufacturing defects are present (e.g., damaged materials, misaligned parts)
2. Items arrive damaged during transit
3. Incorrect items shipped due to warehouse error
4. Partial order loss during shipping

#### Customer Covers Shipping When:

1. Change of mind after delivery
2. Product no longer needed
3. Ordering mistake
4. Failed cancellation attempts after delivery

**Note:** Our customer service team is here to help find the best solution for your situation. Please contact us to discuss your concerns before proceeding with a return.

**All returns require photo documentation for processing.**

### Contact us at

✉ [services@tier1home.com](mailto:services@tier1home.com)

## RETURN REQUEST GUIDELINES

### Requirements for Full Refund:

#### 1. Item Condition

- Must be brand new/unused
- Photos required before and after packaging

#### 2. Packaging

- All accessories and parts must be included
- Use original packaging materials
- Secure packing required

#### Refund Process:

- Refund issued after items arrive at our warehouse
- Incomplete/improper returns may result in partial refund

### Beyond Return Period:

If your product shows damage or defects outside the standard return window, please email us.

We value your satisfaction and will work with you to find an appropriate solution.

**Note:** Our goal is your complete satisfaction as our customer.