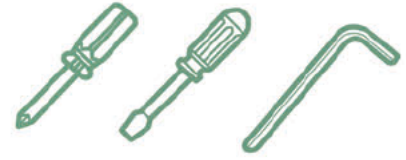


TOOLS:



UNIT:MM

|                 |                 |                |                |                |                |                |                |
|-----------------|-----------------|----------------|----------------|----------------|----------------|----------------|----------------|
| 1               | 2               | 3              | 4              | 5              | 6              | 7              | 8              |
|                 |                 |                |                |                |                |                |                |
| 1200 × 395 × 12 | 1190 × 395 × 12 | 590 × 365 × 12 | 590 × 365 × 12 | 590 × 365 × 12 | 590 × 365 × 12 | 525 × 305 × 15 | 525 × 305 × 15 |

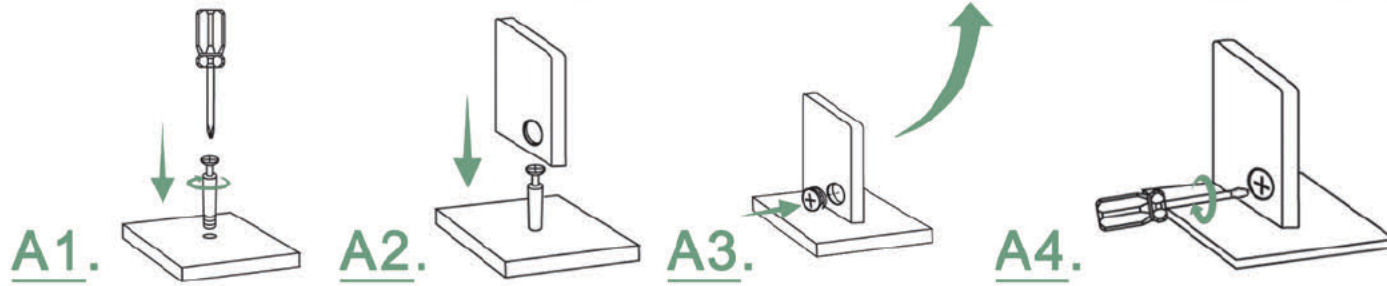
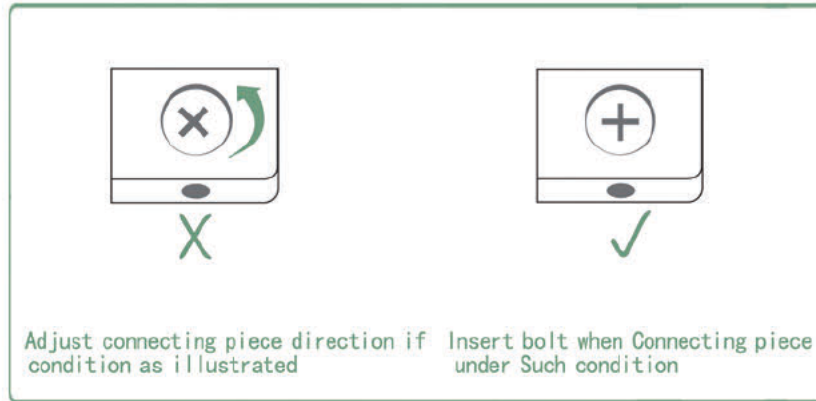
UNIT:MM

|                |               |               |                |               |                |                |                |           |
|----------------|---------------|---------------|----------------|---------------|----------------|----------------|----------------|-----------|
| 9              | 10            | 11            | 12             | 13            | 14             | 15             | 16             | 17        |
|                |               |               |                |               |                |                |                |           |
| 580 × 345 × 12 | 600 × 590 × 3 | 597 × 287 × 3 | 345 × 280 × 12 | 368 × 90 × 12 | 1190 × 90 × 12 | 1190 × 90 × 12 | 1165 × 60 × 15 | 1185 × 25 |

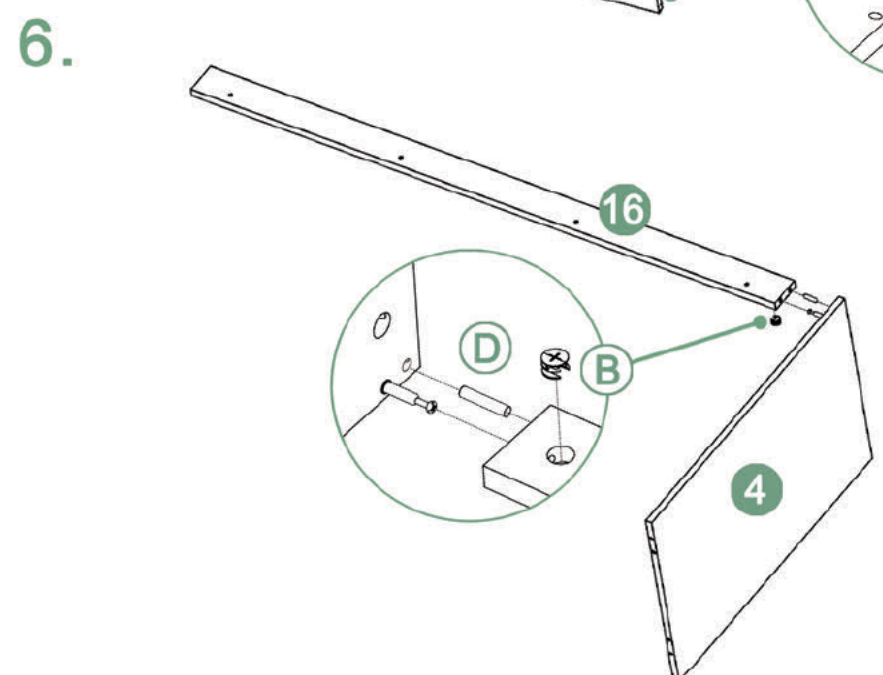
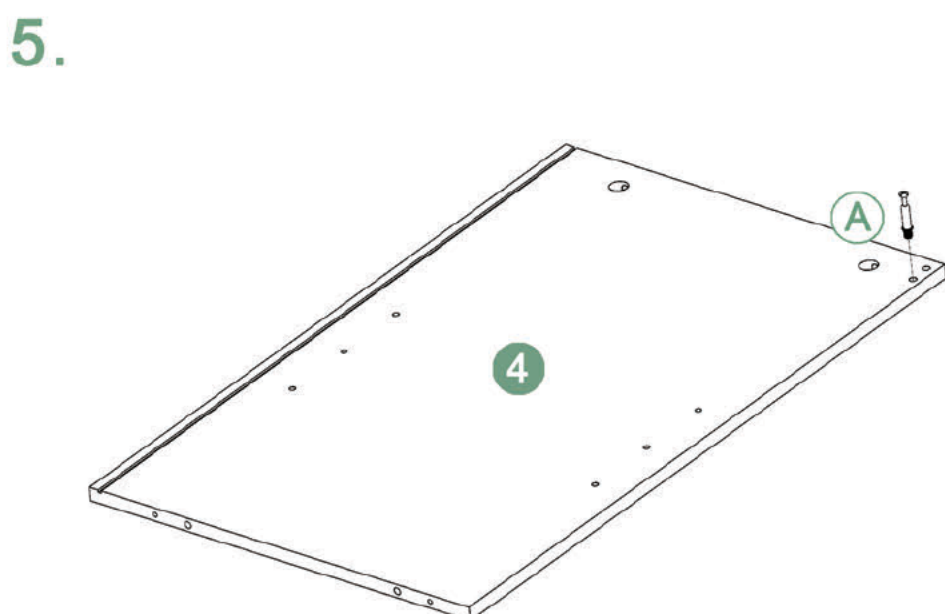
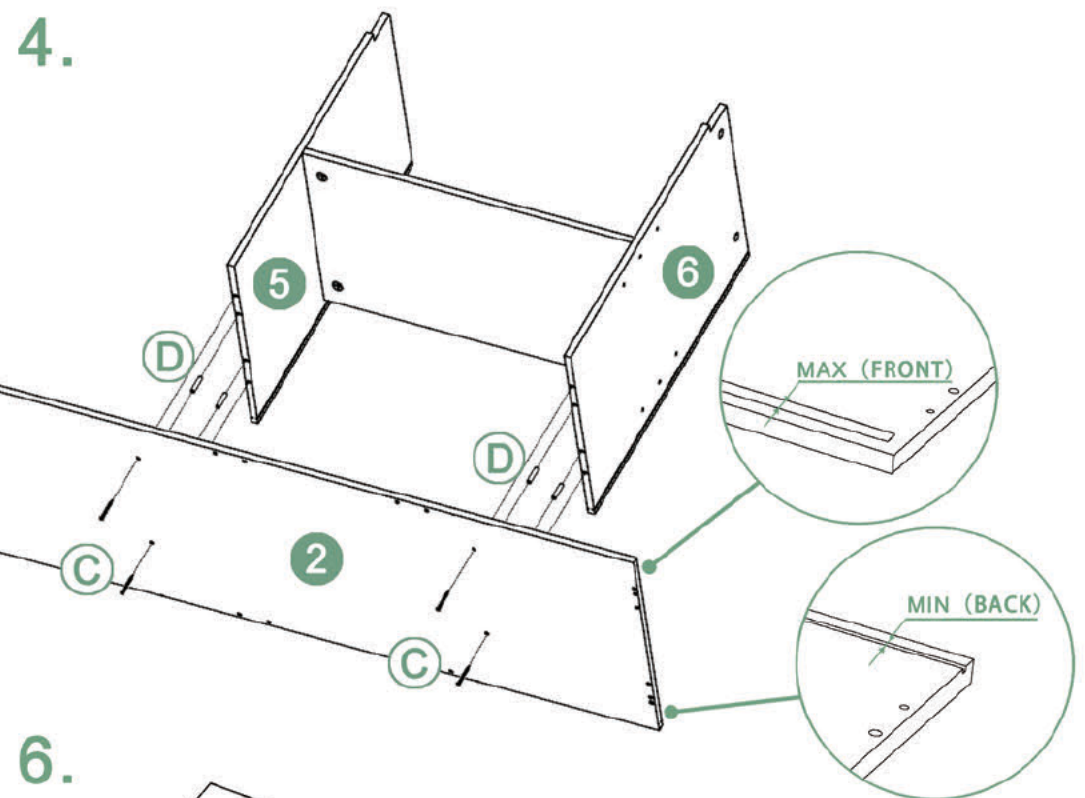
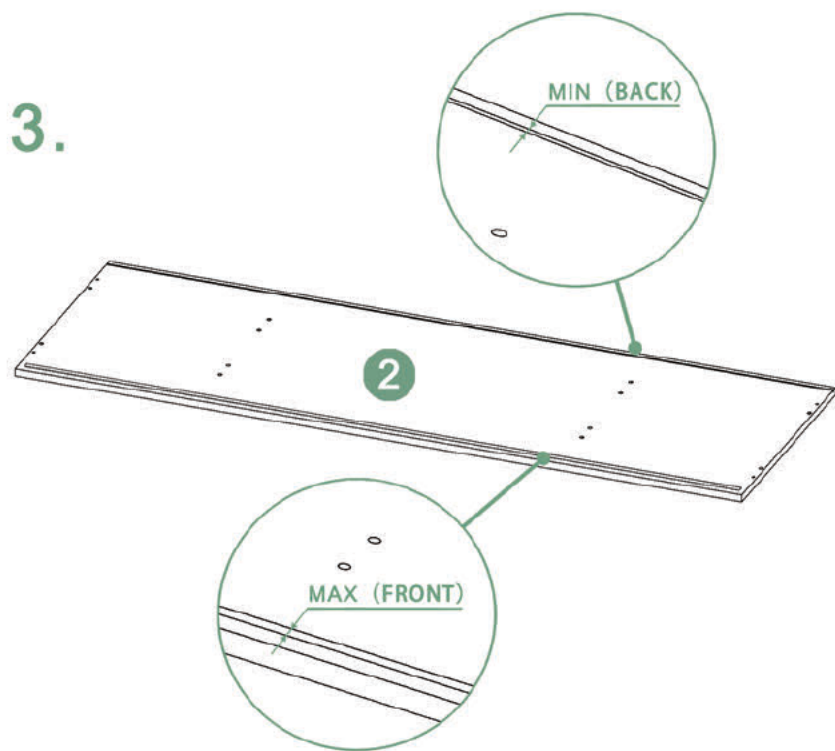
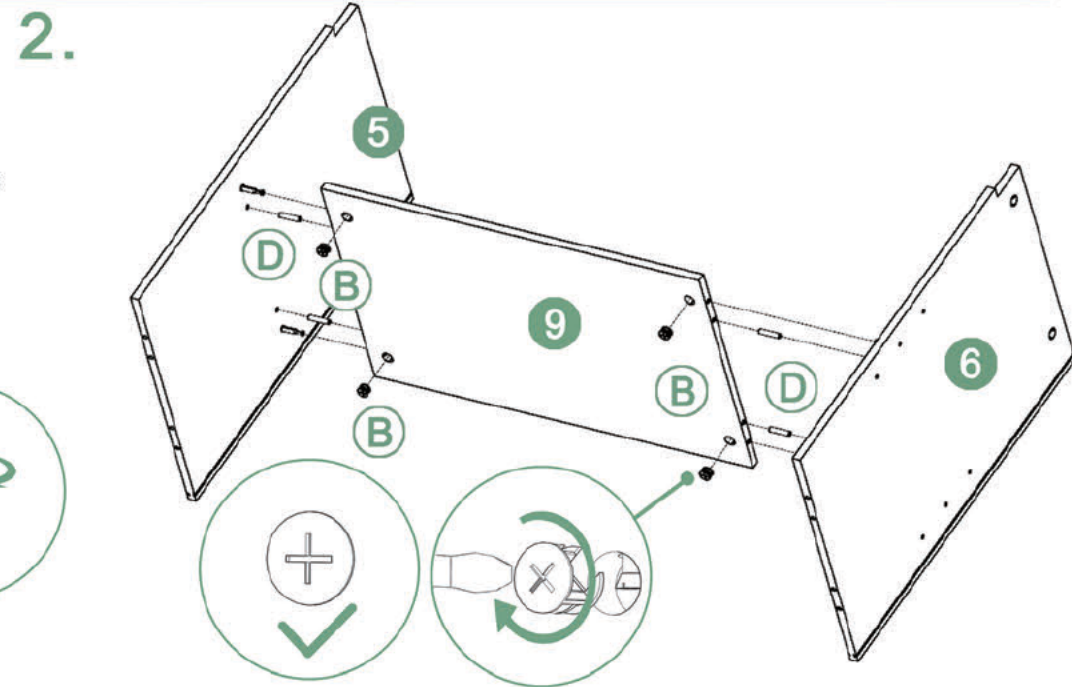
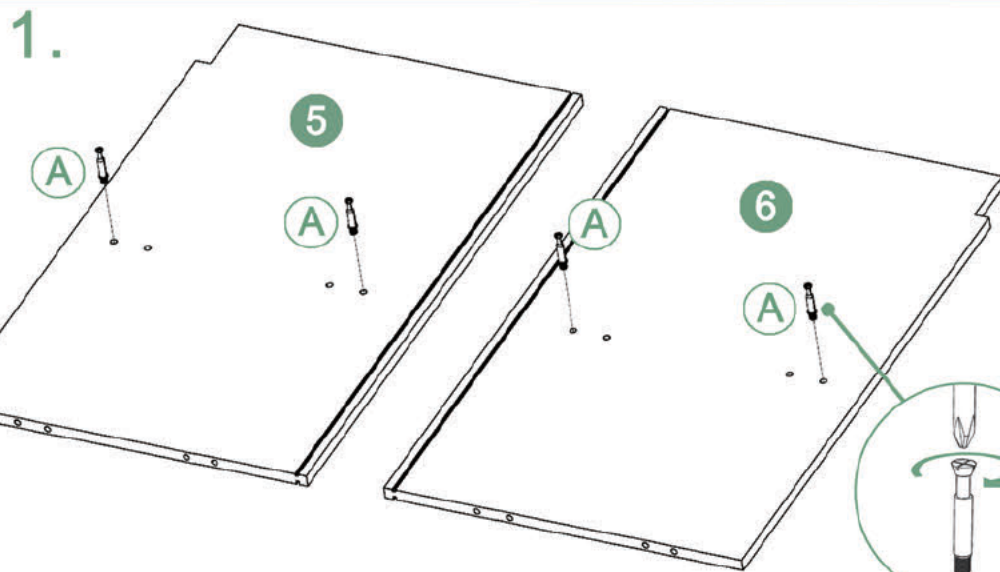
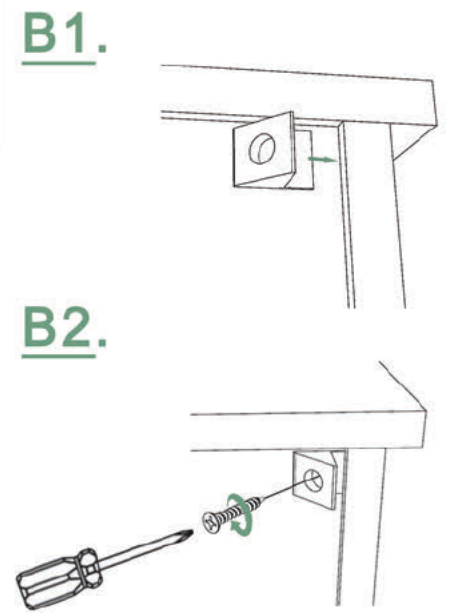
UNIT:MM

|         |          |         |          |     |         |     |          |         |      |         |   |         |
|---------|----------|---------|----------|-----|---------|-----|----------|---------|------|---------|---|---------|
| A       | B        | C       | D        | E   | F       | G   | H        | J       | K    | L       | M | Q       |
| × 28    | × 28     | × 8     | × 36     | × 4 | × 4     | × 4 | × 12     | × 8     | × 14 | × 14    |   | × 8     |
|         |          |         |          |     |         |     |          |         |      |         |   |         |
| M6 × 35 | φ 15 × 9 | M4 × 40 | φ 6 × 30 |     | M6 × 20 |     | φ 5 × 25 | M4 × 12 |      | M3 × 14 |   | 20 × 10 |

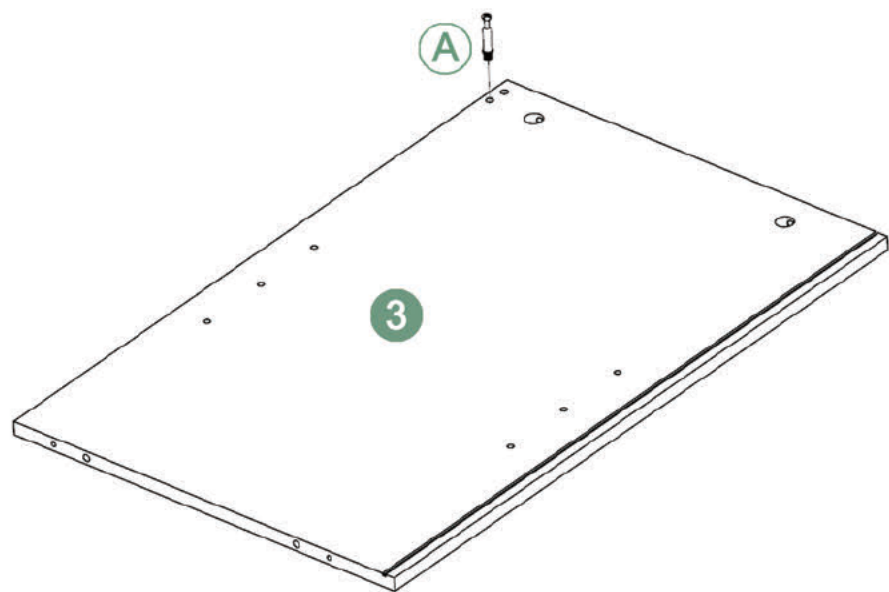
**BOLT INSTALLATION AS BELOW:**



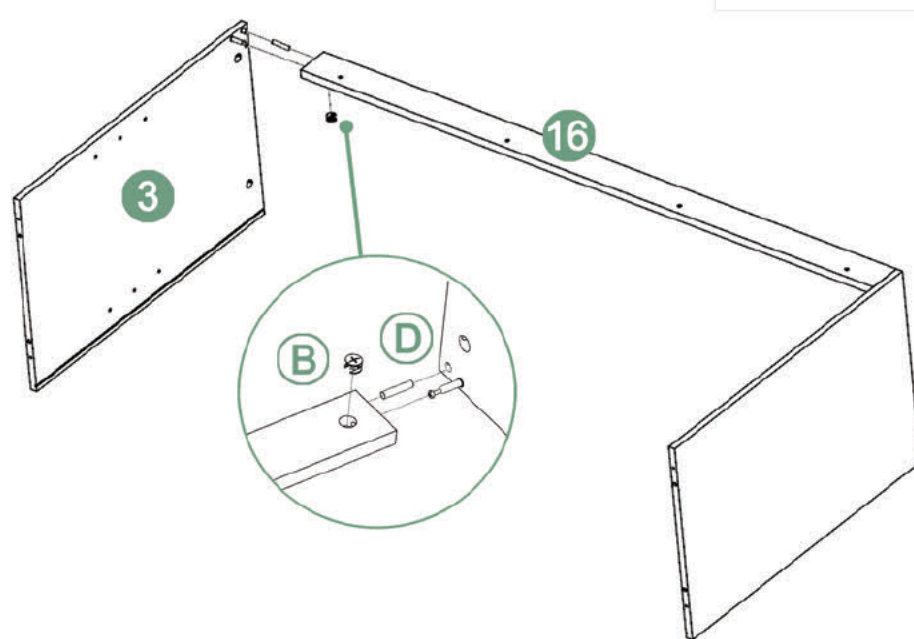
**BACKPLATE BUCKLE INSTALLATION AS BELOW:**



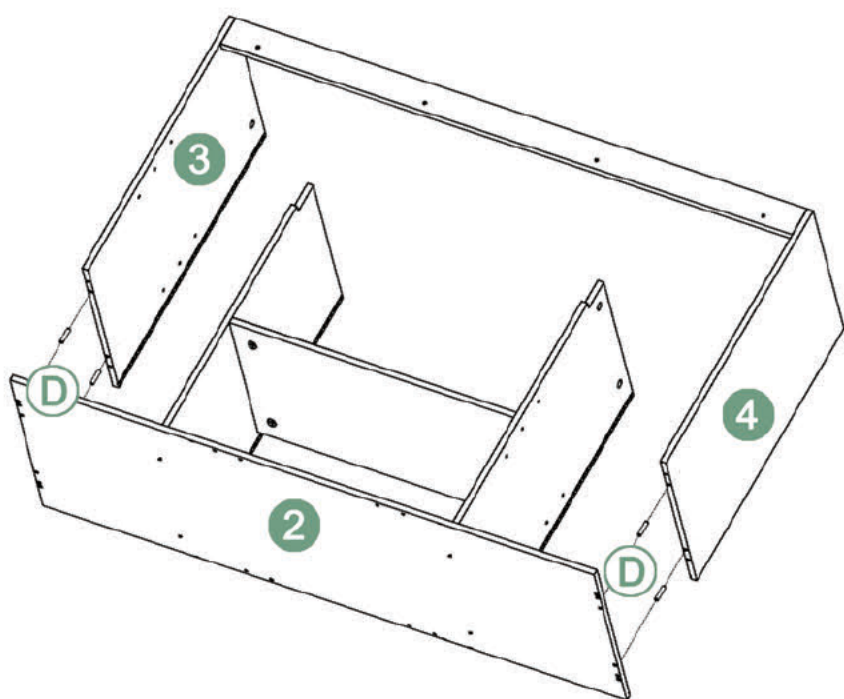
7.



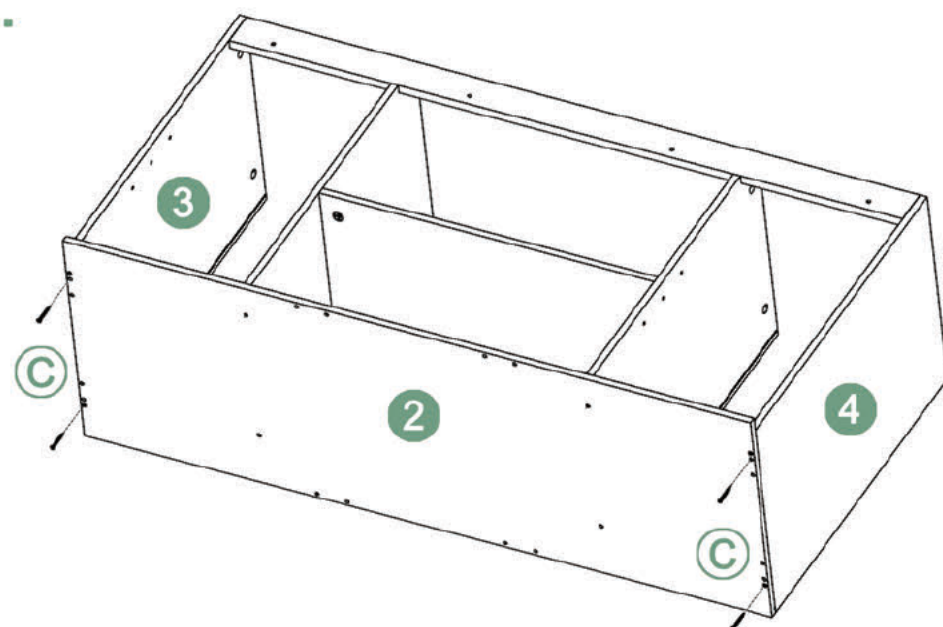
8.



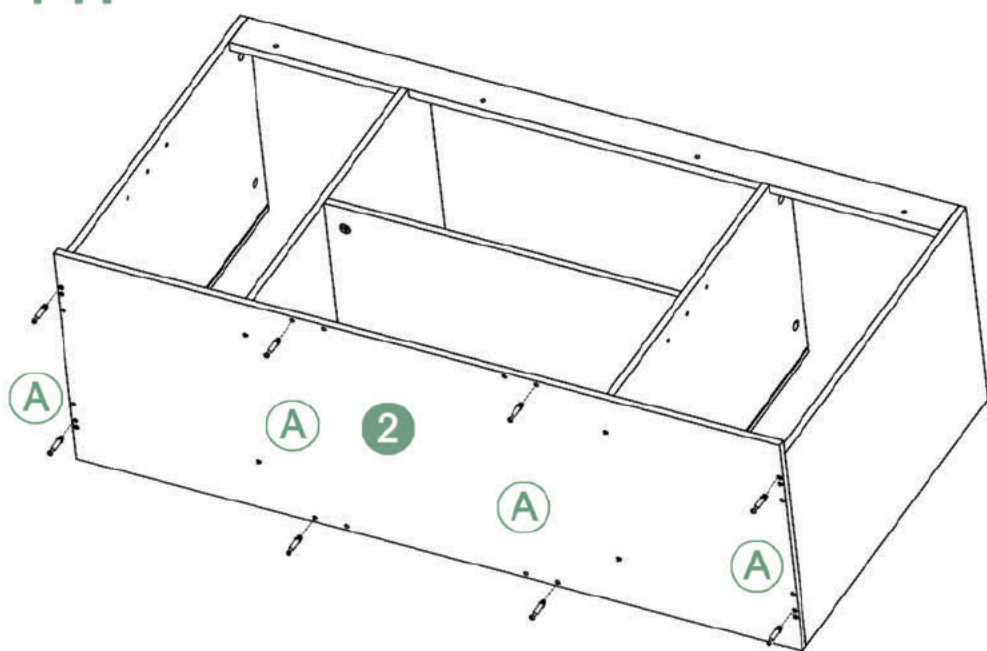
9.



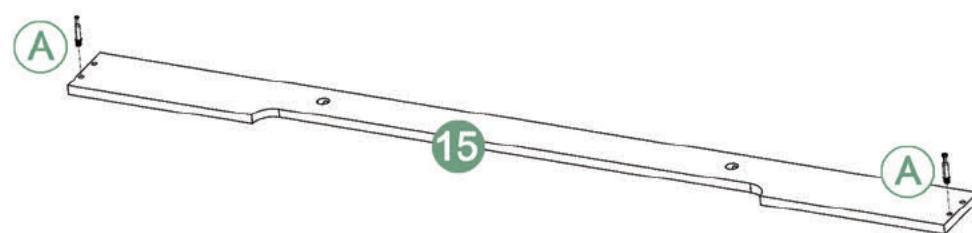
10.



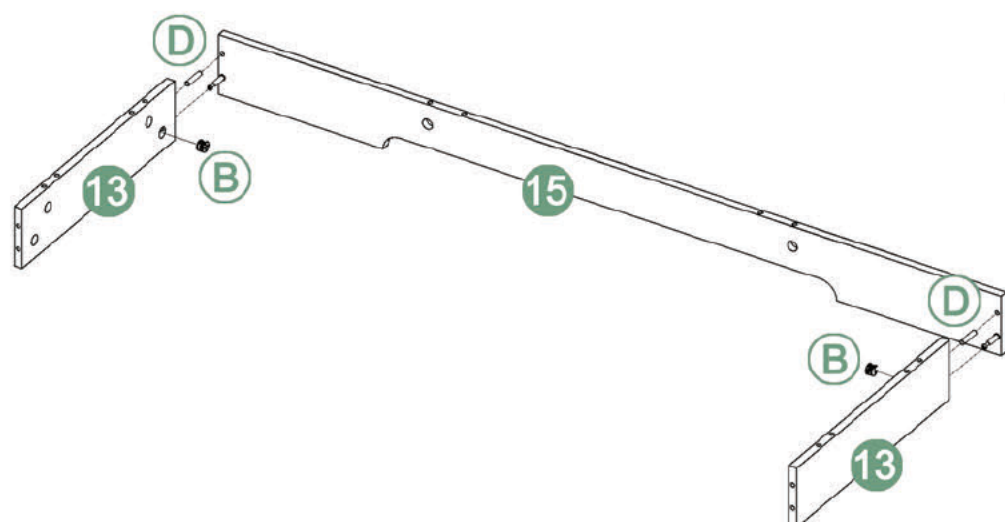
11.



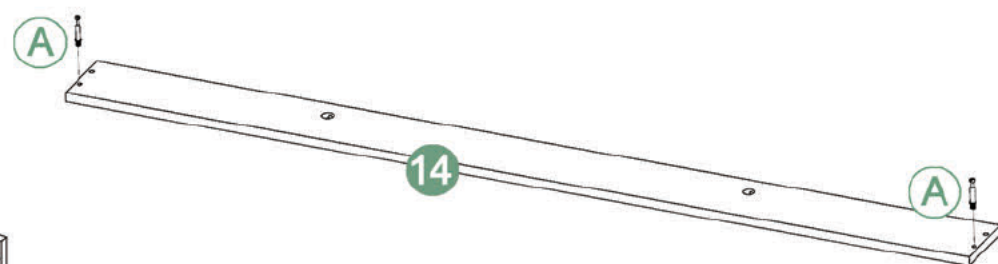
12.



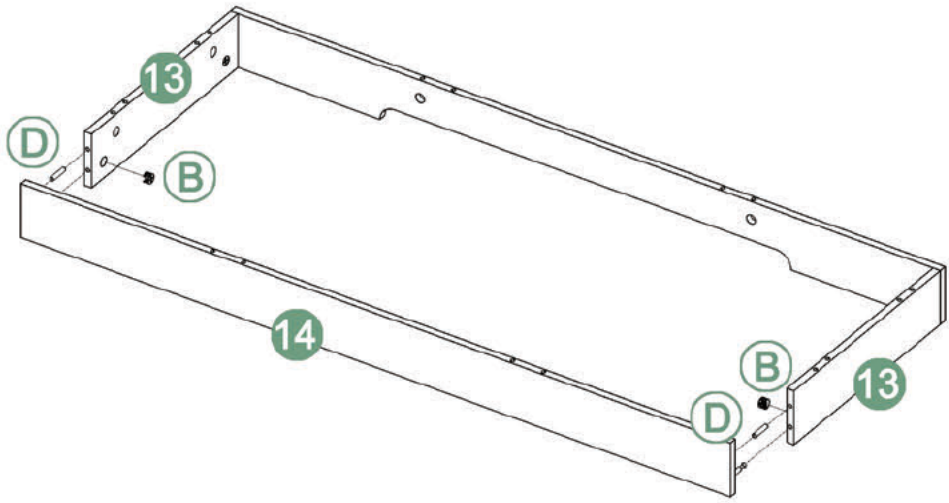
13.



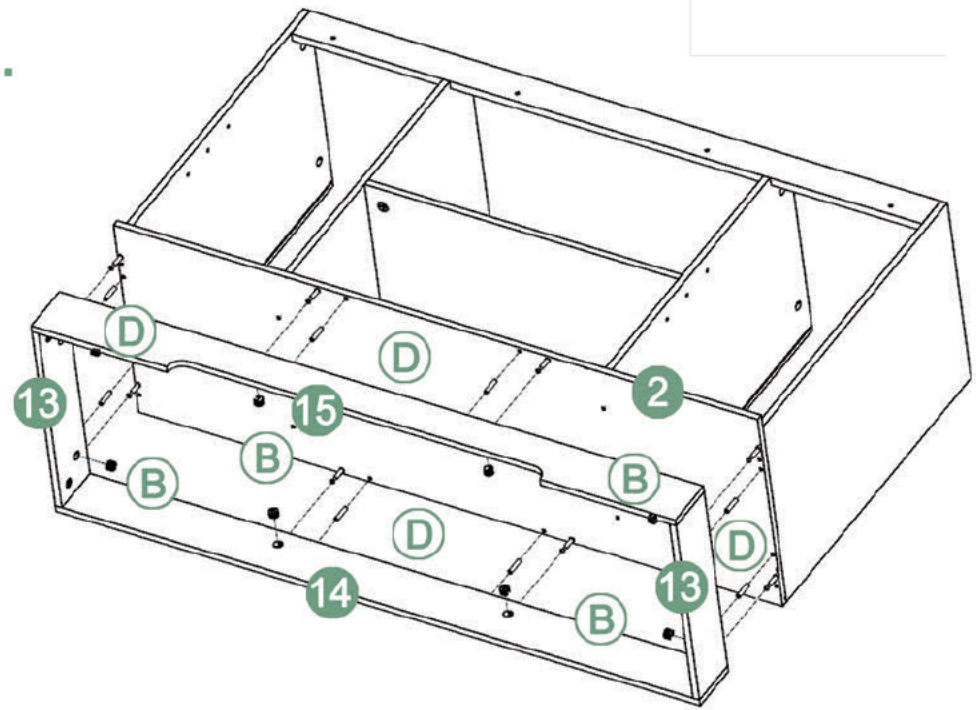
14.



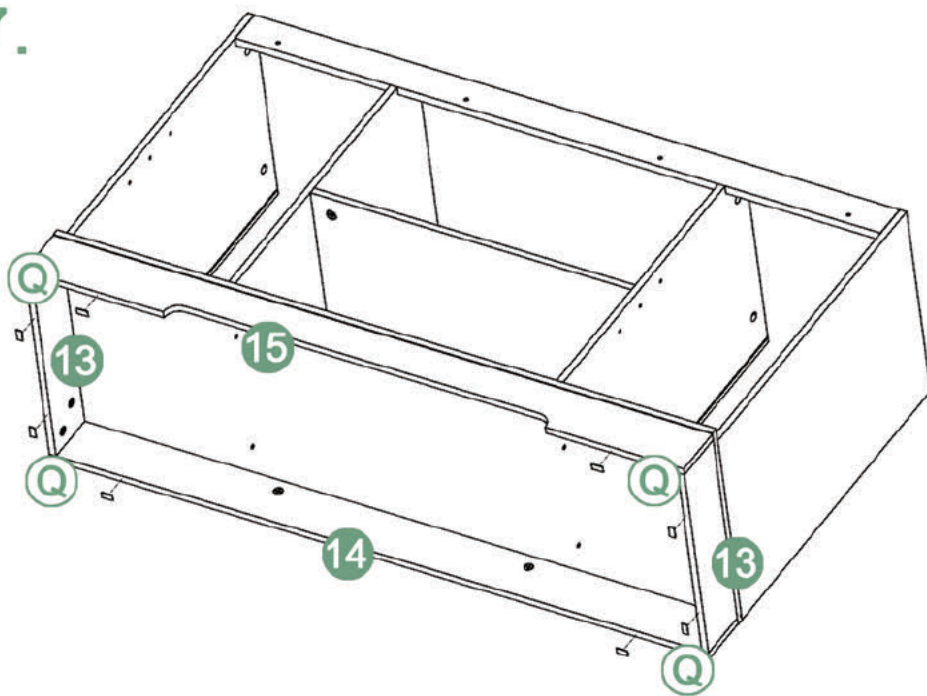
15.



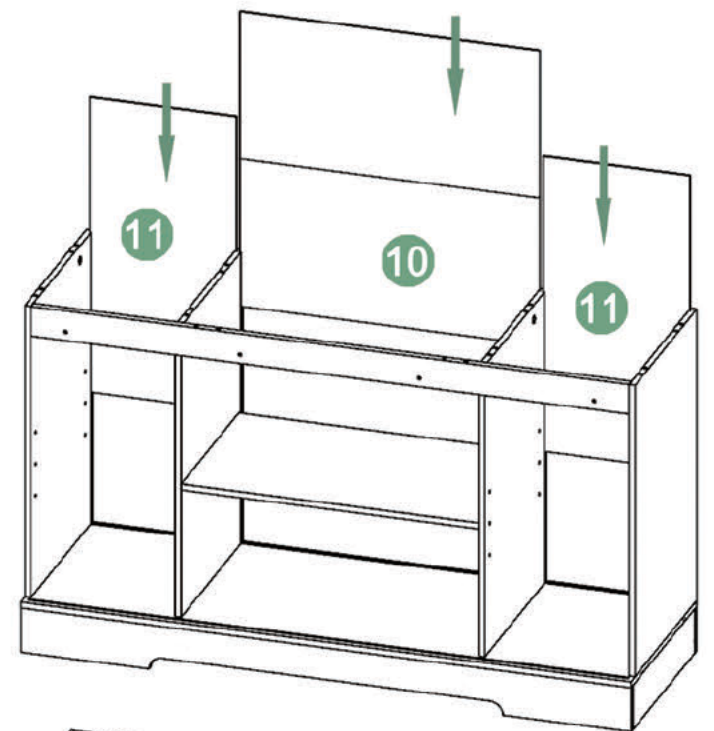
16.



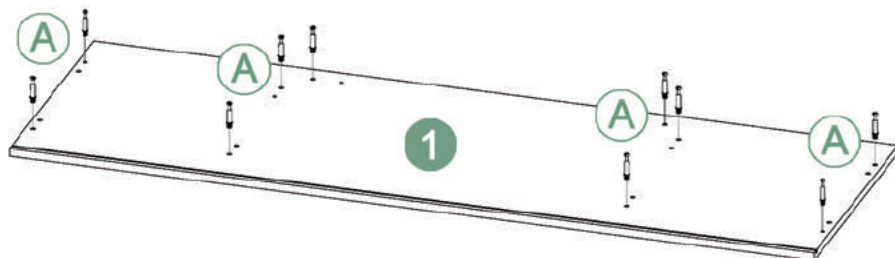
17.



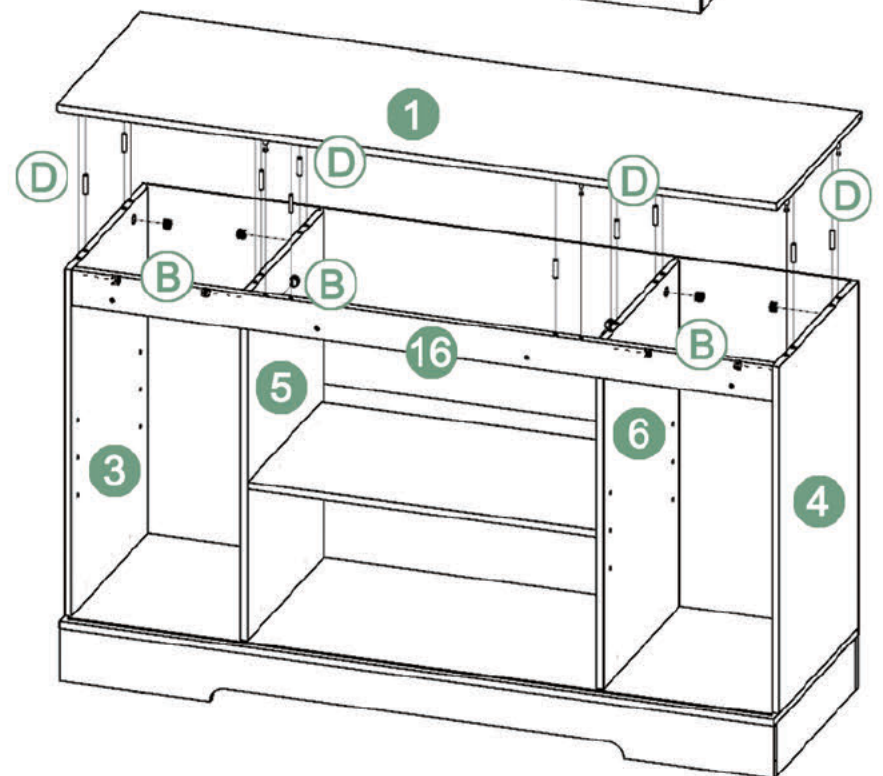
18.



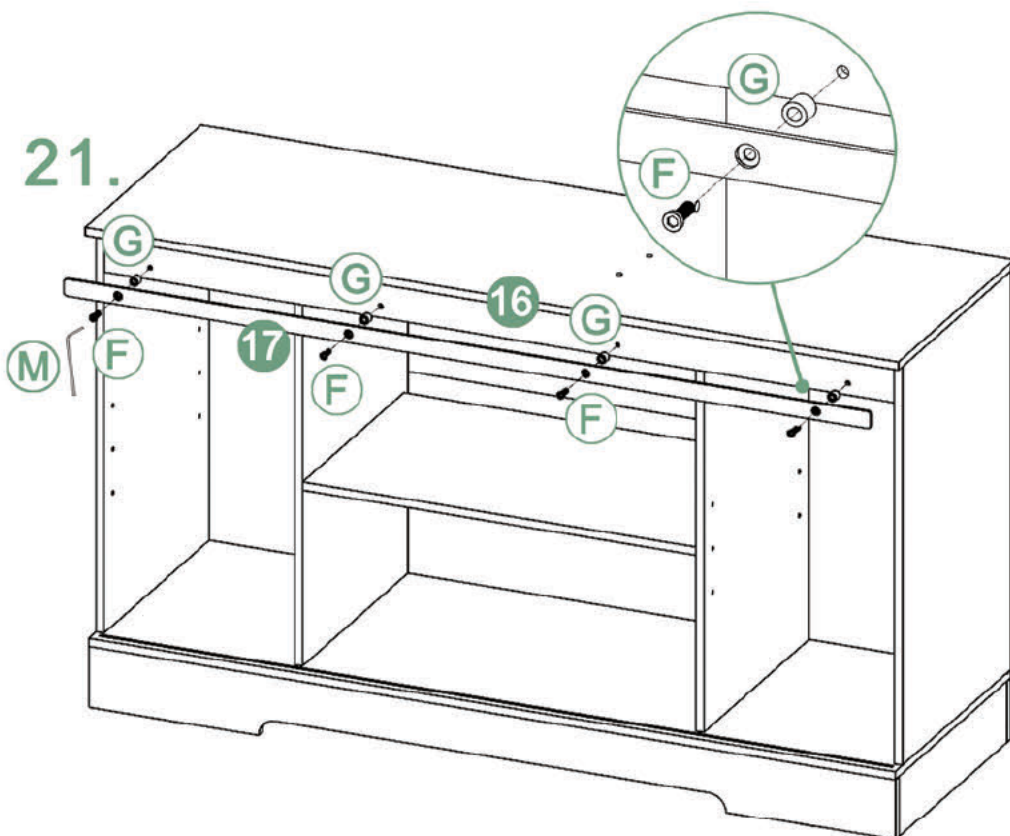
19.



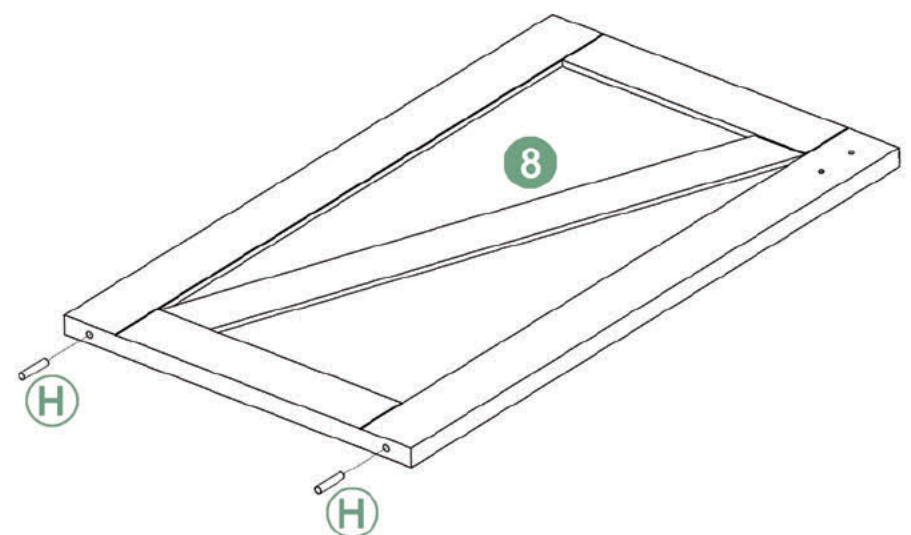
20.



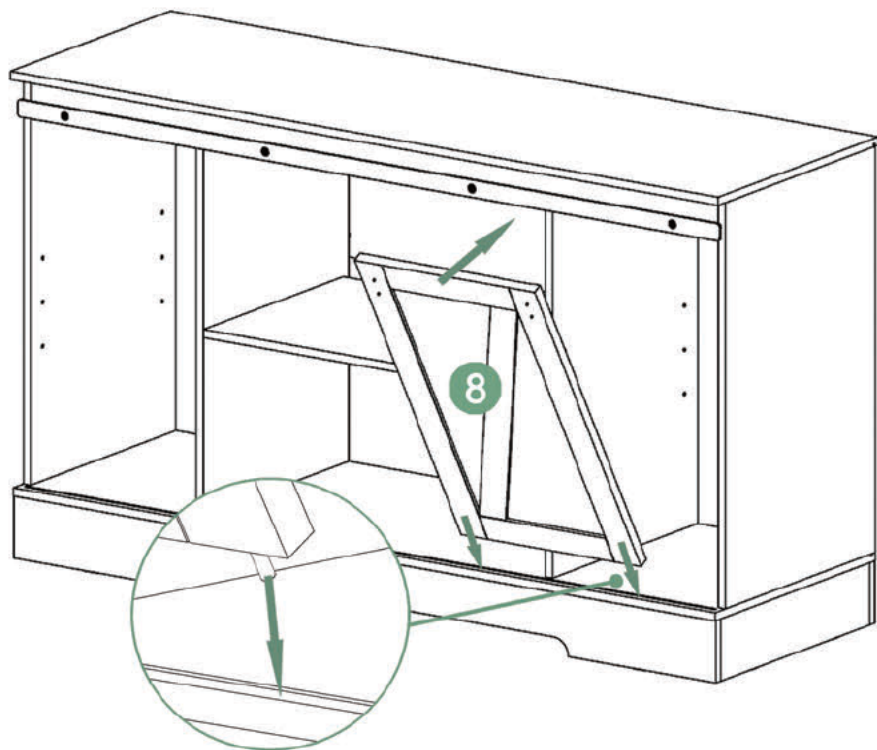
21.



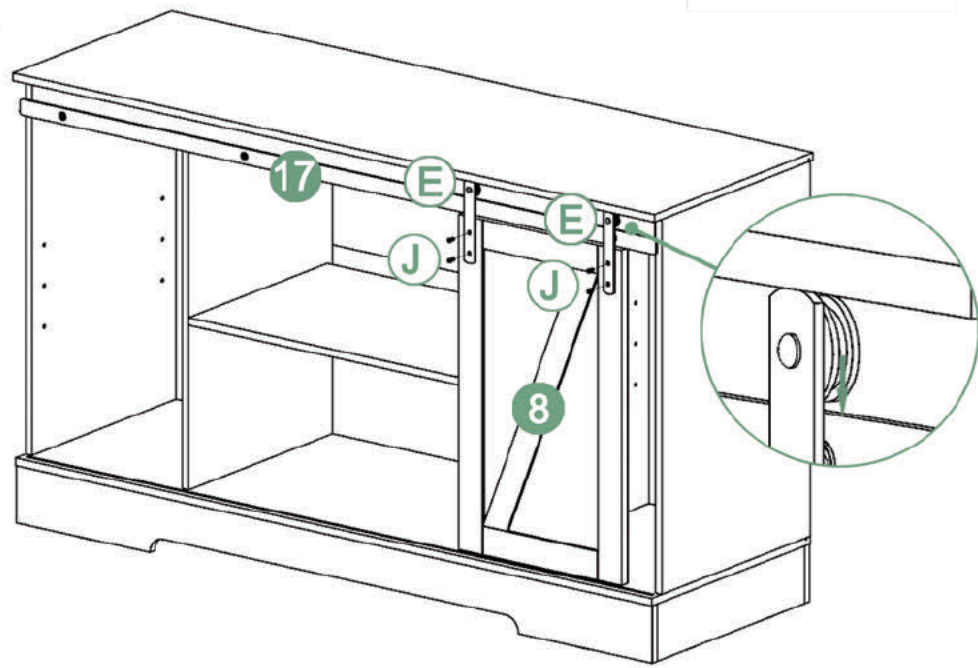
22.



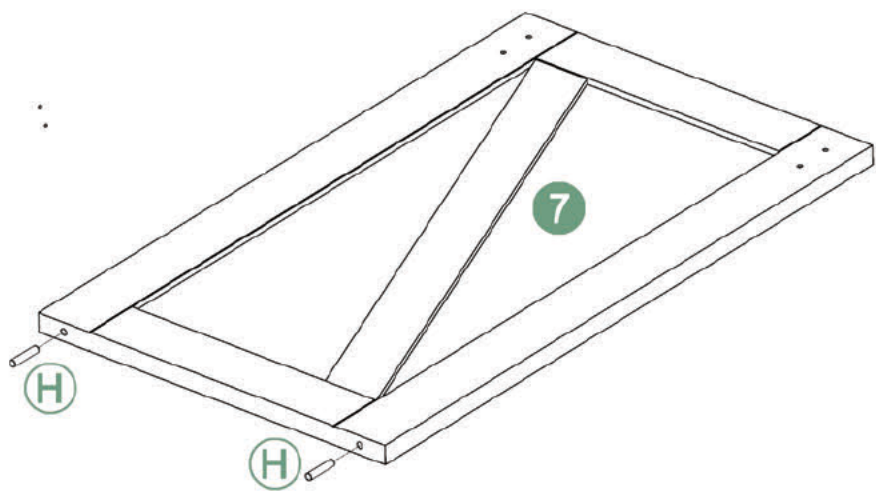
23.



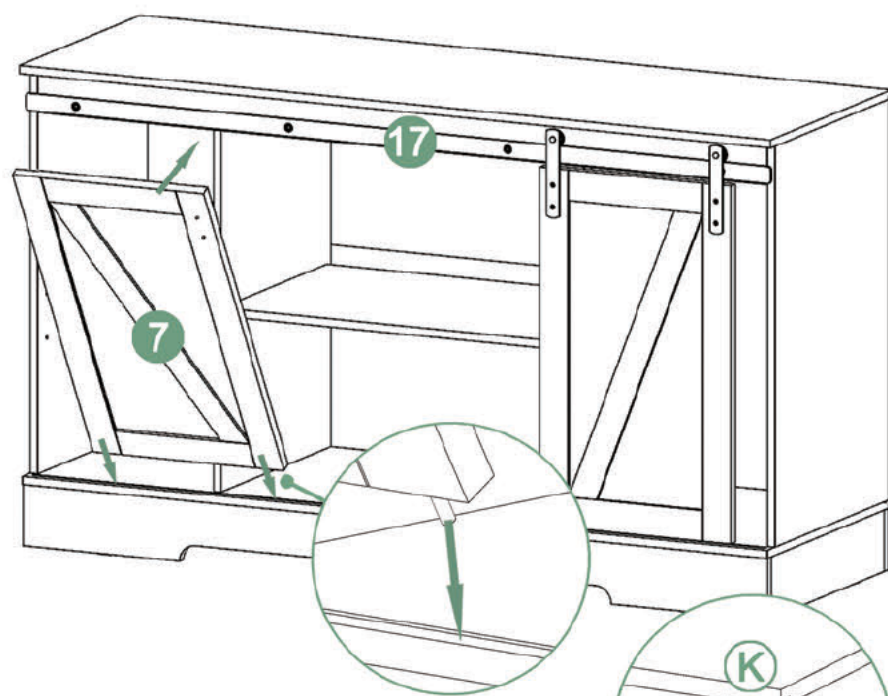
24.



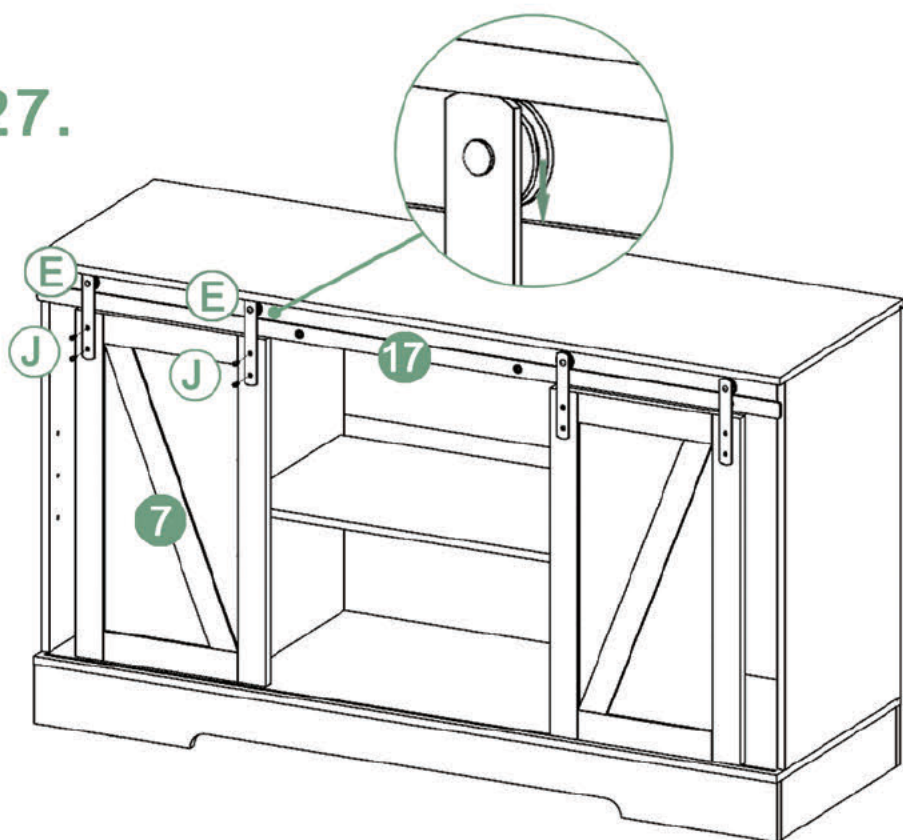
25.



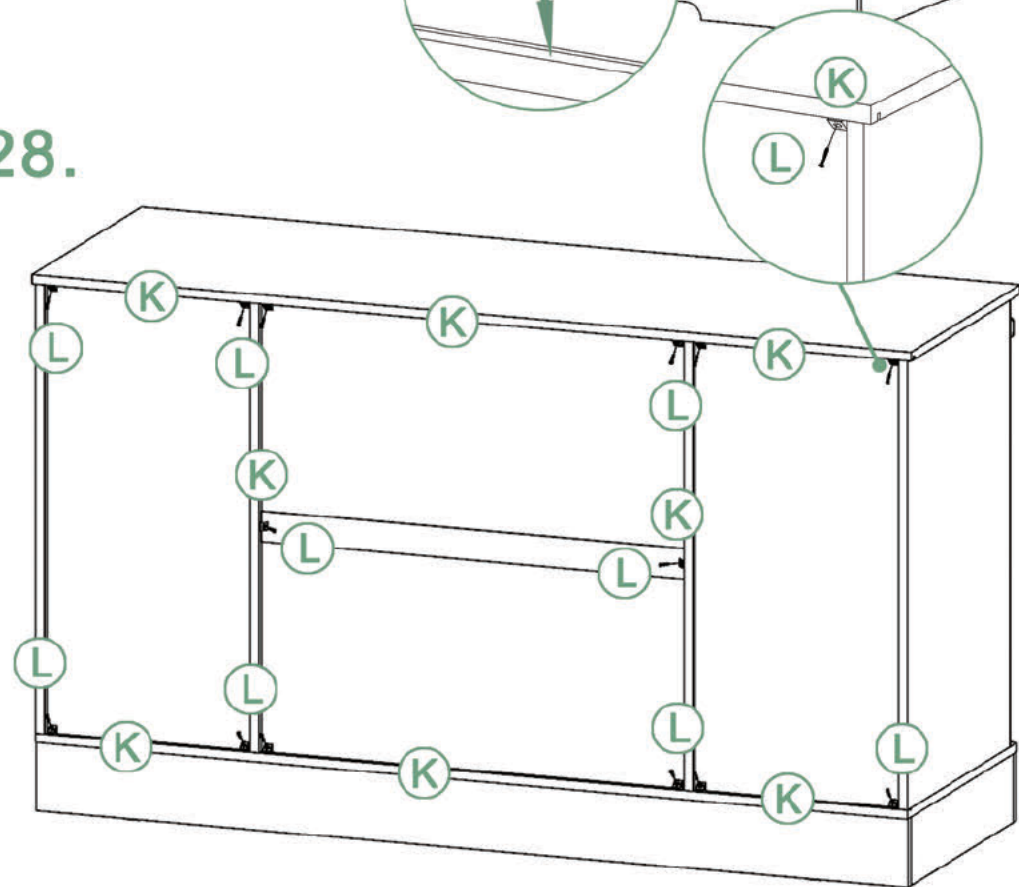
26.



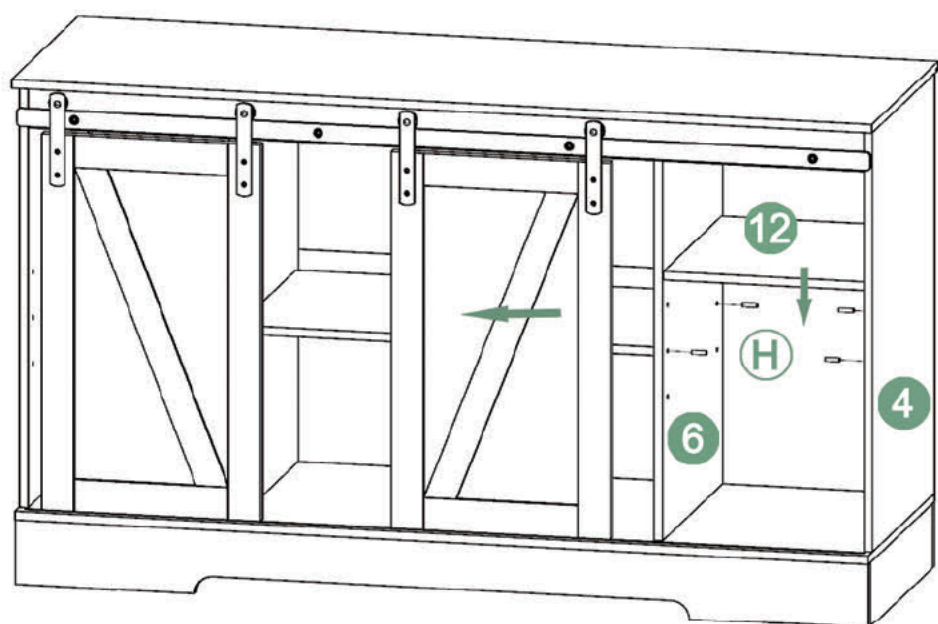
27.



28.



29.



30.

