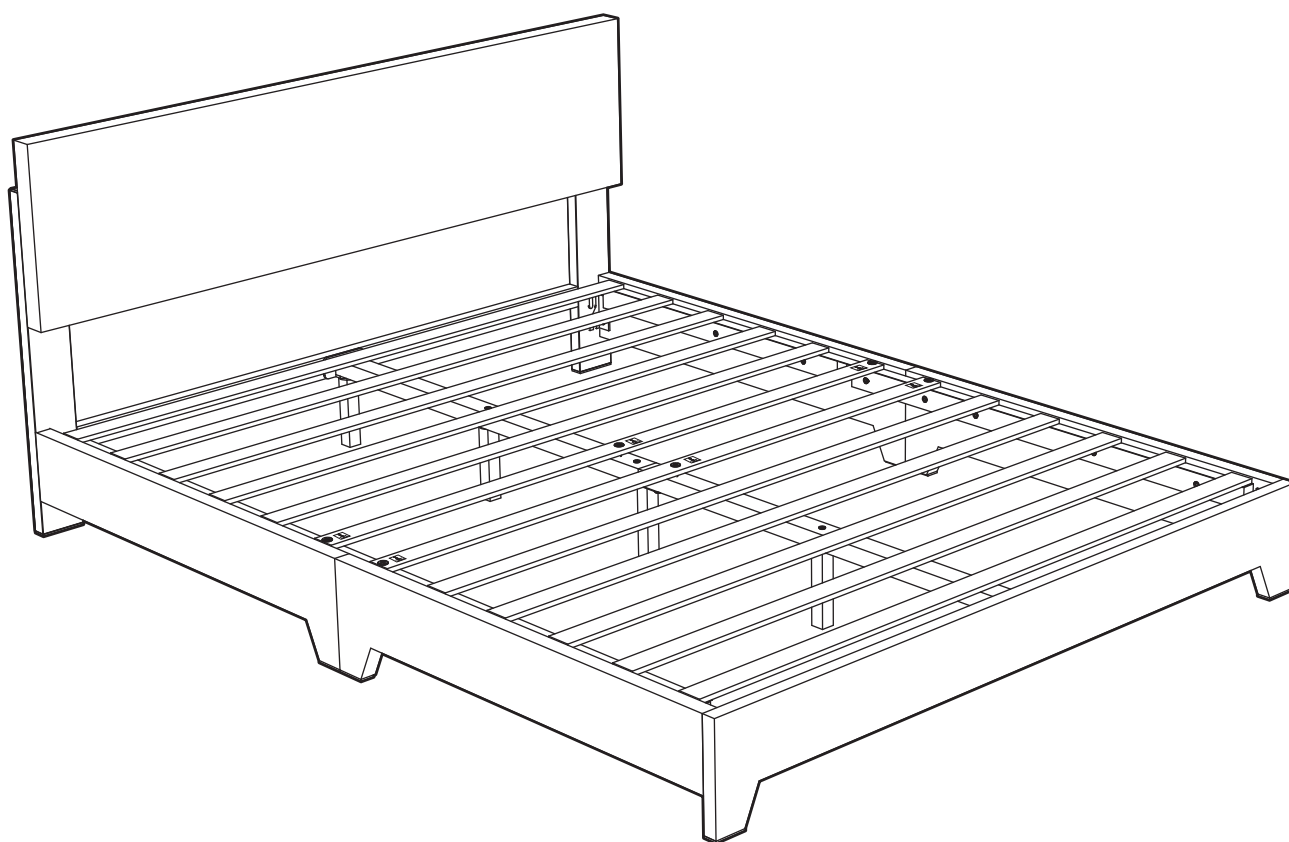


# Platform Bed

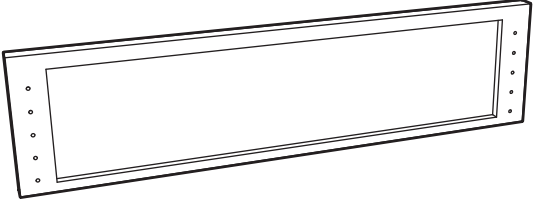
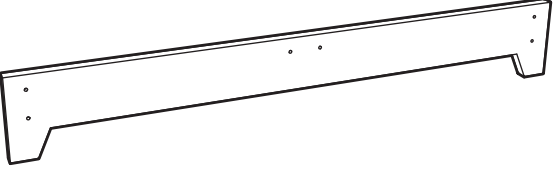
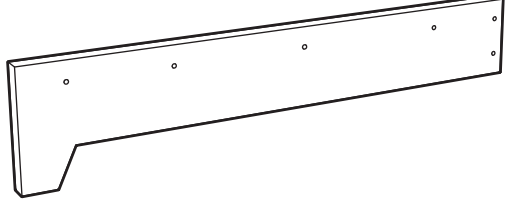
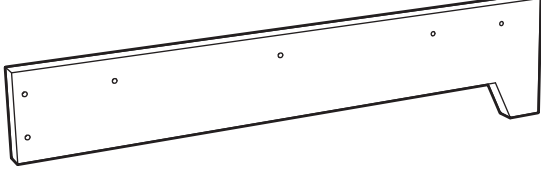
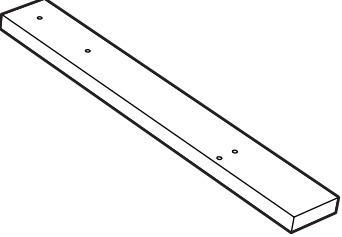
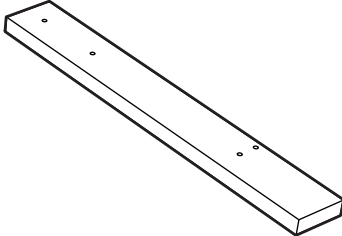
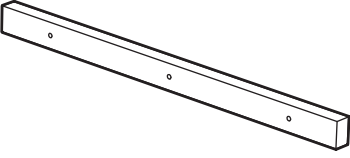
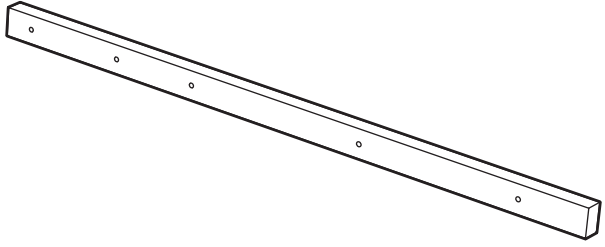
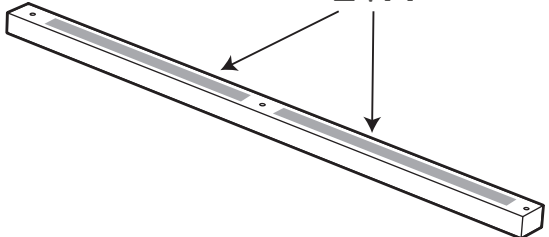
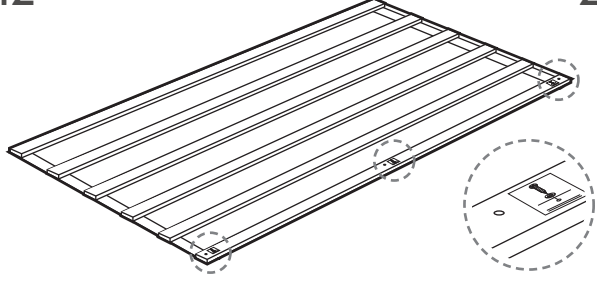
## Original instruction manual

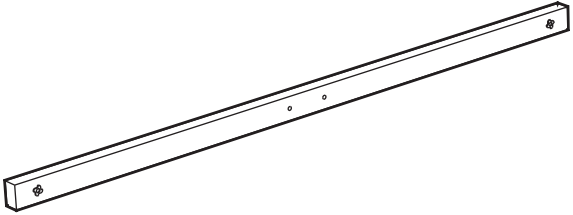
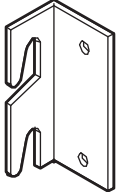
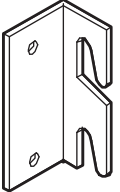
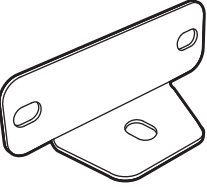

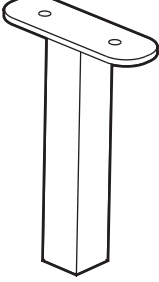
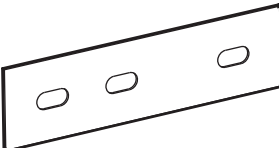
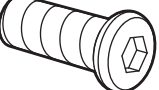
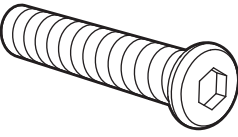
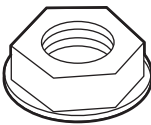
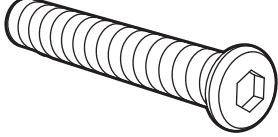
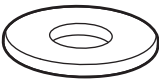
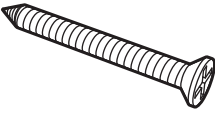


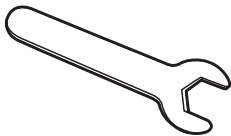


Dear customer,

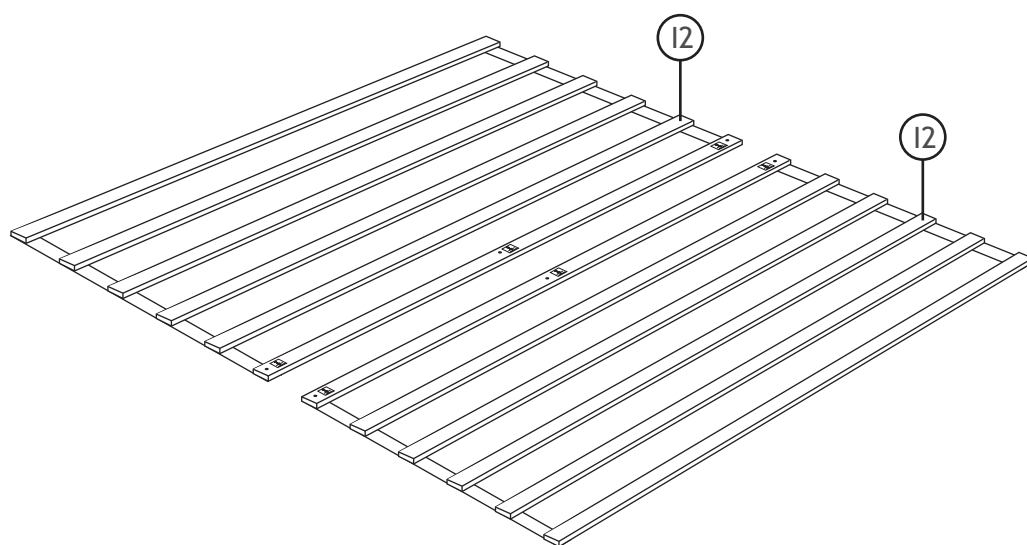
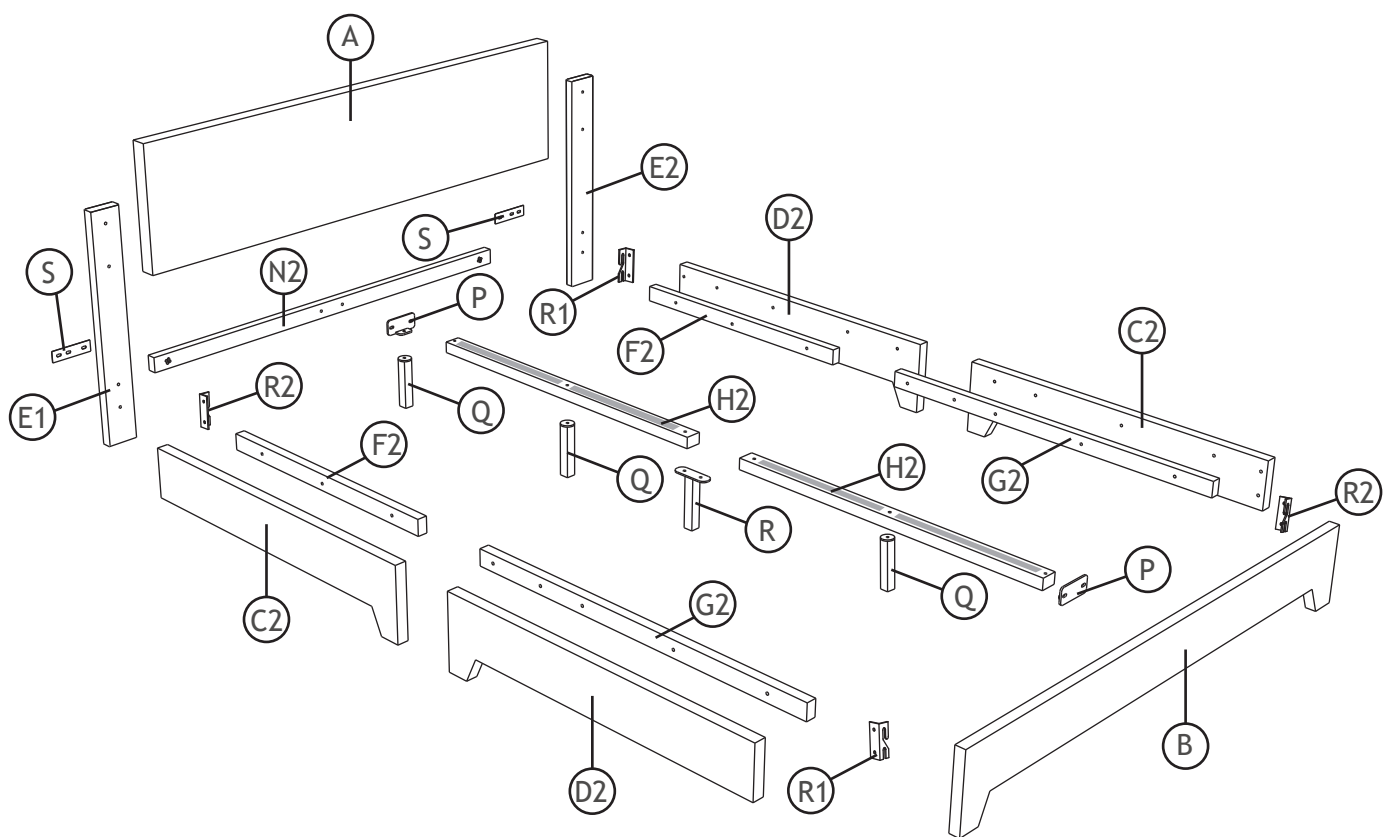
Thank you for choosing our product. Please read this manual carefully before assembling or using the product, to avoid damage caused by improper use. If the product is passed on to third parties, this manual has to be passed on along with the product. For any question don't hesitate to contact us.

# Parts list

<p>A 1×</p> 	<p>B 1×</p> 
<p>C2 2×</p> 	<p>D2 2×</p> 
<p>E1 1×</p> 	<p>E2 1×</p> 
<p>F2 2×</p> 	<p>G2 2×</p> 
<p>H2 2×</p> 	<p>I2 2×</p> 

<p>N2</p> <p>1×</p> 	<p>R1</p> <p>2×</p> 	<p>R2</p> <p>2×</p> 	
<p>P</p> <p>2×</p> 	<p>Q</p> <p>3×</p> 	<p>R</p> <p>1×</p> 	
<p>S</p> <p>2×</p> 	<p>T1</p> <p>26×</p>  <p>M8×20</p>	<p>T2</p> <p>25×</p>  <p>M8×40</p>	
<p>T3</p> <p>1×</p> 	<p>T4</p> <p>1×</p>  <p>M8×45</p>	<p>T5</p> <p>6×</p>  <p>M3</p>	
<p>T6</p> <p>6×</p> 	<p>T7</p> <p>1×</p> 	<p>T9</p> <p>6×</p>  <p>M8</p>	<p>T10</p> <p>1×</p> 

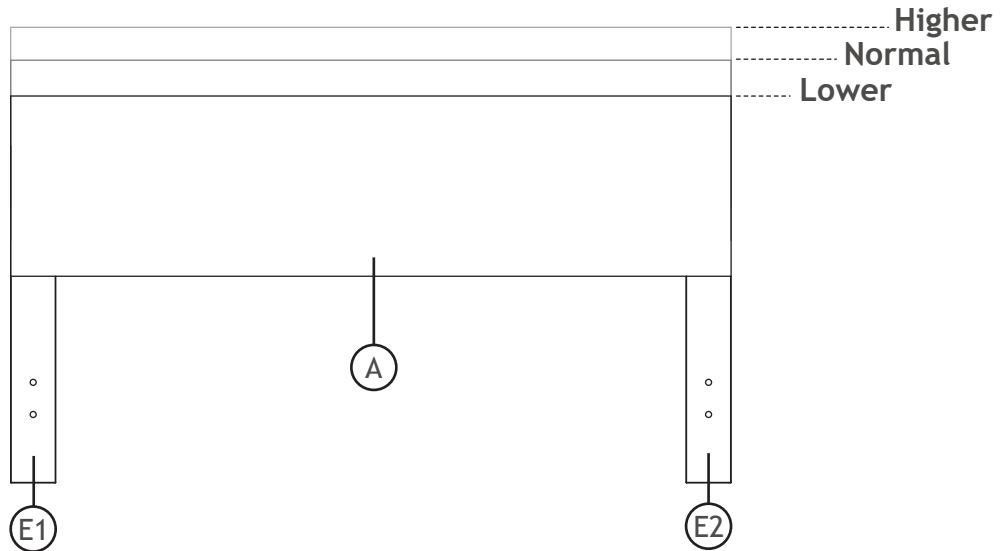
# Exploded view



# Assembly

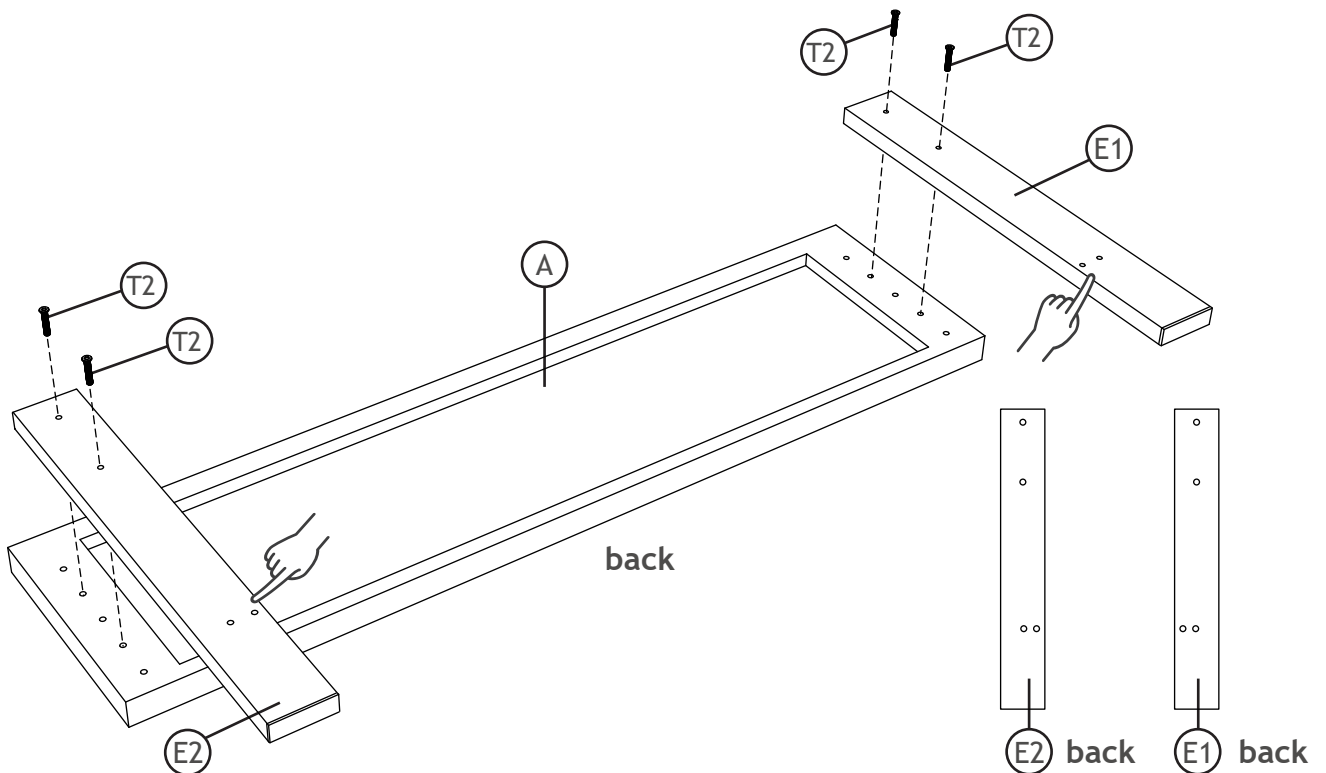
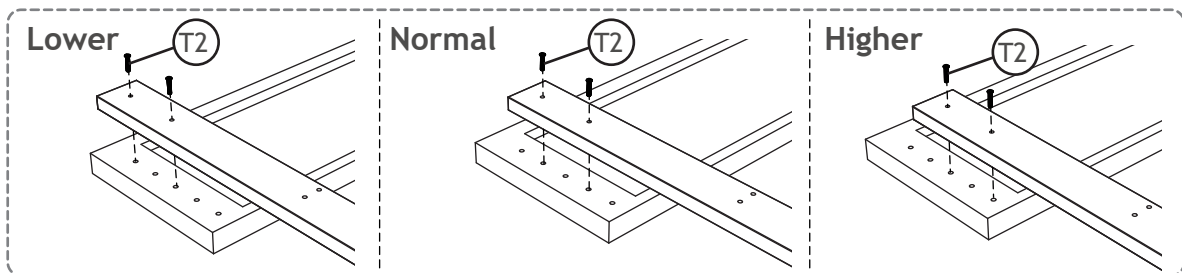
Before your installation, please make sure that you have all the parts listed on the manual. If you find something missing, stop installing and contact your supplier immediately.

1

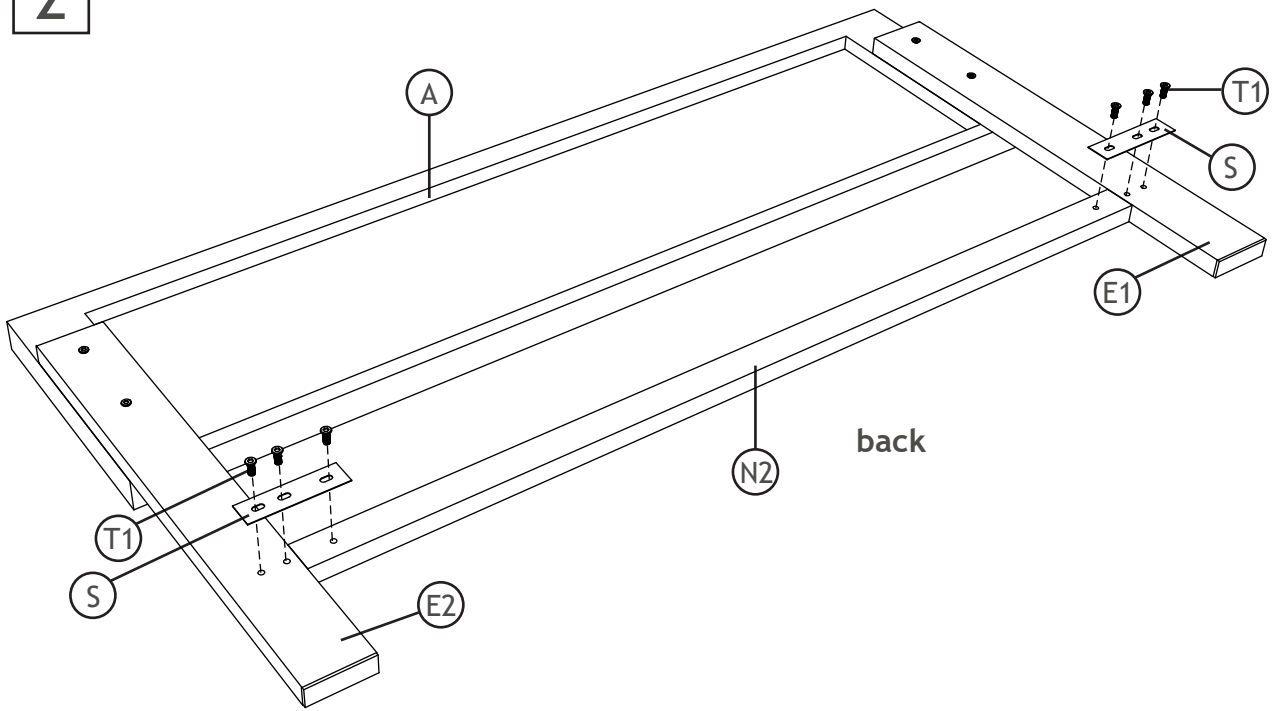


**NOTE:**

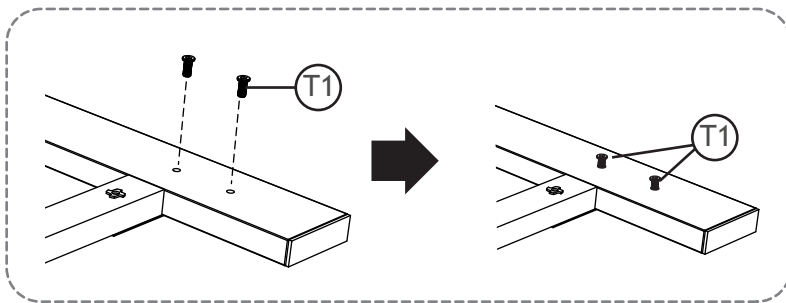
You can adjust the height of the headboard by adjusting the screw position.



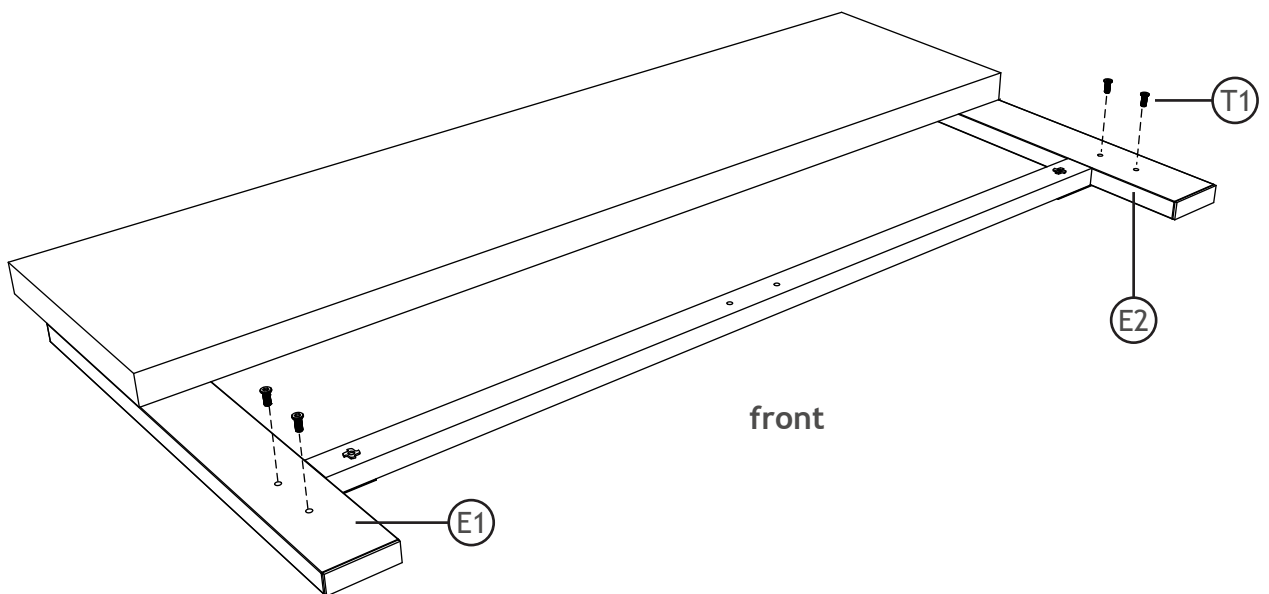
2



3

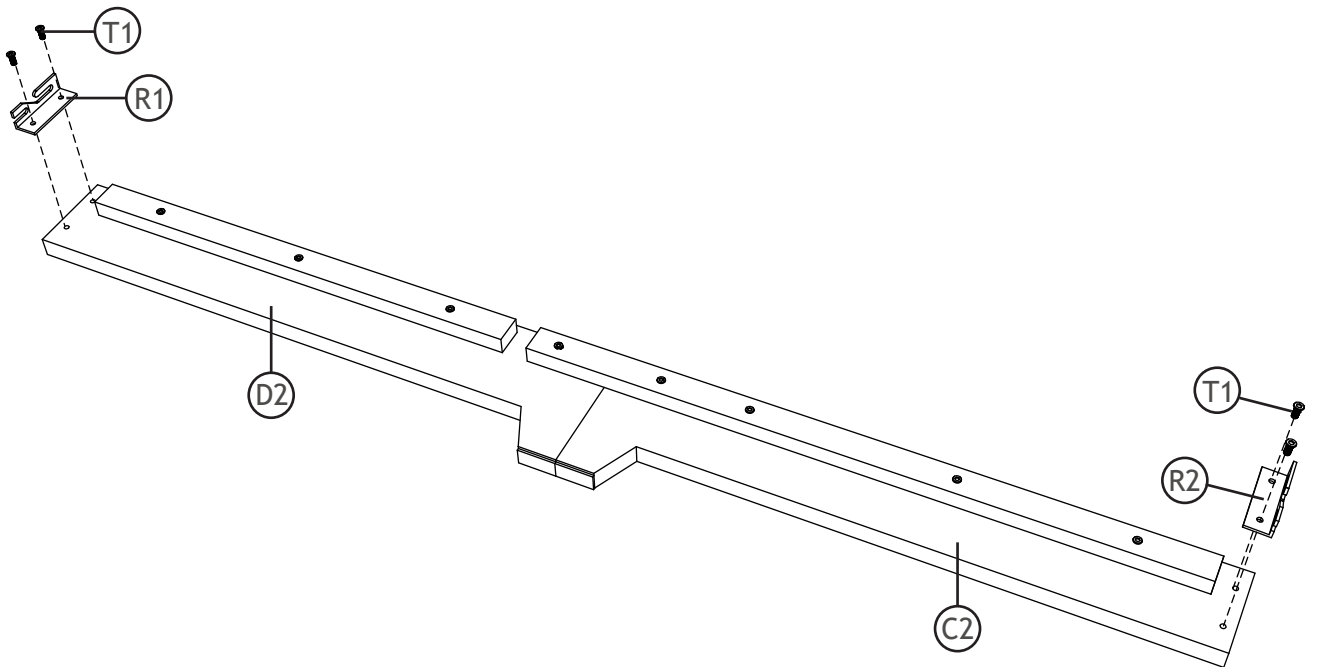
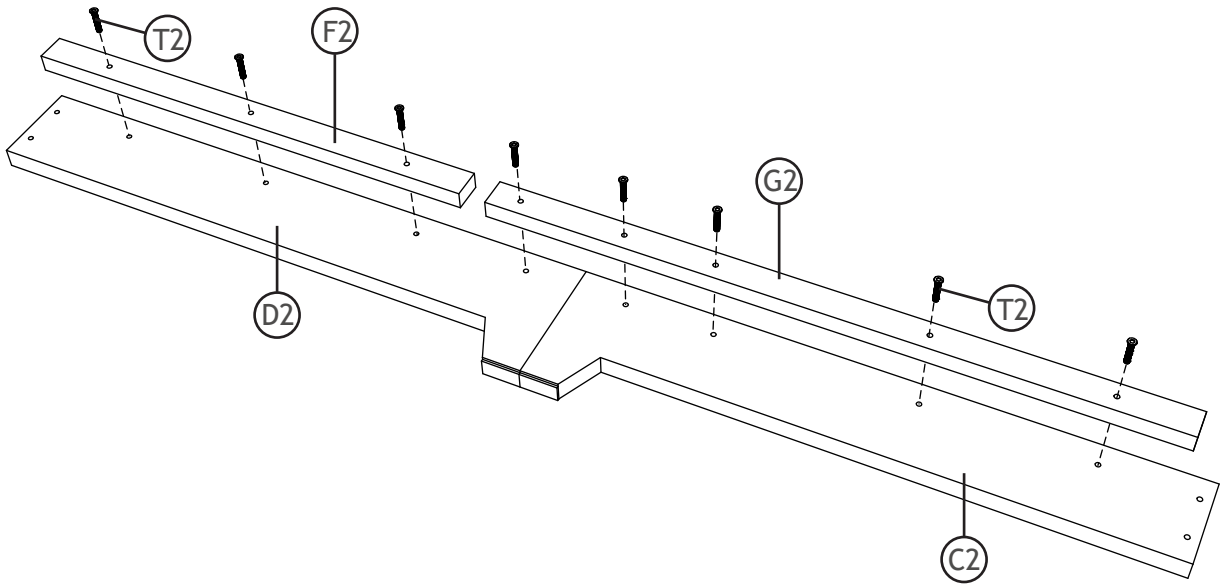


 **DO NOT TIGHTEN ALL THE SCREWS(T1).**



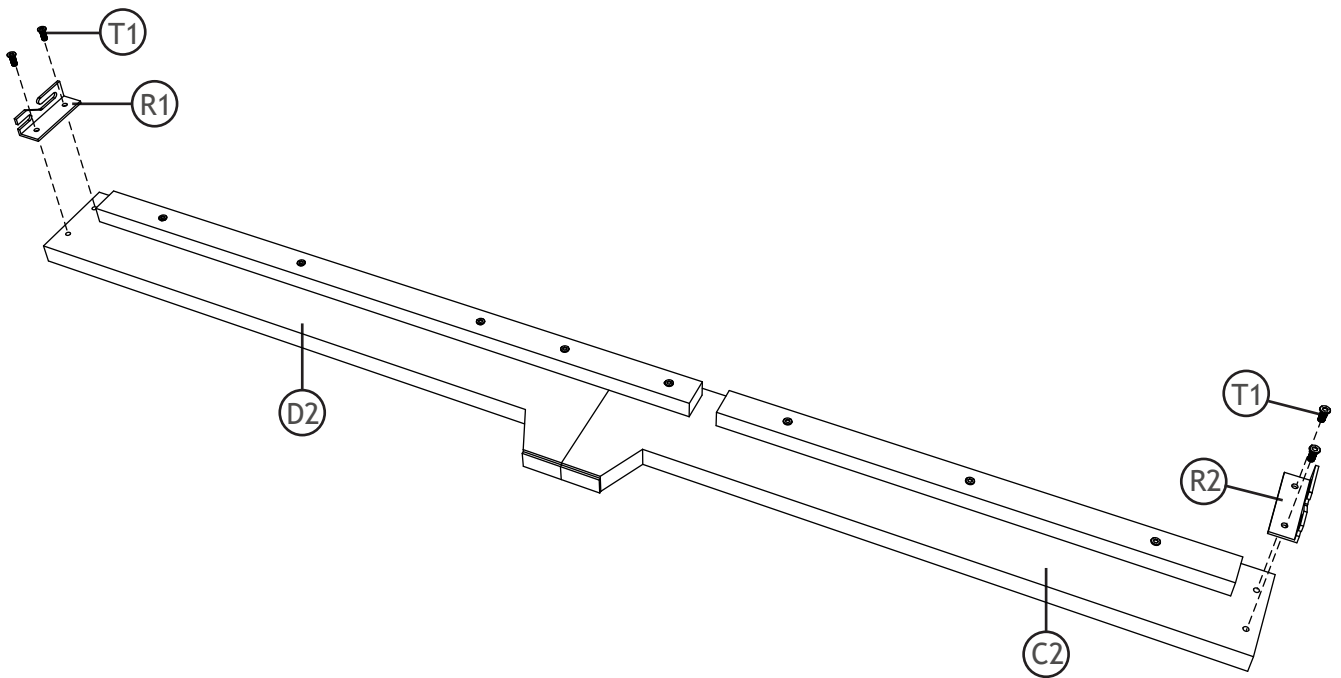
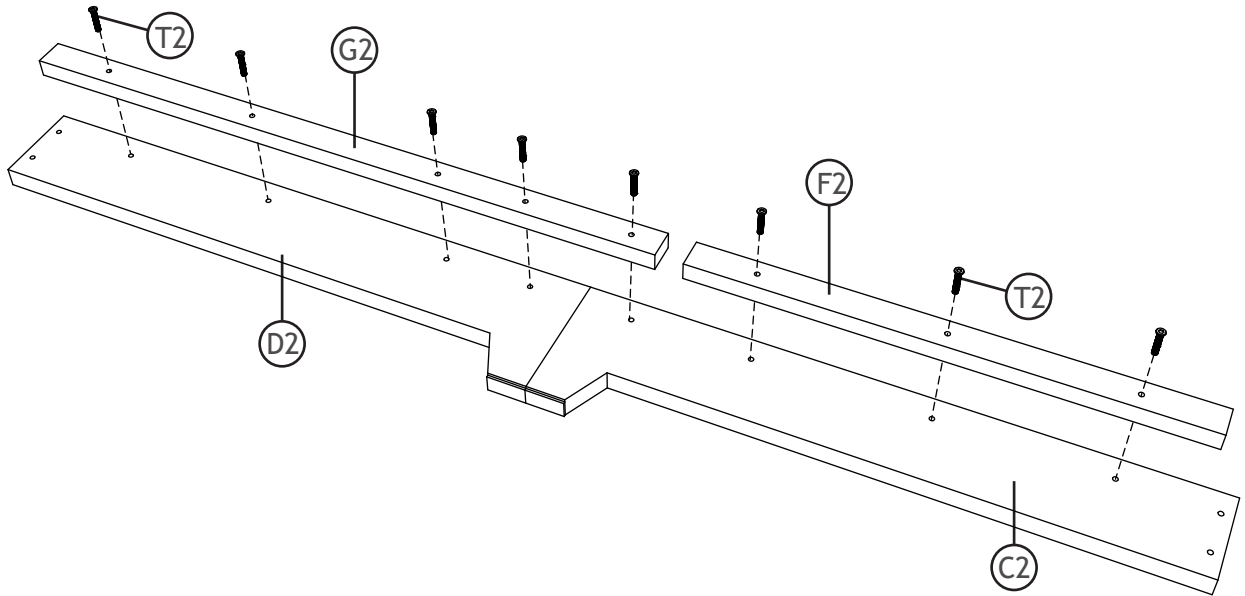
4

Right side

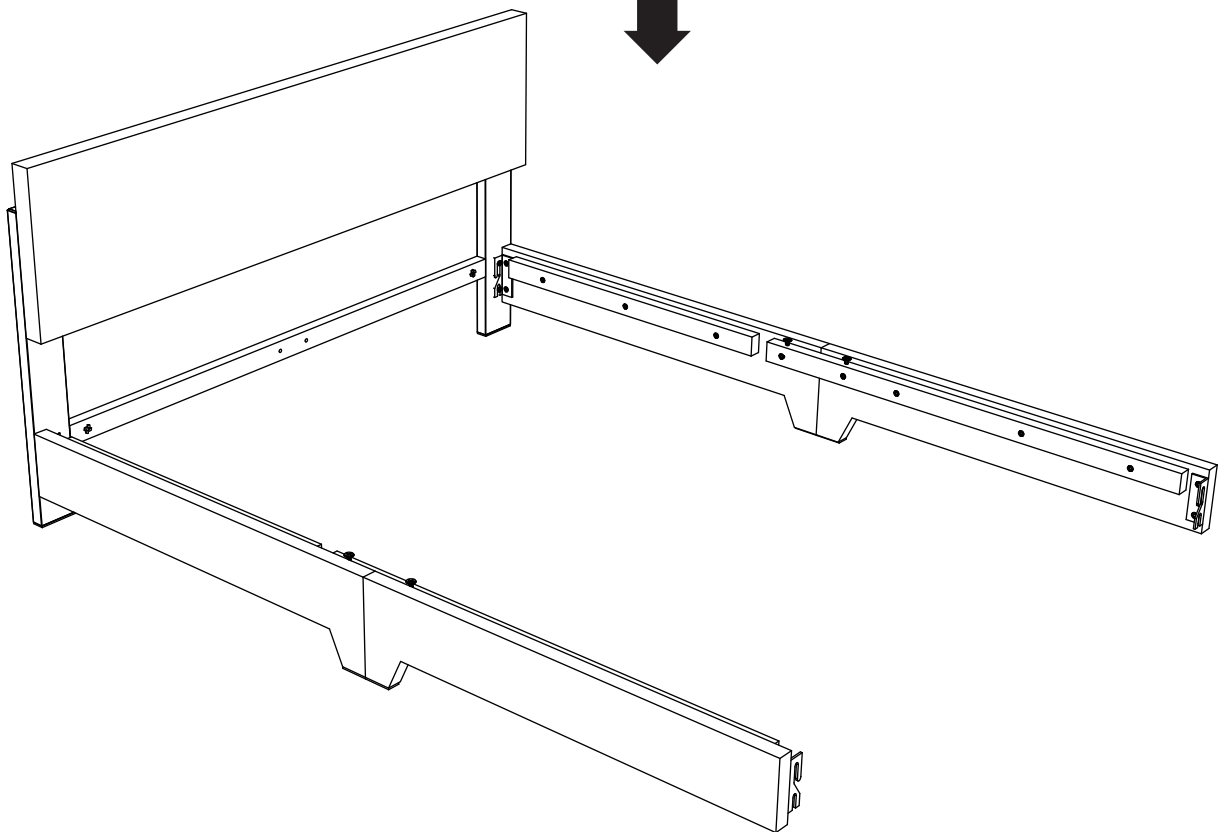
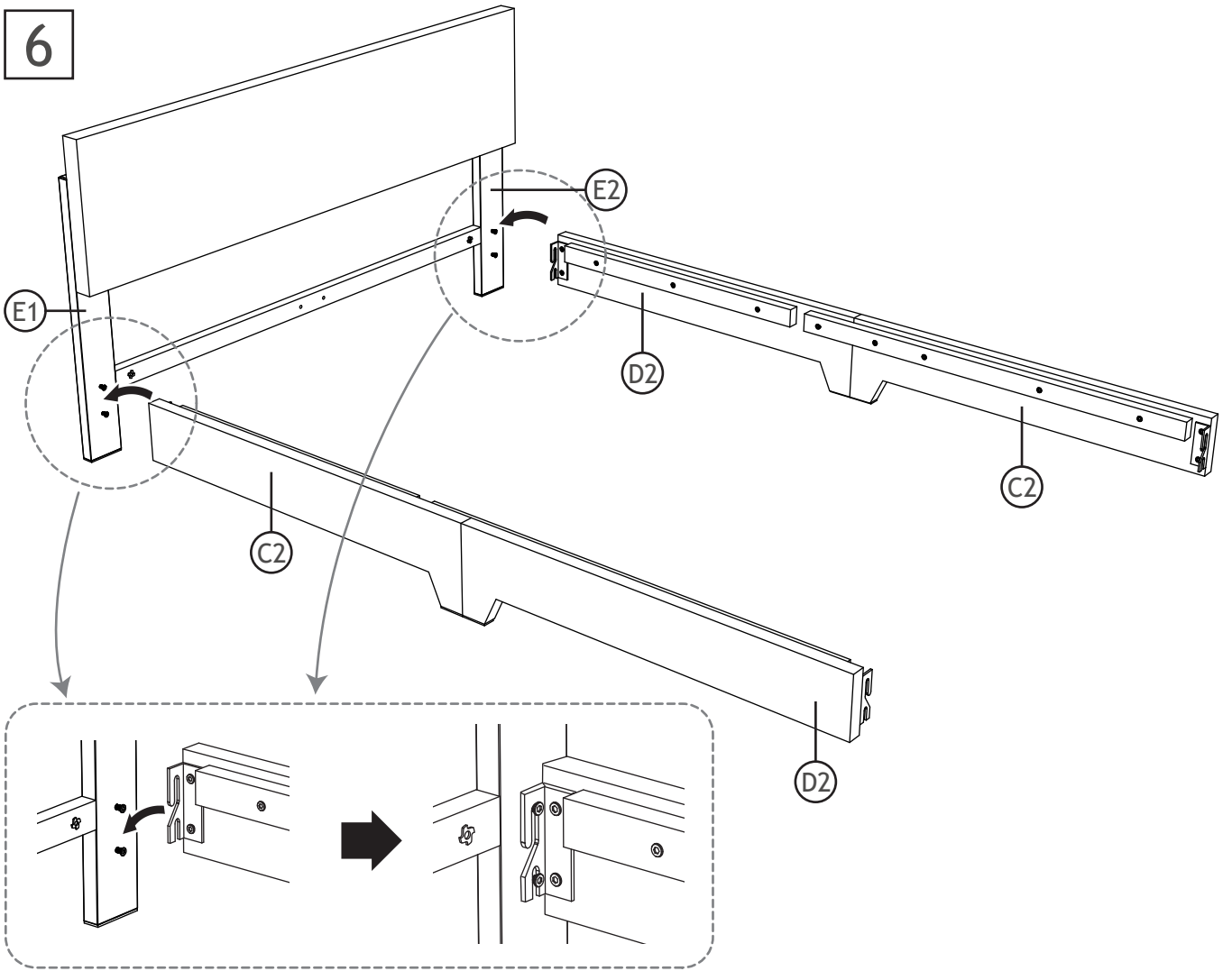


5

Left side

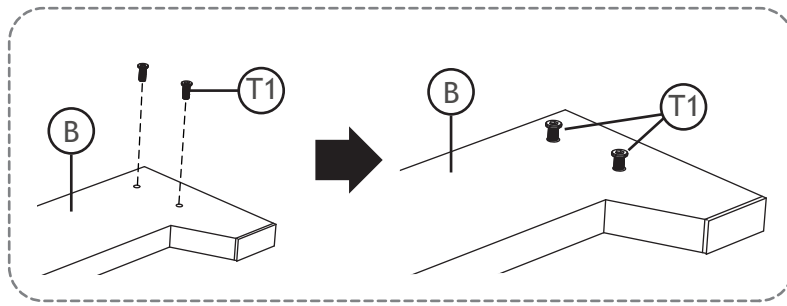


6

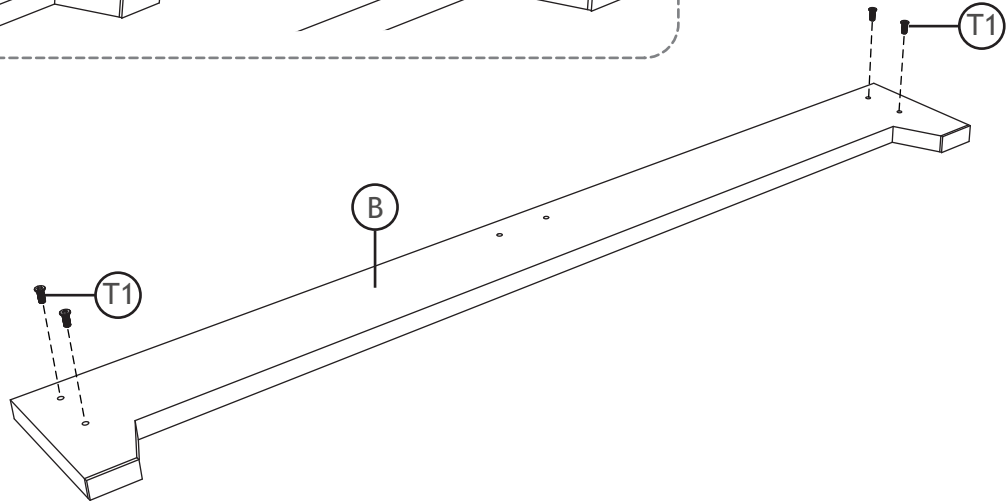


9

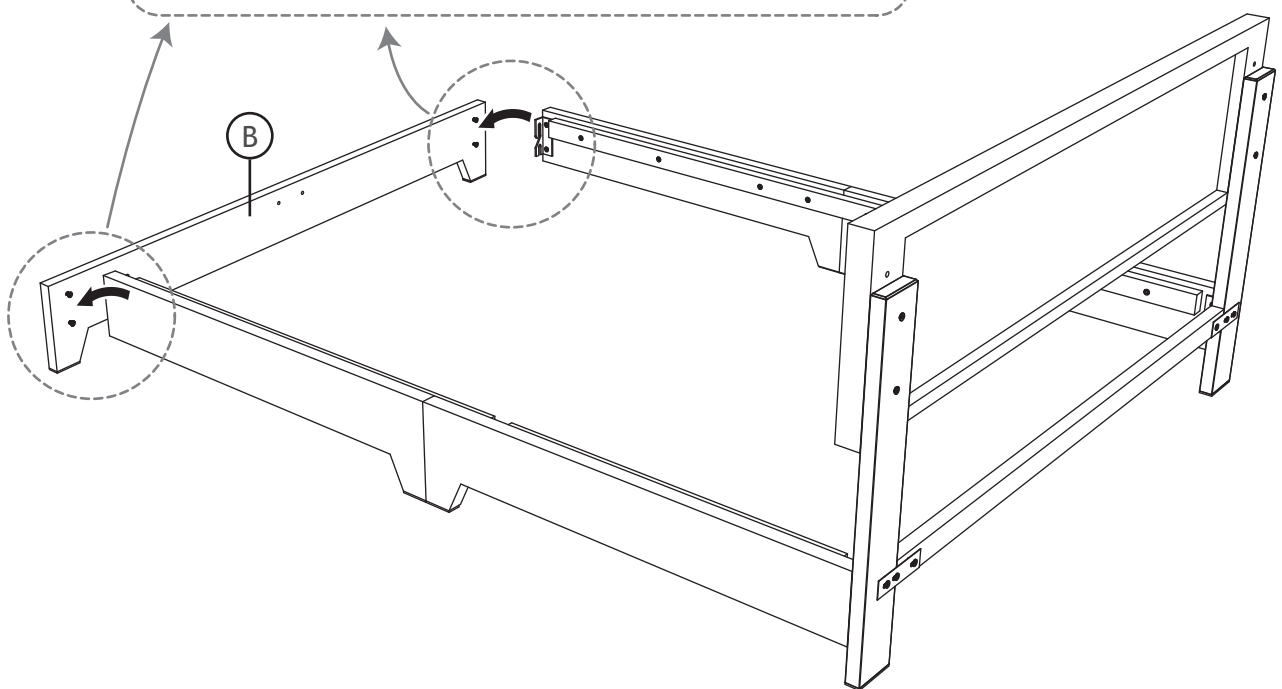
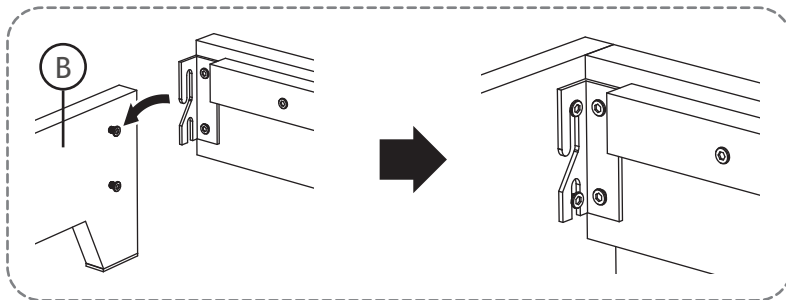
7



 DO NOT TIGHTEN ALL THE SCREWS(T1).

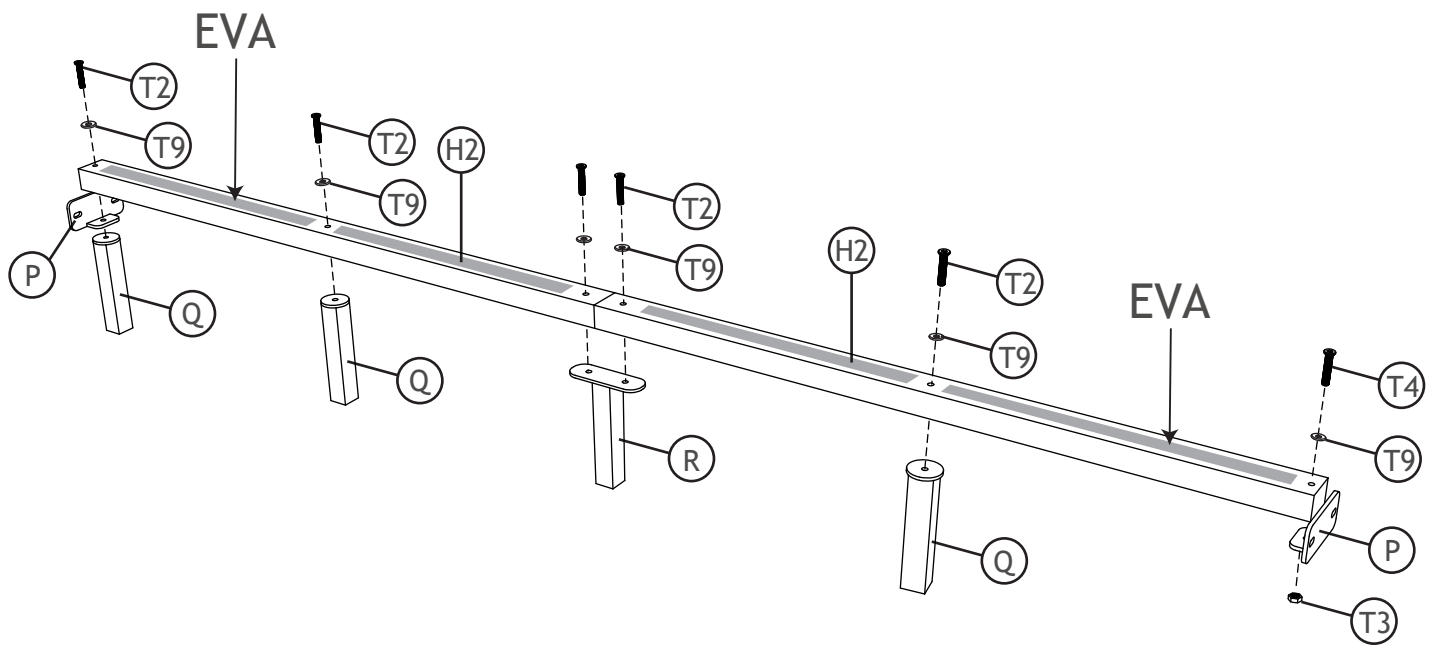


8

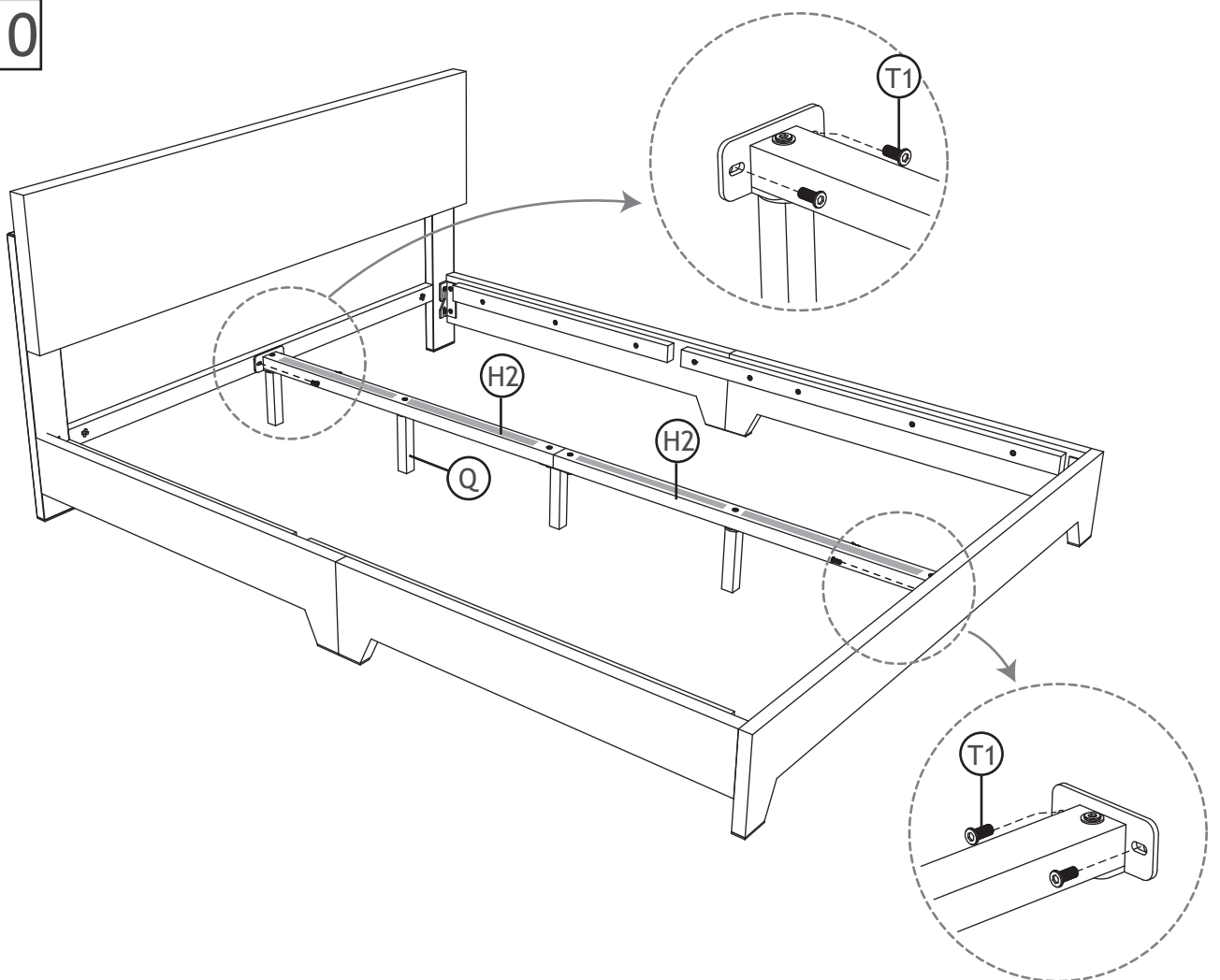


9

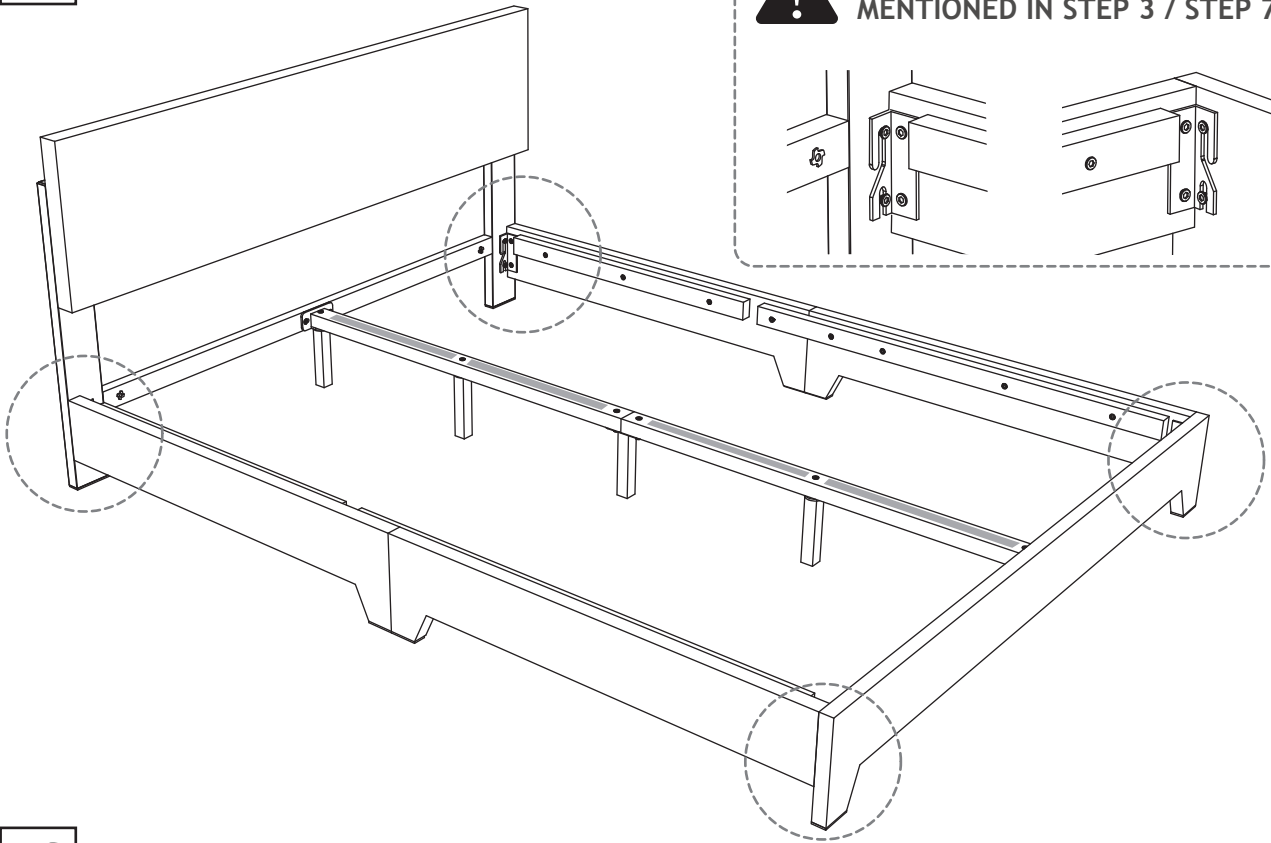
Please note that the side with EVA is upward during installation.



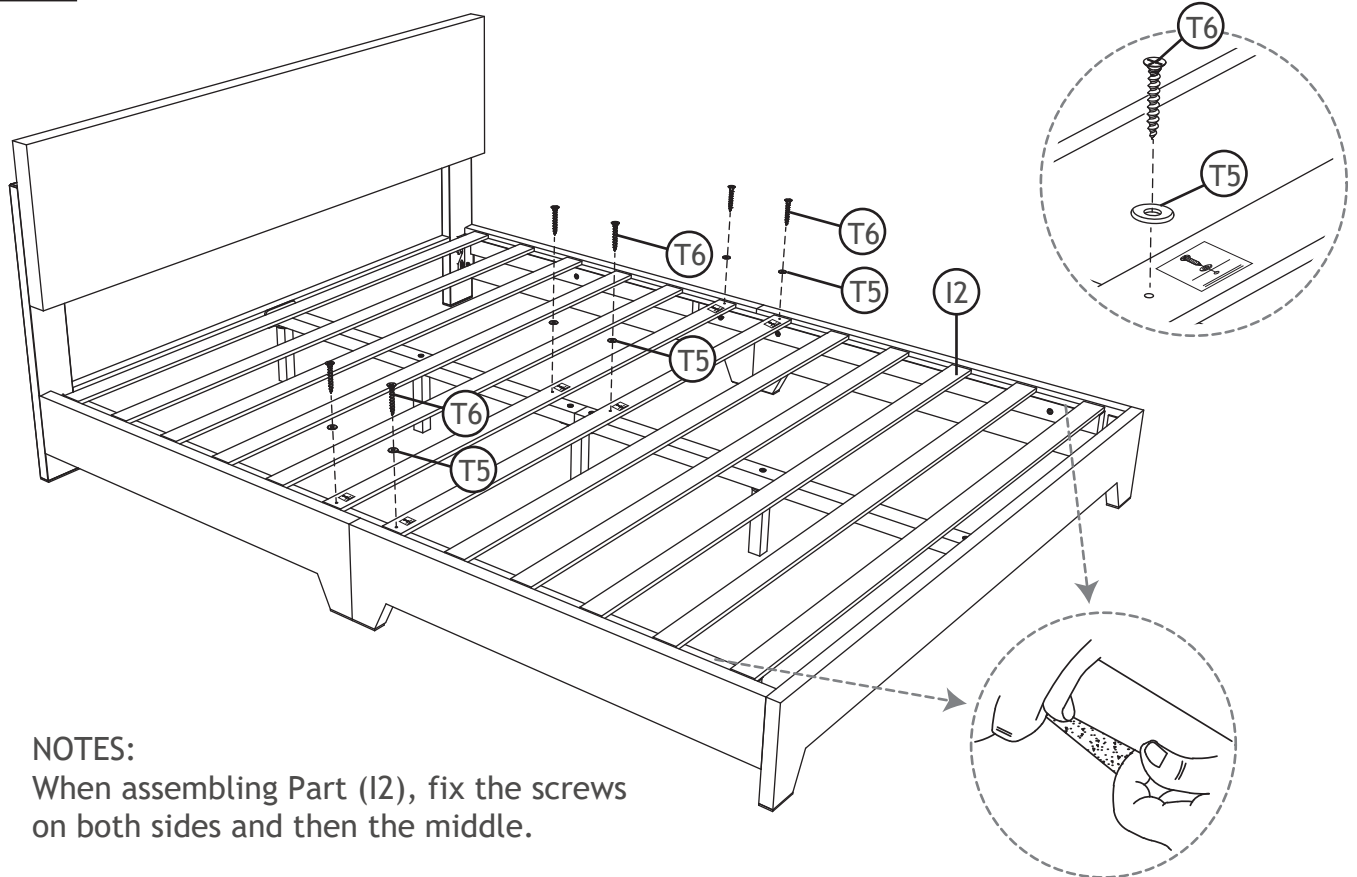
10



11



12



NOTES:  
When assembling Part (I2), fix the screws  
on both sides and then the middle.

Fix the ribs on the  
bed frame with velcro.

Made in china