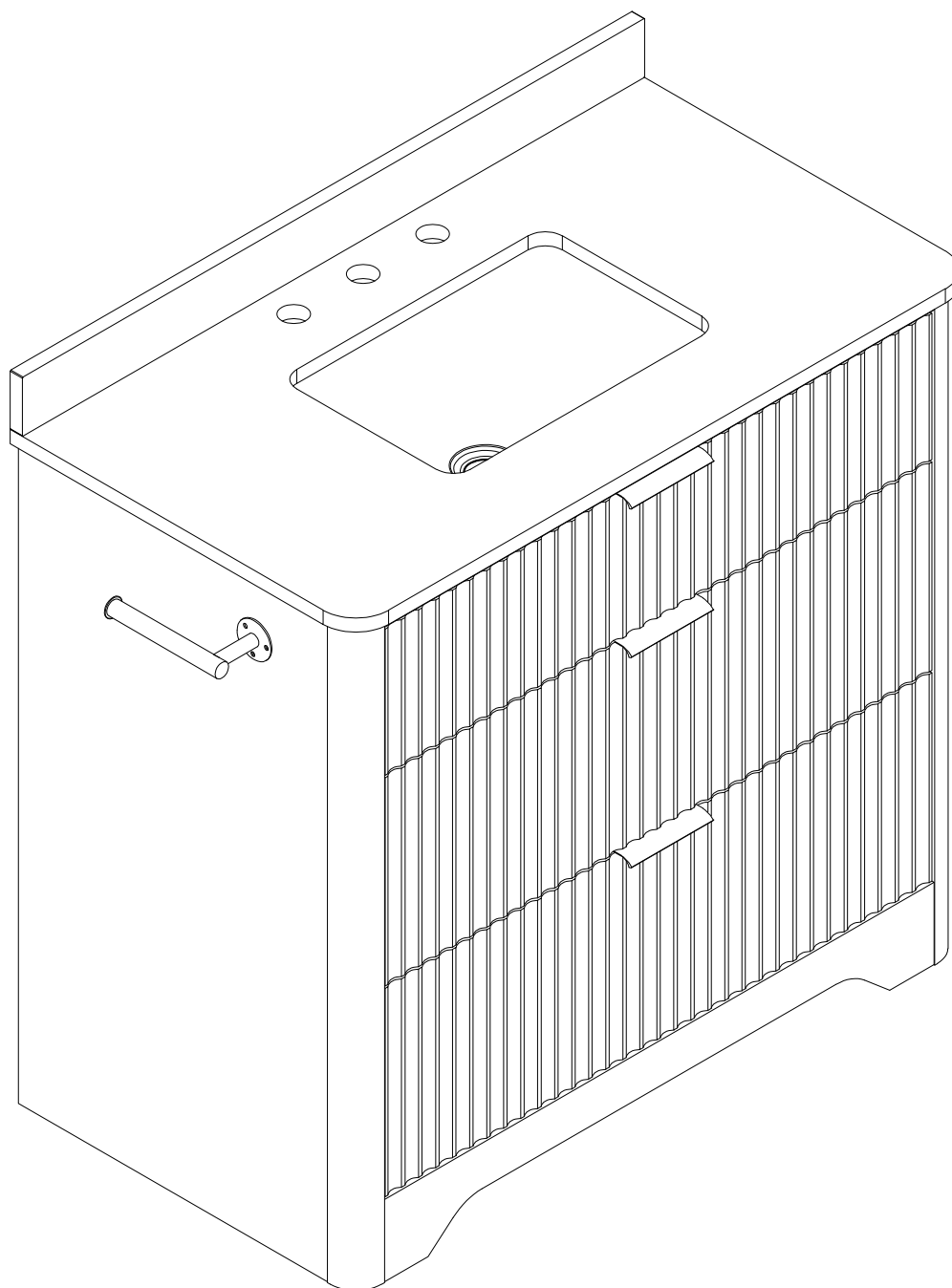




# Assembly Instructions



**30" Bathroom Vanity with Sink**  
**36" Bathroom Vanity with Sink**

**CATALOG:**

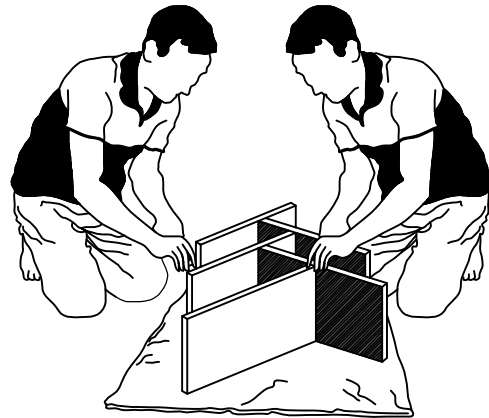
Part List.....4-5.

Accessories List.....6.

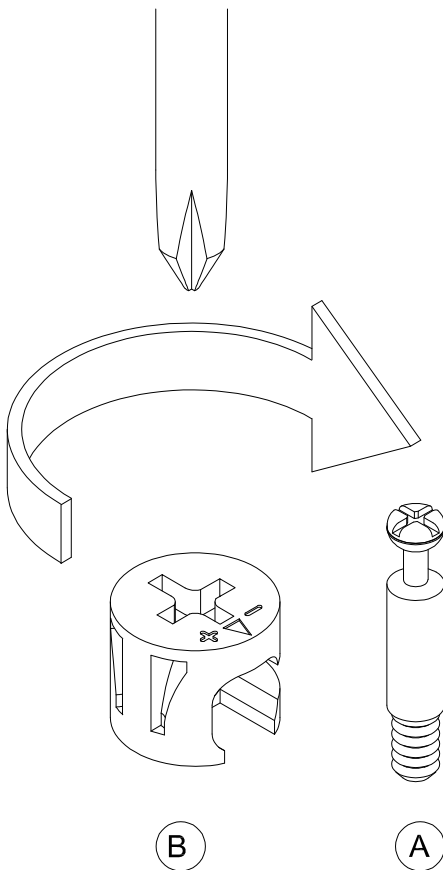
Assemble.....7-30.

**Foreword:**

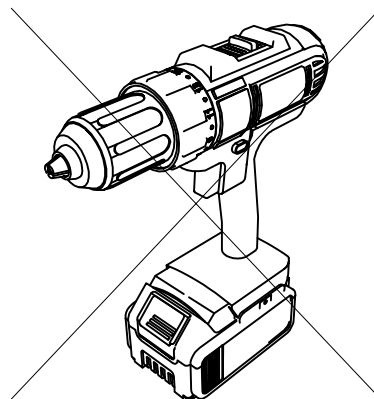
Thank you for choosing our product! We hope you have a good shopping experience!  
We aim to provide a 100% satisfaction product and customer service.



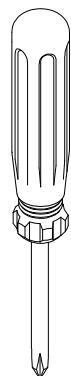
Requires 2 people to assemble  
the product more easily



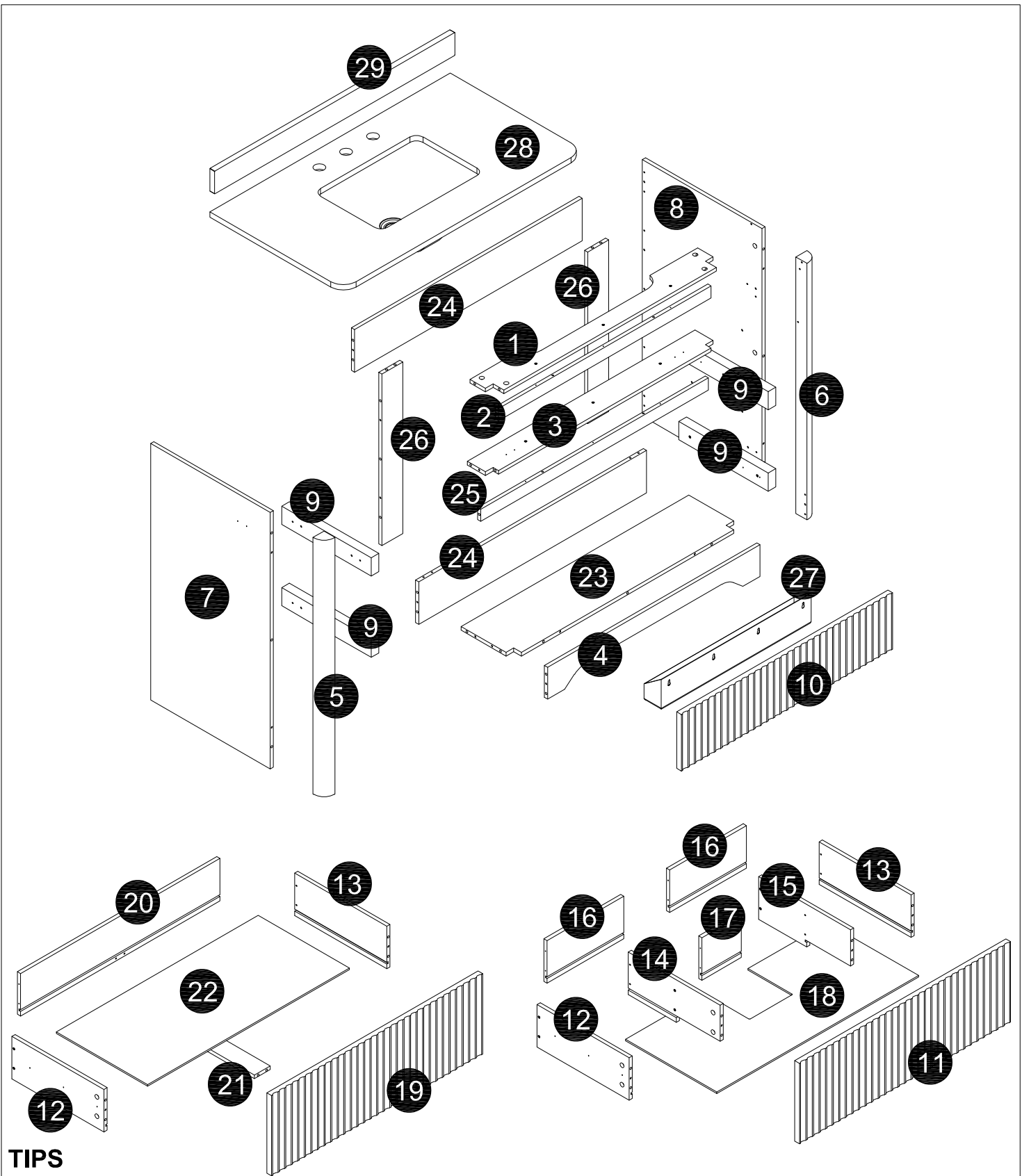
Only slight turn of cams required.  
Do **NOT** overturn.



\*Power Tool **NOT**  
Recommended for **A-B**  
hardware assembly



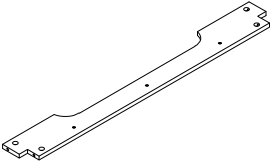
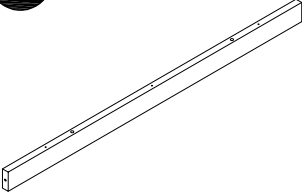
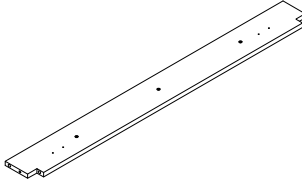
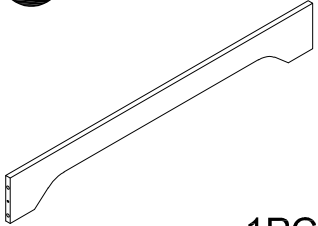


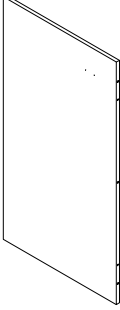
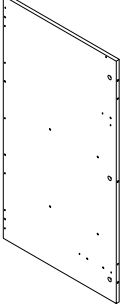
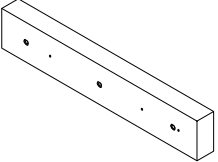
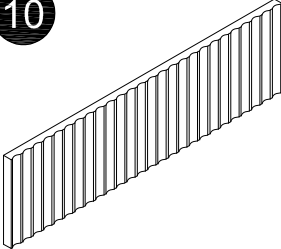
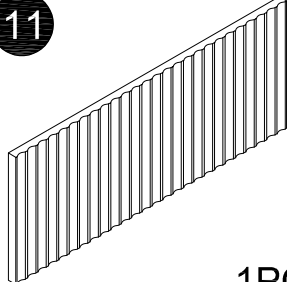
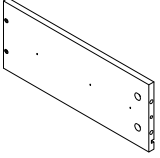
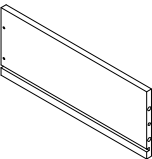
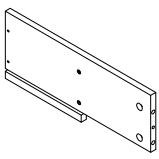
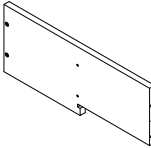
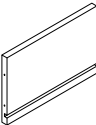
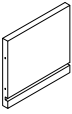
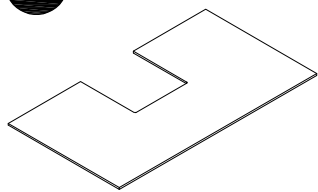
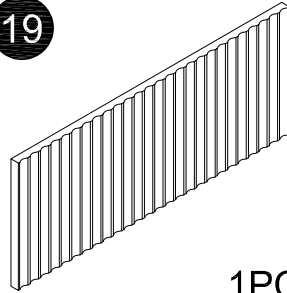
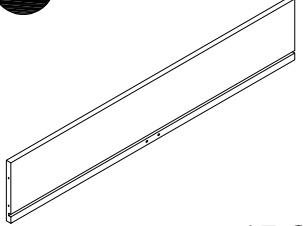
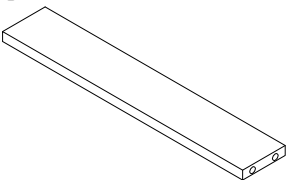
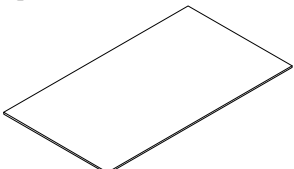
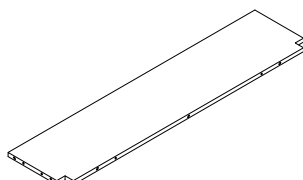
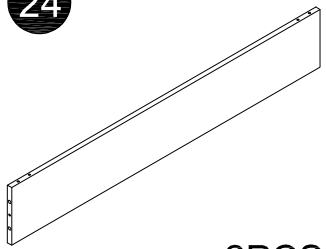
**TOOL REQUIRED**  
Phillips Screwdriver



**TIPS**

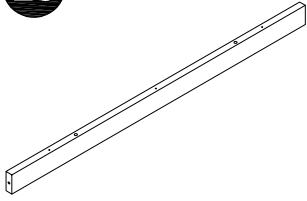
1. When installing the product, use a soft surface (such as carpet or cardboard) to avoid scratching or damaging the surface of the product.
2. Please try to use a manual screwdriver instead of electric screw driver. A manual screwdriver can be used to better control the tightness of the screws.
3. The product is unstable before it is assembled. Please pay attention to the product installation sequence, and align all screws and screw holes before tightening.

# PARTS LIST:

<p><b>1</b></p>  <p>1PC</p>	<p><b>2</b></p>  <p>1PC</p>	<p><b>3</b></p>  <p>1PC</p>	<p><b>4</b></p>  <p>1PC</p>
<p><b>5</b></p>  <p>1PC</p>	<p><b>6</b></p>  <p>1PC</p>	<p><b>7</b></p>  <p>1PC</p>	<p><b>8</b></p>  <p>1PC</p>
<p><b>9</b></p>  <p>4PCS</p>	<p><b>10</b></p>  <p>1PC</p>	<p><b>11</b></p>  <p>1PC</p>	<p><b>12</b></p>  <p>2PCS</p>
<p><b>13</b></p>  <p>2PCS</p>	<p><b>14</b></p>  <p>1PC</p>	<p><b>15</b></p>  <p>1PC</p>	<p><b>16</b></p>  <p>2PCS</p>
<p><b>17</b></p>  <p>1PC</p>	<p><b>18</b></p>  <p>1PC</p>	<p><b>19</b></p>  <p>1PC</p>	<p><b>20</b></p>  <p>1PC</p>
<p><b>21</b></p>  <p>1PC</p>	<p><b>22</b></p>  <p>1PC</p>	<p><b>23</b></p>  <p>1PC</p>	<p><b>24</b></p>  <p>2PCS</p>

# PARTS LIST:

25



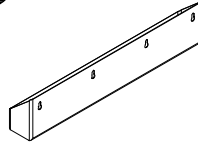
1PC

26



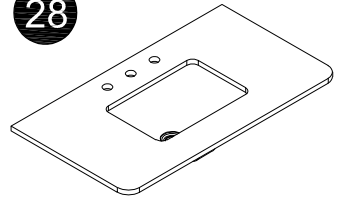
2PCS

27



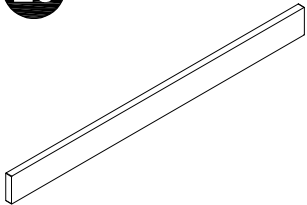
1PC

28



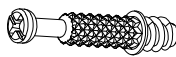
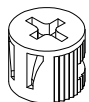
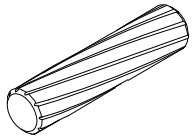
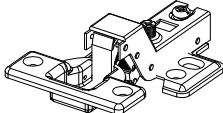
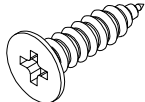
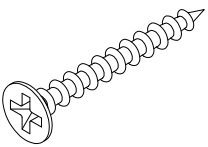
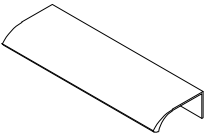
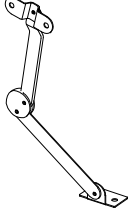
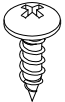
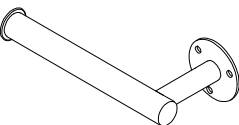
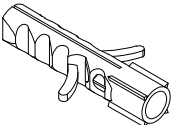
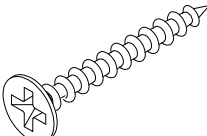
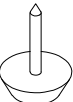
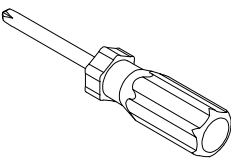
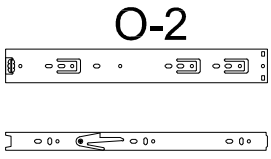
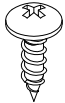
1PC

29



1PC

# Part List

<p><b>A</b></p>  <p>Ø6x34mm      x67+2</p>	<p><b>B</b></p>  <p>Ø15x9.5mm      x67+2</p>	<p><b>C</b></p>  <p>Ø6x30mm      x40+1</p>	<p><b>D</b></p>  <p>Ø35mm      x2</p>
<p><b>E</b></p>  <p>Ø4x12mm      x18</p>	<p><b>F</b></p>  <p>Ø8*35mm      x34+1</p>	<p><b>G</b></p>  <p>x3</p>	<p><b>H</b></p>  <p>x1</p>
<p><b>I</b></p>  <p>Ø4x10mm      x24+1</p>	<p><b>J</b></p>  <p>x1</p>	<p><b>K</b></p>  <p>Ø8*40mm      x2</p>	<p><b>L</b></p>  <p>Ø8*50mm      x2</p>
<p><b>M</b></p>  <p>Ø13x4mm      x4</p>	<p><b>N</b></p>  <p>x1</p>	<p><b>O</b></p>  <p>14"x45mm      x2 set</p>	<p><b>P</b></p>  <p>Ø4x12mm      x11</p>

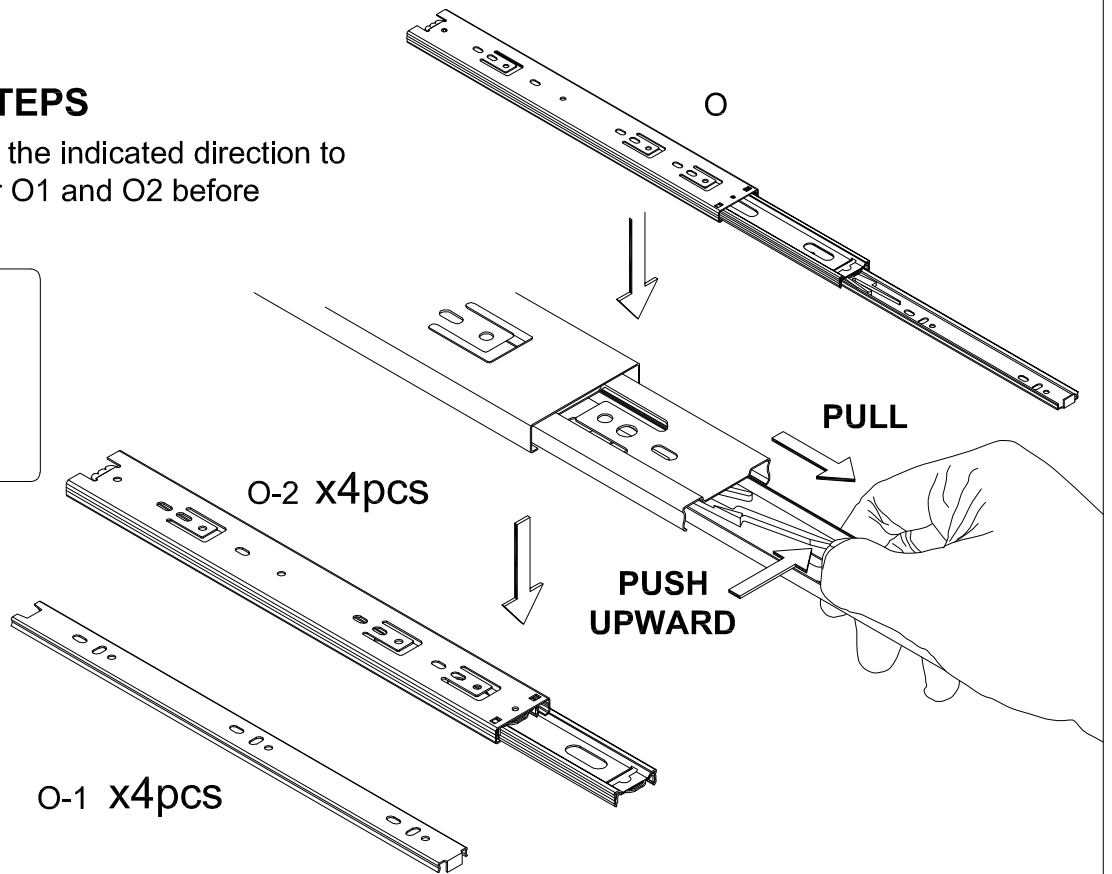
## STEP 1

### INSTALLATION STEPS

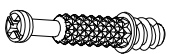
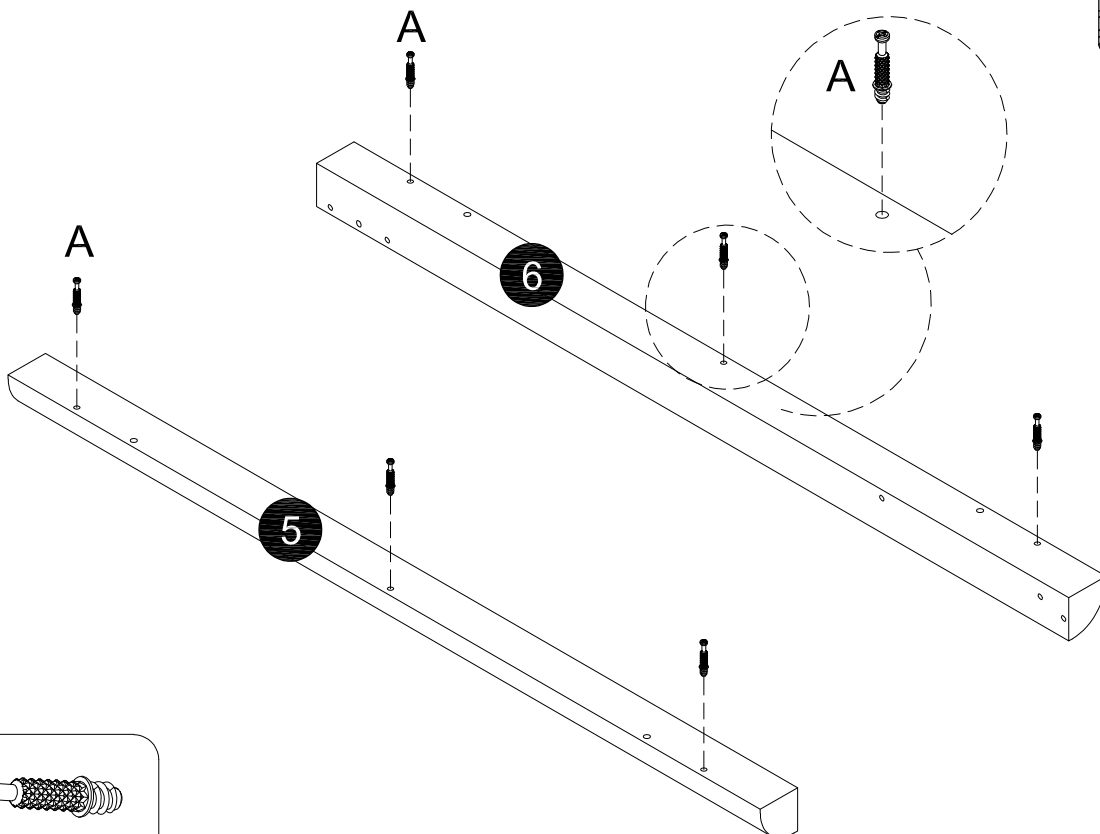
Press the plastic part in the indicated direction to separate drawer runner O1 and O2 before assembling.

**REMARK:**

Please grip the O1 part while sliding the O2 part

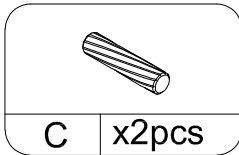
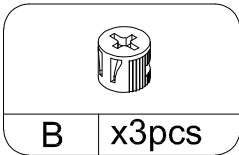
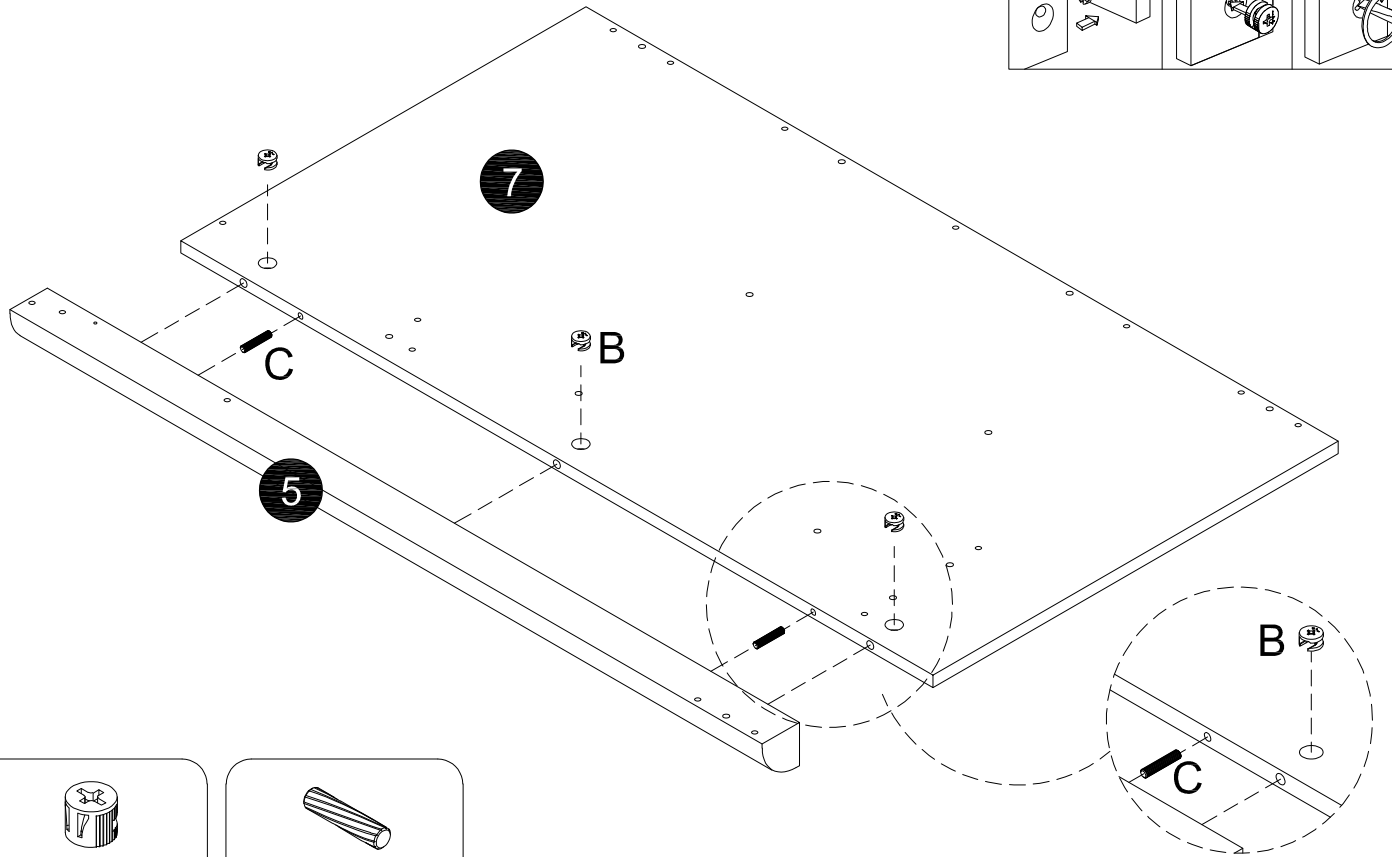
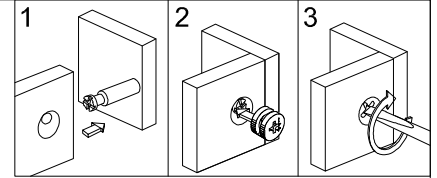


## STEP 2

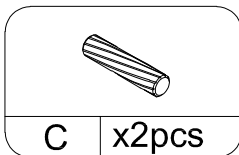
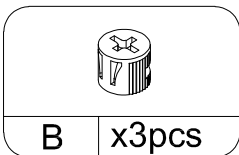
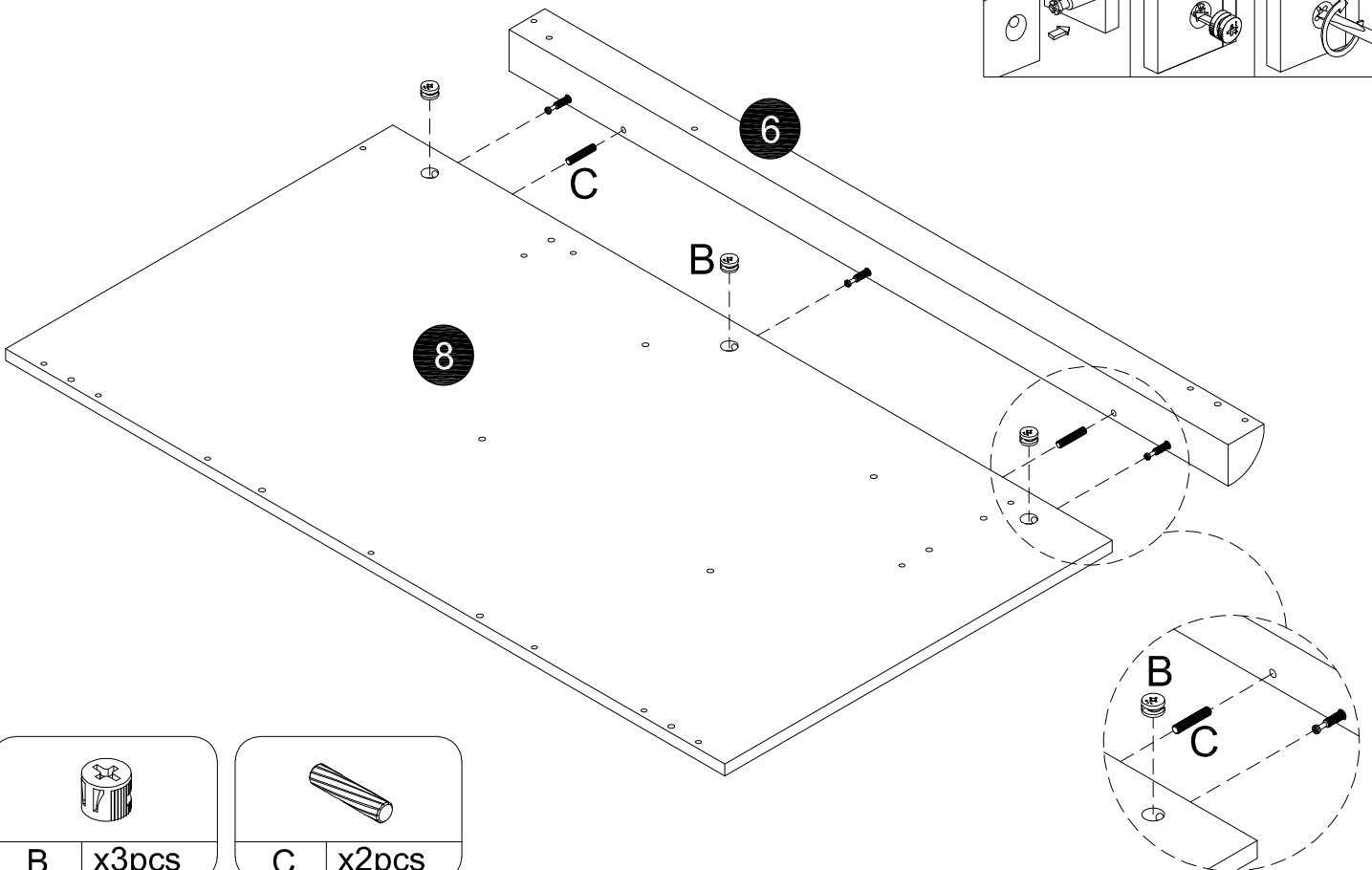
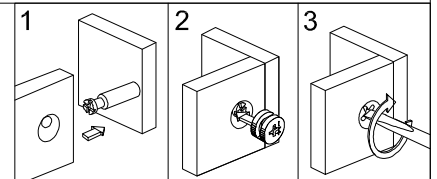


A x6pcs

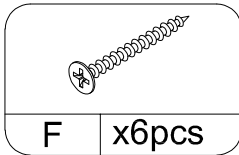
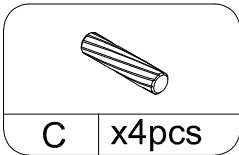
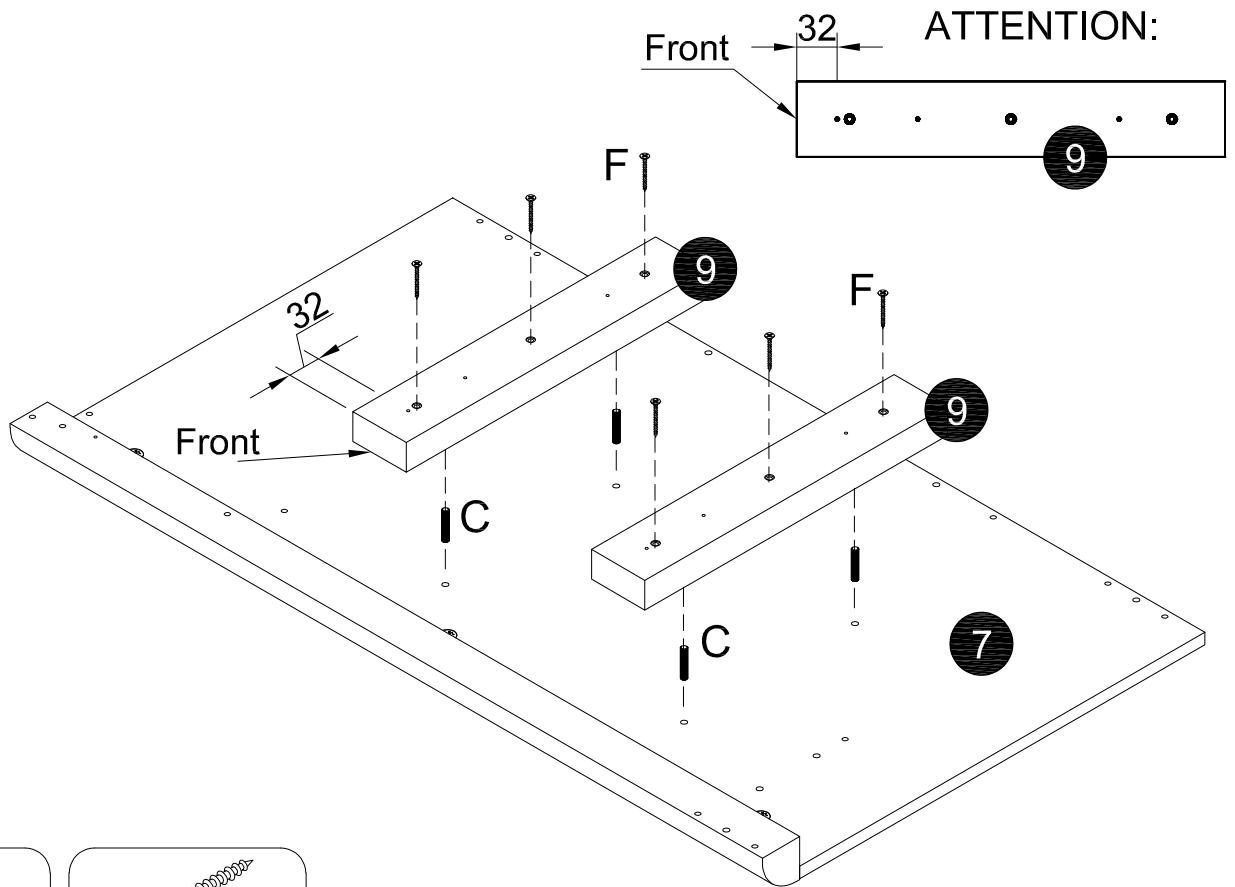
### STEP 3



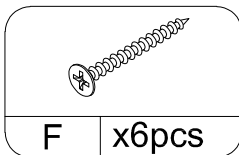
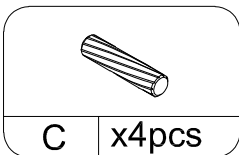
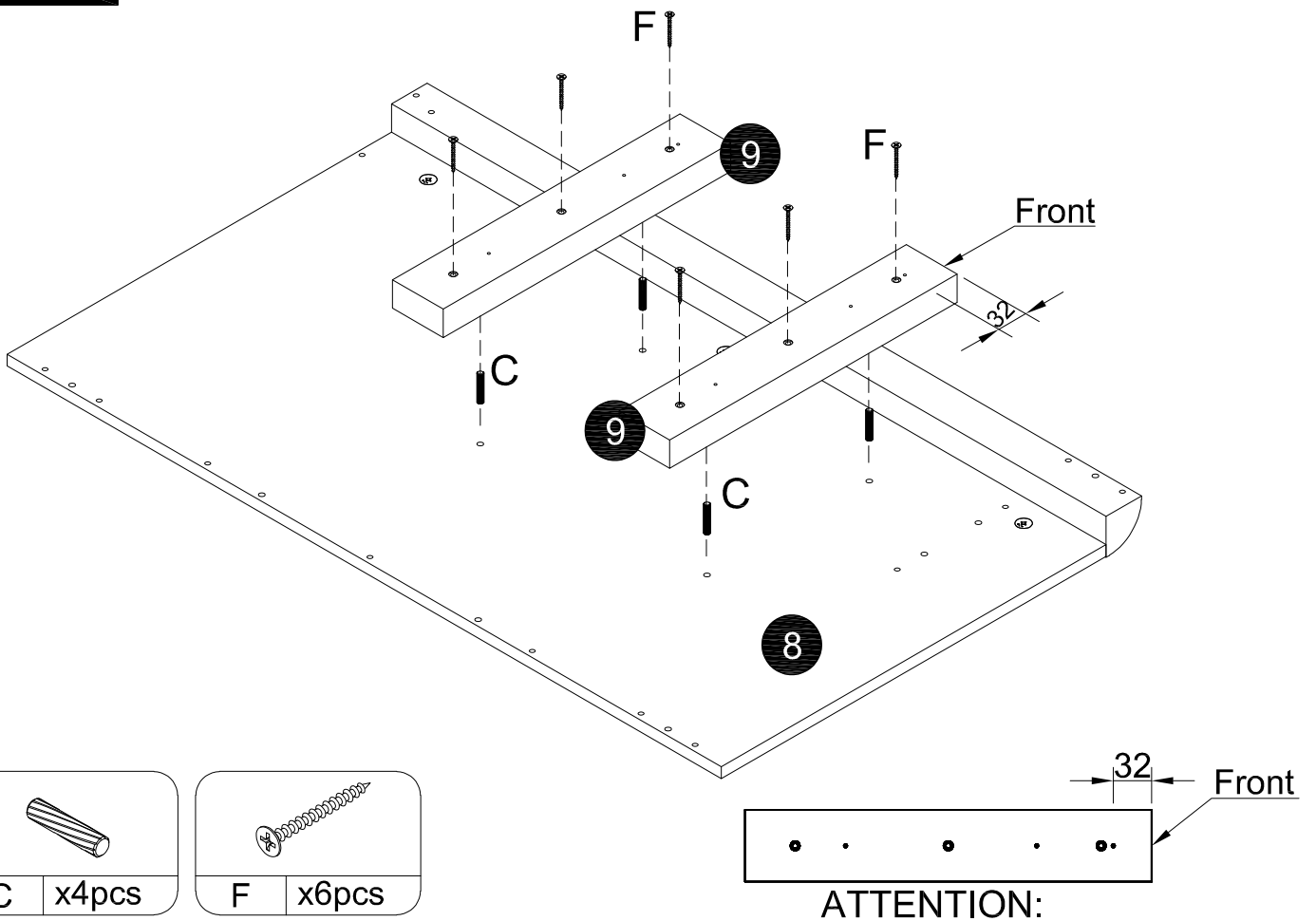
### STEP 4



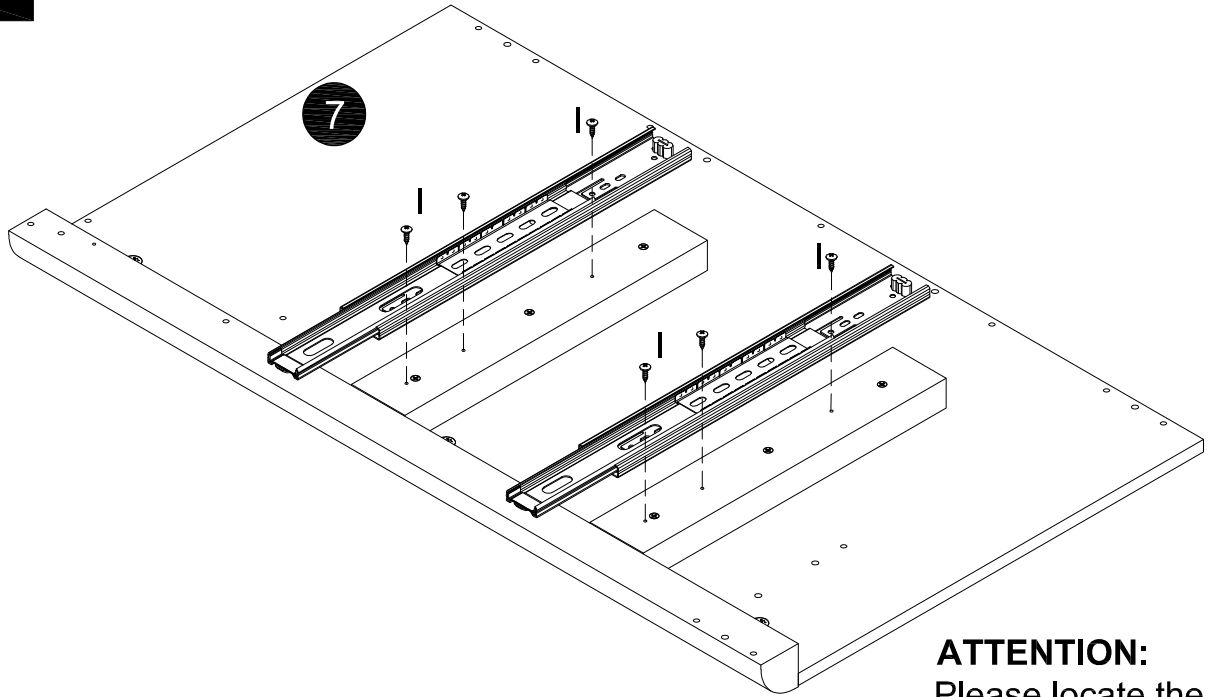
**STEP 5**



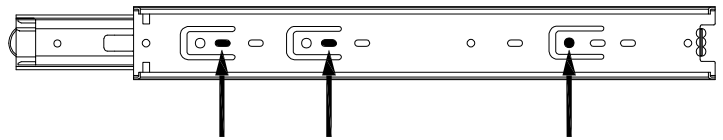
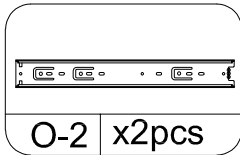
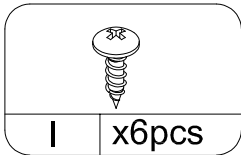
**STEP 6**



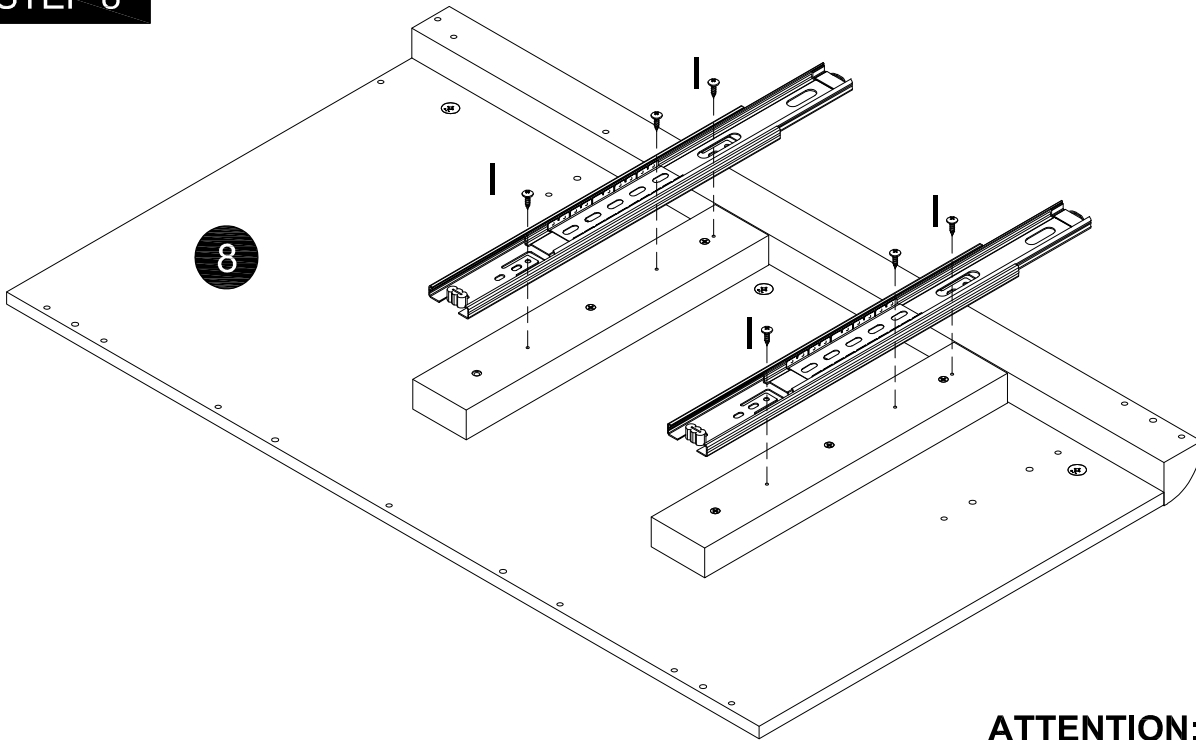
# STEP 7



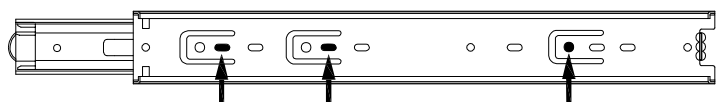
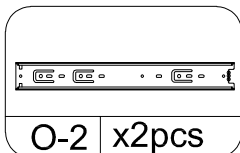
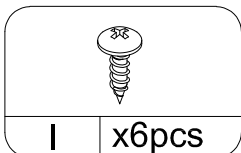
**ATTENTION:**  
Please locate the holes  
on the back of part **O-2**



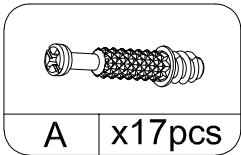
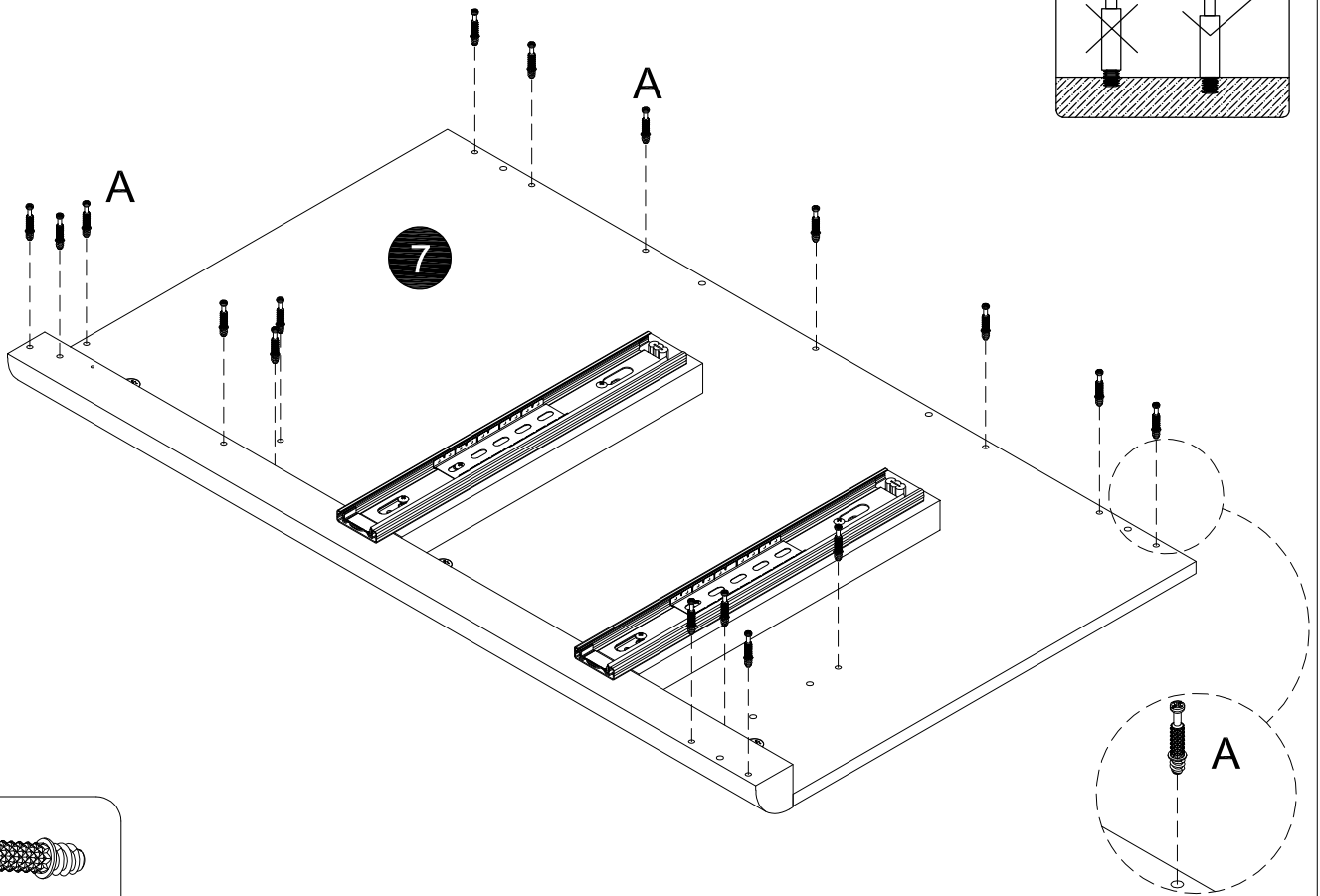
# STEP 8



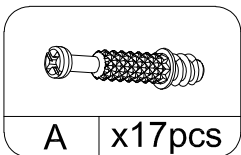
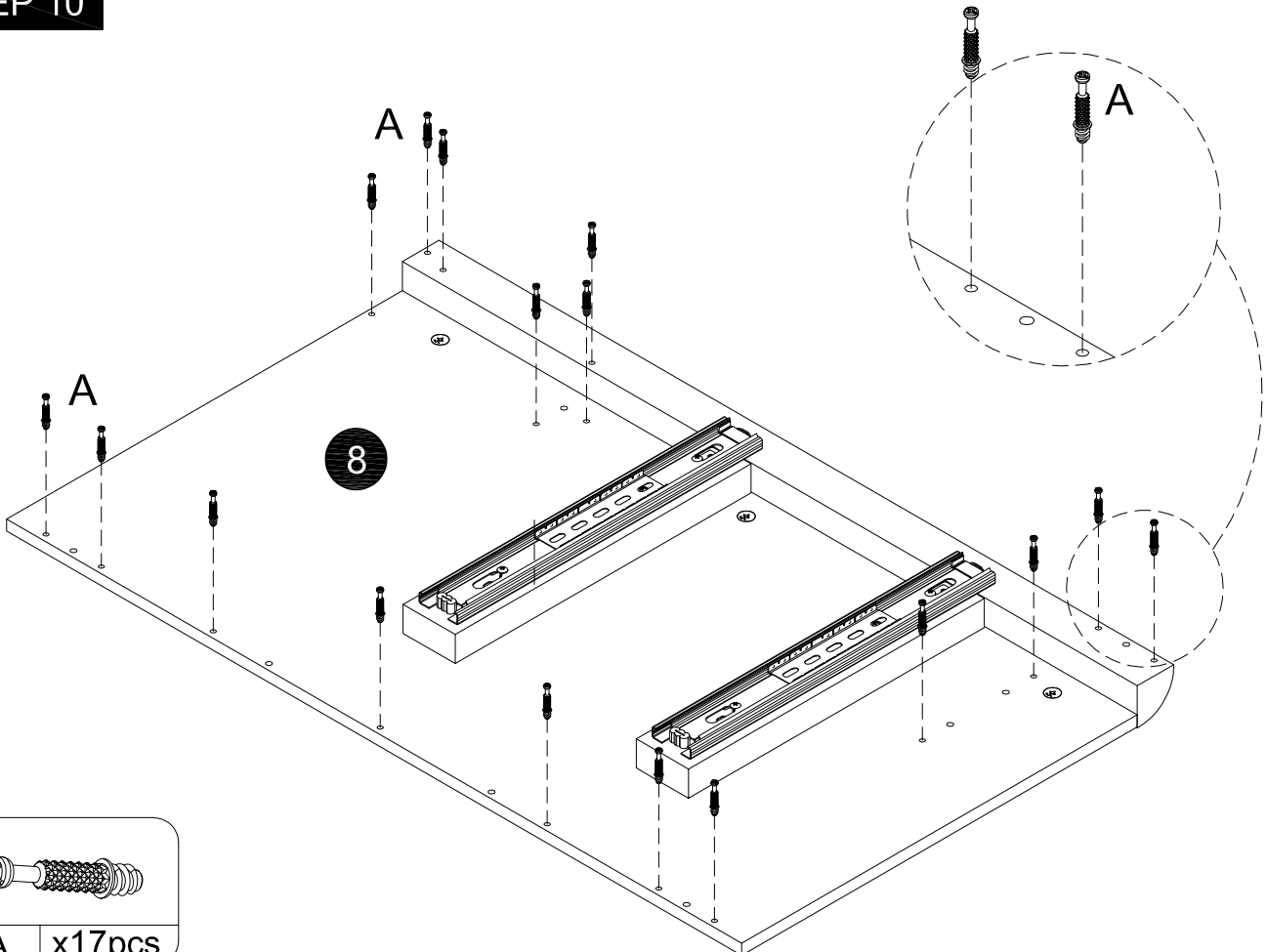
**ATTENTION:**  
Please locate the holes  
on the back of part **O-2**



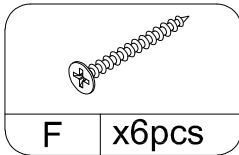
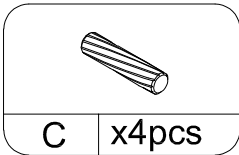
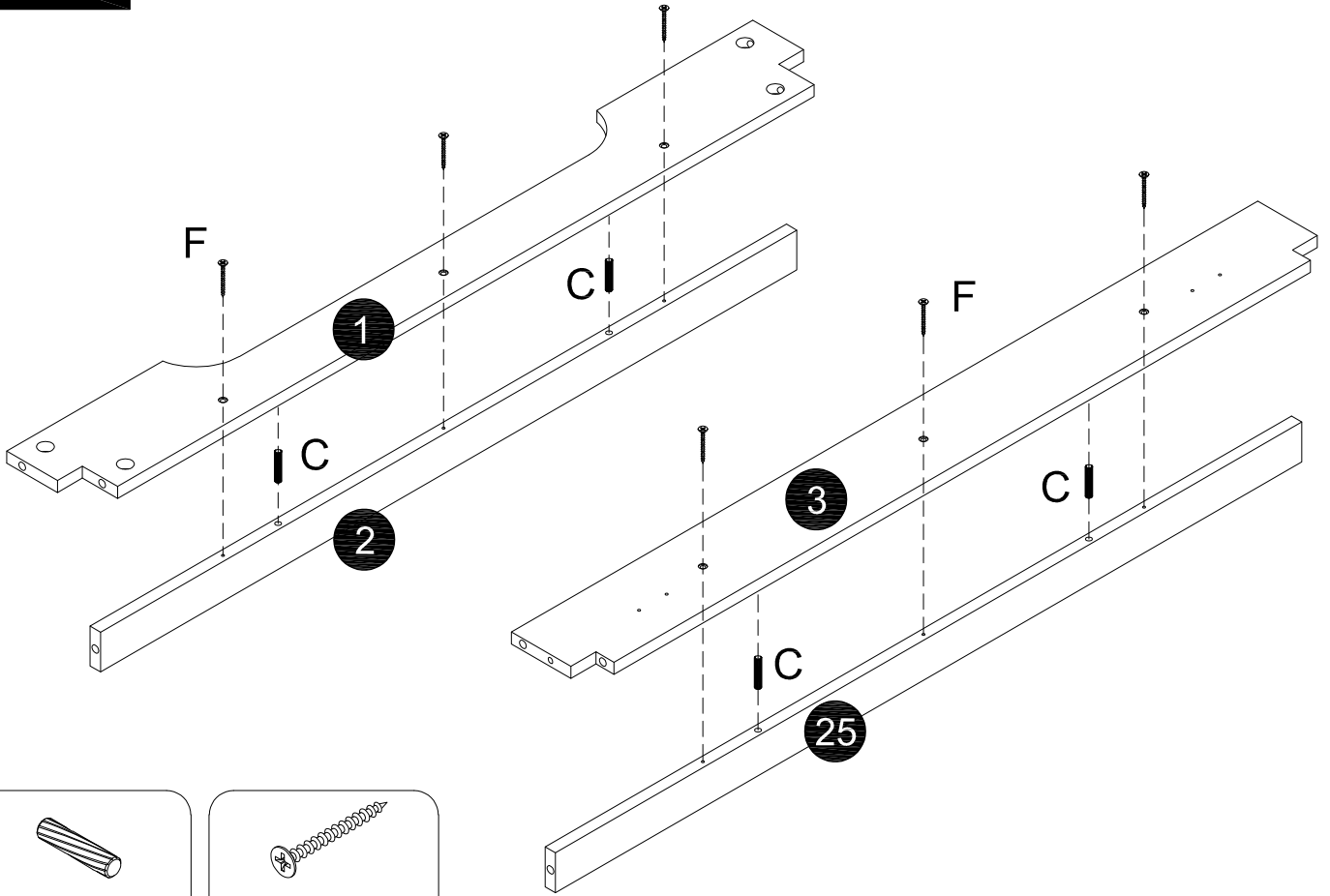
**STEP 9**



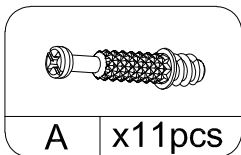
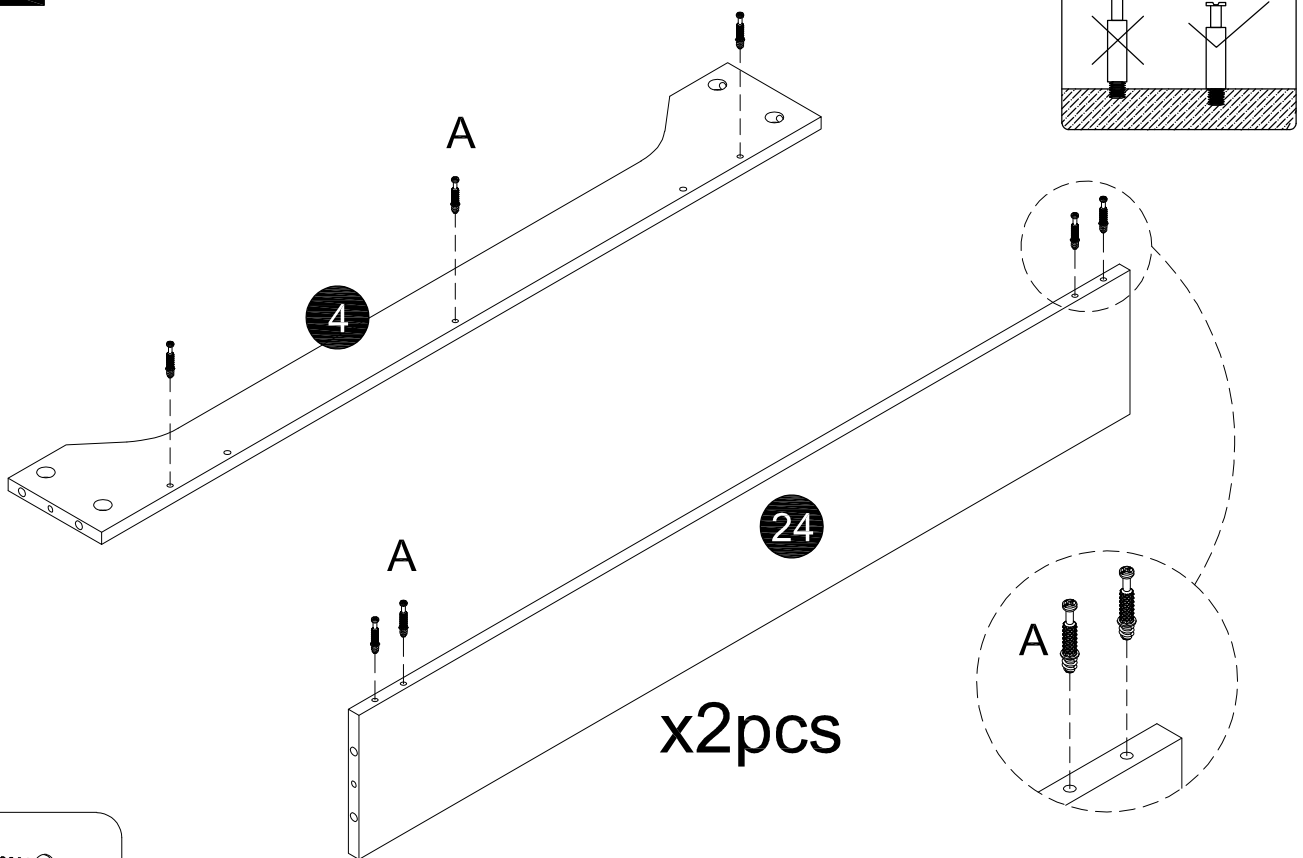
**STEP 10**



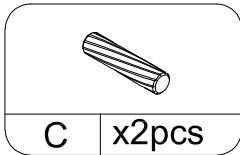
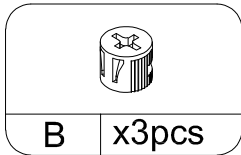
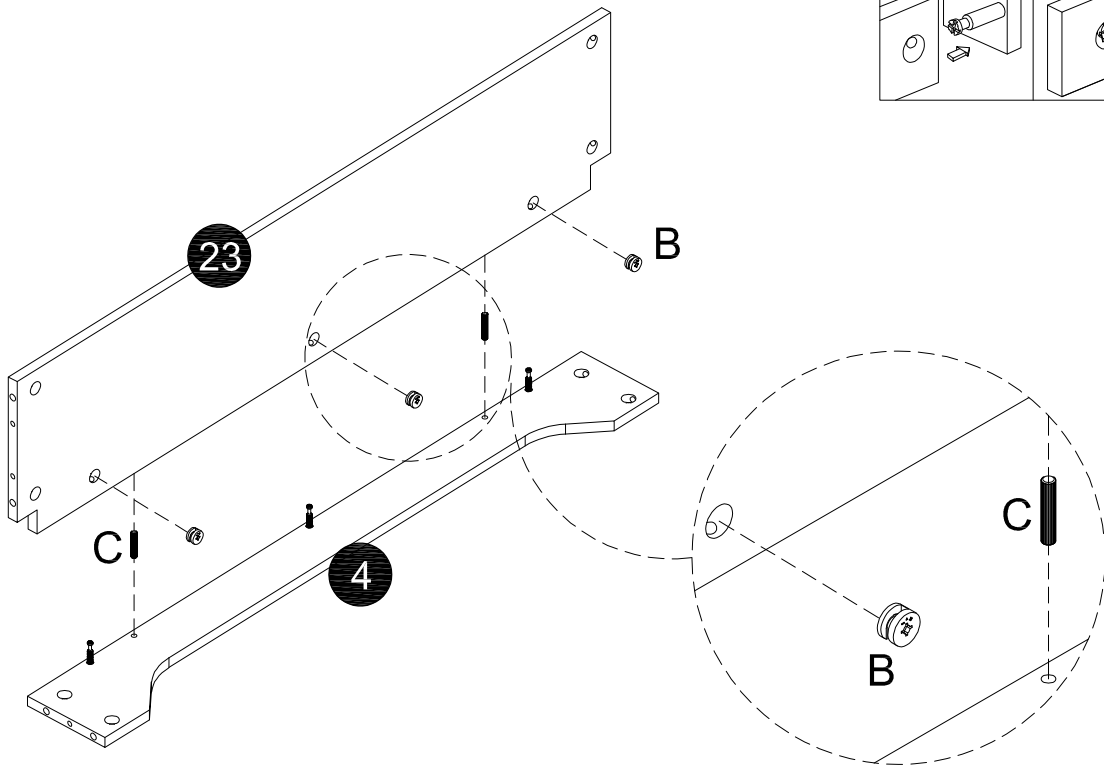
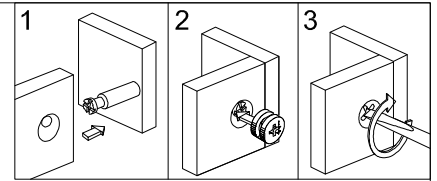
**STEP 11**



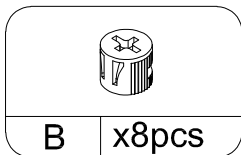
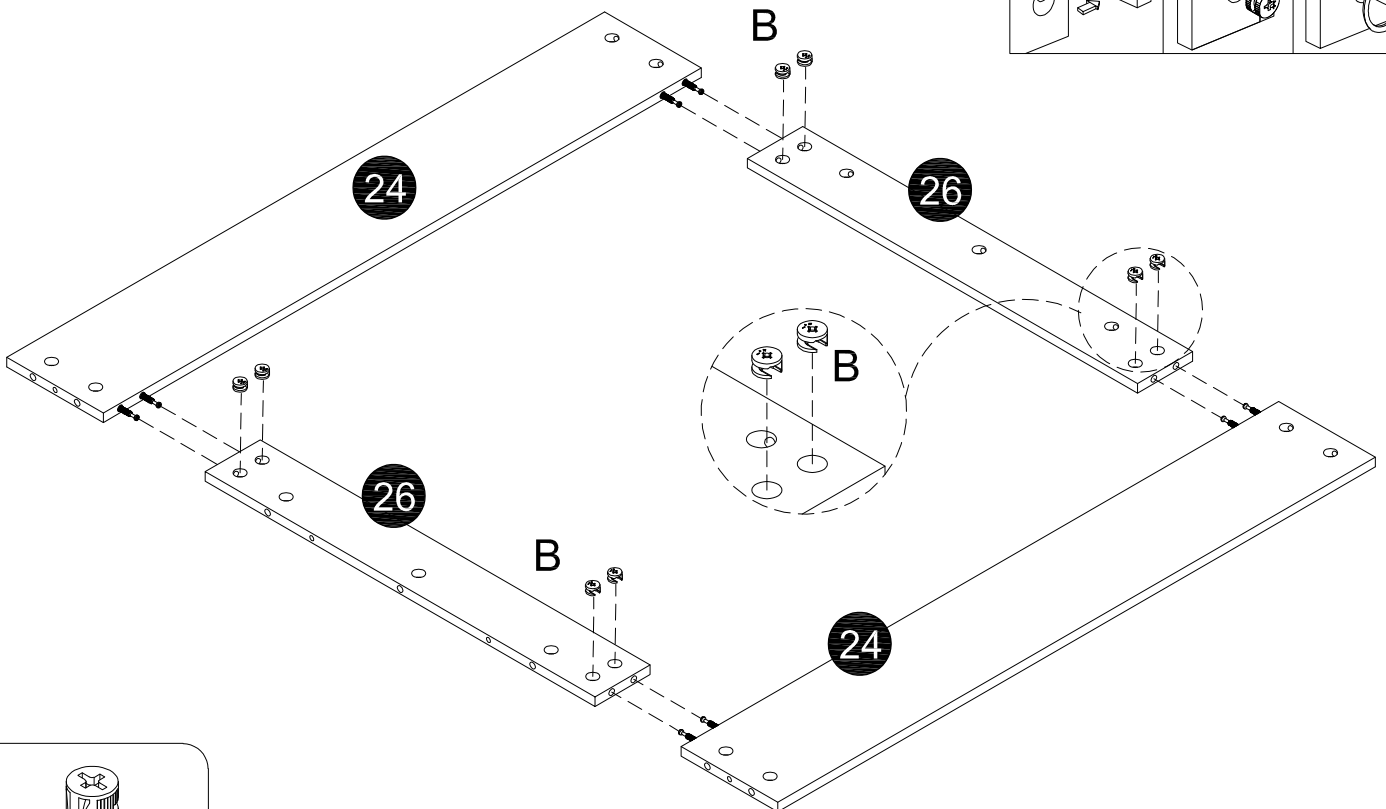
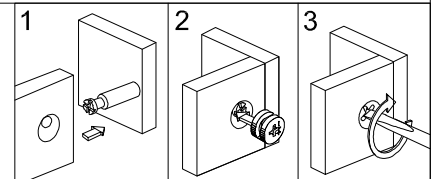
**STEP 12**



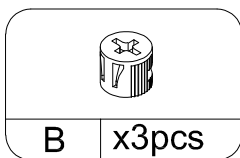
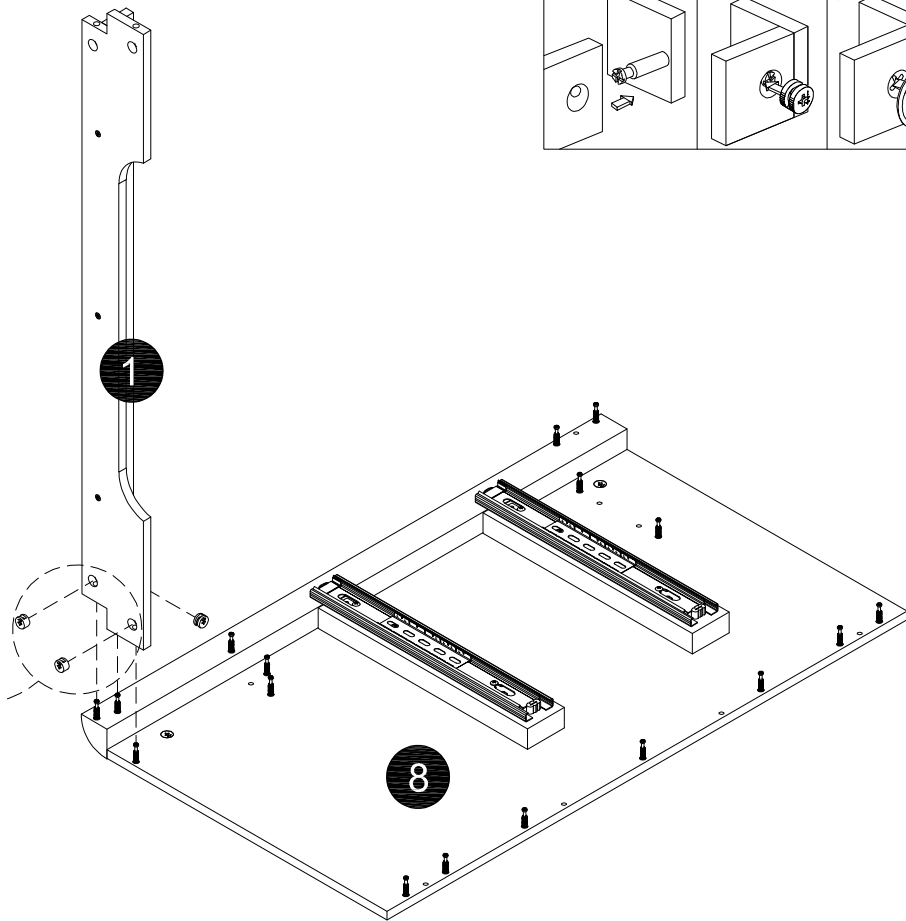
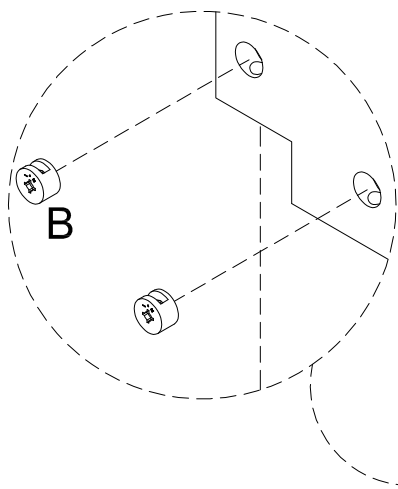
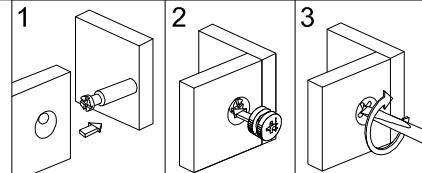
**STEP 13**



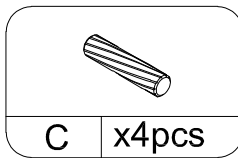
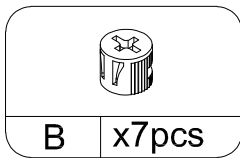
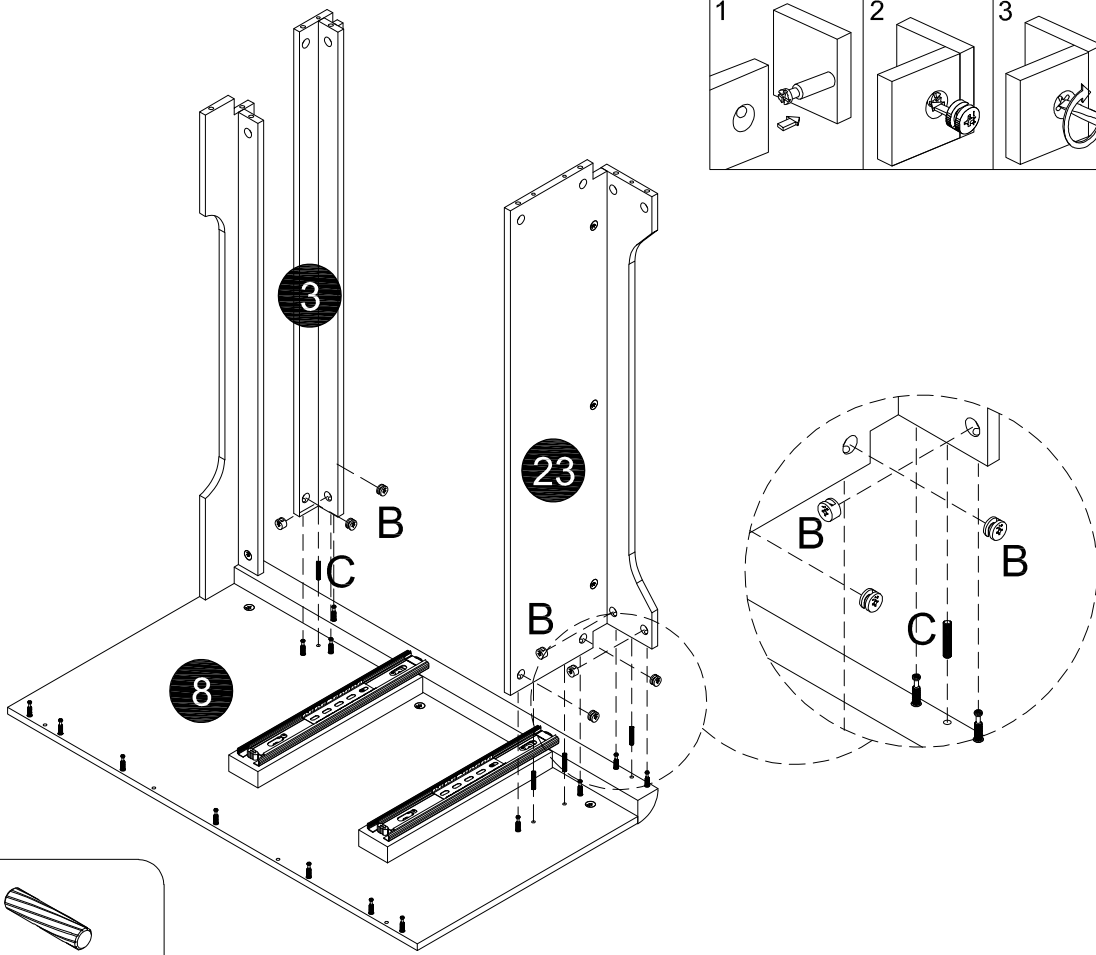
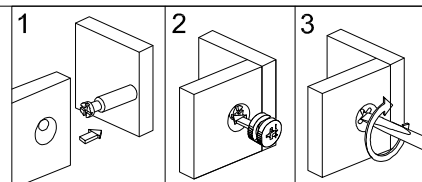
**STEP 14**



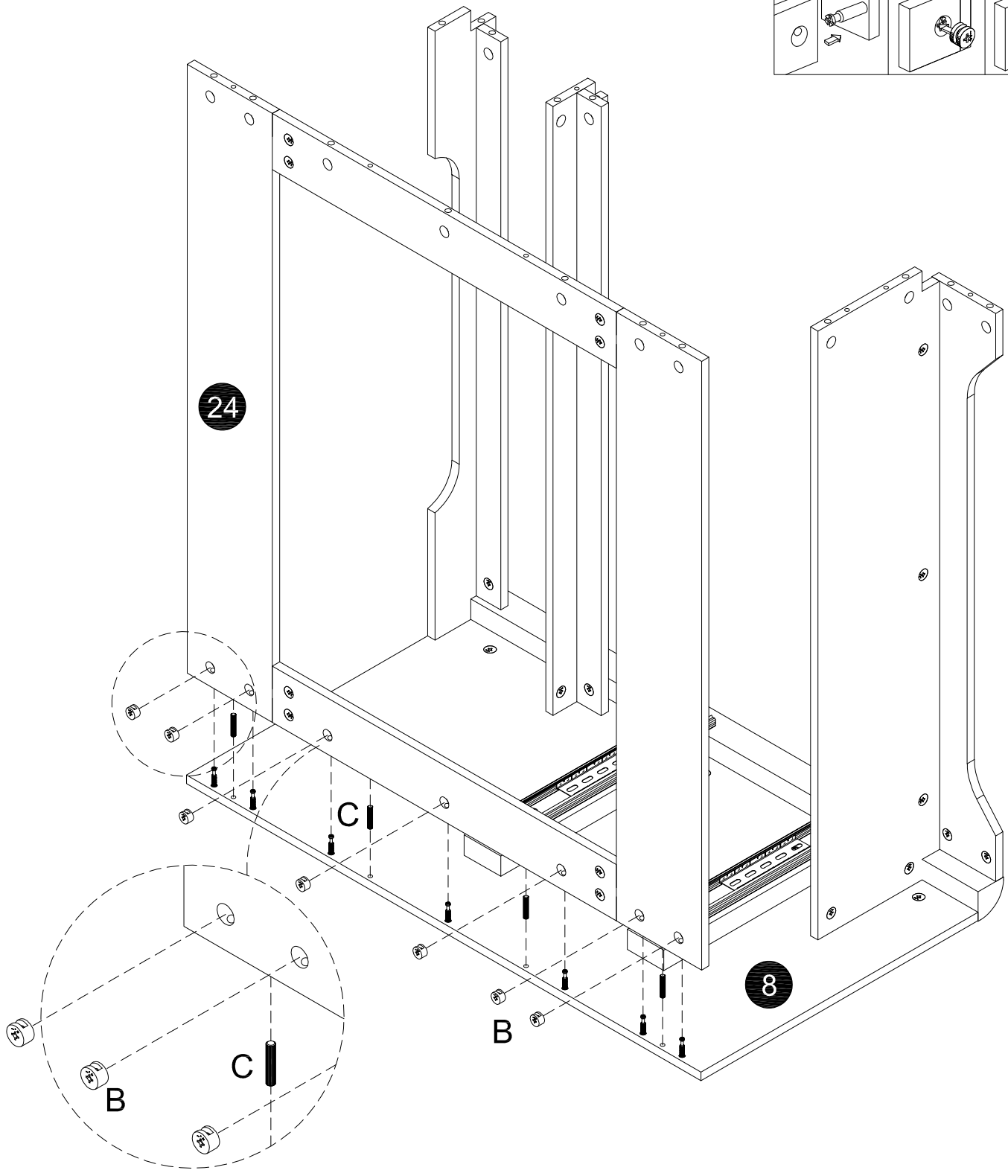
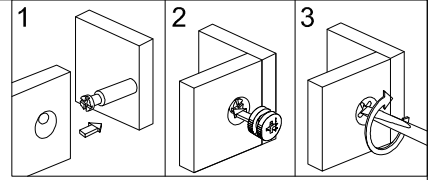
# STEP 15




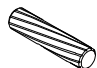
# STEP 16



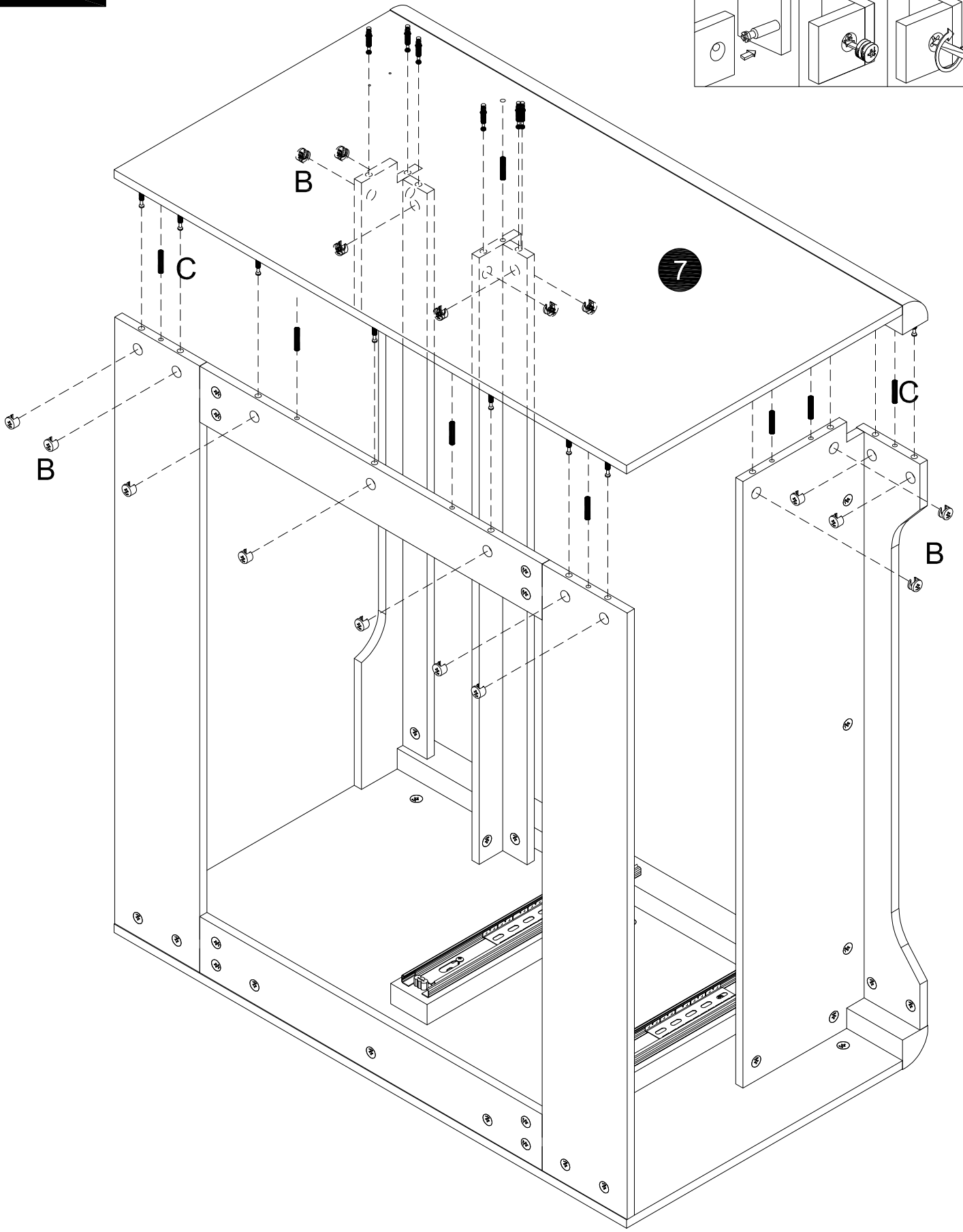
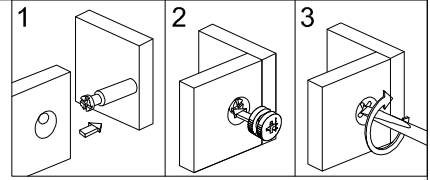
**STEP 17**

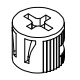


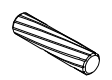

<b>B</b> x7pcs


<b>C</b> x4pcs

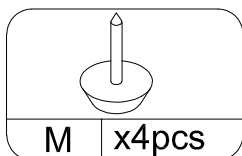
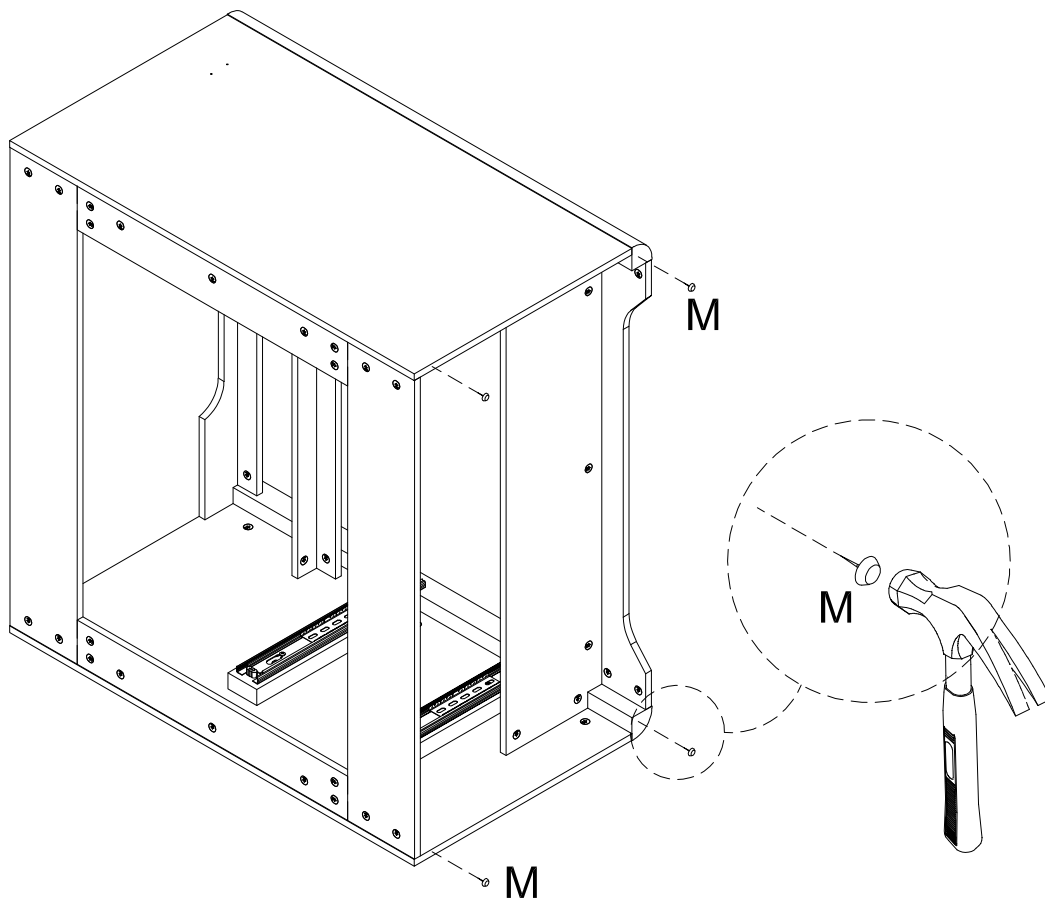
**STEP 18**



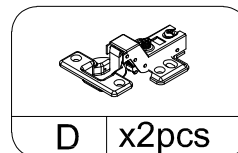
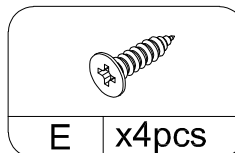
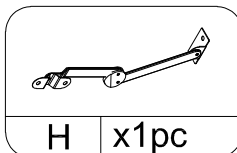
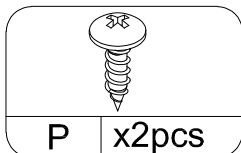
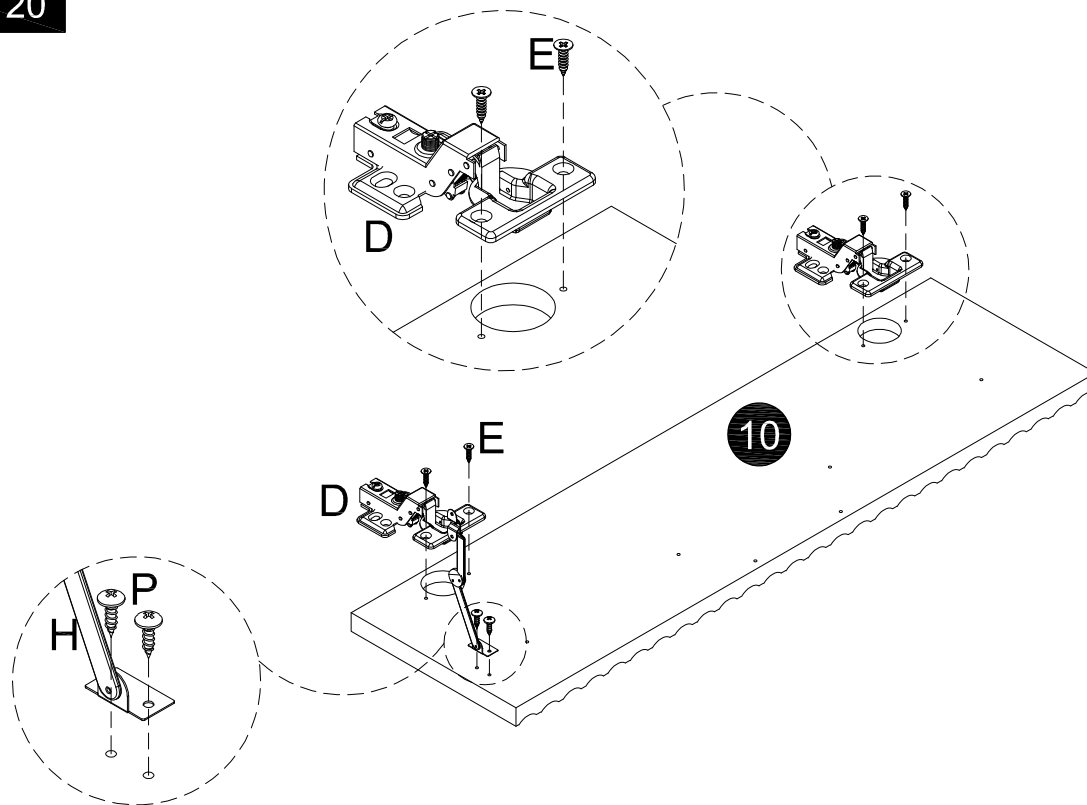

<b>B</b> x17pcs


<b>C</b> x8pcs

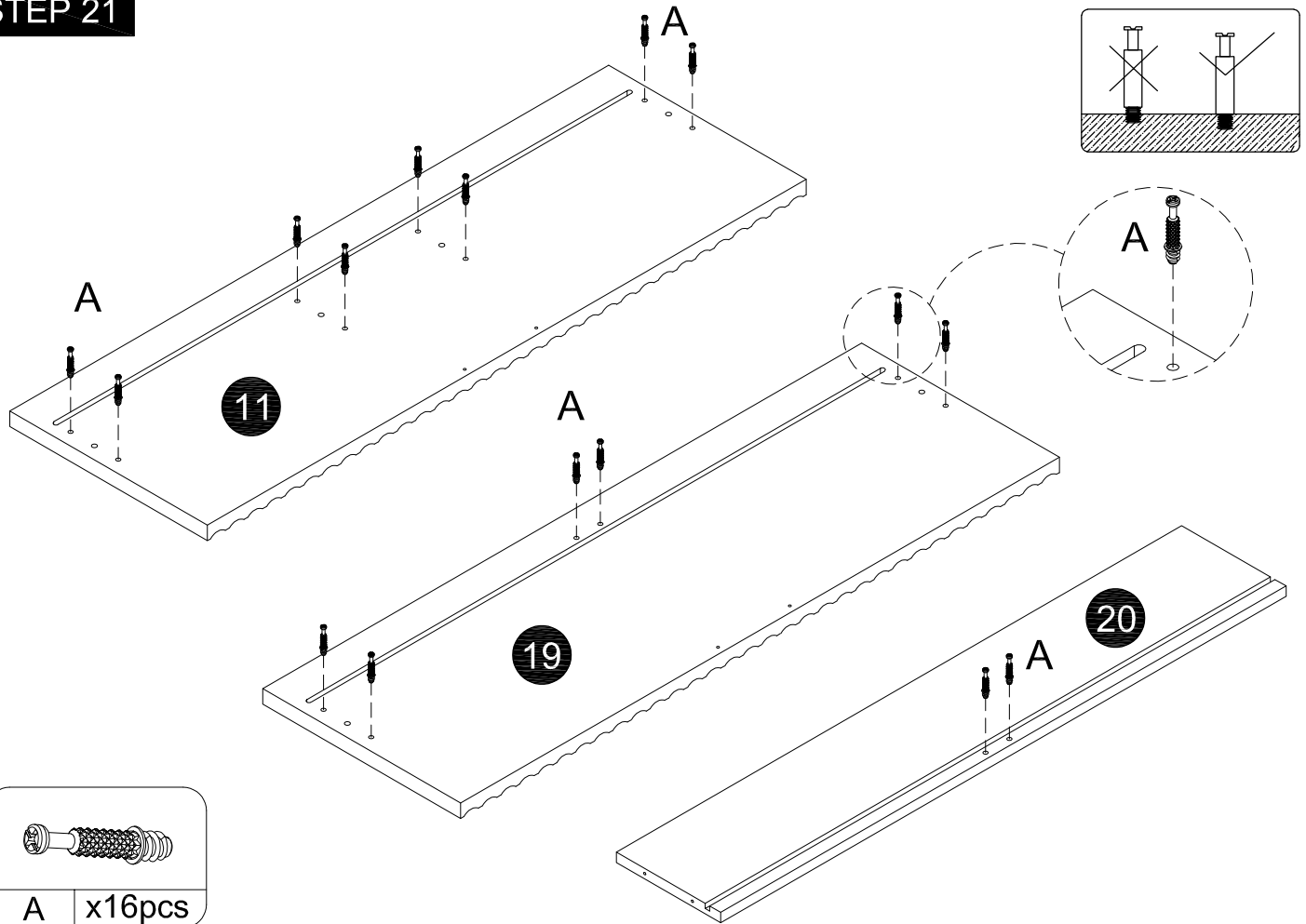
**STEP 19**



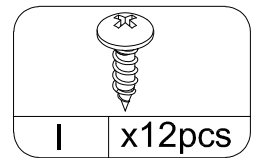
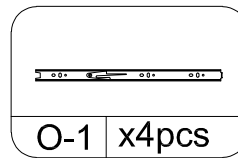
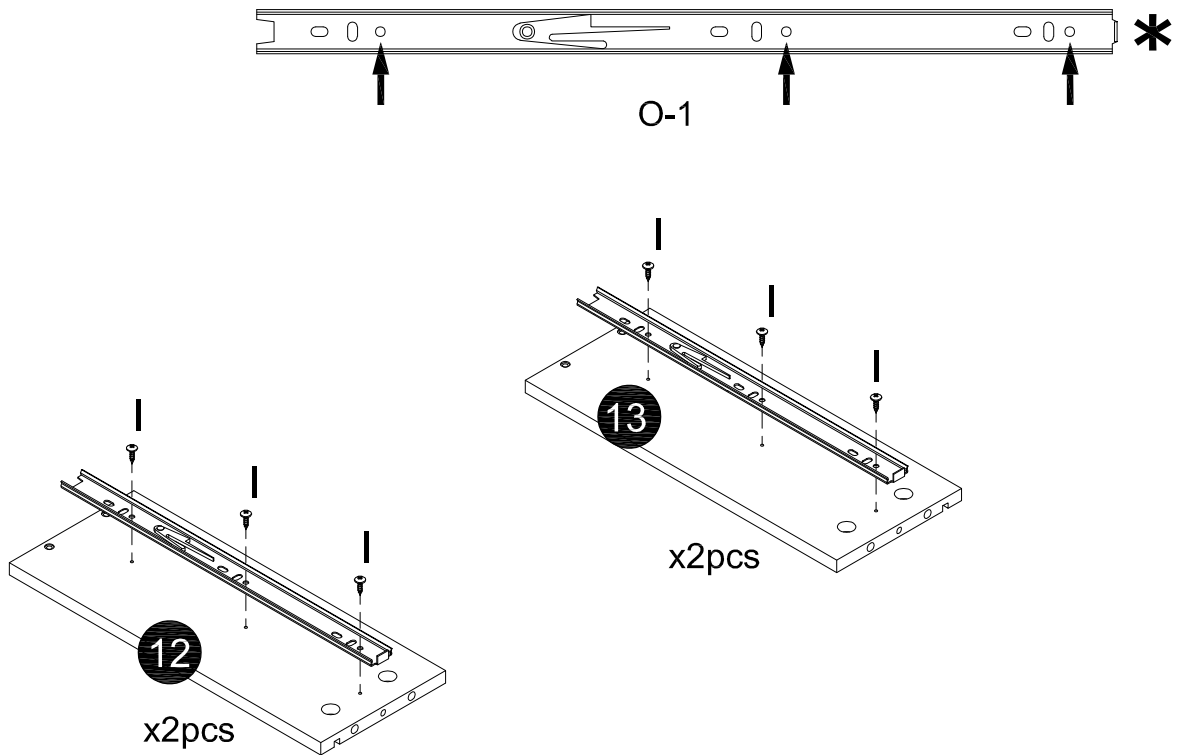
**STEP 20**



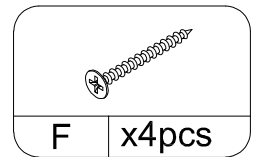
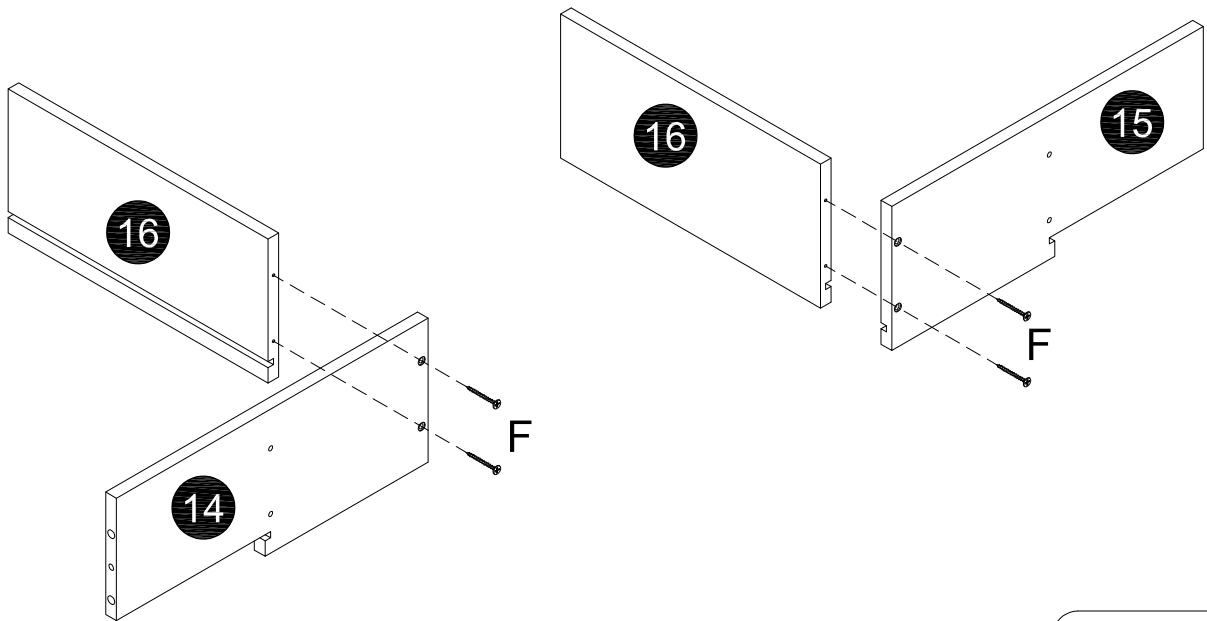
**STEP 21**



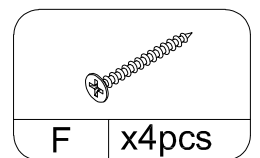
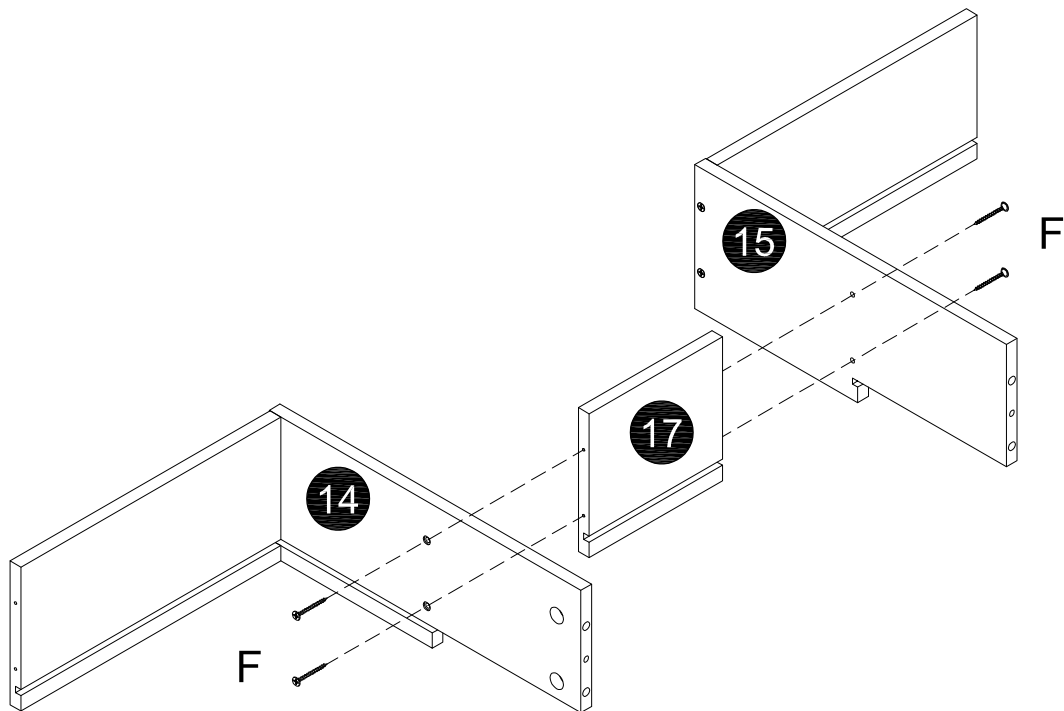
**STEP 22**



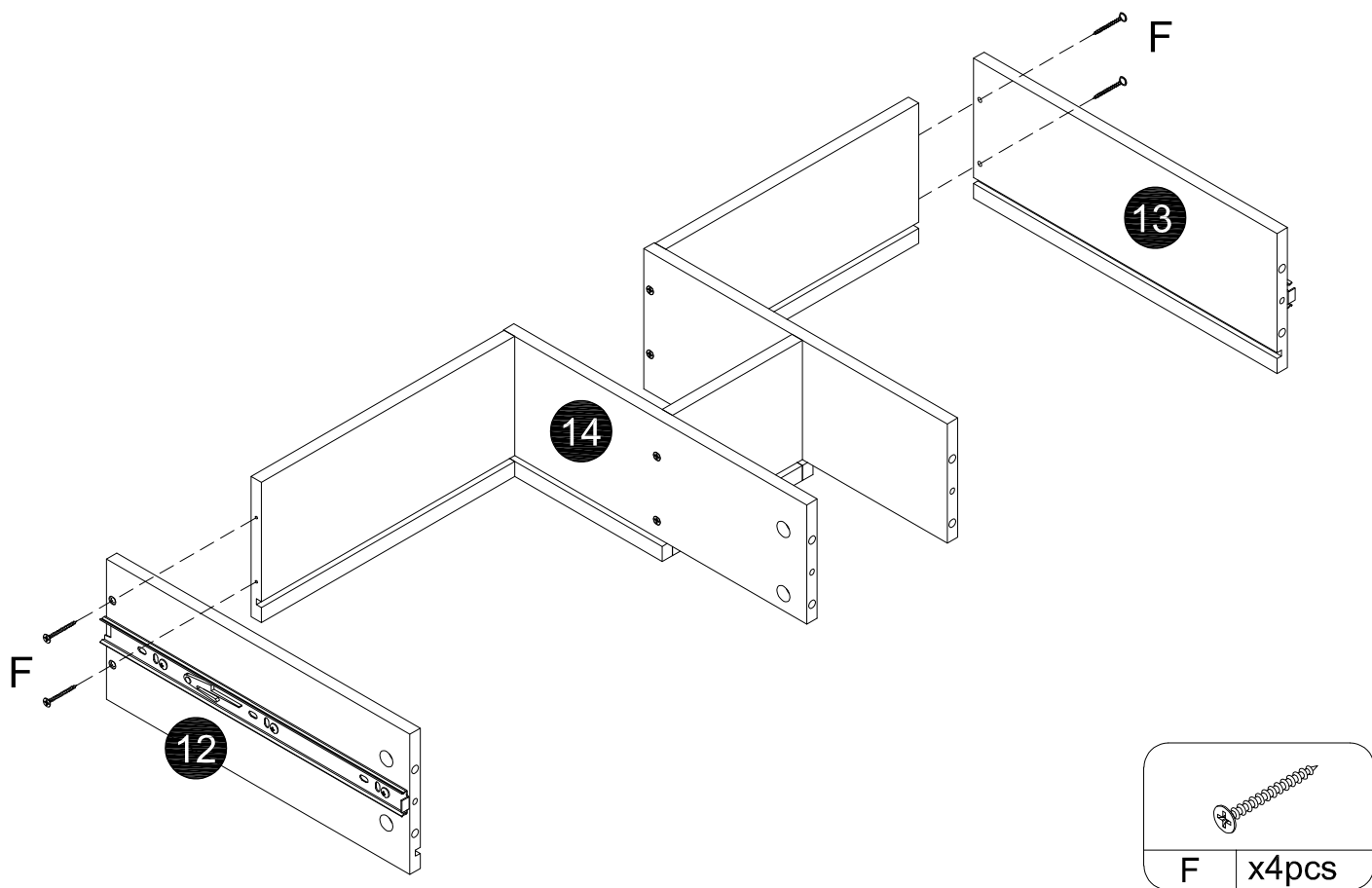
STEP 23



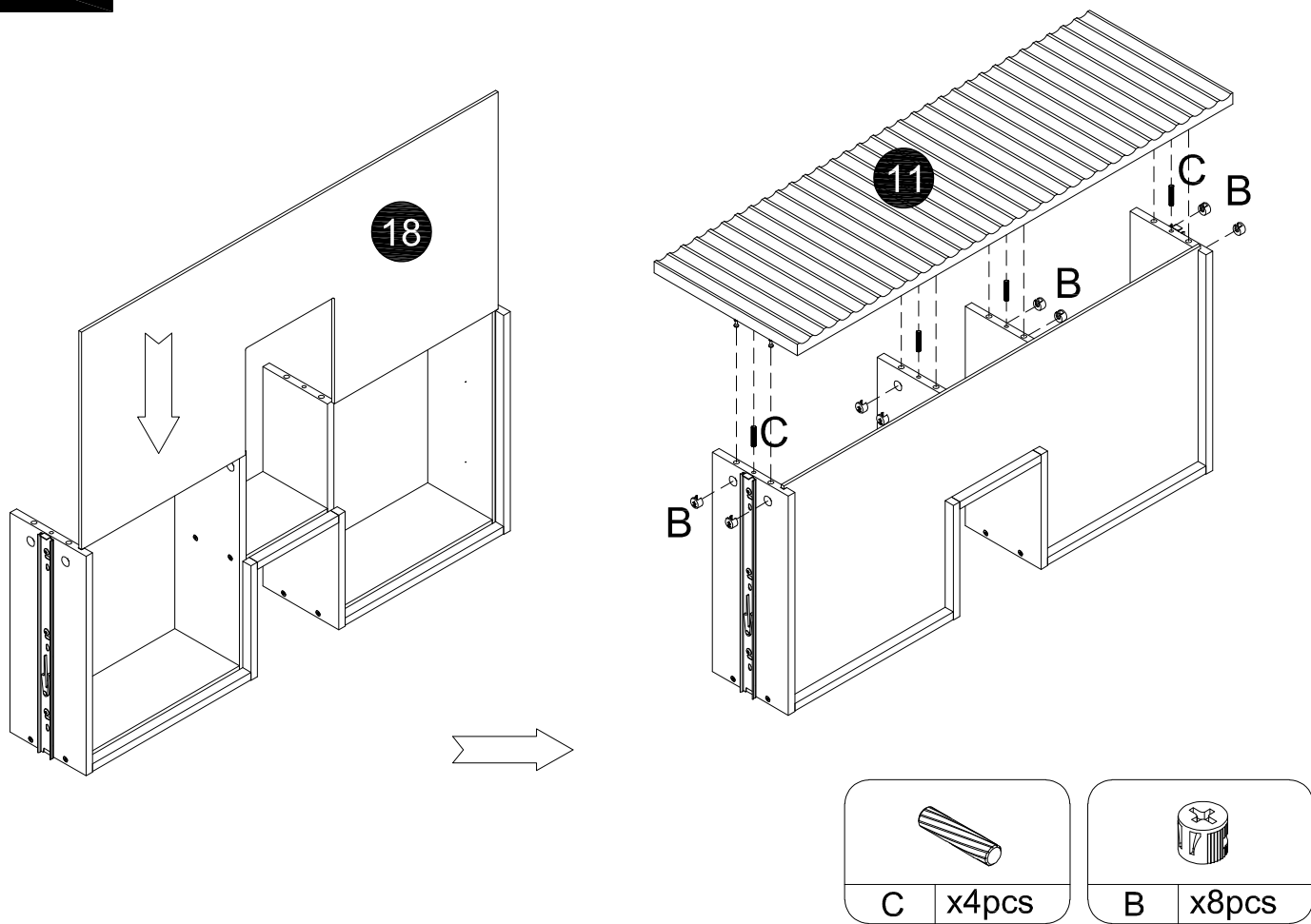
STEP 24



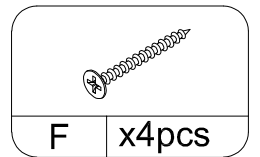
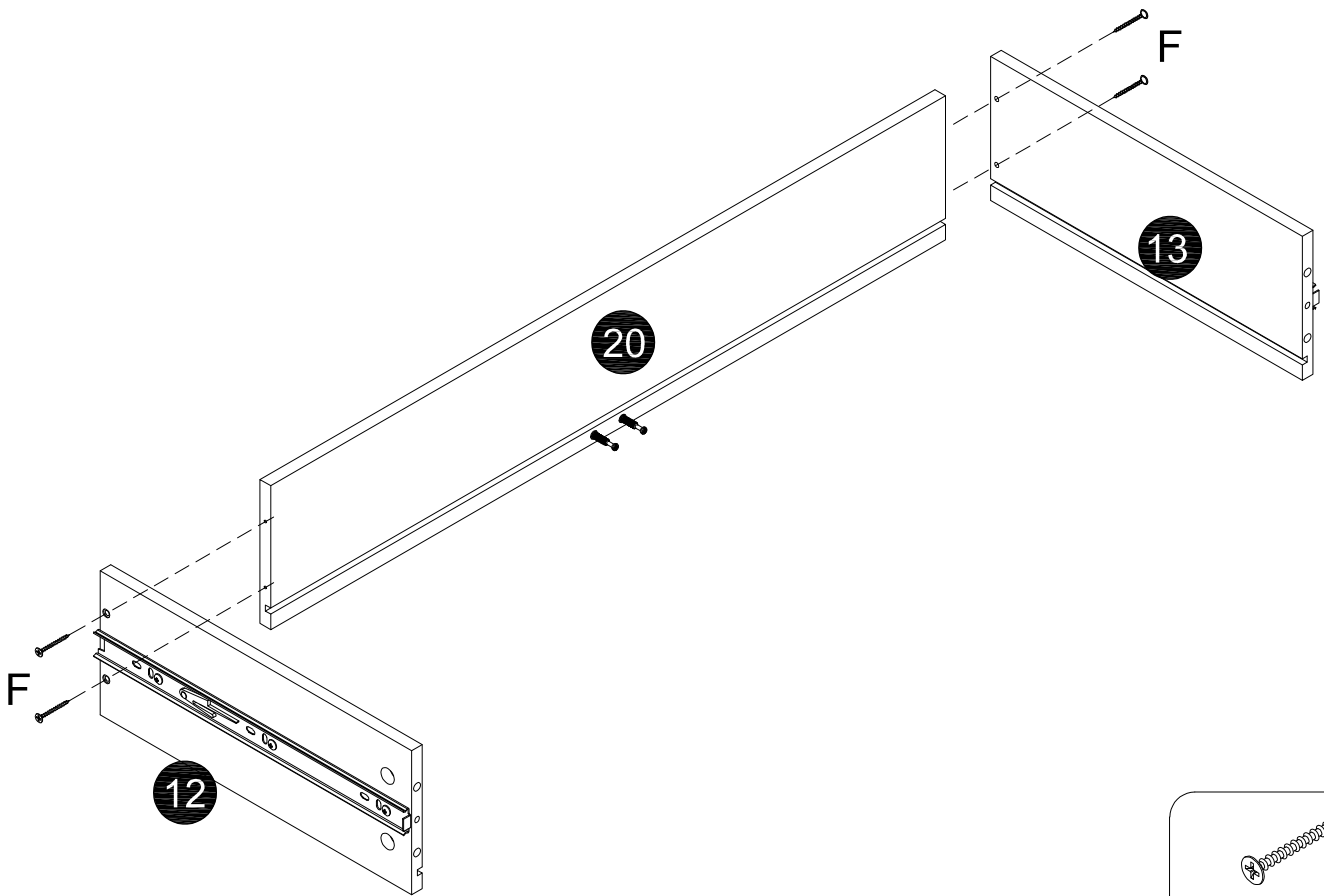
**STEP 25**



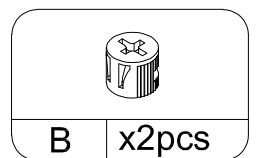
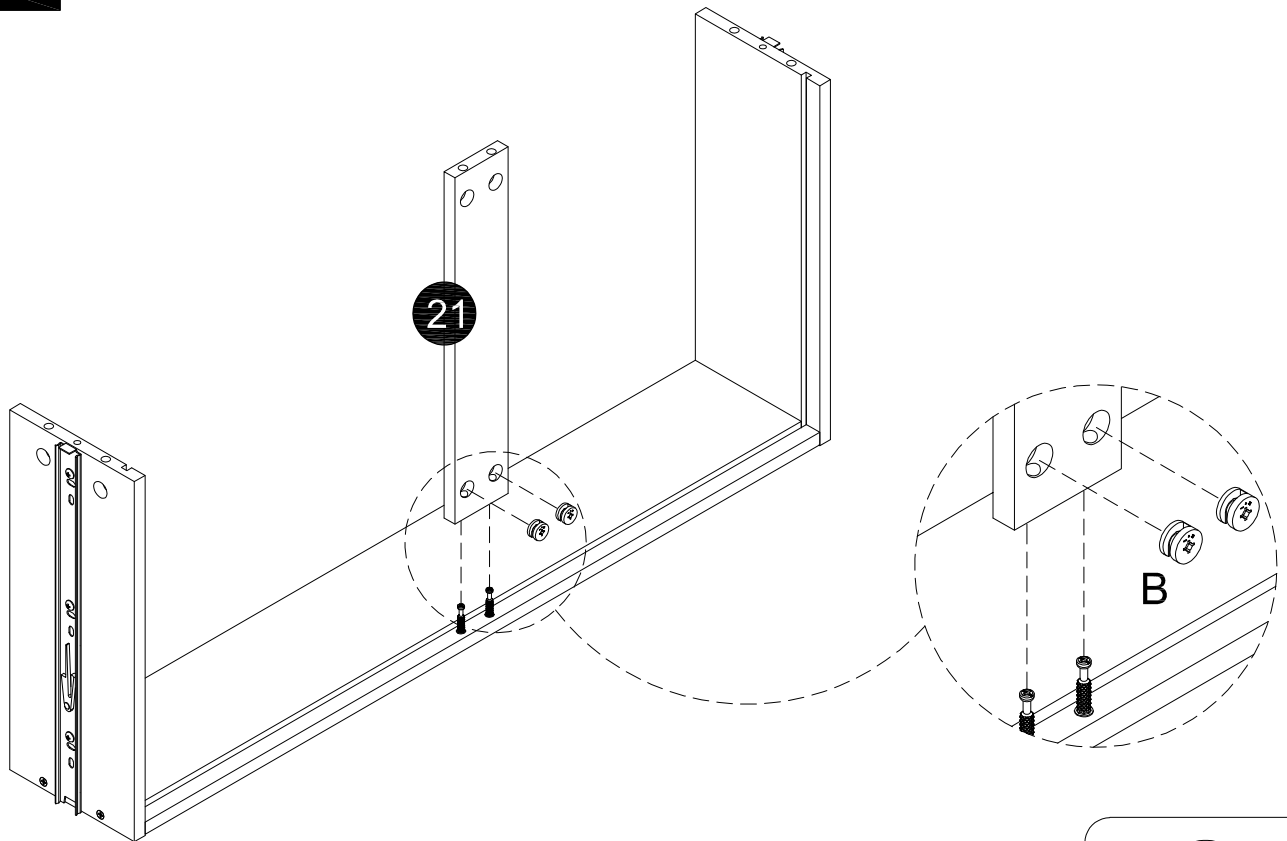
**STEP 26**



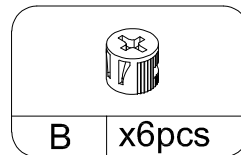
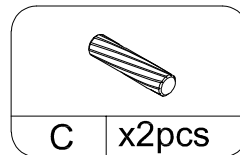
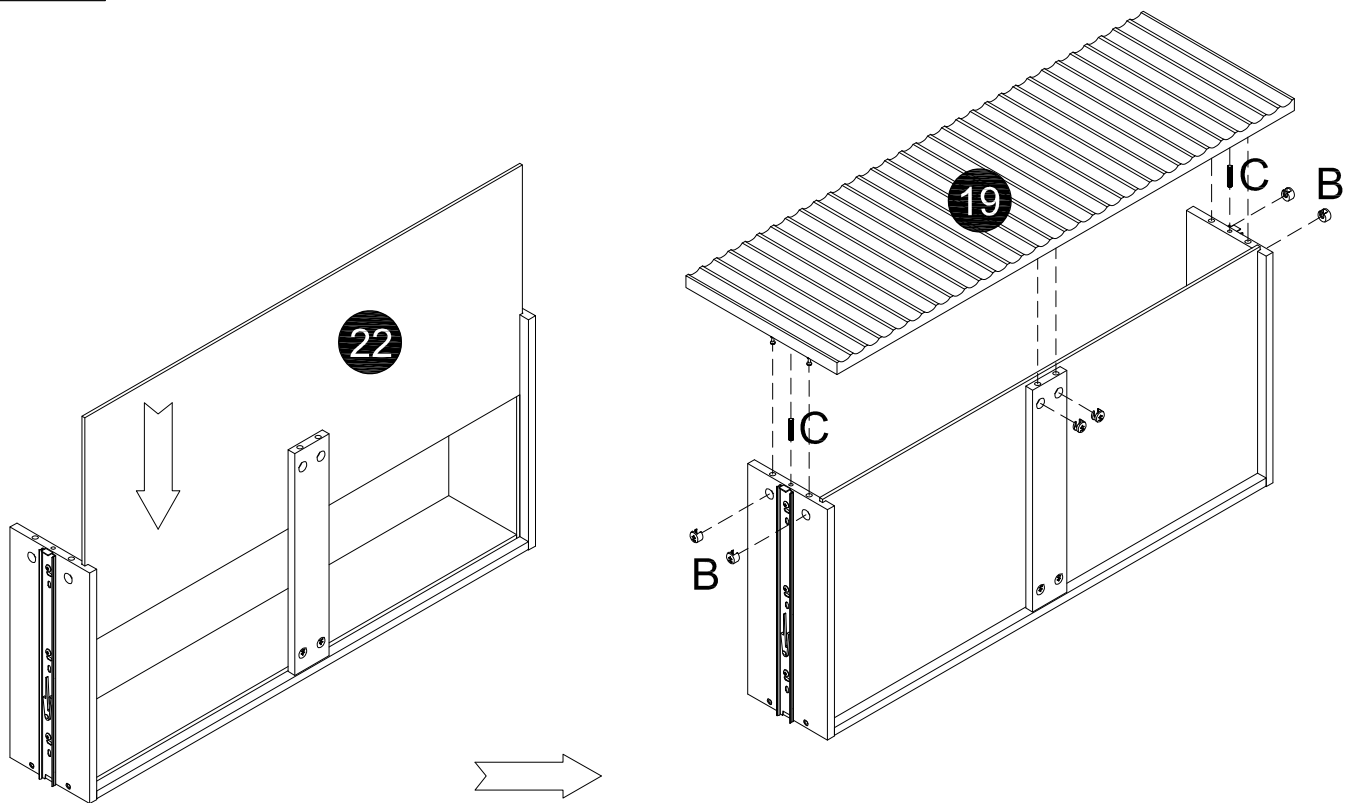
**STEP 27**



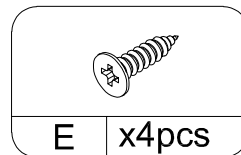
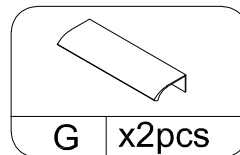
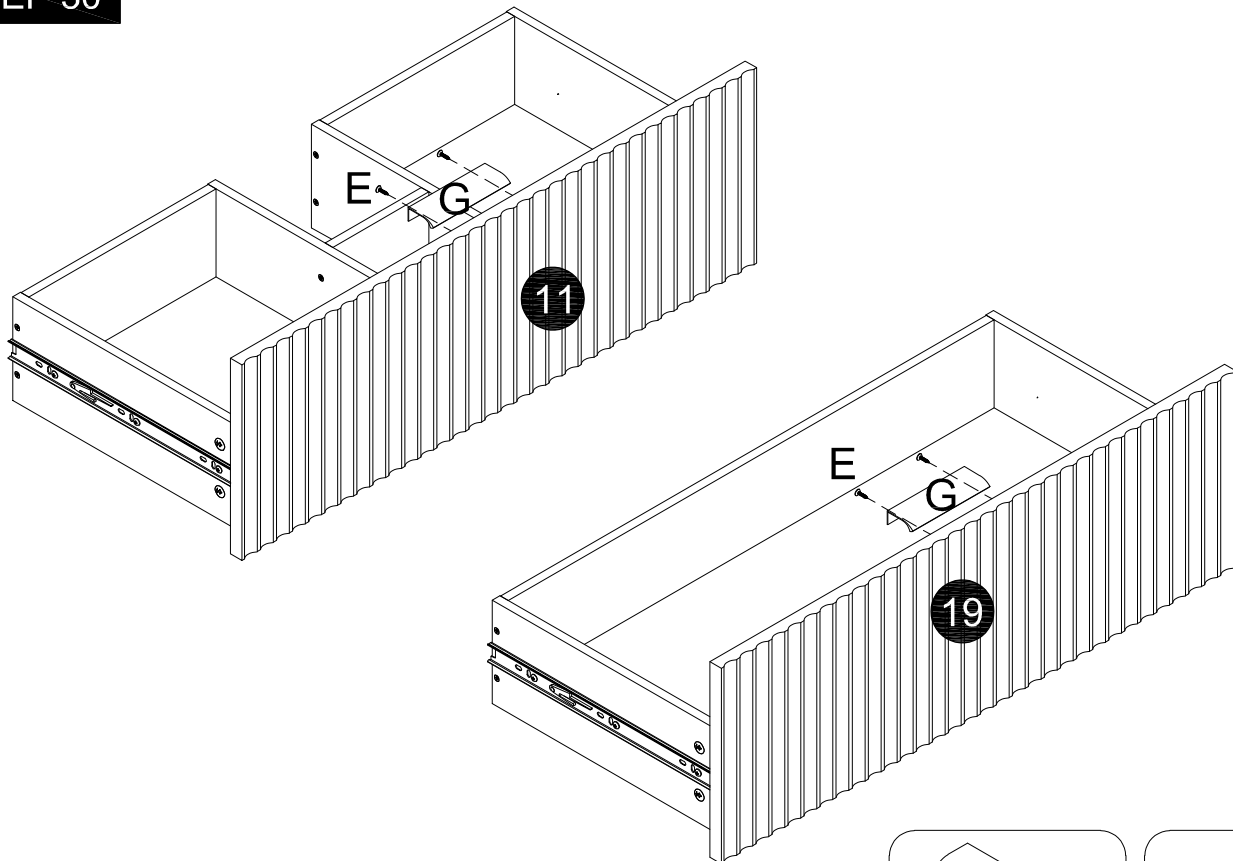
**STEP 28**



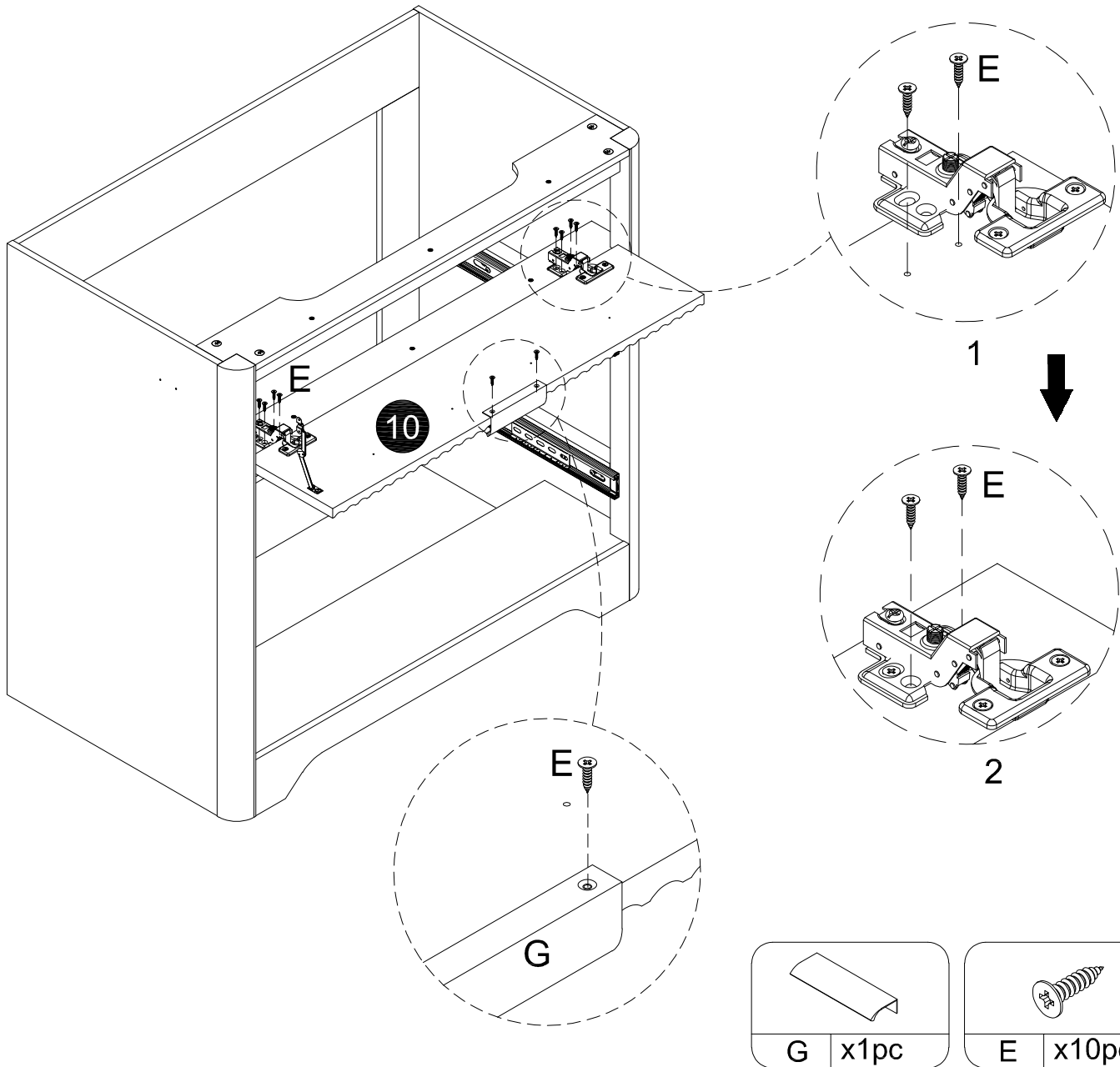
**STEP 29**



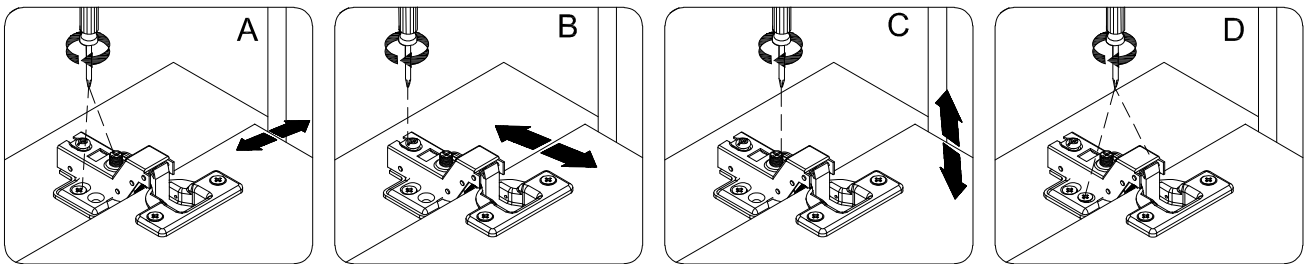
**STEP 30**



**STEP 31**

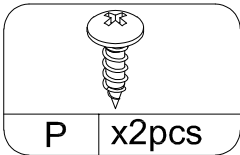
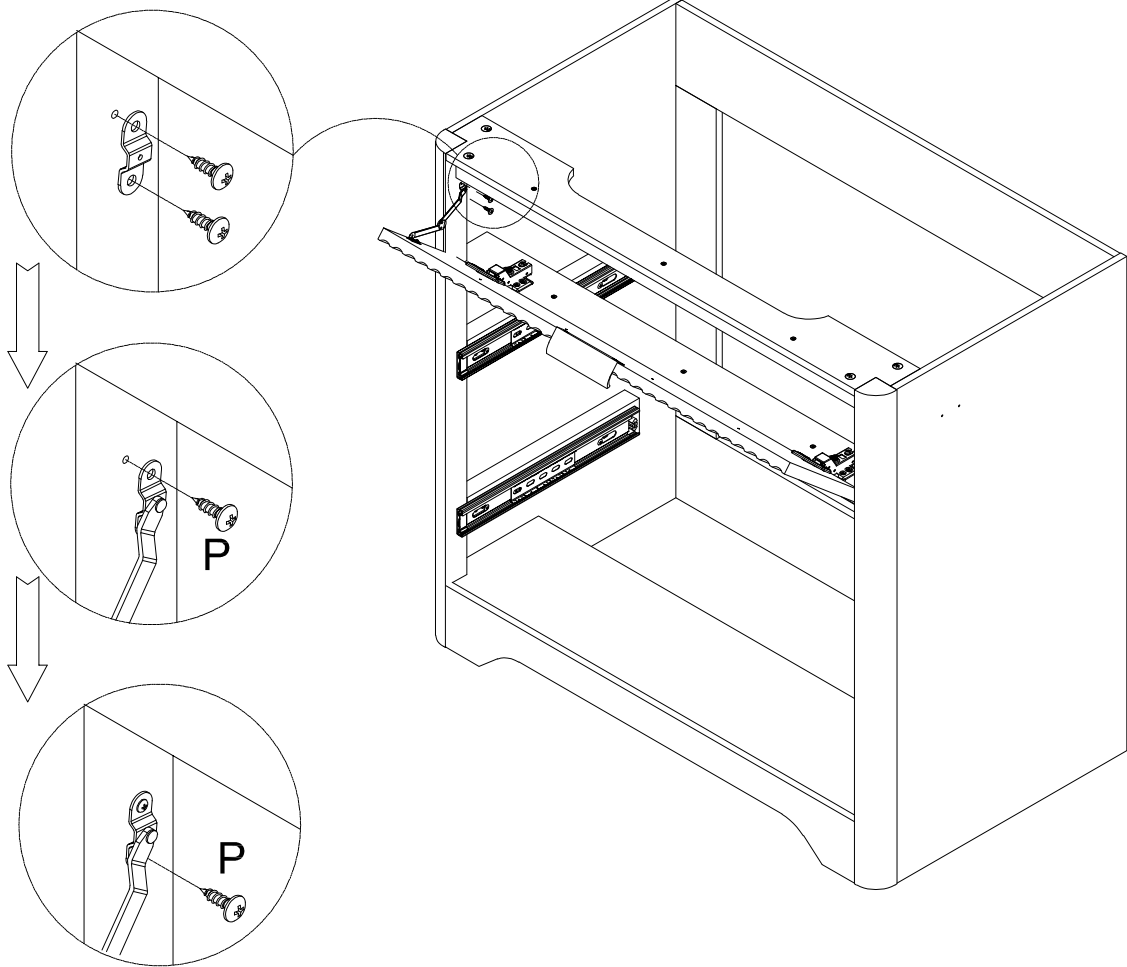


When the hinges are installed, you can refer to the pictures to adjust crevice of the doors till it's perfect

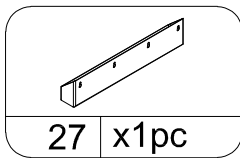
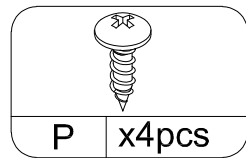
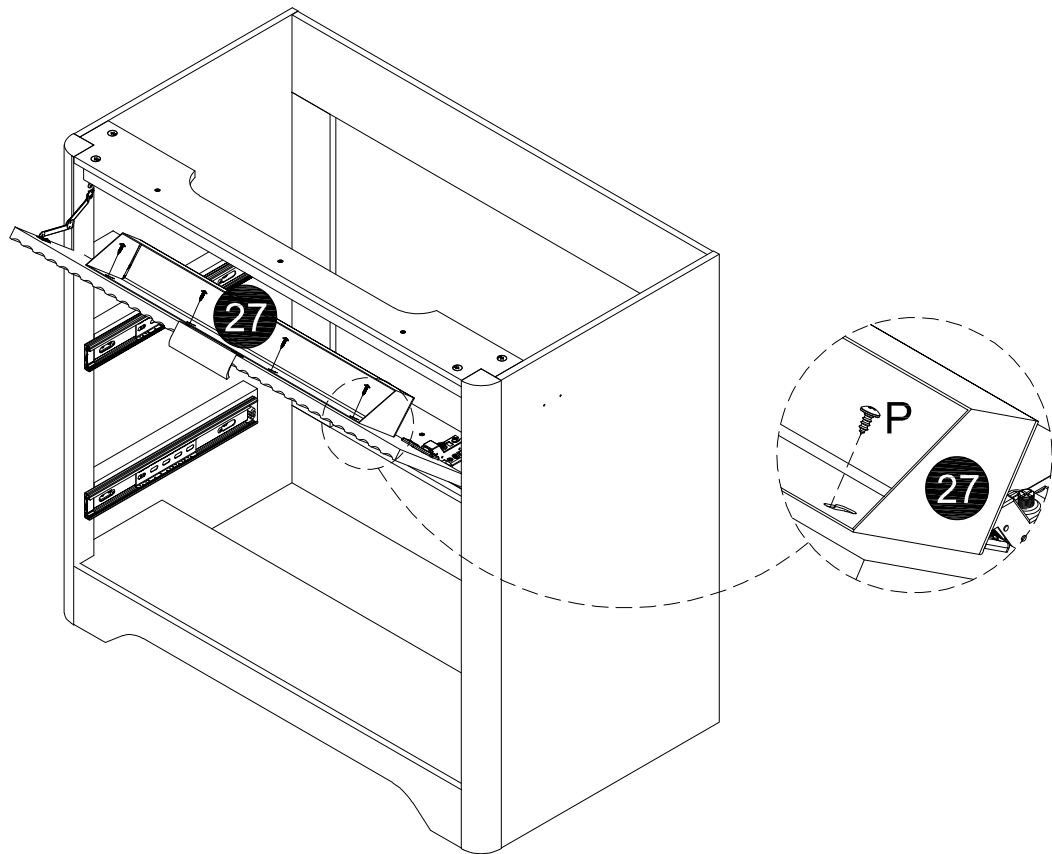


1. To adjust the doors up and down, please refer to step ( A )
2. To adjust the distance between the doors and side panels, please refer to ( B )
3. To adjust the gap between two doors, please refer to step ( C )
4. After the adjustment finished, please tighten the screws, refer to step ( D )

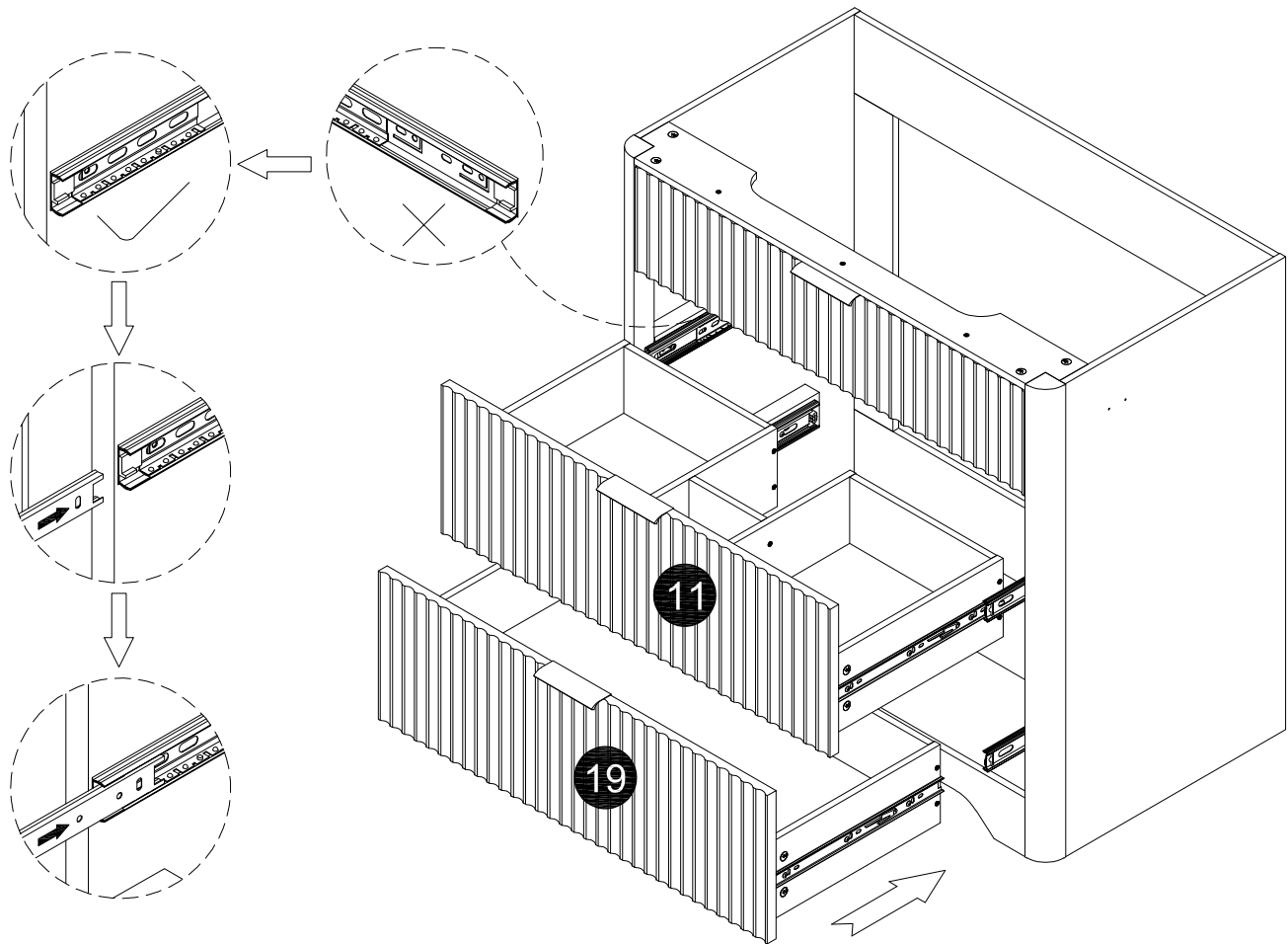
**STEP 32**



**STEP 33**

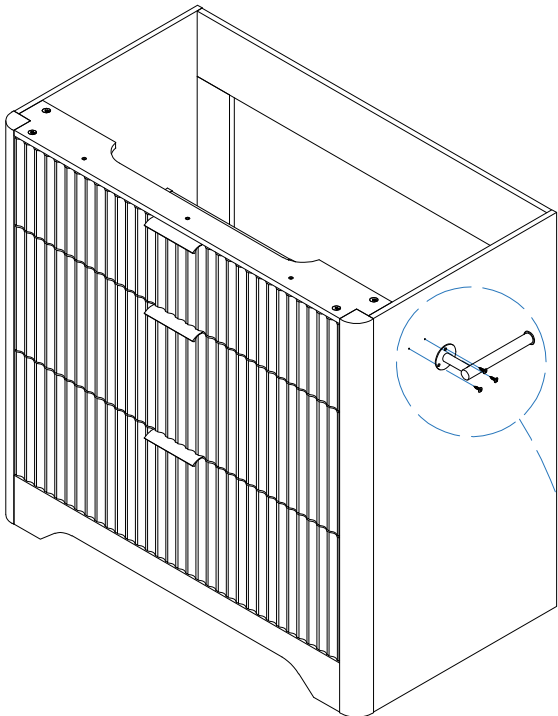


STEP 34

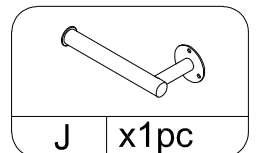
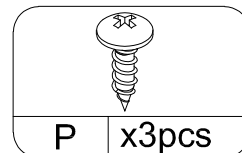
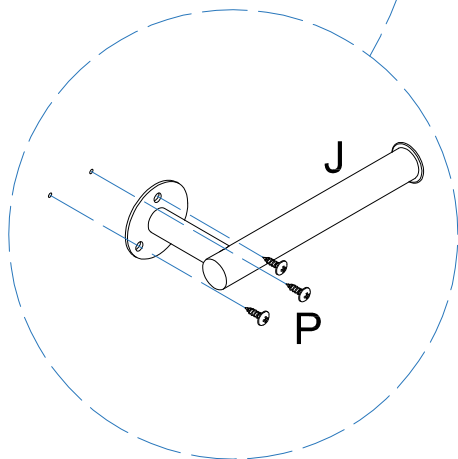
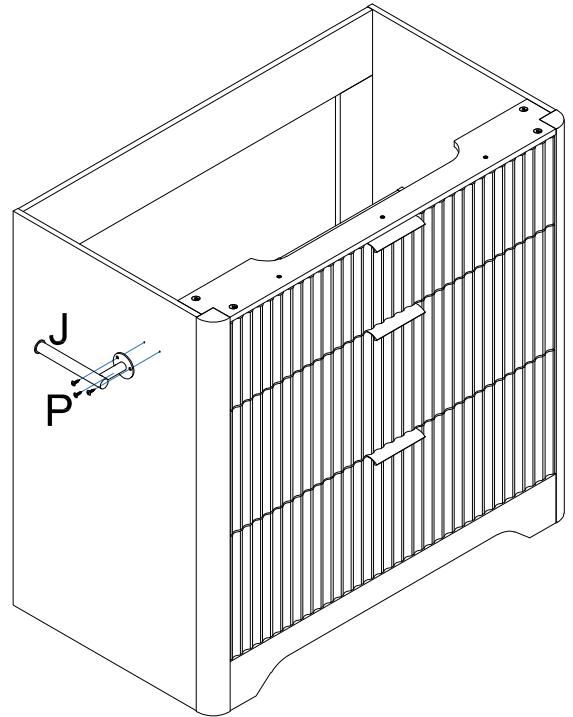


STEP 35

The towel hanging handle can be installed to the left or right side



OR



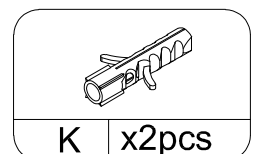
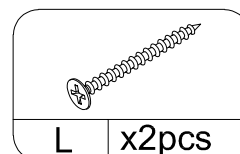
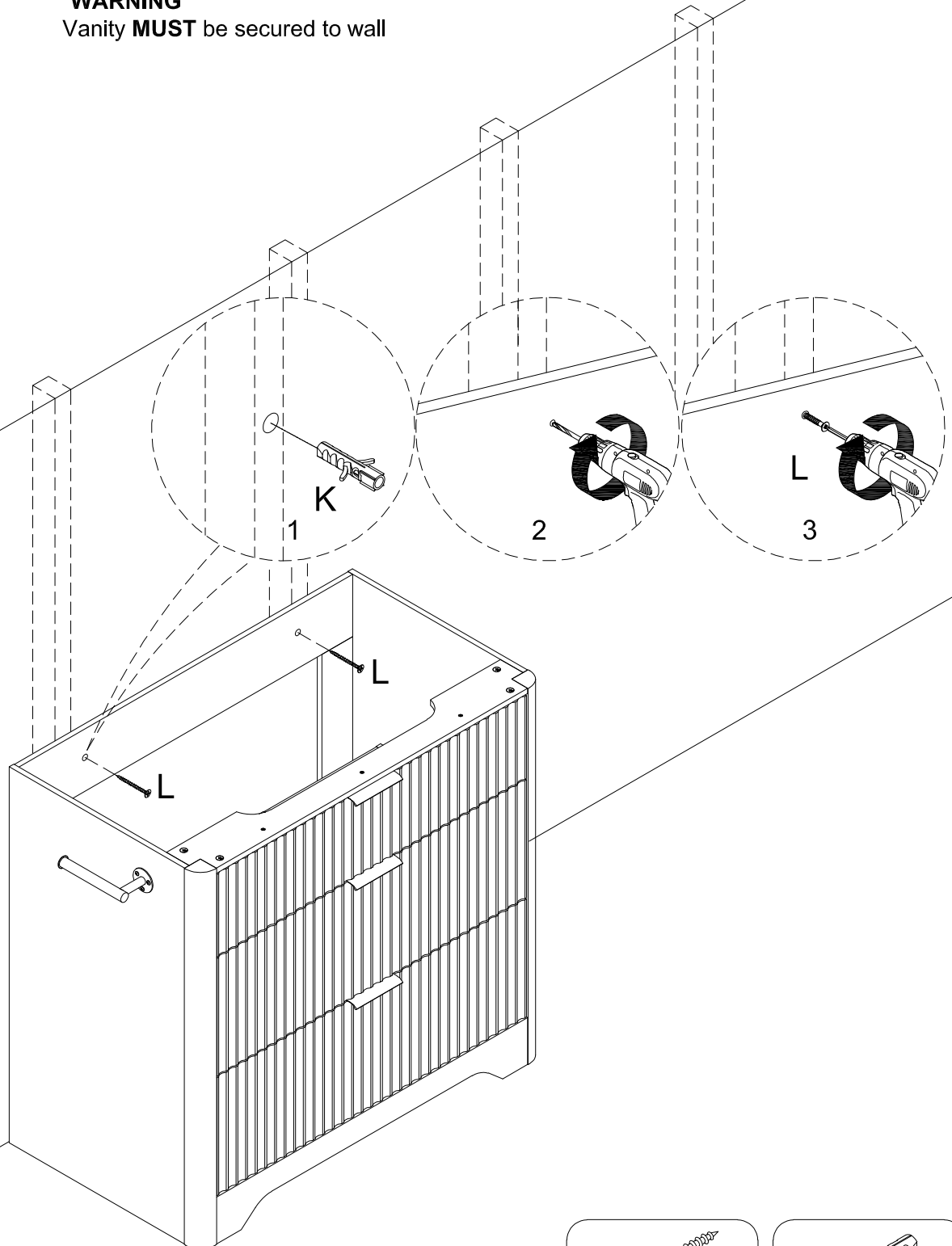
## STEP 36

\***Note:** Clean area where the vanity will be permanently located prior to beginning installation, ensuring the vanity will not interfere with any water supply and drain lines once mounted.

\* With the help of another adult, carefully place vanity against the wall in its final location. From inside vanity, drill hole through vanity mounting area and into wall studs. Using mounting hardware (L) appropriate for your installation site, secure vanity to wall stud

\* **WARNING**

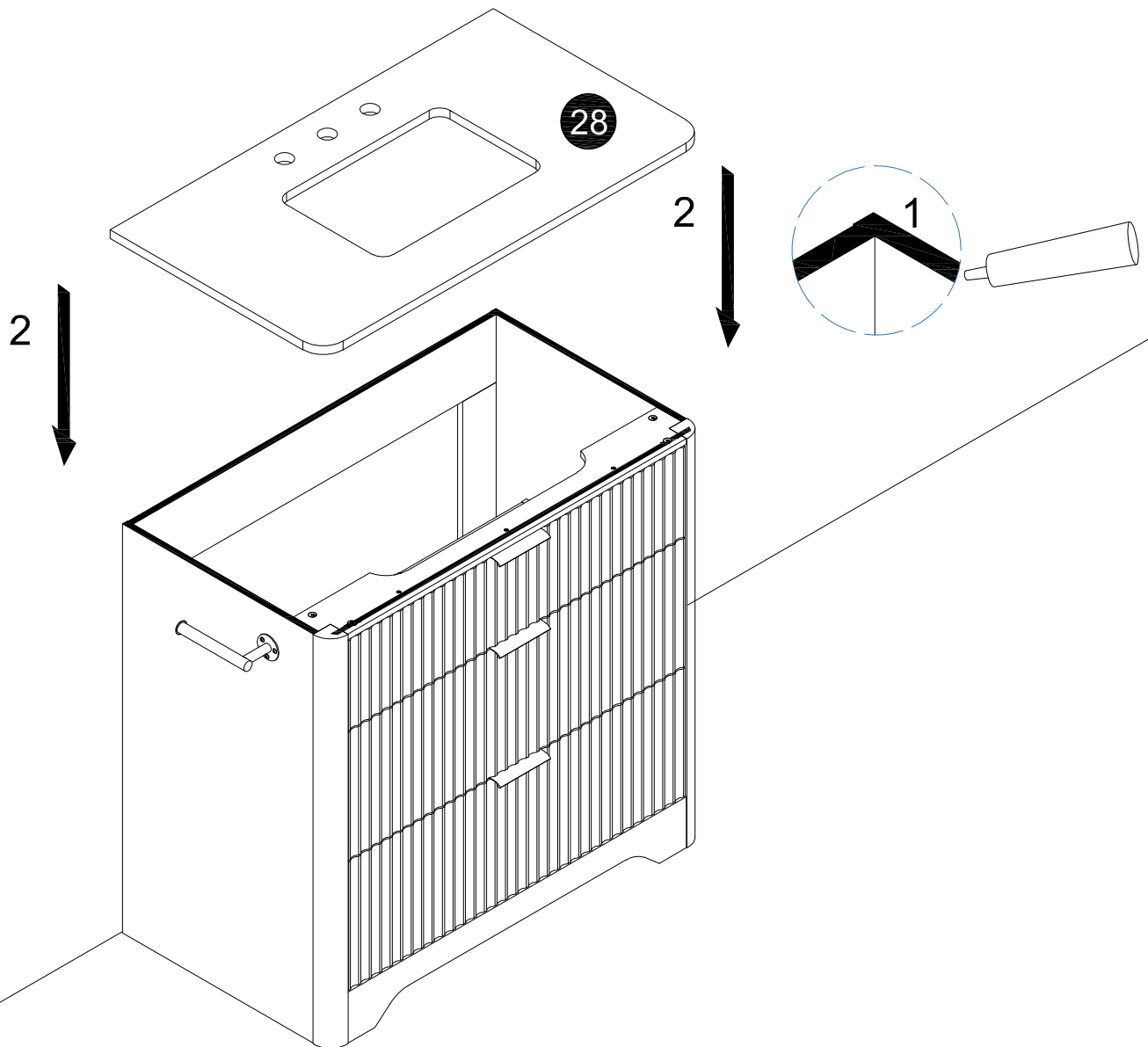
Vanity **MUST** be secured to wall



## STEP 37

**Note:** At this stage it may be easier to install the faucet and drain kit (not included) to top (28) per the manufacturer's instructions.

\* Apply stain free silicone or latex silicone caulk (not included) to the top edge of vanity. With the help of another adult, gently lower top (28) onto the vanity. Wipe away any excess caulk with a soft cloth, and wait approximately 24 hours for it to dry.



## STEP 38

\* Apply stain free silicone or latex silicone caulk (not included) to unpolished side and bottom of backsplash (29). Position backsplash (29) on top (28) and against wall. Clean any excess caulk before allowing to dry.

