

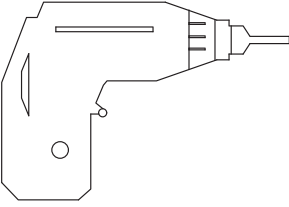

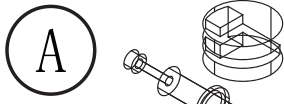
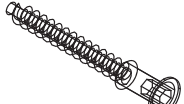
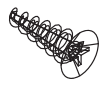
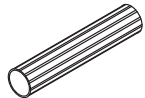

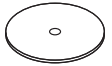
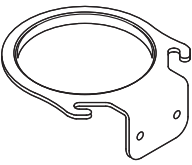
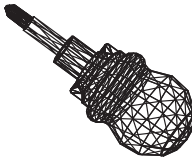
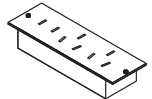
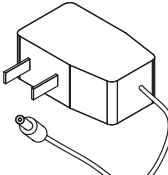


INSTRUCTION MANUAL

SZT -01/02

Parts List

| Parts List | | | | | |
|------------|--------------------|-----|-----|-------------------------|-----|
| | Name | Qty | NO: | Name | Qty |
| ① | Left side plate | 1 | ⑩ | Left drawer side panel | 2 |
| ② | Right board | 1 | ⑪ | Right drawer side panel | 2 |
| ③ | Panel | 1 | ⑫ | Drawer back panel | 2 |
| ④ | Pull-up | 1 | ⑬ | Drawer bottom plate | 2 |
| ⑤ | Pull-down | 1 | ⑭ | Top back plate | 1 |
| ⑥ | Layer plate | 1 | ⑮ | Top left plate | 1 |
| ⑦ | Spacer | 1 | ⑯ | Right upper side | 1 |
| ⑧ | Left drawer panel | 1 | ⑰ | Up Layer plate | 2 |
| ⑨ | Right drawer panel | 1 | ⑱ | Glass panel | 1 |

Installation Steps

| | | | | |
|--|--|--|--|--|
|  <p>Tips: When installing, you need to replace the screwdriverhead, one is hexagonaland (for (B)) the other is cross head (for (A) & (C))</p>  |  (A) x16 012 |  (B) x35 5*40 |  (C) x9 3.5*16 | |
| |  (D) x9 6*30 |  (E) x4 |  (F) x51 | |
| |  (G) x1 |  (H) x1 |  (I) x1 | |
| |  (J) x1 |  (K) x1 |  (L) x1 | |

Note:

- 1: Keep all small parts and packaging materials for this product away from babies and children as they potentially pose a serious choking hazard.
- 2: If the product has any problems on arrival, no need to return it, Please contact us in time and we will provide a replacement for free.
- 3: If installation issues, click product image on details page for video tutorial. Contact us for further assistance!

Ratchet Screwdriver Usage Instructions

Telescoping Interface:

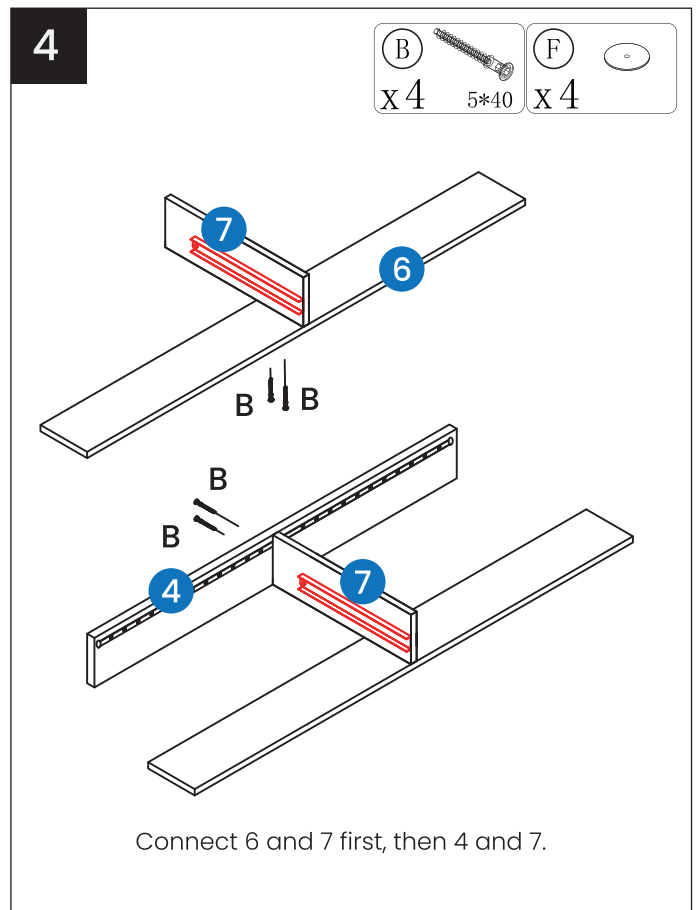
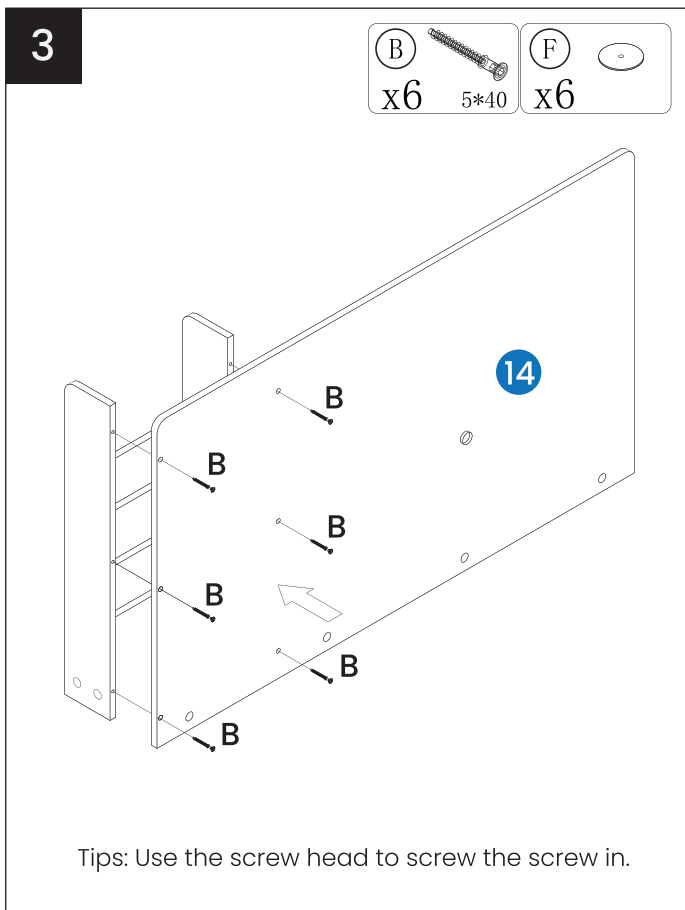
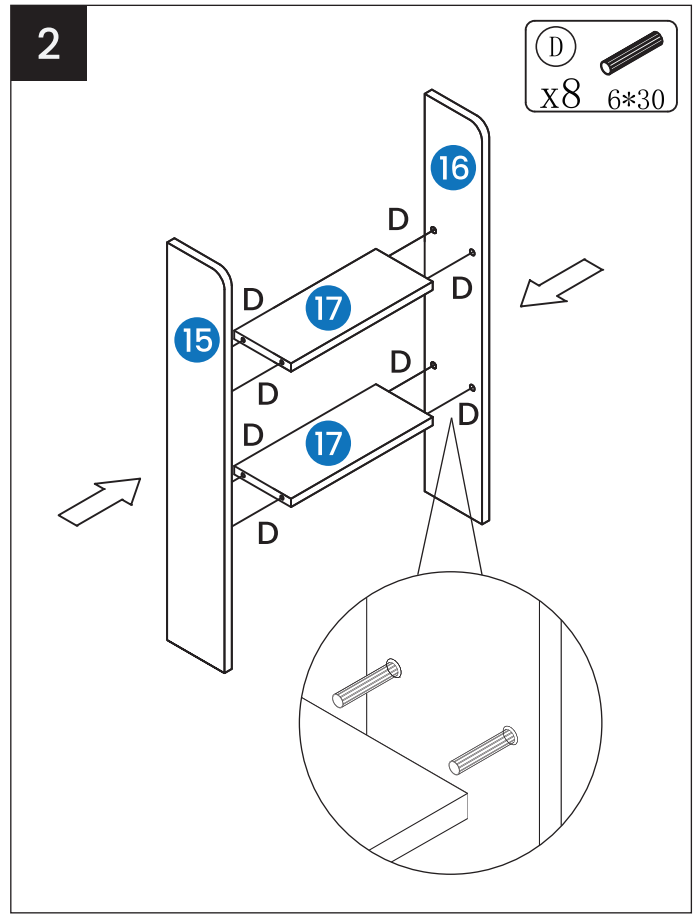
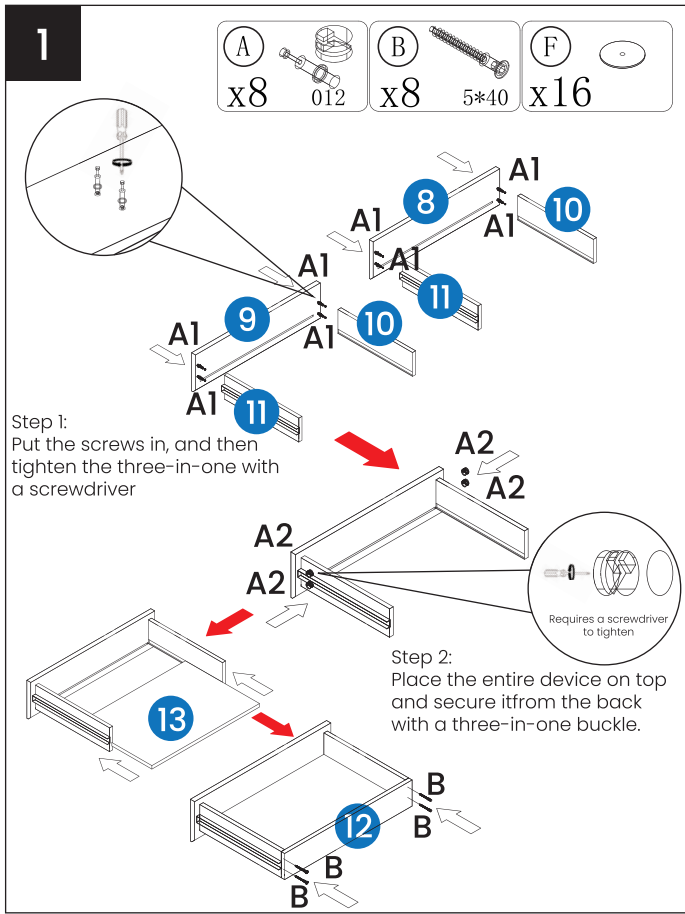
Press to Adjust, Easily Interchangeable.



DUAL-RATCHET SYSTEM

- Rotate both ways, no regripping needed
- Delivers effortless torque





5

(B) x16 5*40 (F) x16

Then 2 connects to 3, 4, 5, 6, and finally to 1

6

(A) x8 012 (F) x8

Step 1:
Put the screws in, and then tighten the three-in-one with a screwdriver

Step 2:
Place the entire device on top and secure it from the back with a three-in-one buckle.

Requires a screwdriver to tighten

7

(E) x4 (C) x4 3.5*16

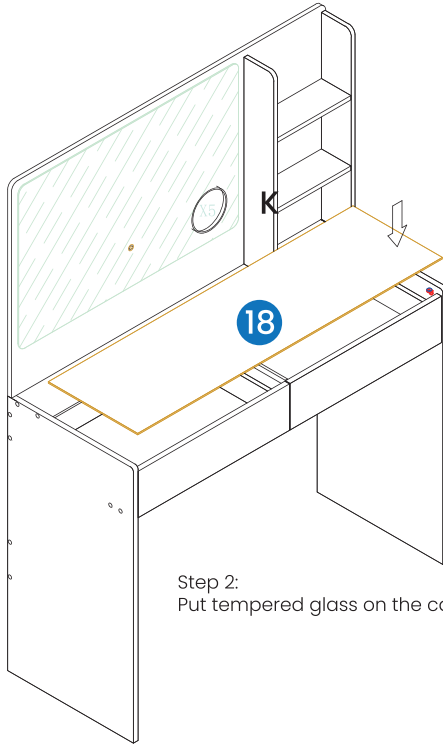
Glass shelf pins (E) are installed on both side panels.

8

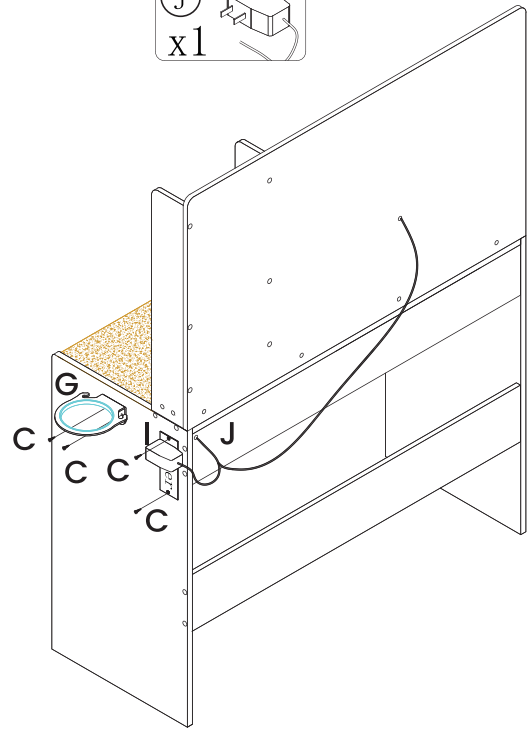
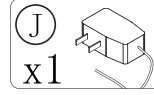
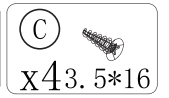
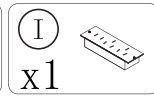
Attention:
When installing the drawer, first pull out the hanging brackets on both sides. Then, insert the drawer into the hanging bracket and push it in parallel. Upon hearing the sound of "click," the entire drawer will be perfectly installed. In case of installation issues, click the product image on the details page for a video tutorial.

9

Step 1:
Attach the magnifying glass to the mirror

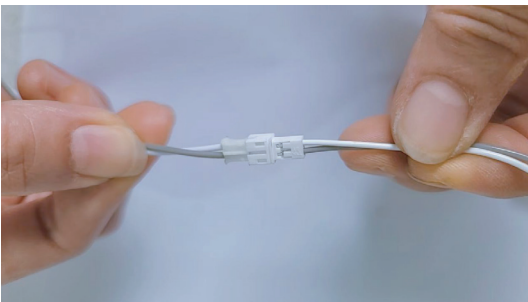


Step 2:
Put tempered glass on the cabinet.

10**11**

LED Mirror and RGB Light Strip Power Connection

Step 1: Provide complete terminal blocks, insert them into the connectors on the back panel of the mirror, and ensure they are securely fastened to meet the connection requirements for LED lighting.

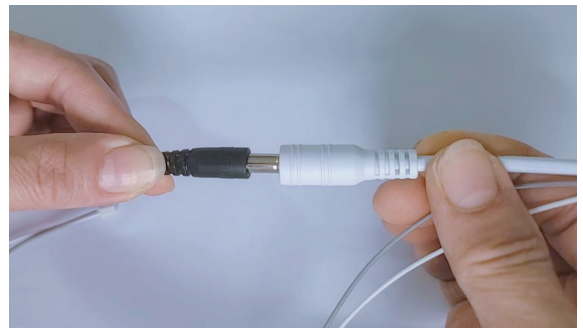


Step 2: Be sure to ensure that the input/output wires precisely match the color-coded labels (B/R/G/V+), and exercise caution when inserting the pins to guarantee secure and error-free connections.

**12**

Power connection

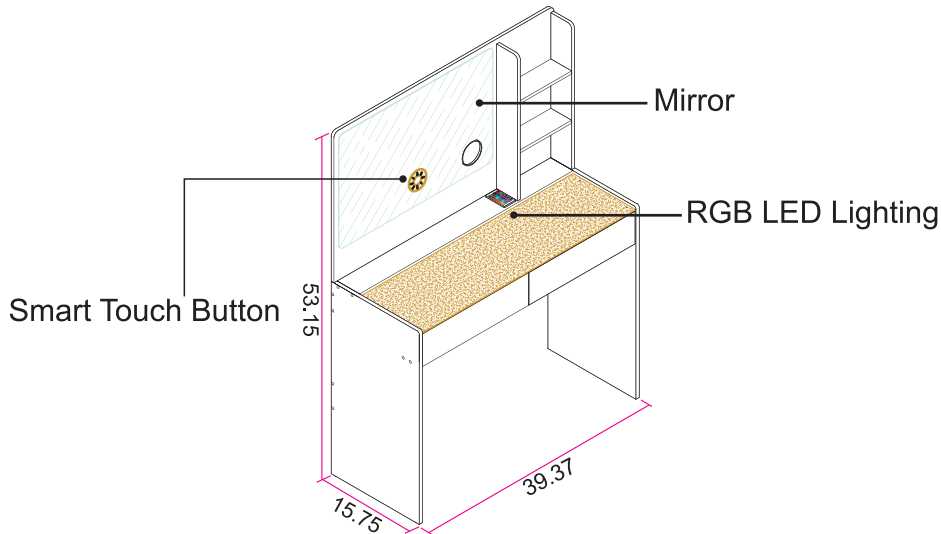
Step 1: Align the male plug (black) and female plug (white) before inserting until a click sound is heard. Ensure the connection is secure and suitable for power transmission.



Step 2: Power is on, LED lights up, device is connected and ready for use.



LED Mirror Instruction Manual



Lighting and Button Control

Integrated light sources and systems are not replaceable. Please do not change by yourself. The lights are controlled by a touch sensor on the mirror surface to turn on/off and adjust brightness and color temperatures.



- Click to control the light ON/OFF
- Long press to adjust the brightness(Range 10%-100%)
- Click to control the light ON/Warm white/Neutral white /Daylight/OFF

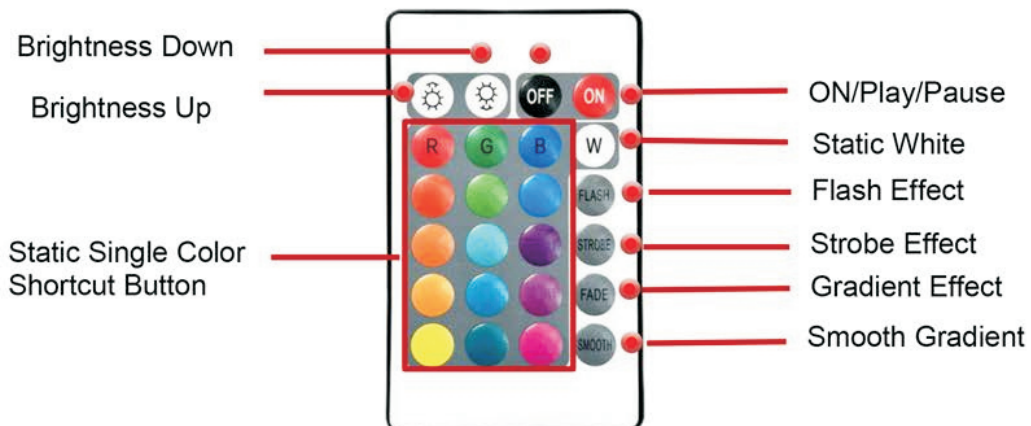
Notice

- ① This lighted makeup mirror uses Lifetime Energy Saving LED strip light. Replacement LED strip light are not required.
- ② All wiring should be done after cutting off the power, turn on the mirror after completing the installation;
- ③ Cleaning must only be done with a dry cloth, do not wipe it when energized;
- ④ Always place the product on a flat, steady, and stable surface;

Remote Control Instructions

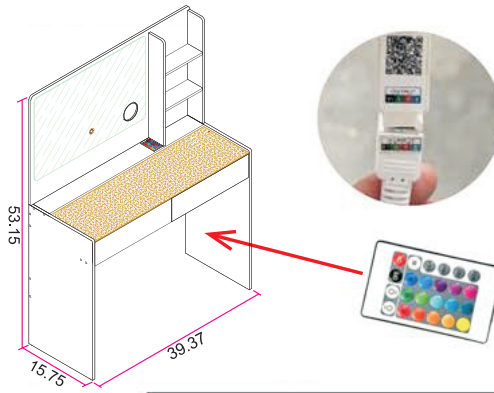
This dressing table drawer is equipped with an adjustable RGB LED lighting system featuring dual control via both mobile app and physical switch.

24 key remote control instructions





Unplug the plastic film before use



Infrared Transmitter

Note: While using it, try to align the remote control's sensor light head with the infrared transmitter.

Please read the instruction carefully before using

Operation manual of Magic Lantern APP

1. Performance

Magic Lantern APP has good ease of use and compatibility. The actual testing and verification of hundreds of mobile phones is compatible with the current market. Most smartphones. APP is small and convenient, it consumes less system resources, so the requirements of the mobile configuration are low. Control delay is small, the operation feel good, light control is smooth with people's visual sense.

2. Operating Environment

This APP program requires phones of system above Android 4.3 and iOS 8.0. Mobile phone configuration is not limited.

3. Instructions

Note: Android version and iOS version download and use the same method, here in the Android version as an example.

3.1 APP Download

• Scan the QR code

iOS and Android systems can download the "Magic Lantern" APP by scanning the QR code. Open the browser or other tools with "Scan QR code" function, scan the "Magic Lantern" QR code as below:

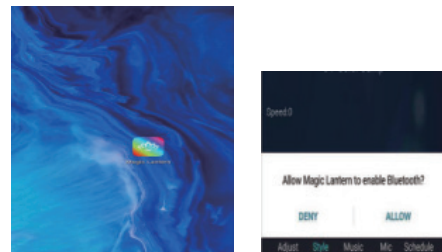


or



3.2 App Operation

(1) Click on the Magic Lantern APP icon, enter the APP page:



(2) After entering the APP interface, if Bluetooth is not enabled, "Allow Magic Lantern to Bluetooth ?" Click [Allow]

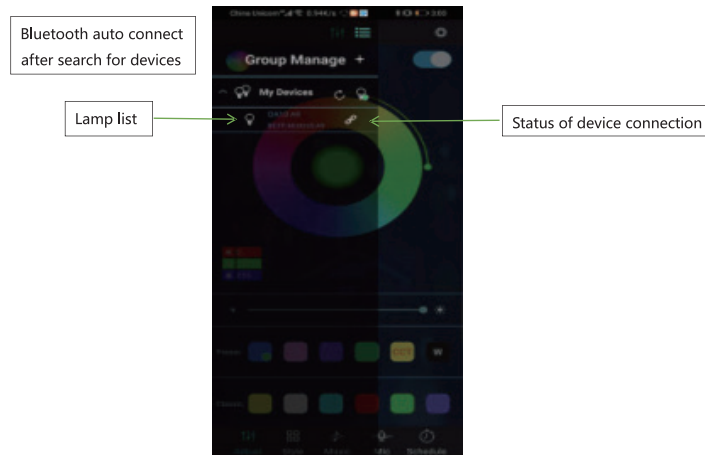
(3) switch to color and brightness interface:



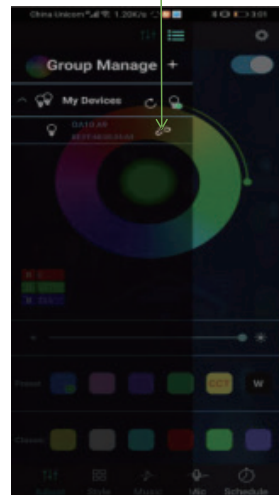
After the software is installed and downloaded successfully, click apk to install.

After the installation is complete, the following style of program icon will appear on the desktop

(4) click to show the lamp list, view lamp list:



Device disconnected



(5) Click to RGB manual adjustment view:



Note:

- 1: Keep all small parts and packaging materials for this product away from babies and children as they potentially pose a serious choking hazard.
- 2: If the product has any problems on arrival, no need to return it, Please contact us in time and we will provide a replacement for free.
- 3: If installation issues, click product image on details page for video tutorial. Contact us for further assistance!