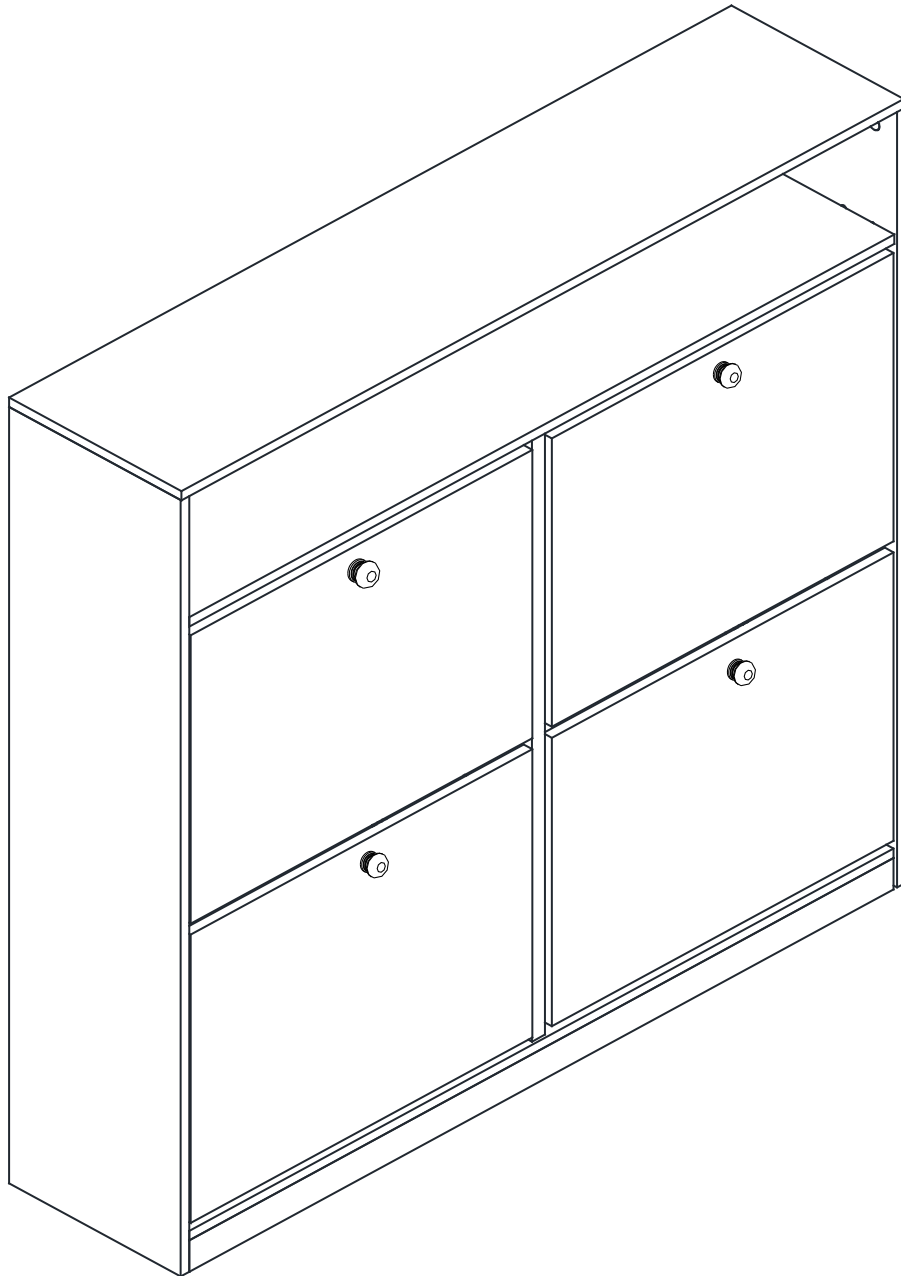
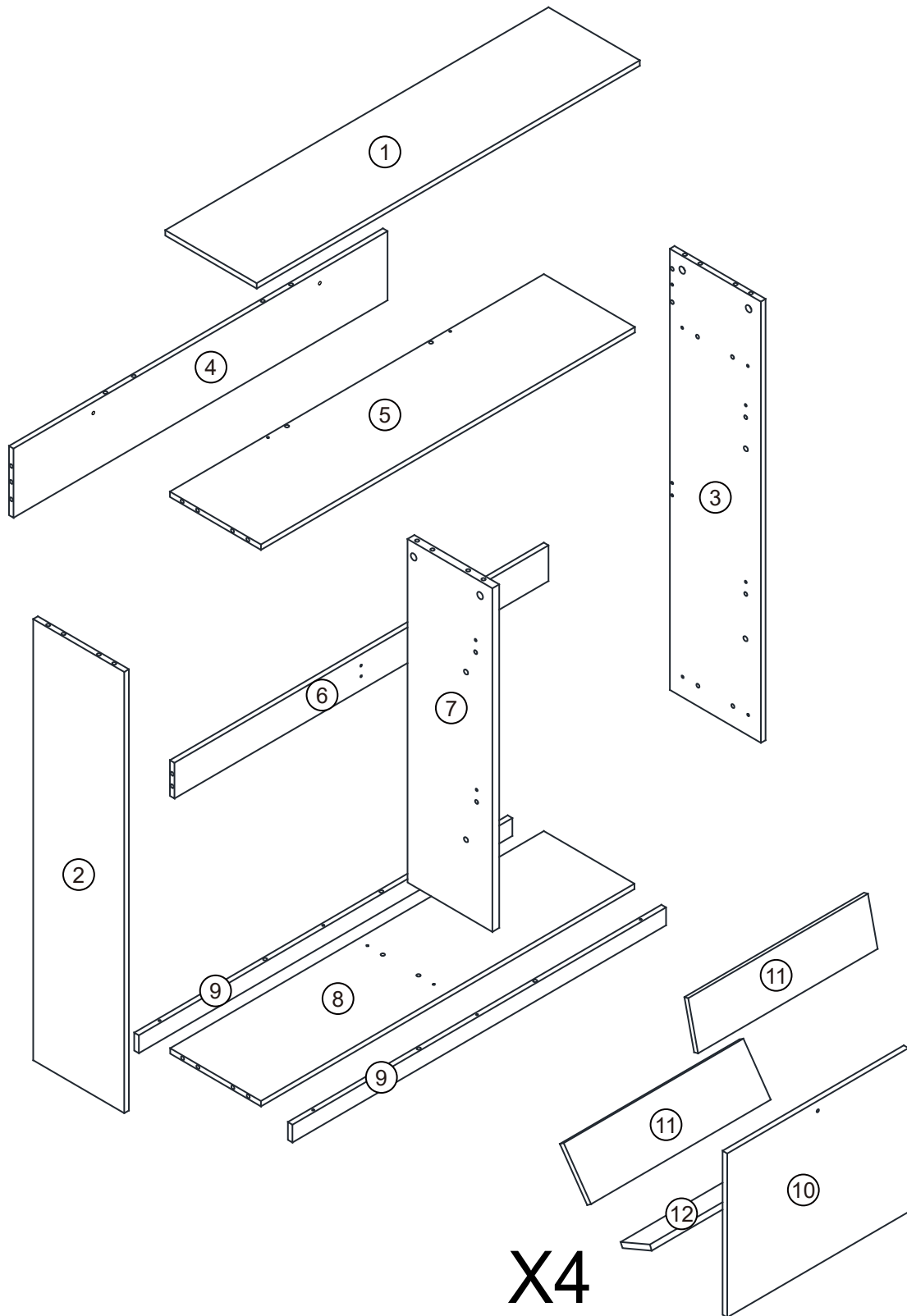


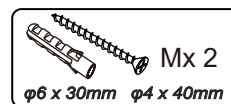
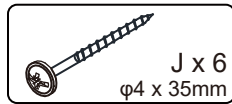
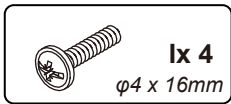
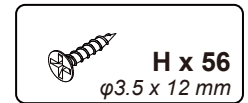
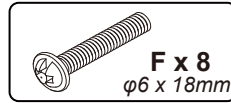
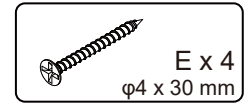
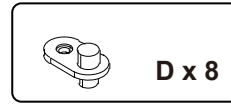
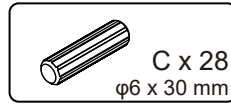
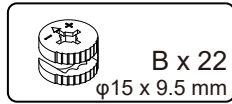
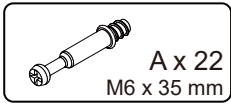
ASSEMBLY INTRODUCTION



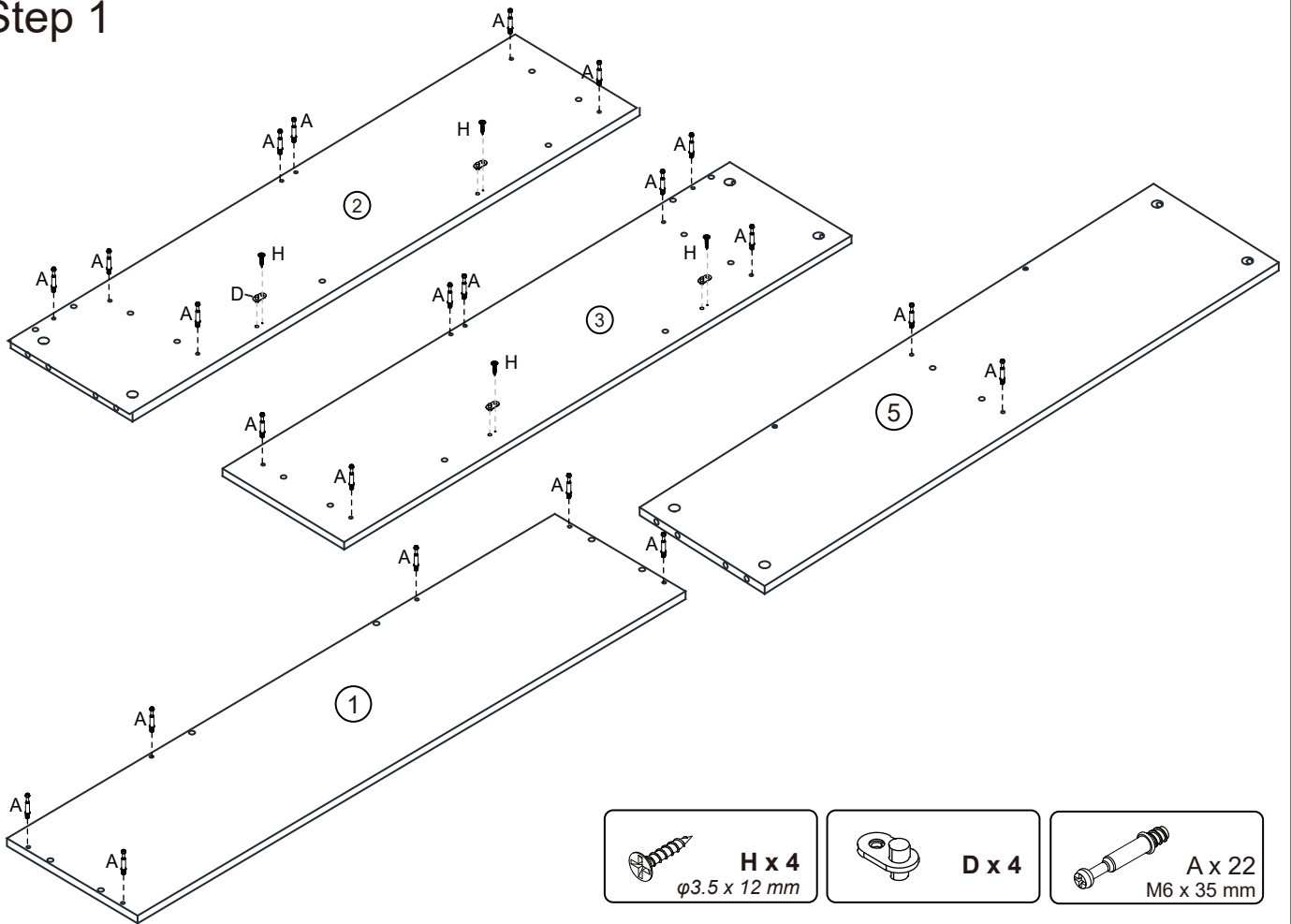
Exploded View



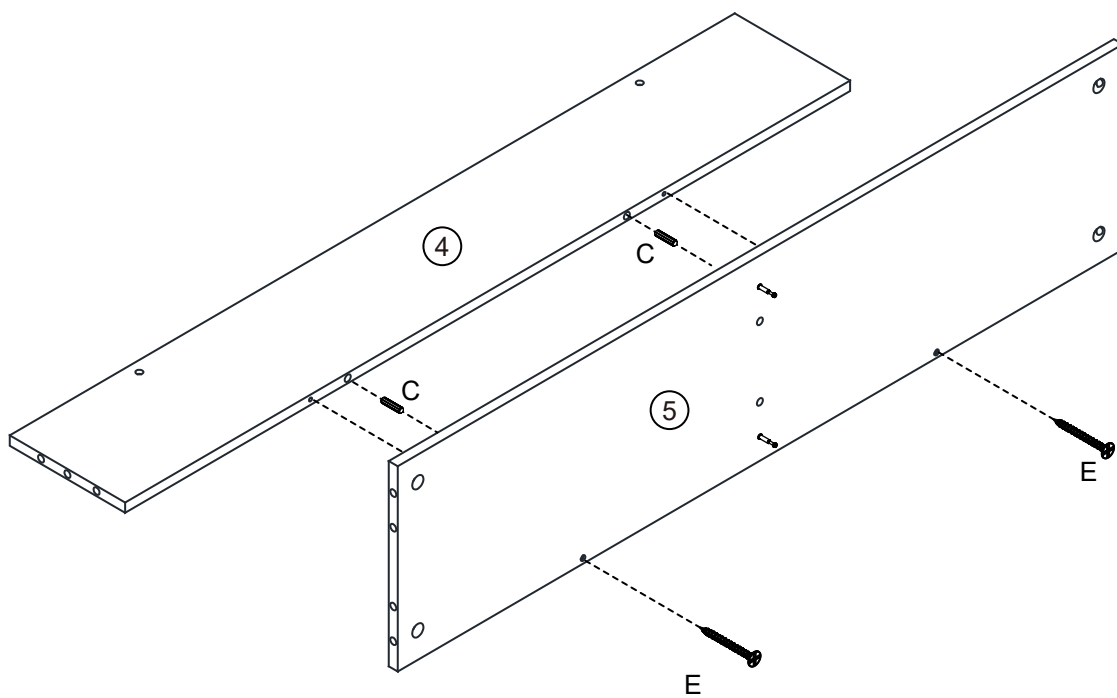
Fittings



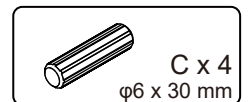
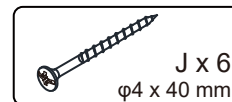
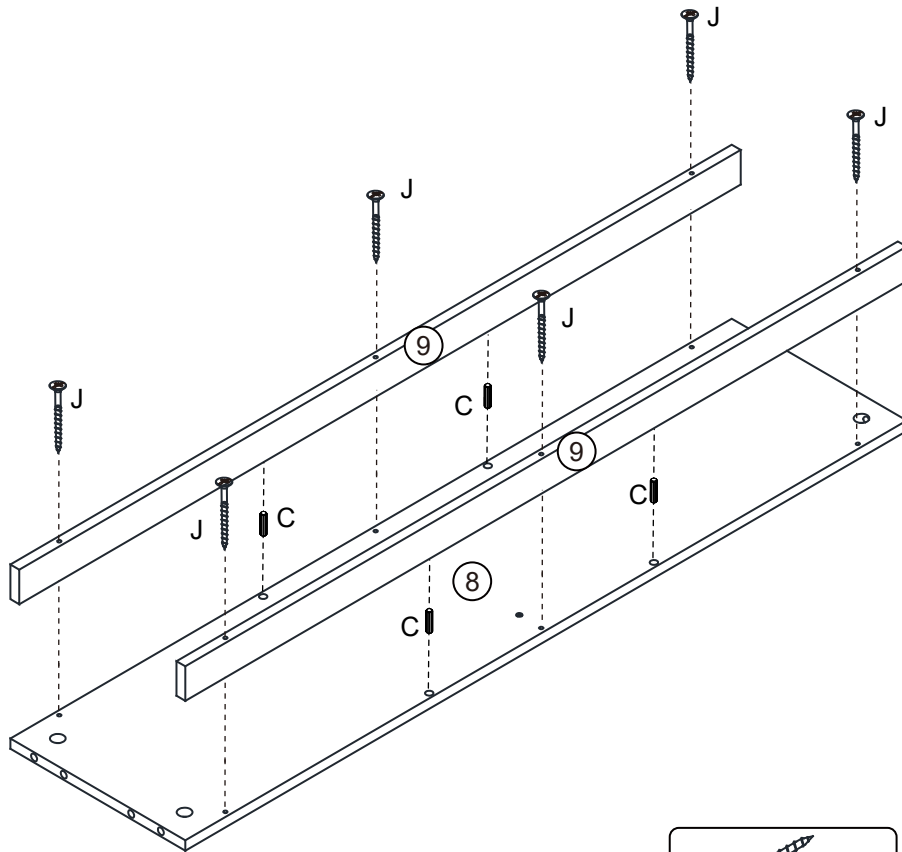
Step 1



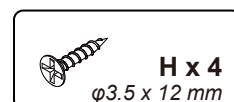
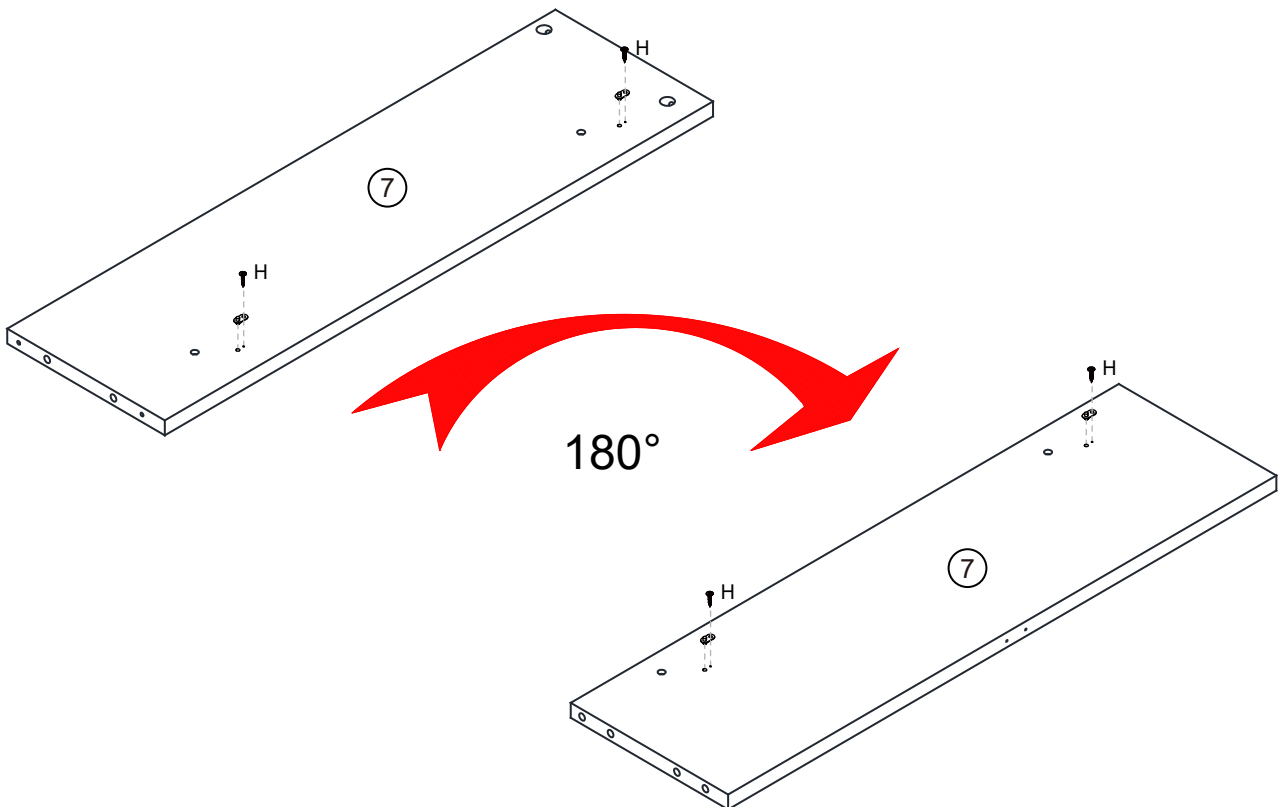
Step 2



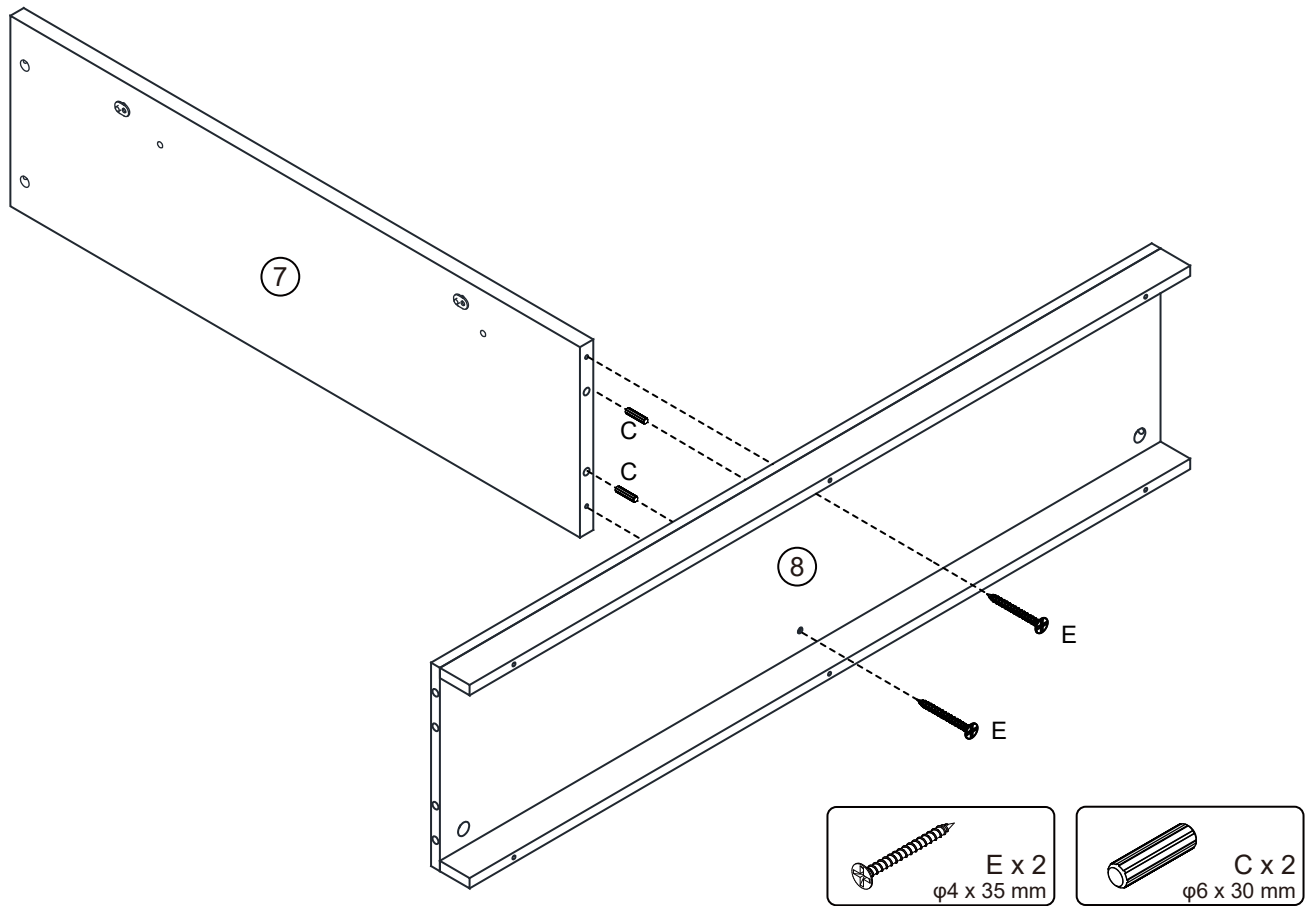
Step 3



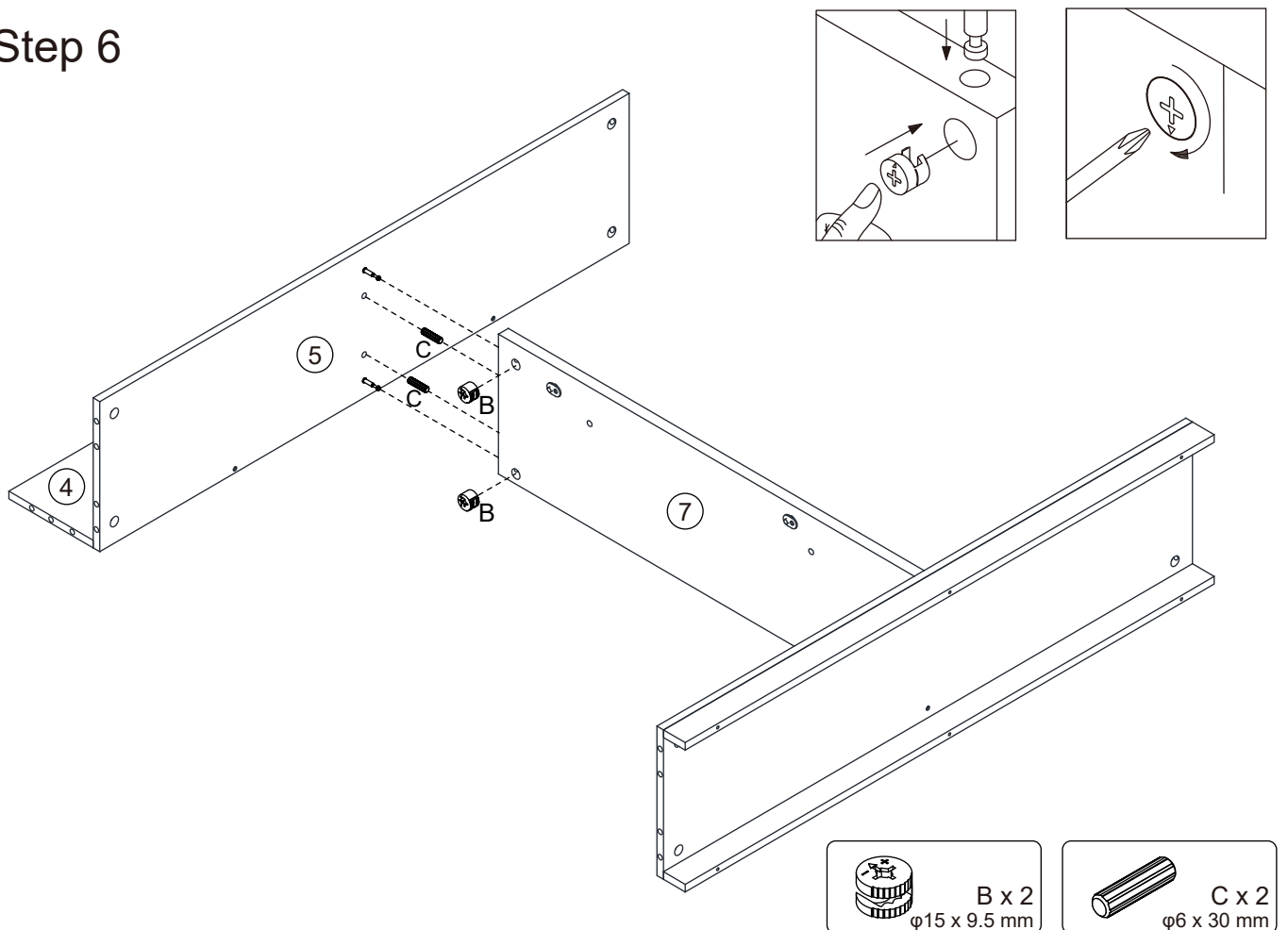
Step 4



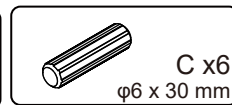
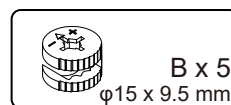
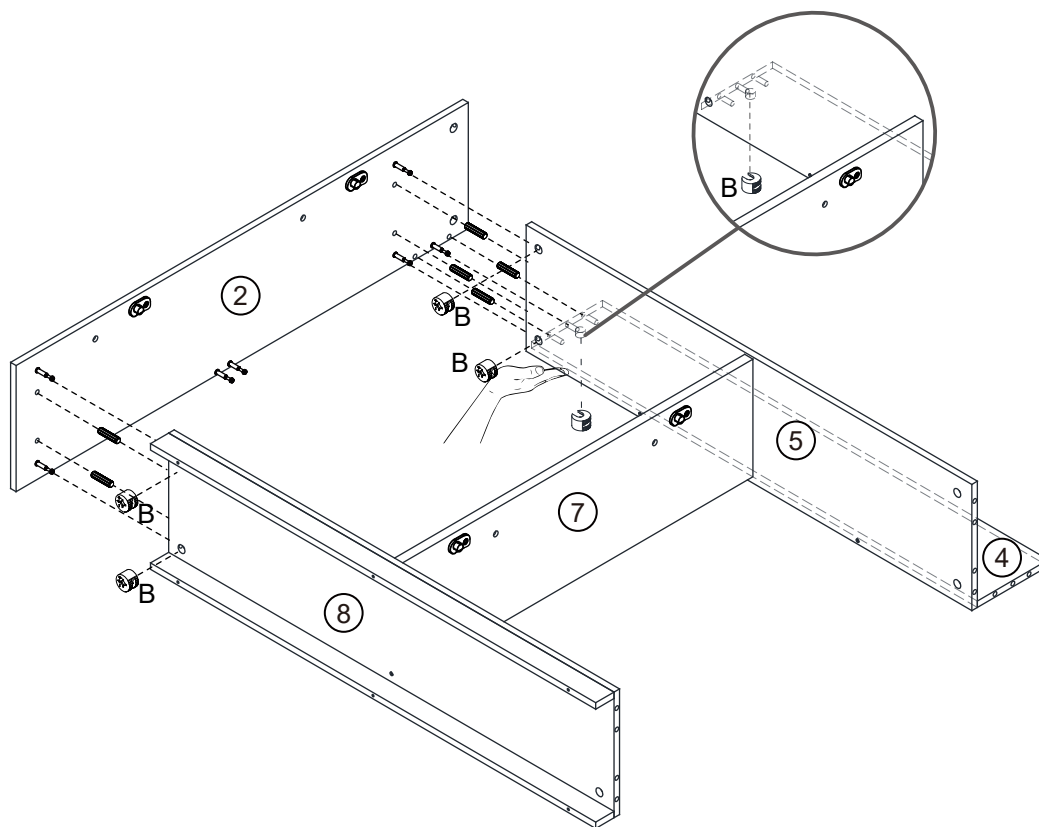
Step 5



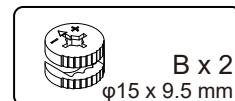
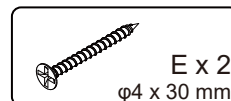
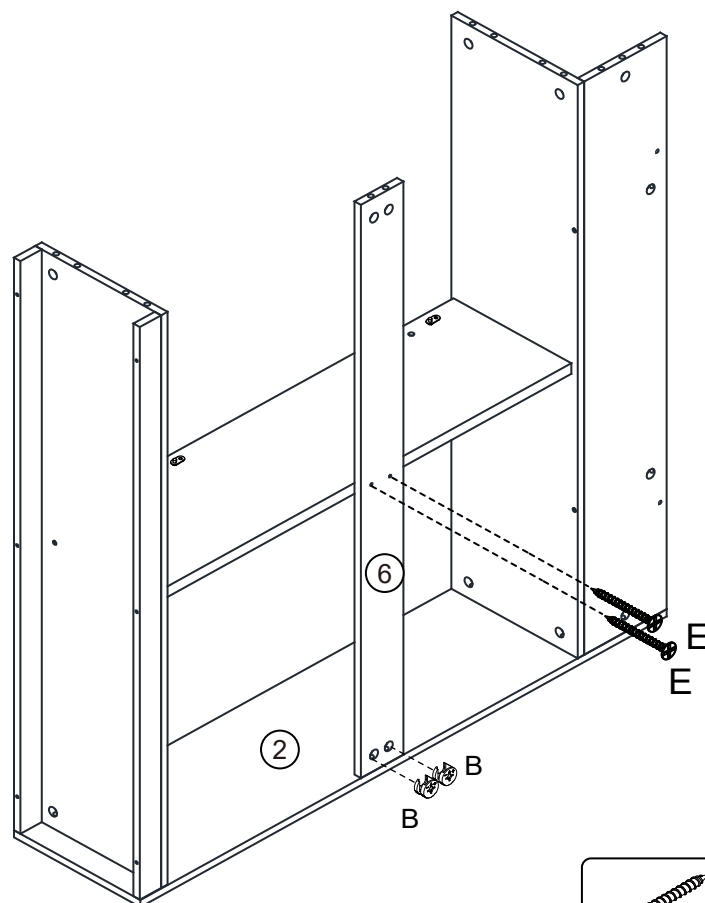
Step 6



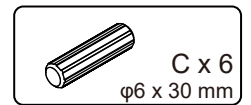
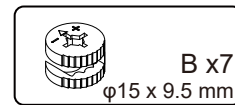
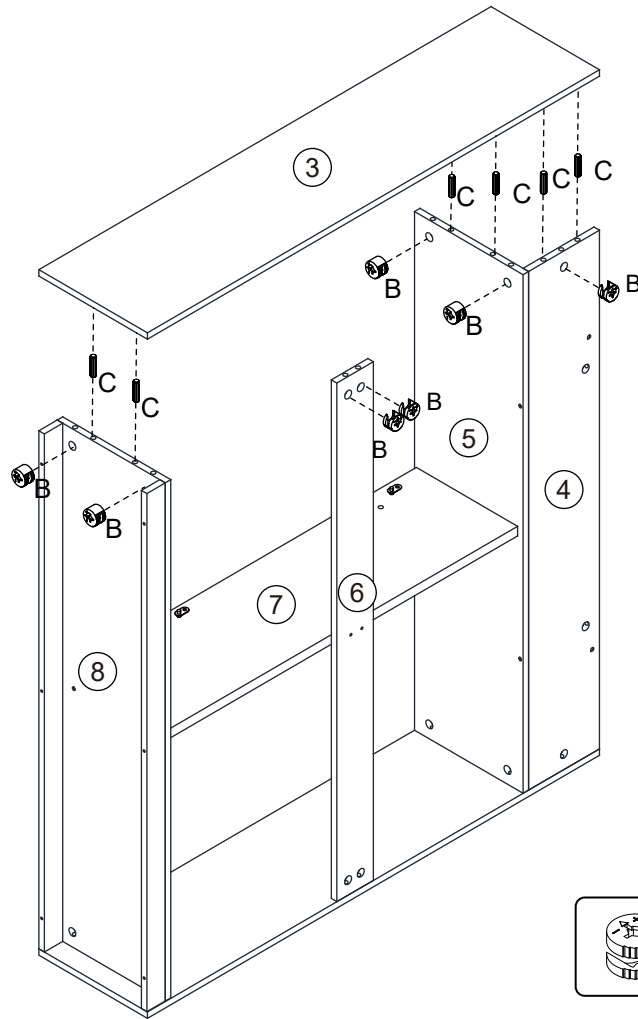
Step 7



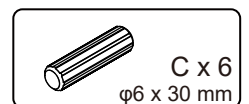
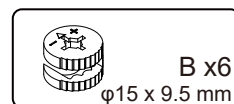
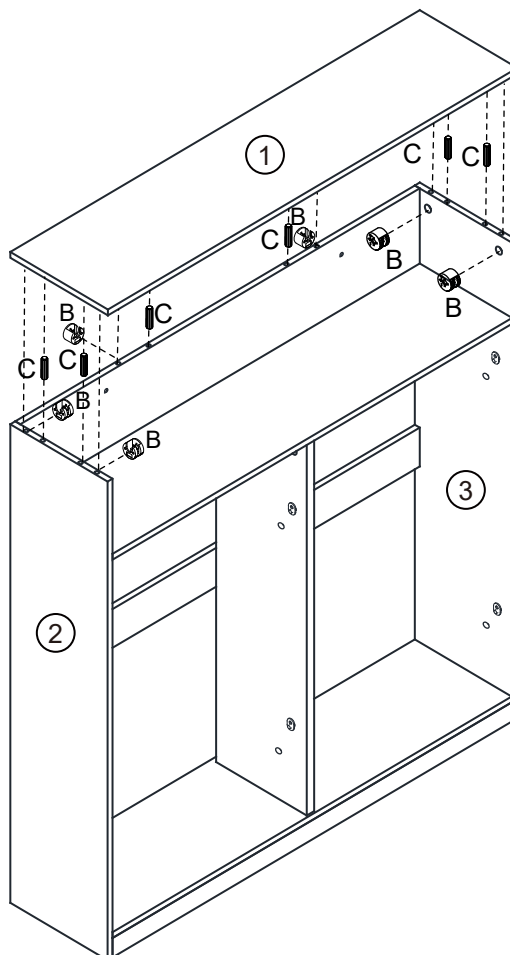
Step 8



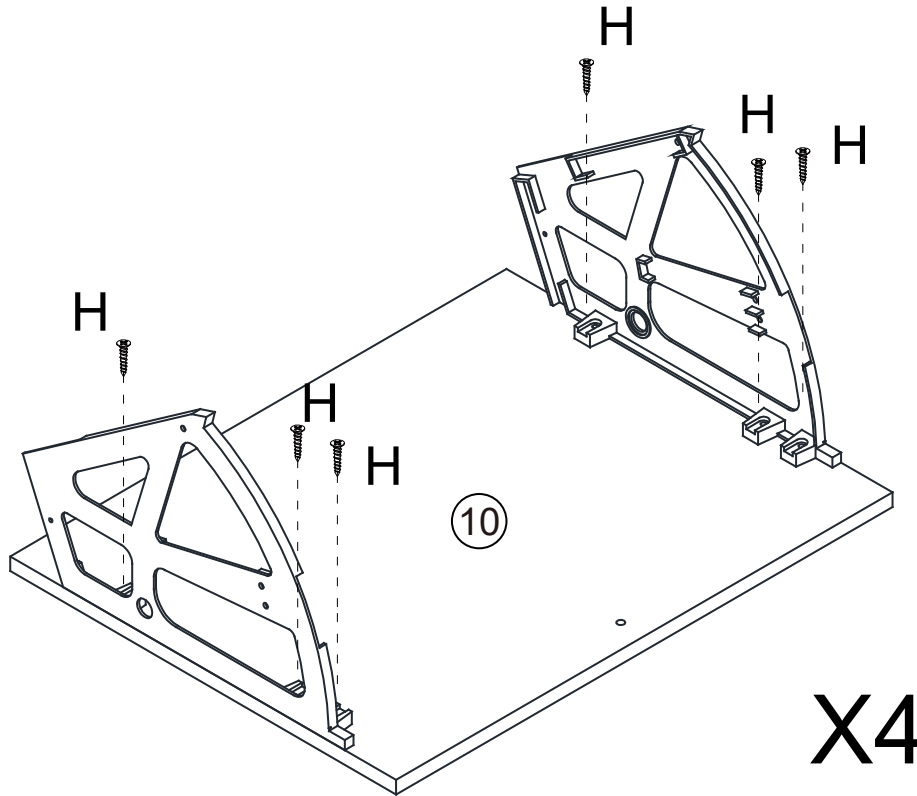
Step 9



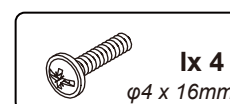
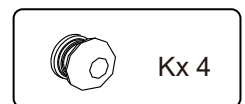
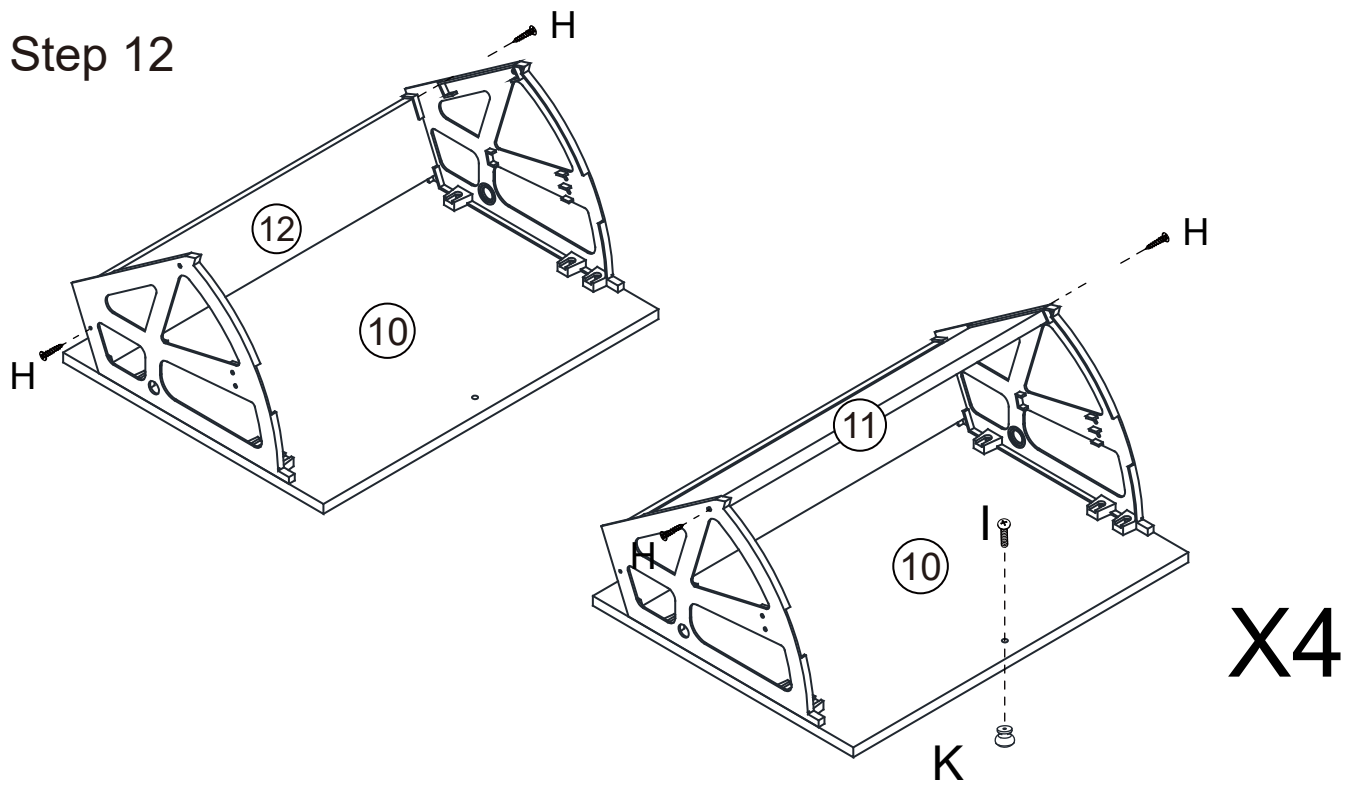
Step 10



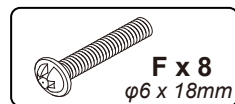
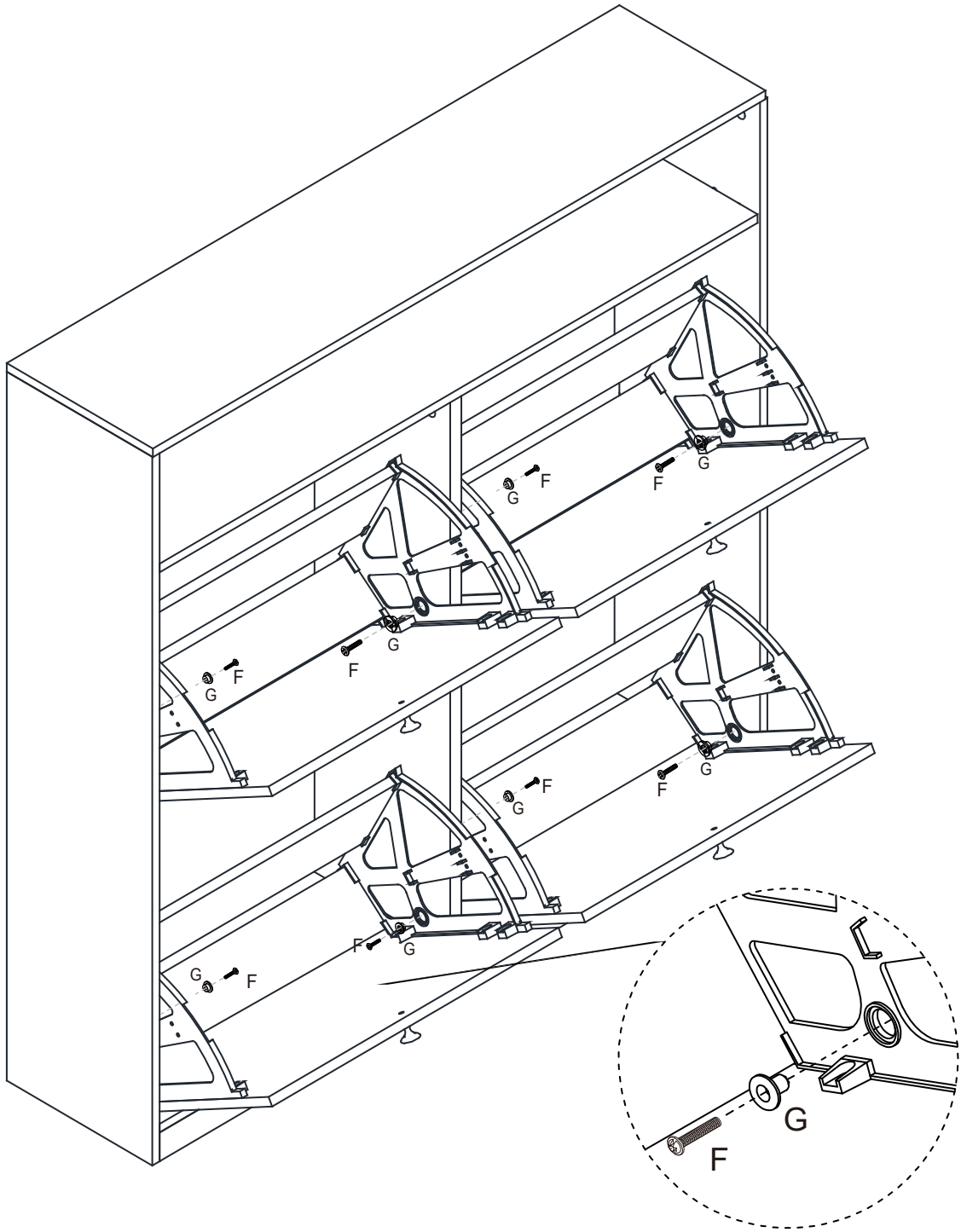
Step 11



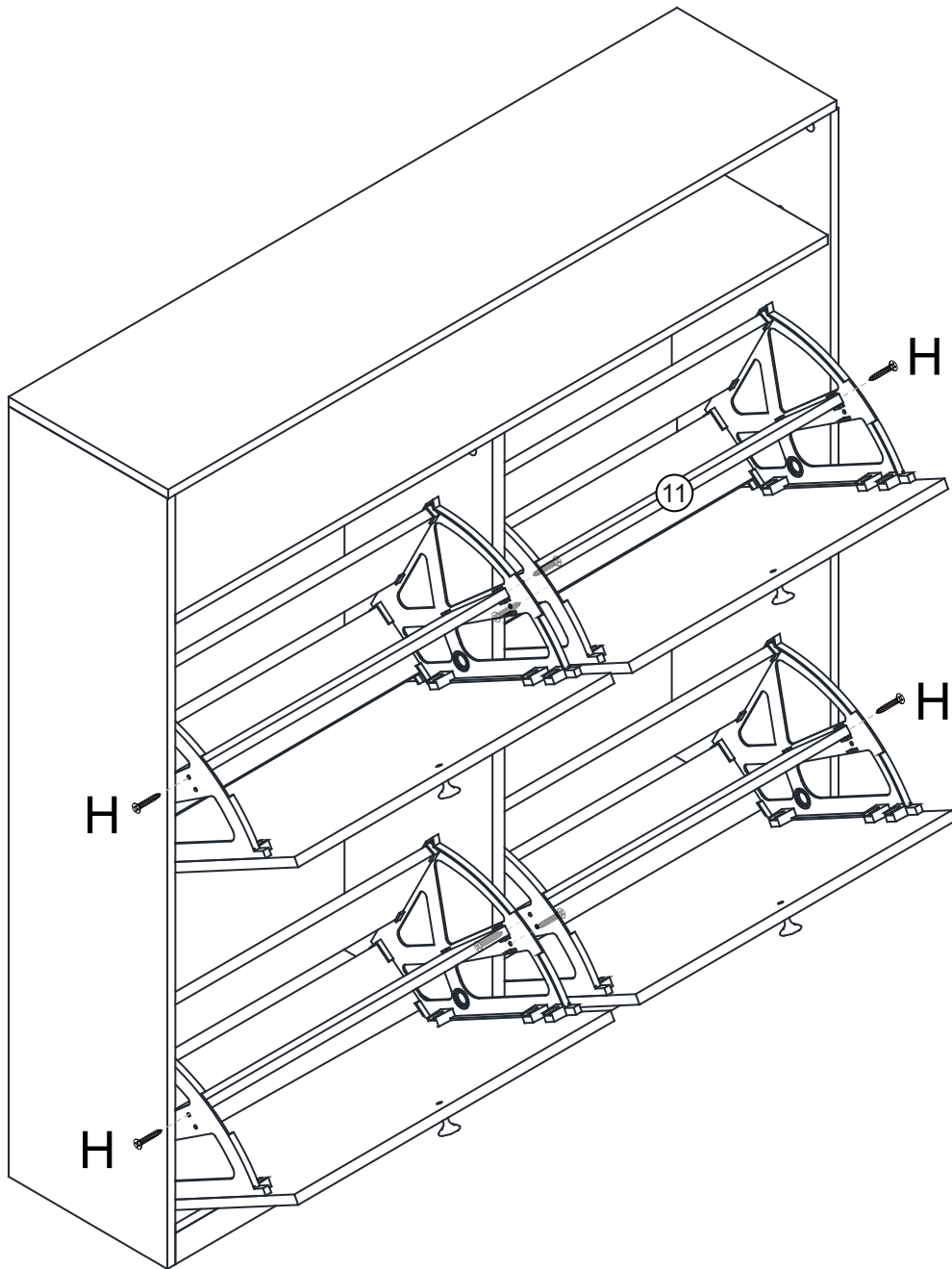
Step 12



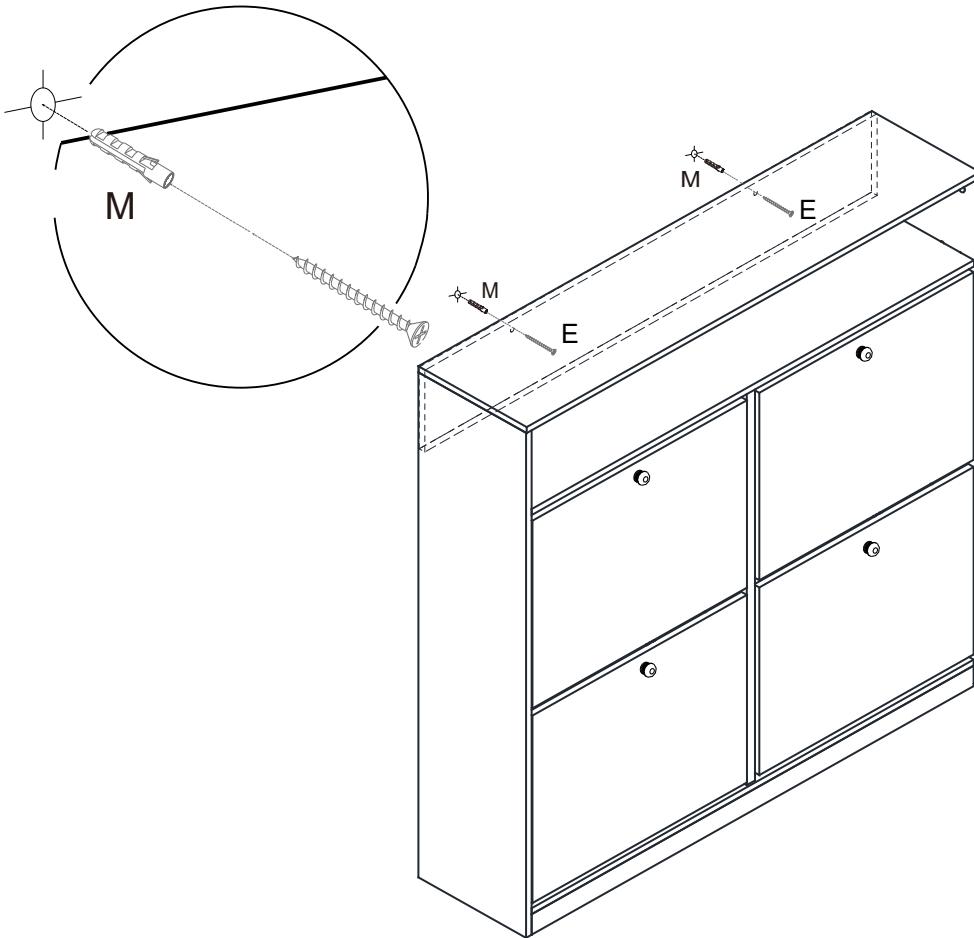
Step 13



Step 14



Step 15



Step 16

