

INSTALLATION INSTRUCTION

Volta 4.5" LED - Recessed Housing

R4R Series (Round Trim and Invisible Round Trim)

WAC LIGHTING
Responsible Lighting®

SAFETY INSTRUCTION

IMPORTANT: NEVER attempt any work without shutting off the electricity.

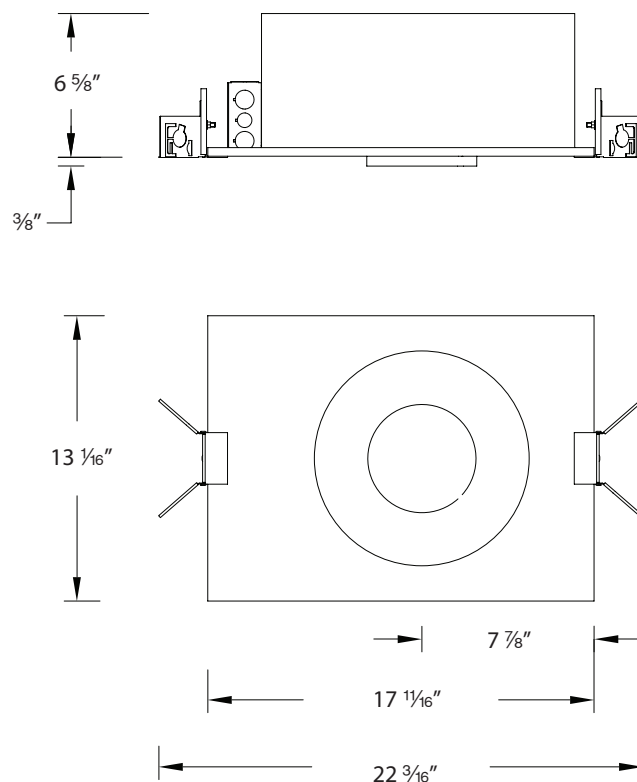
- Read all instructions before installing.
- System is intended for installation by a qualified electrician in accordance with the National Electrical Code and local regulations.
- Go to the main fuse box, or circuit breaker. Place the main power switch in the "OFF" position and unscrew the fuse(s) or switch "OFF" the circuit breaker switch(es) that control the power to the fixture or room that you are working on.
- Place the wall switch in the "OFF" position.

AVERTISSEMENT

IMPORTANT : Coupez l'électricité avant TOUTE manipulation.

- Lisez toutes les instructions avant d'installer.
- Système est destiné à être installé par un électricien qualifié en conformité avec le code national de l'électricité et les règlements locaux.
- Accédez au panneau central de disjoncteurs ou de fusibles de votre demeure et placez l'interrupteur principal en position d'arrêt (« OFF »).
- Placez l'interrupteur mural en position d'arrêt (« OFF »).

OVERALL HOUSING DIMENSION



SPECIFICATIONS

Input: 120-277V; 50/60 Hz

Installation: Non-IC for -36 model (36W)
IC for -25 model (25W)
IC for -15 model (15W)

Dimming: ELV (120V only) or 0-10V

waclighting.com
Phone (800) 526.2588
Fax (800) 526.2585

Headquarters/Eastern Distribution Center
44 Harbor Park Drive
Port Washington, NY 11050

Central Distribution Center
1600 Distribution Ct
Lithia Springs, GA 30122

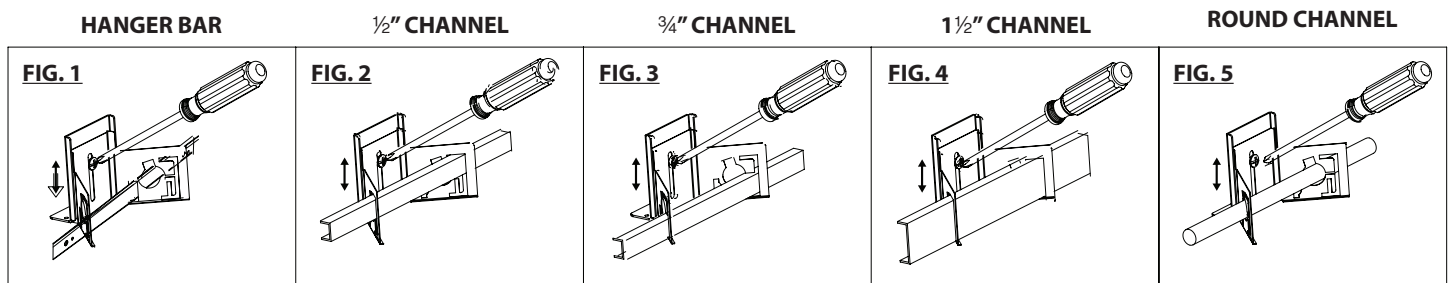
Western Distribution Center
1750 Archibald Avenue
Ontario, CA 91760

INSTALLATION INSTRUCTION

Volta 4.5" LED - Recessed Housing

R4R Series (Round Trim and Invisible Round Trim)

WAC LIGHTING
Responsible Lighting®



HOUSING INSTALLATION:

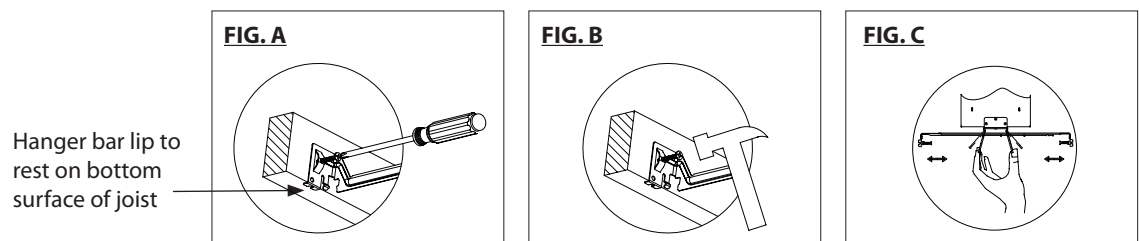
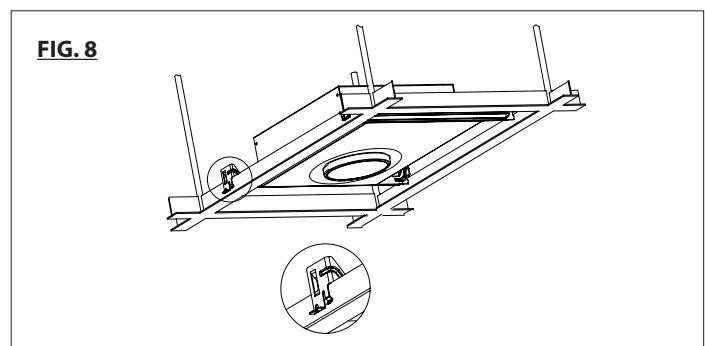
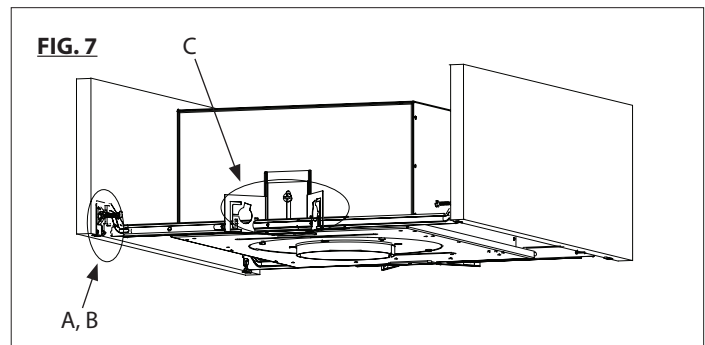
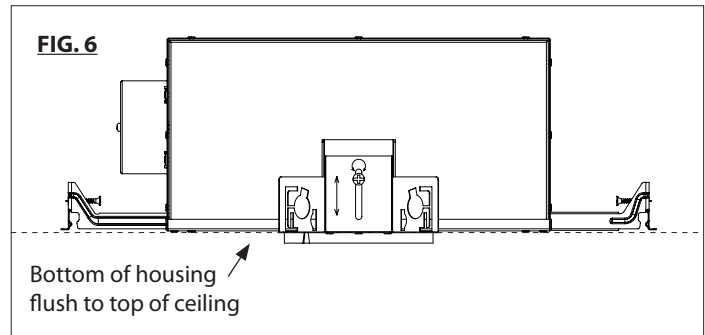
1. Housing features mounting bracket that can be used with hanger bars or various channel supports (See **FIG. 1-5**). Adjust the brackets to proper height by loosening the wing screw such that the bottom of housing is flush to top of finished ceiling plane (See **FIG. 6**). Retighten screws securely.

2. Pinch the two flanges of the brackets towards each other. Slide the male and female hanger bars or other channel supports through the appropriate hole in the brackets.

3. **A. For hanger bar installation on joists:**
Install the hanger bar and housing assembly such that the lip of the hanger bar rests on the bottom surface of the joist. Use a screw-driver or hammer to secure the "screw-nail" into the wood (See **FIG. 7**).

B. For hanger bar installation on grid:
Hanger bars are notched on the ends to fit over "T" bars in suspended ceilings. Support with tie wires (by others) to upper ceiling structure (See **FIG. 8**).

4. Pinch the adjustable bracket and slide the housing along the hanger bars to the desired position (See **FIG. C**). Release to secure the housing in place.



wacighting.com
Phone (800) 526.2588
Fax (800) 526.2585

Headquarters/Eastern Distribution Center
44 Harbor Park Drive
Port Washington, NY 11050

Central Distribution Center
1600 Distribution Ct
Lithia Springs, GA 30122

Western Distribution Center
1750 Archibald Avenue
Ontario, CA 91760

INSTALLATION INSTRUCTION

Volta 4.5" LED - Recessed Housing

R4R Series (Round Trim and Invisible Round Trim)

WAC LIGHTING
Responsible Lighting®

- Remove fixture junction box door and connect fixture wires to building wires: insert each supply wire into appropriate junction box connector. This fixture features electronic low voltage (ELV) or 0-10V dimming capabilities (See **FIG 9**).

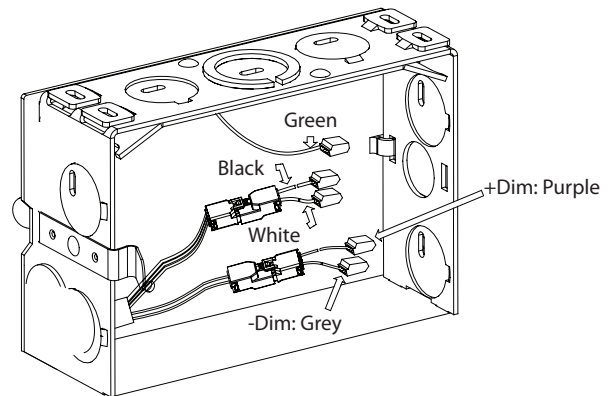
To utilize ELV, wire black (line hot), white (line neutral) and green (ground) in accordance to dimmer specifications.

To utilize 0-10V dimming, wire purple (dim+), gray (dim-), black (line hot), white (line neutral) and green (ground) in accordance to dimmer specifications.

When not using a dimmer, connect black fixture wire to hot, white fixture wire to neutral and green fixture wire to ground. Leave all other wires capped individually.

Place all wiring and connectors back in junction box and replace the junction box's cover.

FIG. 9



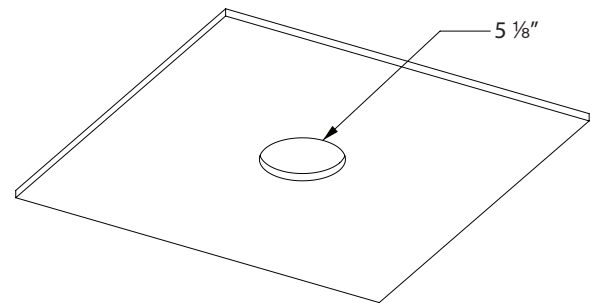
Black: Line Hot
Green: Ground
White: Line Neutral
Purple: 0-10V Dim+
Grey: 0-10V Dim-

- Cut a 5 1/8" diameter hole in the ceiling at the point of installation and install ceiling (See **FIG. 10**).

Note: Ceiling thickness table below

Housing	Trim Model	Trim Description	Ceiling Thickness		
			1/2"	1"	1 1/2"
R4RNT New Construction (Trim)	R4RD2T	Downlight	Yes	Yes	Yes
	R4RD1T	Shallow Regressed Downlight	Yes	Yes	Yes
	R4RAT	Adjustable	Yes, to 45°	Yes, to 35°	Yes, to 25°
	R4RWT	Wall Wash	Yes	Yes	Yes
R4RNL New Construction (Trimless)	R4RD2L	Downlight	Yes	Yes	Yes
	R4RD1L	Shallow Regressed Downlight	Yes	Yes	Yes
	R4RAL	Adjustable	Yes, to 45°	Yes, to 35°	Yes, to 25°
	R4RWL	Wall Wash	Yes	Yes	Yes

FIG. 10



waclighting.com
Phone (800) 526.2588
Fax (800) 526.2585

Headquarters/Eastern Distribution Center
44 Harbor Park Drive
Port Washington, NY 11050

Central Distribution Center
1600 Distribution Ct
Lithia Springs, GA 30122

Western Distribution Center
1750 Archibald Avenue
Ontario, CA 91760

INSTALLATION INSTRUCTION

Volta 4.5" LED - Recessed Housing

R4R Series (Round Trim and Invisible Round Trim)

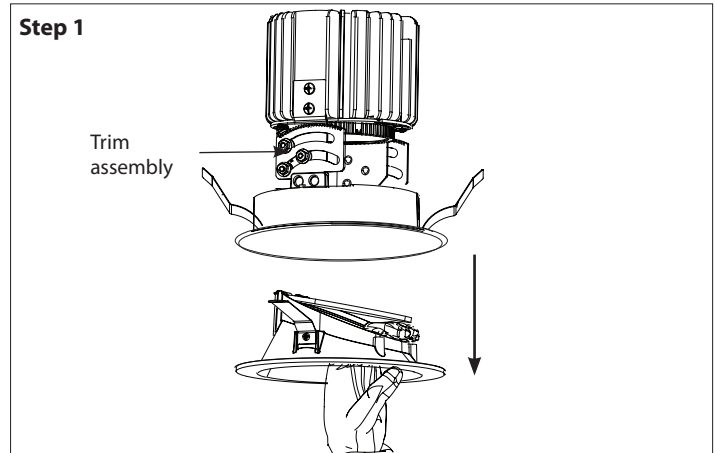
WAC LIGHTING

Responsible Lighting®

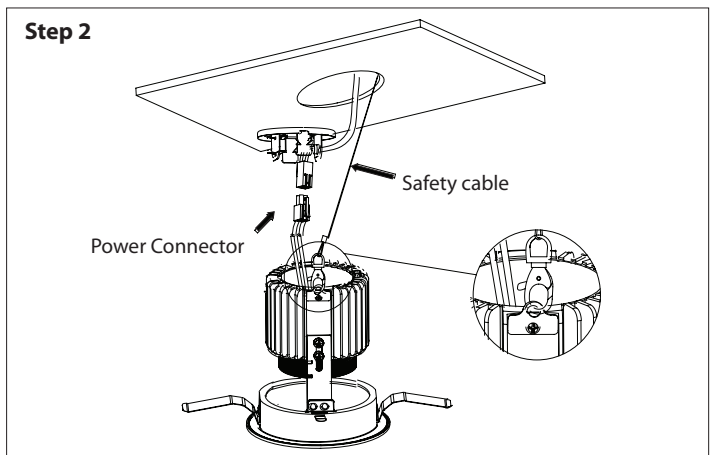
TRIM INSTALLATION:

Follow installation instructions included with appropriate trim to complete installation. Below is generic trim install for representative purposes only.

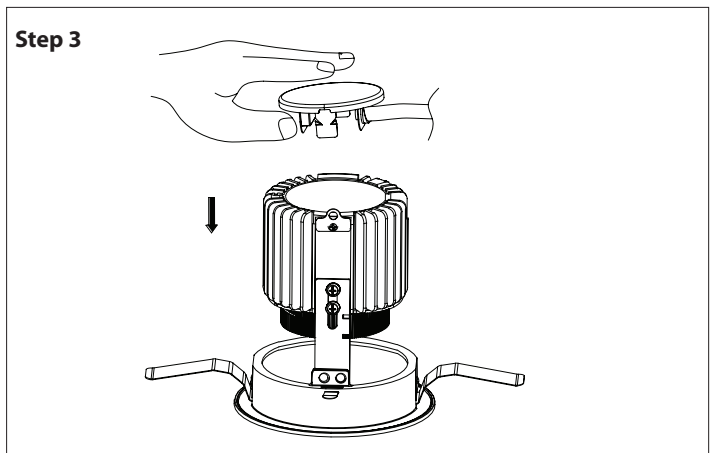
1. Remove trim from trim assembly.



2. Raise trim assembly to ceiling cutout and connect power connector and safety cable.



3. Install connector cap onto top of trim assembly, careful not to pinch power wiring.



waclighting.com
Phone (800) 526.2588
Fax (800) 526.2585

Headquarters/Eastern Distribution Center
44 Harbor Park Drive
Port Washington, NY 11050

Central Distribution Center
1600 Distribution Ct
Lithia Springs, GA 30122

Western Distribution Center
1750 Archibald Avenue
Ontario, CA 91760

INSTALLATION INSTRUCTION

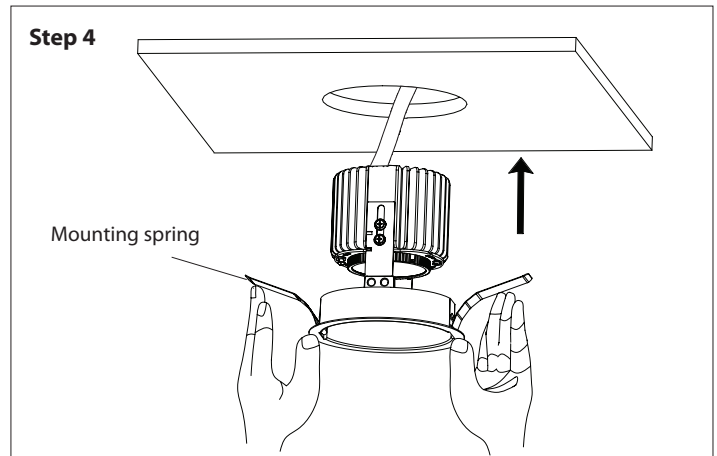
Volta 4.5" LED - Recessed Housing

R4R Series (Round Trim and Invisible Round Trim)

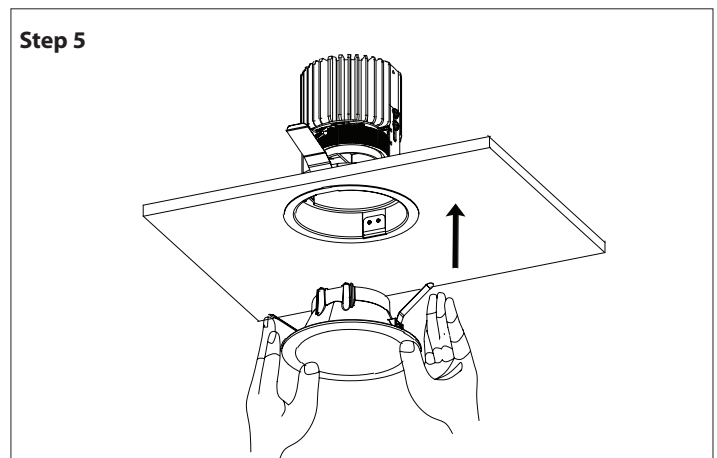
WAC LIGHTING

Responsible Lighting®

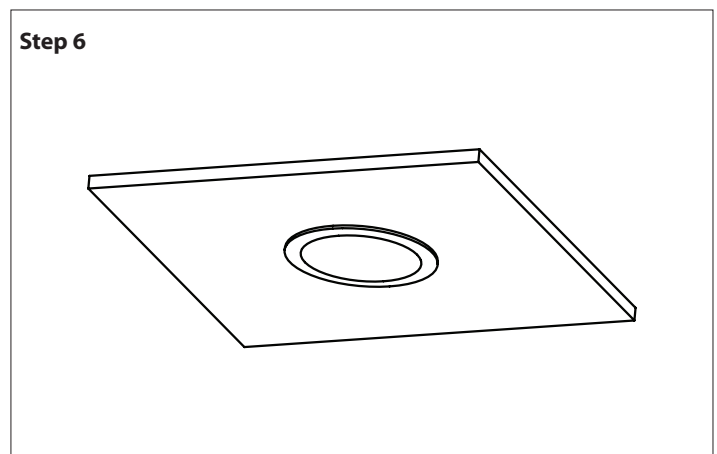
4. Fold trim assembly mounting springs inward and insert trim assembly into ceiling cutout. Be sure once installed, trim assembly is flush and secure.



5. Raise trim into trim assembly. Be sure trim springs mount in appropriate slots in assembly.



6. Trim should be flush to ceiling cutout.



waclighting.com
Phone (800) 526.2588
Fax (800) 526.2585

Headquarters/Eastern Distribution Center
44 Harbor Park Drive
Port Washington, NY 11050

Central Distribution Center
1600 Distribution Ct
Lithia Springs, GA 30122

Western Distribution Center
1750 Archibald Avenue
Ontario, CA 91760

INSTALLATION INSTRUCTION

Volta 4.5" LED - Recessed Housing

R4R Series (Round Trim and Invisible Round Trim)

INVISIBLE TRIM INSTALLATION:

Follow installation instructions included with appropriate invisible trim to complete installation. Below is generic invisible trim install for representative purposes only.

1. Raise the invisible trim frame aligning tab to slot, and secure to aperture mounting plate by using the screws supplied. Put plaster shield inside trim opening (**Step 1**).
2. Apply plaster or spackle over trim frame and sand surface when dry for a finished look (**Step 2**).
3. Remove the plaster shield when finishing is completed (**Step 3**).
4. Raise trim assembly to ceiling cutout and connect power connector and safety cable (**Step 4**).
5. Install connector cap onto top of trim assembly, careful not to pinch power wiring (**Step 5**).
6. After power and safety chain connection, inset trim assembly into ceiling cutout (**Step 6**).
7. Adjust trim assembly to the desired location and lock by using screw driver to secure horizontal adjustable lock (**Step 7**).
8. Raise the invisible trim up to the trim assembly until the trim ring is flush to the ceiling cutout. Be sure trim springs mount in appropriate slots in assembly (**Step 8 & 9**).

