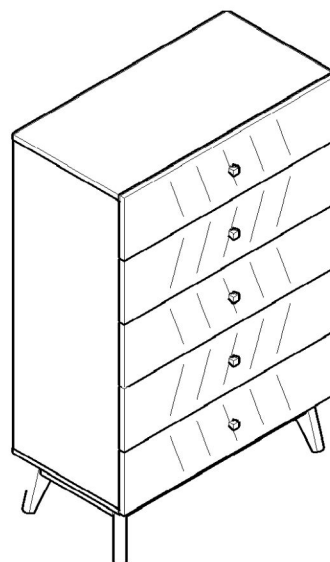


# ASSEMBLY INSTRUCTIONS

Thank you for your purchase.  
 Before assembly, please read these instructions.  
 Please read all warnings.  
 Store this instruction manual for future reference.

L 800 x W 413 x H 1210

|                  |  |
|------------------|--|
| Product Size     | Approximately <b>413</b> Width x <b>800</b> Length x <b>1210</b> Height (MM)   |
| Main Materials   | MDF (Medium Density Fiberboard)  |
| Weight Capacity  | Top insert: About <b>40KG</b> , Shelf insert: About <b>10KG</b> ,<br>※ These are measured figures, not guaranteed figures. |
| Time To Assembly | About <b>60</b> Minutes  |

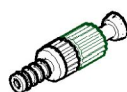


## Assembly Warning

- Assembling with 2 or more people is recommended.
- Please assemble at a spacious and flat place
- Please place blankets or cardboard so floor or walls will not be scratched
- Please ventilate the area if there is a strong glue odor after opening the product
- Please follow assembly instructions
- Please have the below tools ready before assembling
  - Screwdriver, Scissors or Blade Box cutter, Rubber hammer, Drill

## Hardware

Before assembly, inspect unit for missing parts. Be sure that children do not accidentally swallow these parts.  
 ※ Same sized parts are in a bag. Please check the size of the screws.



**A** Minifix M5x24MM **18 Pcs**



**B** Minifix Casing **18 Pcs**



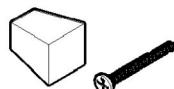
**C** Wood Dowel M8x30MM **30 Pcs**



**D** Drawer Slide 14" **5 Set**  
Screw M3.5x12MM **60 Pcs**



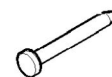
**E** Pvc H Rail **1 Pc**



**F** Pvc Knob Handle **5 Pcs**  
M4x25MM **5 Pcs**



**G** Screw M6x50MM **4 Pcs**



**H** Power Pin **40 Pcs**



**I** Screw M7x50MM **8 Pcs**



**J** Screw M4x38MM **30 Pcs**



**K** Screw M3.5x16MM **4 Pcs**



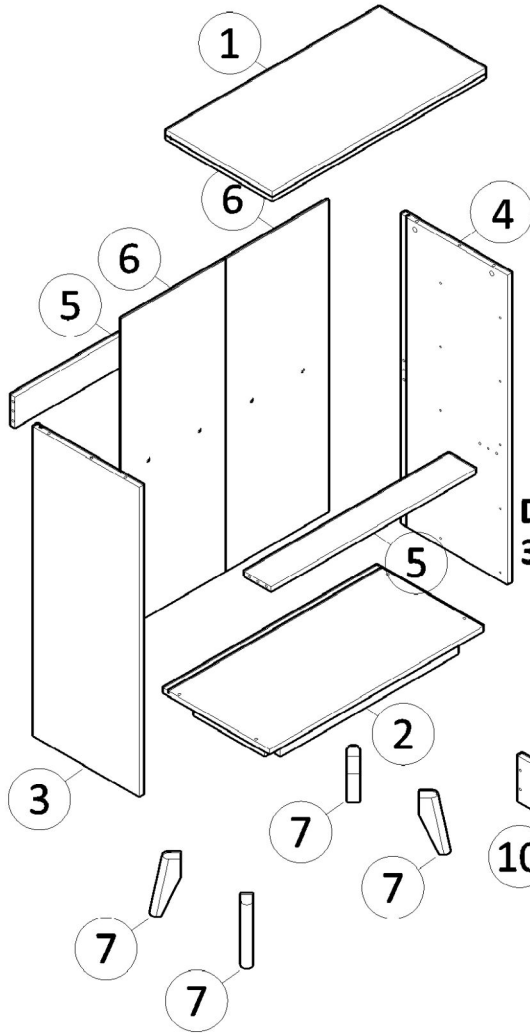
**L** Allen Key **1 Pc**



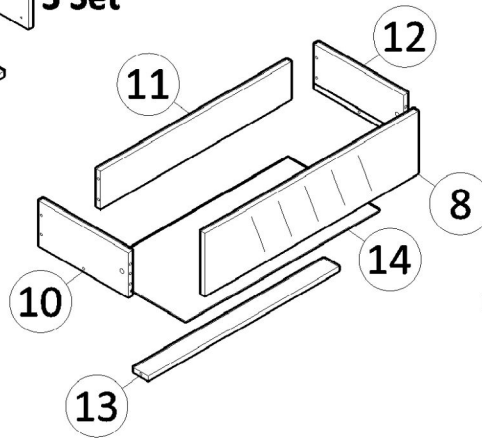
**M** Screw M7x50MM **4 Pcs**

# Parts

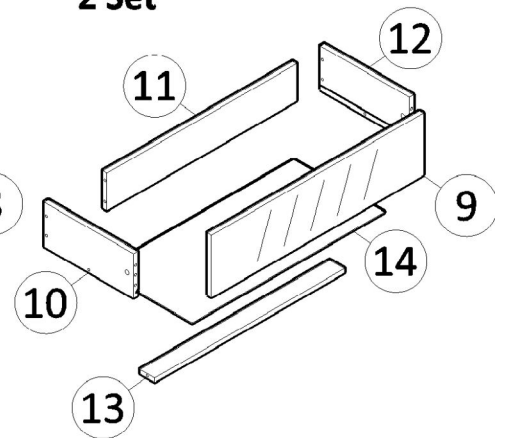
- |                                |              |                                       |       |
|--------------------------------|--------------|---------------------------------------|-------|
| ① Top Panel                    | 1 Pc         | ⑧ Drawer Face Panel<br>1st, 3rd & 5th | 3 Pcs |
| ② Bottom Panel                 | 1 Pc         | ⑨ Drawer Face Panel<br>4th & 5th      | 2 Pcs |
| ③ Side Panel (L)               | 1 Pc         | ⑩ Drawer Side<br>Panel (L)            | 5 Pcs |
| ④ Side Panel (R)               | 1 Pc         | ⑪ Drawer Side<br>Panel (R)            | 5 Pcs |
| ⑤ Support Panel &<br>BackPanel | 1 Pc<br>1 Pc | ⑫ Drawer Back<br>Panel                | 5 Pcs |
| ⑥ Back Mdf Board               | 2 Pcs        | ⑬ Drawer Support<br>Panel             | 5 Pcs |
| ⑦ Leg Panel                    | 4 Pcs        | ⑭ Drawer Mdf Board                    | 5 Pcs |



**Drawer 1st, Drawer 3rd & 5th  
3 Set**


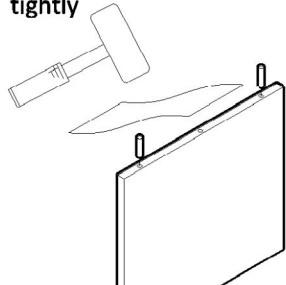
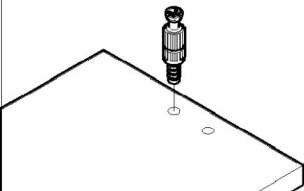
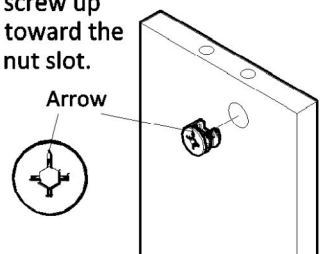

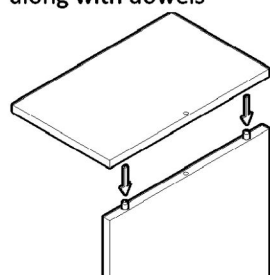
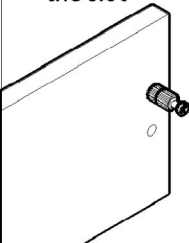
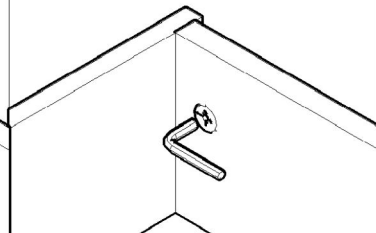


**Drawer 2nd & Drawer 4th  
2 Set**



## Assembly Information

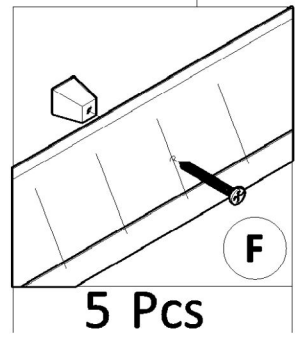
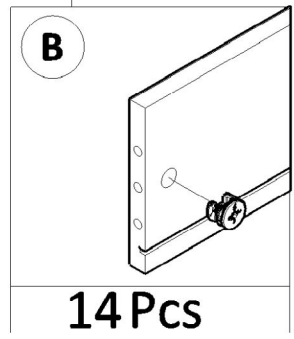
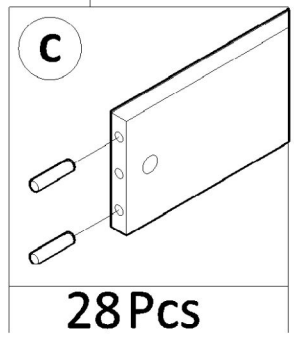
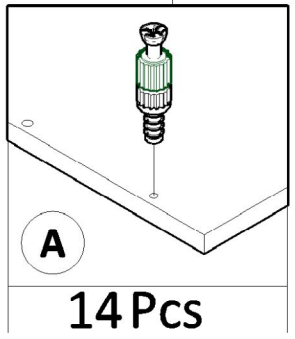
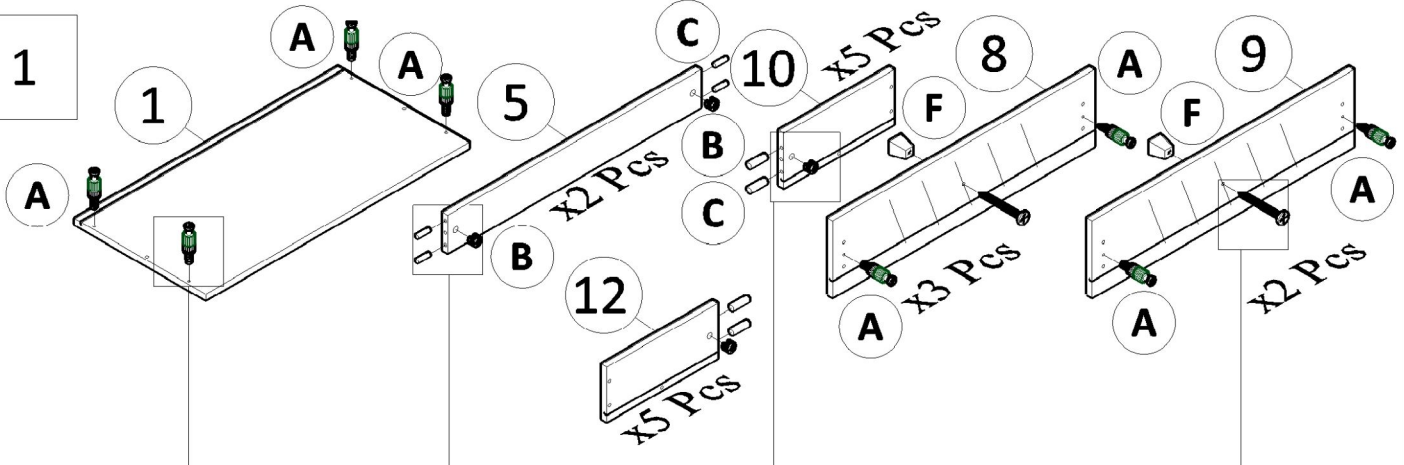
- Assemble screws
- Assemble Wood Dowels
- Assemble Minifix

|  |   |  |  |
|--|---|--|--|
| <p>1. Screw up to half point to make sure all spots are lined up</p>  | <p>1. Insert dowels into holes tightly</p>           | <p>1. Screw Up Minifix M5X24MM into holes. Tighten all Minifix.</p>        | <p>2. Insert Minifix Casing into holes. Set the arrow of the screw up toward the nut slot.</p>  |
| <p>2. Tighten all screws</p>    | <p>2. Attach the insert holes along with dowels</p>  | <p>3. Insert Minifix M5X24mm and Minifix Casing together into the slot</p>  | <p>4. Tighten the cam lock screw<br/>※Use Allen Key or Screwdriver</p>                          |

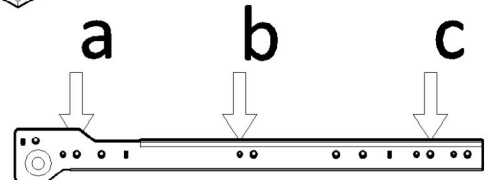
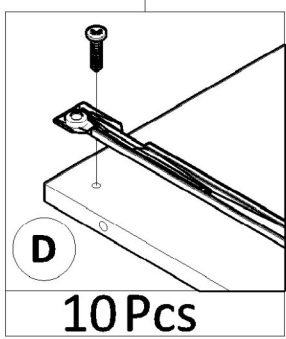
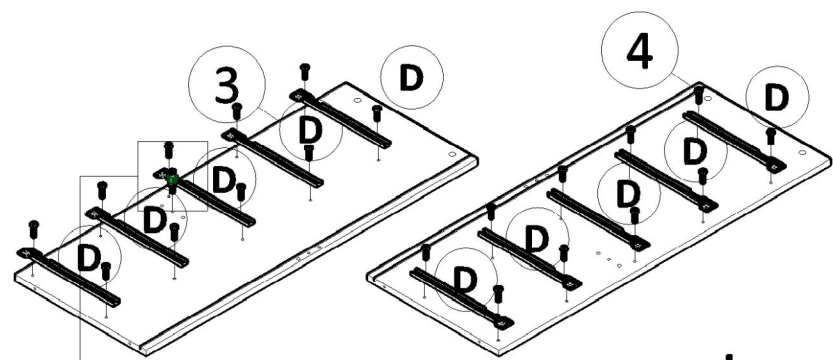
# Assembly Step

Failure to follow these directions could cause poor strength or stability.  
 Insert screws loose to line up with slots then tighten up each screw.

1



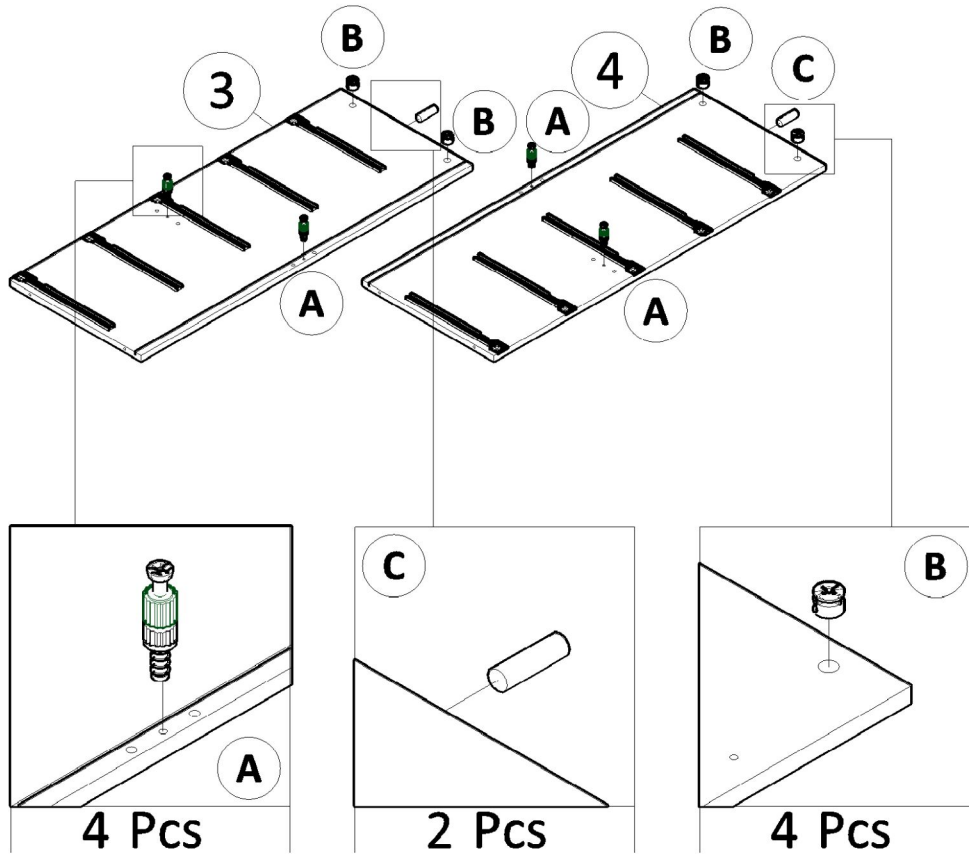
2



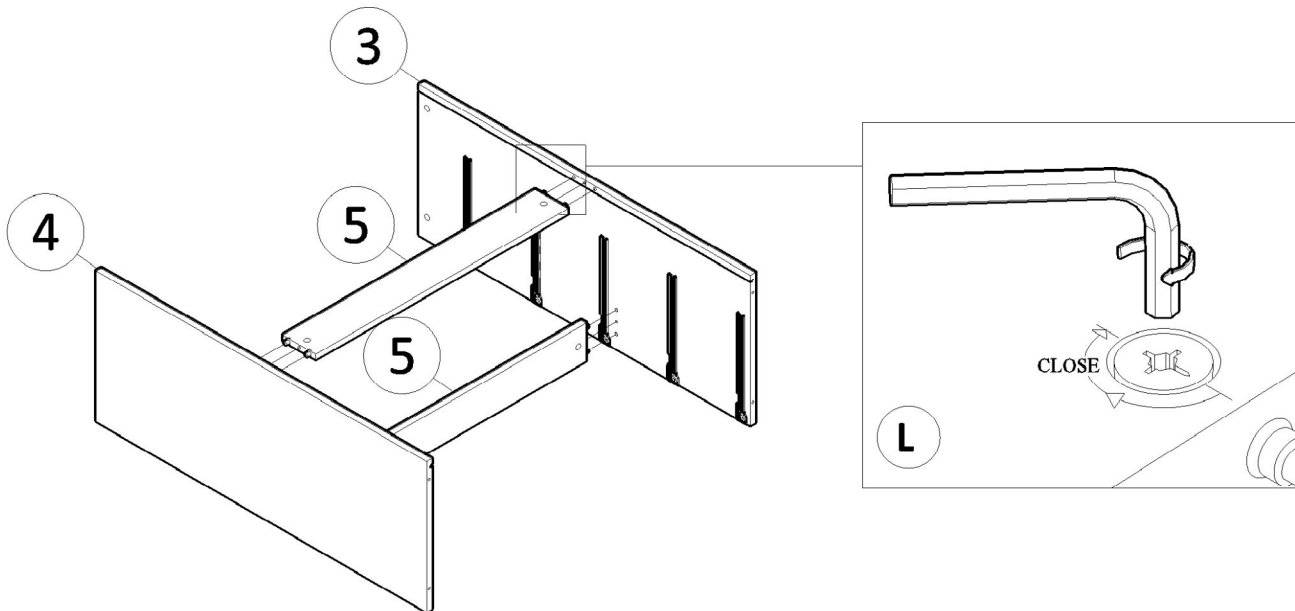
- # Screw in hole a, b and c
- # CL for panel 3
- # CR for panel 4

# Assembly Step (Continue)

3

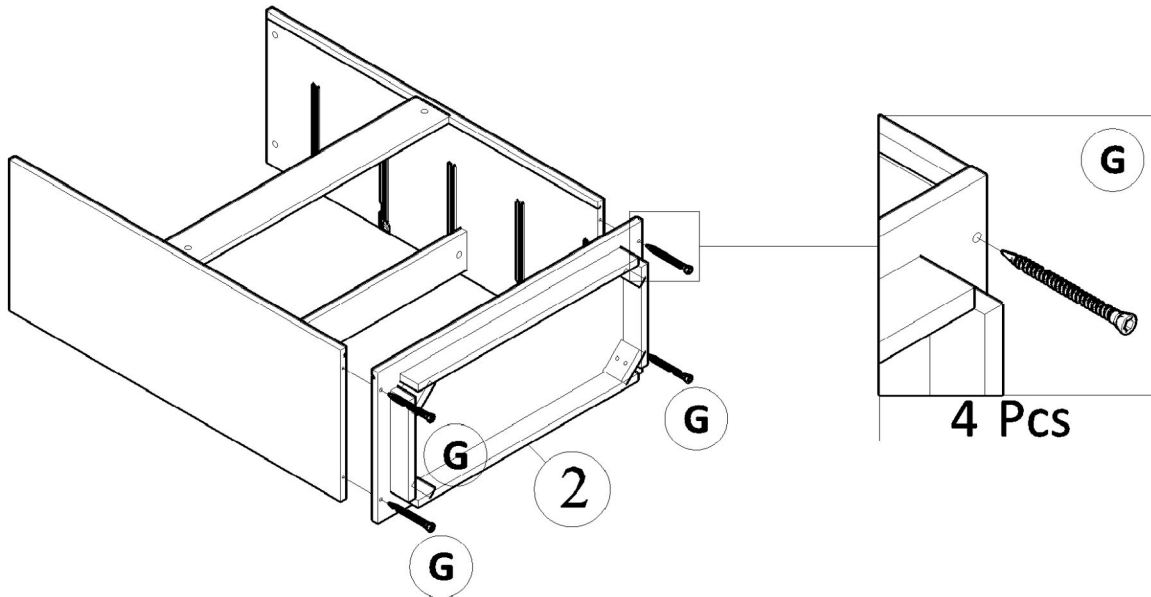


4

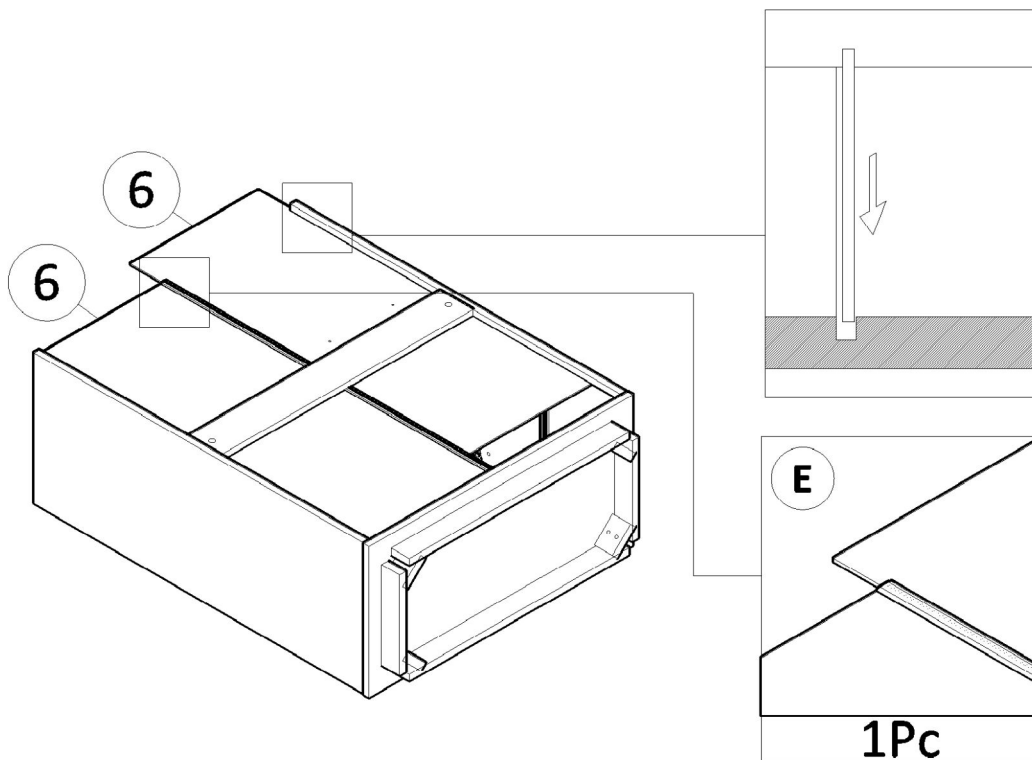


# Assembly Step (Continue)

5

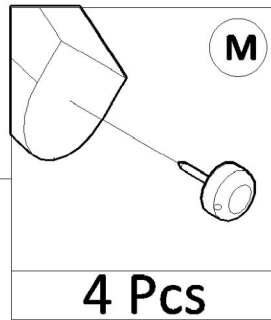
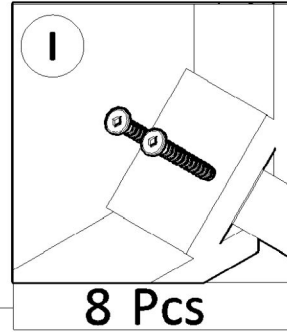
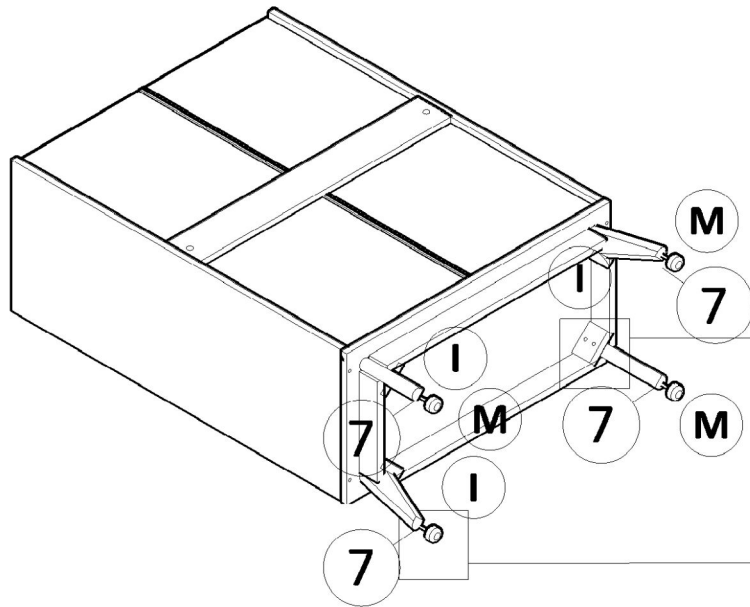


6

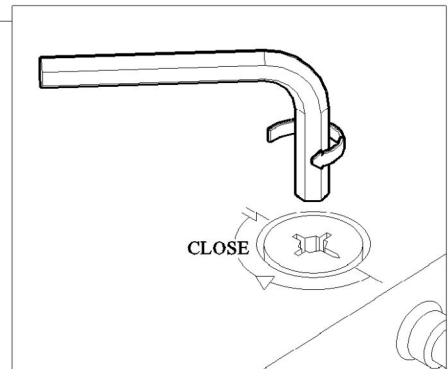
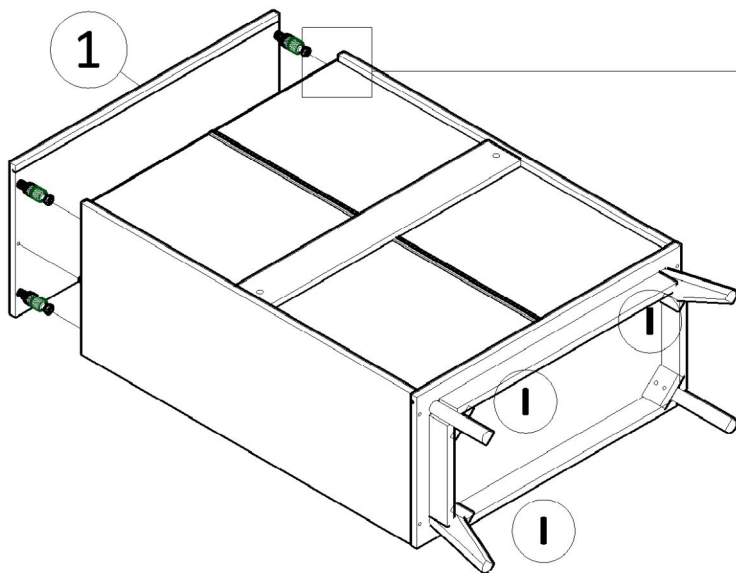


# Assembly Step (Continue)

7

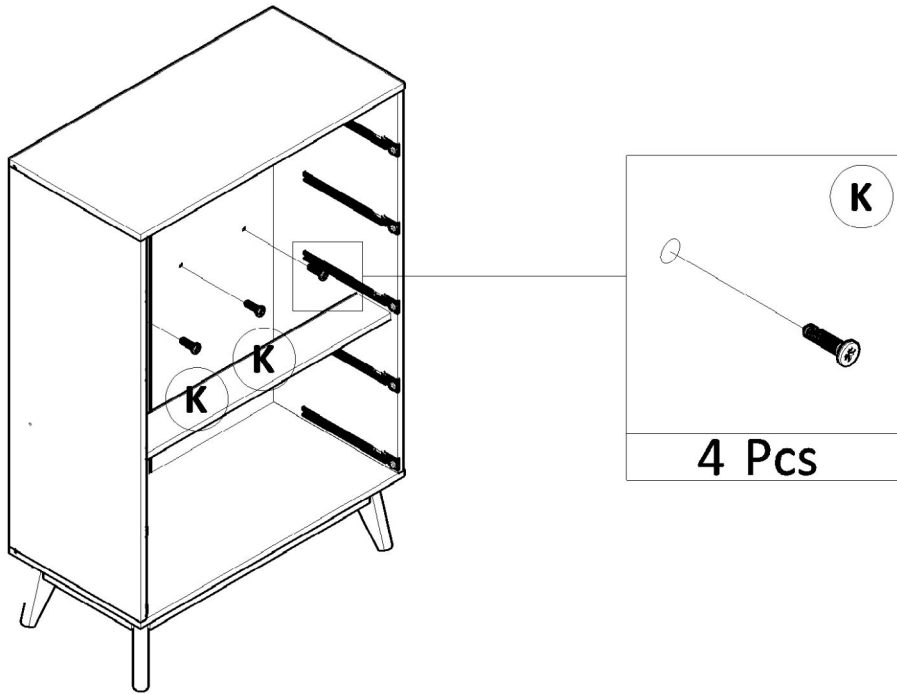


8

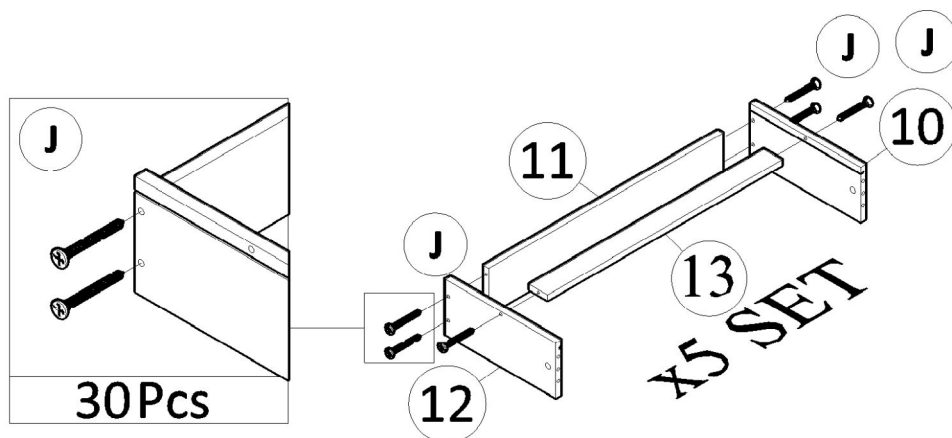


# Assembly Step (Continue)

9



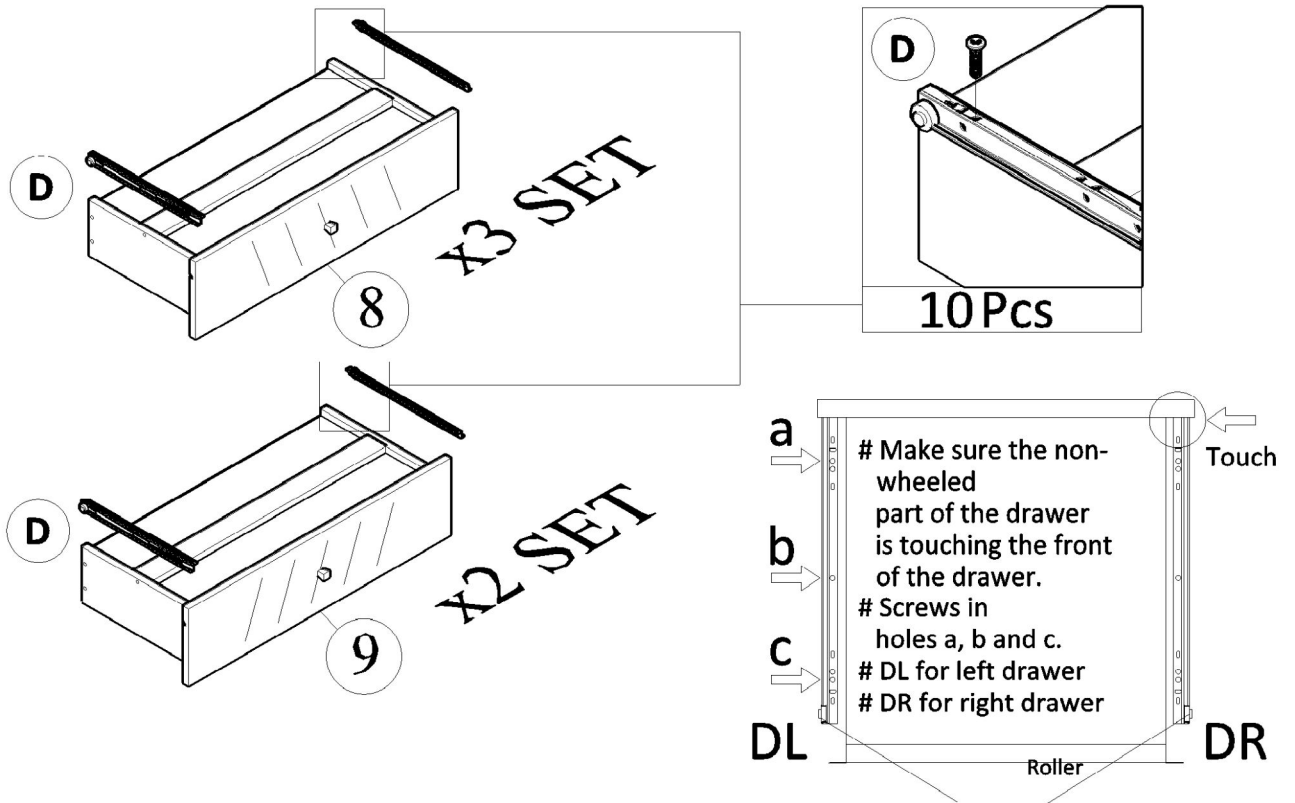
10



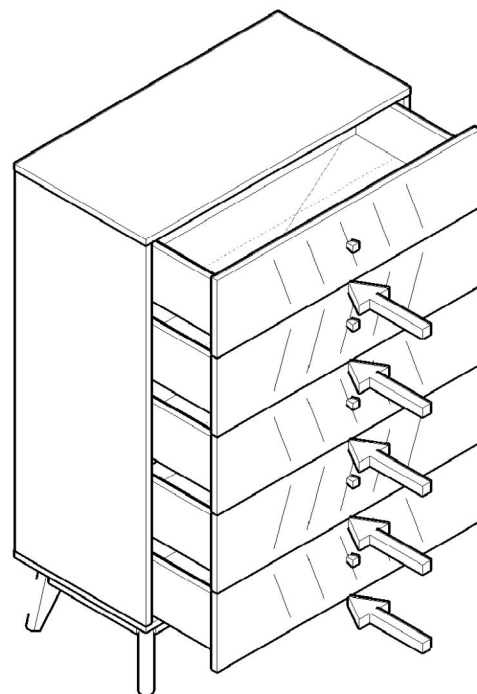


# Assembly Step (Continue)

13



14 FINAL STEP



# Safety

Please read the below warnings before use.

Failure to follow these warnings could result in serious injury.



## CAUTION !!!

### Purpose

- Do not use this unit except for original application
- This unit is for household use. Do not use it for wholesale.
- This unit is for indoor use. Do not use it outside.

### Assembly

- Assembling with 2 or more people is recommended
- Please assemble at a spacious and flat place
- Please place blankets or cardboard so floor or walls will not be scratched
- Please ventilate the area if there is strong glue odor after opening the product
- Please follow assembly instructions

### Placing The Unit

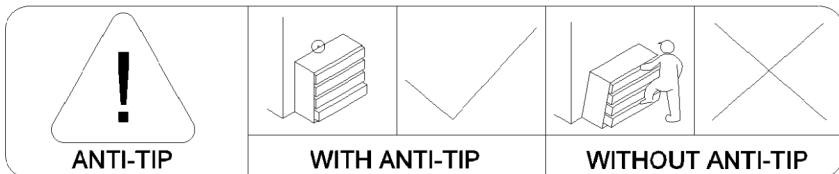
- Store the unit on a flat surface.
- Place a mat under the unit if you place it on wood floors for floor protection
- Do not place the unit in areas where conditions are extreme, such as direct sun or a humid place
- Do not place the unit in a hot or humid area, such as near the heater or fireplace

### Usage

- Please check your surroundings when you use this unit
- Do not place any hot or wet objects on the unit
- Remove all objects on the unit when you move it
- Do not leave water or wet objects on the surface.
- Do not use it for toys
- Do not stand on it or use it for a step stool.
- Do not overload only the top drawers. Load the same amount to help prevent tipping of the unit.
- Do not leave drawers open or put pressure on opened drawers to help prevent falling or wrecking.
- Do not stand or put pressure on opened drawers.
- Colors could fade
- Please open drawers slowly
- Make sure you do not catch your finger when you use the drawer.
- Weight Capacity Top insert: About **40KG** , Shelf insert: About **10KG**,  
※ These are measured figures, not guaranteed figures

# Cleaning

- Please check all assembled parts are tight regularly. (About once a month)
- Use dry soft cloths for dust and spots
- For heavy spots, use clothes with neutral detergent then dry in a well ventilated area.
- Do not use if any parts are broken.
- Please recycle the unit or its package depending on your city rules.

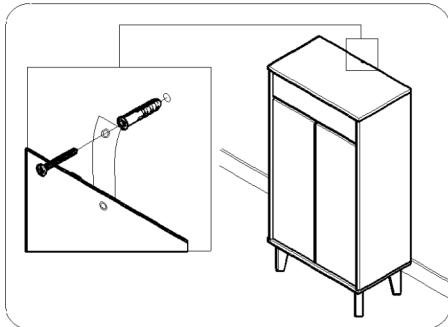
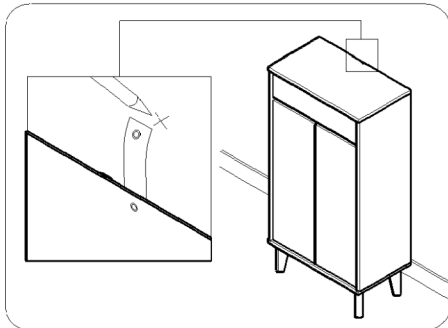
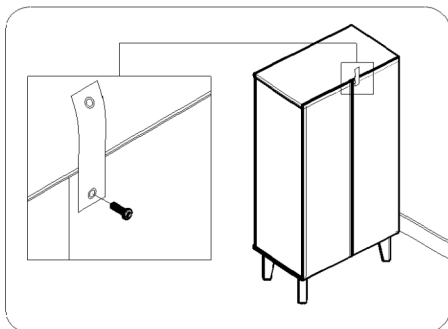
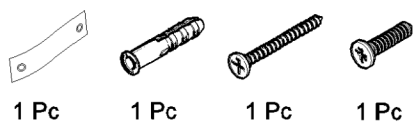


### Installation Instruction :

A tip restraint must be attached to a wall stud using the 2" screw enclosed.

1. Attach a strap to the back top rail or back top edge of the furniture using the 5/8" screw provided.
2. Locate the strap on the wall over a wall stud and 2 inches below the back of the mounting strap secured to the back of your unit. Attach to the wall stud using the 2" screw provided, through the smaller hole.
3. Place the furniture into position so both mounting strap are vertically in line.
4. Lace the end of the restraint strap through the larger hole in each mounting strap. Bring both ends together and slide the flat end through the locking end and draw it through until all slack is removed.
5. Confirm that the strap is securely laced and locked.

Part Include :



### ANTI-TIP DEVICE INSTALLATION INSTRUCTION

#### IMPORTANT SAFETY INSTRUCTIONS

Read and follow all instructions when using the range to prevent the risk of personal injury or damage. This guide does not cover all possible conditions that may occur. Always contact your service agent or manufacturer about problems that you do not understand.



This is the safety alert symbol. This symbol alerts you to potential hazards that can result in property damage and/or serious bodily harm or death. All safety messages will follow the safety alert symbol and either the word **WARNING** or **CAUTION**. These words means:



**WARNING** - Indicates a hazardous situation which, if not avoided, could result in death or serious injury.



**CAUTION** - Indicates a hazardous situation which, if not avoided, could result in minor or moderate injury.

#### ANTI-TIP DEVICE



#### WARNING

- **TO REDUCE THE RISK OF TIPPING, THE APPLIANCE MUST BE SECURED BY A PROPERLY INSTALLED ANTI-TIP DEVICE, TO CHECK IF THE DEVICE IS INSTALLED PROPERLY, VERIFY THAT ANTI DEVICE IS ENGAGED, OR GRASP THE TOP REAR EDGE OF THE RANGE BACK GROUND AND CAREFULLY ATTEMPTED TO TILT IT FORWARD.** Refer to the installation section for instructions.
- A child or adult can tip the range and be killed.
- Install the anti-tip device to the structure and/or the range. Verify the anti-tip device has been properly installed and engaged following the instructions on the anti-tip bracket template.
- Engage the range to the anti-tip device following the instructions on the anti-tip bracket template. Ensure the anti-tip device is re-engaged when the range is moved by following the instruction on the anti-tip bracket template.
- Re-engage the anti-tip device if the range is moved. Do not operate the range without the anti-tip device in place and engaged.
- See installation instruction for details.
- Failure to do so can results in death or serious injury to children or adults.
- Never remove the dresser/chest of drawer legs. The range will not be secured to the anti-tip bracket it the legs are removed.
- Do not step or sit on drawers. The range could be tipped and injury might result.
- Do not rest large heavy items on the open drawer. The range could tip forward and cause injury.
- Re-engage the anti-tip device after pulling the range out for moving or any other reason.
- Failure to follow these instructions can result in serious injury or death to children or adults.