

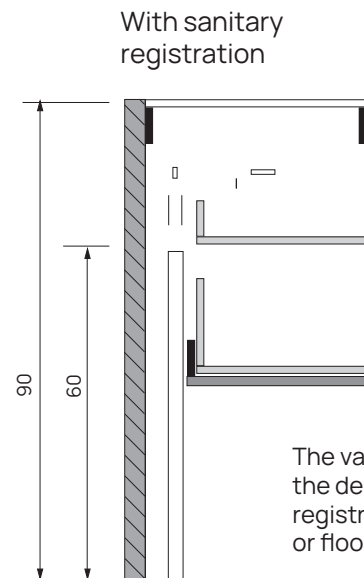
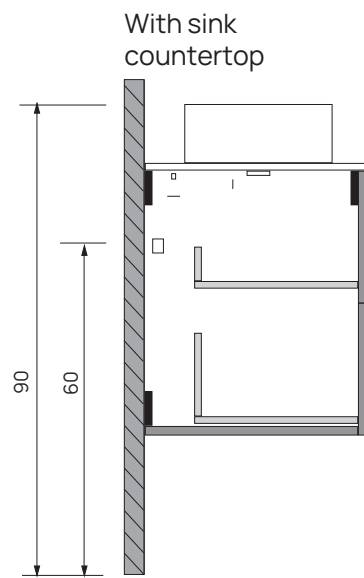
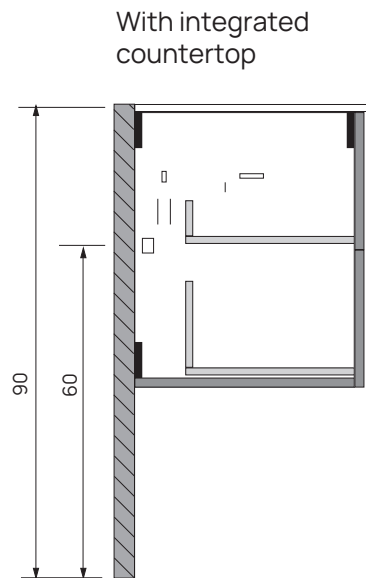
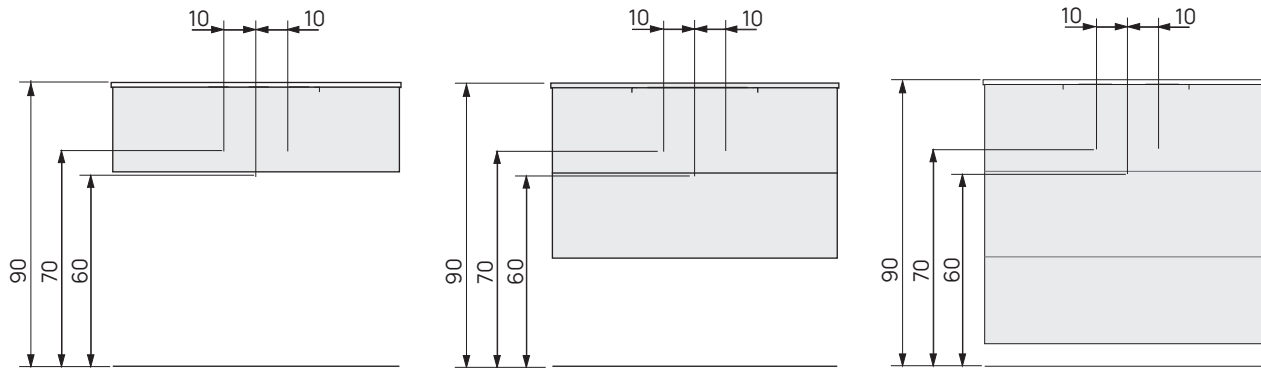
INSTALLATION GUIDE Melrose Collection



To avoid scratches, scuffs, and other damages, do not assemble your vanity directly on the floor. Place a sheet of cardboard or another protective surface on the floor, and assemble your vanity on top of it. Always protect all surfaces from sharp objects, high heat sources, direct prolonged sunlight, and harsh chemicals.

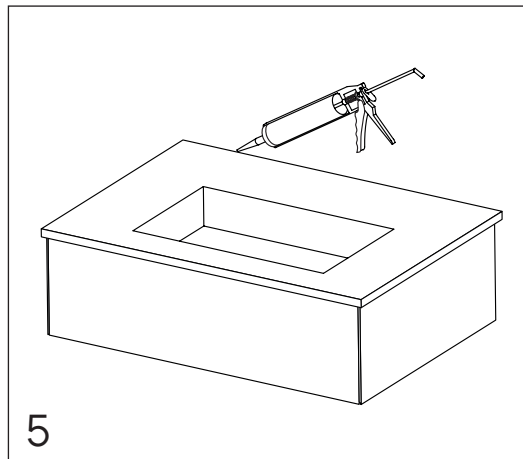
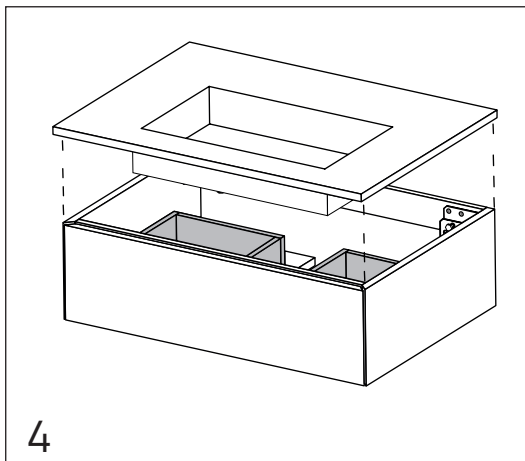
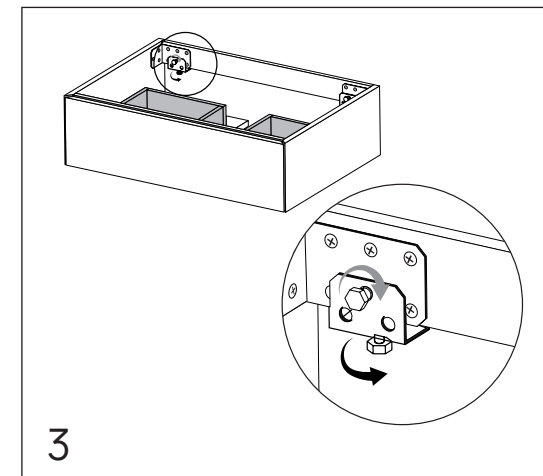
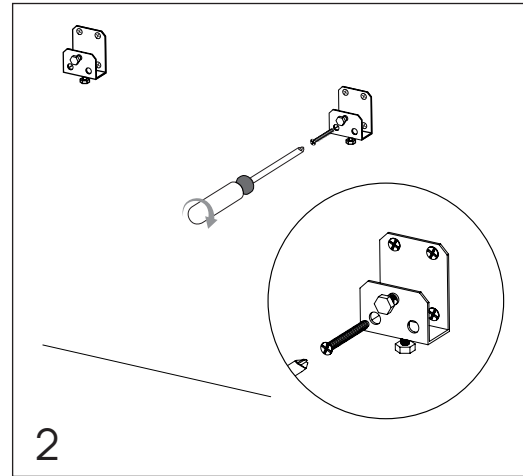
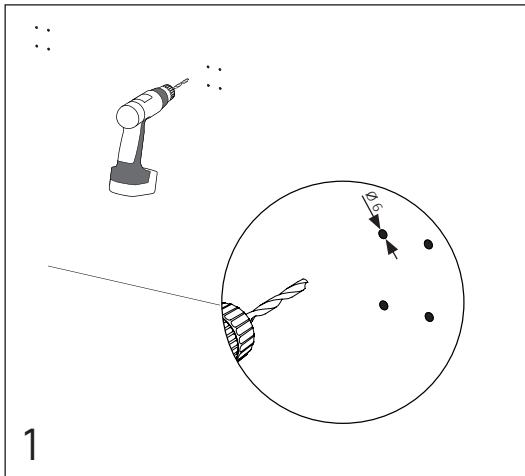
Professional installation is recommended.

TECHNICAL INSTALLATION DIMENSIONS



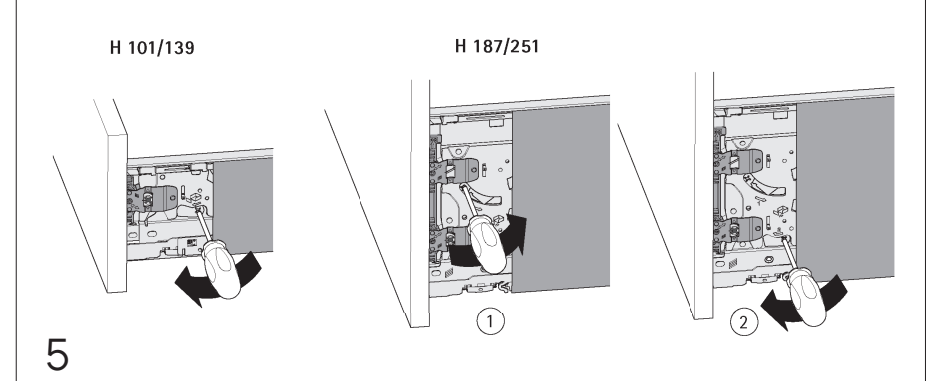
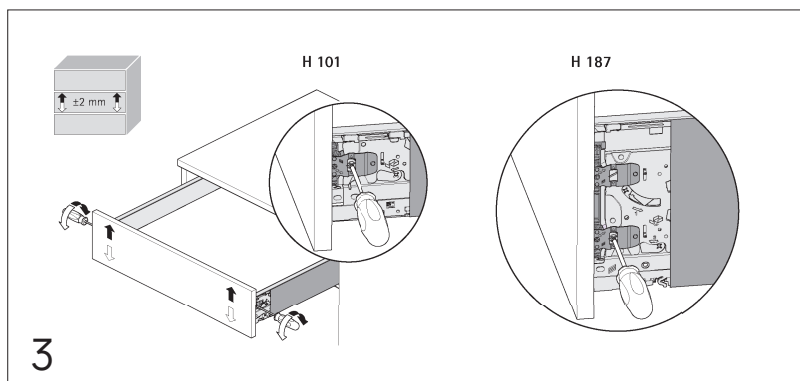
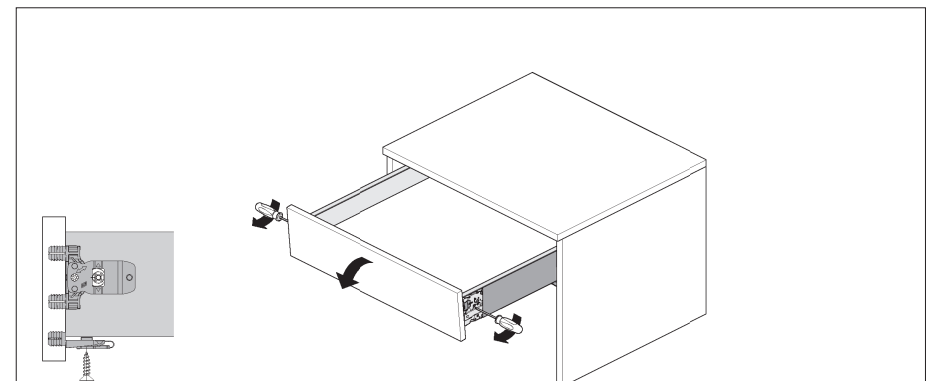
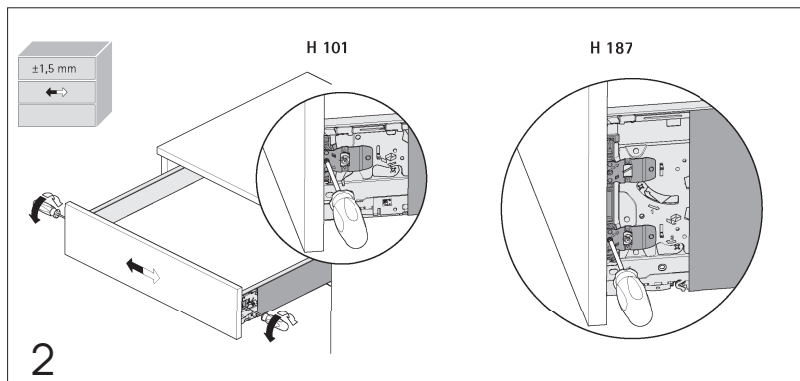
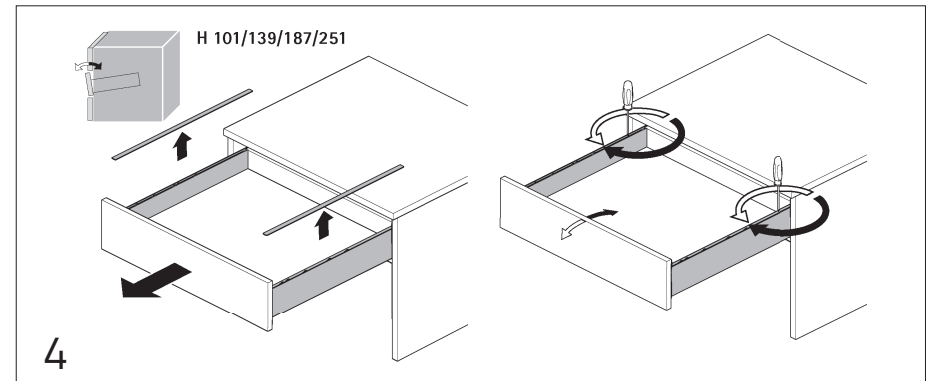
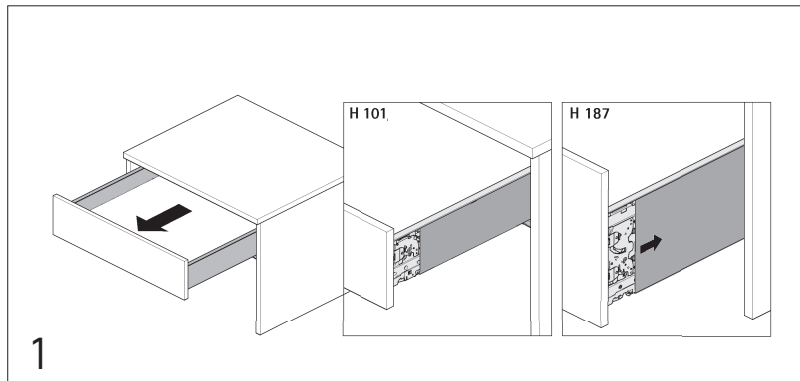
The vanities carries the desired sanitary registration for the wall or floor location.

INSTALLATION OF WALL HUNG VANITIES



- 1 Drill holes in the wall to install the Decofix System in the next step.
- 2 Screw the Decofix System to the wall.
- 3 Adjust the position screwing the screws.
- 4 Put the worktop on the main body.
- 5 Put a layer of silicone where worktop and wall join.

DRAWER ADJUSTMENT



DRAWER ADJUSTMENT

