

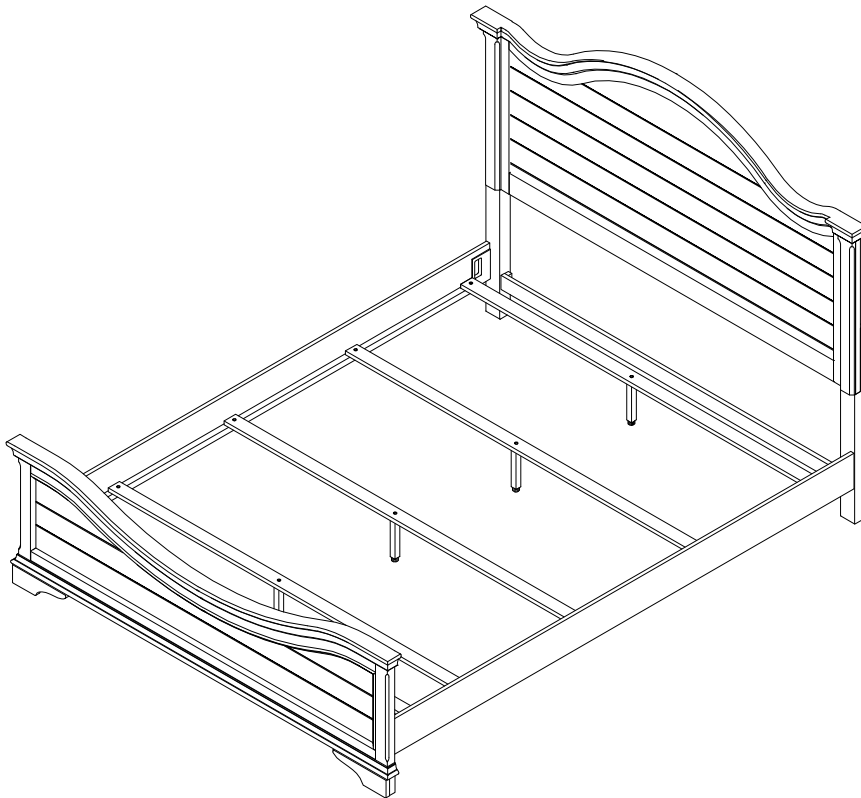
ASSEMBLY INSTRUCTION

DESCRIPTION: Queen Arched Panel Headboard/ Footboard & Bed Rails

Thank you for purchasing this quality product. Be sure to check all packing material carefully for small Hardware which may have come loose inside the carton during shipment. Identify and count all Hardware and compare with the Hardware List Below.

PART LIST		
No.	Descriptions	Qty.
①	Panel Headboard (Packed separately)	1 Pc
②	Headboard Bed Leg Left & Right (Packed inside HB)	2 Pcs
③	Bottom Rail (Packed inside HB)	1 Pc
④	Footboard (Packed separately)	1 Pc
⑤	Slats (Packed inside FB)	4 Pcs
⑥	Slat support (Packed inside FB)	4Pcs
⑦	Panel Bed Rail (Packed separately)	2 Pcs

HEADBOARD HARDWARE LIST			
No.	Descriptions	Hardware	Qty.
A	JCBC Screw Ø1/4" x 45mm		14 Pcs
B	Spring Washer Ø1/4"		14 Pcs
C	Flat Washer Ø1/4" x 19mm x 2mm		14 Pcs
D	Allen Key M4		1 Pc
FOOTBOARD HARDWARE LIST			
E	Screw M4 x 32mm		8 Pcs
BED RAILS HARDWARE LIST			
F	Hanger Bolt Ø5/16" x 89mm		8 Pcs
G	Hexagon Nut Ø5/16"		8 Pcs
H	Spring Washer Ø5/16"		8 Pcs
I	Flat Washer Ø5/16" x 14mm x 2mm		8 Pcs
J	Wrench 12mm		1 Pc

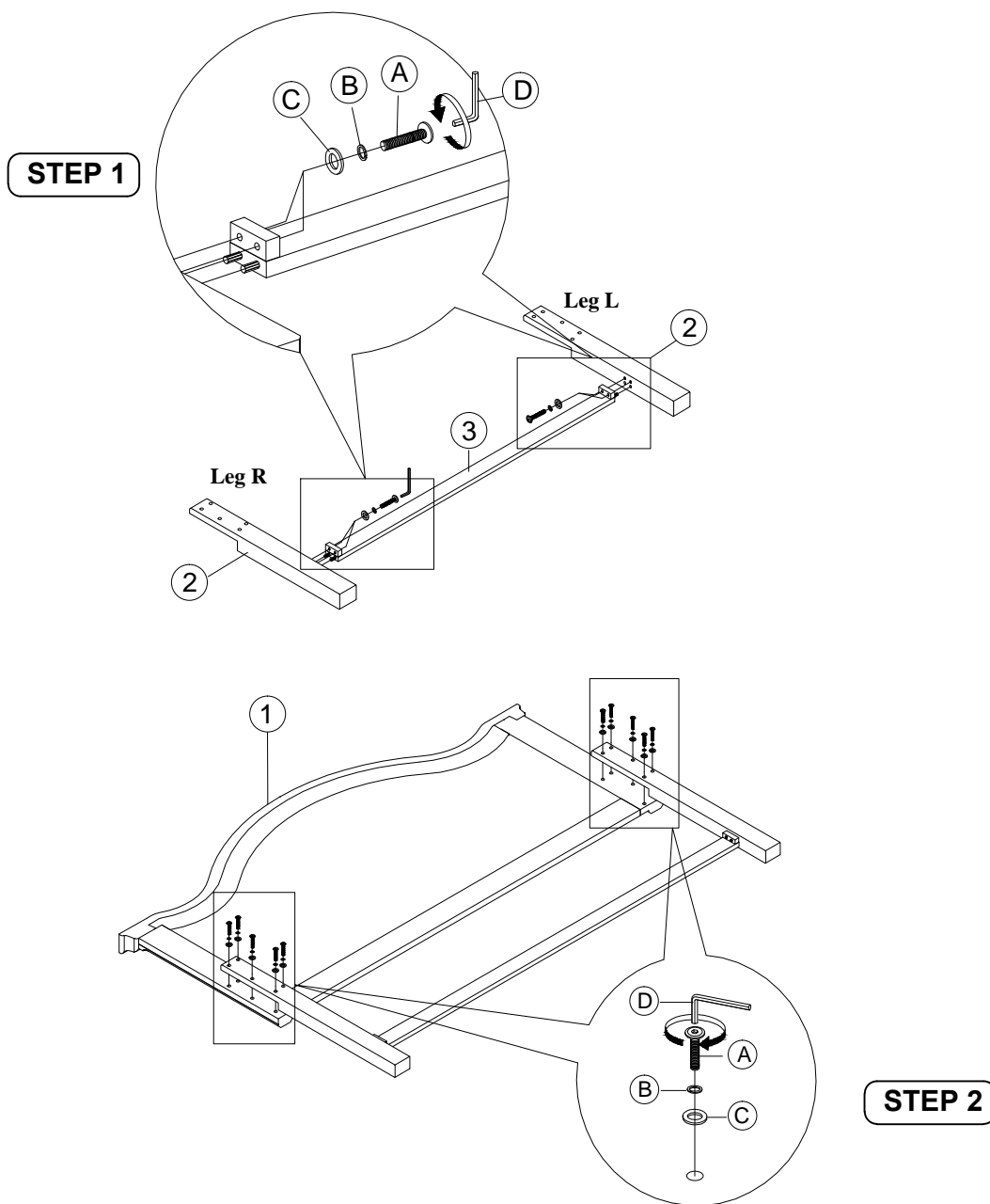


ASSEMBLY INSTRUCTION

DESCRIPTION: Queen Arched Panel Headboard/ Footboard & Bed Rails

Thank you for purchasing this quality product. Be sure to check all packing material carefully for small Hardware which may have come loose inside the carton during shipment. Identify and count all Hardware and compare with the Hardware List Below.

Assembly Step Headboard



ASSEMBLY INSTRUCTION

DESCRIPTION: Queen Arched Panel Headboard/

Footboard & Bed Rails

Thank you for purchasing this quality product. Be sure to check all packing material carefully for small Hardware which may have come loose inside the carton during shipment. Identify and count all Hardware and compare with the Hardware List Below.

Assembly Step Rail

