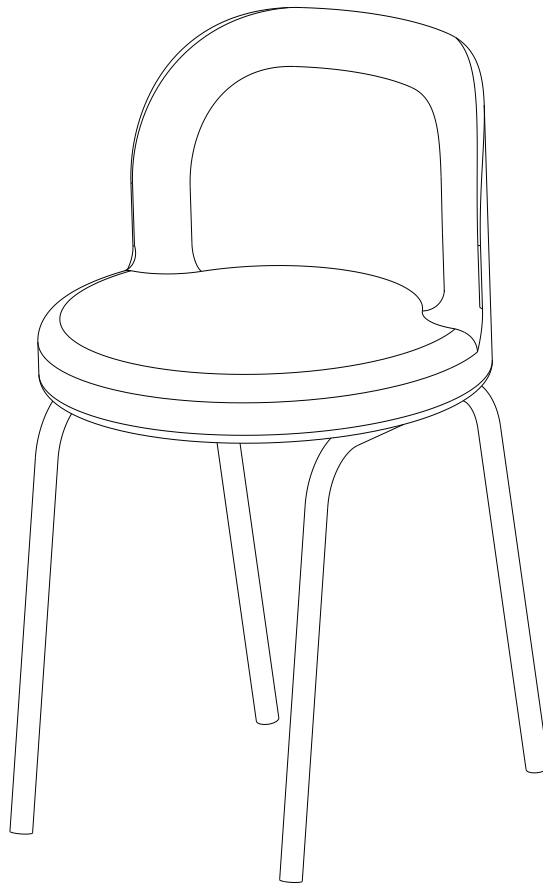


# ASSEMBLY INSTRUCTIONS



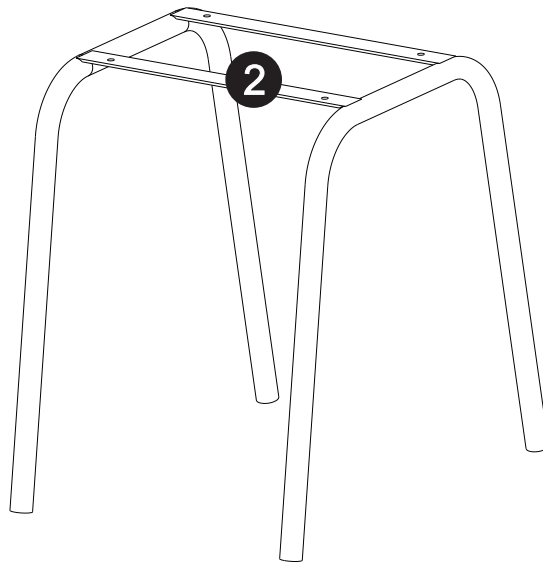
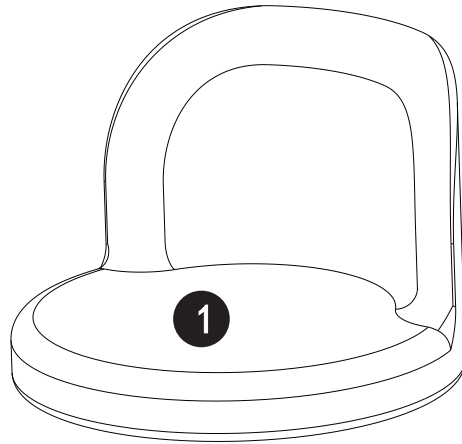
## IMPORTANT NOTE

\*\*PLACE ALL PARTS ON A CLEAN AND SMOOTH SURFACE SUCH AS A RUG OR CARPET TO AVOID THE PARTS FROM BEING SCRATCHED

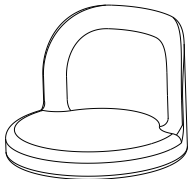
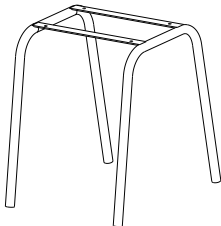
\*\*BEFORE YOU BEGIN,KINDY FOLLOW THE ASSEMBLY INSTRUCTIONS STEP BY STEP

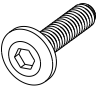
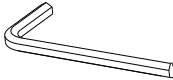
\*\*DO NOT TIGHTEN ALL SCREWS AND BOLTS UNTIL THE BED IS FULLY SET-UP

# ASSEMBLY INSTRUCTIONS



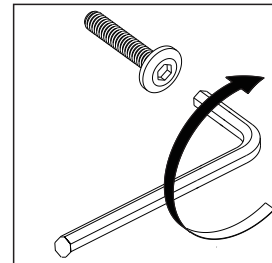
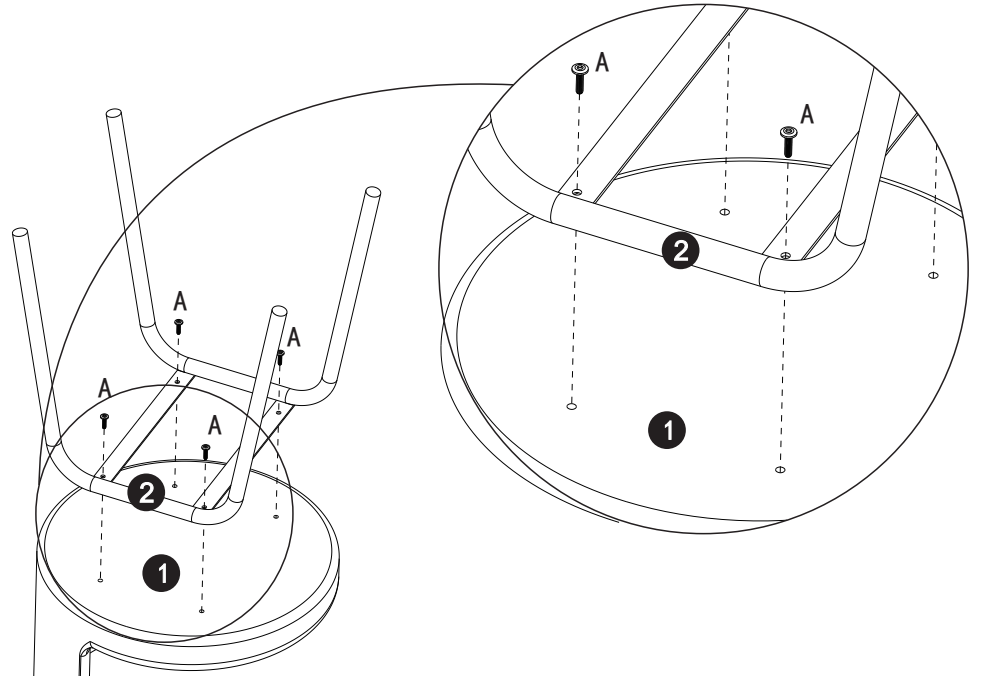
# ASSEMBLY INSTRUCTIONS



1	Stool back Tabouret arrière		1	2	Chair bottom frame Fond de chaisecadre		1
---	--------------------------------	---	---	---	---	---	---

A	Hexagon socket screw Vis de douille hexagone	 M6x20	4	B	screwdriver tournevis	 M4	1
---	---	--	---	---	--------------------------	---	---

# ASSEMBLY INSTRUCTIONS

## STEP 1



A	Hexagon socket screw Vis de douille hexagone	 M6x20	4
B	screwdriver tournevis	 M4	1

## STEP 2

