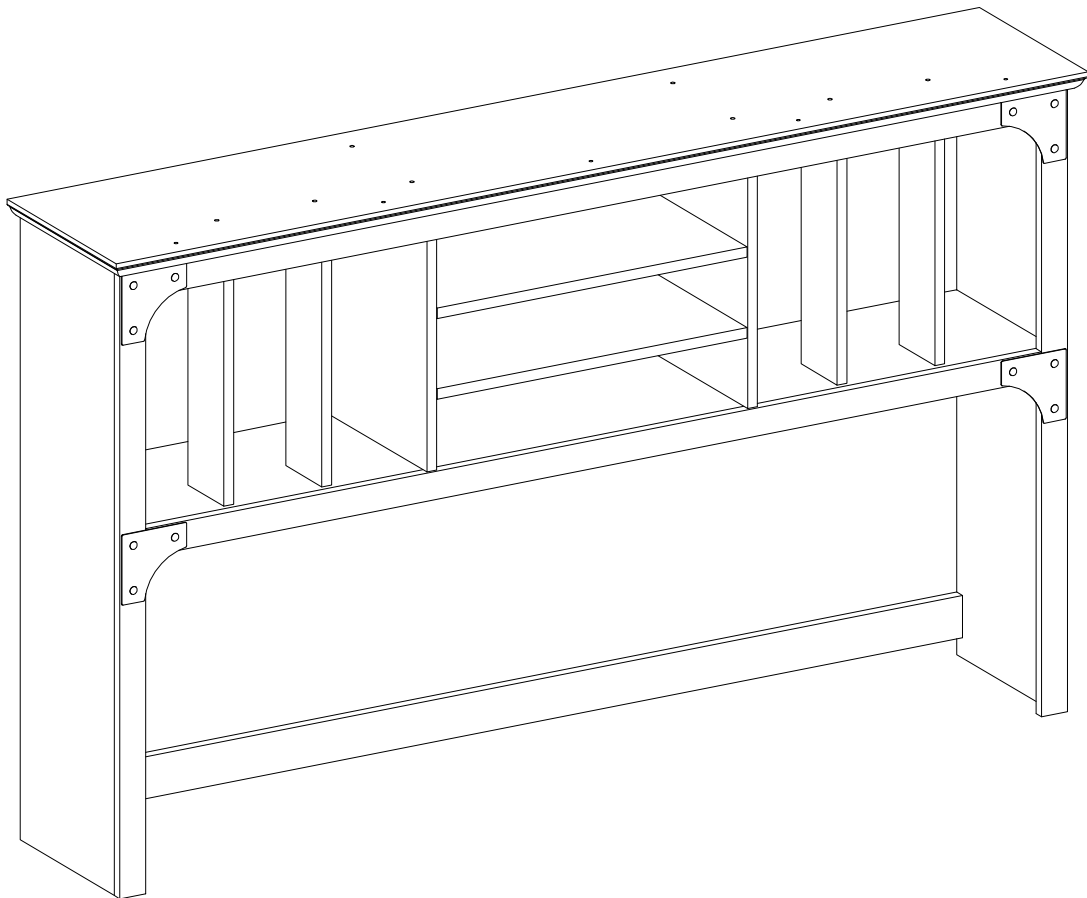


# ASSEMBLY INSTRUCTIONS

ITEM#: LG2105

## Important Safety Instructions:

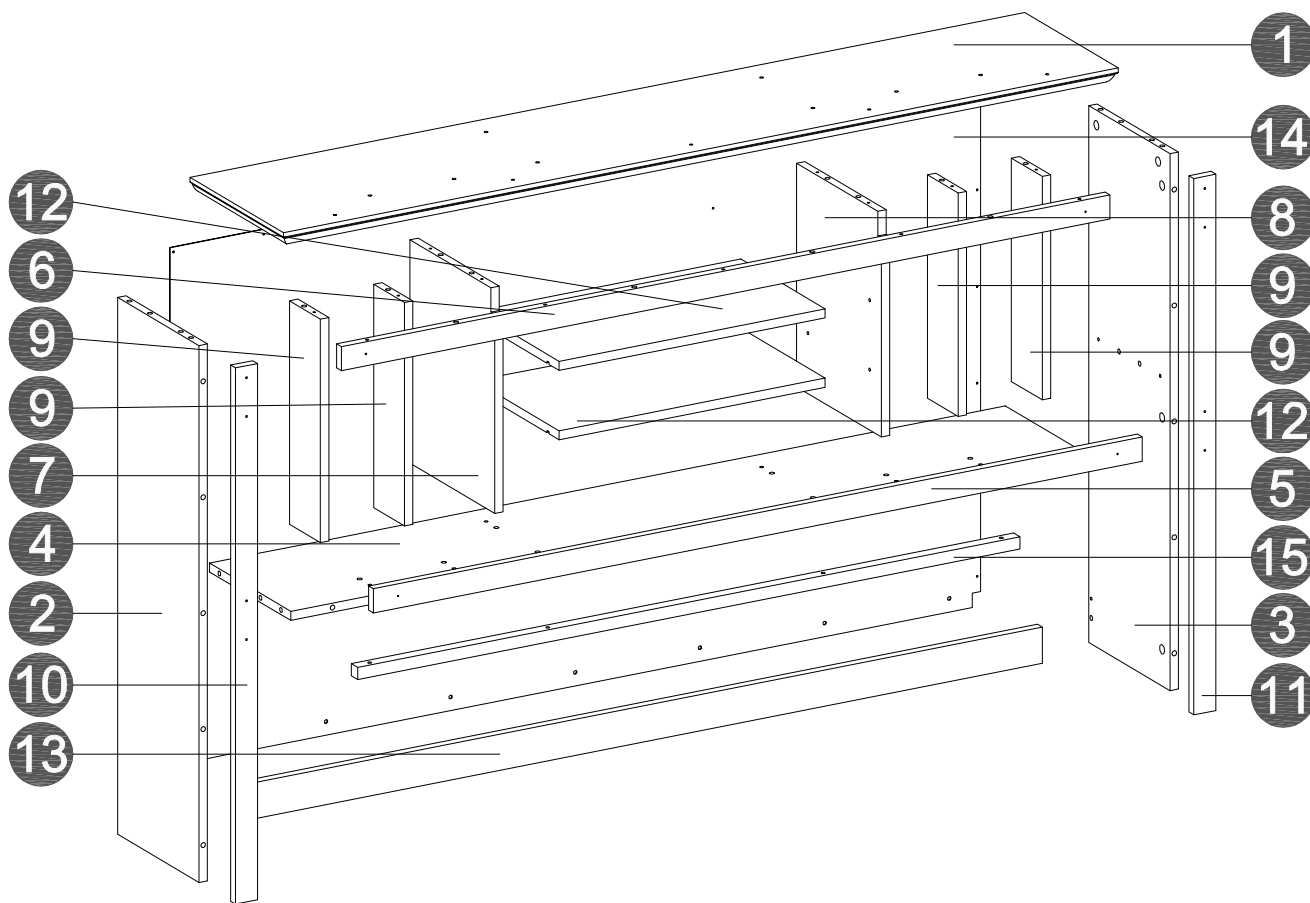
- Please read all instructions before beginning assembly
- Please make sure receive all the parcels to start the assembly
- For your safety and convenience, assembly by two people is recommended
- Use the parts and hardware lists to identify and separate each of the components included
- Save all packing materials until assembly is completed to avoid the accidental discarding of smaller parts or hardware



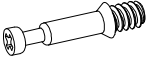



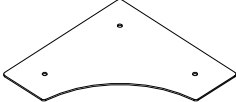

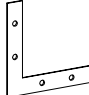
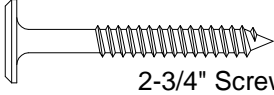
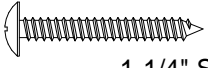
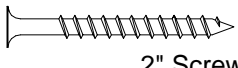
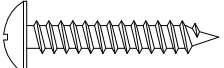
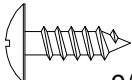
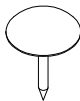
THANK YOU FOR PURCHASING


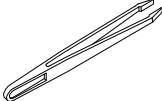
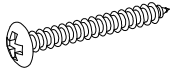

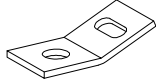
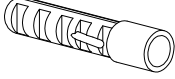

# PARTS LIST

1 X1	2 X1	3 X1	4 X1	5 X1
6 X1	7 X1	8 X1	9 X4	10 X1
11 X1	12 X2	13 X1	14 X1	15 X1



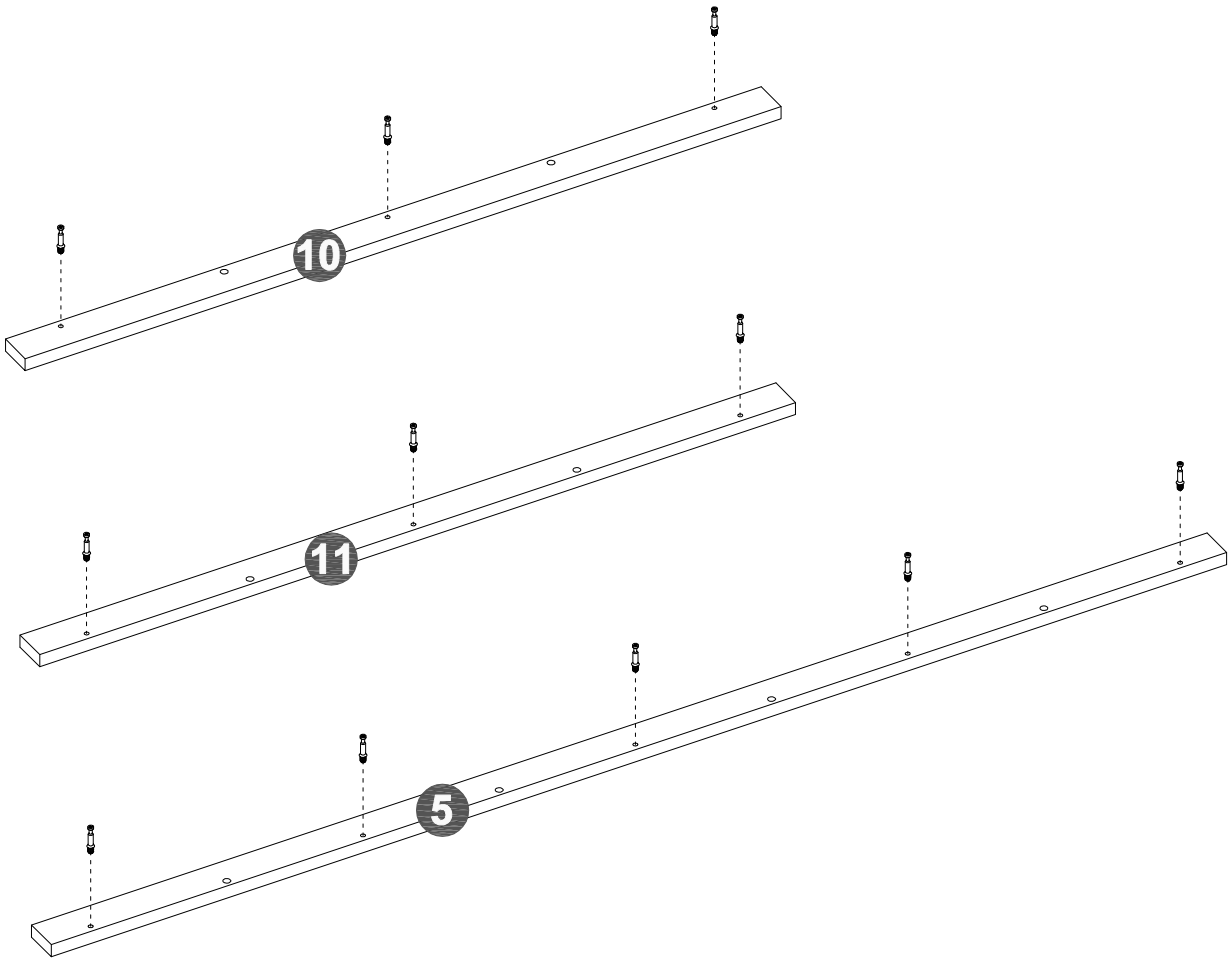
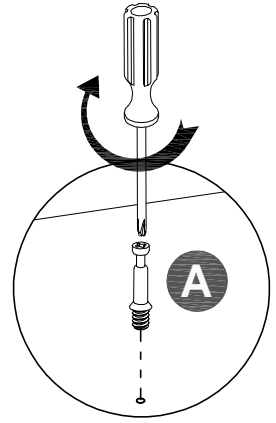
# HARDWARE LIST

Name	Part	Qty.	Spare
A		21	1
B		21	1
C		38	1
D		8	
E		4	
F		14	
G		2	
H	 2-3/4" Screw	2	
I	 1-1/4" Screw	2	
J	 2" Screw	19	
K	 1" Screw	8	
L	 9/16" Screw	7	
M		12	2

Name	Part	Qty.	Spare
N	 3/4" nail	29	1
O		1	
U1		1	
U2		1	
U3		2	
U4		1	
U5		1	

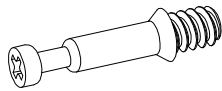
# STEP 1

**A** x 11pcs 

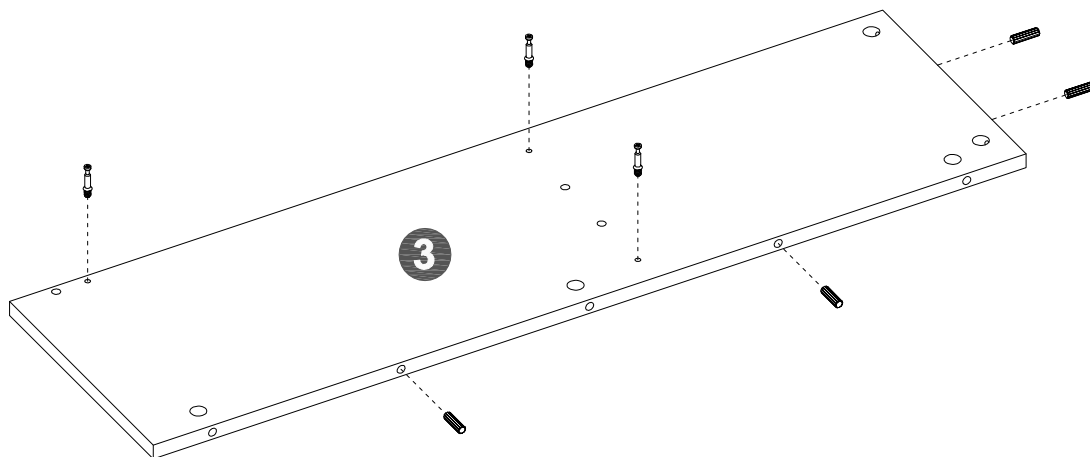
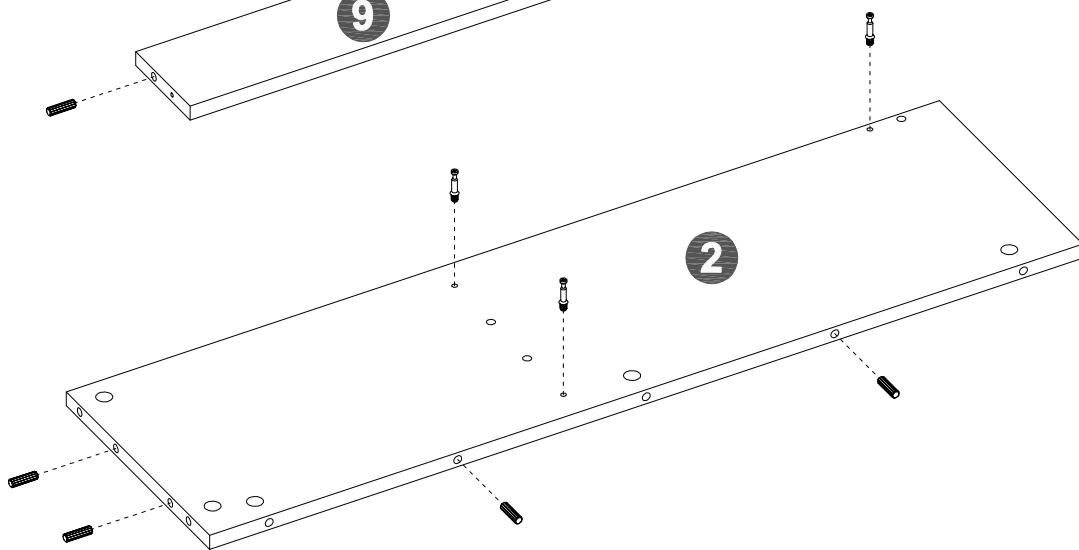
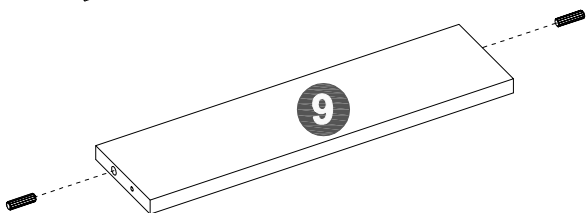
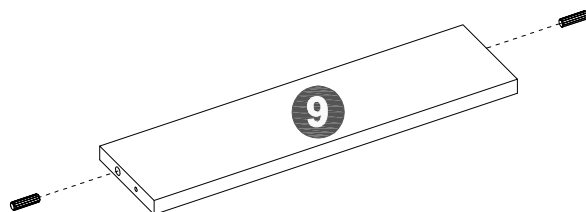
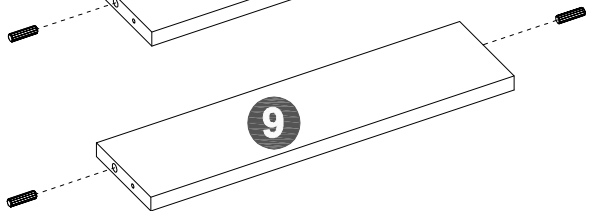
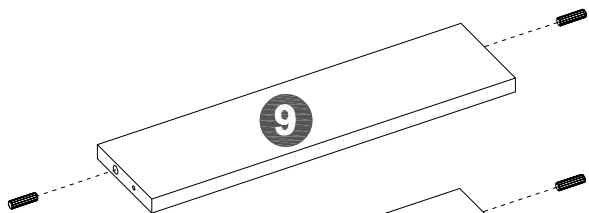
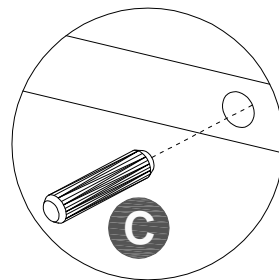
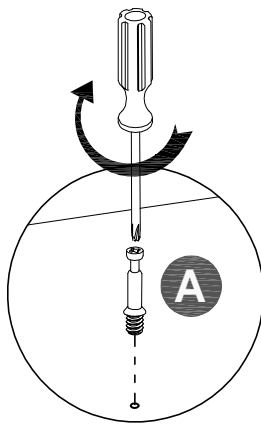
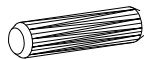


# STEP 2

**A** x 6pcs

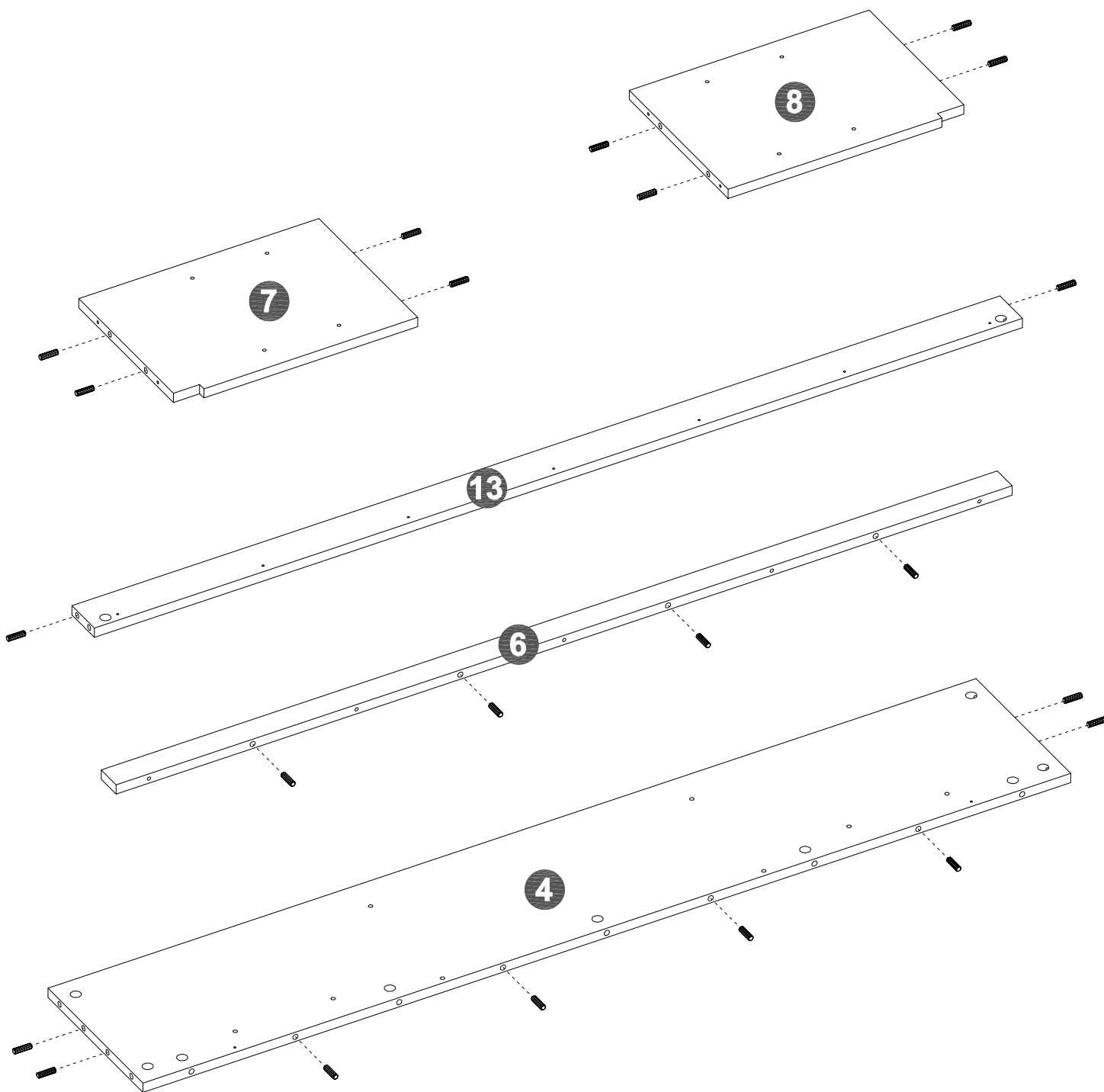
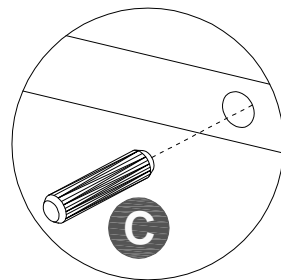


**C** x 16pcs



# STEP 3

**C** x 22pcs 

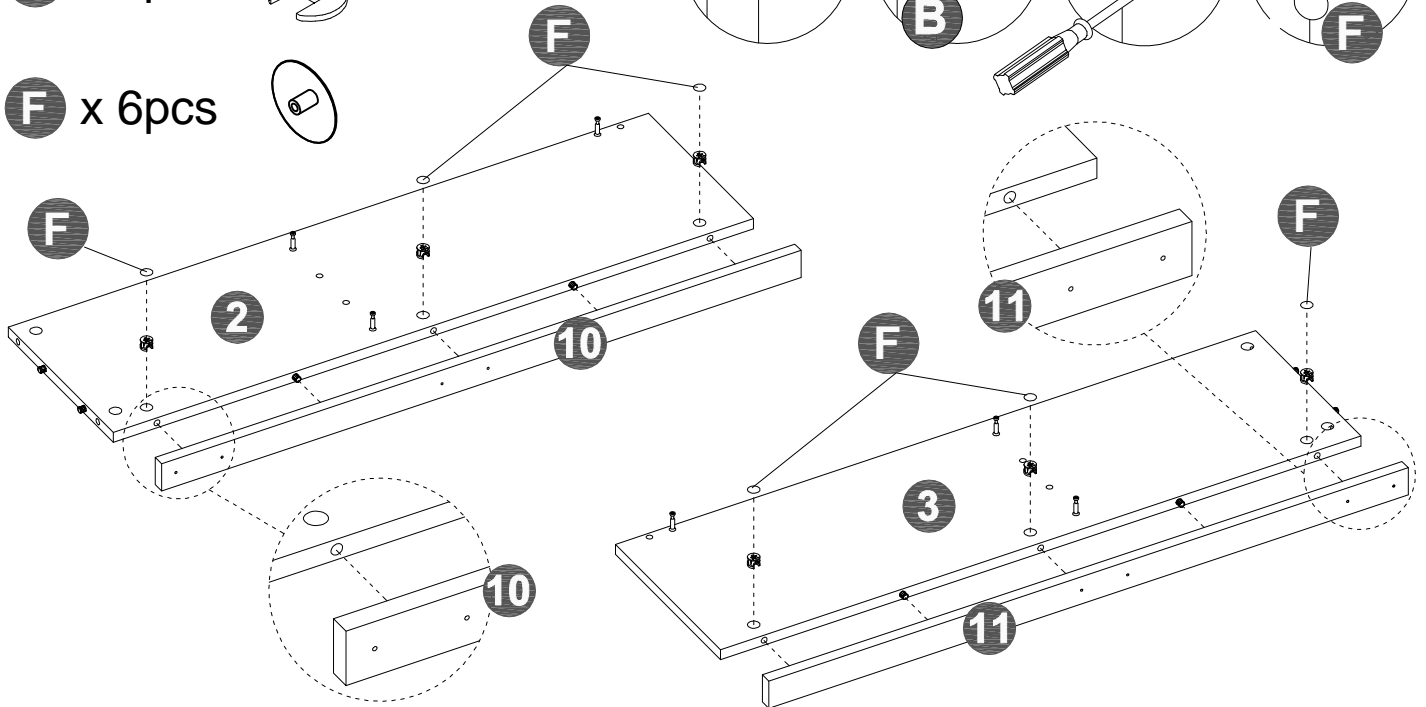


## STEP 4

**B** x 6pcs

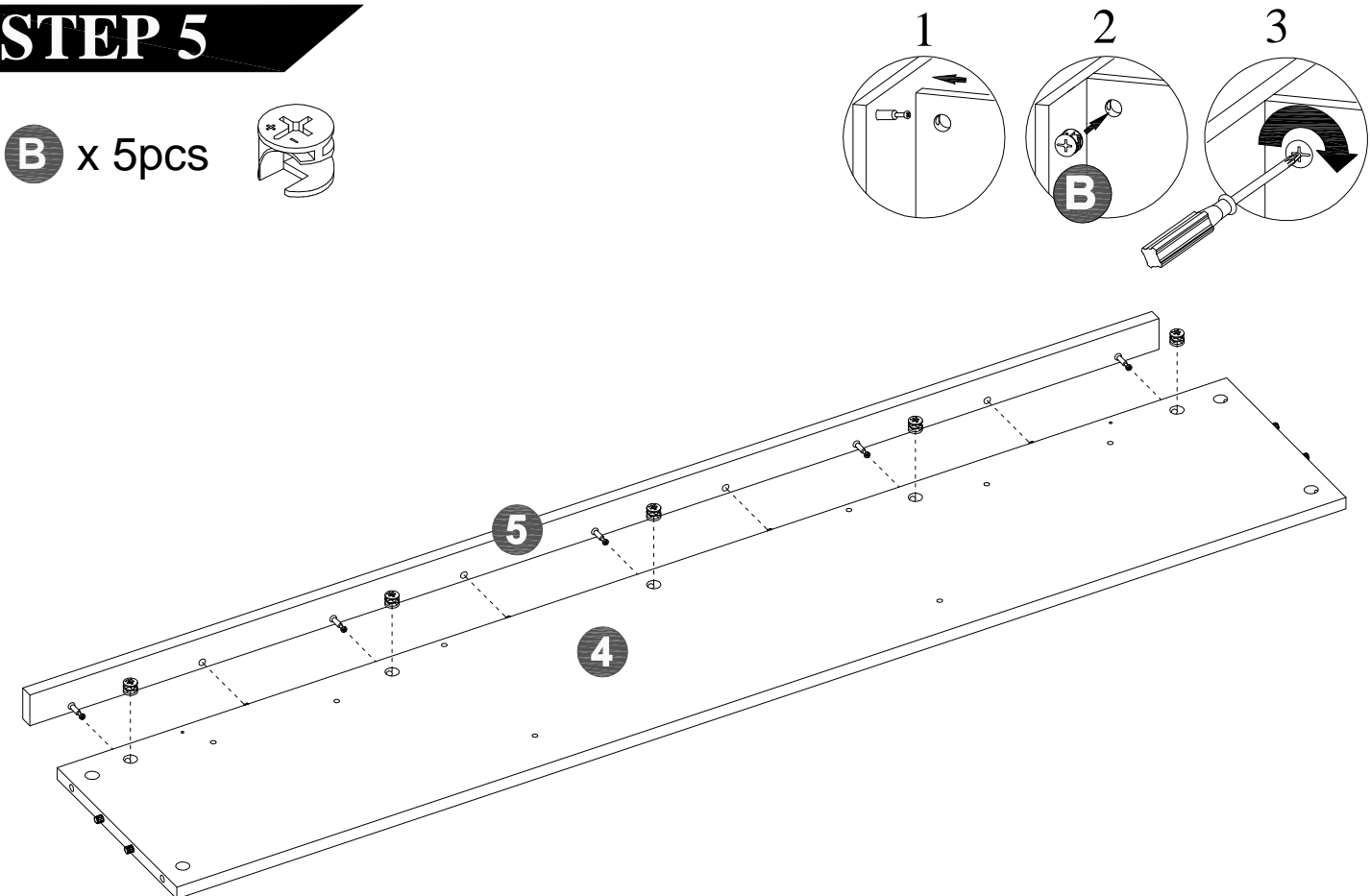


**F** x 6pcs



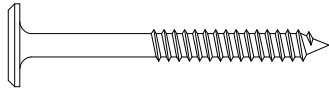
## STEP 5

**B** x 5pcs

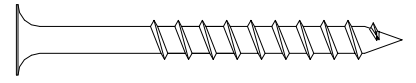


# STEP 6

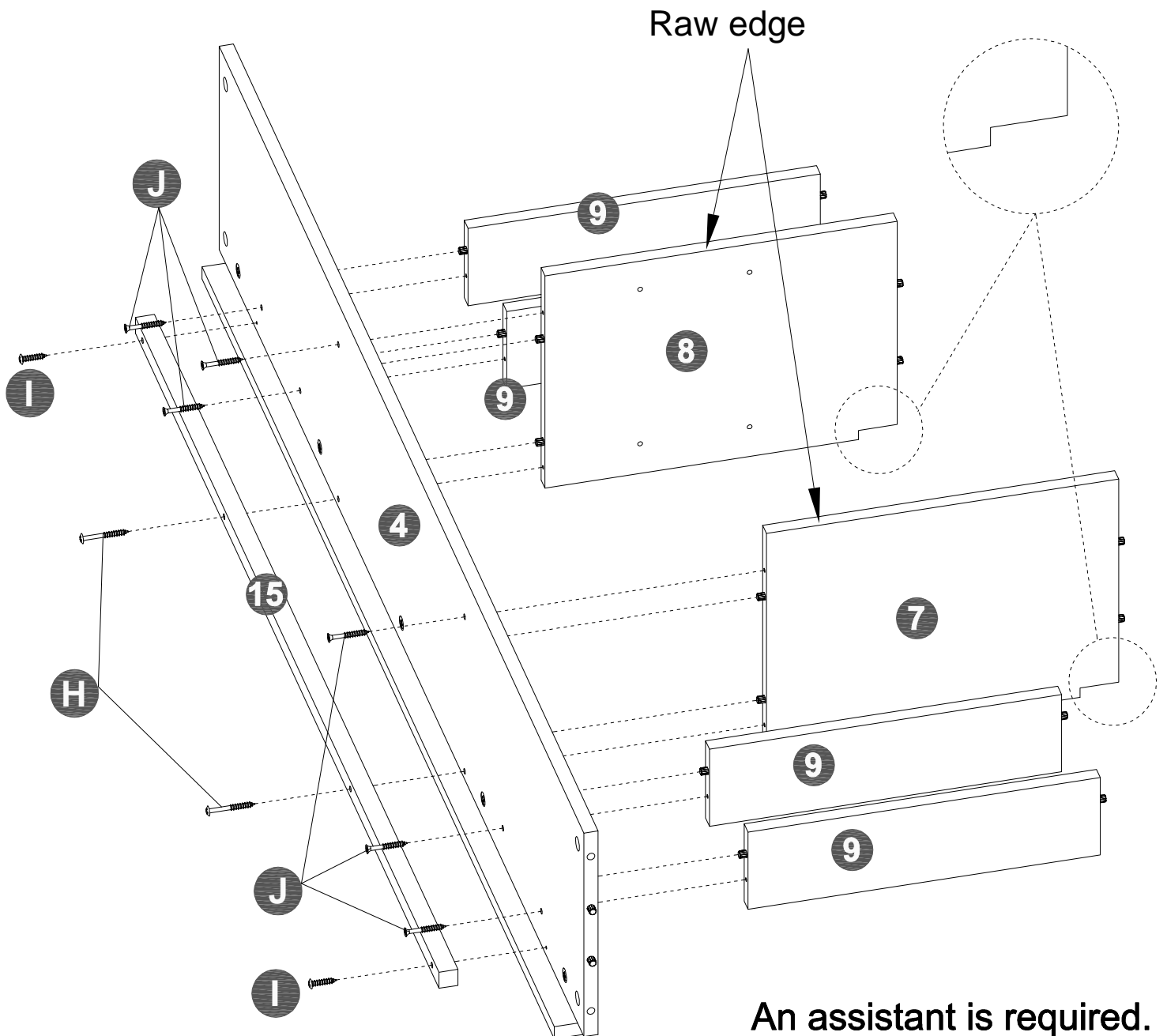
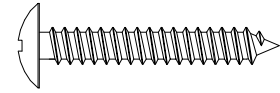
**H** x 2pcs



**J** x 6pcs



**I** x 2pcs



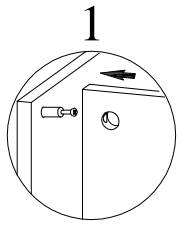
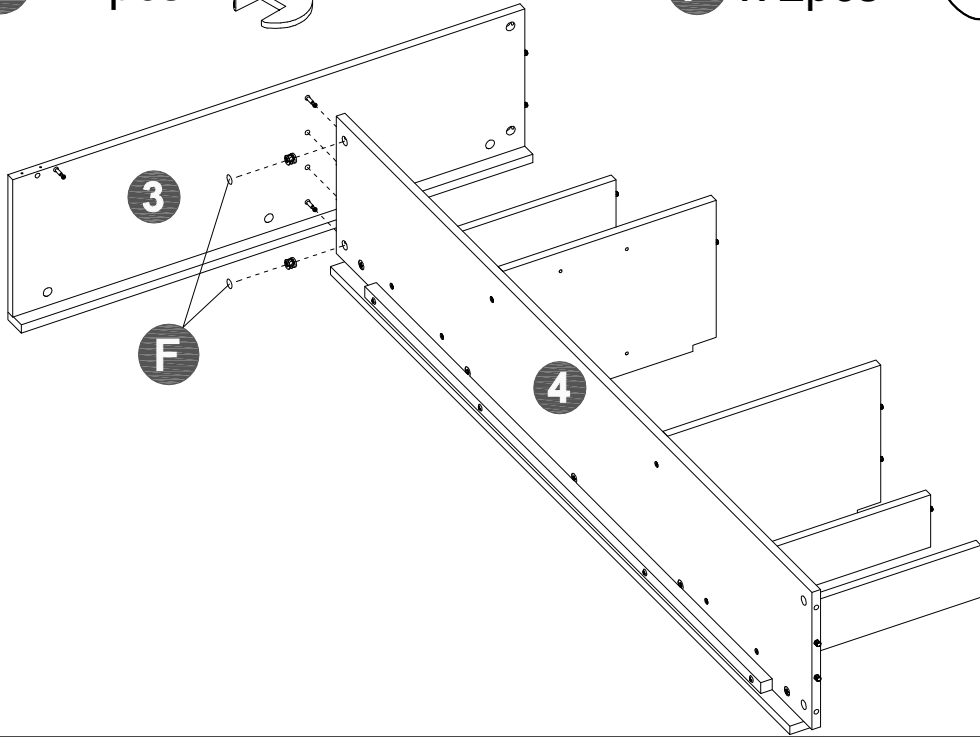
**An assistant is required.**

## STEP 7

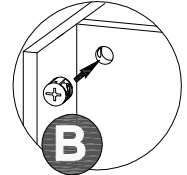
**B** x 2pcs



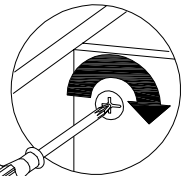
**F** x 2pcs



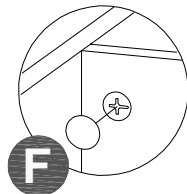
1



2



3



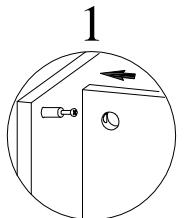
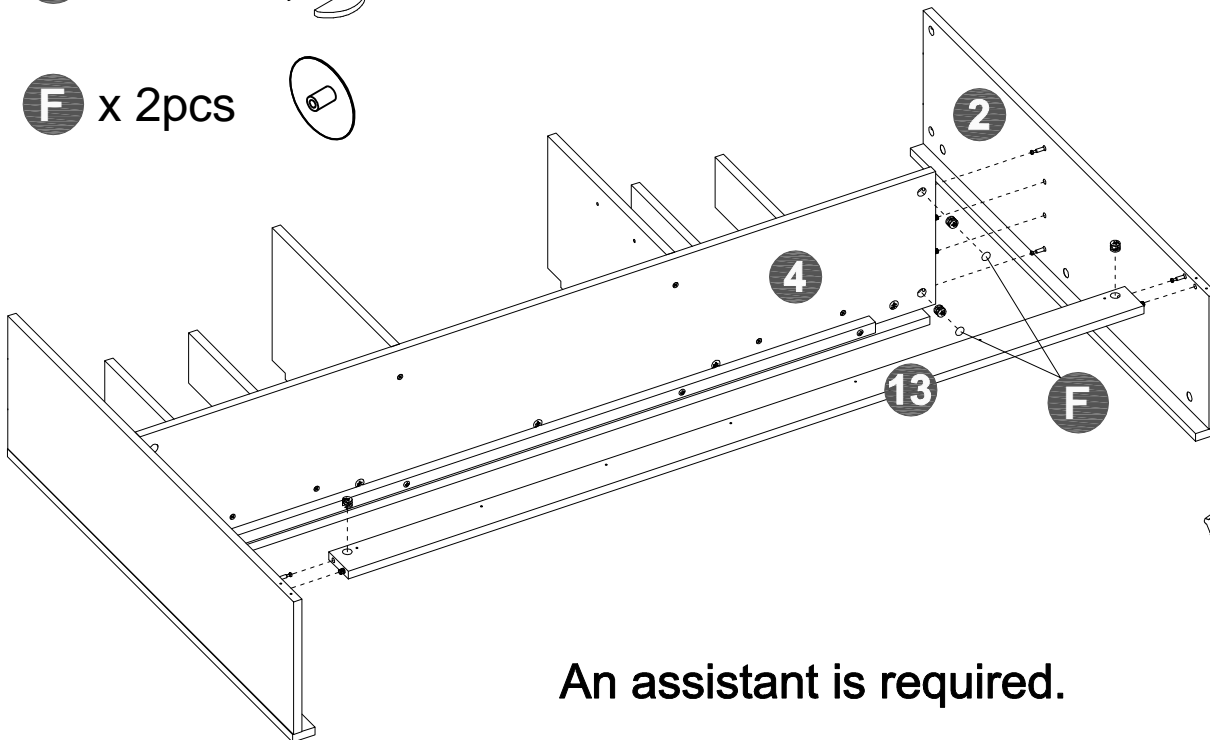
4

## STEP 8

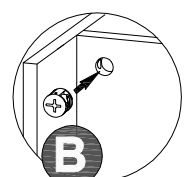
**B** x 4pcs



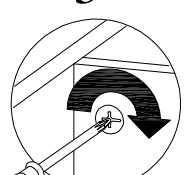
**F** x 2pcs



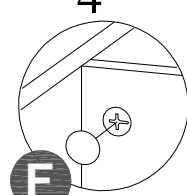
1



2



3

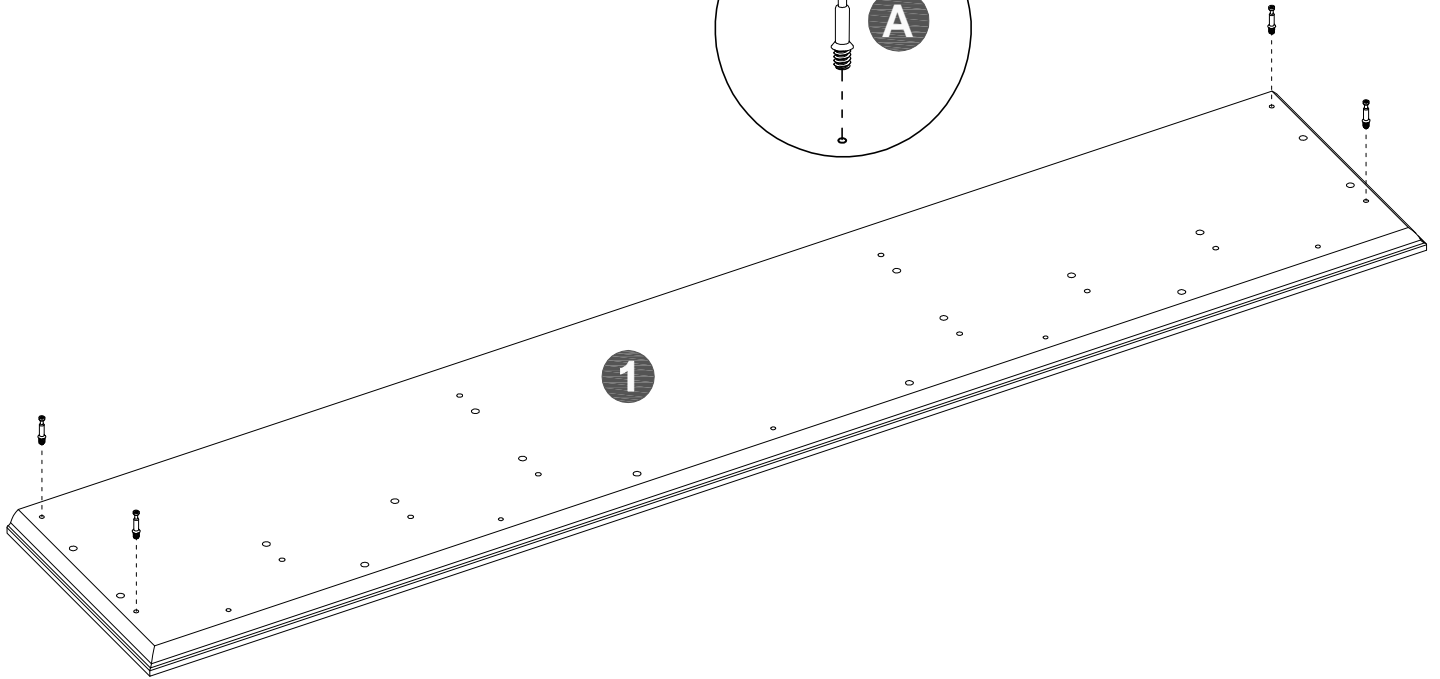
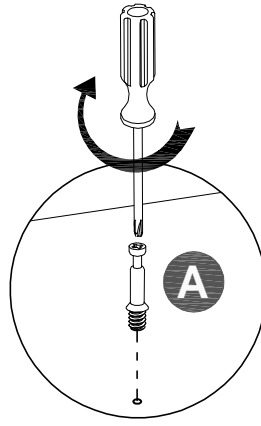
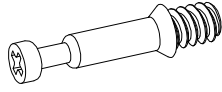


4

An assistant is required.

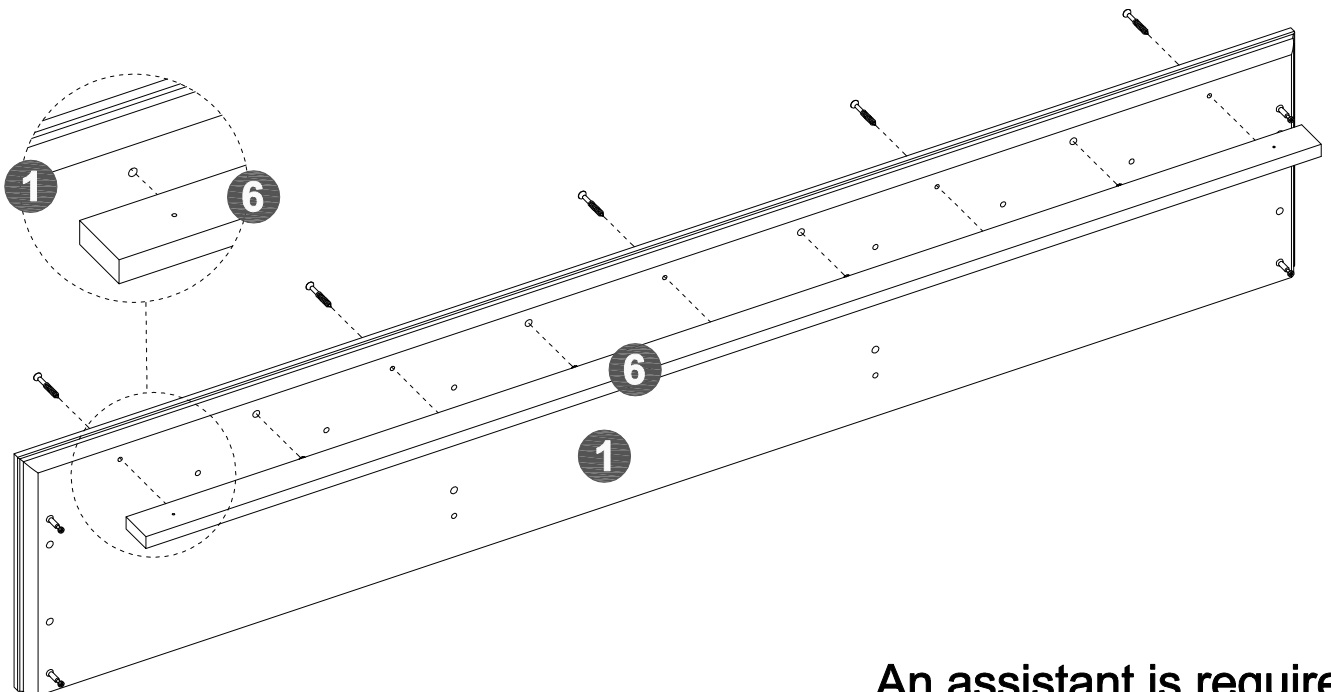
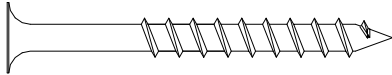
## STEP 9

**A** x 4pcs



## STEP 10

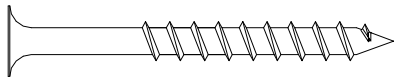
**J** x 5pcs



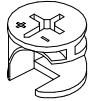
An assistant is required.

# STEP 11

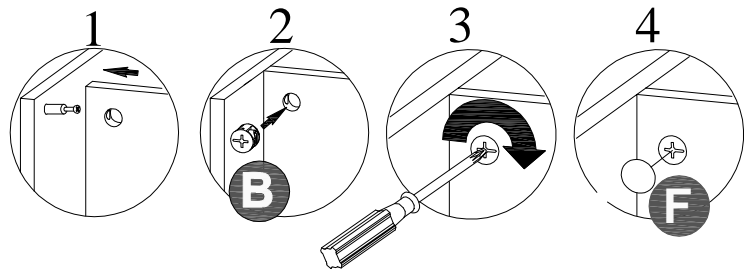
**J** x 8pcs



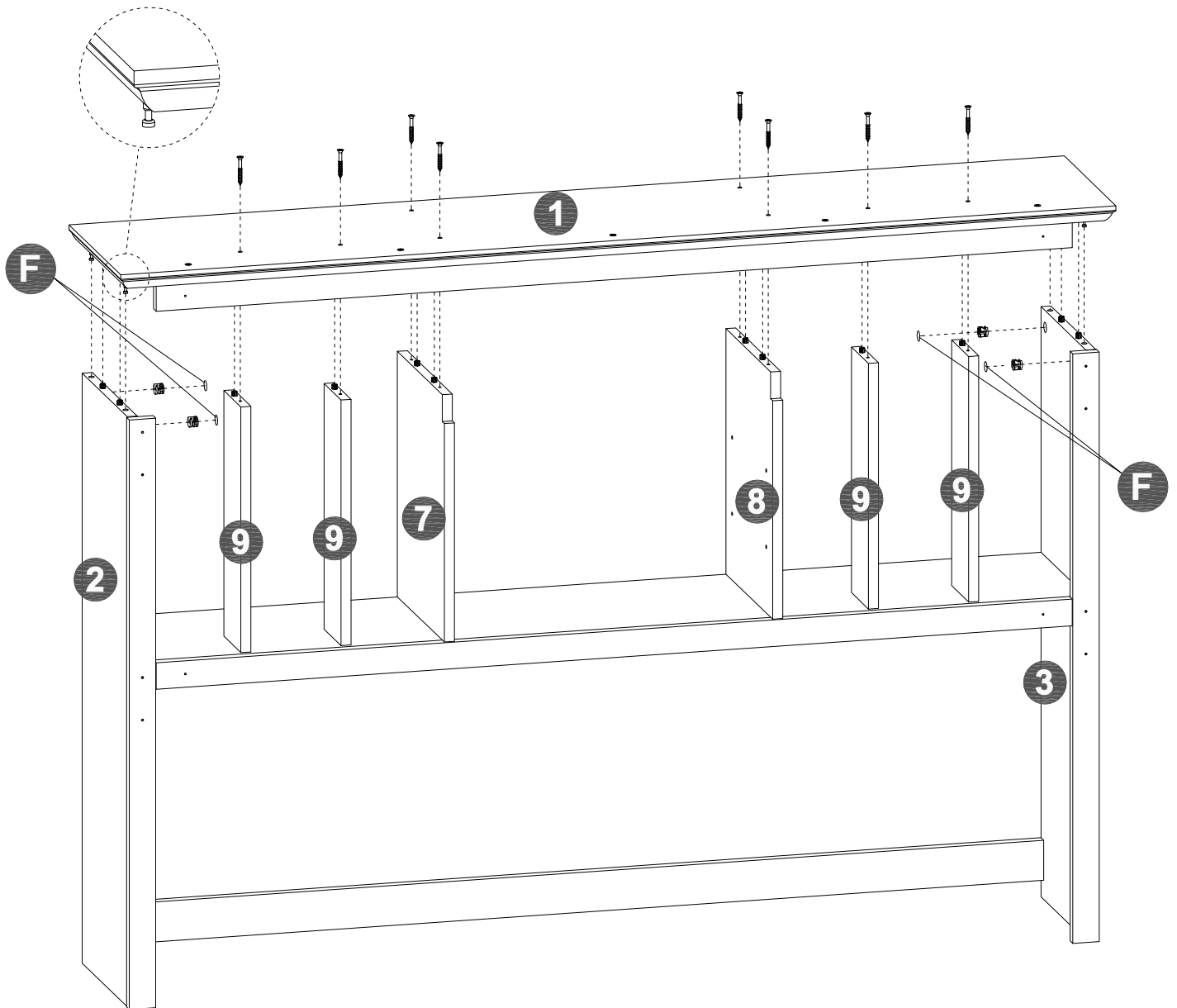
**B** x 4pcs



**F** x 4pcs



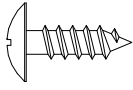
With assistant carefully stand unit up.



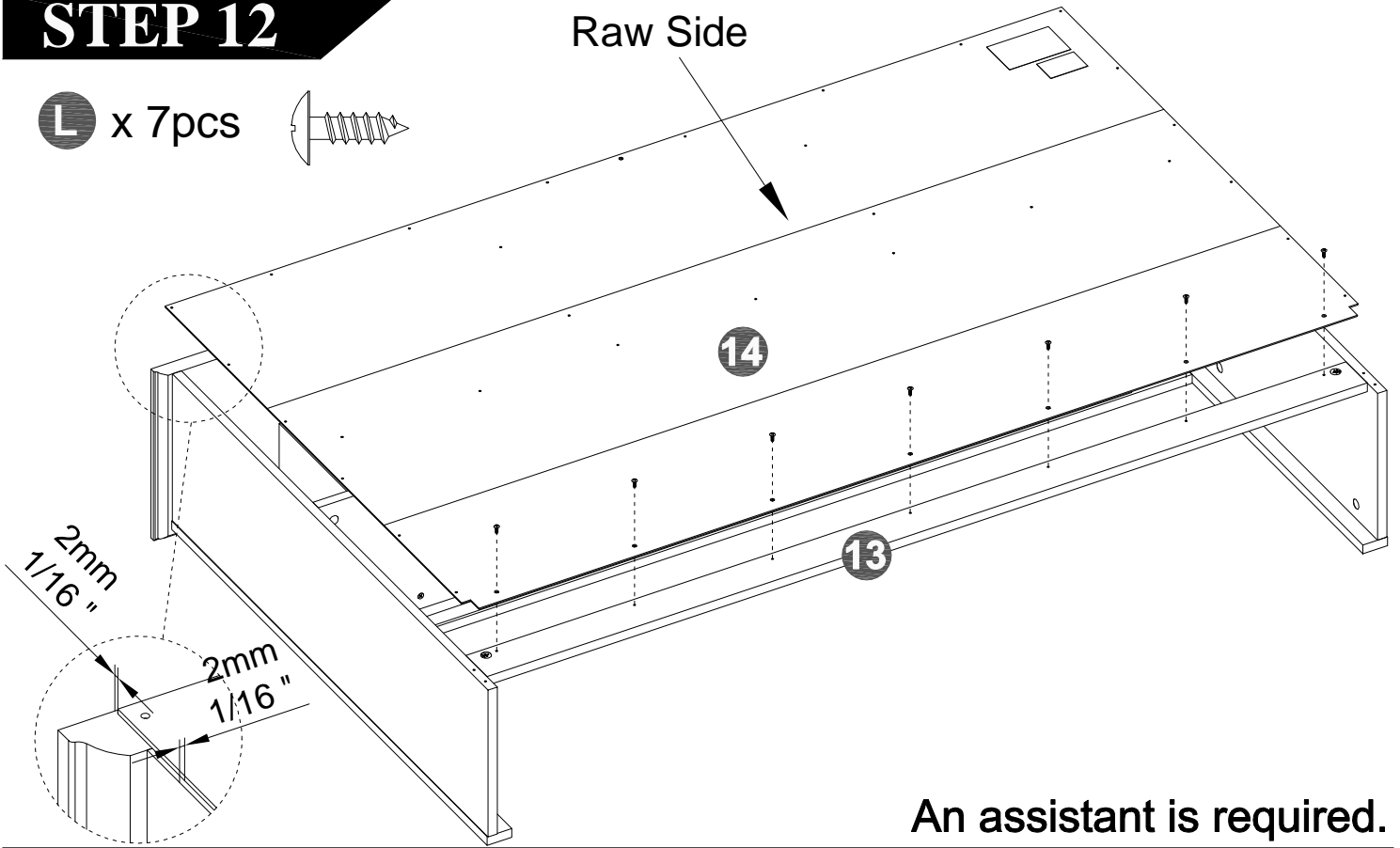
An assistant is required.

## STEP 12

**L** x 7pcs



Raw Side



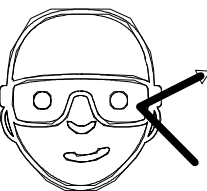
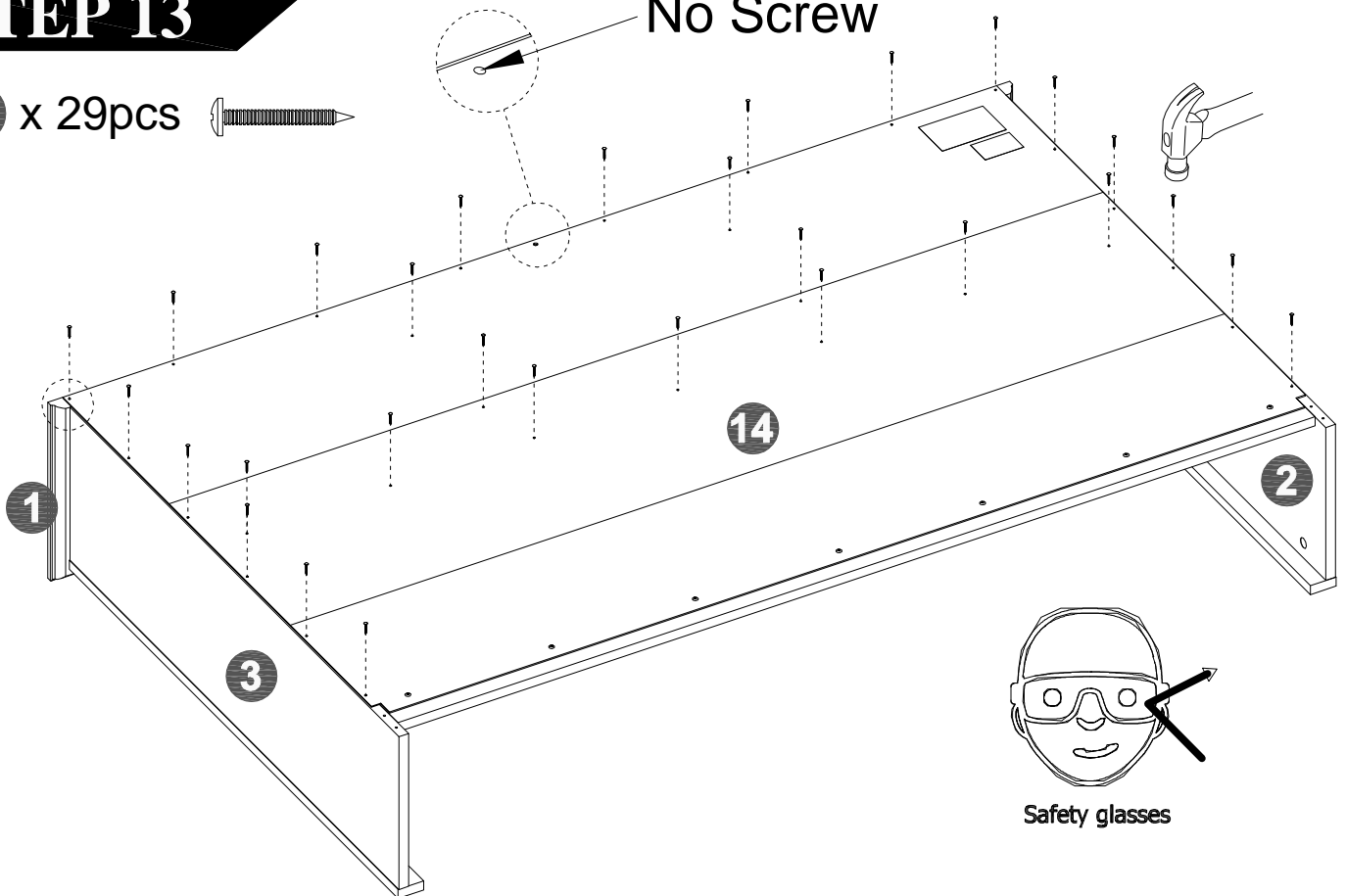
An assistant is required.

## STEP 13

**N** x 29pcs



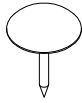
No Screw



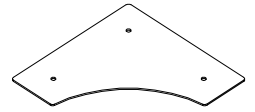
Safety glasses

# STEP 14

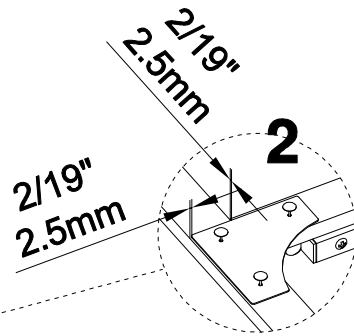
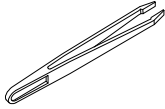
**M** x 12pcs



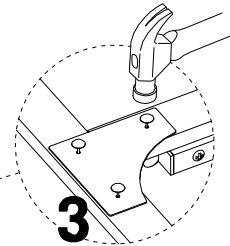
**E** x 4pcs



**O**

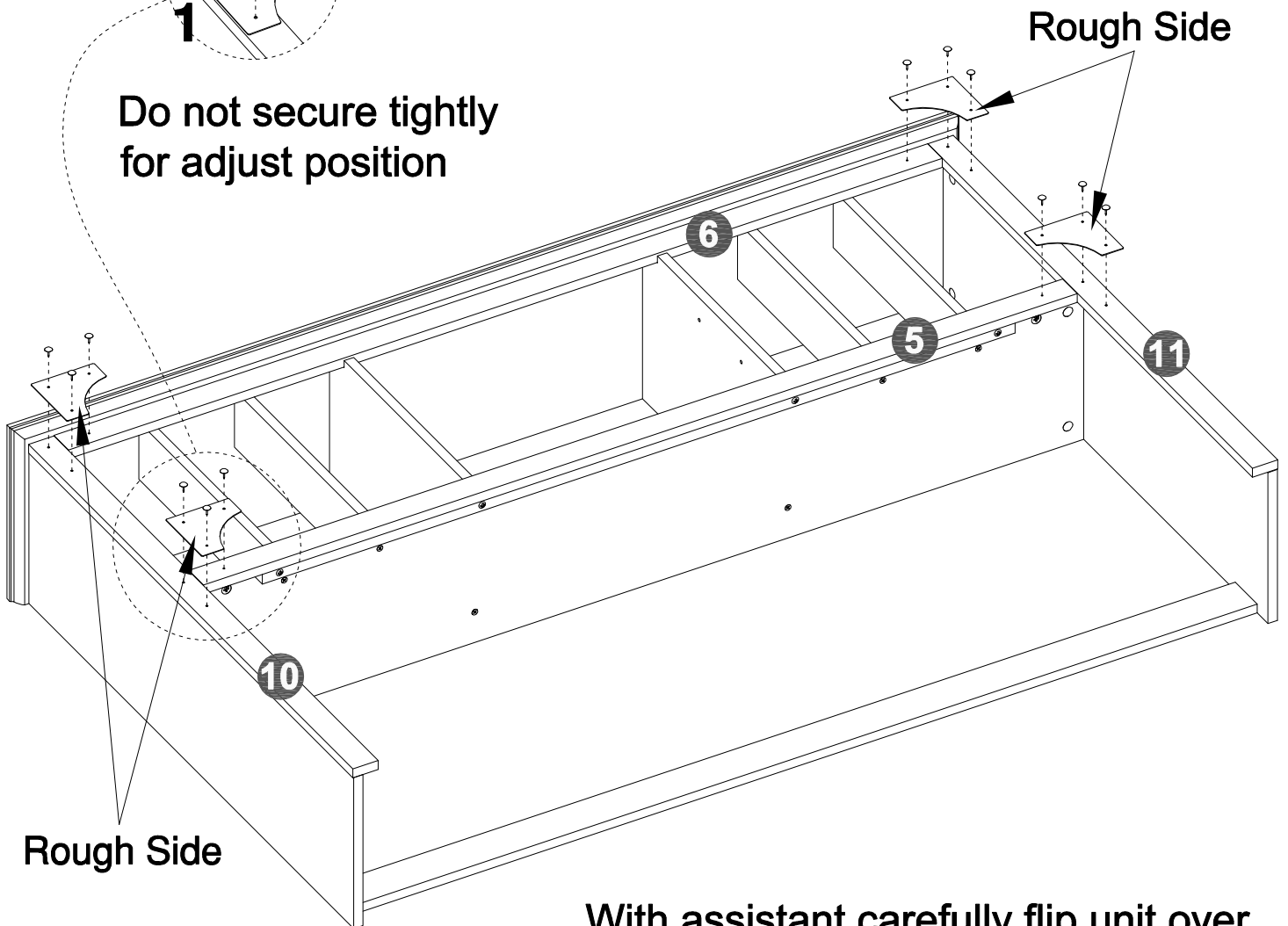


Adjust plate to position



Secure plate

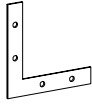
Do not secure tightly  
for adjust position



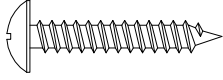
With assistant carefully flip unit over.

# STEP 15

**G** x 2pcs



**K** x 8pcs



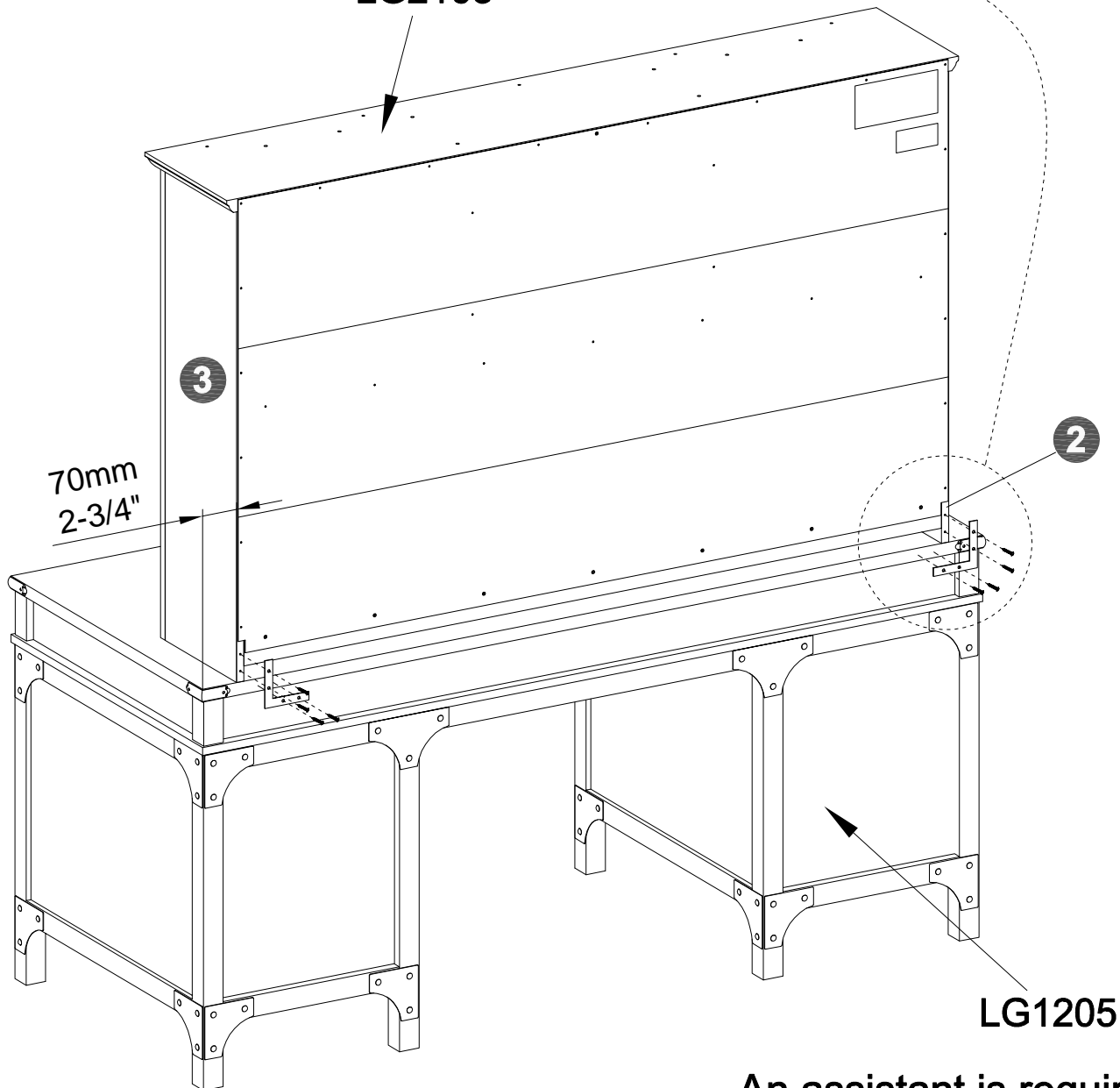
With assistant carefully stand unit up.

LG1205

LG2105

**K**

LG2105

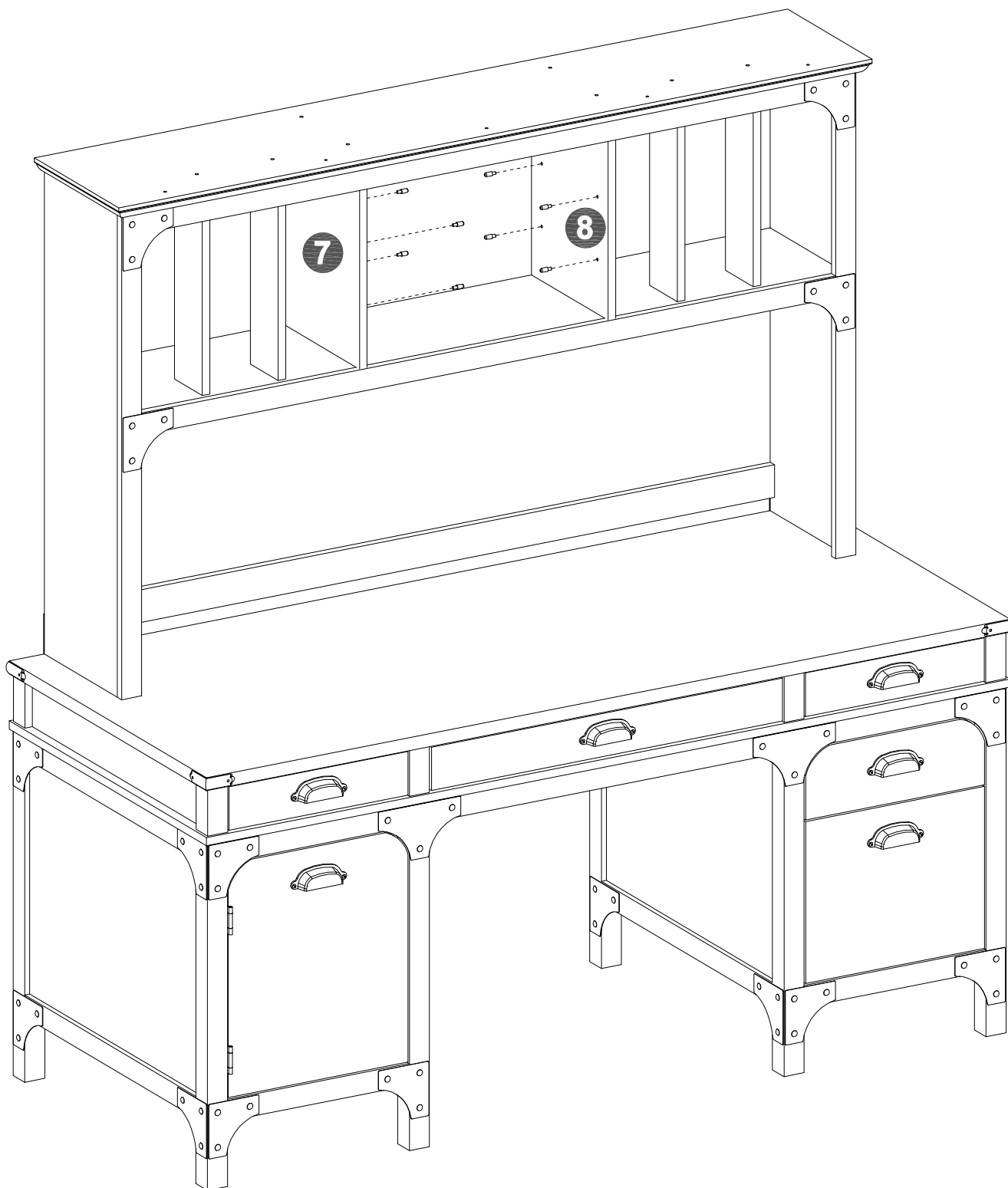
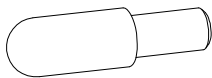


LG1205

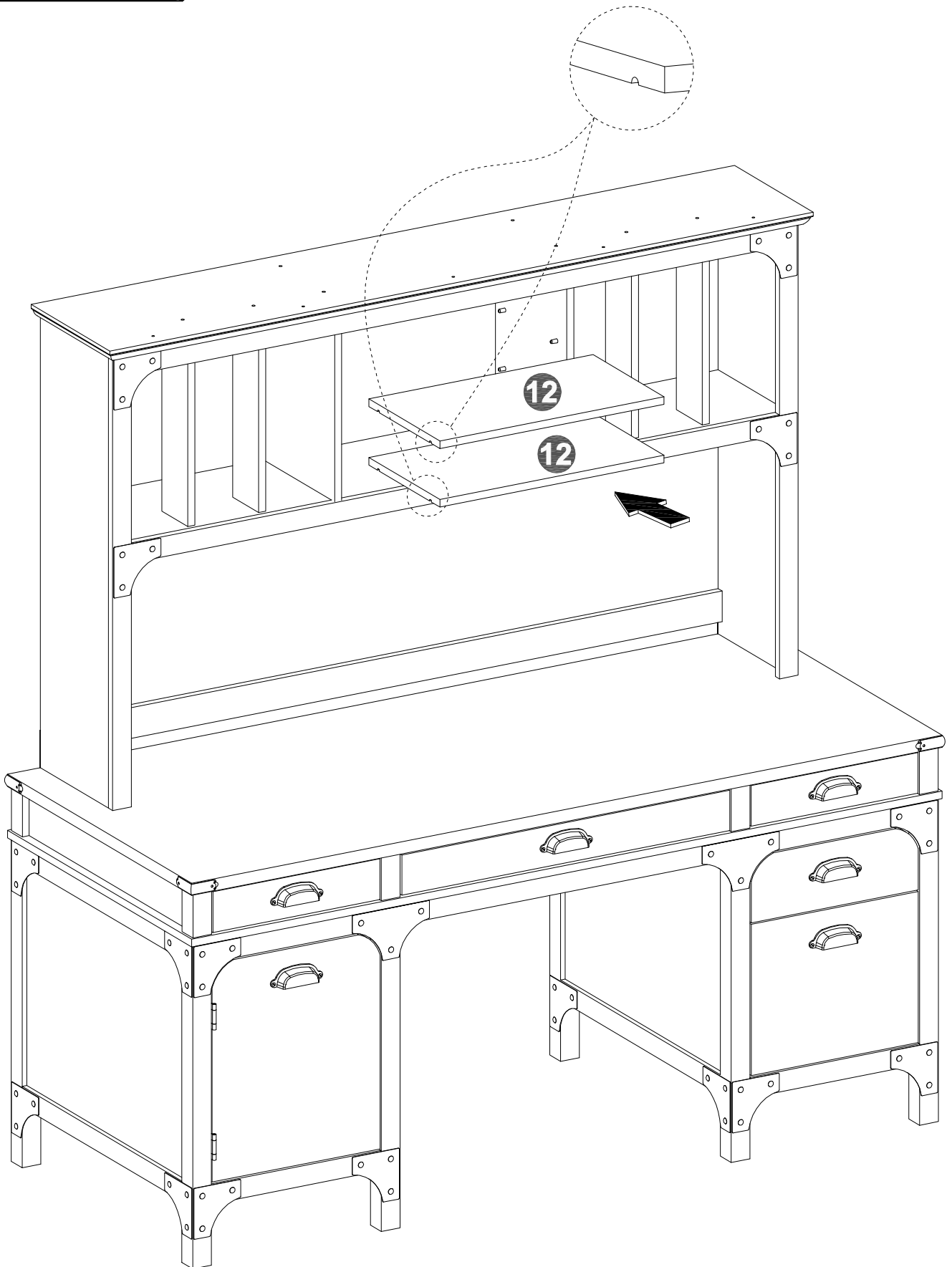
An assistant is required.

# STEP 16

**D** x 8pcs



# STEP 17

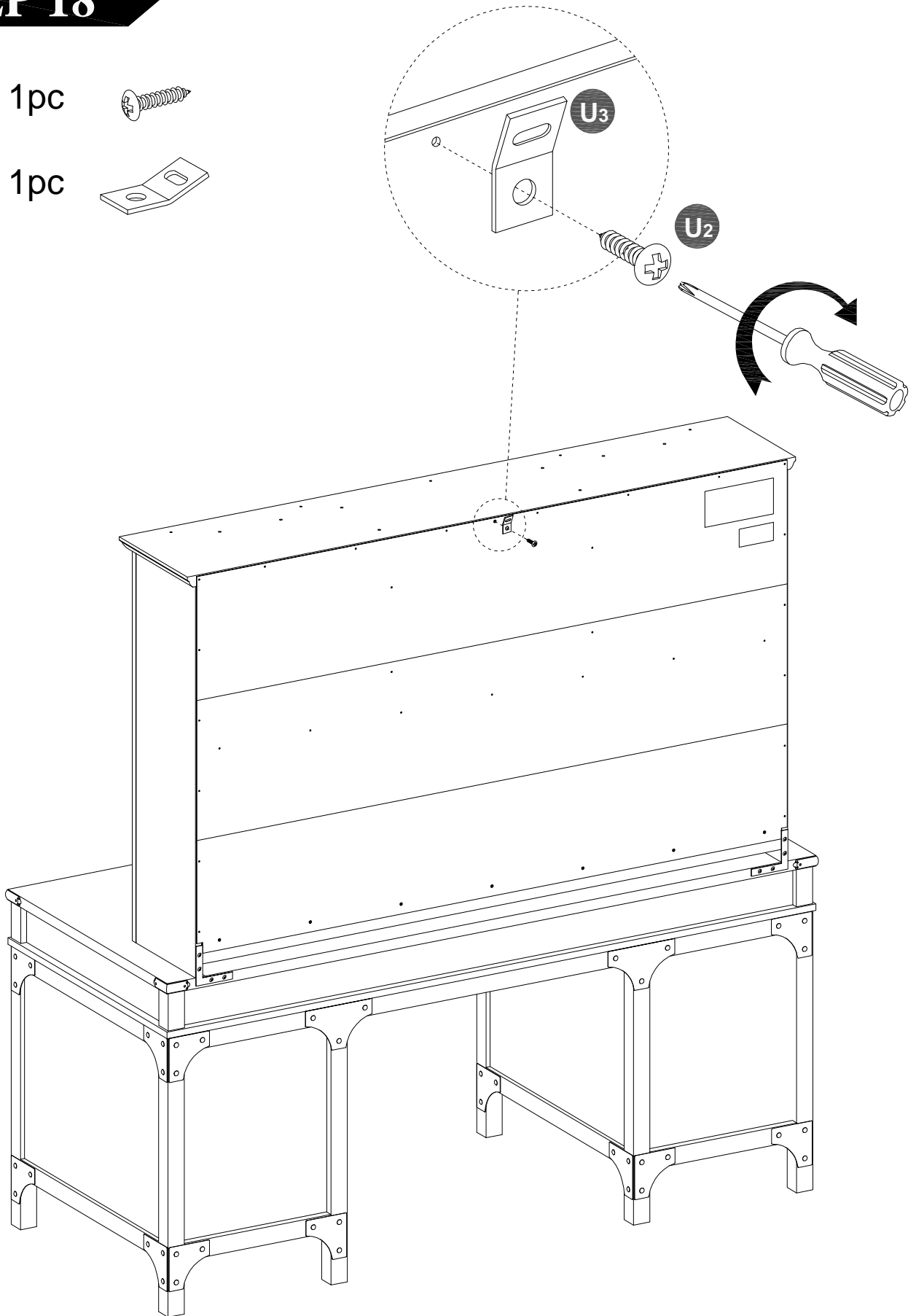
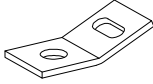


# STEP 18

U<sub>2</sub> x 1pc

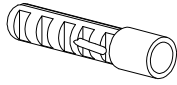


U<sub>3</sub> x 1pc

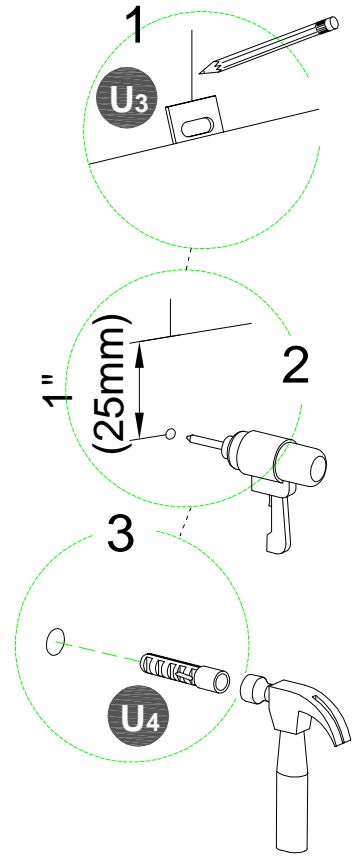
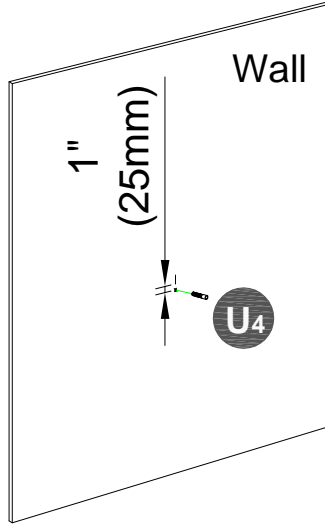
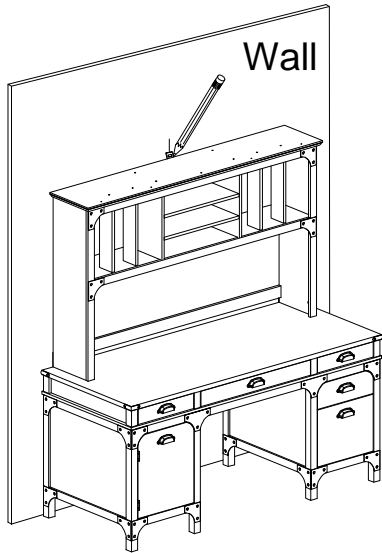


# STEP 19

U4 x1pc

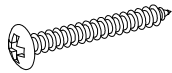


1. Place unit in desired location.
2. Mark stud location on the wall, 1" below top and side of unit.
3. Drill 5/16" hole 2" deep at marks on the wall.

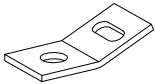


# STEP 20

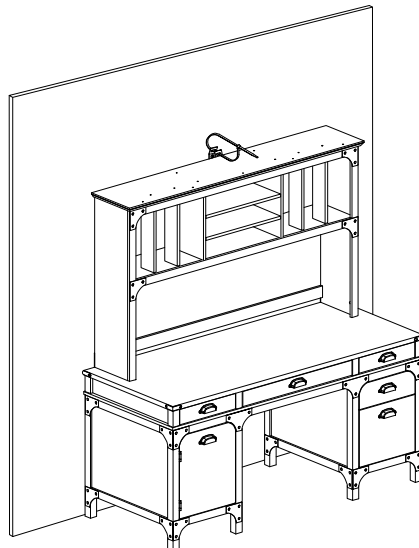
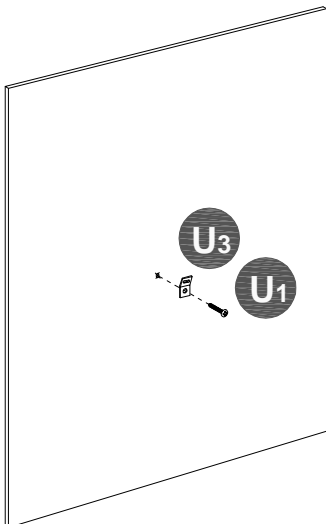
U1 x1pc



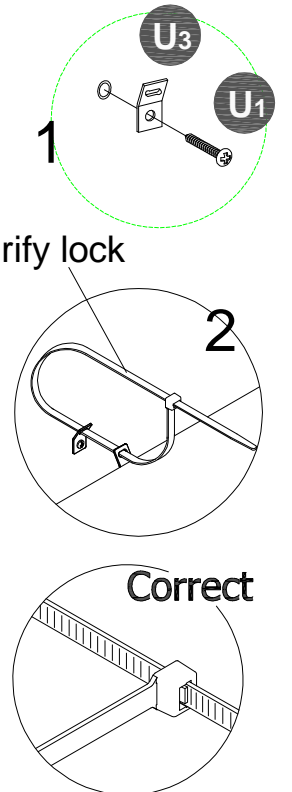
U3 x1pc



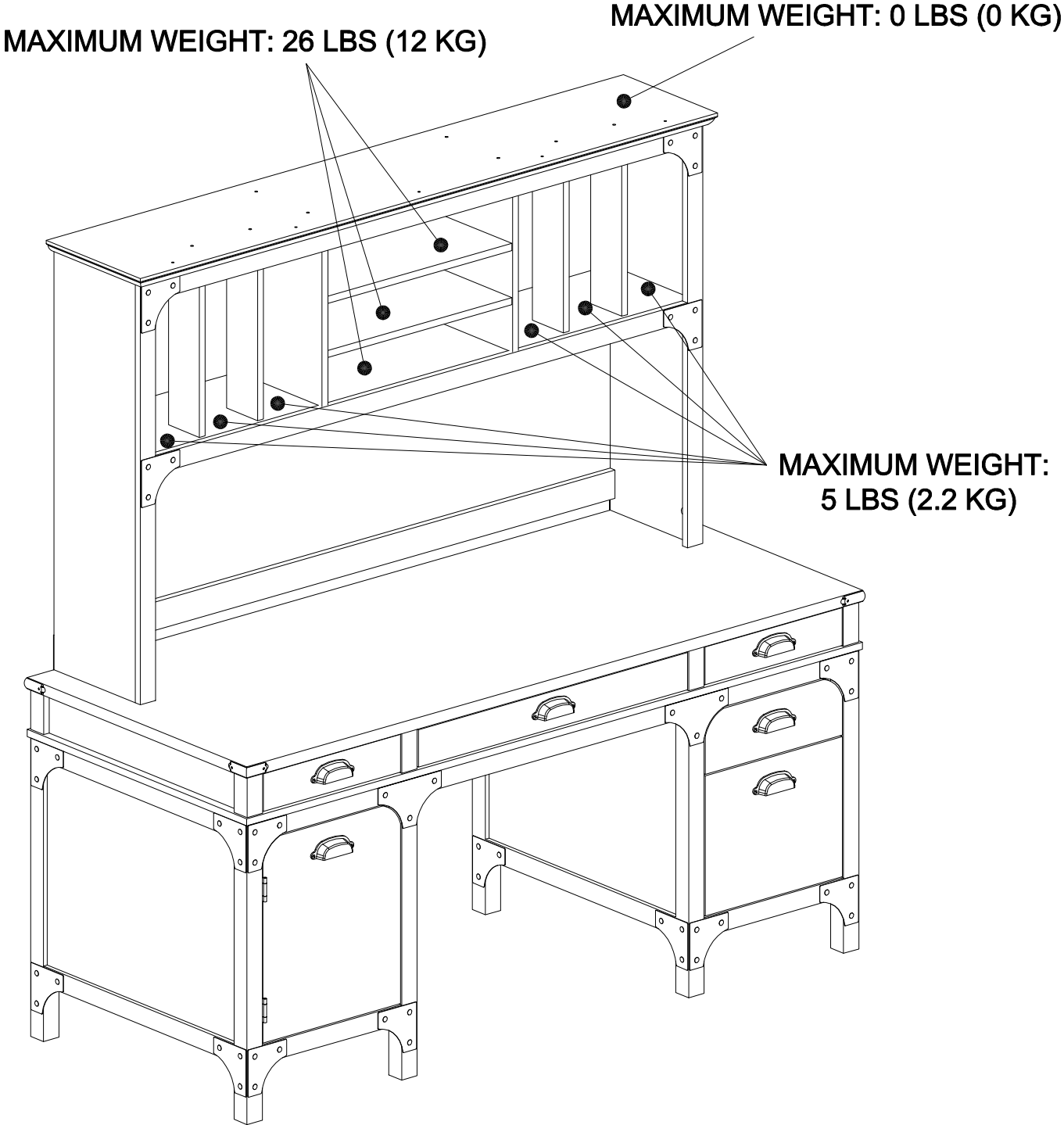
U5 x1pc



Pull to verify lock



# Maximum weight capacities



## What is Proposition 65?

Proposition 65 is a California law that requires warning labels on products that may contain one of more than 800-plus chemicals or ingredients that the California Office of Environmental Health Hazard Assessment (OEHHA) has deemed to cause cancer or other reproductive toxicity. Chemicals and elements on this list include wood dust, brass, and other everyday substances, which can be found in very common household items, such as: lamps, tableware, jewelry, crystal glasses, electric cords, beauty products, automobiles, and furniture.

## Why Did I Find a Proposition 65 Warning on My Home Goods Product?

We include Proposition 65 warnings on all of our products because there is always a chance that one of the 800-plus common chemicals and ingredients listed under this law could potentially be on our furniture or packing materials. We risk large fines under this law, if we don't include this warning.

## Should I worry?

We realize you may be worried finding this warning on our products, but we want to reassure you that the hazardous exposure limits for any of these chemicals have never been found on furniture products that we've shipped to our customers. Additionally, this warning label is very common and can be found on almost every piece of furniture sold in the state of California.

## Just How Common Are Proposition 65 Warnings?

Proposition 65 warnings have become so common in California that it is hard to take a trip to local bank, grocery store, or restaurant without finding at least one warning. In fact, even the Disney Land Resort has a Proposition 65 warning:

