

# BUTLER

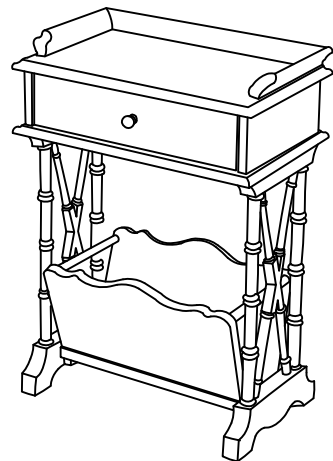
## Assembly Instructions Style Number 999

SPECIALTY COMPANY

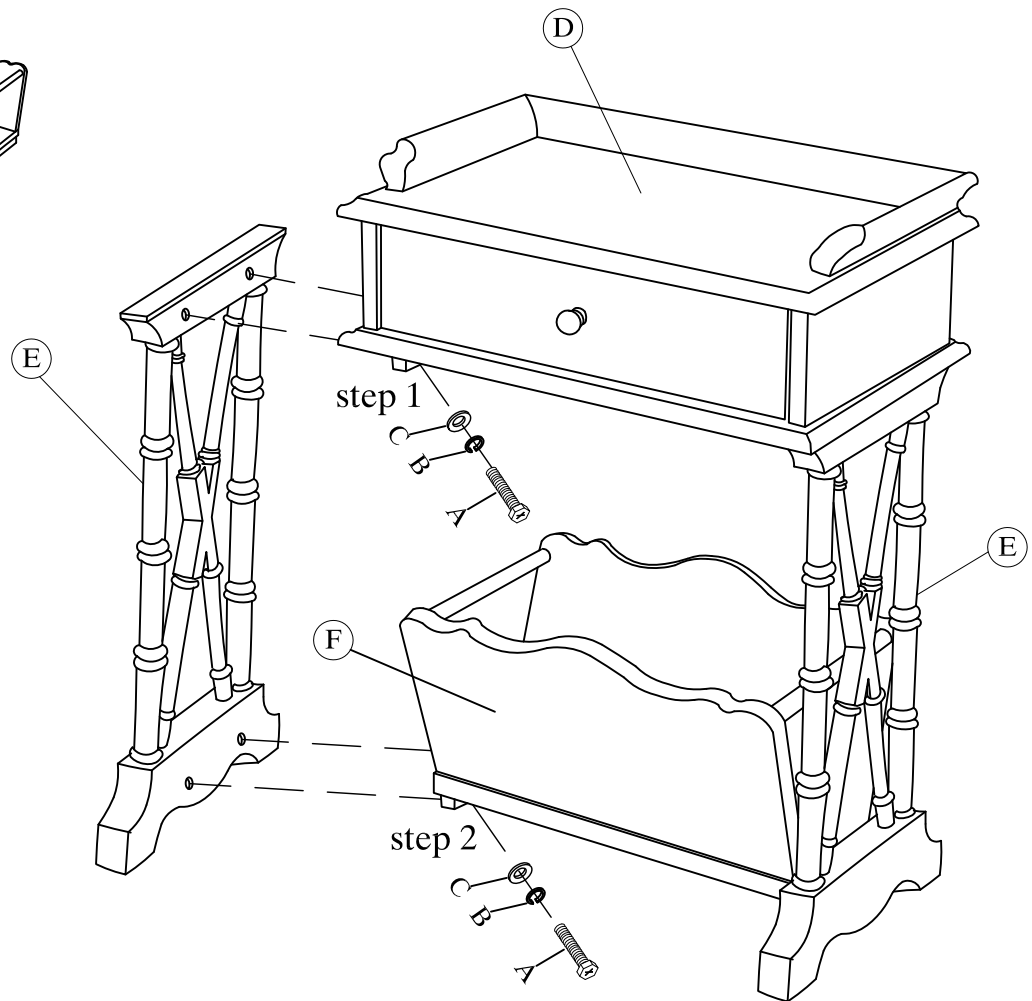
8200 SOUTH CHICAGO AVE., CHICAGO, IL 60617

### PACKAGED

- (A) 8- Bolt                      □ 1/4"\*1-3/4"
- (B) 8- Lock Washer           □ 1/4"
- (C) 8- Flat Washer           □ 1/4"\*Dia16mm



Read all instructions before starting assembly.



### (\*Caution:DO NOT OVERTIGHTEN

In any correspondence regarding this product, please include the complete Butler identification number located on the underside of the product.

*We hope this Martini Table will be a useful and decorative addition to your home for years to come.*

Copyright © Butler Specialty Company, 10/08