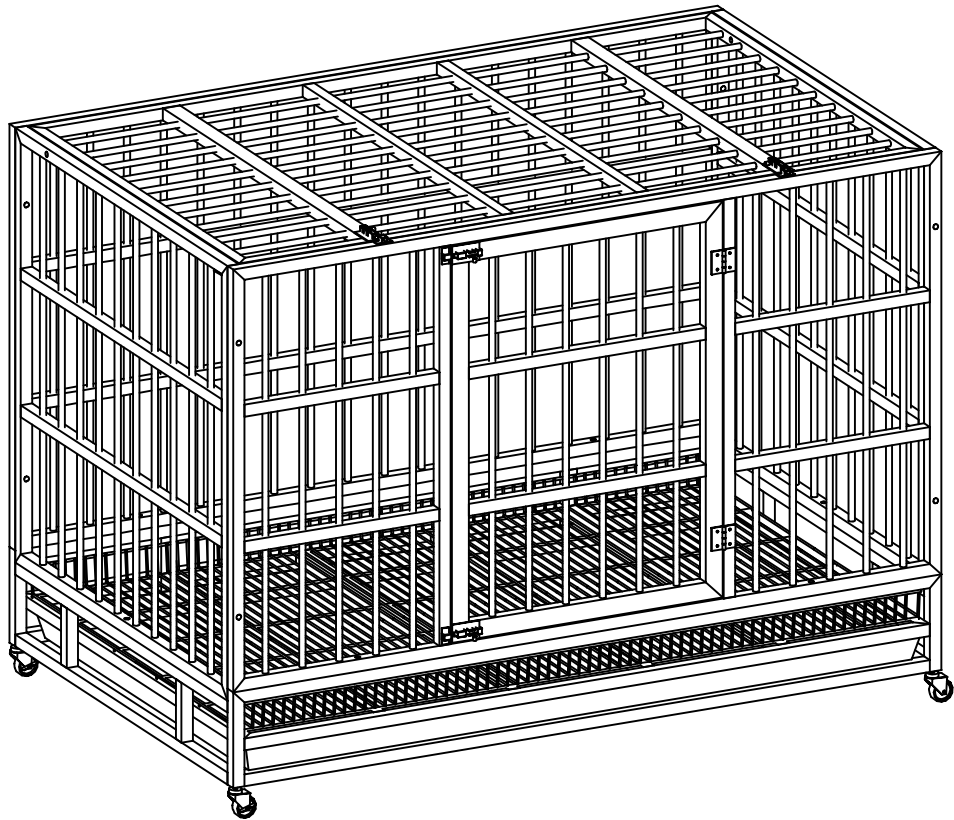


Dog Crate



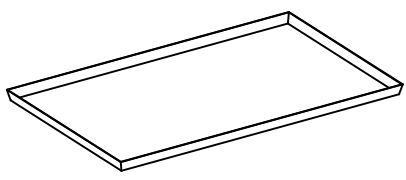
Notes

- If it's helpful, put dog treats to entice the dog into the crate when you use it for the first time.
- To keep your dog safe, always remove the collar before it enters any crate.
- Never use the crate to punish your dog, or it will make your dog think it's a bad place and it will be more resistant to get back in it.
- Keep an eye on your kids and never allow them to climb into or play around the crate.
- Do not keep your dog in the crate for long when it's not sleep time.
- Being locked up for too long can cause psychological problems for dogs. Physical fitness will also deteriorate.

Parts List

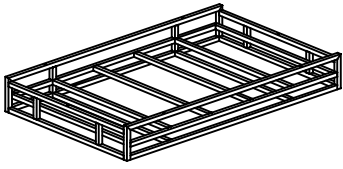


A Plastic pots



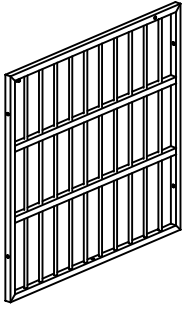
x 1

T01 Underframe



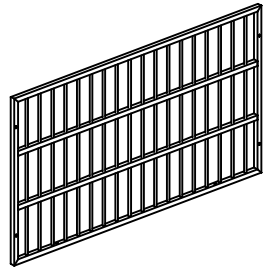
x 1

T02 Side frame



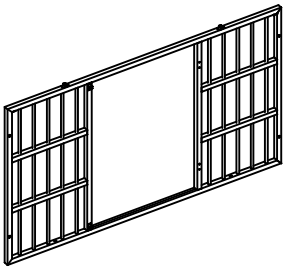
x 1

T03 Back frame




x 1

T04 Front door frame



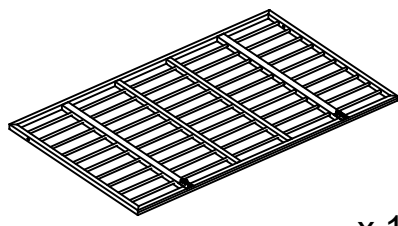
x 1

T05 Front door



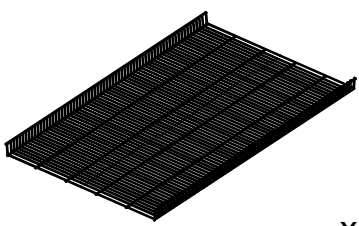
x 1

T06 Top Frame



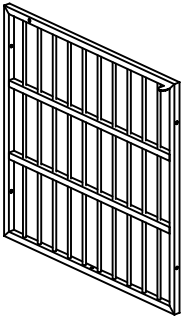
x 1

T07 Bottom net



x 1

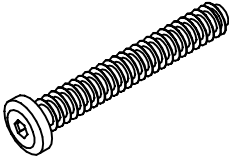
T08 Side frame

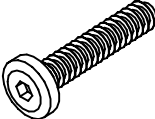


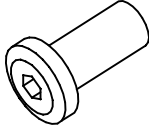
x 1

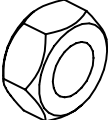
Hardware List

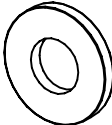


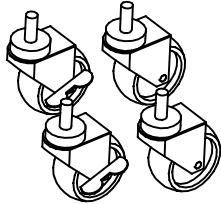
1 Screw

M8x50mm x 2

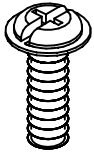
2 Screw

M6x35mm x14+1

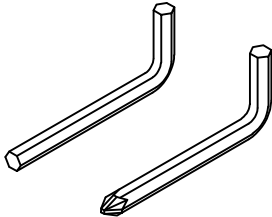
3 Sub-nut screws

6x15 x 14+1

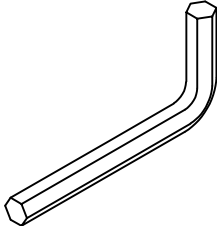
4 Non-slip nut

M8 x 2

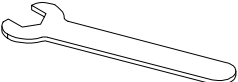
5 Gasket

8x17 x 2

6 Wheels

M6x25mm
2 IN. x 1

7 Screws

M4x10 x 8

8 Inner allen wrench

4# x 1

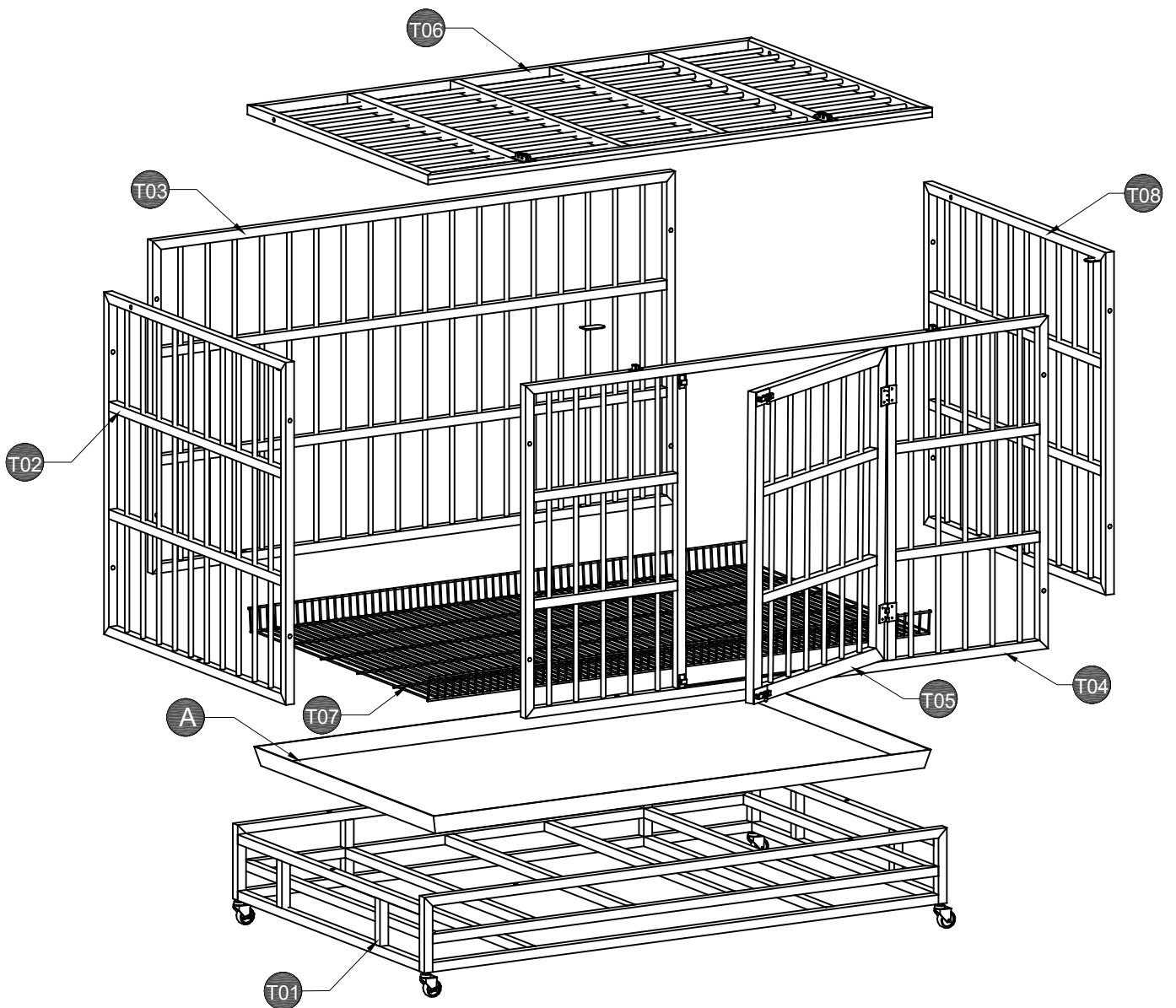
9 Inner allen wrench

5# x 1

10 Open spanner

14MM x 1

EXPLODED VIEW



Notes: *Don't over-tighten the screws until all the parts are in place.*



INSTALLATION STEPS

Step 1

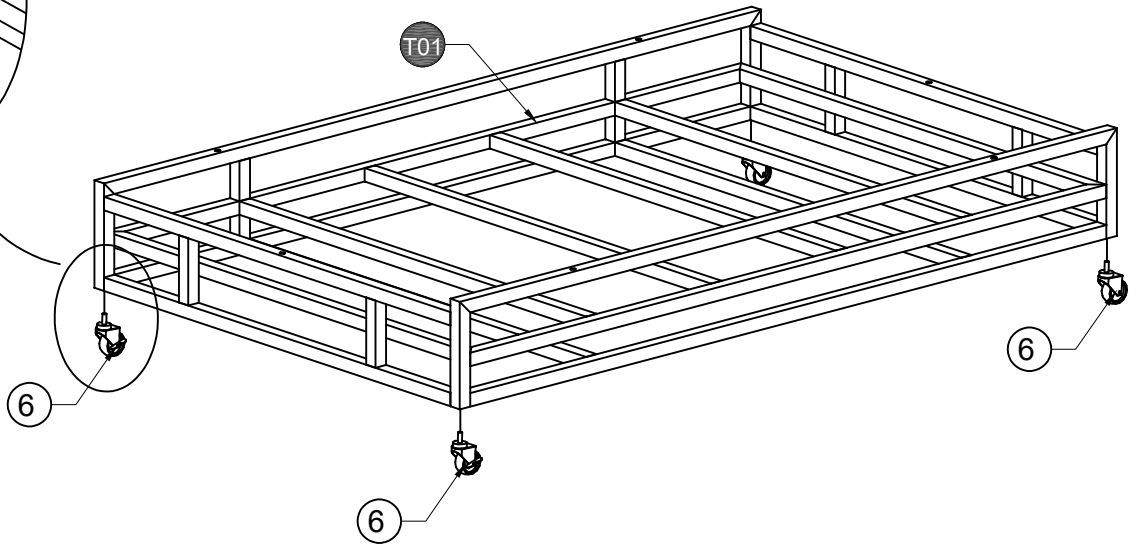
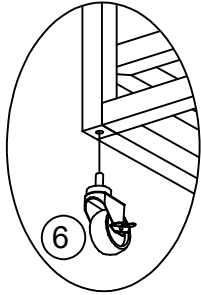
M6x25mm
2 IN.



6 x 1



T01 x 1



Step 2

M6x30mm

6x15



2 x 2



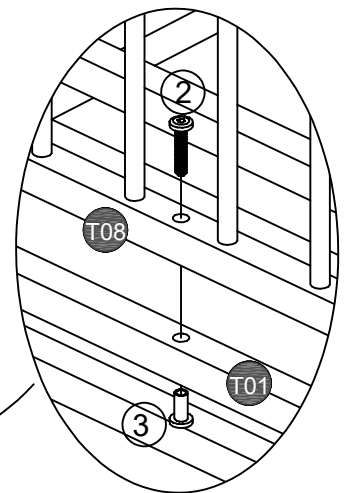
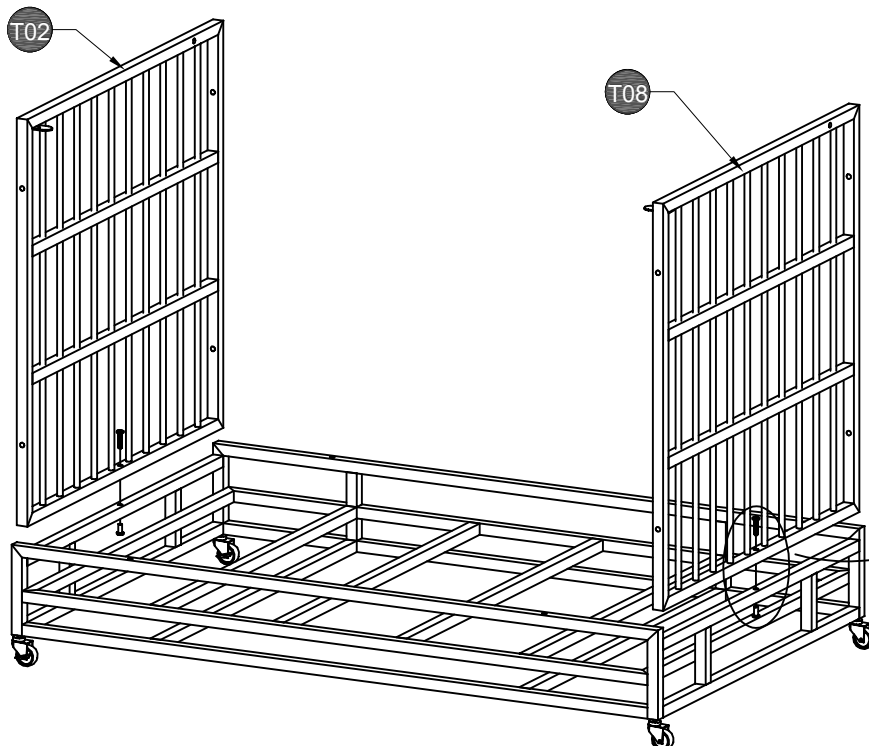
3 x 2



T02 x 1



T08 x 1



INSTALLATION STEPS

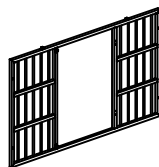


Step 3

M4x10mm



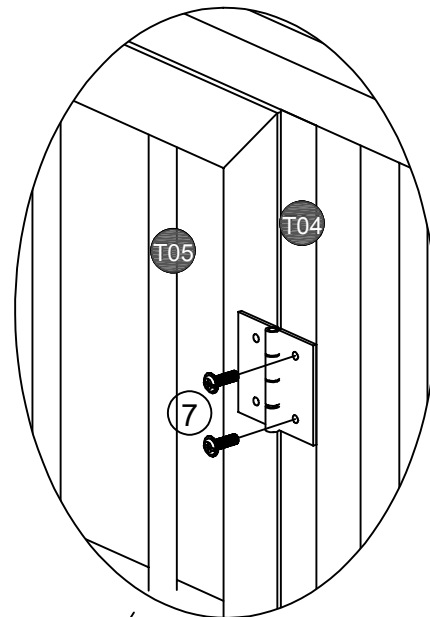
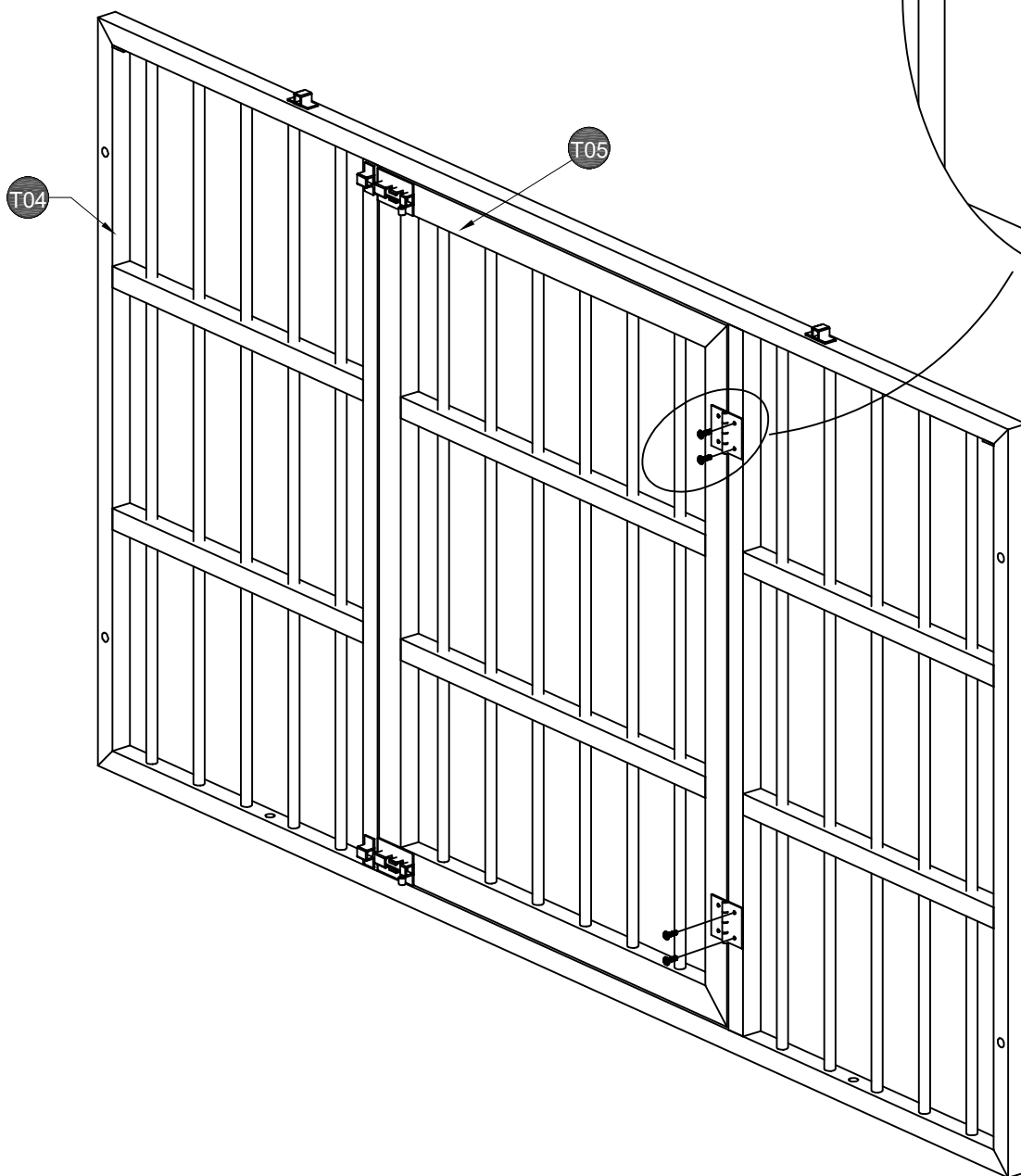
7 x 4



T05 x 2



T05 x 2



INSTALLATION STEPS

Step 4

M6x35mm

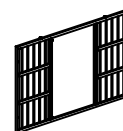
6x15



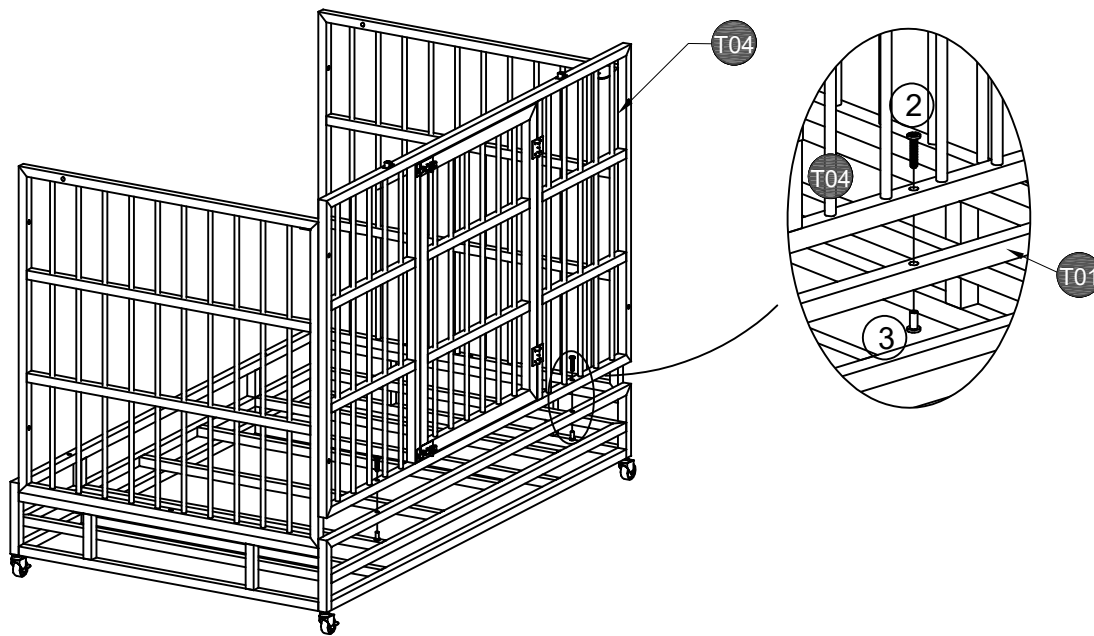
② x 2



③ x 2



T04 x 1



Step 5

M6x35mm

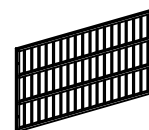
6x15



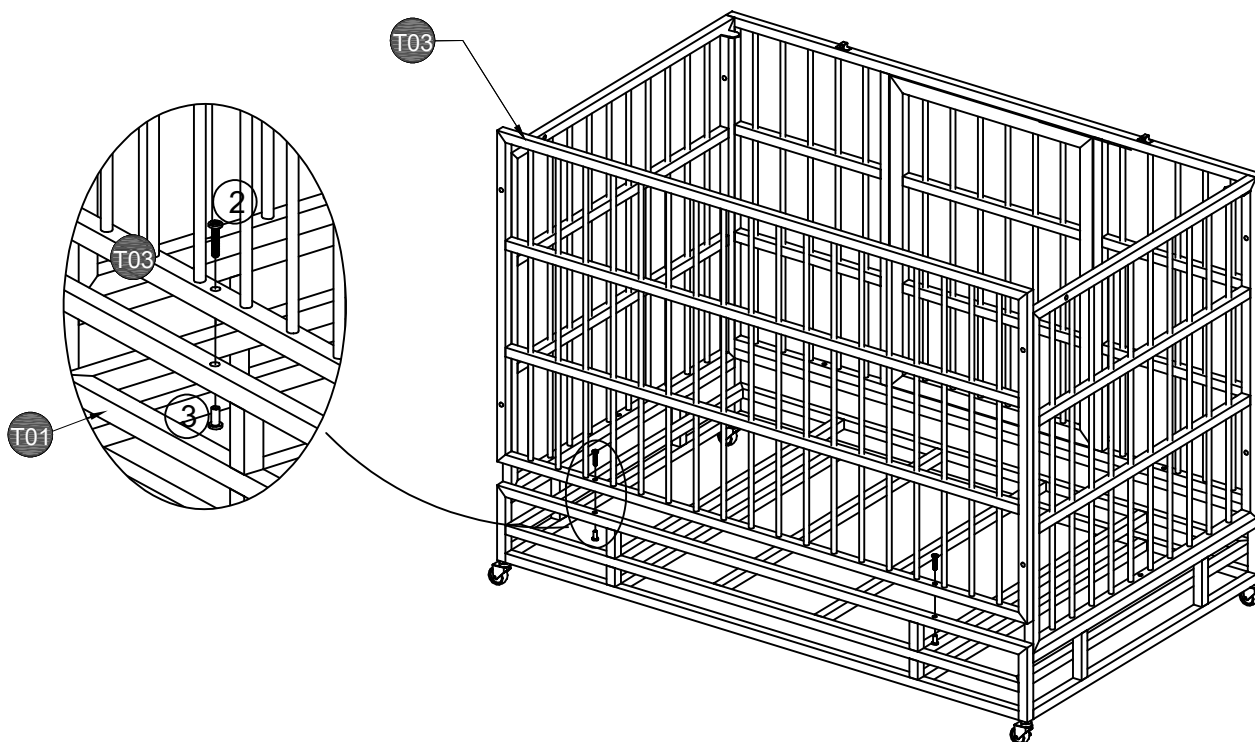
② x 2



③ x 2



T03 x 1



INSTALLATION STEPS



M6x35mm

6x15mm

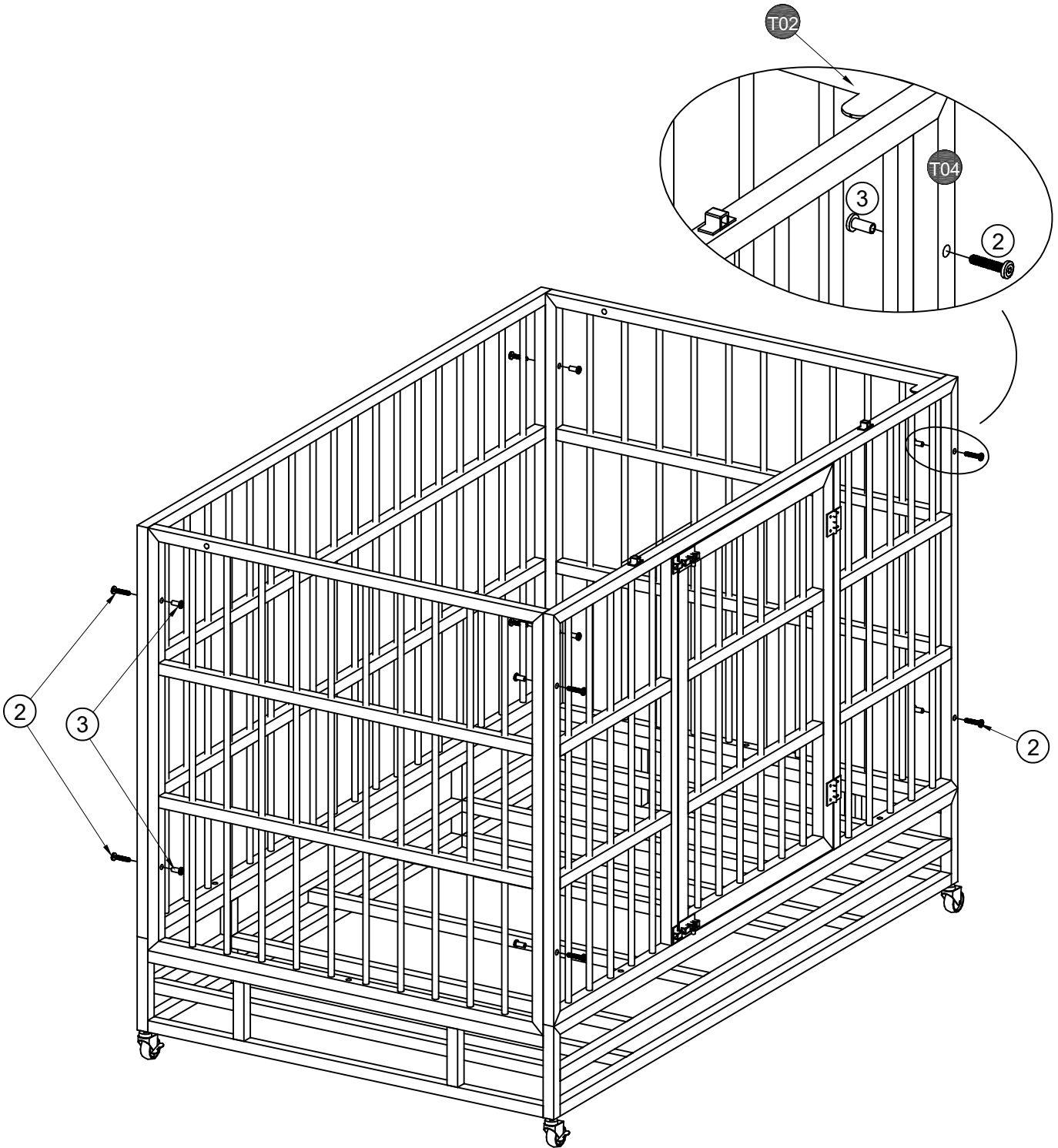
Step 6



2 x 8



3 x 8



INSTALLATION STEPS

Step 7

M8x50mm

M8

8x17



1 x 2



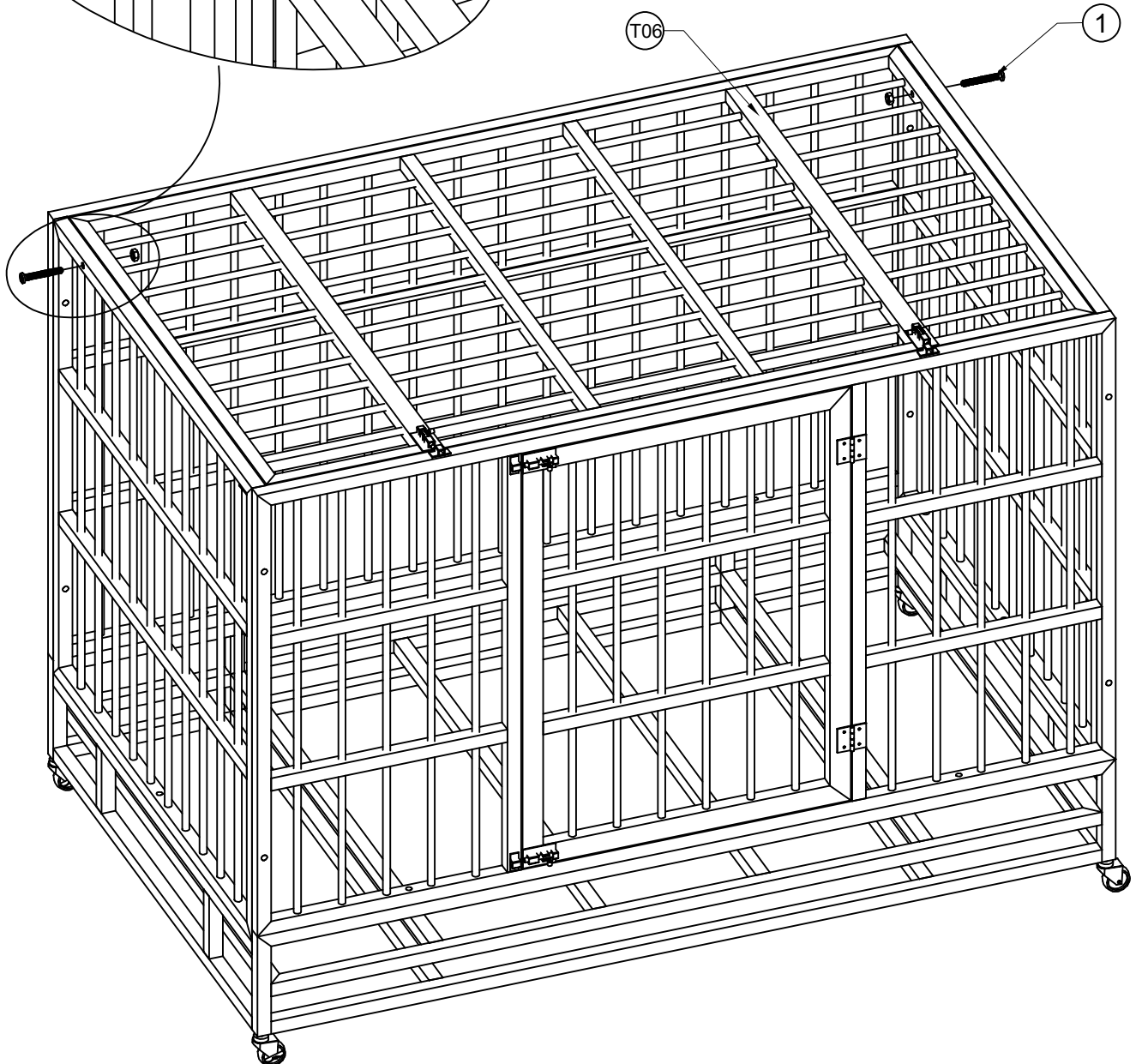
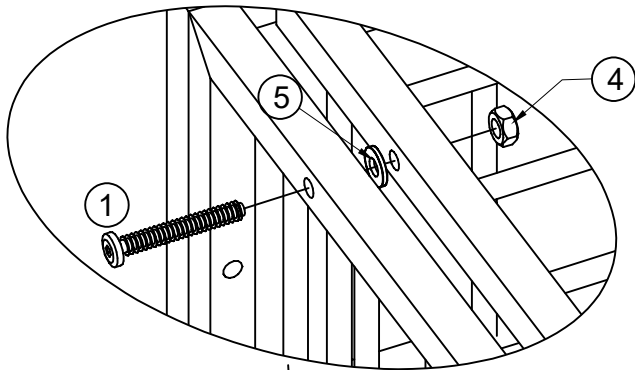
4 x 2



5 x 2

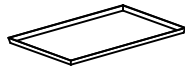


T06 x 1



INSTALLATION STEPS

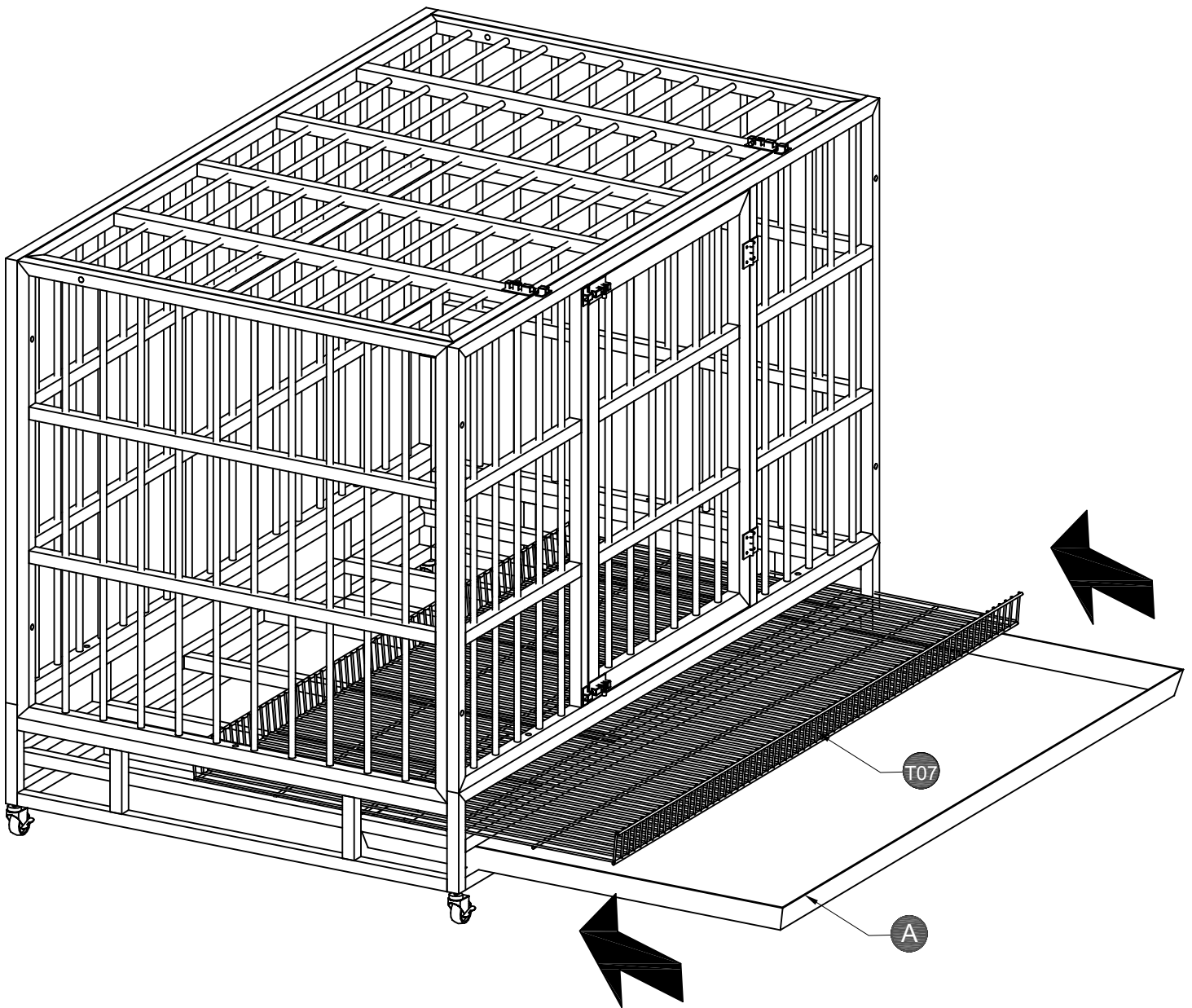
Step 8



A x 1



T07 x 1

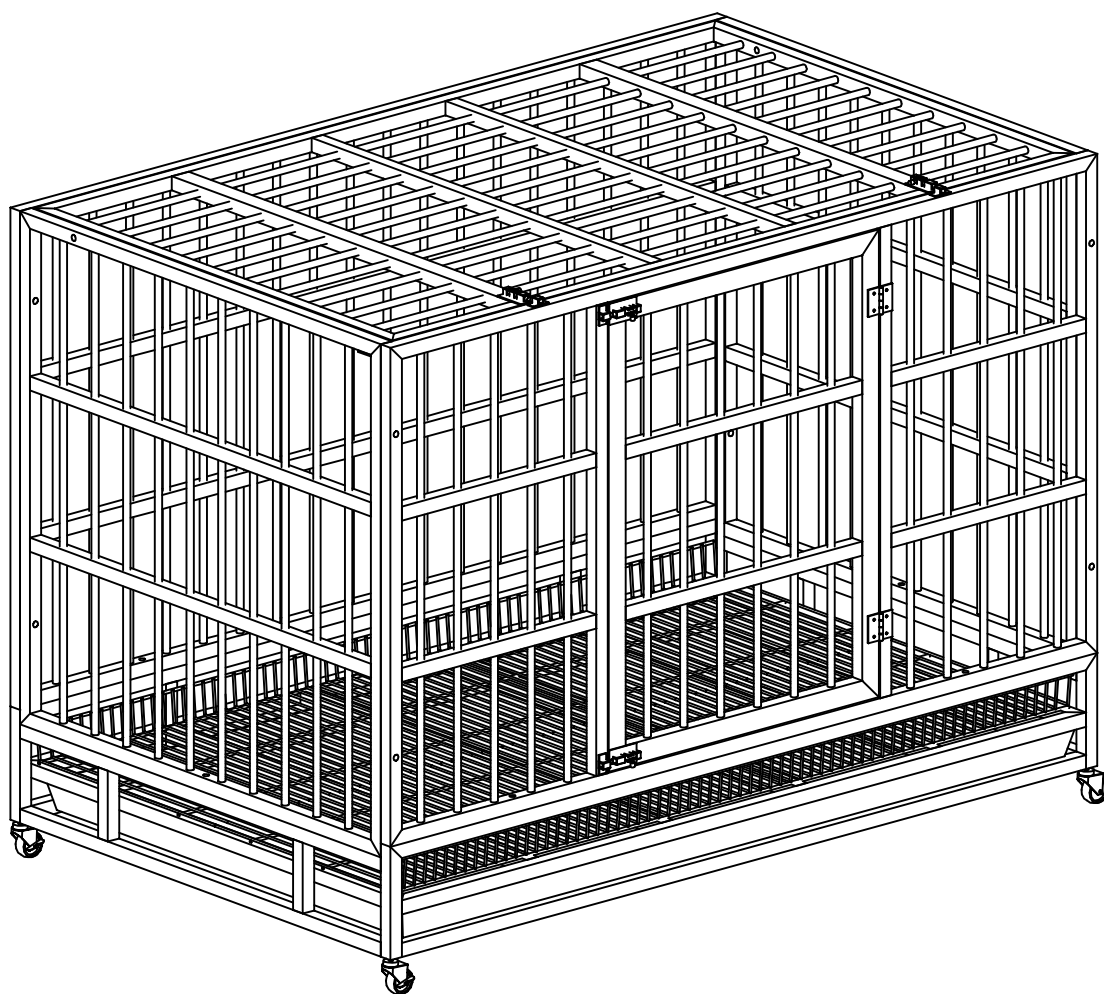


INSTALLATION STEPS



Step 9

Finished assembly



Warning

Seller is responsible for the product-related issues occurred upon receipt, but will not be responsible for the personal injury, property damage or loss resulting from the incorrect assembly, improper use, inadequate maintenance or neglect of this product.