




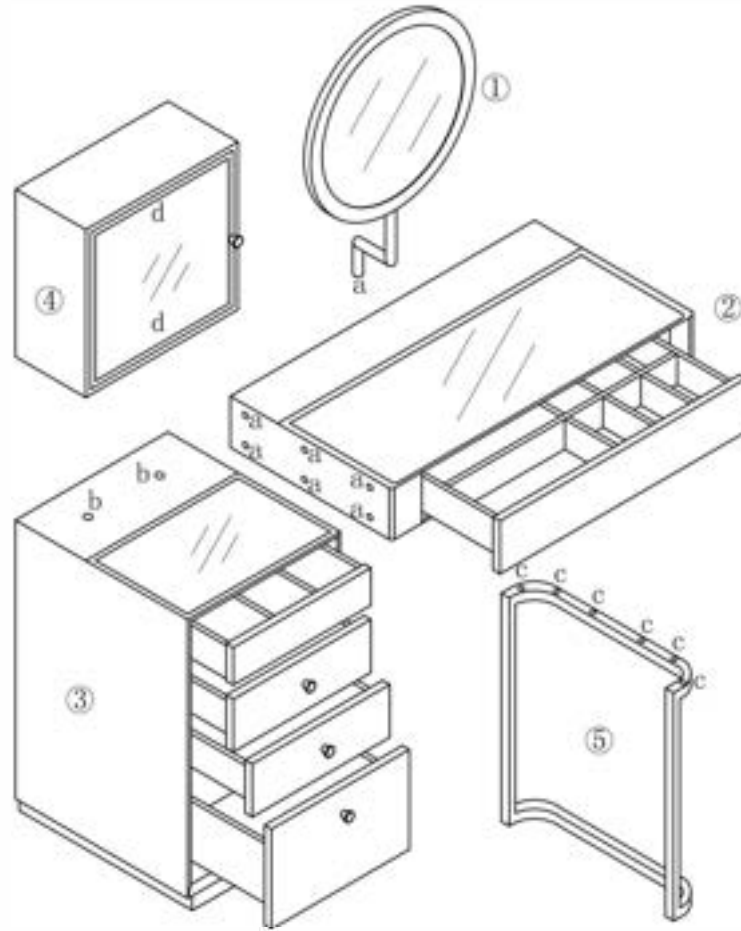


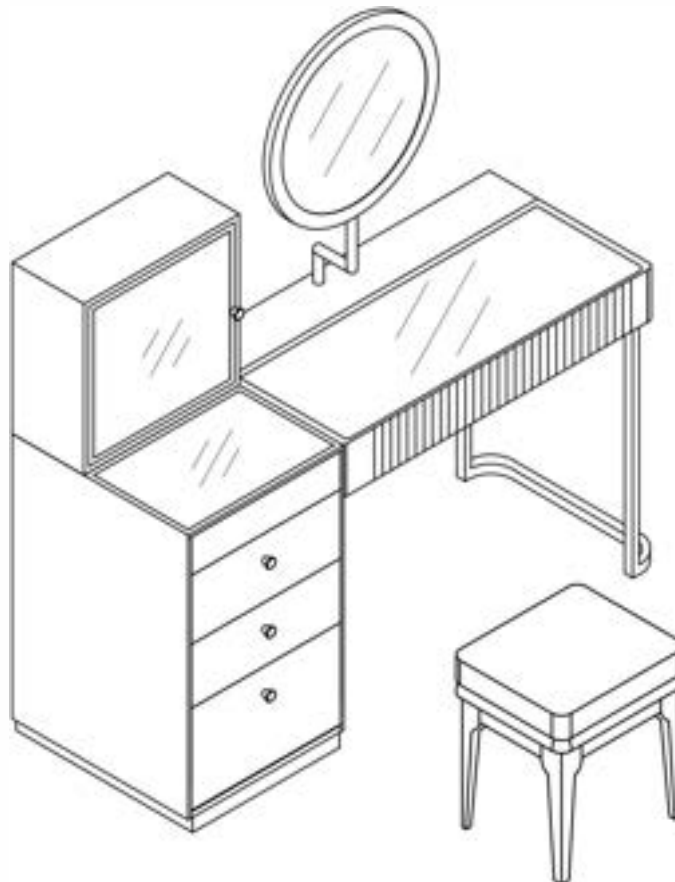
Installation





No.	Parts	Quantity
①		1
②		1
③		1
④		1
⑤		1

STEP 1



STEP 2



No.	Picture	Specification/Quantity
a		M6*25 =10
b		M6*30 =2
c		M6*35 =6
d		LED Light = 2