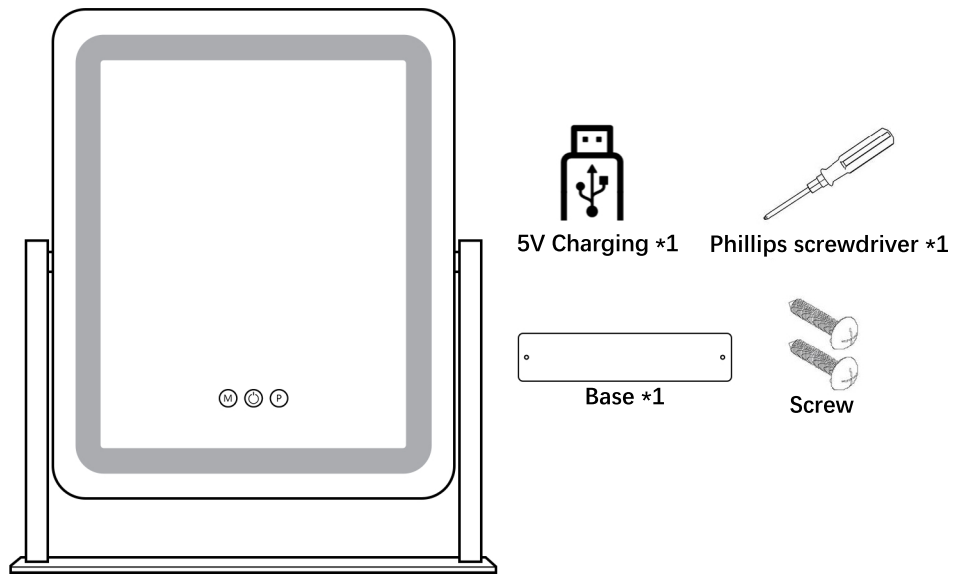
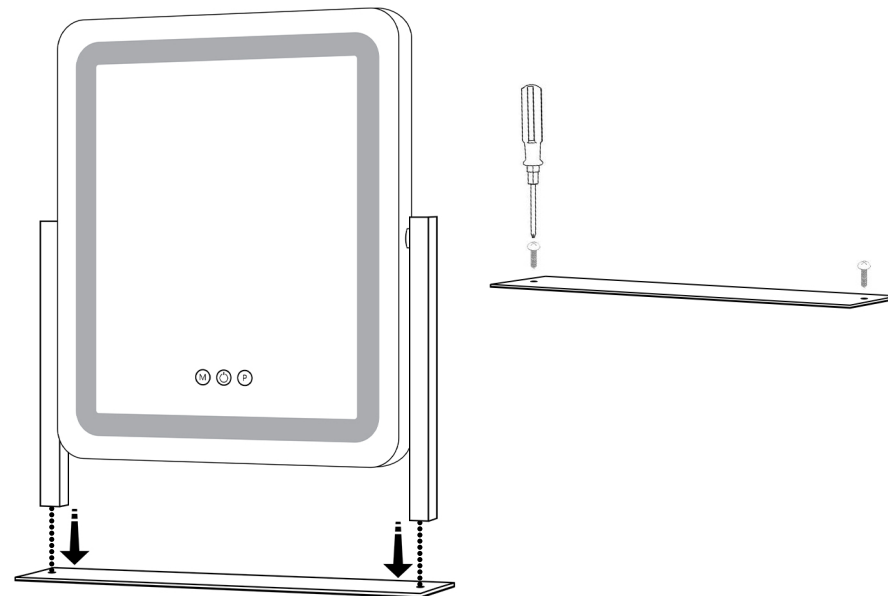


Installation Instruction

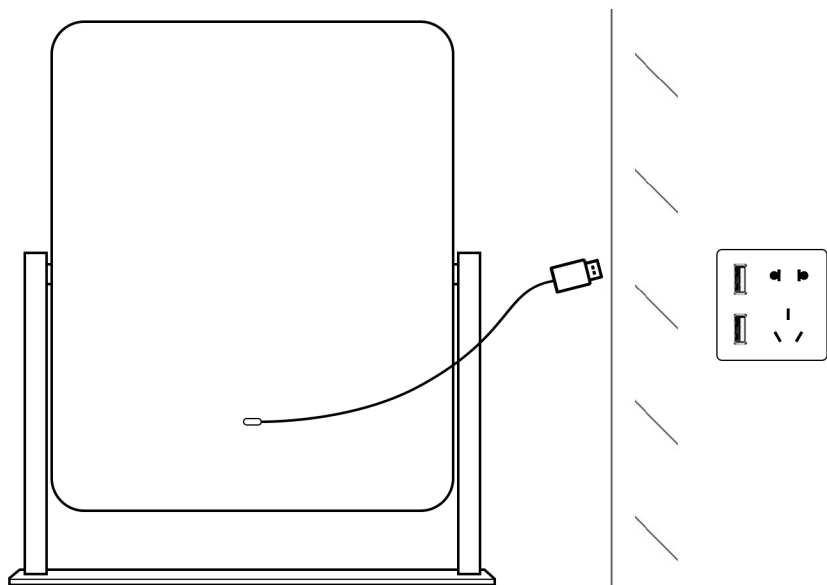
1 Take out the mirror and the accessories






2 Adjust the base and lock it with screws



3 Plug in the power



4 Click the button to switch the color, long press the button to adjust the brightness

-  Press and Hold to Adjust the Brightness.
-  Turn On/Off.
-  Change Lighting Mode.

