

AFTERSALE SERVICE

Dear customer,

Thank you so much for purchasing the product from us, we really appreciate your support.

We are aimed to provide the best shopping experience to our customers. We also want to build a mutually beneficial relationship with our customers, and step further to make our brand both reliable, responsible and recommendable.

We hope that our products could meet your needs and expectations, please consider us again if you need more products for your home and kitchen.

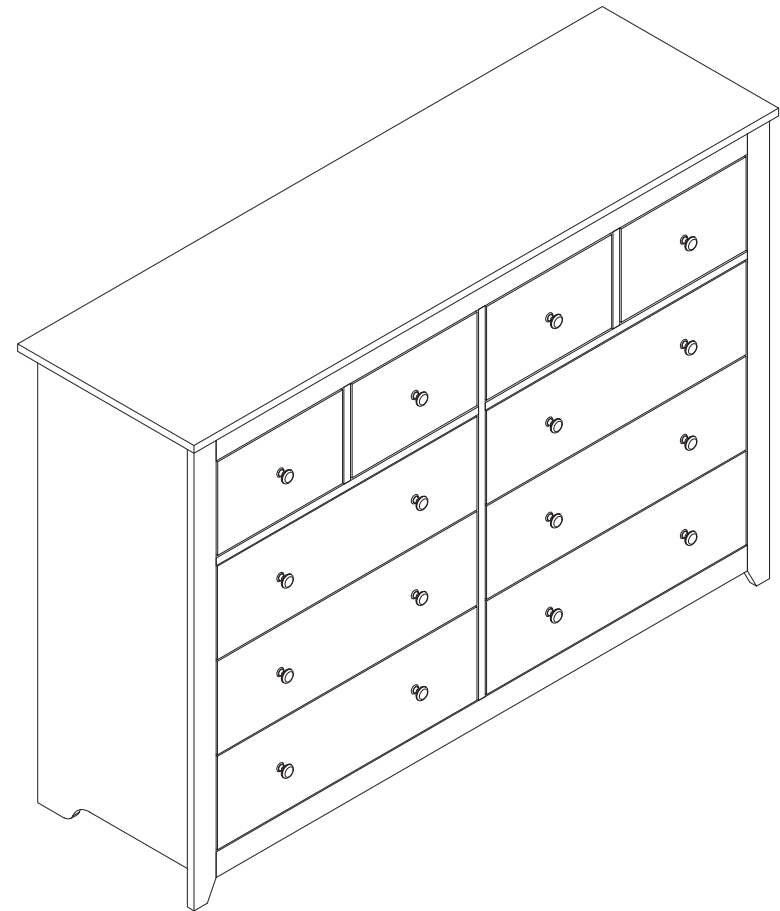
The package would be out of our control during shipping, please contact us through your purchasing channel directly if there is anything wrong with the box or contents. We are always here offering you our service.

We will reply your messages within 24 hours, please kindly wait for the response from our professional service team.

Your comfort and contentment are of utmost importance.

Best Regards,
Customer Care Specialist

ASSEMBLY INSTRUCTION



EXPLODED DRAWING:

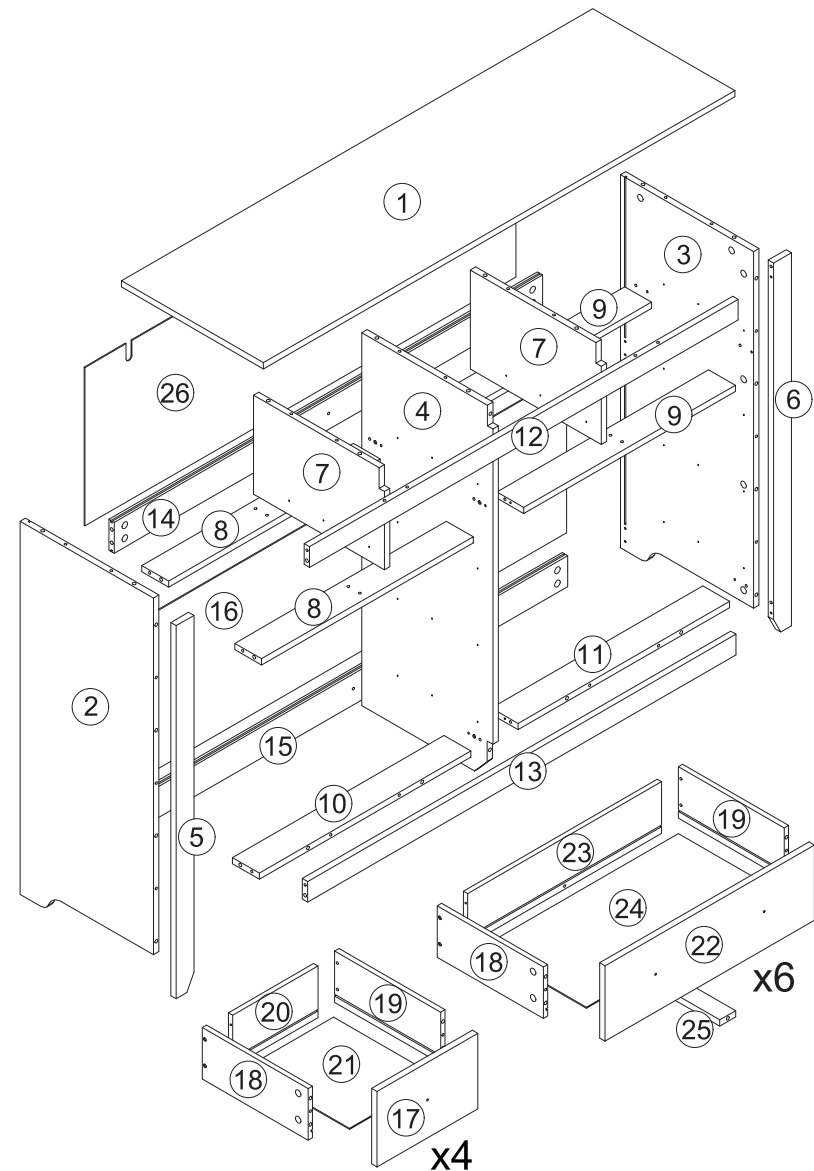


Serious or fatal crushing injuries can occur from furniture tip-over.

ALWAYS secure this furniture to the wall using tip-over restraints.

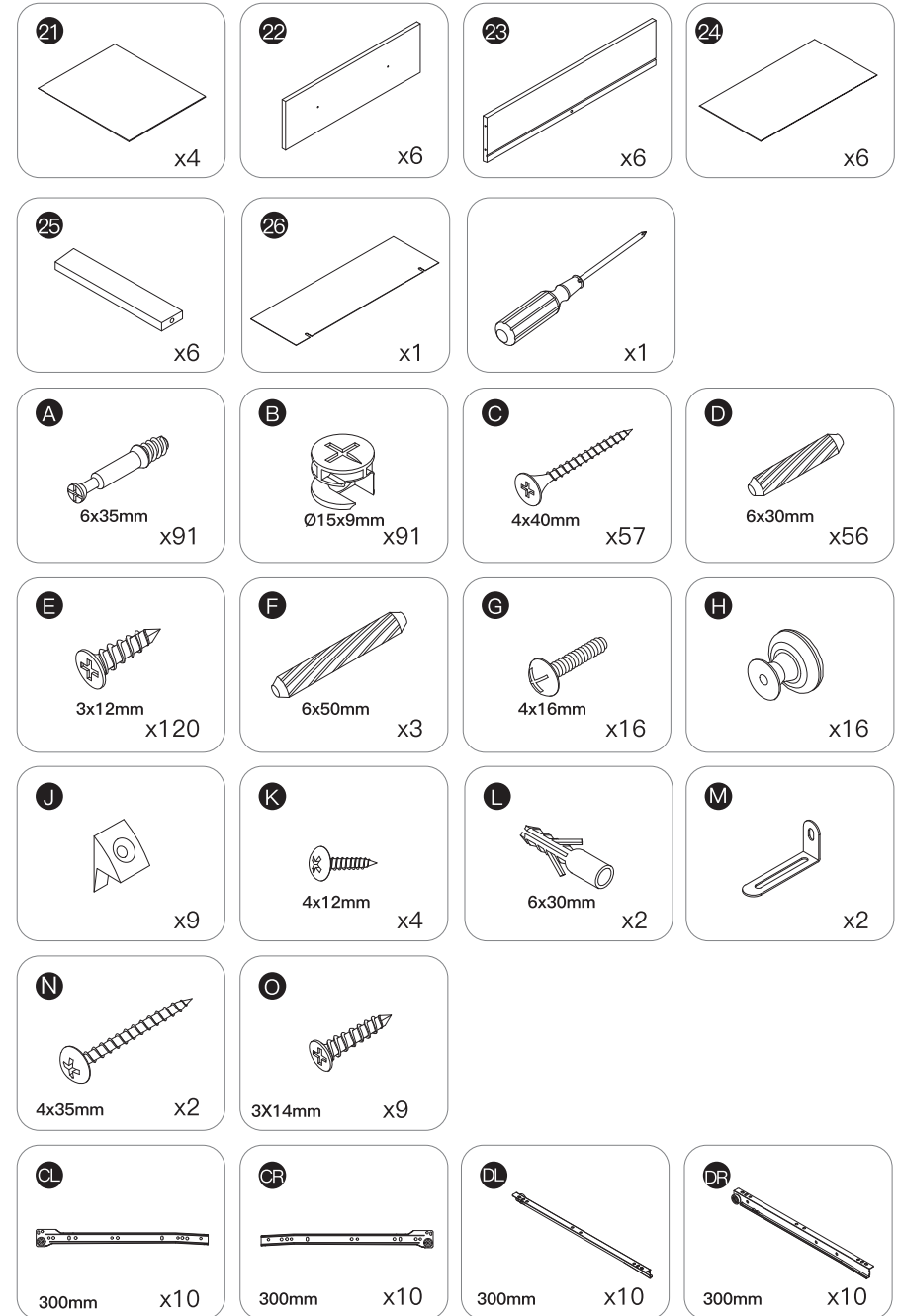
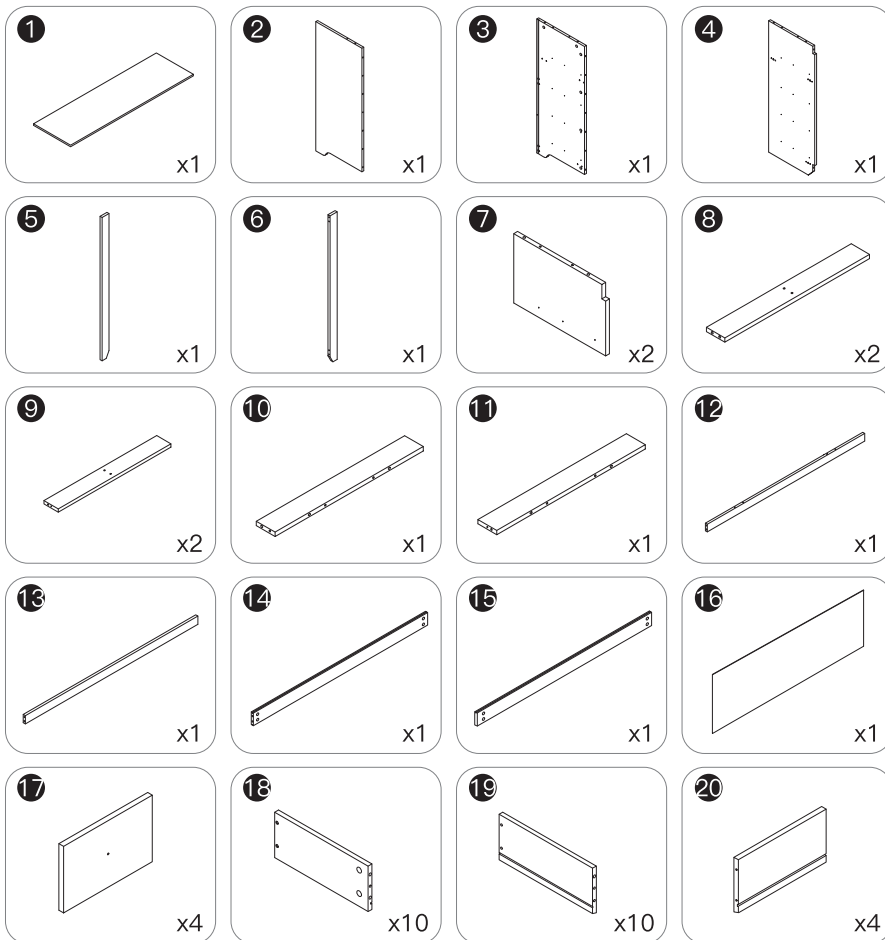
To further reduce the risk of serious injury and death from tip-overs:

- Install Anti-tip device.
- Place heavier items in the lower drawer.
- Never let children climb or hang on drawers or shelves.
- Do NOT set heavy objects on top of this product.



Please check all parts and accessories according to the parts list before assembling, make sure all contents are sufficient and in good condition. If there is any parts missing or defective, please contact us immediately with purchase platform message to get replacement parts.

PARTS:

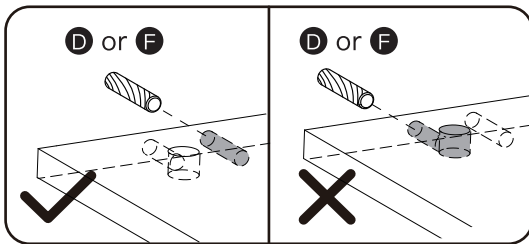


HOW TO INSTALL

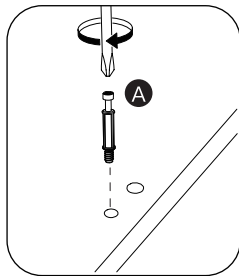
NOTICE:

1. Use electric drill for easier installation experience.
2. Please drive the screws in pre-drilled holes.
3. Please strictly follow the instruction and diagram in every step.
4. Make sure every part is on the right position, otherwise it may cause unnecessary problem.
5. Select the proper component via the label on every part while assembling.

REMARK:



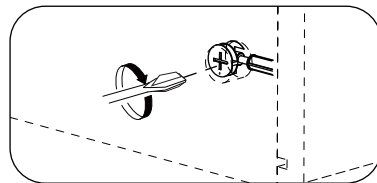
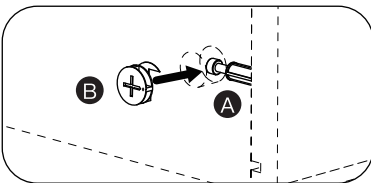
Avoid inserting part D or F into wrong holes.



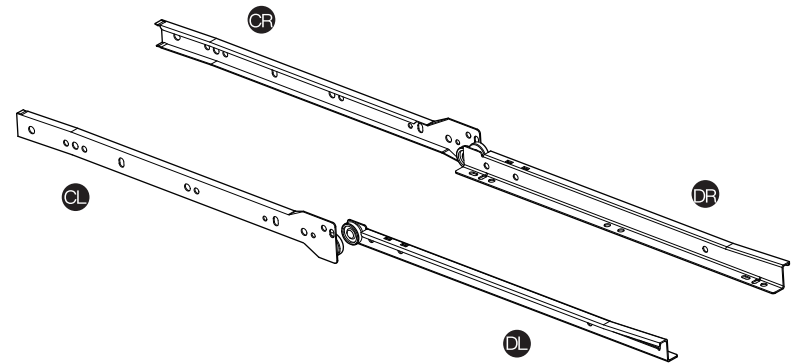
Part A must be installed into the holes with rubber nuts which are smaller than others.

Please ensure that part A is facing the direction of the gap of part B .

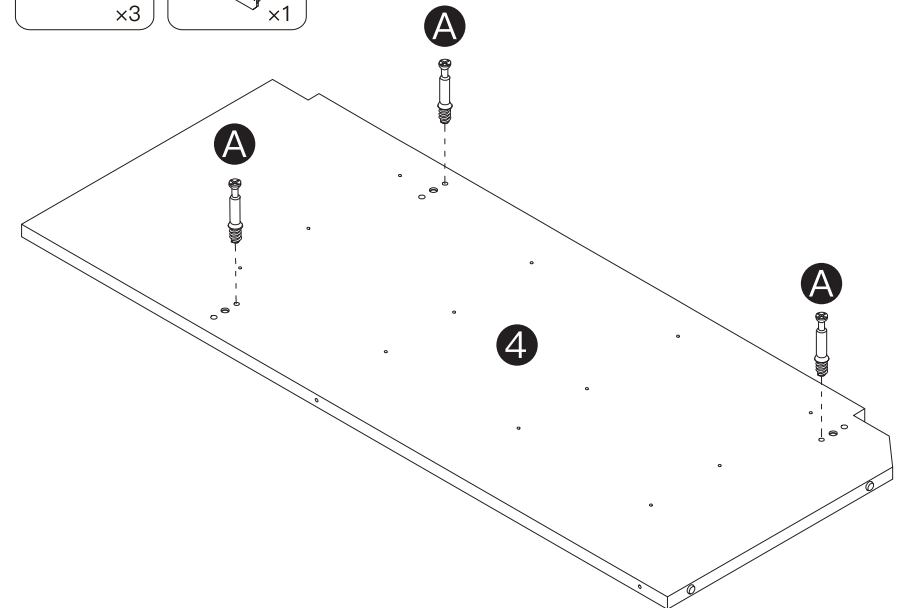
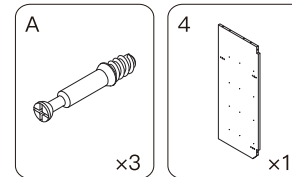
When locking part B, please make sure part A is fully inserted.



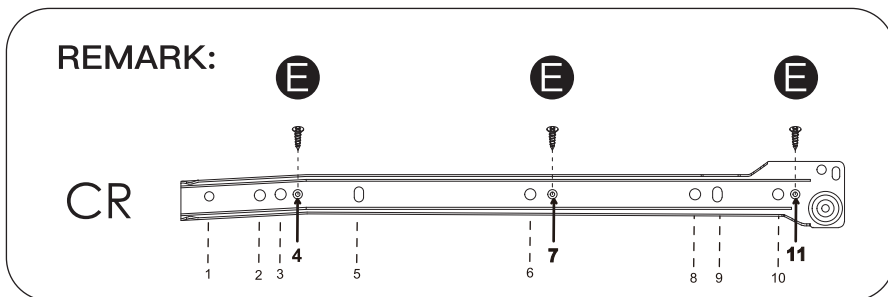
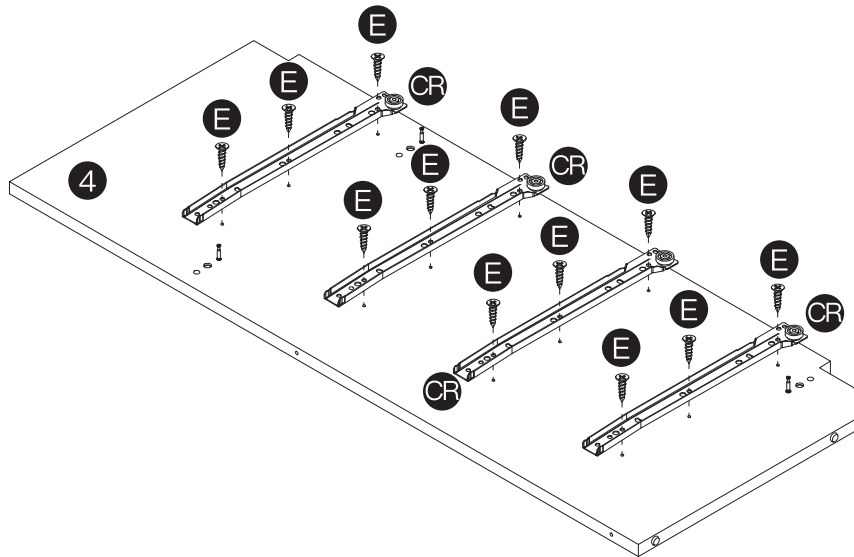
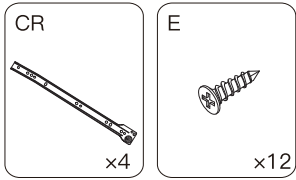
REMARK:



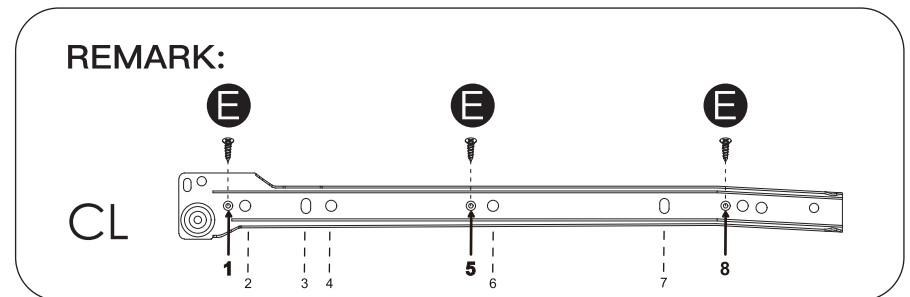
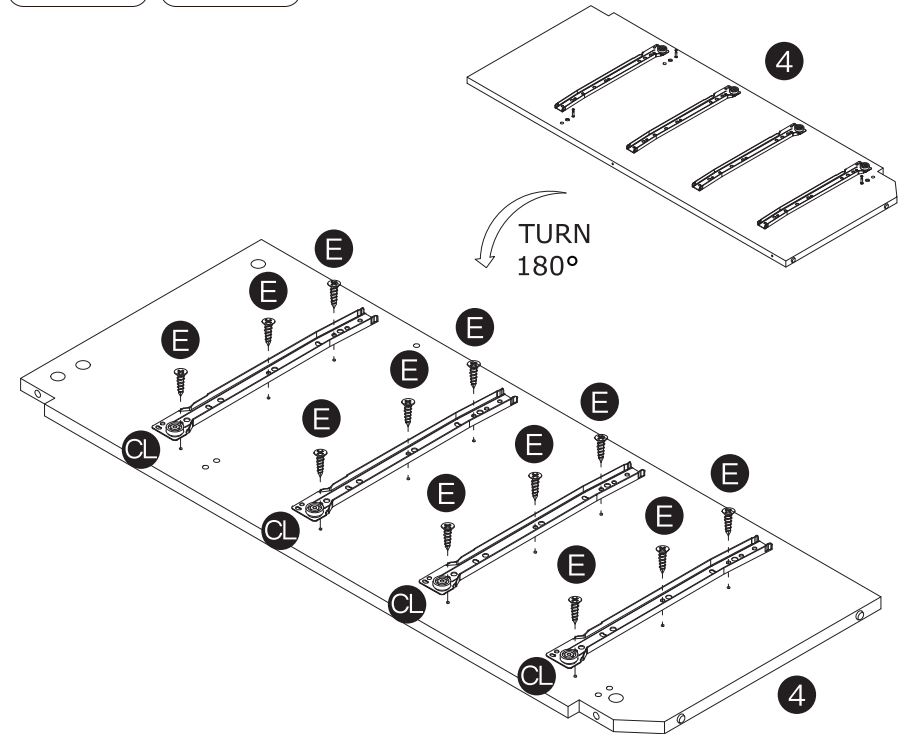
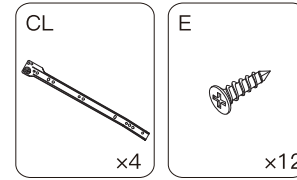
Step 1 Install part A on part 4 .



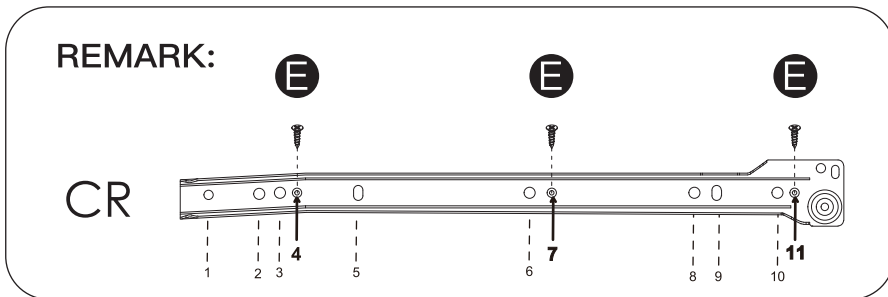
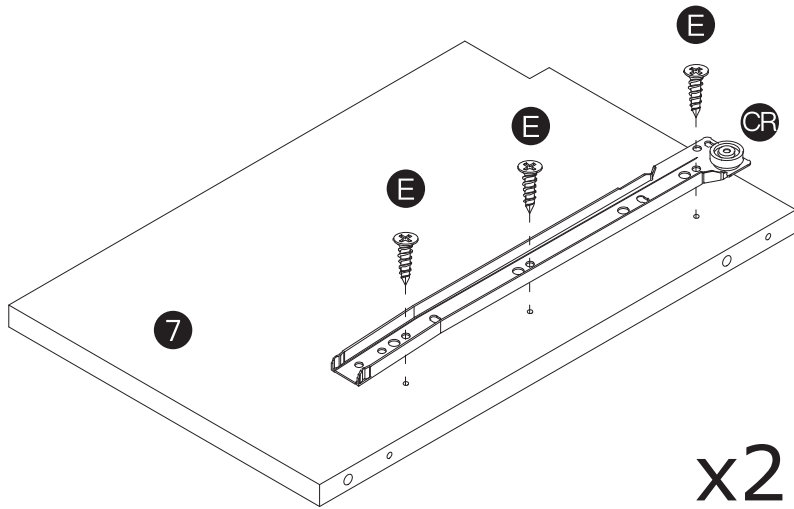
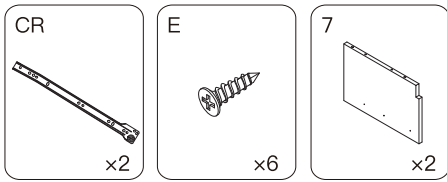
Step 2 Install part **CR** on part **4**, use part **E** to screw them.



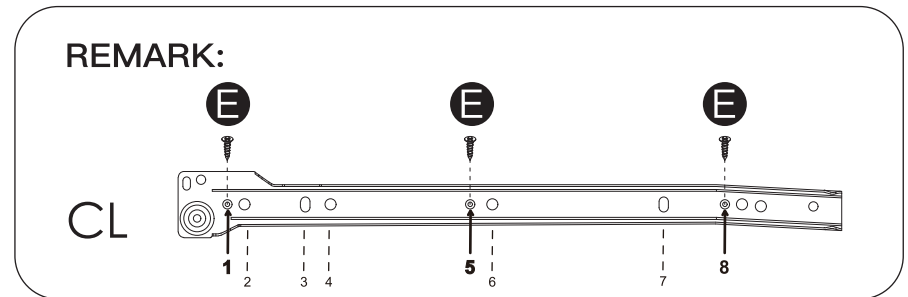
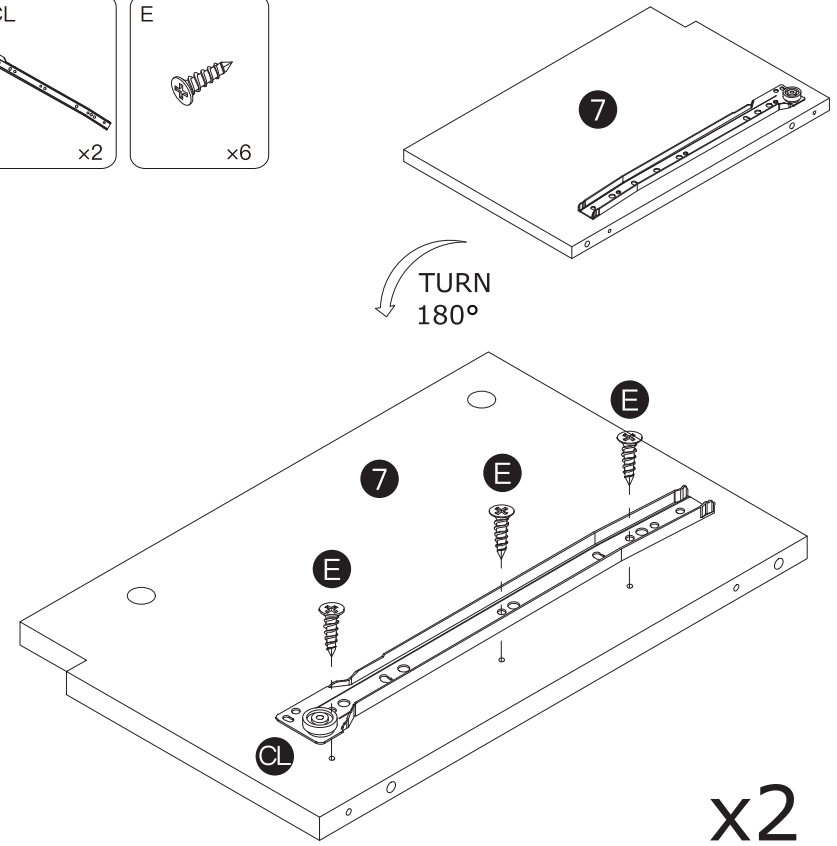
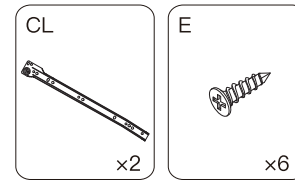
Step 3 Install part **CL** on the other side of part **4**, use part **E** to screw them.



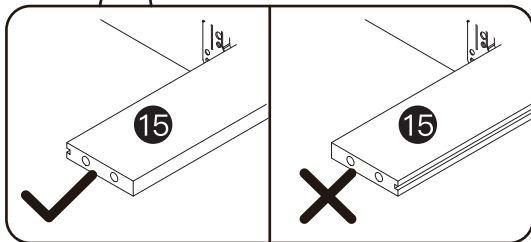
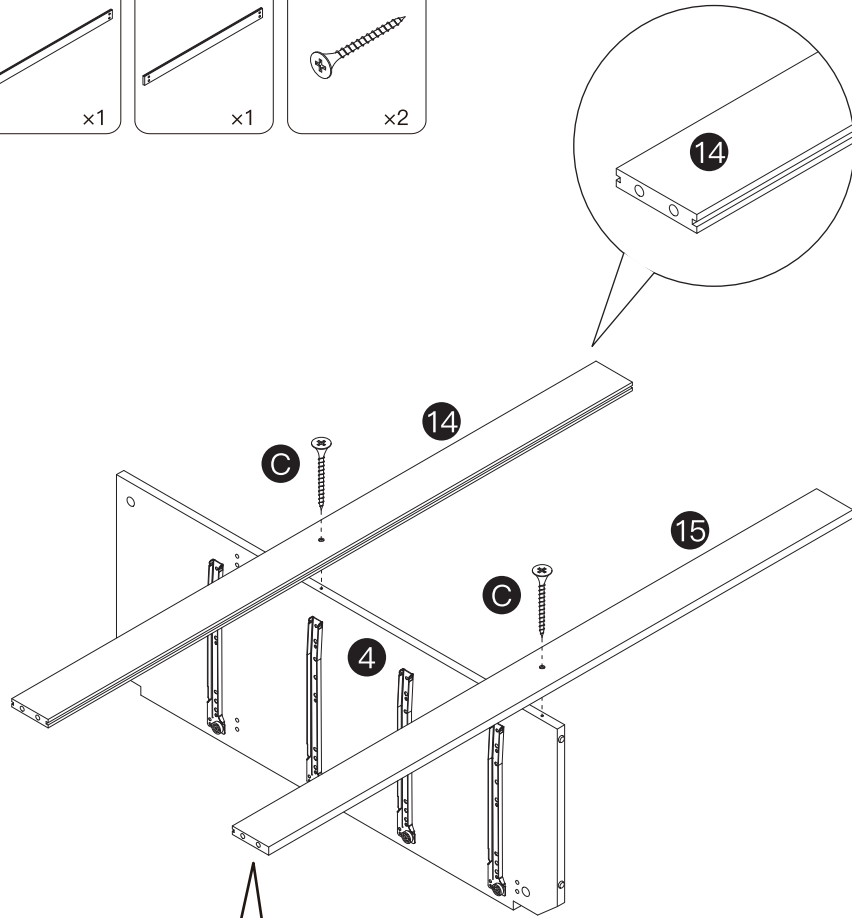
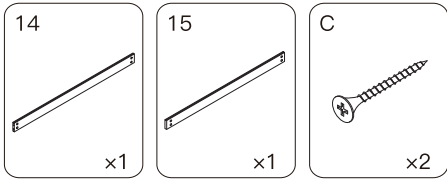
Step 4 Install part **CR** on part **7**, use part **E** to screw them.



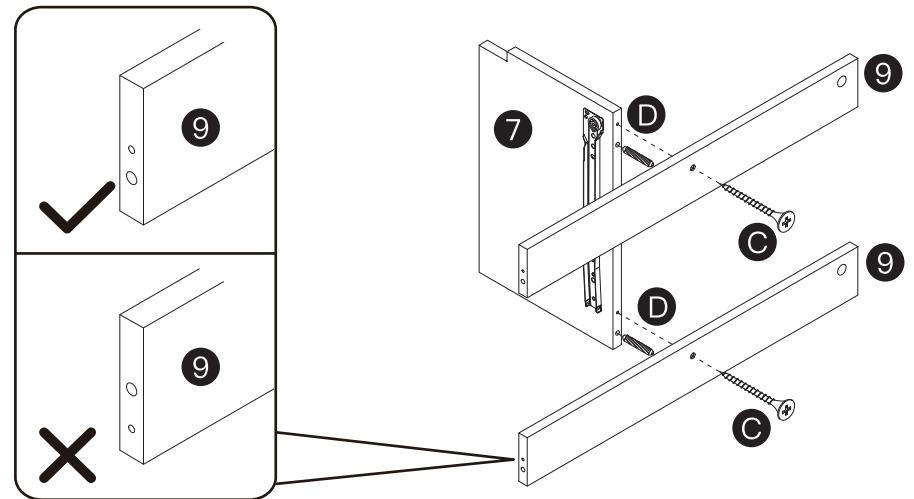
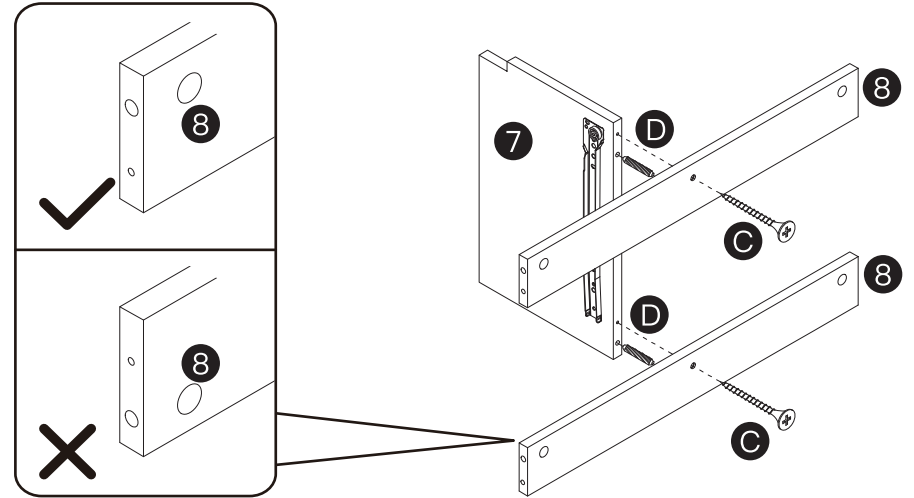
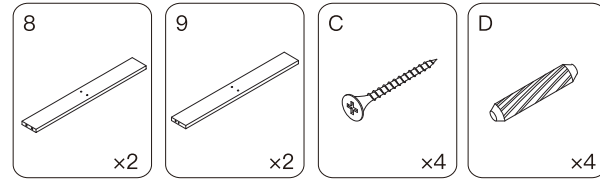
Step 5 Install part **CL** on the other side of part **7**, use part **E** to screw them.



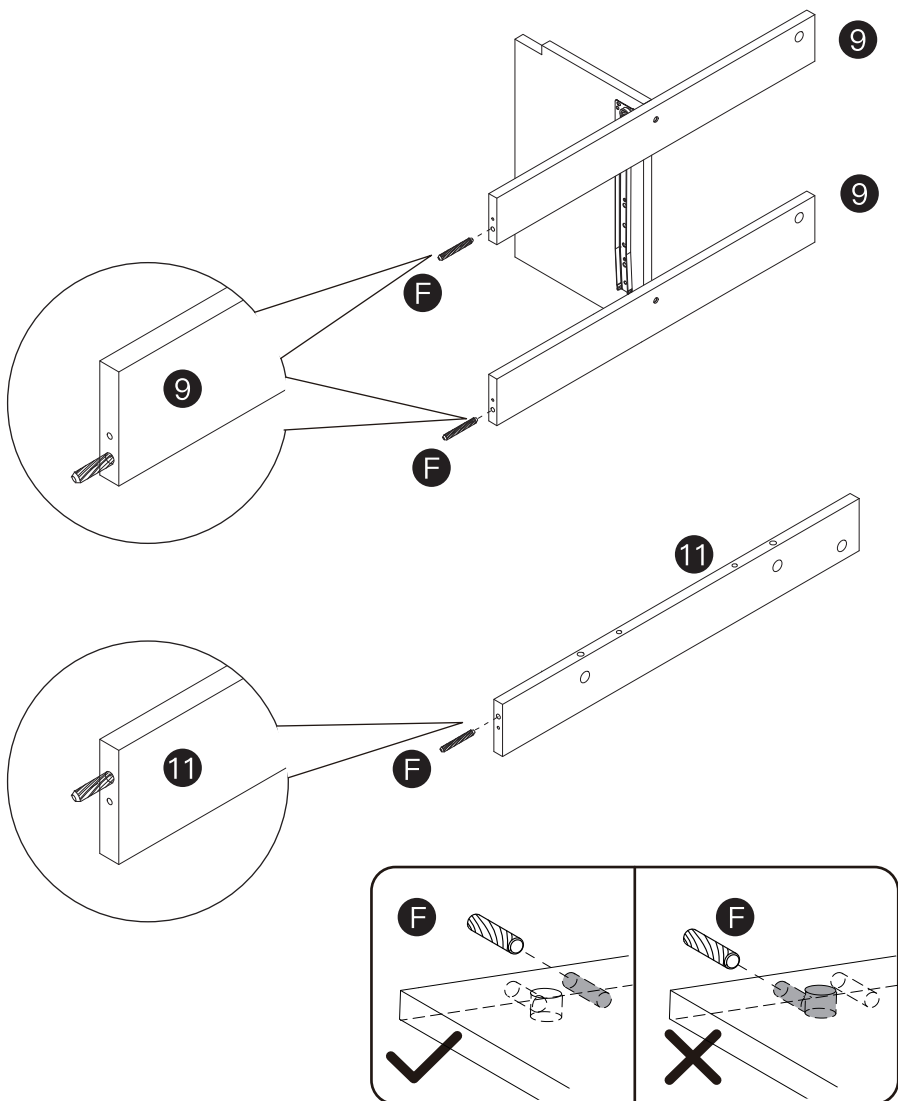
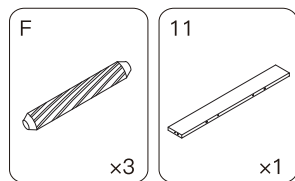
Step 6 Install part 14 & 15 on part 4, use part C to screw them.



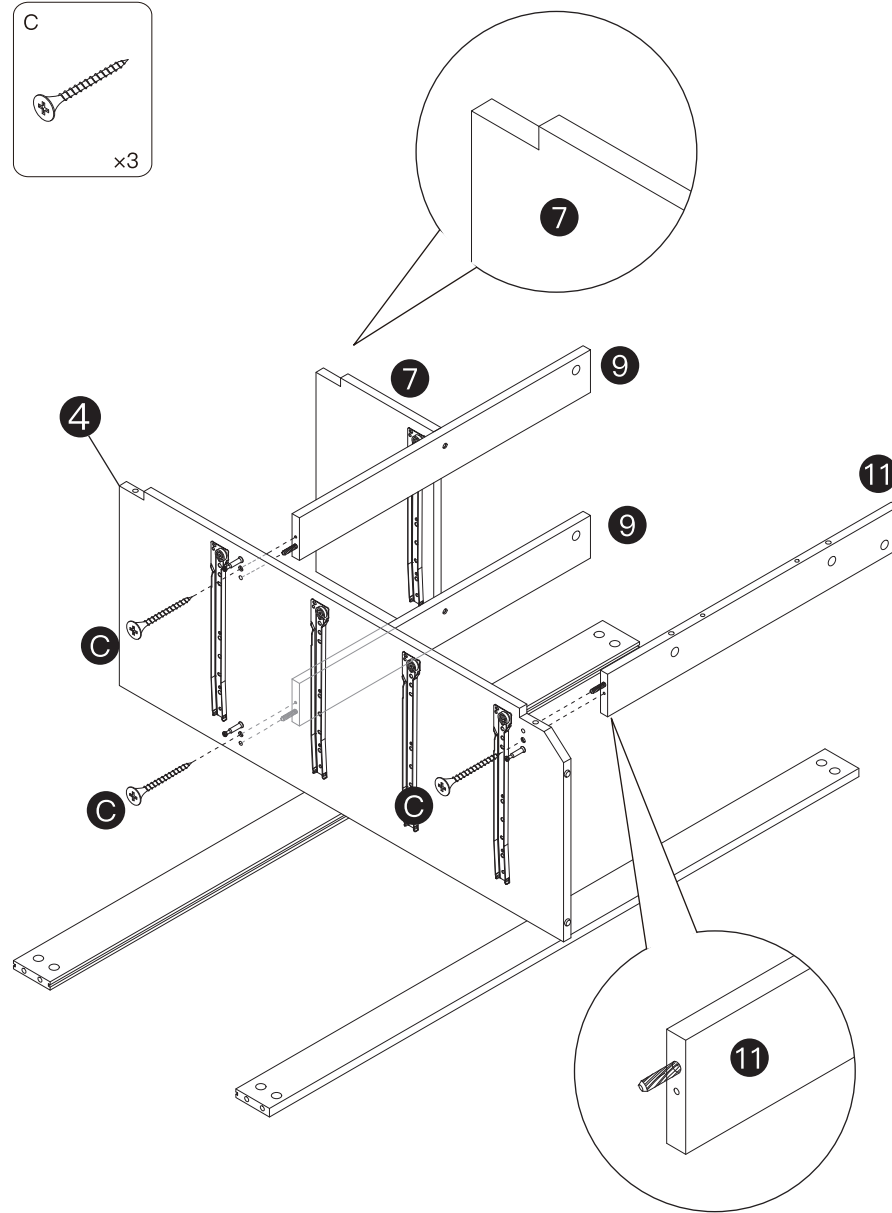
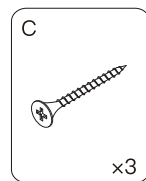
Step 7 Install part 8 & 9 on part 7, use part C & D to screw them.



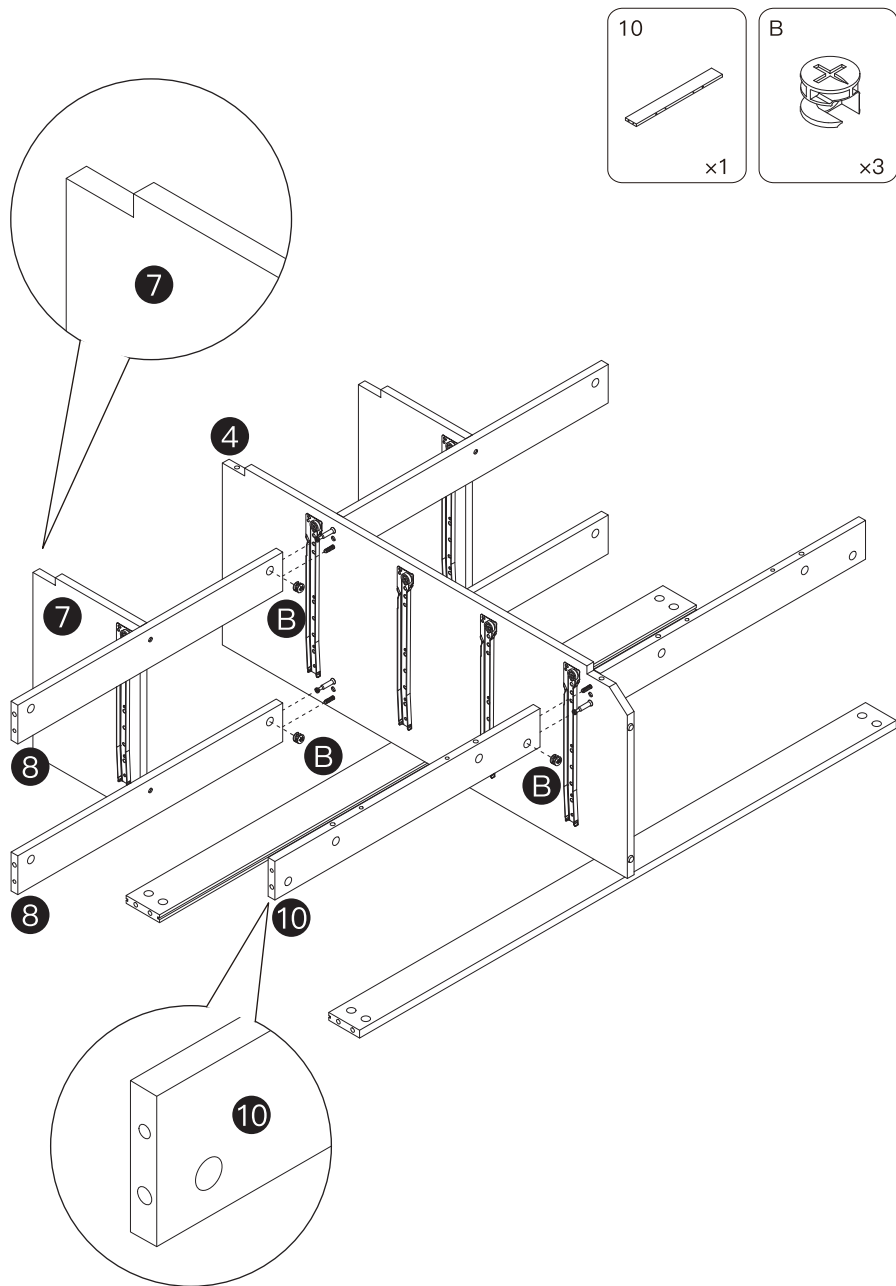
Step 8 Insert part **F** on part **9** and part **11**.



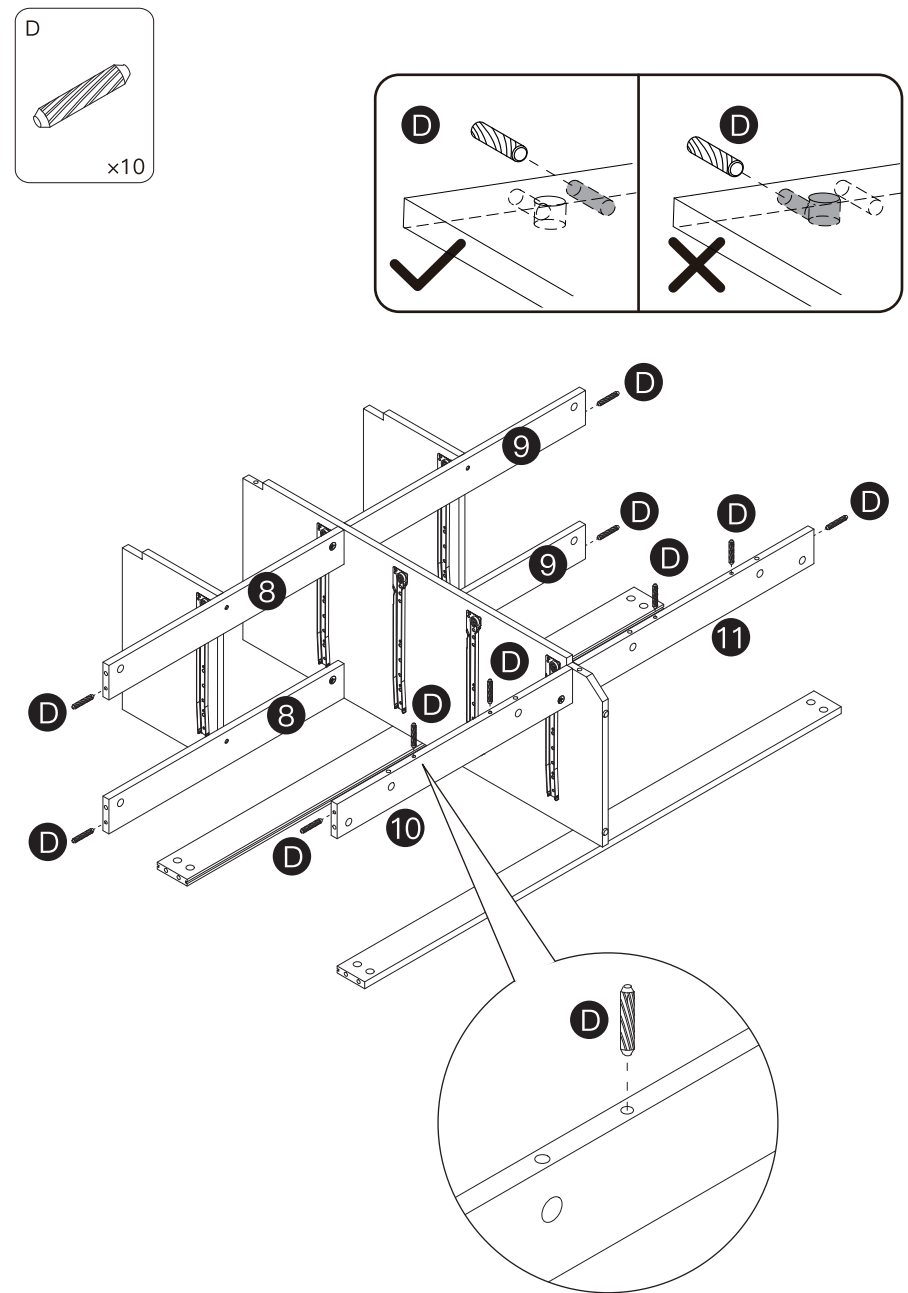
Step 9 Install part **9** & **11** on part **4**, use part **C** to screw them.



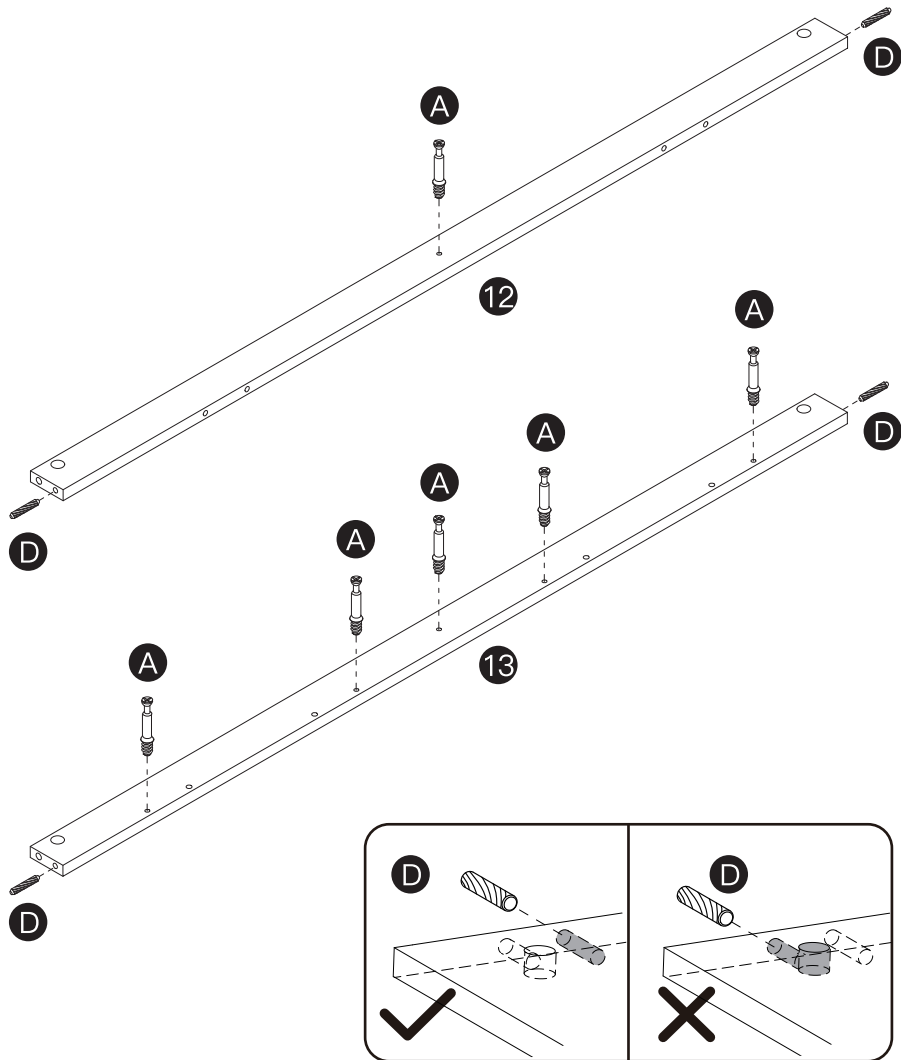
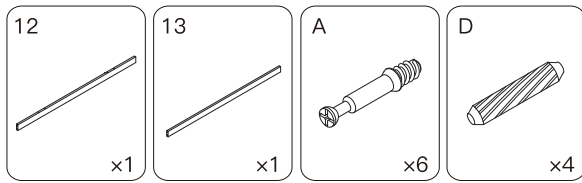
Step 10 Install part 8 & 10 on part 4, use part B to screw them.



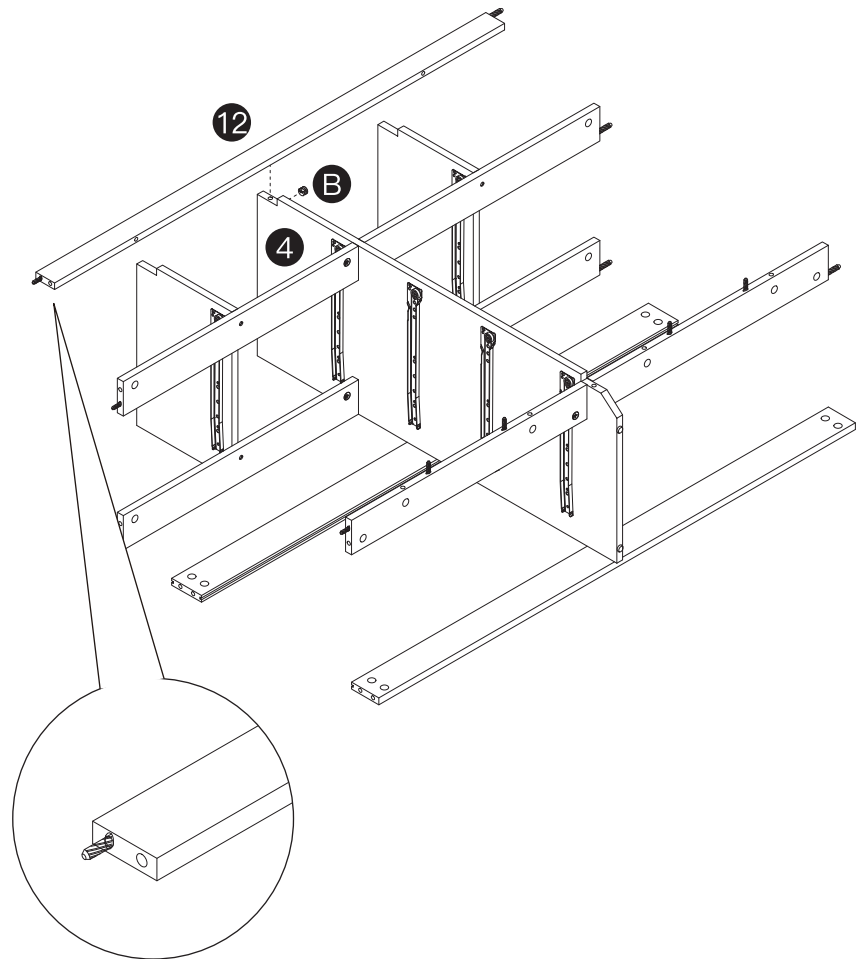
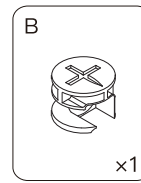
Step 11 Insert part D into part 8 & 9 & 10 & 11.



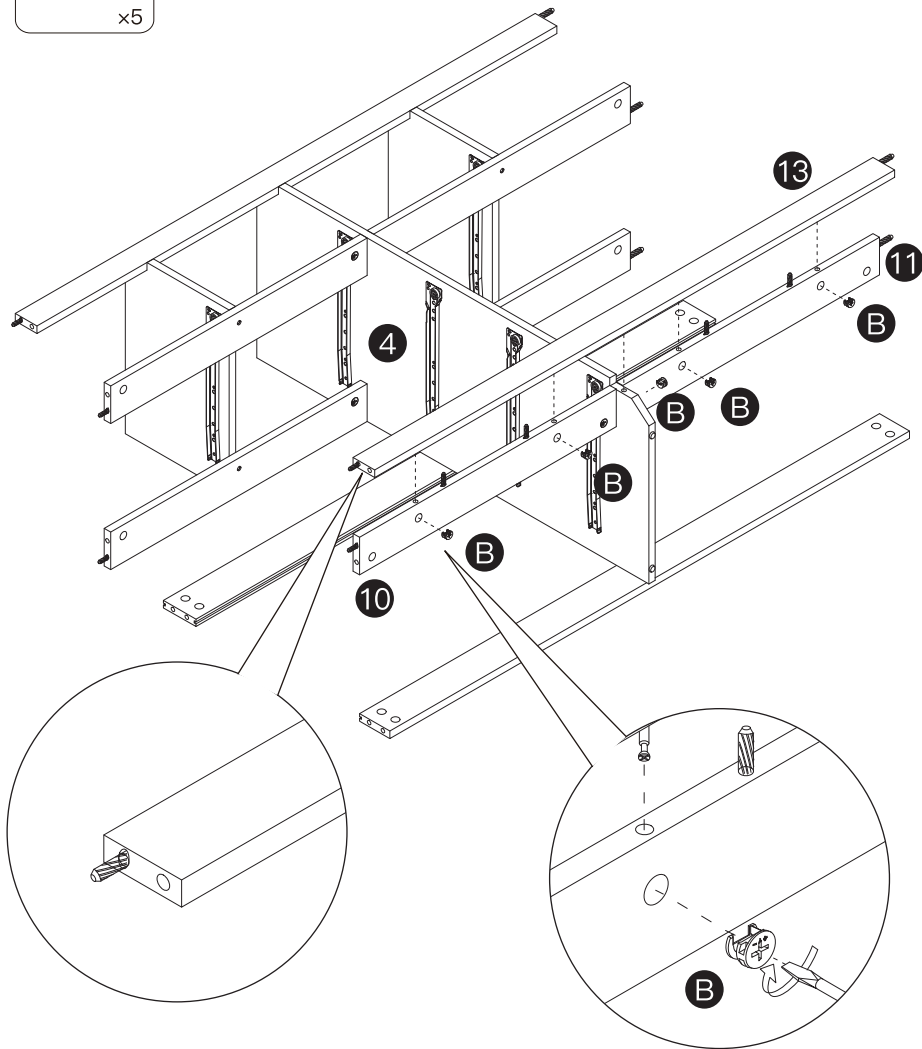
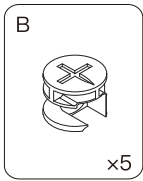
Step 12 Install part **A** and part **D** on part **12** and part **13**.



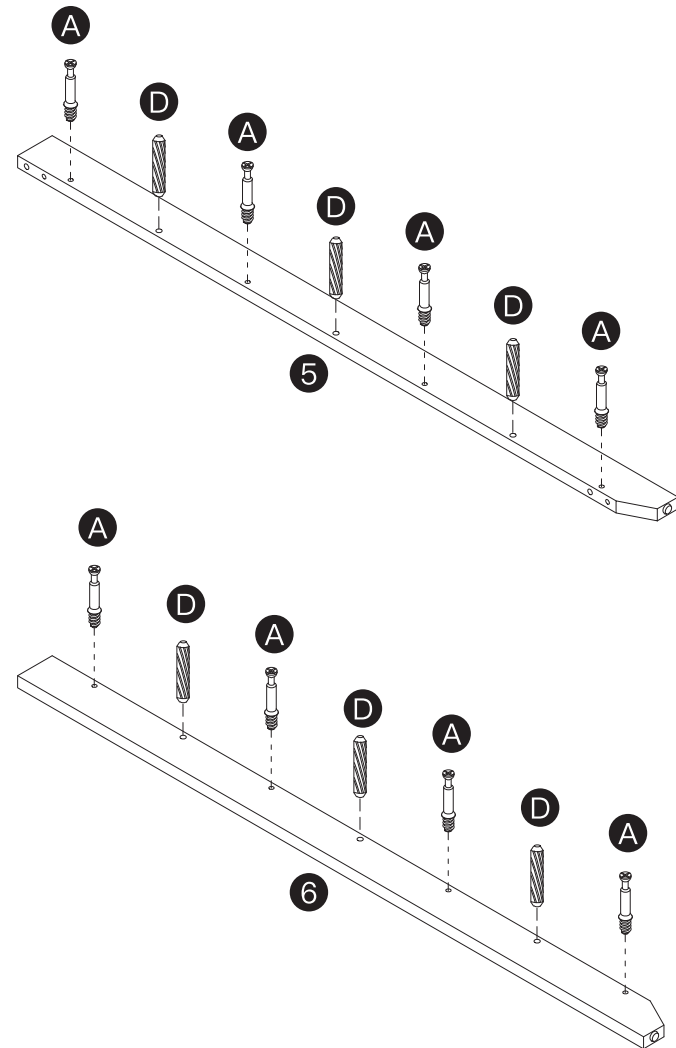
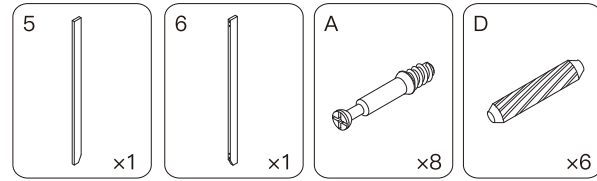
Step 13 Install part **12** on part **4**, use part **B** to lock them.



Step 14 Install part 13 on part 4 & 10 & 11, use part B to lock them.

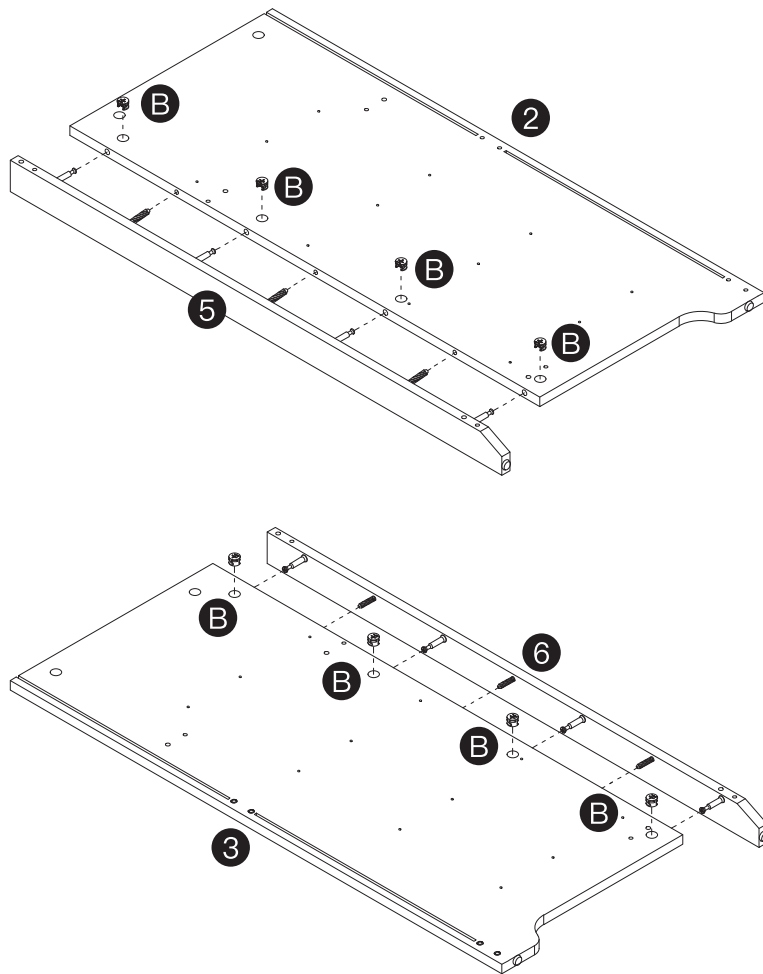
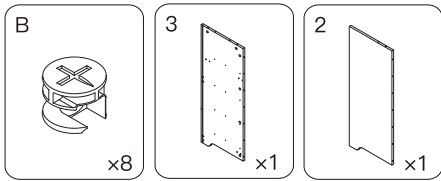


Step 15 Install part A and part D on part 5 and part 6.



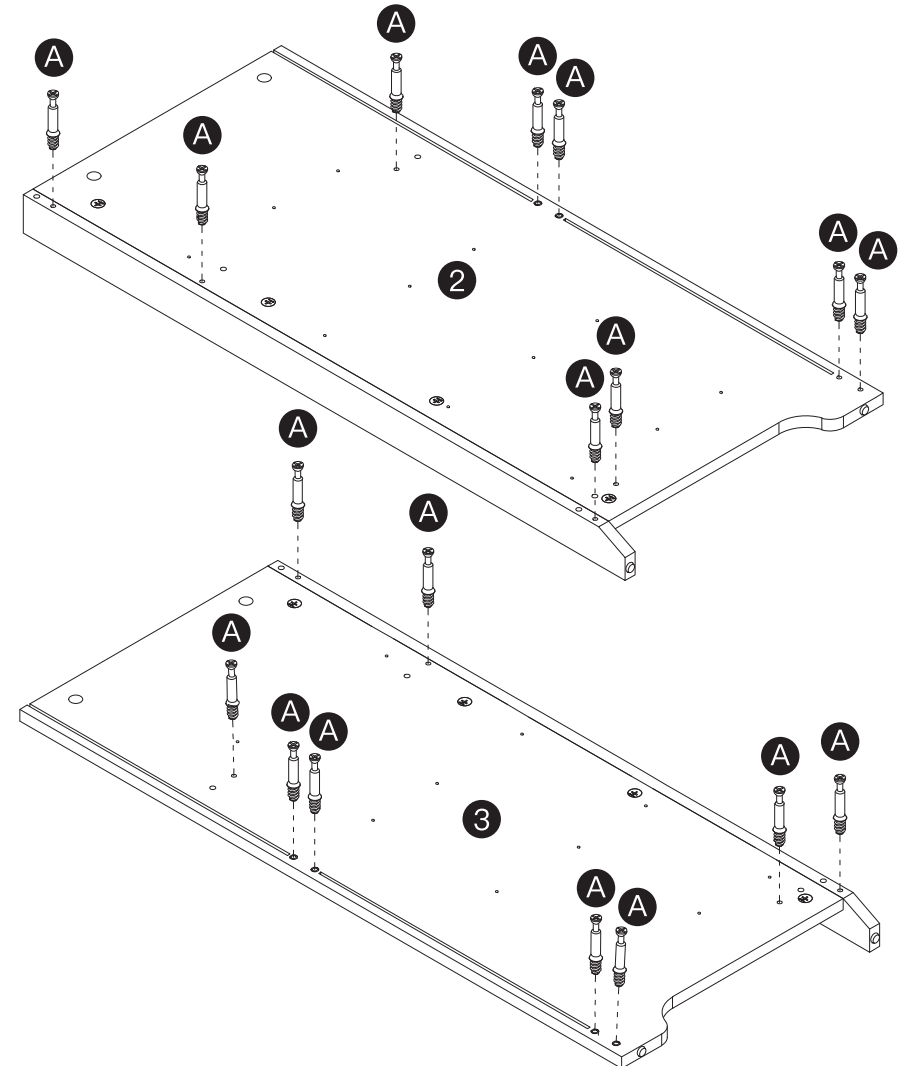
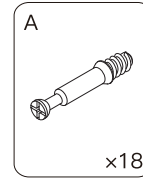
Step 16

Install part 5 on part 2, use part B to lock them.
Install part 6 on part 3, use part B to lock them.

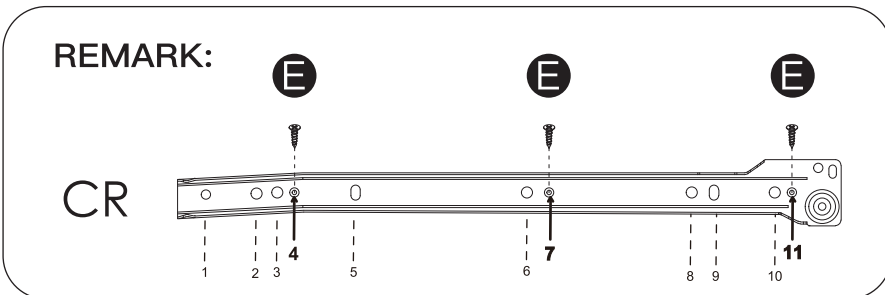
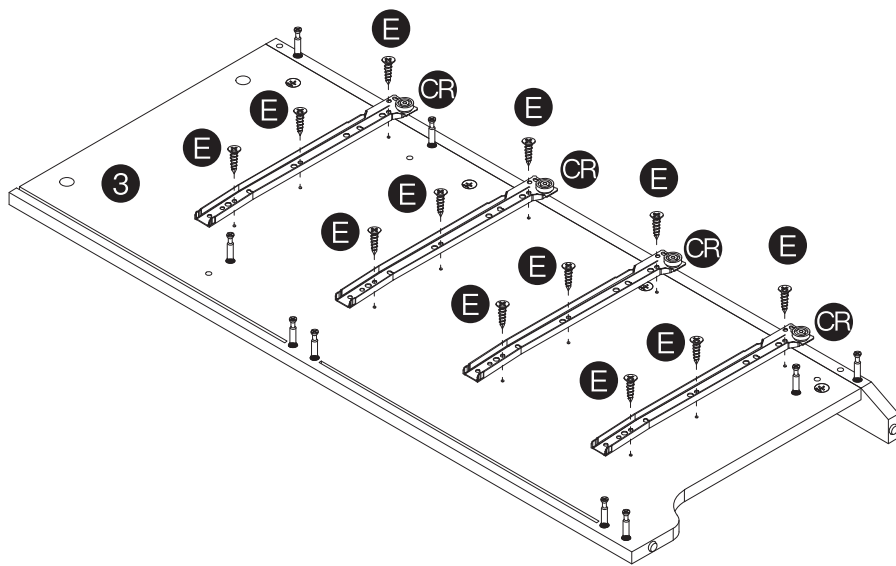
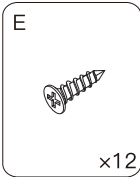
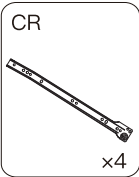


Step 17

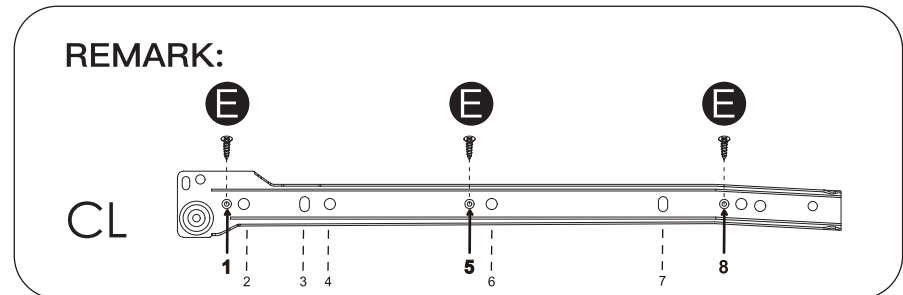
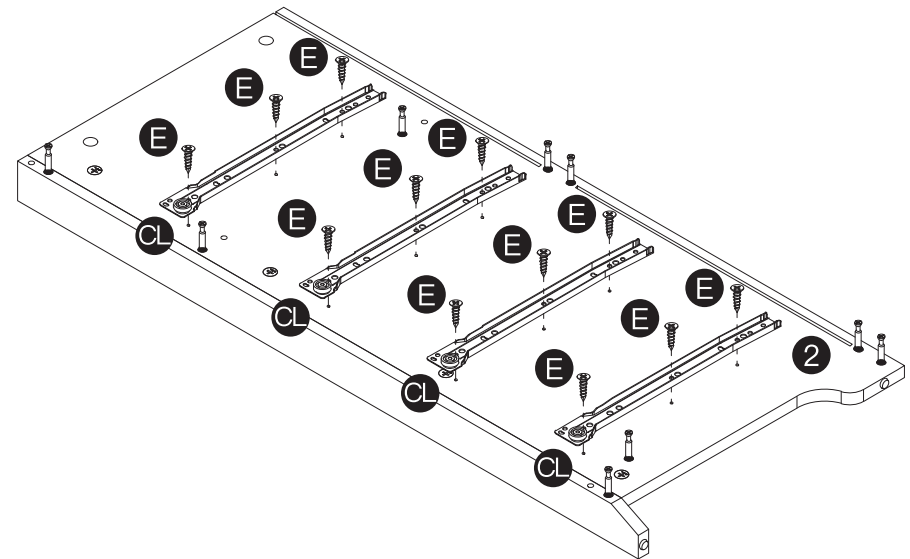
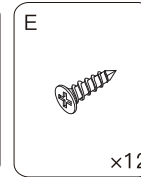
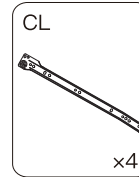
Install part A on part 2 & 3.



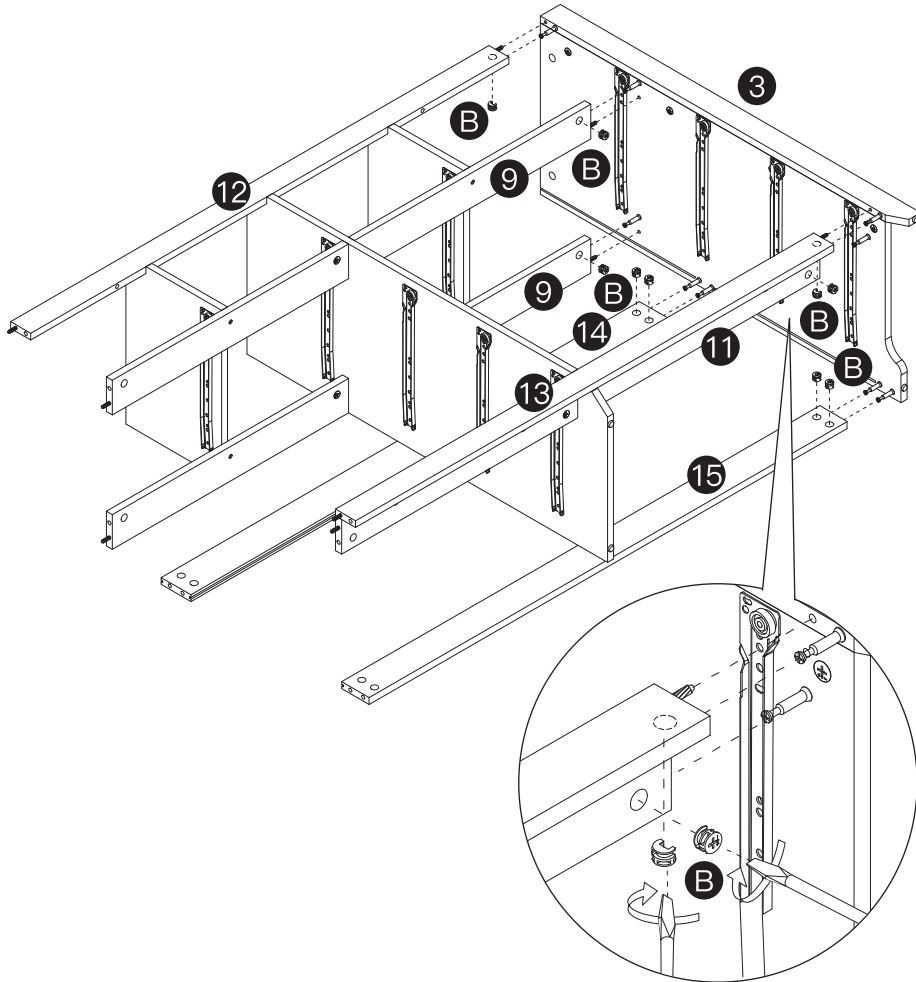
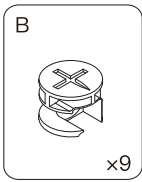
Step 18 Install part **CR** on part **3**, use part **E** to screw them.



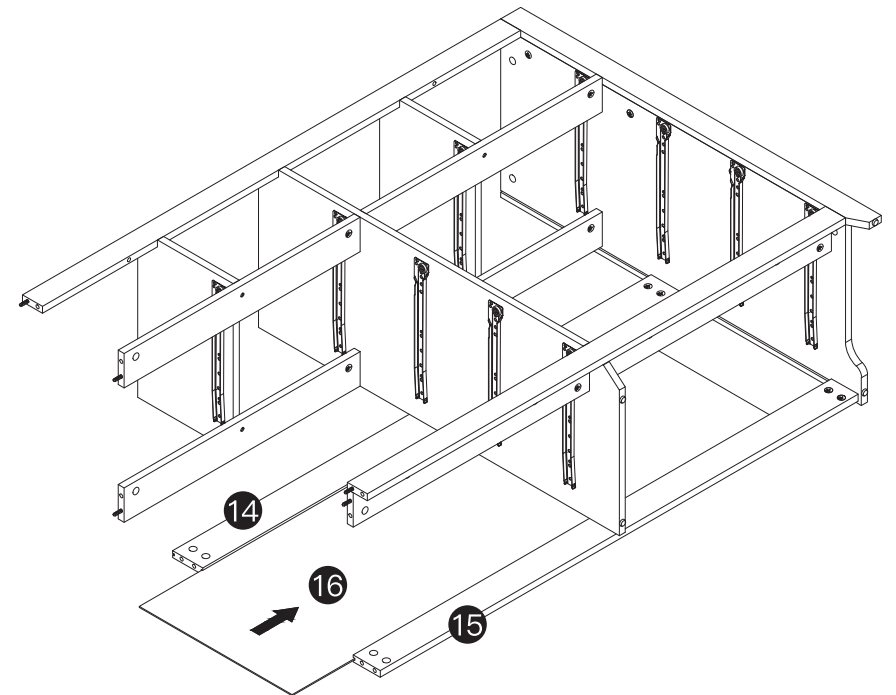
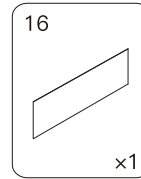
Step 19 Install part **CL** on part **2**, use part **E** to screw them.



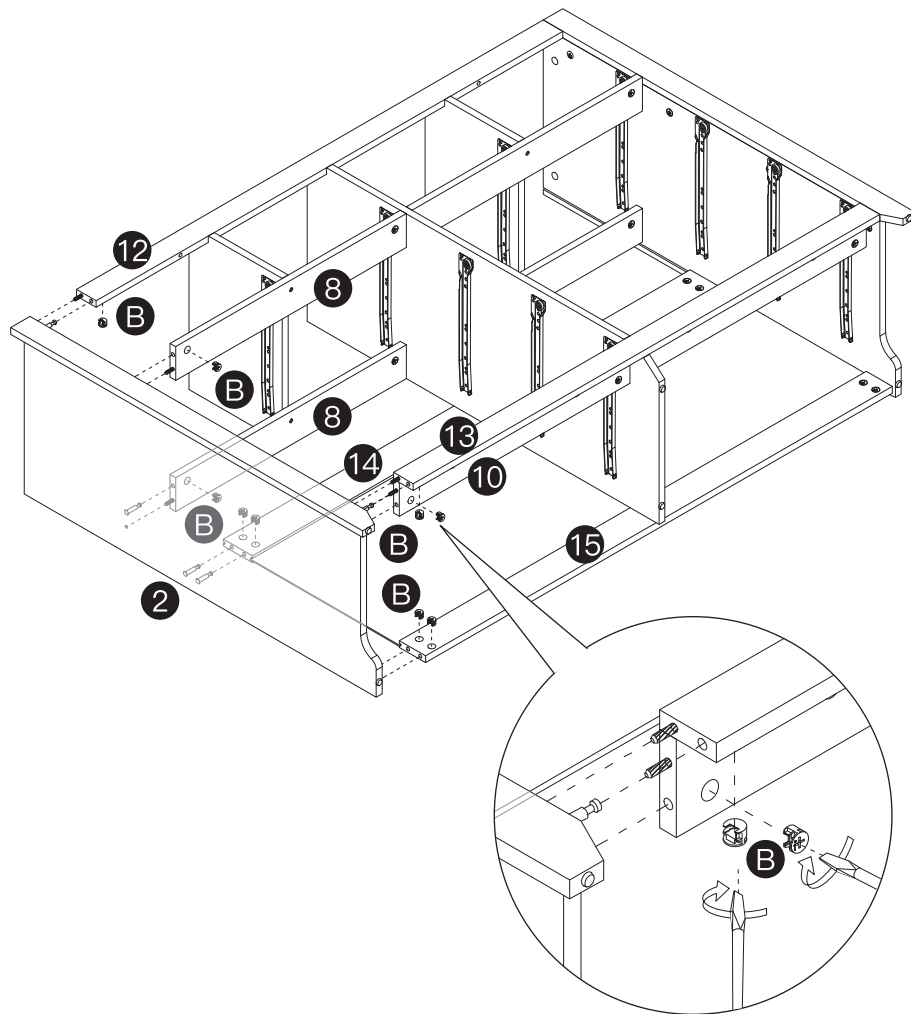
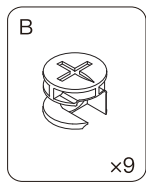
Step 20 Install part **3** on part **9** & **11** & **12** & **13** & **14** & **15** respectively, use part **B** to lock them.



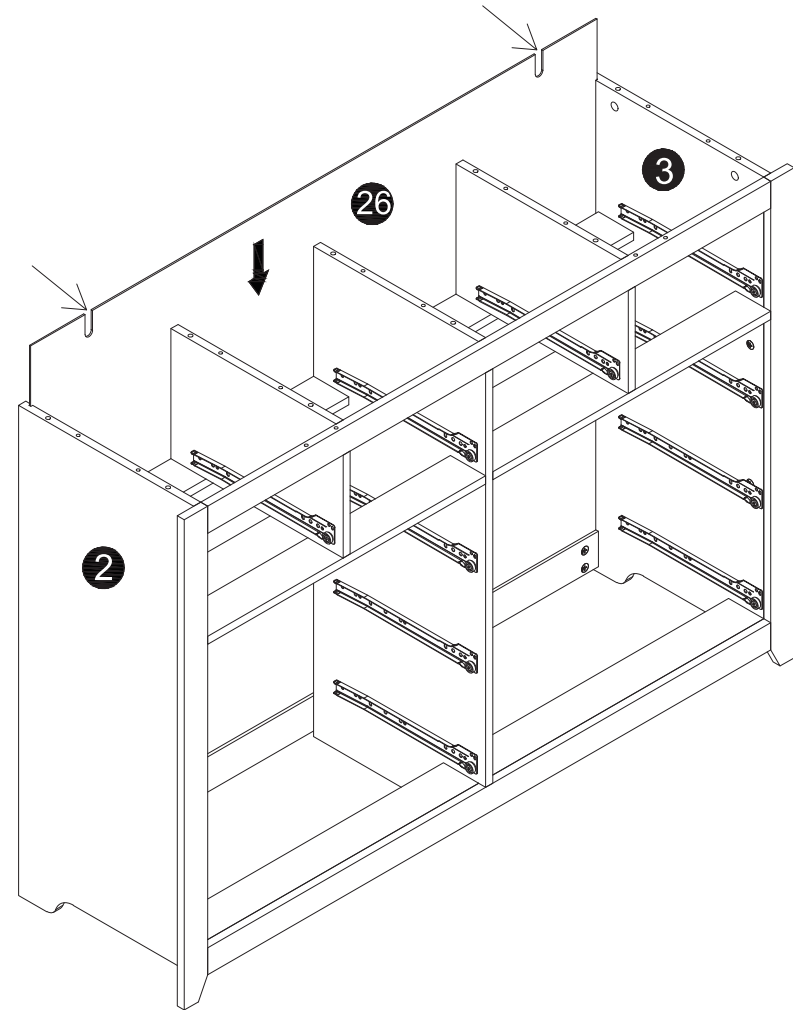
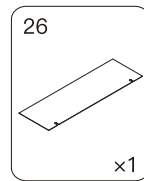
Step 21 Insert part **16** along the rabbets of part **14** & **15**.



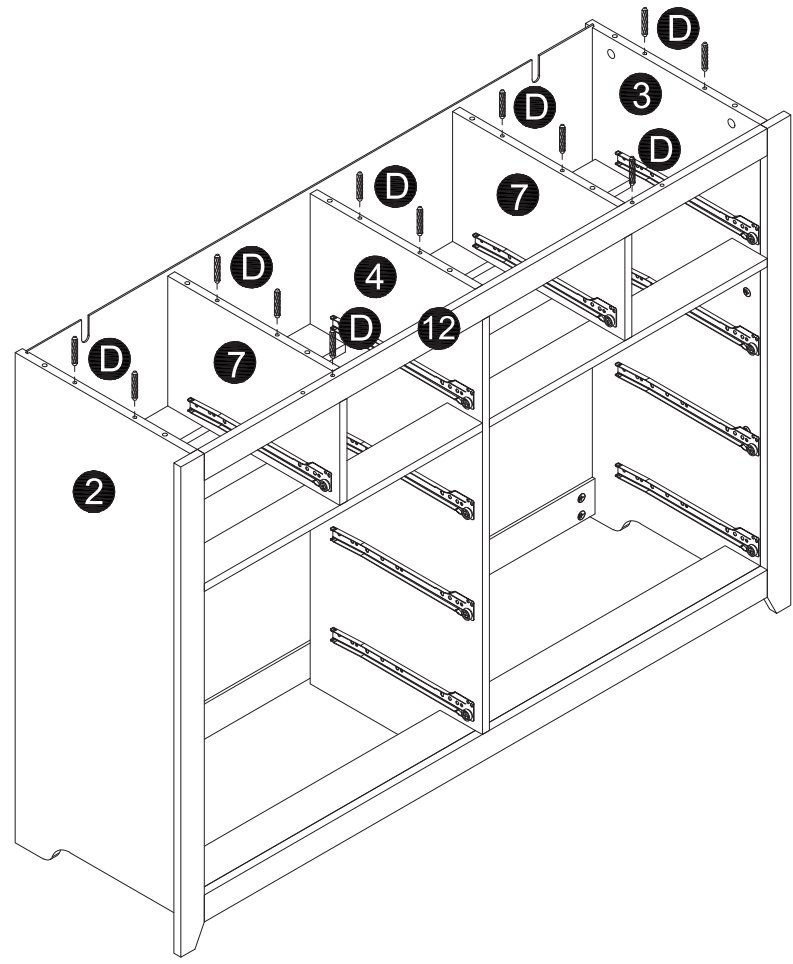
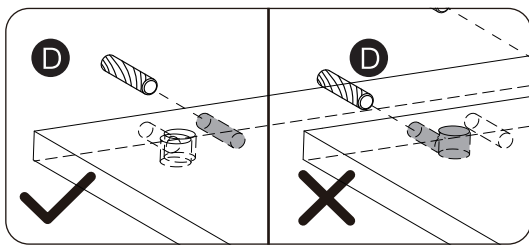
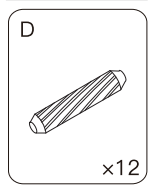
Step 22 Install part 2 on part 8 & 10 & 12 & 13 & 14 & 15 respectively, use part B to lock them.



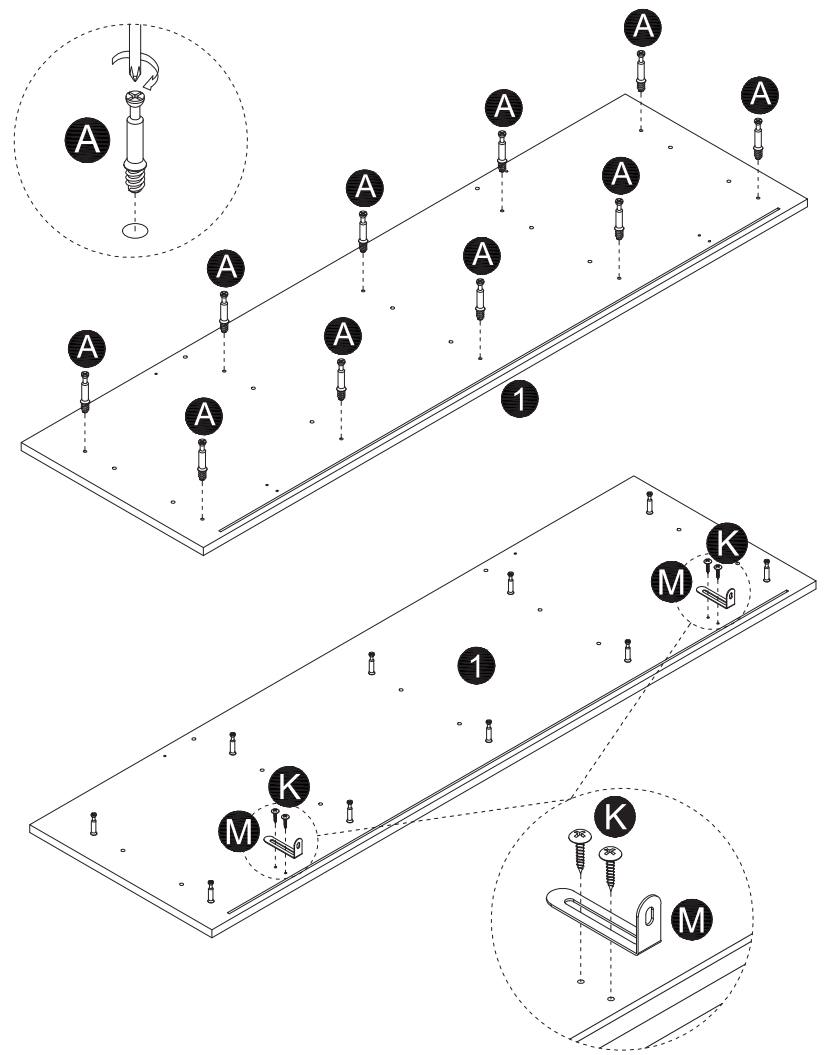
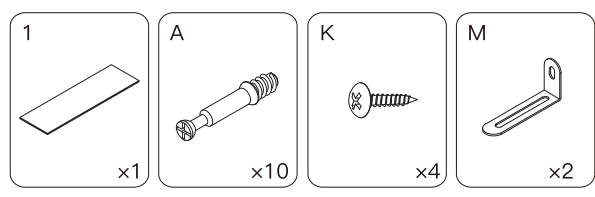
Step 23 Insert part 26 along the rabbets of part 2 & 3.



Step 24 Insert part **D** into part **2** & **3** & **4** & **7** & **12**.

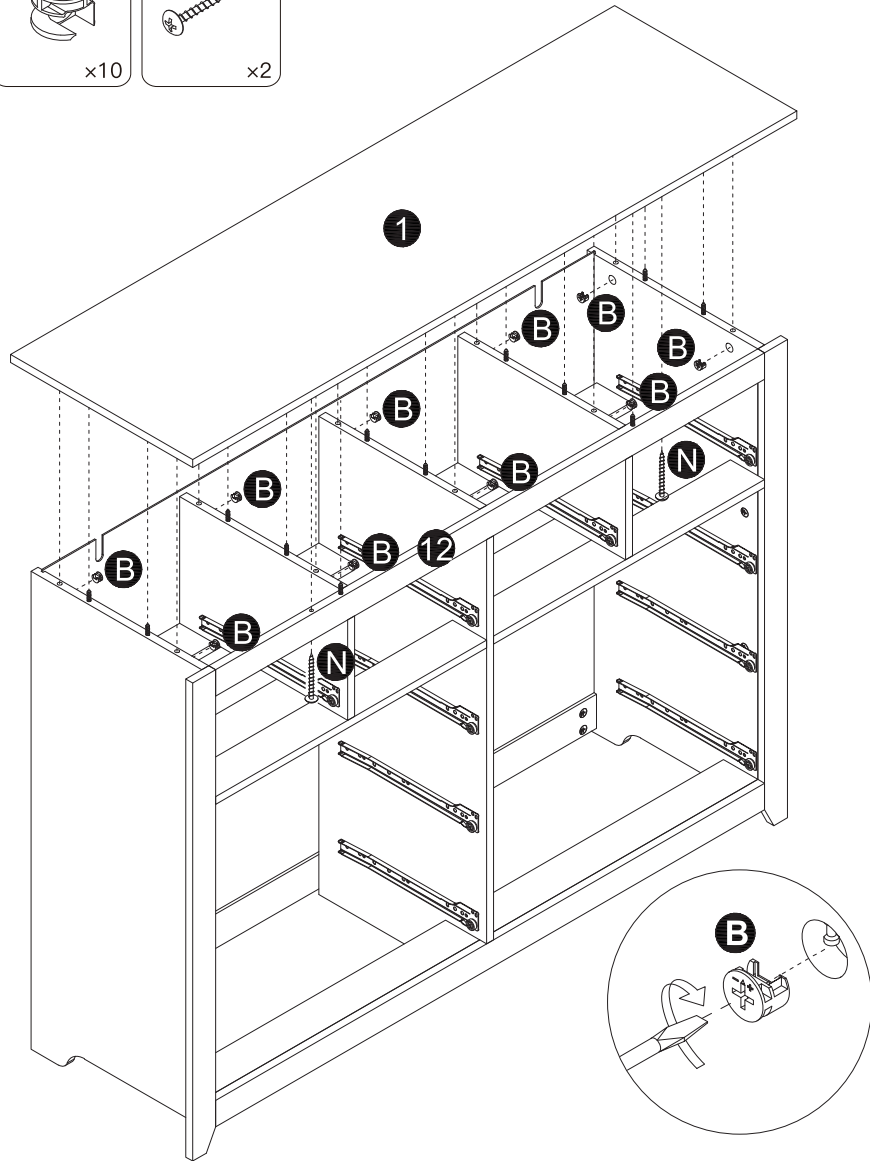
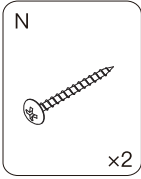
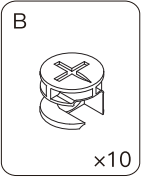


Step 25 Install part **A** and the anti-tip device (Optional, part **M**) on part **1**.



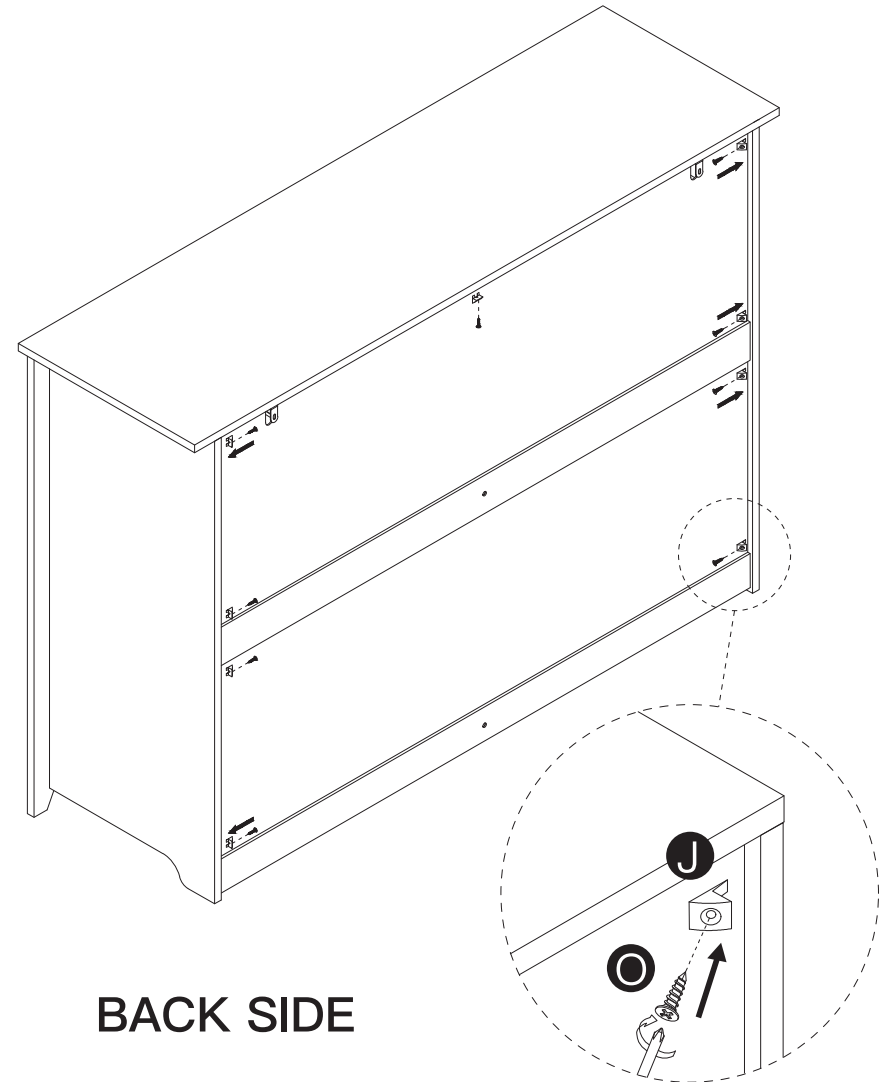
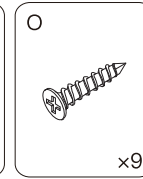
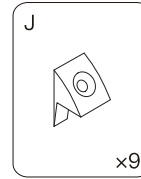
Step 26

Install part ① on the top of the frame, use part ② & ③ to lock them.



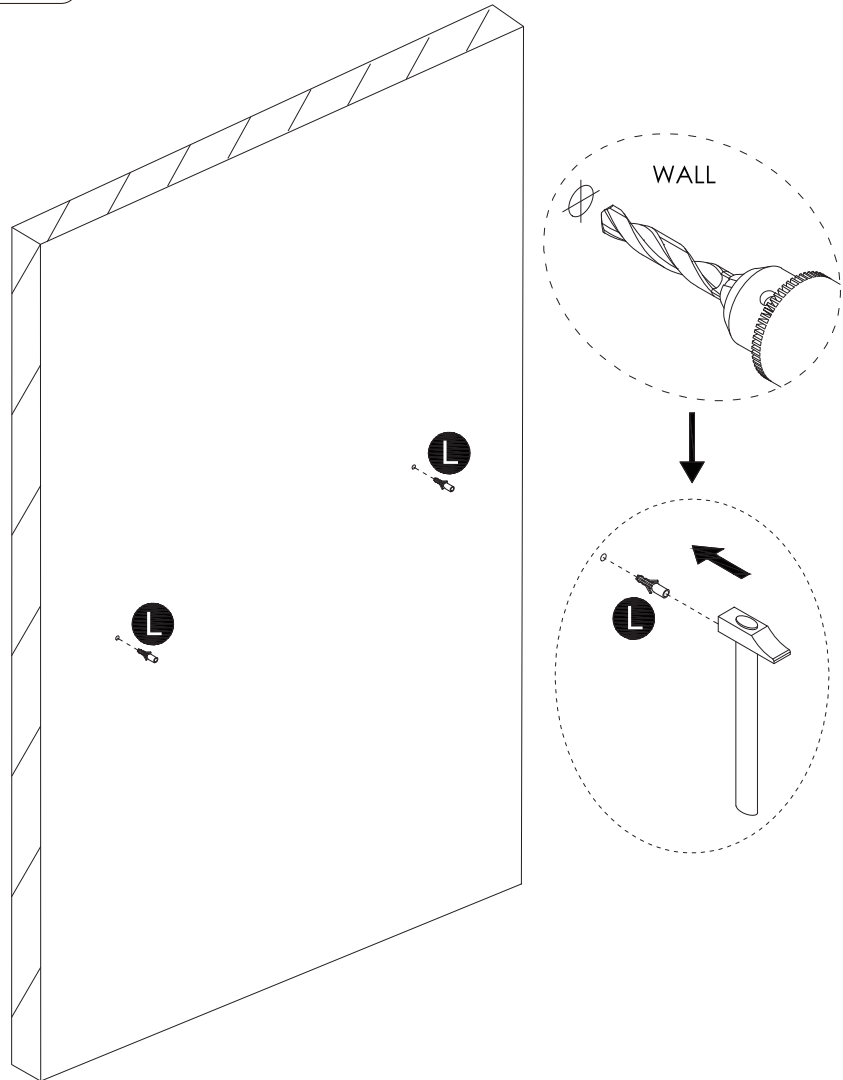
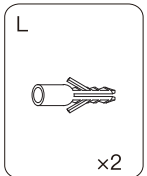
Step 27

Insert part ④ along the grooves of backboard, screw them with part ⑤ for better stability.



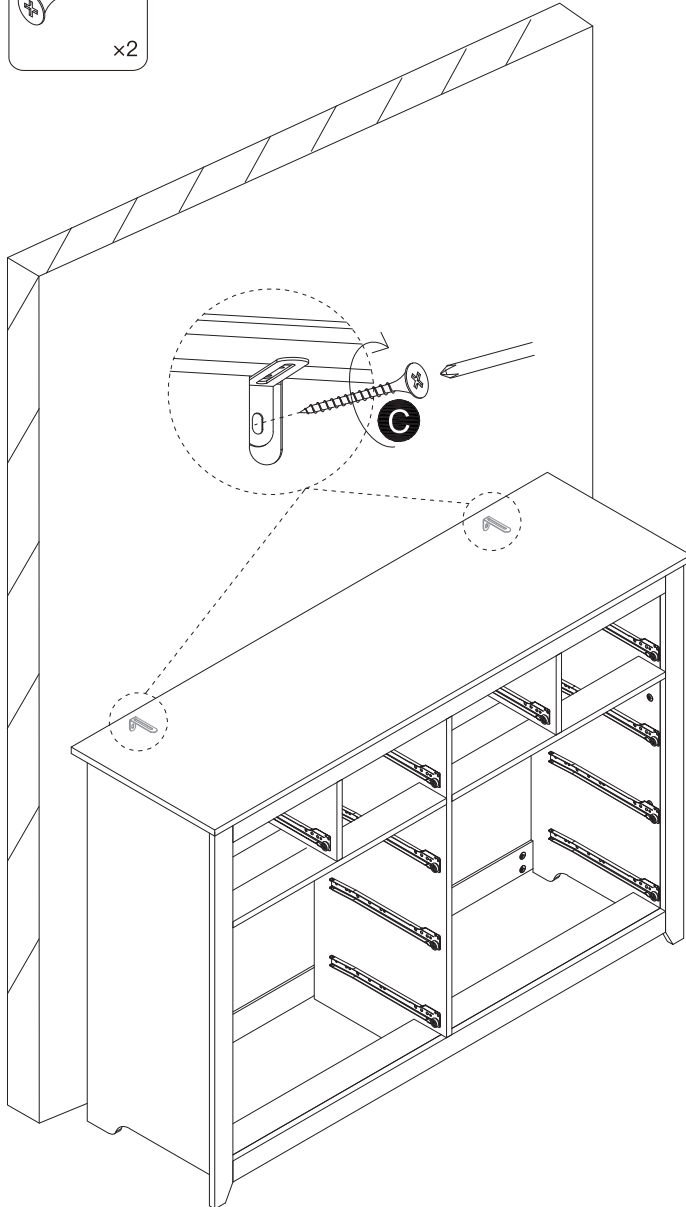
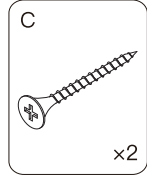
Step 28

(Optional) Drill two holes on a solid wall and insert wall anchors (part **L**) inside the holes.



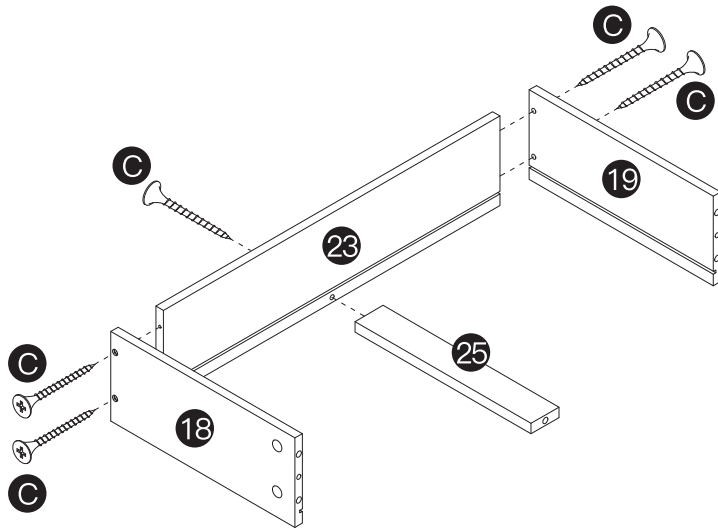
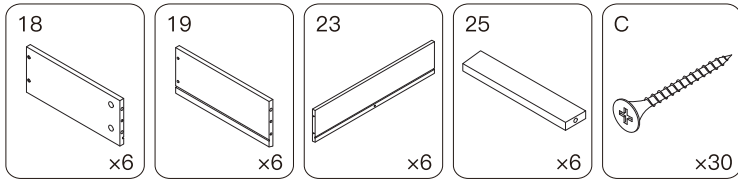
Step 29

(Optional) Lock the drawer frame with part **C** .



Step 30

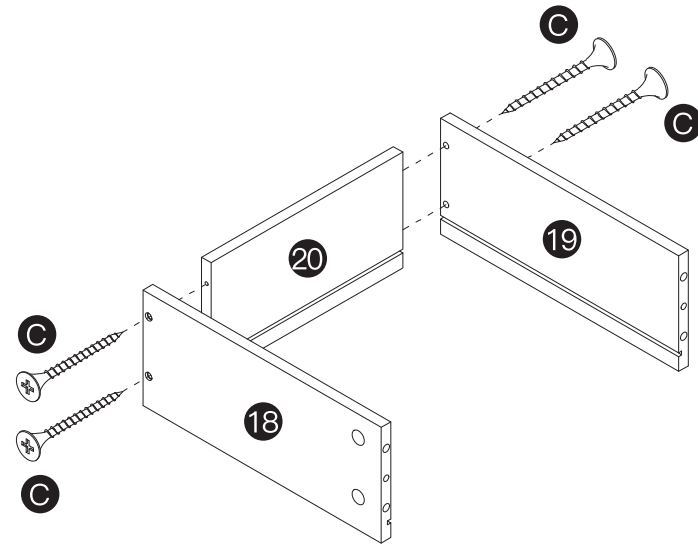
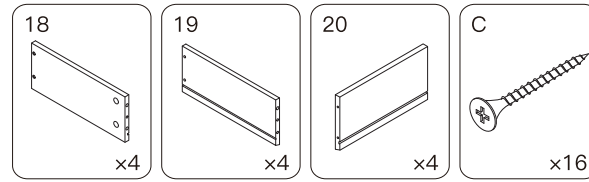
Install part 18 & 19 & 25 on part 23, use part C to screw them.



x6

Step 31

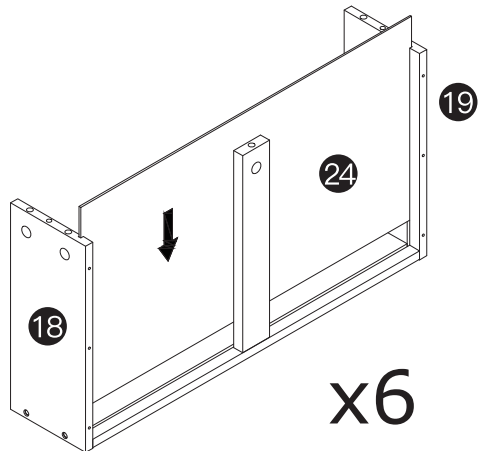
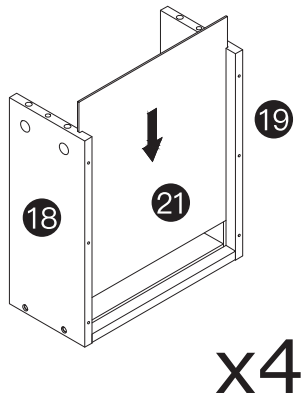
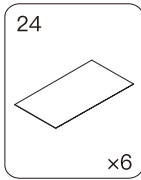
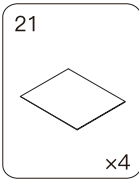
Install part 18 & 19 on part 20, use part C to screw them.



x4

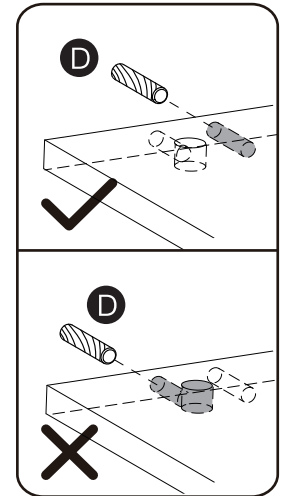
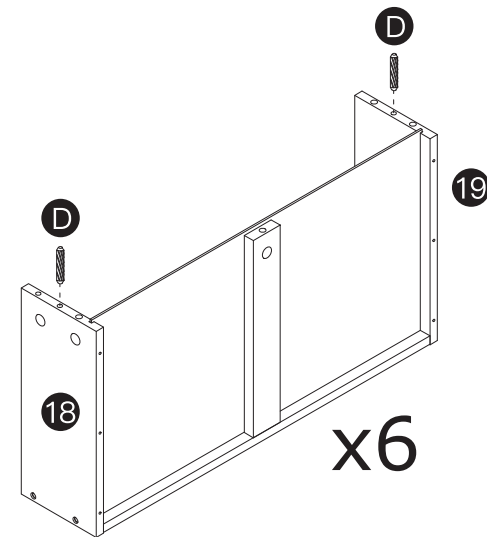
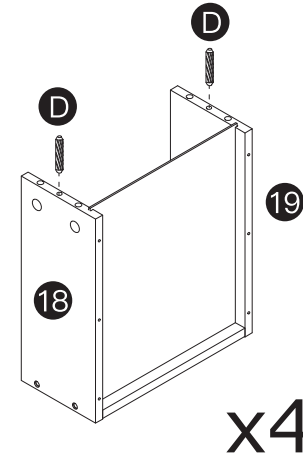
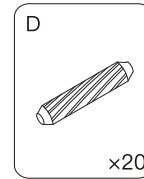
Step 32

Insert part 21 and part 24 along the rabbets of part 18 & 19 respectively.

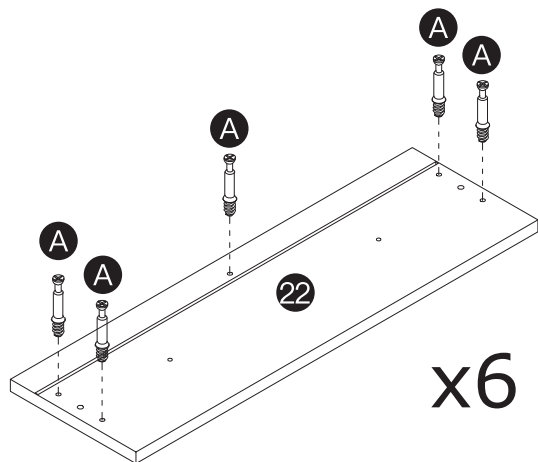
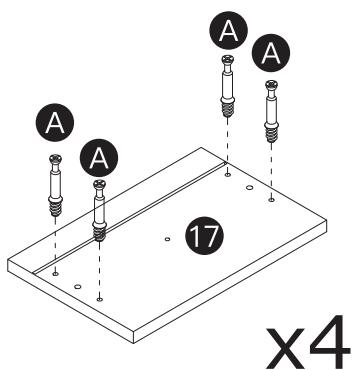
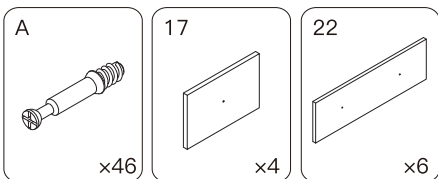


Step 33

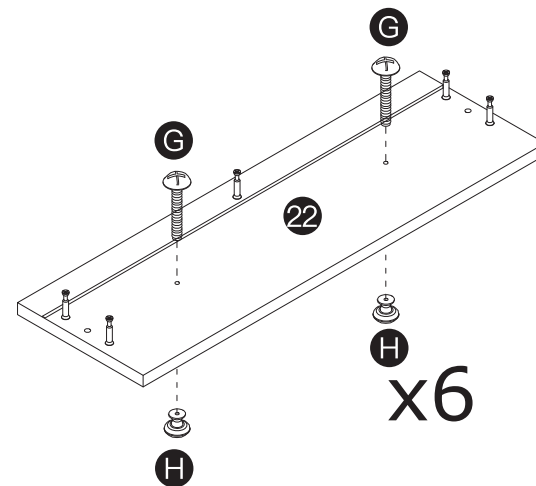
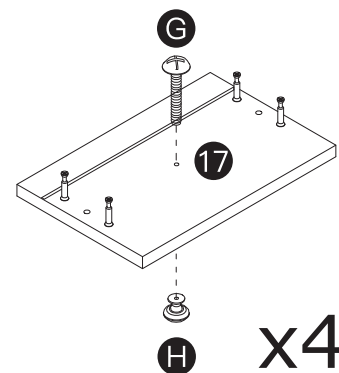
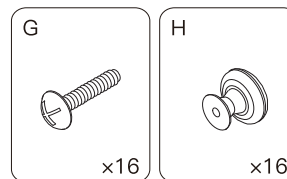
Insert part D into part 18 & 19.



Step 34 Install part **A** on part **17** & **22**.



Step 35 Install part **G** on part **17** & **22**, use part **H** to screw them.



Step 38 Align and put all drawers in.

