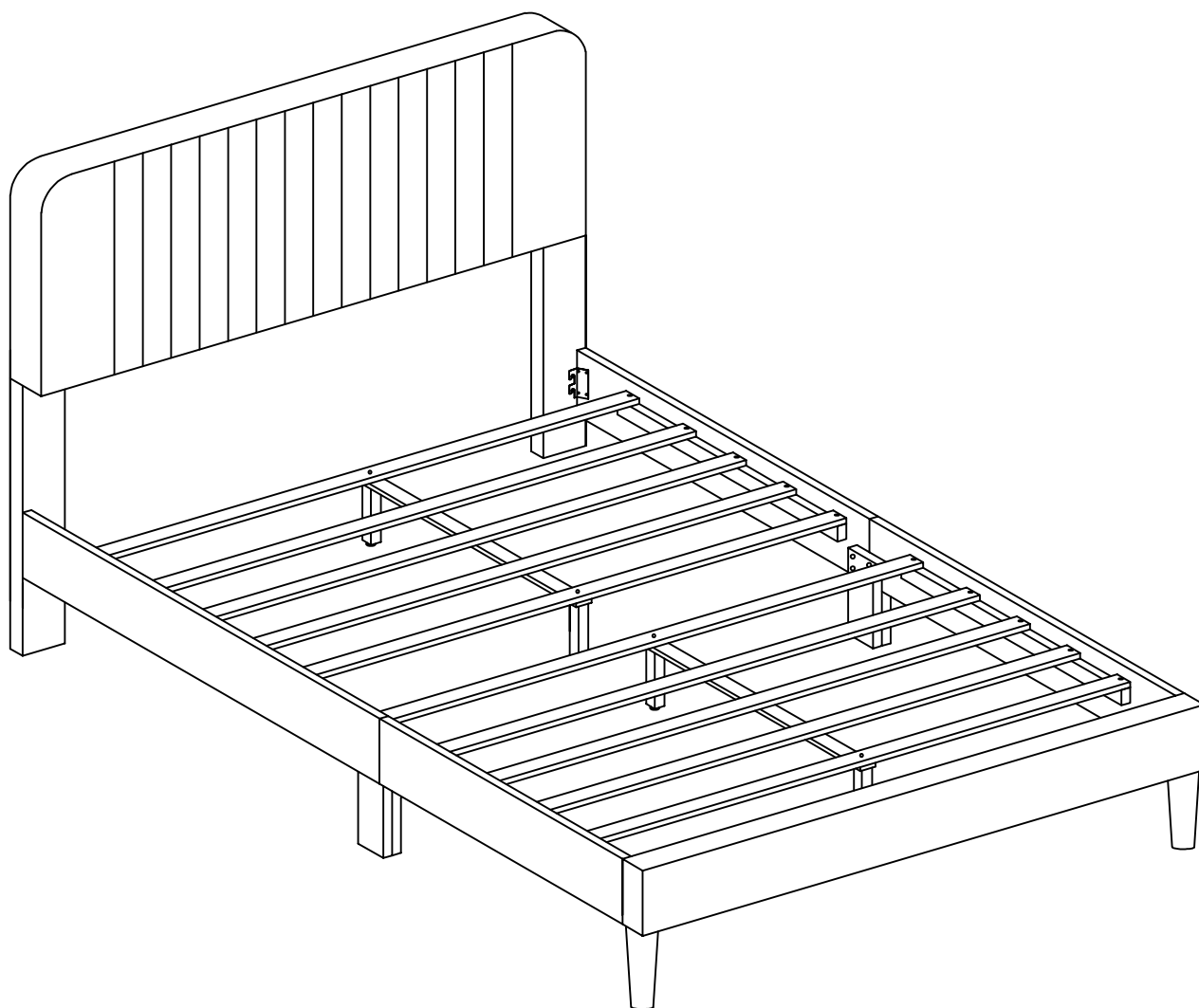
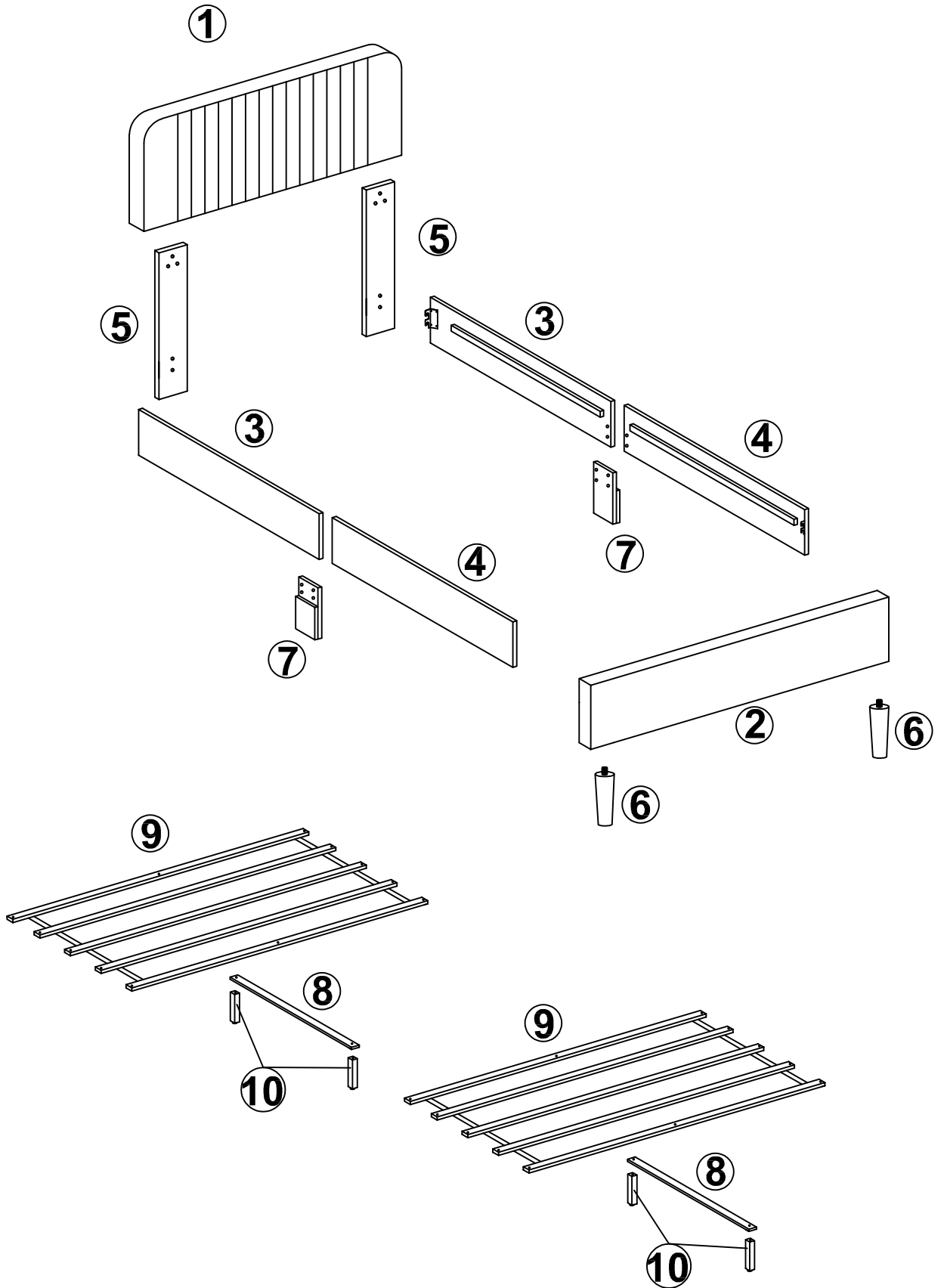


ASSEMBLY INSTRUCTIONS

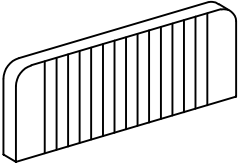
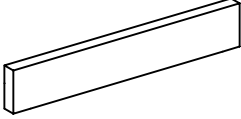
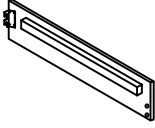
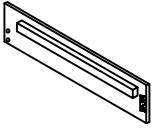
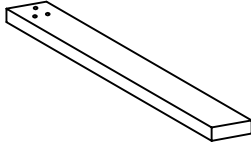
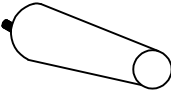
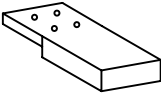
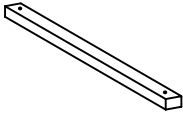
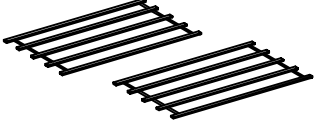



WF294741/WF294742


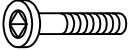


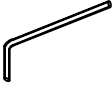
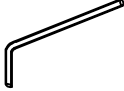



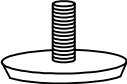
Detail View



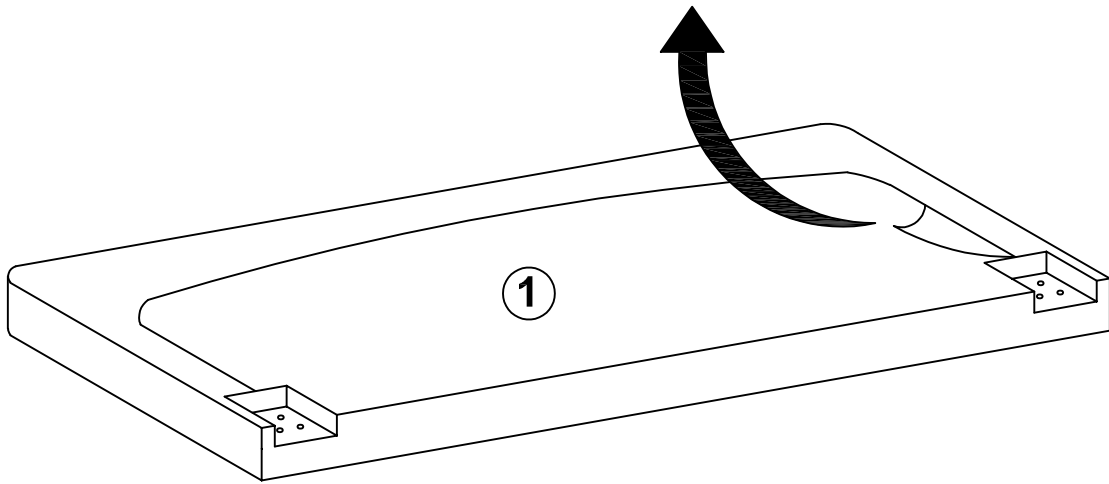
Part List & Hardware List (WF294741/WF294742)

1		2		3	
Headboard - 1pc		Footboard - 1pc		Side Rail (L/R) - 2pcs	
4		5		6	
Side Rail (L/R) - 2pcs		Headboard Leg - 2pcs		Footboard Leg - 2pcs	
7		8		9	
Side Rail Support Leg - 2pcs		Center Rail - 2pcs		Slat 5 roll - 2pcs	
10					
Support Leg - 4pcs					

Hardware List (WF294741/WF294742)

A  Ø1/4"*20mm	B  Ø1/8"*30mm	C  Ø1/8"*50mm
Hex-Head bolt (8pcs)	Hex-Head bolt (8pcs)	Hex-Head bolt (6pcs)
D  Ø1/8"*60mm	E  65mm	F  70mm
Hex-Head bolt (4pcs)	Allen key (1pc)	Allen key (1pc)
G  #4*32mm	H  M6	I  M6
Screw (20pcs)	Spring Washer (6pcs)	Flat Washer (8pcs)
J  Adjuster (4pcs)		

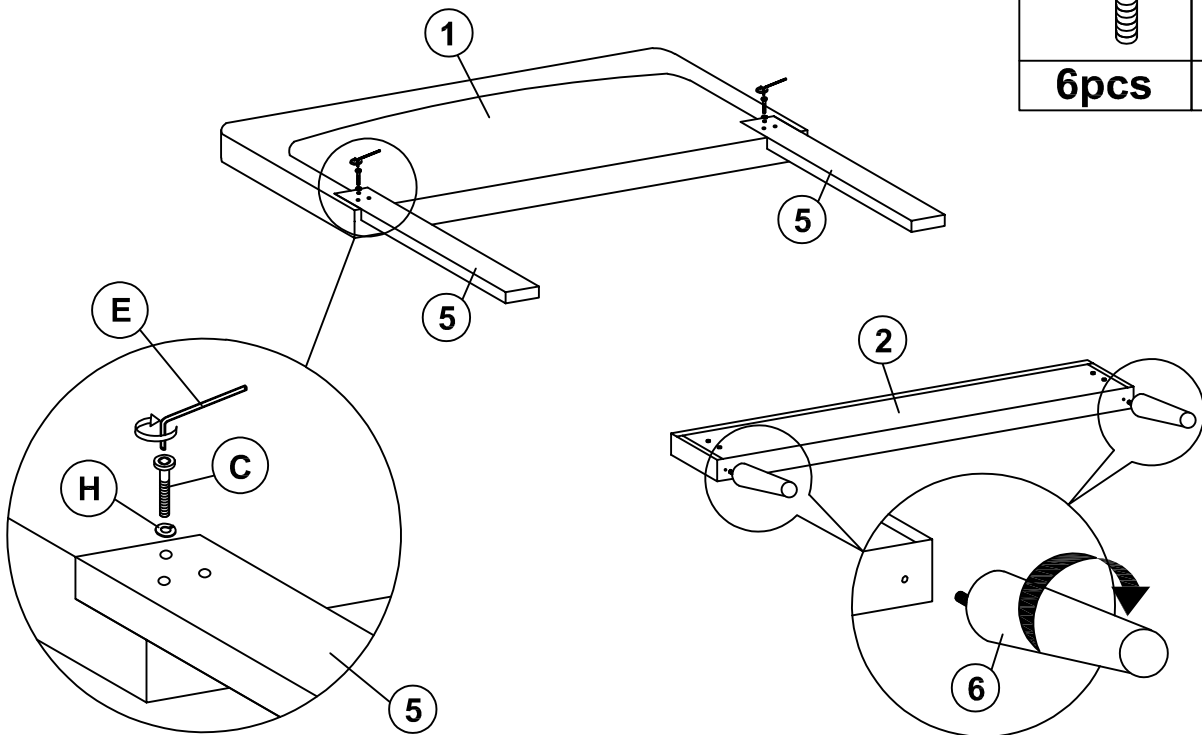
Step 1:

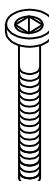



Back view

Attention: Zip the black non-woven fabric after take out the parts !!

Step 2:



C		H	
6pcs		6pcs	

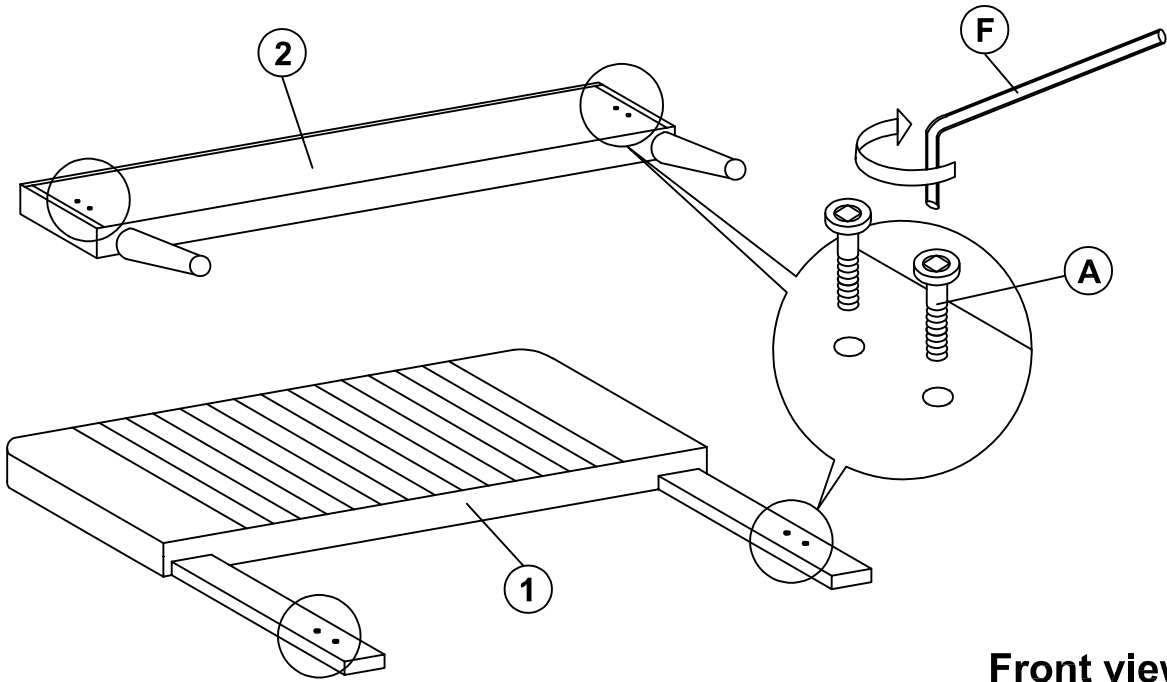
Back view

Step 3:

A



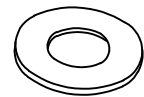
8pcs



Front view

Step 4:

I

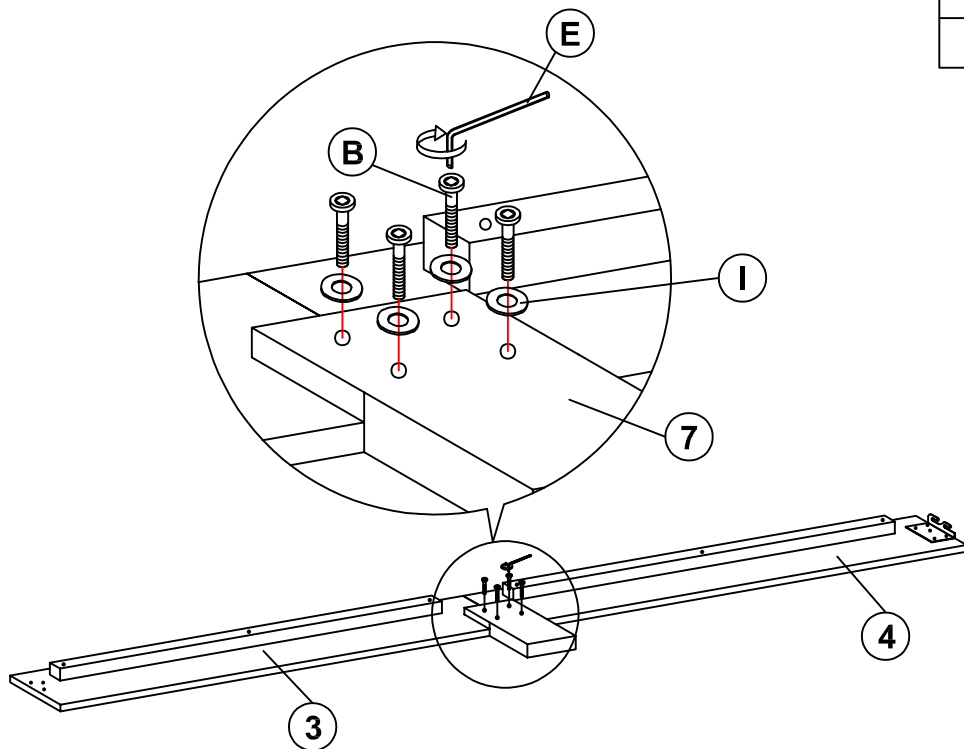


8pcs

B

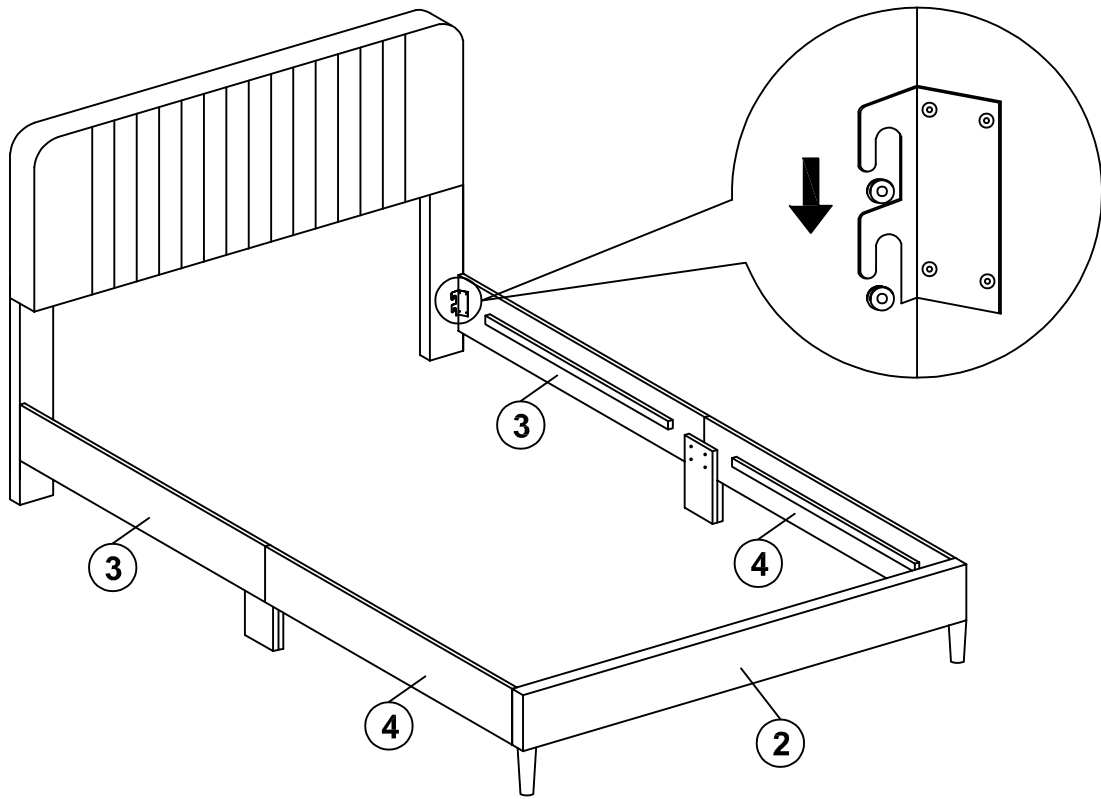


8pcs



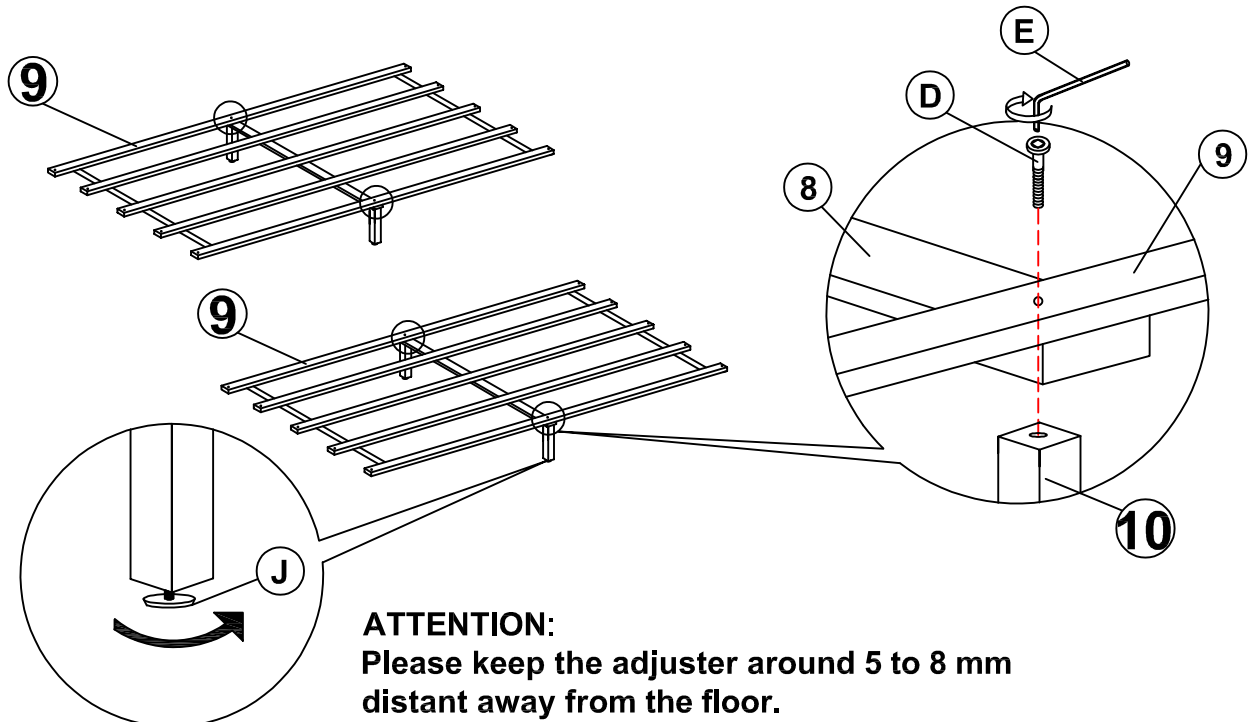
x2

Step 5:



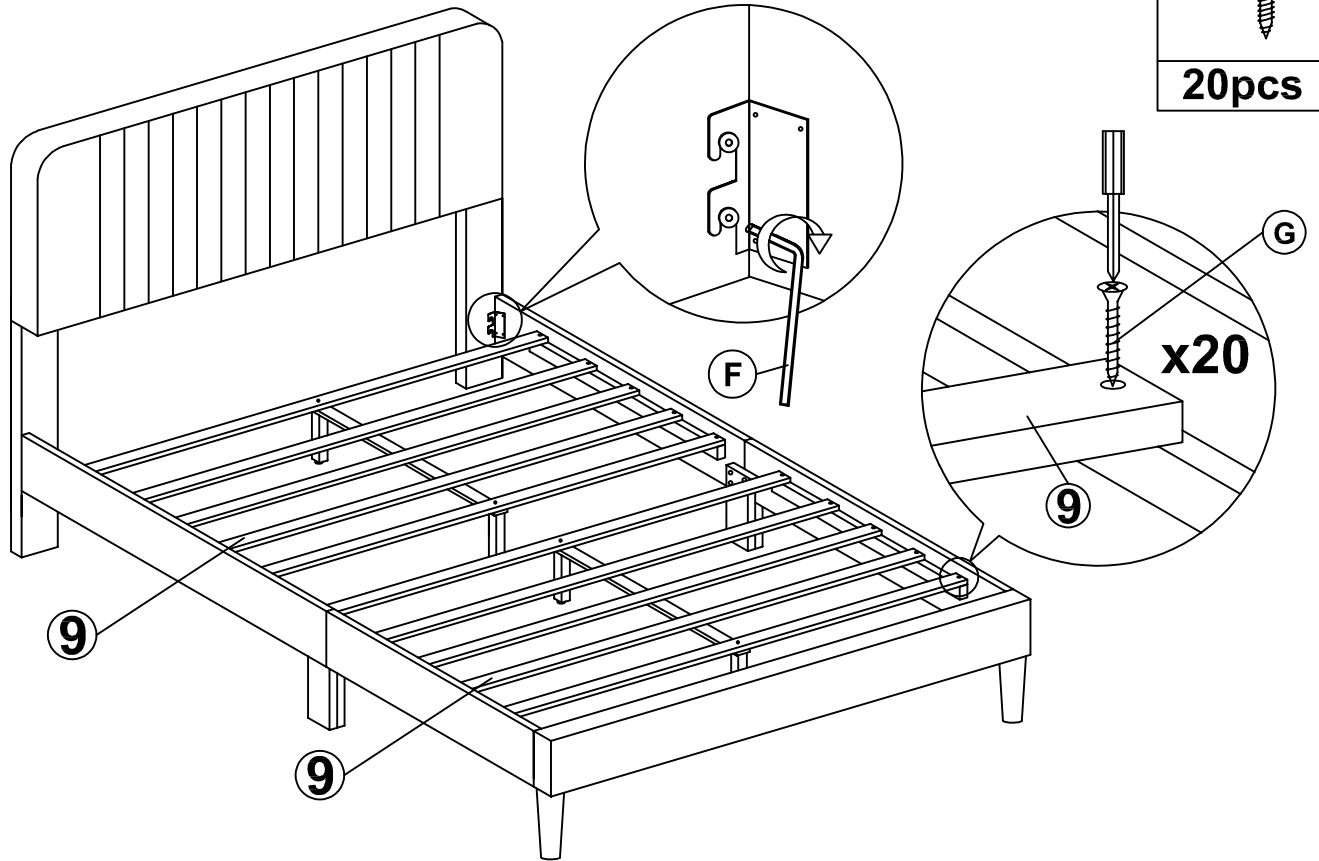
Step 6:

J	D
4pcs	4pcs



ATTENTION:
Please keep the adjuster around 5 to 8 mm
distant away from the floor.

Step 7:



Step 8:

