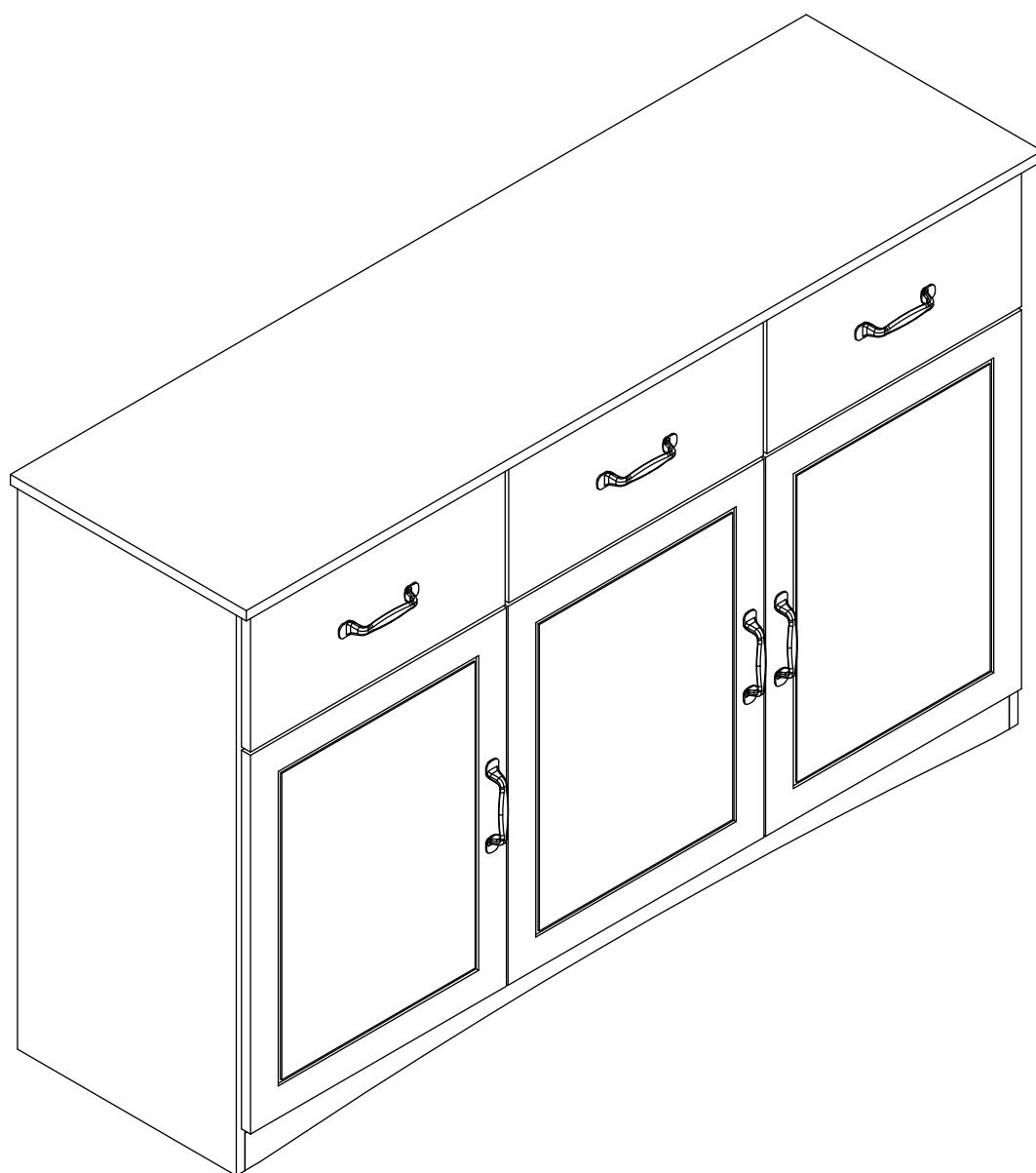
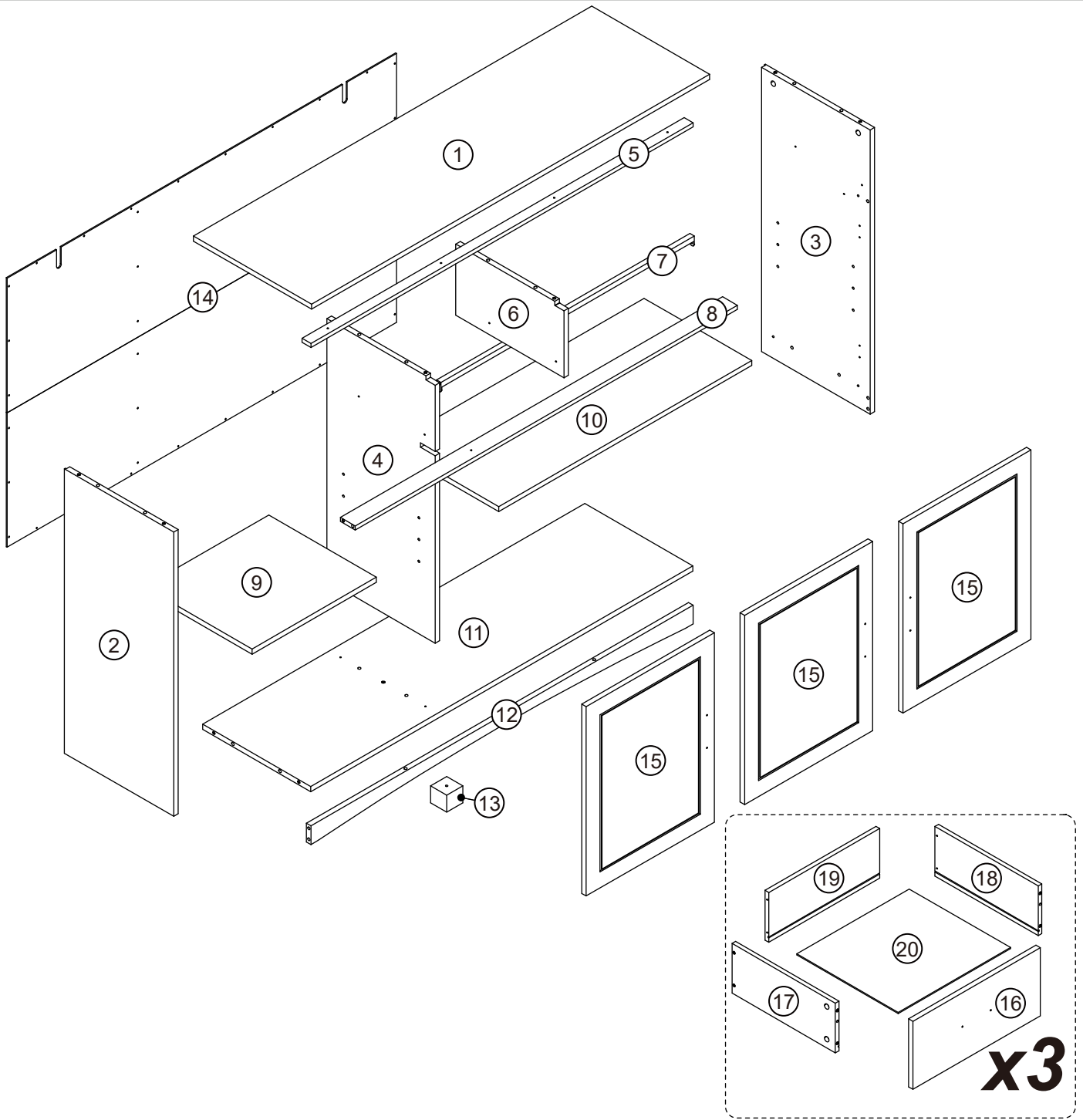


# ASSEMBLY INSTRUCTIONS

<<Before assembling, read all instructions>>



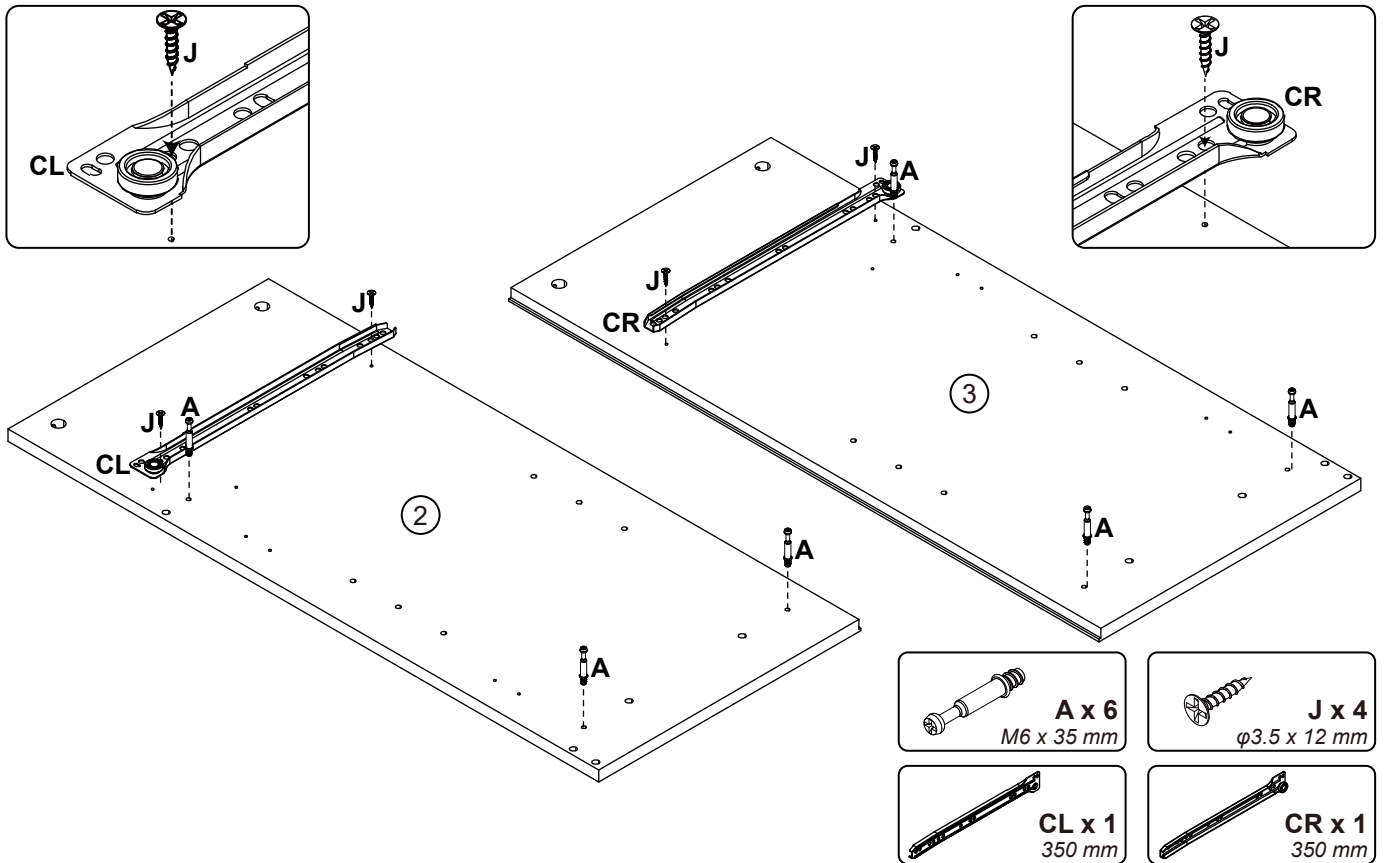
# Exploded View



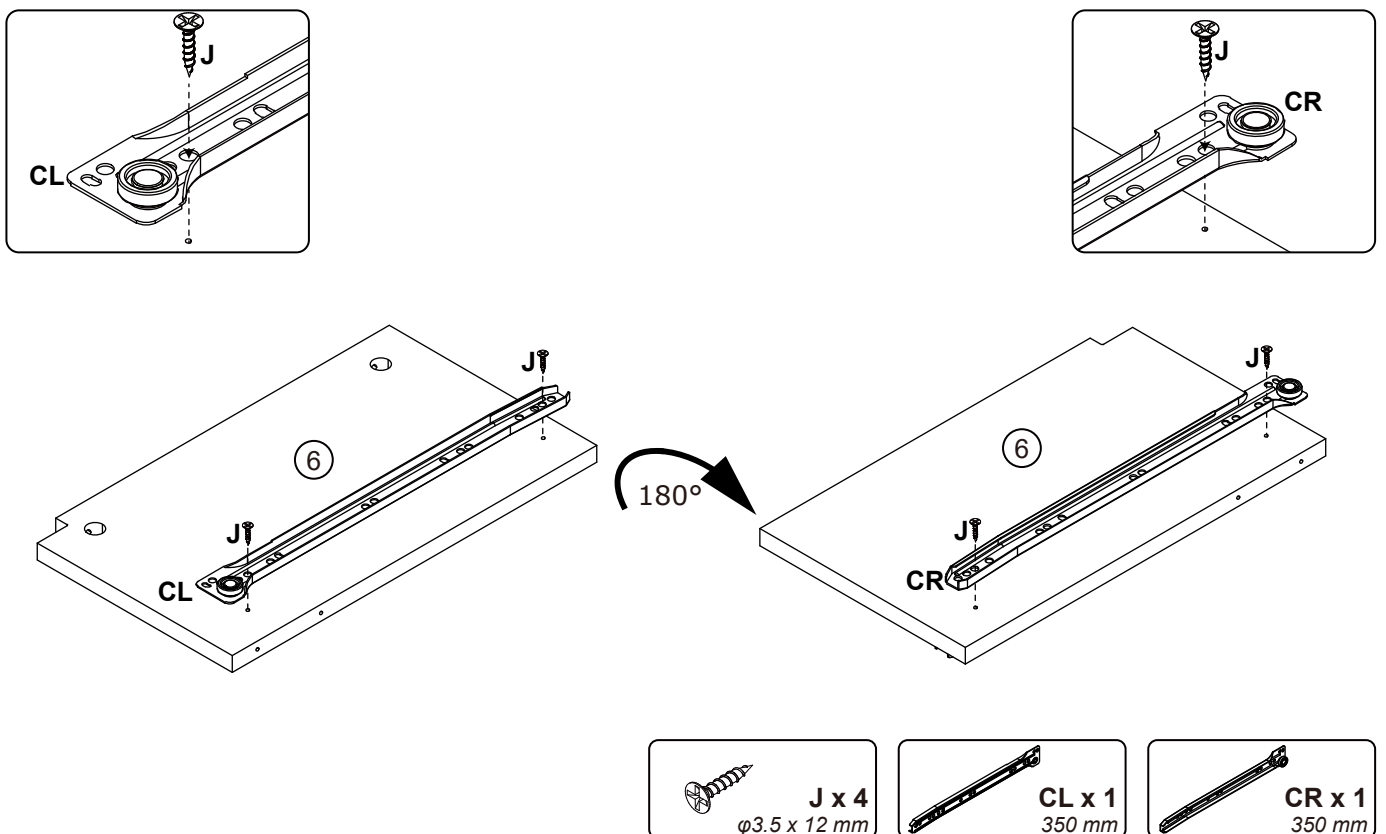
## Fittings

 <b>A x 26</b> M6 x 35 mm	 <b>B x 26</b> φ15 x 9.5 mm	 <b>C x 28</b> φ8 x 30 mm	 <b>D x 5</b> φ4 x 35 mm	 <b>E x 6</b>
 <b>F x 12</b> M4 x 12 mm	 <b>G x 6</b>	 <b>H x 6</b> φ10 x 2 mm	 <b>I x 28</b> φ3 x 12 mm	 <b>J x 38</b> φ3.5 x 12 mm
 <b>K x 12</b> M6 x 11 mm	 <b>L x 8</b> 55.3 x 36 mm	 <b>M x 2</b>	 <b>N x 2</b>	 <b>O x 12</b> φ4 x 30 mm
 <b>P x 4</b> φ4 x 20 mm	 <b>CL x 3</b> 350 mm	 <b>CR x 3</b> 350 mm	 <b>DL x 3</b> 350 mm	 <b>DR x 3</b> 350 mm

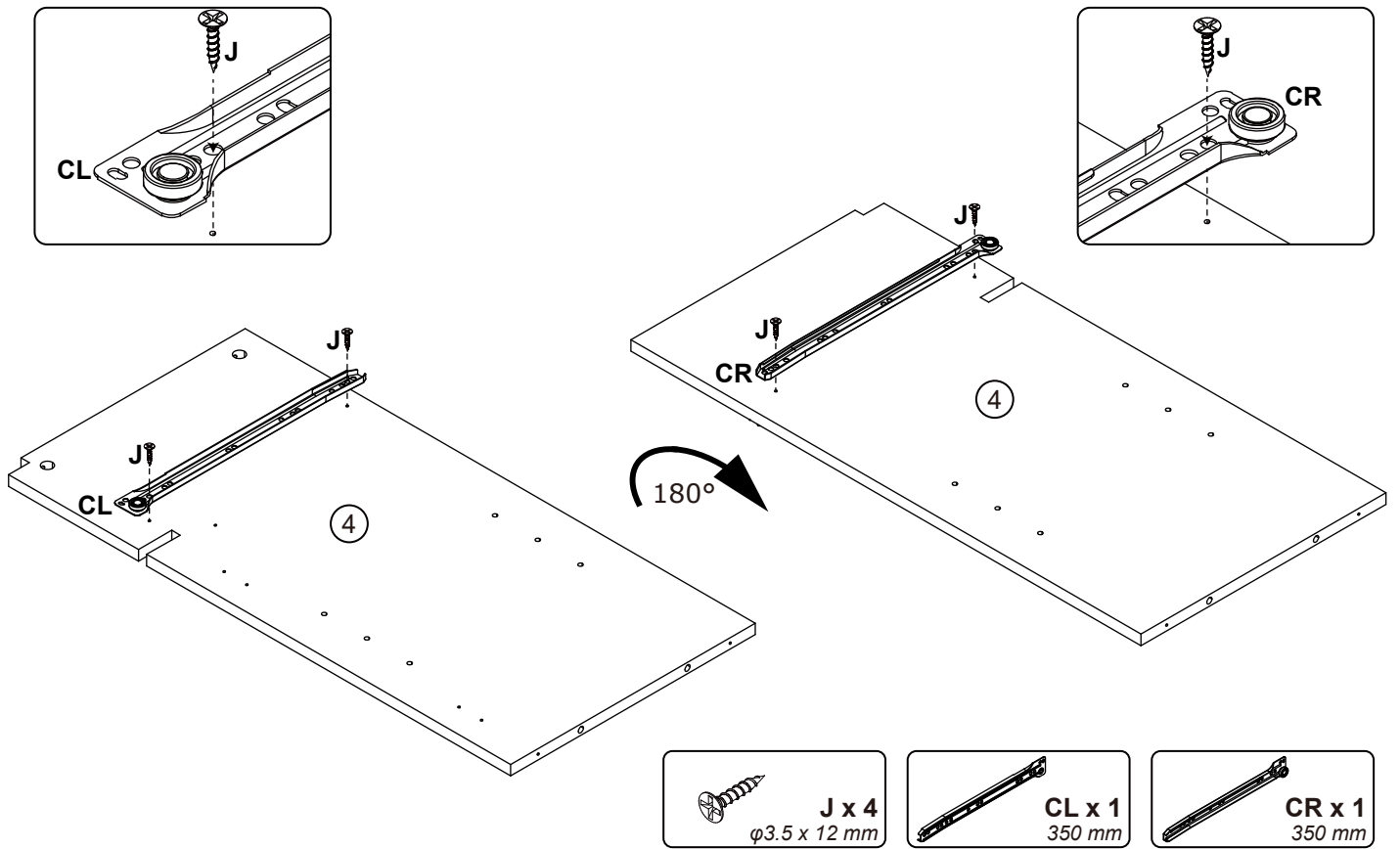
## Step 1



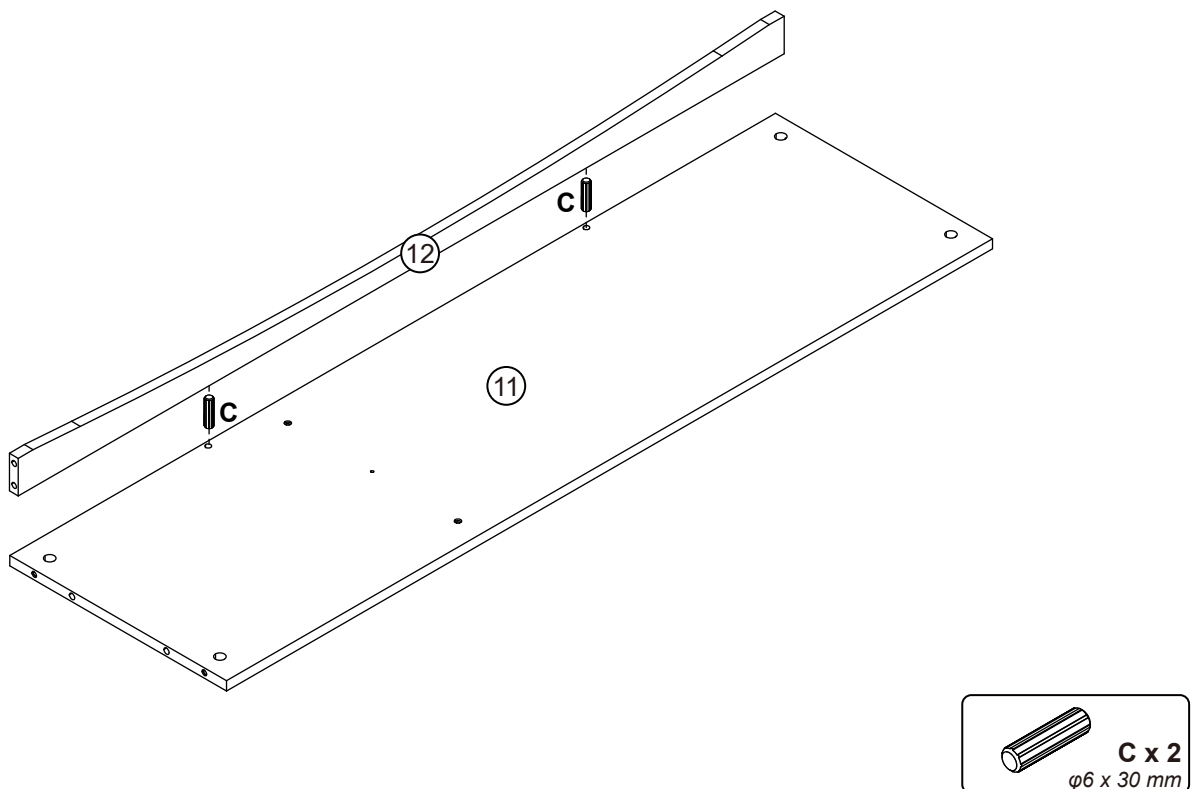
## Step 2



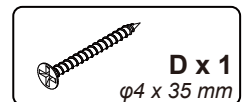
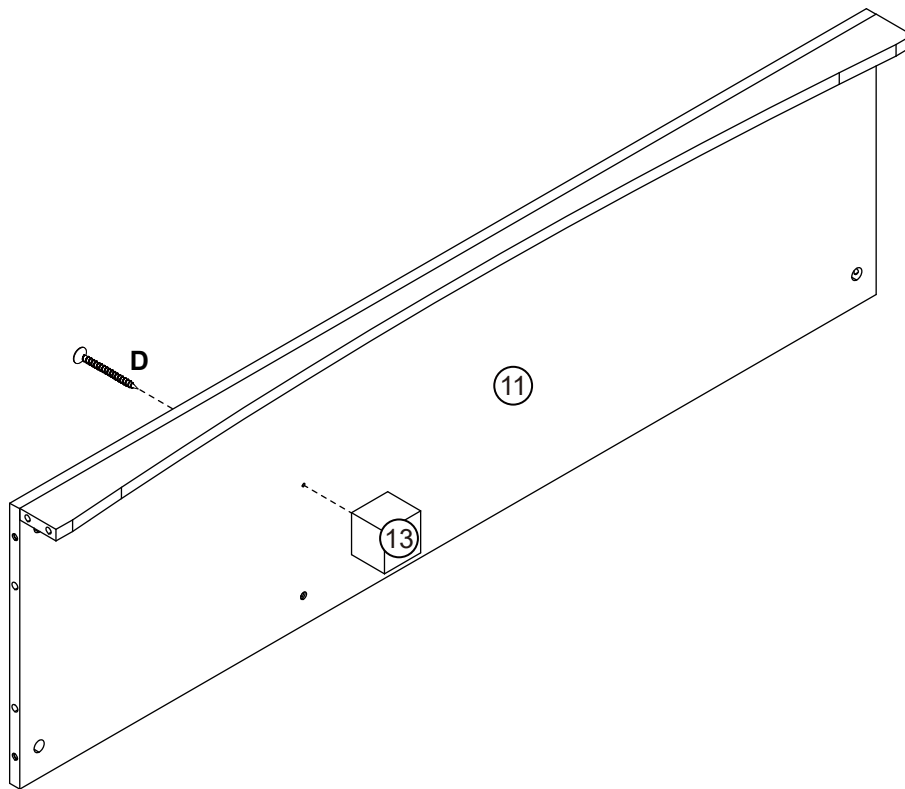
## Step 3



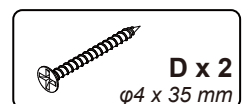
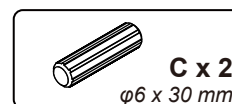
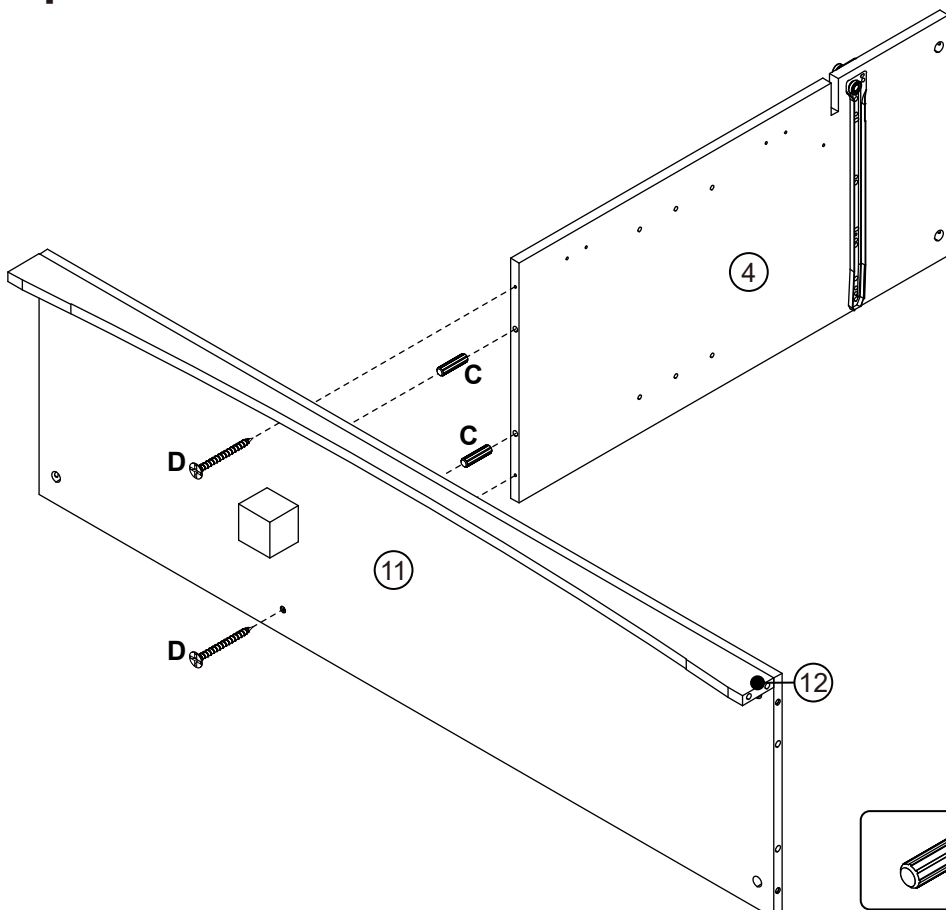
## Step 4



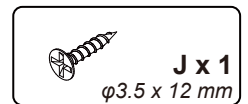
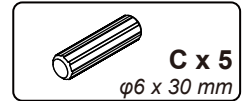
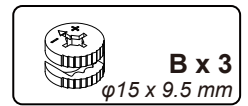
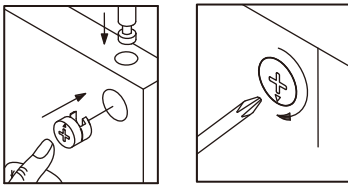
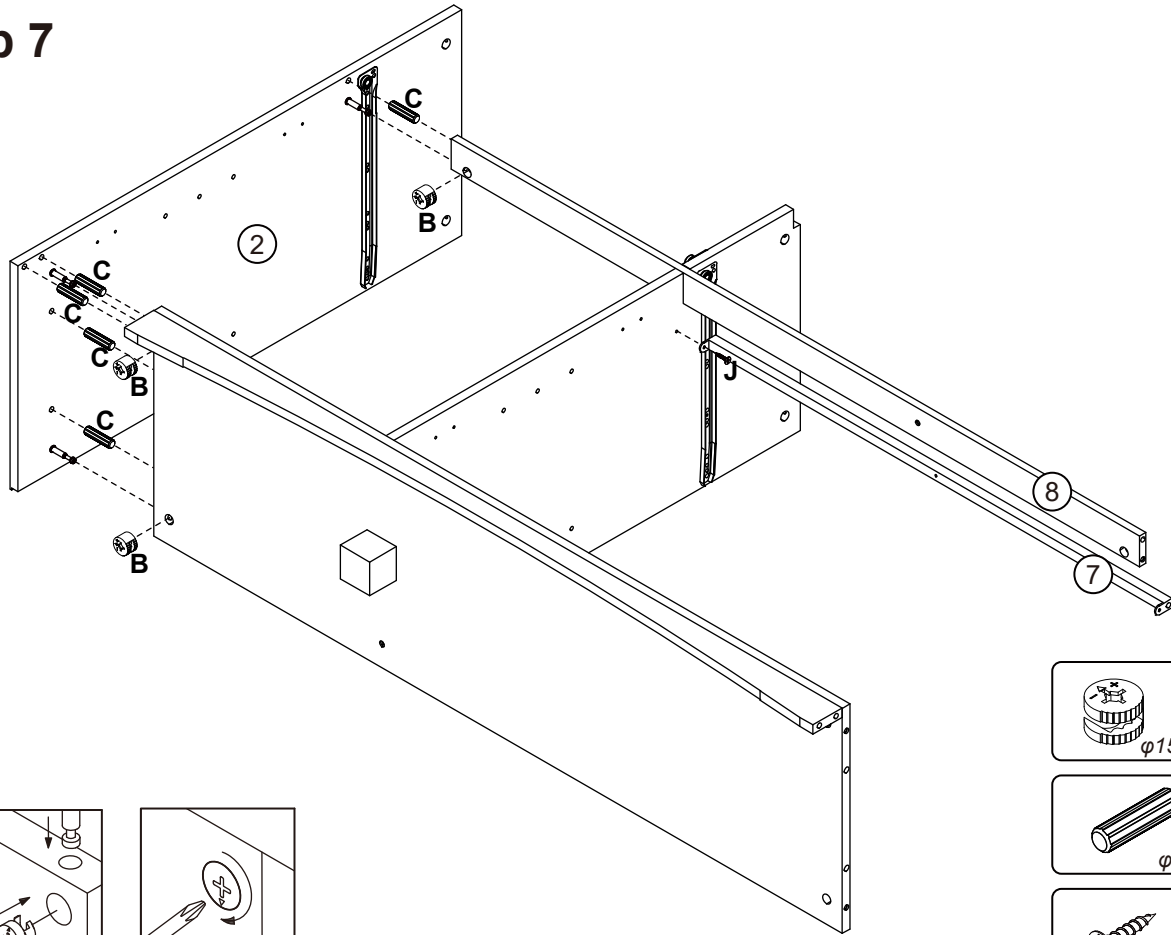
## Step 5



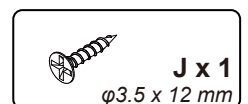
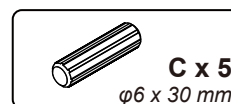
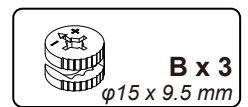
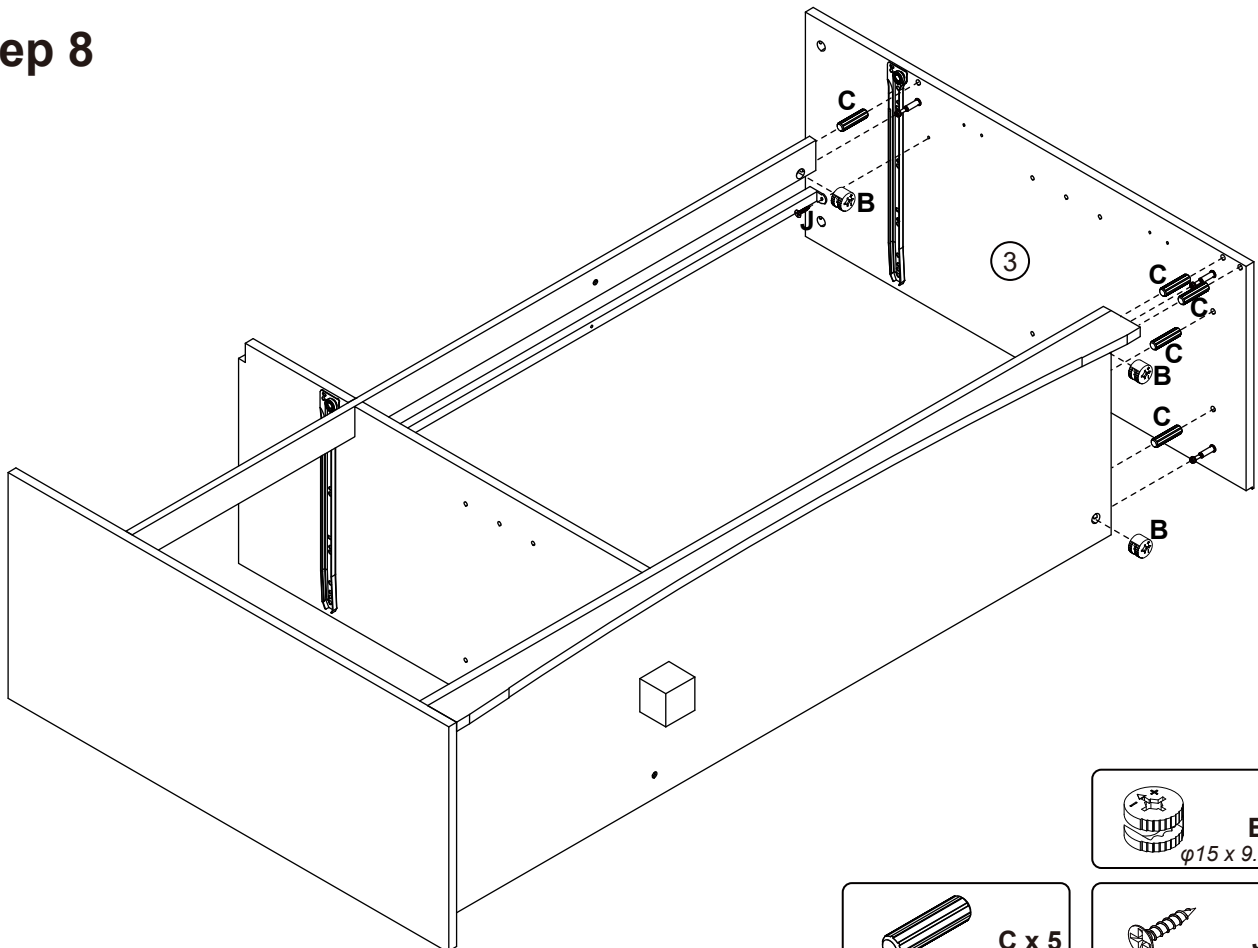
## Step 6



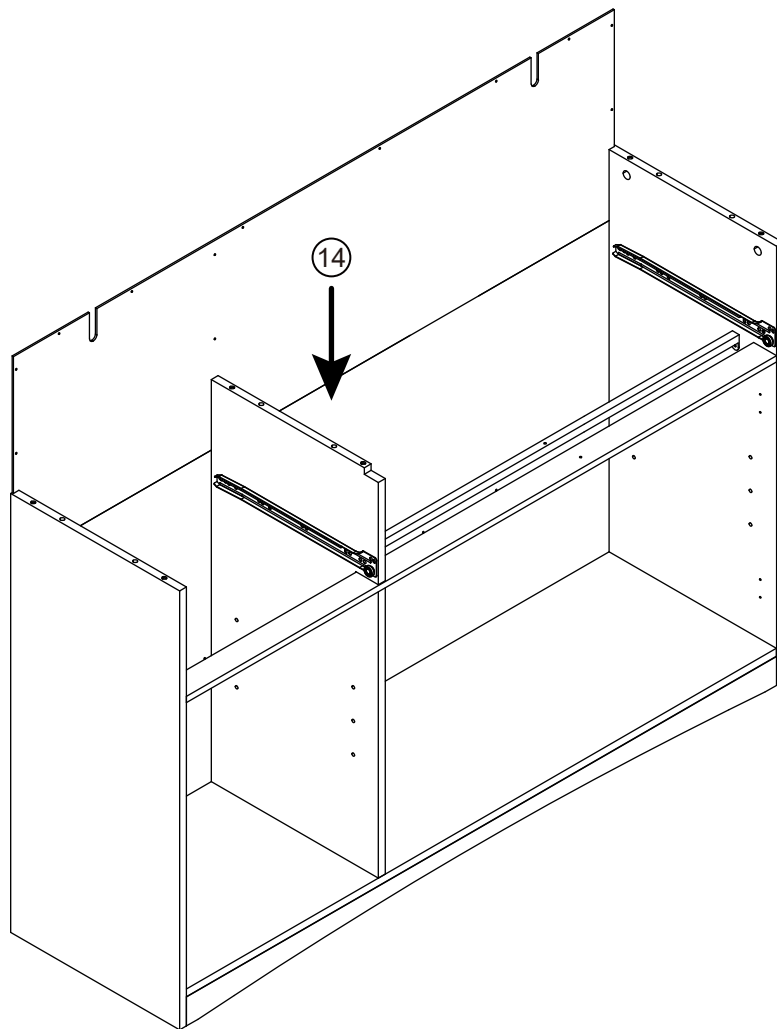
## Step 7



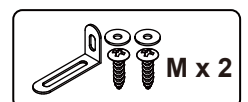
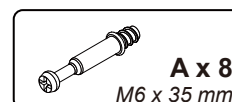
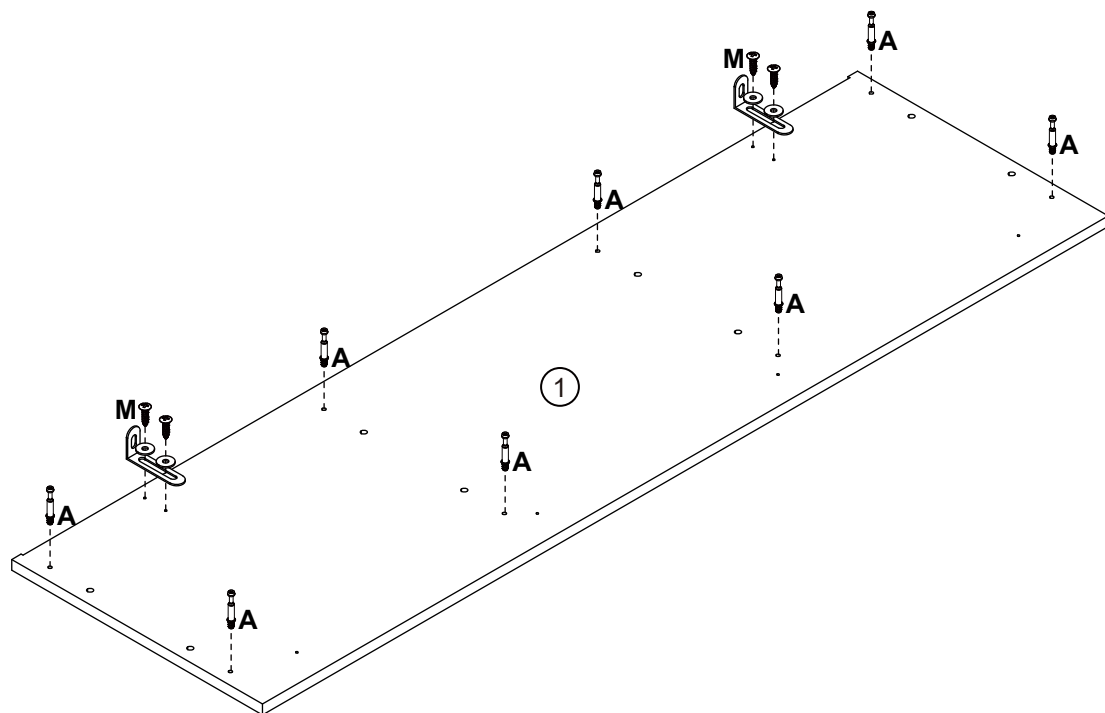
## Step 8



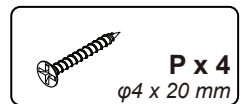
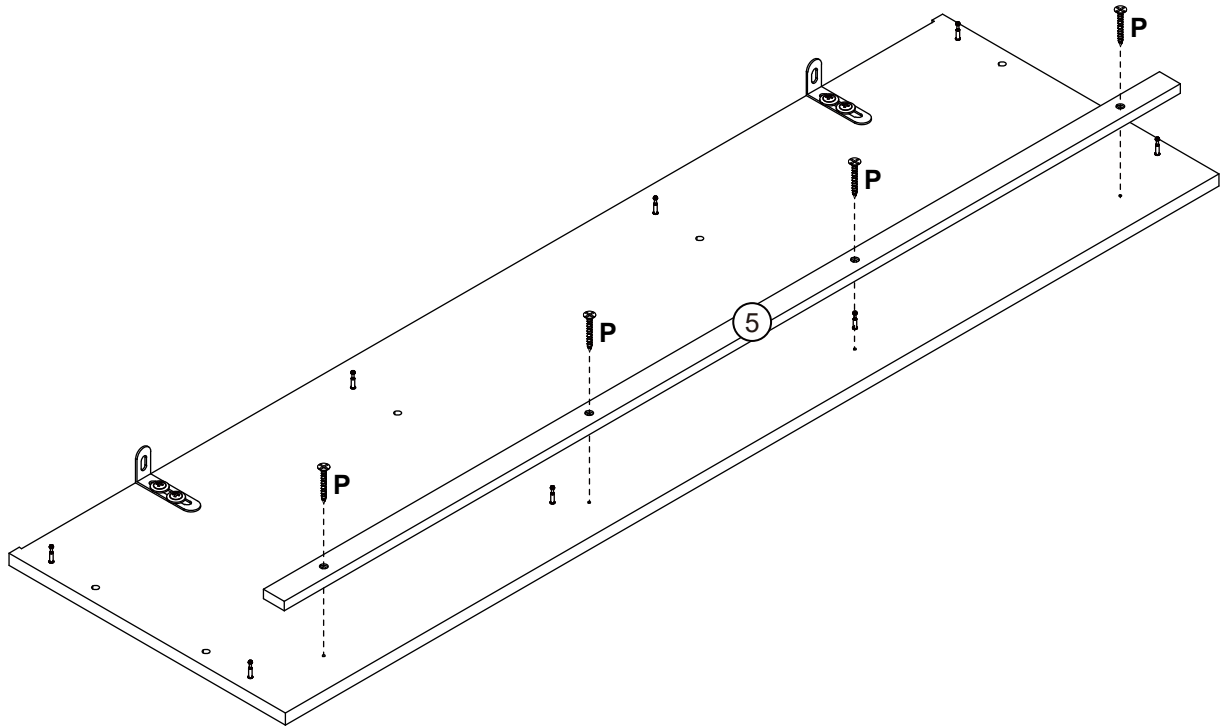
## Step 9



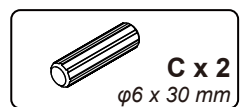
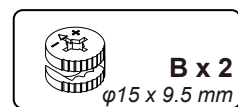
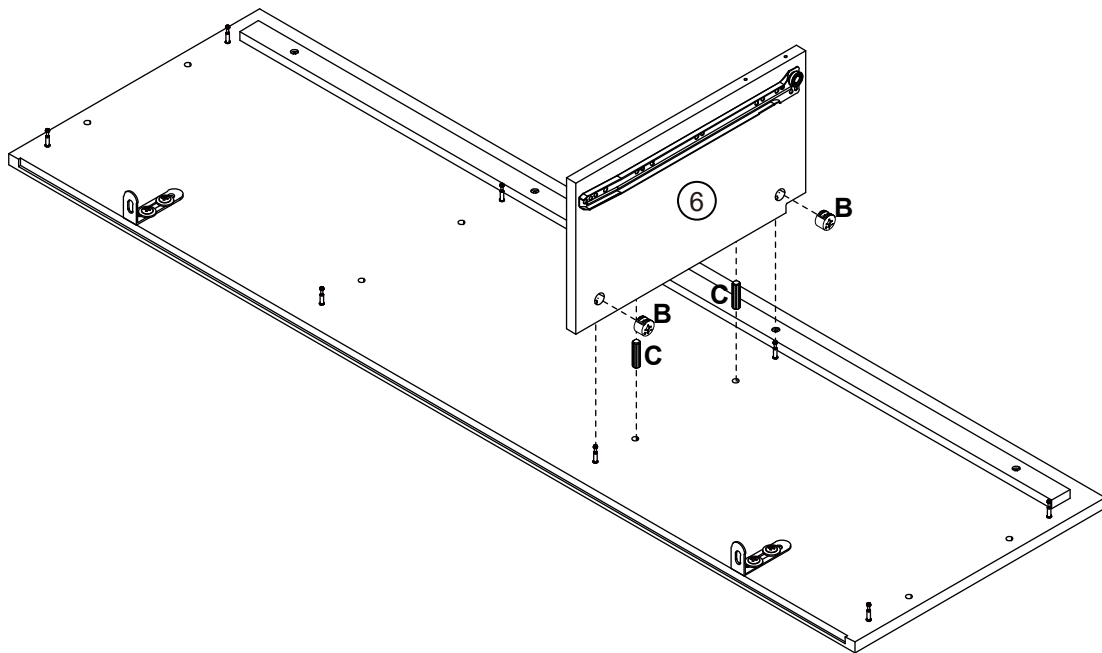
## Step 10



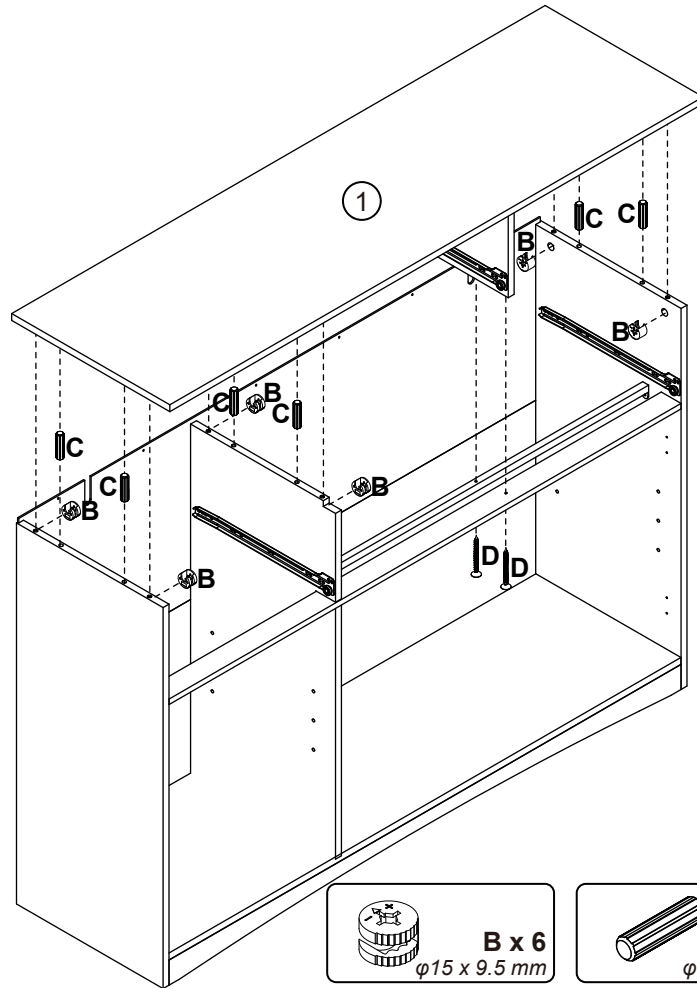
## Step 11



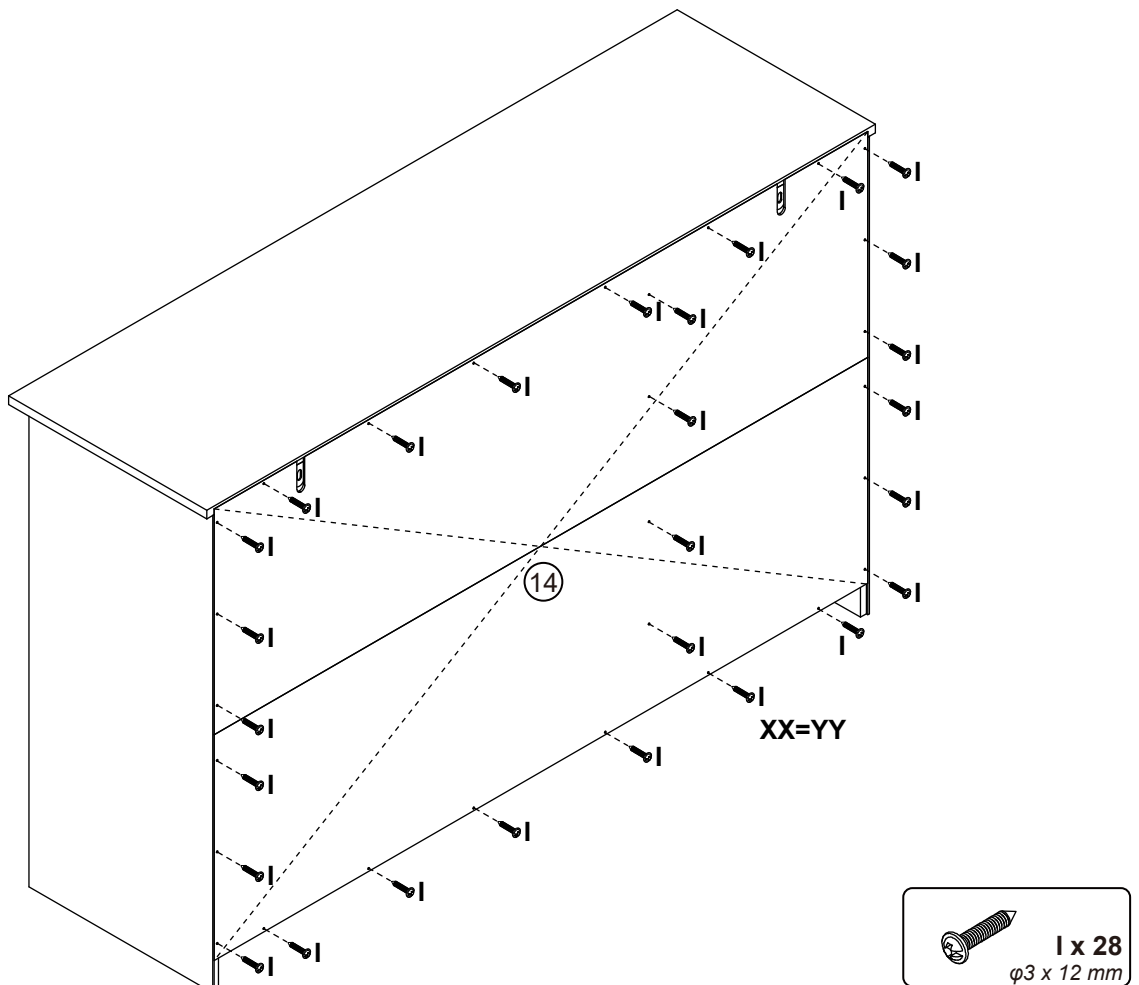
## Step 12



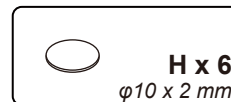
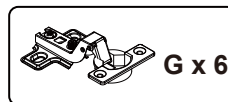
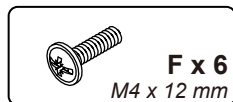
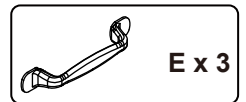
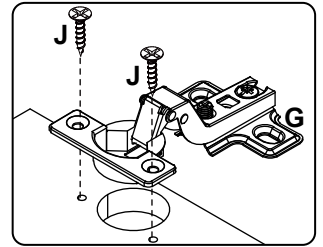
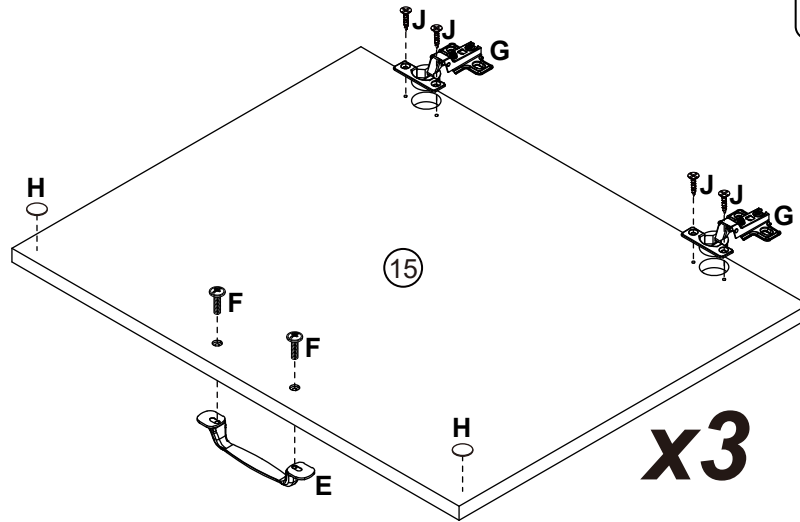
## Step 13



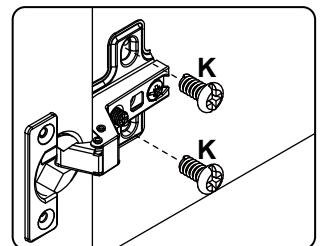
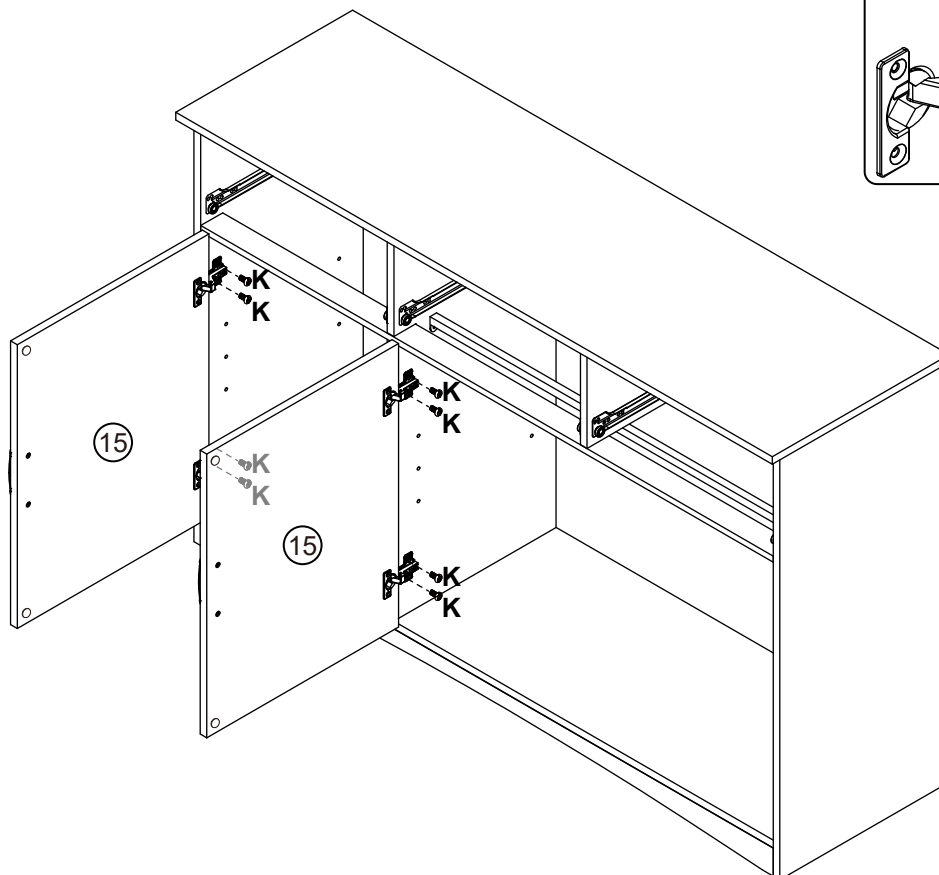
## Step 14



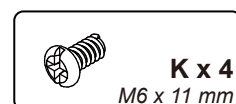
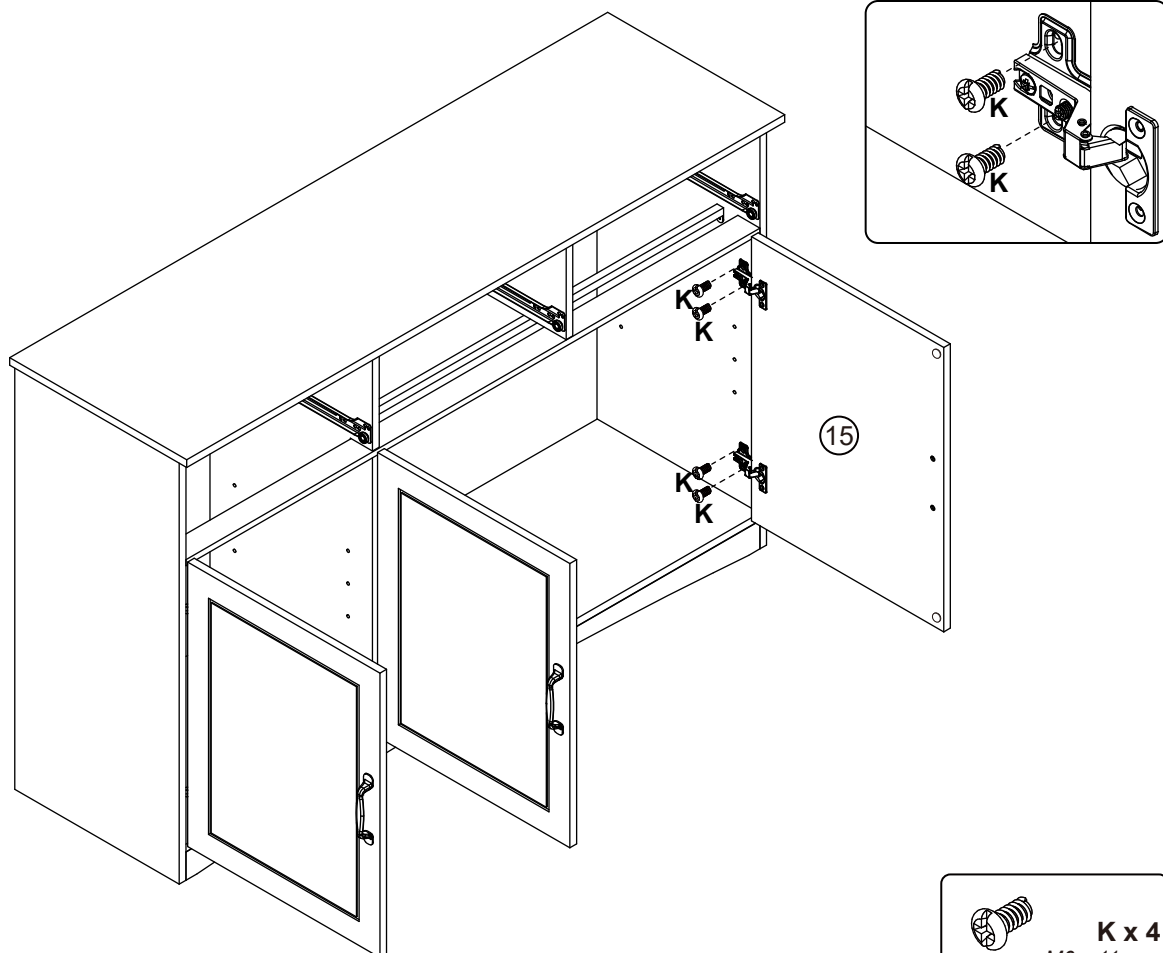
## Step 15



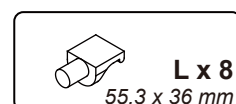
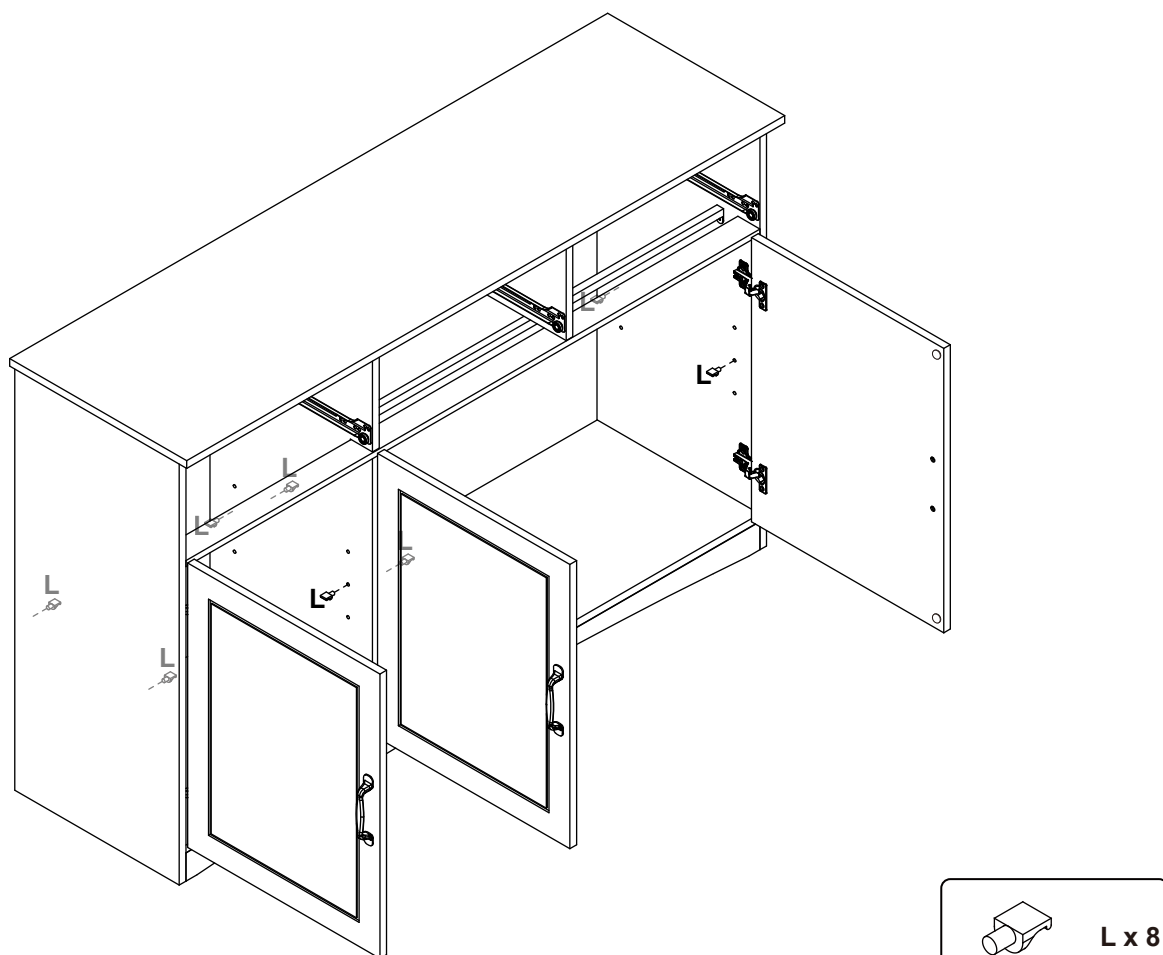
## Step 16



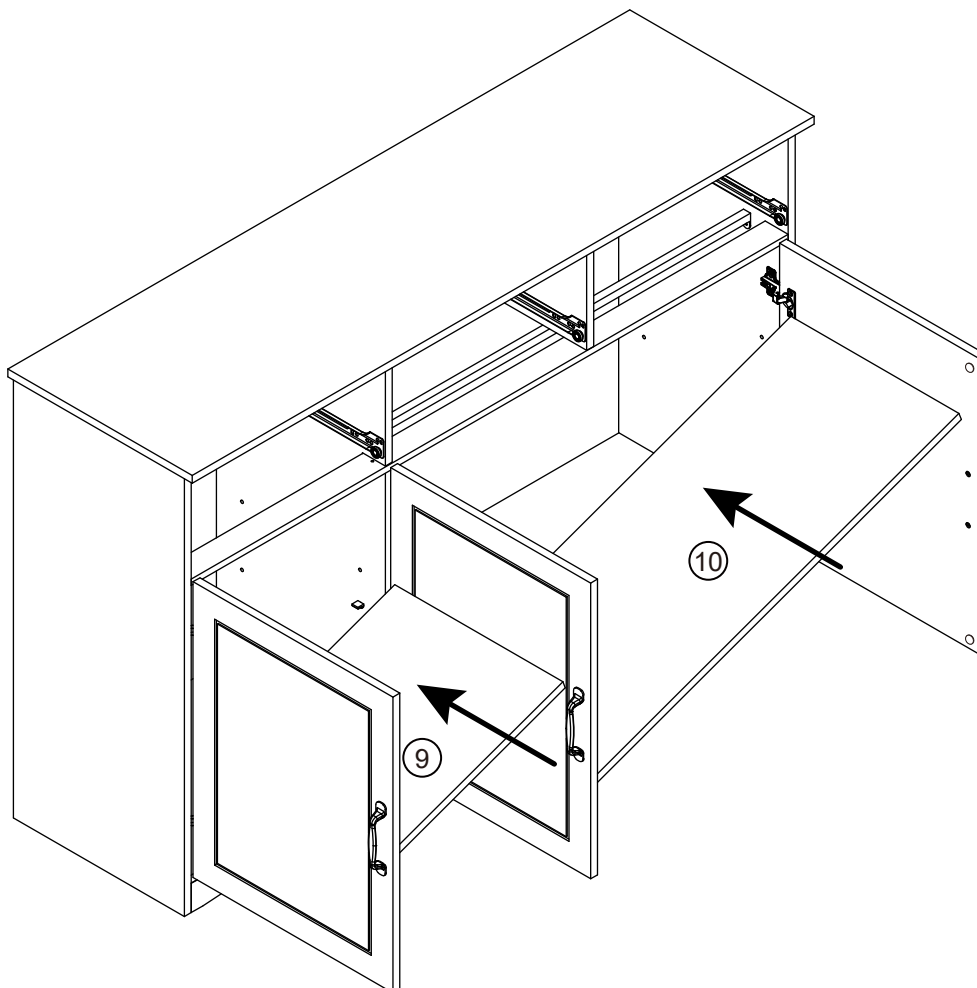
## Step 17



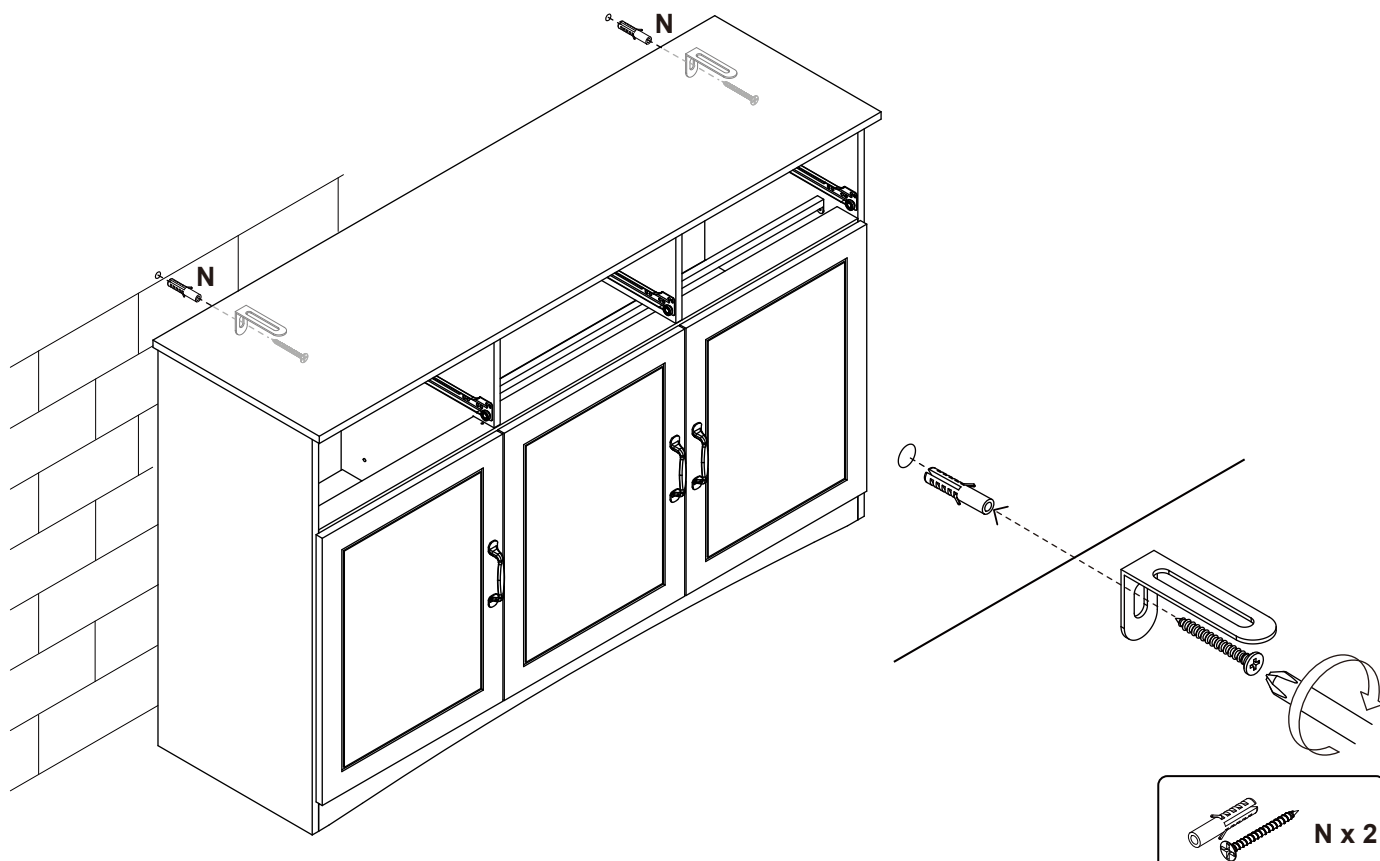
## Step 18



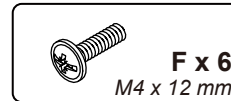
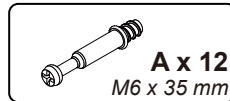
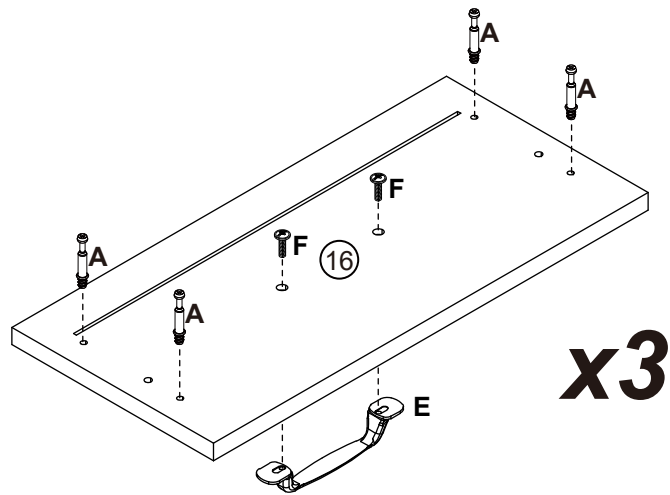
## Step 19



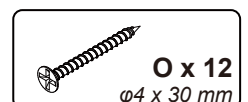
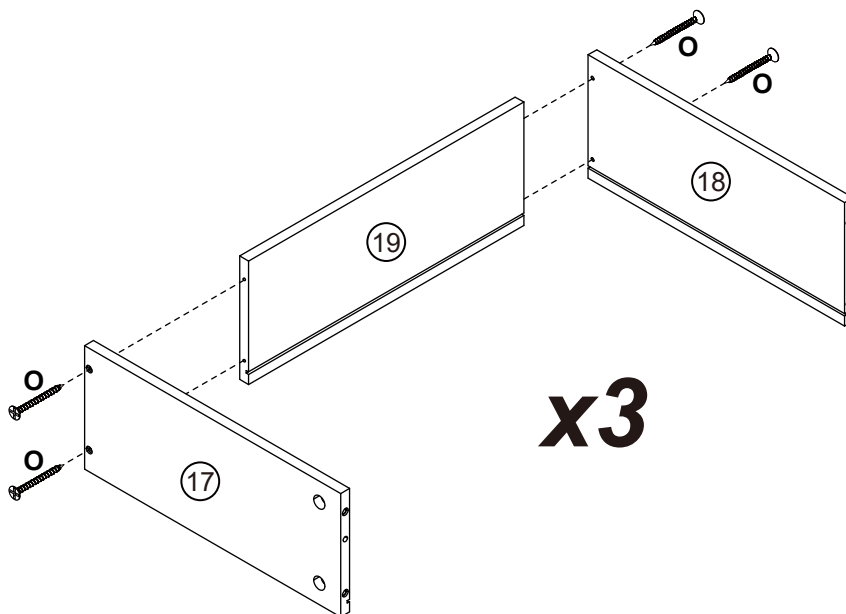
## Step 20



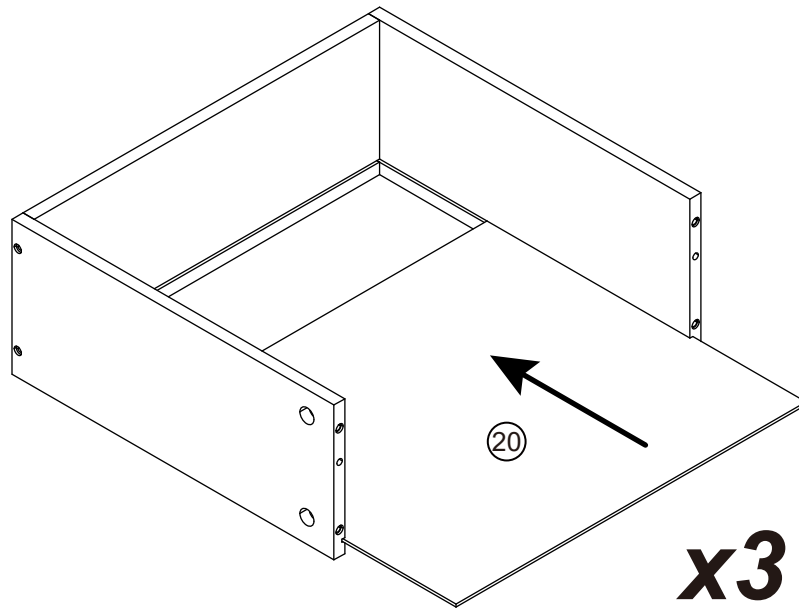
## Step 21



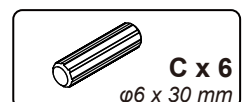
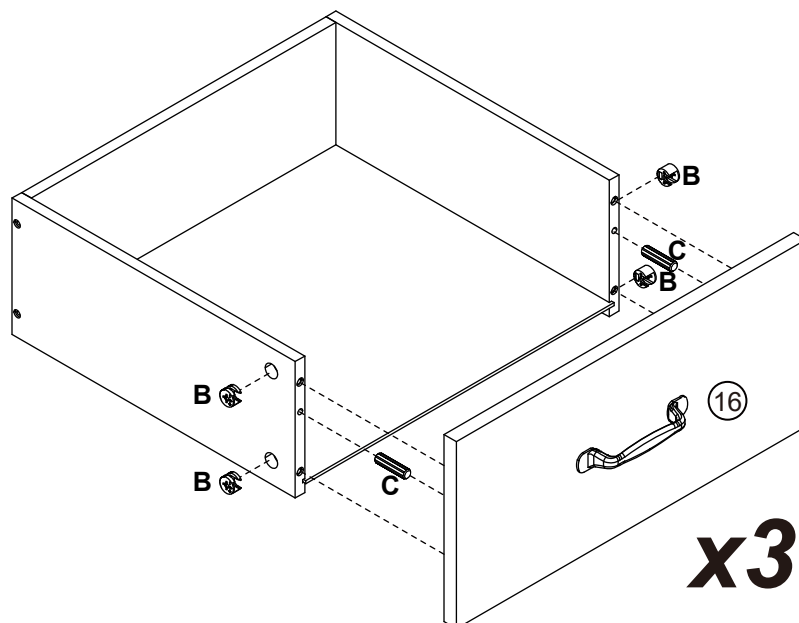
## Step 22



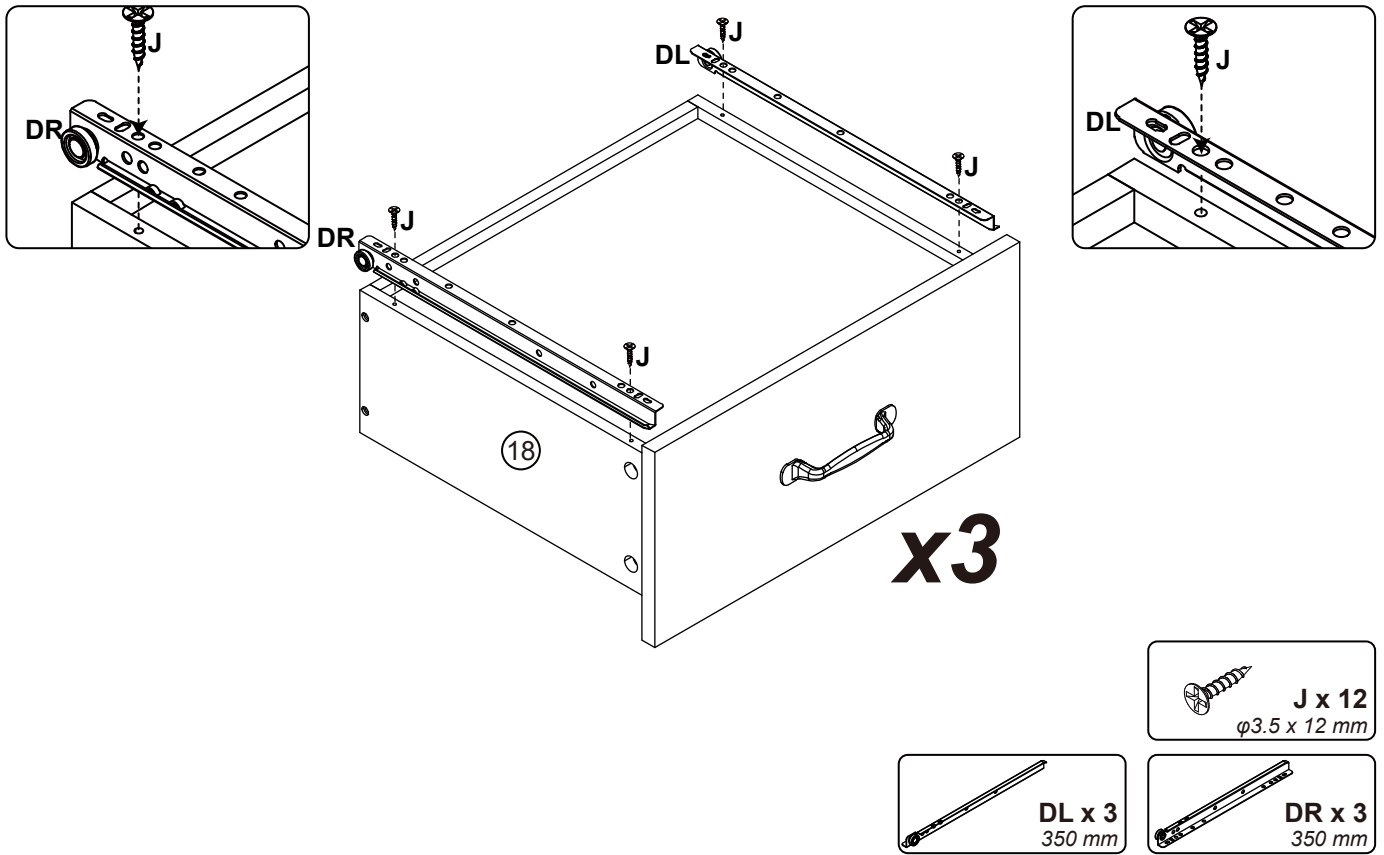
## Step 23



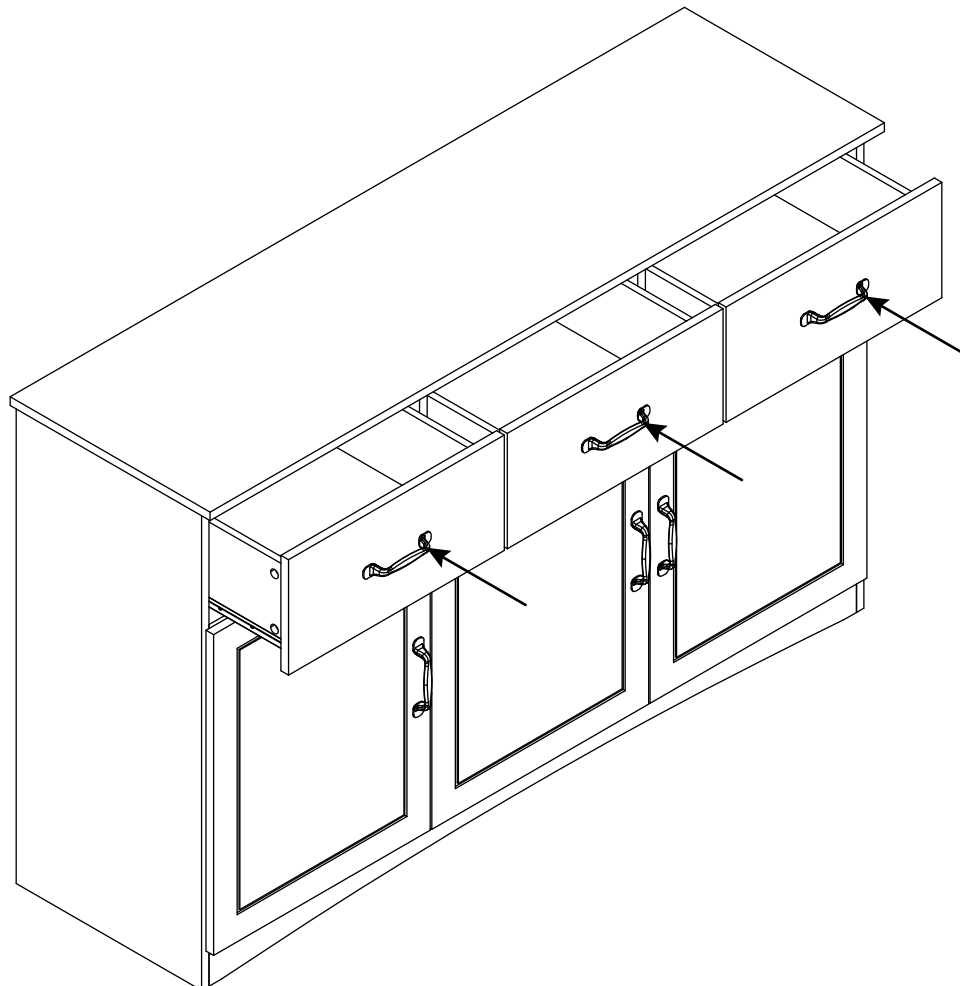
## Step 24



## Step 25



## Step 26

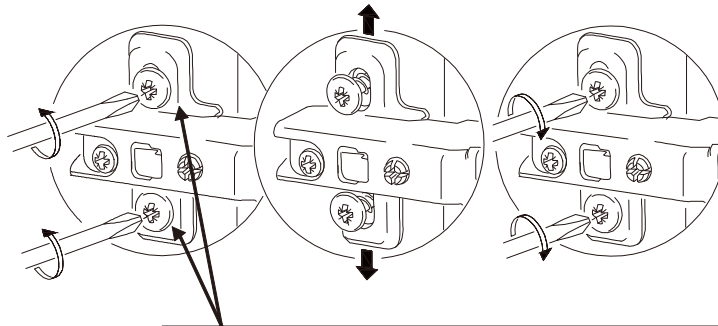
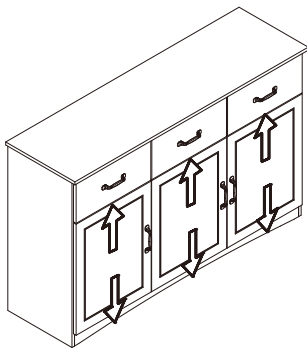


## Step 27



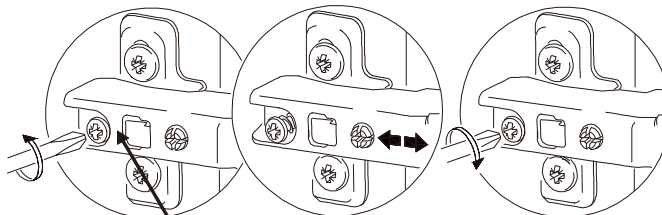
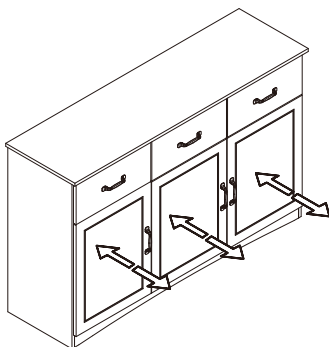
### Customer Attention:

To align doors and control gap in between doors, product doors may need adjusting during and after assembly. This can be done by adjusting appropriate screws. See below illustration.



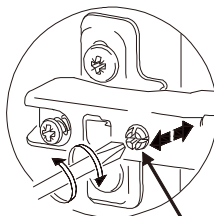
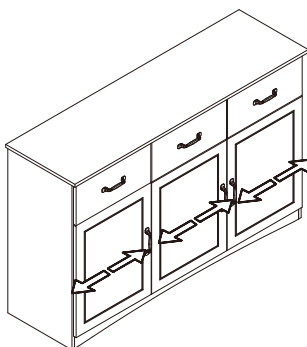
### Vertical Door Adjustment:

Loosen both screws on all hinges and lift the door to the desired height. This allows an even space at the top and bottom between the door and frame.



### Lateral Door Adjustment:

If door is hinge bound, (rubbing on frame as you close or open door) loosening screw shown and move the door in appropriate direction. (In or out)



### Horizontal Door Adjustment:

Rotate screw clockwise or anticlockwise. This will produce an even gap between doors and frame.