



MARQUIS HANGING PLANTER Ø50x26

By JM Ferrero

Marquis, originating from the inspiration of diamond cutting. Its polygonal design recalls facets created through cutting. The clear and stylish shapes make a huge visual impact. Circular or oval, and in 2 combinations of colours, they give a space great dynamism. The continual search to try and come up with something different allows us to create items with a very smart look, that are at the same time surprising due to their geometric designs.

View online: <https://www.vondom.com/products/47086A>

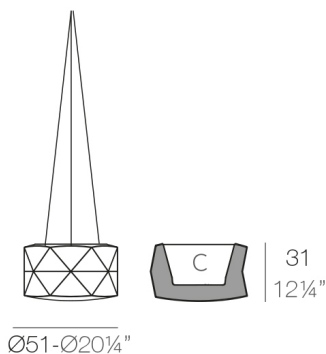
Features

Description

Made of polyethylene resin by rotational moulding. 100% Recyclable. Item suitable for indoor and outdoor use. Available in different finishes.

Weight

4.5 Kg



Ø51-Ø20¼"

MARQUIS Maceta Ø51x31 C = 3 L
MARQUIS Planter Ø20¼"x12¼" C = ¾ gal


FINISHES

BASIC

Ref. 47086A

Matt Polyethylene

- ICE
- WHITE
- BLACK
- BRONZE
- STEEL
- ANTHRACITE
- RED
- PISTACHIO
- ORANGE
- KHAKI
- NAVY
- TAUPE
- PLUM
- ECRU

 BEIGE

SELF-WATERING

Ref. 47086R

Self-watering system included in all planters except those with basic finish

 ICE
 WHITE
 BLACK
 BRONZE
 STEEL
 ANTHRACITE
 RED
 PISTACHIO
 ORANGE
 KHAKI
 NAVY
 TAUPE
 PLUM
 ECRU
 BEIGE

LACQUERED

Ref. 47086F

Lacquered Polyethylene

 WHITE
 BLACK
 BRONZE
 STEEL
 ANTHRACITE
 RED
 PISTACHIO
 ORANGE
 KHAKI
 NAVY
 TAUPE
 PLUM
 ECRU
 BEIGE
 CHAMPANY